

# Always here to help you

Register your product and get support at  
[www.philips.com/welcome](http://www.philips.com/welcome)

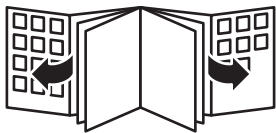
Question?  
Contact  
Philips

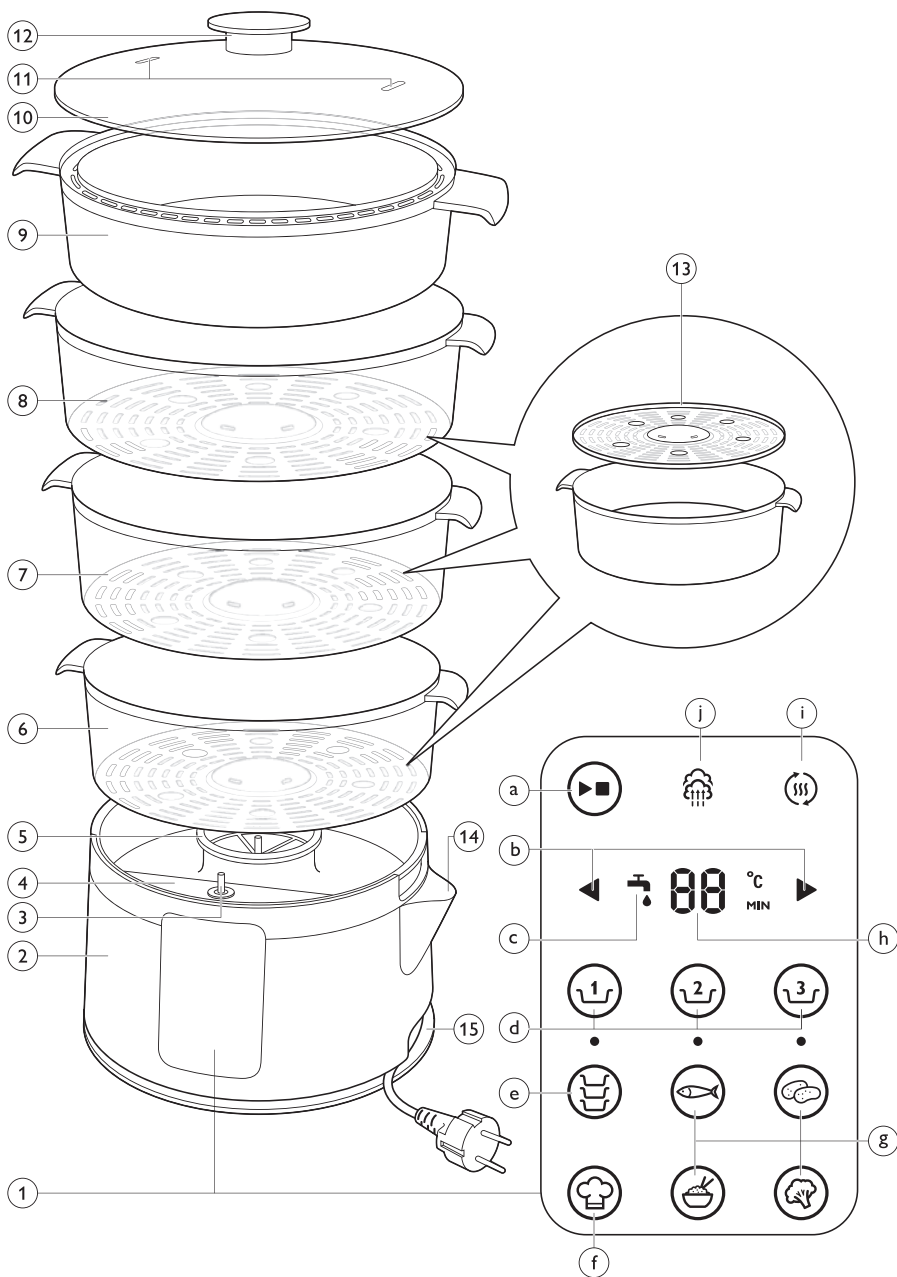
HD9190  
HD9189



## User manual

# PHILIPS







<b>ENGLISH</b>	<b>6</b>
<b>БЪЛГАРСКИ</b>	<b>18</b>
<b>ČEŠTINA</b>	<b>32</b>
<b>EESTI</b>	<b>44</b>
<b>HRVATSKI</b>	<b>56</b>
<b>MAGYAR</b>	<b>68</b>
<b>ҚАЗАҚША</b>	<b>80</b>
<b>LIETUVIŠKAI</b>	<b>93</b>
<b>LATVIEŠU</b>	<b>105</b>
<b>POLSKI</b>	<b>117</b>
<b>ROMÂNĂ</b>	<b>130</b>
<b>РУССКИЙ</b>	<b>143</b>
<b>SLOVENSKY</b>	<b>157</b>
<b>SLOVENŠČINA</b>	<b>169</b>
<b>SRPSKI</b>	<b>181</b>
<b>УКРАЇНСЬКА</b>	<b>193</b>

## Introduction

Congratulations on your purchase and welcome to Philips! To fully benefit from the support that Philips offers, register your product at [www.philips.com/welcome](http://www.philips.com/welcome).

## General description (Fig. 1)

- 1 Control panel with display and buttons
  - a Start/stop and pause button
  - b Timer up and down button
  - c 'Water tank empty' light
  - d Steaming basket buttons (1, 2, 3)
  - e Meal program button
  - f Chef program button
  - g Preset buttons of chef program (fish, potatoes, rice, green vegetables)
  - h Timer indication
  - i 'Keep-warm' light
  - j Turbo light
- 2 Base with water tank
- 3 Temperature sensor
- 4 Drip tray
- 5 Aroma infuser
- 6 Small steaming basket (1)
- 7 Medium steaming basket (2)
- 8 Large steaming basket (3)
- 9 Soup bowl (HD9190 only)
- 10 Lid
- 11 Steam vents
- 12 Lid handle
- 13 Removable bottom
- 14 Water refill spout
- 15 Cord storage facility

*Note: The steaming baskets are numbered from 1 to 3. You find the numbers of the steaming baskets on their handles. You can stack any larger basket on top of a smaller basket, but the baskets fit best if you stack them in logical ascending order: the smallest basket (1) first, then the medium basket (2) and then the large basket (3).*

*Note for HD9190: The soup bowl can best be used in combination with the large basket (3).*

*Note: Always use the drip tray under the steaming baskets and only use steaming baskets that are filled with food.*

## Important

Read this user manual carefully before you use the appliance and save it for future reference.

### Danger

- Never immerse the base in water or rinse it under the tap.

### Warning

- Check if the voltage indicated on the appliance corresponds to the local mains voltage before you connect the appliance.

- Only connect the appliance to an earthed wall socket. Always make sure the plug is inserted firmly into the socket.
- This appliance is not intended to be operated by means of an external timer or a separate remote-control system.
- Do not use the appliance if the plug, the mains cord or the appliance itself is damaged.
- If the mains cord is damaged, you must have it replaced by Philips, a service centre authorised by Philips or similarly qualified persons in order to avoid a hazard.
- This appliance is not intended for use by persons (including children) with reduced physical, sensory or mental capabilities, or lack of experience and knowledge, unless they have been given supervision or instruction concerning use of the appliance by a person responsible for their safety.
- Children should be supervised to ensure that they do not play with the appliance.
- Keep the mains cord out of the reach of children. Do not let the mains cord hang over the edge of the table or worktop on which the appliance stands.
- Keep the mains cord away from hot surfaces.
- Always fully unwind the mains cord from the reel in the base before you plug in the appliance.
- Never steam frozen meat, poultry or seafood. Always thaw these ingredients completely before you steam them.
- Never use the food steamer without the drip tray, otherwise hot water may splash out of the appliance.
- Only use the steaming baskets and the soup bowl (HD9190 only) in combination with the original base.

### **Caution**

- This appliance is intended for normal household use only. It is not intended for use in environments such as staff kitchens of shops, offices, farms or other work environments. Nor is it intended to be used by clients in hotels, motels, bed and breakfasts and other residential environments.
- If the appliance is used improperly or for professional or semi-professional purposes or if it is not used according to the instructions in the user manual, the guarantee becomes invalid and Philips refuses any liability for damage caused.

## 8 ENGLISH

- Never use any accessories or parts from other manufacturers or that Philips does not specifically recommend. If you use such accessories or parts, your guarantee becomes invalid.
- Do not expose the base of the appliance to high temperatures, hot gas, steam or damp heat from other sources than the steamer itself. Do not place the food steamer on or near an operating or still hot stove or cooker.
- Do not place the operating appliance near or underneath objects that would be damaged by steam, such as walls and cupboards.
- Do not operate the appliance in the presence of explosive and/or flammable fumes.
- Place the food steamer on a stable, horizontal and level surface and make sure there is at least 10cm free space around it to prevent overheating.
- Always place the removable bottoms into the steaming baskets from the top. To position the bottoms correctly, first lower one side into the basket and then the other side, until the bottom snaps into place ('click'). Make sure the bump in the bottom faces upwards. (Fig. 2)
- Beware of the hot steam that comes out of the food steamer during steaming, in the keep-warm mode or when you remove the lid. When you check food, always use kitchen utensils with long handles.
- Do not reach over the food steamer while it is operating.
- Do not touch the hot surfaces of the appliance. Always use oven mitts when you handle hot parts of the appliance.
- Do not move the food steamer while it is operating.
- Always remove the lid carefully and away from you. Let condensation drip off the lid into the food steamer to avoid scalding.
- Always hold the steaming basket by the handles when the food is hot.
- Do not empty the water tank through the water refill spout. To empty the water tank tilt the base backwards and pour the water from the back of the base (Fig. 3).
- Always unplug the appliance and let it cool down before you clean it.

### **Automatic shut-off**

The appliance is equipped with automatic shut-off. The appliance switches off automatically if you do not press a button within 2 minutes after plugging in the appliance. The appliance also switches off automatically after the set steaming time (including keep-warm time) has elapsed.

### **Boil-dry protection**

This food steamer is equipped with boil-dry protection. The boil-dry protection automatically switches off the heating element when there is no water in the water tank or if the water runs out during use. Fill the water tank with cold water up to the MAX indication to use the appliance again.



## Electromagnetic fields (EMF)

This Philips appliance complies with all standards regarding electromagnetic fields (EMF). If handled properly and according to the instructions in this user manual, the appliance is safe to use based on scientific evidence available today.

### Before first use

- 1 Thoroughly clean the parts that come into contact with food before you use the appliance for the first time (see chapter 'Cleaning and maintenance').
- 2 Wipe the inside of the water tank with a damp cloth.

### Preparing for use

- 1 Put the appliance on a stable, horizontal and level surface.
- 2 Fully unwind the mains cord from the reel in the base before you plug in the appliance.
- 3 Fill the water tank with water up to the MAX indication (Fig. 4).
  - ▶ When the water tank is filled up to the MAX indication, the steamer can steam for approx. 60 minutes.

Do not fill the water tank beyond the MAX indication.

Only fill the water tank with water. Never put seasoning, oil or other substances in the water tank.

- 4 Place the drip tray on the water tank in the base (Fig. 5).

*Note: Never use the appliance without the drip tray and do not pour water, seasoning, oil or other substances in the drip tray.*

- 5 Place the Aroma Infuser on the drip tray if you want to add extra flavour to the food to be steamed. (Fig. 6)

- Fill the Aroma Infuser with fresh or dried herbs.
- For suggested herbs or spices for various types of food, see the food steaming table in chapter 'Food table and steaming tips'.

- 6 Put the food to be steamed in one or more steaming baskets and/or in the soup bowl (HD9190 only). (Fig. 7)

- Always place the removable bottoms into the steaming baskets from the top. To position the bottoms correctly, first lower one side into the basket and then the other side, until the bottom snaps into place ('click'). Make sure the bump in the bottom faces upwards (Fig. 2).
- Do not put too much food in the steaming baskets. Leave some space between the pieces of food and evenly distribute the food over the bottom of the basket.
- HD9189 only: To cook rice, you can use a lightweight bowl that fits inside the steaming baskets. Make sure that there is some free space around the bowl to allow proper steam circulation inside the steamer.
- Place larger pieces of food and food that requires a longer steaming time in the bottommost steaming basket (1).
- Put eggs on the egg holders to steam eggs conveniently (Fig. 8).
- To steam large-sized foods (e.g. whole chickens, corn cobs), you can remove the removable bottoms from the medium steaming basket (2) and the large steaming basket (3) to create one large basket.

*Note: The maximum capacity of the steaming baskets is 1kg.*

**7** Put one or more steaming baskets on the drip tray. Place the baskets properly and make sure they do not wobble (Fig. 9).

- You do not have to use all 3 steaming baskets.
- The steaming baskets are numbered from 1 to 3. You find the numbers of the steaming baskets on their handles. You can stack any larger basket on top of a smaller basket, but the baskets fit best if you stack them in logical ascending order: the smallest basket (1) first, then the medium basket (2) and then the large basket (3). Always use the drip tray under the steaming baskets and only use steaming baskets that are filled with food (Fig. 10).
- HD9190 only: The soup bowl is intended for preparing soup, other liquid food and fish. When you want to use the soup bowl, put it in the large steaming basket (3) (Fig. 11).
- HD9190 only: When you take out the removable bottom from the large steaming basket (3) to create a larger basket with the medium steaming basket (2) underneath, you can still place the soup bowl to prepare fish, rice or soup on top (Fig. 12).
- When you take out the removable bottom from the medium steaming basket (2) to create a larger basket with the small steaming basket (1) underneath, you can still place the large steaming basket (3) on top.

**8** Put the lid on the top steaming basket (Fig. 13).

*Note: If the lid is not or not correctly placed on the steaming basket, the food does not get steamed properly.*

### Using the appliance

The steamer has two steaming modes:

- 1 Manual mode to quickly activate the steamer.
- 2 Program mode:
  - Meal program: to prepare a complete meal with different preparation times for each basket.
  - Chef program with preset buttons: to prepare food with predefined preparation times and temperatures.

See the separate sections below for more information on how to use these modes.

#### General procedure

The following steps are general steps that apply to all three steaming modes.

**1** Put the plug in the wall socket.

▶ The light in the on/off button goes on and the default steaming time (20 minutes) appears on the display (Fig. 14).

**2** Choose one of the two steaming modes and follow the required steps (see the sections for the different steaming modes below).

*Note: You cannot use both steaming modes at the same time. Nor is it possible to use the meal program and chef program at the same time.*

*Note: If you steam large quantities of food, stir the food halfway through the steaming process with a kitchen utensil with a long handle. Make sure you wear oven mitts.*

*Note: During the first 5 minutes of the steaming process, the turbo light lights up. This indicates that the steamer uses extra power to heat up quickly.*

**3** When the steaming process has finished, the appliance beeps 5 times and then automatically switches to the keep-warm mode (see section 'Keep-warm mode').

**4** After use, carefully remove the lid.

Beware of hot steam that comes out of the appliance when you remove the lid.

*Note: To prevent burns, wear oven mitts when you remove the lid. Remove the lid slowly and away from you. Let condensation drip off the lid into the steaming basket.*

*Note: Use a kitchen utensil with long handles to remove the food from the steaming baskets.*

- 5** When you remove a steaming basket, let condensation drip off the basket in the underlying steaming basket or the drip tray.
- 6** Remove the plug from the wall socket and let the steamer cool down completely before you remove the drip tray.
- 7** Empty the water tank after each use by tilting the base backwards and pouring the water from the back of the base (Fig. 3).

Be careful when you remove the drip tray and empty the water tank, because the water in both of them may still be hot, even if the other parts of the appliance have cooled down already.

*Note: If the water runs out during steaming, the 'water tank empty' light goes on to indicate that you need to refill the water tank (Fig. 15).*

*Note: If you want to steam more food and need more water, you can add small quantities of water through the water refill spout to refill the water tank.*

*Note: The appliance automatically goes into the standby mode if it has not been used for 2 minutes. Press the start/stop button to activate the control panel again.*

## Manual mode

---

Use this mode to activate the steamer quickly.

- 1** Press the timer up or down button to select the required steaming time (Fig. 16).
- 2** Press the start/stop button to start steaming (Fig. 17).
  - ▶ The steaming process starts. The start/stop light and the turbo light flash slowly and the timer counts down the set steaming time (Fig. 18).
  - ▶ When the set steaming time has elapsed, the appliance beeps and switches to the keep-warm mode. The keep-warm light goes on (Fig. 19).

## Program mode: meal program

---

Use this program to prepare a complete meal with different preparation times for each steaming basket. The appliance automatically starts to steam the food in the steaming basket with the longest preparation time and beeps to let you know when to place the steaming basket or baskets with a shorter preparation time. The last steaming basket has the lowest preparation time.

*Note: If you want to prepare a meal without using all three steaming baskets, only set the timer for the steaming baskets you are using.*

- 1** Press the meal program button. (Fig. 20)
  - ▶ The light in the meal program button goes on and the three steaming basket buttons light up (Fig. 21).
- 2** Press steaming basket button 1, 2 or 3 to select one of the steaming baskets. (Fig. 22)
  - ▶ The corresponding light starts to flash.
- 3** Press the timer up and down buttons to set the required preparation time for the steaming basket you selected. (Fig. 23)
- 4** Press the steaming basket button you are setting the time for again to confirm. (Fig. 24)
  - ▶ The dot below the steaming basket button goes on to indicate that the time has been set.
- 5** Repeat steps 2 to 4 until you have set the time for all steaming baskets you want to use.

- 6** Put the ingredients in the steaming baskets. When you use all three steaming baskets, put the food with the longest preparation time in the smallest steaming basket (1), the food with the second-longest preparation time in the medium steaming basket (2) and the food with the shortest preparation time in the largest steaming basket (3).
- 7** Place the steaming basket with the longest preparation time on the steamer base.
- 8** Press the start/stop button (Fig. 17).
  - ▶ The steaming process for the steaming basket with the longest preparation time starts. The start/stop light flashes slowly and the timer counts down the steaming time.
  - ▶ After some time the appliance beeps and the light of the steaming basket with the second-longest preparation time flashes quickly to indicate that you have to place the next steaming basket (Fig. 25).
- 9** Place the steaming basket with the second-longest preparation time on top of the steaming basket that is already on the steamer and press the flashing steaming basket button or the start/stop button.
- 10** The steamer proceeds with the steaming process.
  - ▶ The start/stop light flashes slowly and the timer counts down the steaming time.
  - ▶ After some time the appliance beeps and the light of the steaming basket with the shortest preparation time flashes to indicate that you have to place this steaming basket.
- 11** Place the steaming basket with the shortest preparation time on top of the other steaming baskets and press the flashing steaming basket button or the start/stop button.
- 12** The steamer proceeds with the steaming process.
  - ▶ The start/stop light flashes slowly and the timer counts down the steaming time.
  - ▶ When the steaming time has elapsed, the appliance beeps and switches to the keep-warm mode. The keep-warm light and the start/stop light flash slowly.

### **Program mode: chef program**

---

Use this mode to prepare specific ingredients in the optimal way with predefined preparation times and temperatures.

*Note: You can only use the chef program with the bottommost steaming basket which is placed directly on the drip tray.*

*Note: The preset buttons of the chef program have longer preparation times than the manual mode. This is because their cooking temperatures are partly below 100°C for the best cooking result.*

- 1** Press the chef program button (Fig. 26).
  - ▶ The light in the chef program button goes on and the four preset buttons light up (Fig. 27).
- 2** Press one of the four preset buttons.
  - Press the fish button to prepare fish (Fig. 28).
  - Press the potato button to prepare potatoes (Fig. 29).
  - Press the rice button to prepare rice (Fig. 30).
  - Press the vegetable button to prepare green vegetables (Fig. 31).
- 3** If necessary, you can adjust the preparation time with the timer up or down button, depending on the amount and size of the ingredients in the steaming basket.
- 4** Press the start/stop button.
  - ▶ The steaming process starts and the start/stop light flashes slowly. The display alternately shows the timer counting down and the current preparation temperature of the selected preset button.
  - ▶ When the steaming time has elapsed, the appliance beeps and switches to the keep-warm mode. The keep-warm light goes on.

## Keep-warm mode

After steaming, the steamer automatically switches to the keep-warm mode and the keep-warm light goes on.

The keep-warm mode keeps the food warm for 20 minutes.

- If you want to keep the food warm longer than 20 minutes, press the timer up and down buttons to adjust the keep-warm time.
- If you want to deactivate the keep-warm mode when it is active, press the start /stop button.

## Cleaning and maintenance

Never use scouring pads, abrasive cleaning agents or aggressive liquids such as petrol or acetone to clean the appliance.

**1** Remove the plug from the wall socket and let the appliance cool down.

**2** Clean the outside of the base with a moist cloth.

Never immerse the base in water, nor rinse it under the tap.

**3** Clean the water tank with a cloth soaked in warm water with some washing-up liquid. Then wipe the water tank with a clean moist cloth.

**4** Clean the lid in warm water by hand with some washing-up liquid.

Do not clean the lid in the dishwasher.

**5** Take out the removable bottoms from the steaming baskets. Clean the steaming baskets, the removable bottoms, the Aroma Infuser, the drip tray and the soup bowl (HD9190 only) by hand in warm water with some washing-up liquid. You can also clean these parts in the dishwasher, using a short cycle and a low temperature.

Repeated cleaning of the steaming baskets in a dishwasher may result in a slight dulling of these parts.

## Descaling

You have to descale the appliance when scale is visible in the water tank. It is important that you descale the food steamer regularly to maintain optimal performance.

**1** Fill the water tank with white vinegar (8% acetic acid) up to the MAX indication.

Do not use any other kind of descaler.

**2** Put the drip tray and the small steaming basket (1) on the base properly (Fig. 32).

**3** Put the lid on top of the small steaming basket (Fig. 33).

**4** Put the plug in the wall socket.

**5** Press the start/stop button to activate the control panel.

**6** Press the start/stop button to let the appliance operate for 20 minutes (Fig. 17).

If the vinegar starts to boil over the edge of the base, unplug the appliance and reduce the amount of vinegar.

**7** When the appliance beeps, unplug the appliance and let the vinegar cool down completely. Then empty the water tank.

**8** Rinse the water tank with cold water several times.

*Note: Repeat the procedure if there is still some scale in the water tank.*

### Storage

- 1 Make sure all parts are clean and dry before you store the appliance (see chapter 'Cleaning and maintenance').
- 2 To store the mains cord, wind it round the reel in the base (Fig. 34).
- 3 Place the drip tray on the base (Fig. 35).
- 4 Make sure the removable bottoms are in place in the steaming baskets.
- 5 Place the large steaming basket (3) on the drip tray. Place the medium steaming basket (2) in the large steaming basket (3). Place the small steaming basket (1) in the medium steaming basket (2) (Fig. 36).
- 6 HD9190 only: Place the soup bowl in the small steaming basket (1).
- 7 Place the lid on the soup bowl (HD9190 only) or on the small steaming basket (Fig. 37).

### Guarantee and service

If you need service or information or if you have a problem, please visit the Philips website at [www.philips.com/support](http://www.philips.com/support) or contact the Philips Consumer Care Centre in your country. You find its phone number in the worldwide guarantee leaflet. If there is no Consumer Care Centre in your country, go to your local Philips dealer.

### Environment

- Do not throw away the appliance with the normal household waste at the end of its life, but hand it in at an official collection point for recycling. By doing this, you help to preserve the environment (Fig. 38).

### Troubleshooting

This chapter summarises the most common problems you could encounter with the appliance. If you are unable to solve the problem with the information below, contact the Consumer Care Centre in your country.

Problem	Possible cause	Solution
The steamer does not work.	The steamer is not plugged in.	Put the plug in the wall socket.
	There is no water in the water tank.	Fill the water tank.
	You have not pressed the start/stop button yet.	Press the start/stop button.
Not all the food is cooked.	Some pieces of food in the steamer are larger and/or require a longer steaming time than others.	Set a longer steaming time with the + button.

Put larger pieces of food and food that requires a longer steaming time in the small steaming basket (1) and start steaming some time before you add the other baskets.

Problem	Possible cause	Solution
	You put too much food in the steaming baskets.	Do not overload the steaming baskets. Cut the food into small pieces and put the smallest pieces on top.  Leave some space between the pieces of food and evenly distribute the food over the bottom of the basket.
The appliance does not heat up properly.	You have not descaled the appliance regularly.	Descal the appliance. See chapter 'Cleaning and maintenance'.
Water splashes out of the water tank during steaming.	You have put too much water in the water tank.	Remove excess water from the water tank. Make sure that the water does not exceed the MAX indication.
The 'water tank empty' light goes on even though there is enough water in the water tank.	There is too much scale on the heating element.	Descal the water tank. See section 'Descaling' in chapter 'Cleaning and maintenance'.
The Aroma Infuser has limited or no effect.	You did not put enough herbs in the Aroma Infuser.	Put more herbs in the Aroma Infuser.
	You did not put the right types of herbs in the Aroma Infuser.	Put herbs with a strong aroma in the Aroma Infuser. See the food steaming table in chapter 'Food table and steaming tips'.
	You ate the food quite a long time after you had prepared it.	Eat the food right after you have prepared it.
There is foam on the water in the water tank or in the drip tray.	Foam may develop when proteins end up in the water in the water tank or when residues of cleaning agents stay behind in the water tank.	Clean the water tank. See chapter 'Cleaning and maintenance'.

### Food table and steaming tips

- For recipes, please see the recipe booklet or visit our website [www.philips.com/kitchen](http://www.philips.com/kitchen).
- The steaming times mentioned in the table below are only an indication. Steaming times may vary depending on the size of the food pieces, the spaces between the food in the steaming basket, the amount of food in the basket, the freshness of the food and your personal preference.

**Food steaming table**

Food to be steamed	Amount	Steaming time (min)	Suggested herbs/spices for Aroma Infuser
Asparagus	500g	15-20	Thyme, basil, lemon
Baby corn	200g	5-8	Chives, chilli, paprika
Green beans	500g	15-20	Parsley, lemon, garlic
Broccoli	400g	20	Garlic, crushed red chilli, tarragon
Carrots	500g	20	Parsley, dry mustard, chives
Cauliflower florets	400g	20	Rosemary, basil, tarragon
Celeriac (in cubes)	300g	15-20	Cumin, white pepper, chilli
Chicken leg	1pc	25	Black pepper, lemon, paprika
Corn cob	500g	30-40	Parsley, garlic, chives
Courgette (sliced)	500g	10	Dill, sage, rosemary
Couscous	150g + 250ml water	10-15	Cumin, coriander, cloves
Eggs	6pcs	12-15	-
Fruit	500g/4pcs	10-15	Cinnamon, lemon, cloves
Peas (frozen)	400g	20-25	Rosemary, cumin, parsley
Potatoes	400g	25-30	Parsley, chives, garlic
Prawns	200g	5	Curry powder, saffron, lemon
Puddings	4 bowls	20	Cinnamon, cloves, vanilla
Rice	150g + 300ml water	35	Pandan, parsley, cumin
	250g + 500ml water	35	Pandan, parsley, cumin
Salmon	450g	12-15 min.	Dill, parsley, basil
White fish	450g	10-15	Dry mustard, allspice, marjoram

**Steaming times of the preset steaming modes (Fig. 39)****Tips for steaming food****Aroma infuser**

- Rosemary, thyme, coriander, basil, dill, curry and tarragon are some of the herbs and spices that you can put in the Aroma Infuser. You can combine them with garlic, caraway or horseradish to enhance flavour without adding salt. We advise you to use 1/2 to 3tsp of dried herbs or spices. Use more if you use fresh herbs or spices.
- The aroma infuser is most effective for food cooked in the bottommost basket, which is placed directly on the drip tray.



- For more tips about herbs, spices and liquids to use in the Aroma Infuser, see the food steaming table above.
- Putting a little oil on the food improves the effect of the Aroma Infuser and also gives the food a fuller taste.
- For the best result, chop the herbs into fine pieces and fill the aroma infuser evenly.
- For the best taste, we advise you to eat your food immediately after preparing it.
- Do not pour liquids in the aroma infuser.

### **Vegetables and fruits**

- Cut off thick stems from cauliflower, broccoli and cabbage.
- Steam leafy, green vegetables for the shortest possible time, because they lose colour easily.
- Do not thaw frozen vegetables before you steam them.

### **Meat, poultry, seafood and eggs**

- Tender pieces of meat with a little fat are most suitable for steaming.
- Wash meat properly and dab it dry, so that as little juice as possible drips out.
- Always place meat, poultry, fish or eggs below other food types, to prevent dripping of juices.
- Puncture eggs before you put them in the steamer.
- Never steam frozen meat, poultry or seafood. Always let frozen meat, poultry or seafood thaw completely before you put it in the steamer.

### **Sweet deserts**

- Add some cinnamon to desserts to enhance sweetness instead of adding more sugar.

### **General tips**

- HD9190 only: To prepare rice, you have to add water to the rice in the soup bowl. For the amounts, see the food steaming table above.
- When you have finished cooking rice with the rice preset button, switch off the appliance, stir the rice and leave it in the bowl with the lid on it for 5 minutes. This gives an even better result.
- HD9190 only: Besides preparing soup, you can also use the soup bowl to prepare vegetables in sauce, to poach fish in, to cook marinated food and to make pudding, soup and rice.
- Leave some space between the pieces of food and evenly distribute the food over the bottom of the basket.
- If the steaming basket is very full, stir the food halfway through the steaming process.
- Small amounts of food require a shorter steaming time than large amounts.
- If you only use one steaming basket, the food requires a shorter steaming time than when you use 2 or 3 steaming baskets.
- If you use more than one steaming basket, let the food cook 5-10 minutes longer.
- Food is ready more quickly in the small steaming basket (1) than in the steaming baskets on top.
- Make sure that the food is well done before you eat. This is particularly important for meat like pork, minced beef and chicken.
- You can add food or steaming baskets filled with food during the steaming process. If an ingredient needs a shorter steaming time, add it later.
- Food continues to be steamed for some time when the steamer switches to the keep-warm mode. If the food is already very well done, remove it from the steamer when the steaming process ends and the appliance switches to keep-warm mode.
- If the food is not done, set a longer steaming time. You may need to put some more water in the water tank.
- HD9190 only: The steamer can be used to warm up ready-made soup. Put the soup in the soup bowl and let it steam at the preset steaming mode for fish. Heating up 250ml soup takes approximately 10 minutes.

## Въведение

Поздравления за вашата покупка и добре дошли във Philips! За да се възползвате изцяло от предлаганата от Philips поддръжка, регистрирайте продукта си на адрес [www.philips.com/welcome](http://www.philips.com/welcome).

## Общо описание (фиг. 1)

- 1 Контролен панел с дисплей и бутони
  - a - Бутон за старт/стоп и пауза
  - b - Бутони на таймера за увеличаване и намаляване
  - c - Светлинен индикатор за празен воден резервоар
  - d - Бутони за кошниците за задушаване (1, 2, 3)
  - e - Бутон за програма "Меню"
  - f - Бутон за програма "Готвач"
  - g - Програмирани бутони на програмата "Готвач" (риба, картофи, ориз, зелени зеленчуци)
  - h - Индикатор за времето
  - i - Индикатор за поддържане на топлината
  - j - Индикатор за турбо режим
- 2 Основа с резервоар за вода
- 3 Температурен сензор
- 4 Тавичка за отцеждане
- 5 Ароматизатор
- 6 Малка кошница за задушаване (1)
- 7 Средна кошница за задушаване (2)
- 8 Голяма кошница за задушаване (3)
- 9 Купа за супа (само за HD9190)
- 10 Капак
- 11 Парни отвори
- 12 Дръжка на капака
- 13 Подвижно дъно
- 14 Улей за доливане на вода
- 15 Приспособление за прибиране на кабела

*Забележка: Кошниците за задушаване са номерирани от 1 до 3. Номерата са отбелязани върху дръжките им. Можете да сложите всяка по-голяма кошница върху по-малка, но кошниците пасват най-добре, когато ги подредите в нарастващ ред на номерата им: първо малката (1), после средната (2) и накрая голямата (3).*

*Забележка за HD9190: Купата за супа се използва най-добре заедно с голямата кошница за задушаване (3).*

*Забележка: Винаги поставяйте тавичката за отцеждане под кошниците за задушаване и използвайте само кошниците, в които сте сложили храна.*

## Важно

Преди да използвате уреда, прочетете внимателно това ръководство за потребителя и го запазете за справка в бъдеще.

### Опасност

- Не потапяйте основата във вода и не я изплаквайте с течаща вода.

## Предупреждение

- Преди да включите уреда в електрически контакт, проверете дали посоченото върху уреда напрежение отговаря на това на местната електрическа мрежа.
- Включвайте уреда само в заземен мрежов контакт. Винаги проверявайте дали щепселът е включен както трябва в контакта.
- Този уред не е предназначен за използване с външен таймер или отделна система за дистанционно управление.
- Не използвайте уреда, ако щепселът, хранващият кабел или самият уред са повредени.
- Ако хранващият кабел се повреди, той трябва да бъде подменен от Philips, упълномощен сервиз на Philips или подобни квалифицирани лица, за да се избегне опасност.
- Този уред не е предназначен за ползване от хора (включително деца) с намалени физически възприятия или умствени недъзи или без опит и познания, ако са оставени без наблюдение и не са инструктирани от страна на отговарящо за тяхната безопасност лице относно начина на използване на уреда.
- Наглеждайте децата, за да не си играят с уреда.
- Пазете хранващия кабел далече от достъп на деца. Не го оставяйте да виси през ръба на масата или плотта, на който е поставен уредът.
- Внимавайте кабелът да е далече от горещи повърхности.
- Винаги развивайте докрай хранващия кабел от макарата в основата, преди да поставите щепсела на уреда в контакта.
- Никога не задушавайте на пара замразени месни, птичи или морски храни. Винаги размразявайте напълно тези съставки, преди да ги задушавате на пара.
- Никога не използвайте уреда за задушаване на пара без тавичката за отцеждане, в противен случай от уреда може да пръсне гореща вода.
- Използвайте кошниците за задушаване и купата за супа (само за HD9190) само в съчетание с оригиналната основа.

## Внимание

- Този уред е предназначен само за обикновени битови цели. Той не е предназначен за използване на места, като кухни за персонала в магазини, офиси, ферми или други работни помещения, нито за използване от клиенти в хотели, мотели, места за нощуване и закуска и други жилищни помещения.

- Ако уредът се използва неправилно или за професионални или полупрофесионални цели, както и ако се използва по начин, който не е в съответствие с указанията в ръководството за потребителя, гаранцията става невалидна и Philips не поема отговорност за каквито и да било причинени щети.
- Никога не използвайте аксесоари или части от други производители или такива, които не са специално препоръчани от Philips. При използване на такива аксесоари или части вашата гаранция става невалидна.
- Не излагайте основата на уреда на високи температури, горещи газове, пара или влага от други източници, освен от самия уред. Не поставяйте уреда върху или в близост до работеща или още гореща готварска печка.
- Не поставяйте работещия уред до или под предмети, които могат да се повредят от парата, например стени или шкафове.
- Не работете с уреда при наличие на взривоопасни и/или запалителни пари.
- Поставяйте уреда за задушаване на пара върху стабилна, хоризонтална повърхност и съблюдавайте около него да има поне 10 см празно пространство, за да се предотврати прегряването му.
- Винаги поставяйте подвижните дъна в кошниците за задушаване откъм горната страна. За да поставите правилно дъното, първо наклонете едната страна в кошницата и след това - другата страна, докато дъното застане на мястото си (до щракване). Уверете се, че издатината върху дъното сочи нагоре. (фиг. 2)
- Пазете се от горещата пара, която излиза от уреда по време на задушаване, в режима за поддържане на топлината или при повдигане на капака. Когато проверявате храната, винаги използвайте кухненски прибори с дълги дръжки.
- Не се пресягайте над уреда за задушаване на пара, докато работи.
- Не докосвайте горещите повърхности на уреда. Винаги използвайте ръкавици за фурна, когато работите с горещи части на уреда.
- Не местете уреда за задушаване на пара, докато работи.
- Винаги вдигайте капака внимателно и далеч от себе си. Оставете кондензатът да се оттича от капака вътре в уреда за задушаване на пара, за да избегнете опарване.
- Винаги дръжте кошницата за задушаване за дръжките, когато храната е гореща.

- Не изпразвайте водния резервоар през улея за доливане на вода. За да го изпразните, наклонете основата назад и излейте водата откъм задната ѝ страна (фиг. 3).
- Преди да почиствате уреда, винаги го изключвайте от контакта и го оставайте да изстине.

**Автоматично изключване**

Уредът има функция за автоматично изключване. Той се изключва автоматично, ако не натиснете бутон до 2 минути след включването му в контакта. Уредът се изключва автоматично и след изтичане на зададеното време за задушаване (включително времето за запазване на топлината).

**Предпазване срещу прегаряне**

Този уред за задушаване на пара е снабден със защита срещу прегаряне. Защитата срещу прегаряне изключва нагревателя автоматично, ако в резервоара няма вода или водата свърши по време на работа. За да продължите да използвате уреда, напълнете водния резервоар със студена вода до обозначението MAX.

**Електромагнитни излъчвания (EMF)**

Този уред Philips е в съответствие с всички стандарти по отношение на електромагнитните излъчвания (EMF). Ако се употребява правилно и съобразно инструкциите в това ръководство за потребителя, уредът е безопасен за използване според наличните досега научни факти.

**Преди първата употреба**

- 1 Преди да използвате уреда за пръв път, почистете добре частите, които влизат в контакт с храната (вижте глава “Почистване и поддръжка”).
- 2 Избършете резервоара за вода отвътре с влажна кърпа.

**Подготовка за употреба**

- 1 Поставете уреда върху стабилна, хоризонтална и равна повърхност.
- 2 Развийте докрай захранващия кабел от макарата в основата, преди да поставите щепсела на уреда в контакта.
- 3 Напълнете водния резервоар до обозначението MAX (фиг. 4).
  - ▶ Когато водният резервоар е напълнен до обозначението MAX, уредът може да задушава около 60 минути.

Не пълнете водния резервоар над знака MAX.

Пълнете водния резервоар само с вода. Никога не слагайте в резервоара подправки, олио или други продукти.

- 4 Сложете тавичката за отцеждане на резервоара за вода в основата (фиг. 5).

*Забележка: Никога не използвайте уреда без тавичката за отцеждане и не сипвайте в тавичката вода, подправки, олио или други продукти.*

- 5 Поставете ароматизатора върху тавичката за отцеждане, ако искате да придадете допълнителен вкус на храната, която ще задушавате. (фиг. 6)
  - Напълнете ароматизатора с пресни или сушени растителни подправки.
  - За препоръчаните растителни подправки за различните видове храна вижте таблицата на храните за задушаване на пара в раздел “Таблица на храните и съвети за задушаване на пара”.

**6** Поставяйте храната, която ще задушавате на пара, в една или повече кошници за задушаване и/или в купата за супа (само за HD9190). (фиг. 7)

- Винаги поставяйте подвижните дъна в кошниците за задушаване откъм горната страна. За да поставите правилно дъното, първо наклонете едната страна в кошницата и след това - другата страна, докато дъното застане на мястото си (до щракване). Уверете се, че издатината върху дъното сочи нагоре (фиг. 2).
- Не слагайте твърде много храна в кошниците за задушаване. Оставете място между парчетата храна и ги разпределете равномерно върху дъното на кошницата.
- Само за HD9189: За да пригответе ориз, може да използвате лека купа, която влиза в кошниците за задушаване. Уверете се, че около купата има свободно пространство, за да може парата да циркулира нормално в уреда.
- Слагайте по-едри парчета храна и продуктите, които изискват по-дълго задушаване, в най-долната кошница (1).
- Слагайте яйцата в поставките за яйца, за да ги задушавате лесно на пара (фиг. 8).
- За задушаване на по-едри продукти (като цели пилета или кочани царевица), може да свалите подвижните дъна на средната (2) и голямата (3) кошница за задушаване, за да получите един голям съд.

*Забележка: Максималната вместимост на кошниците за задушаване е 1 кг.*

**7** Сложете една или повече кошници за задушаване върху тавичката за отцеждане. Подредете кошниците правилно и се уверете, че не се клатят (фиг. 9).

- Не е необходимо да използвате и трите кошници.
- Кошниците за задушаване са номерирани от 1 до 3. Номерата са отбелязани върху дръжките им. Можете да сложите всяка по-голяма кошница върху по-малка, но кошниците пасват най-добре, когато ги подредите в нарастващ ред на номерата им: първо малката (1), после средната (2) и накрая голямата (3). Винаги поставяйте тавичката за отцеждане под кошниците за задушаване и използвайте само кошниците, в които сте сложили храна (фиг. 10).
- Само за HD9190: Купата за супа е предназначена за приготвяне на супи, други течни храни и риба. Когато искате да използвате купата за супа, я сложете в голямата кошница за задушаване (3) (фиг. 11).
- Само за HD9190: Ако свалите подвижното дъно на голямата кошница за задушаване (3), за да получите по-голям съд със средната кошница (2) под нея, това не пречи да сложите отгоре купата за супа, за да пригответе риба, ориз или супа (фиг. 12).
- Ако свалите подвижното дъно на средната кошница за задушаване (2), за да получите по-голям съд заедно с малката кошница (1) под нея, това не пречи да сложите отгоре голямата кошница за задушаване (3).

**8** Сложете капака върху най-горната кошница за задушаване (фиг. 13).

*Забележка: Ако капакът не е сложен или не е сложен правилно върху кошницата за задушаване, храната няма да се задуши както трябва.*

### Използване на уреда

Уредът има два режима за задушаване с пара:

- 1 Ръчен режим за бързо включване на уреда.
- 2 Програмен режим:
  - Програма "Меню": за приготвяне на пълно меню с различни времена на приготвяне за всяка кошница.
  - Програма "Готвач" с бутони с програмирани функции: за приготвяне на храни с предварително зададени времена и температури на приготвяне.

За повече информация как да използвате тези режими, вижте отделните раздели по-долу.

## Обща процедура

Следните стъпки са общи и се отнасят и за трите режима на задушаване.

- 1** Включете щепсела в контакта.
- 2** Светлината на бутона за вкл./изкл. се включва и на дисплея се показва стандартното време на задушаване (20 минути) (фиг. 14).
- 3** Изберете един от двата режима на задушаване и следвайте задължителните стъпки (вижте разделите за различните режими на задушаване по-долу).

*Забележка: Не можете да използвате двата режима на задушаване едновременно, както и не можете да използвате програмата “Готвач” и програма “Меню” едновременно.*

*Забележка: Ако задушавате на пара големи количества храна, разбъркайте я на половината време за задушаване с кухненски прибор с дълга дръжка. Не забравяйте да си сложите ръкавици за фурна.*

*Забележка: През първите 5 минути от задушаването свети индикаторът на турбо режима. Това показва, че уредът използва допълнителна мощност за бързо нагриване.*

- 3** Когато задушаването приключи, уредът издава 5 звукови сигнала и автоматично преминава в режим за поддържане на топлината (вижте раздел “Режим за поддържане на топлината”).
- 4** След употреба внимателно вдигнете капака.

Пазете се от горещата пара, излизаща от уреда, когато свалите капака.

*Забележка: За да се предпазите от изгаряне, носете ръкавици за фурна, когато свалите капака. Оставете кондензираната вода да се оттече от капака в кошницата за задушаване.*

*Забележка: Използвайте кухненски прибори с дълги дръжки, за да извадите продуктите от кошницата за задушаване.*

- 5** Когато свалите кошница за задушаване, оставете кондензираната вода да се оттече от кошницата под нея или в тавичката за отцеждане.
- 6** Изключете щепсела от контакта и оставете уреда да изстине напълно, преди да извадите тавичката за отцеждане.
- 7** Изпразвайте водния резервоар след всяка употреба, като наклоните основата назад и излеее водата откъм задната ѝ страна (фиг. 3).

Внимавайте, когато изваждате тавичката за отцеждане и изпразвате водния резервоар, защото водата и в двете може все още да е гореща, дори ако другите части на уреда вече са изстинали.

*Забележка: Ако водата свърши по време на работа, ще светне индикаторът за празен воден резервоар, което значи, че трябва да долеете вода в резервоара (фиг. 15).*

*Забележка: Ако искате да задушите повече храна, за което е необходима повече вода, можете да доливате по малко вода през улея за доливане, за да допълните водния резервоар.*

*Забележка: Уредът автоматично преминава в режим на готовност, ако не е използван 2 минути. Натиснете бутона за старт/стоп, за да активирате отново контролния панел.*

**Ръчен режим**

Използвайте този режим за бързо включване на уреда.

- 1** Натискайте бутоните на таймера за увеличаване или намаляване, за да зададете необходимото време на задушаване (фиг. 16).
- 2** Натиснете бутона **старт/стоп**, за да започне задушаването (фиг. 17).
  - ▶ Задушаването на пара започва. Светлината на бутона **старт/стоп** и индикаторът на турбо режима мигат бавно и таймерът започва обратно отброяване на зададеното време на задушаване (фиг. 18).
  - ▶ Когато изтече зададеното време на задушаване, уредът издава звуков сигнал и се включва в режим на запазване на топлината. Светва индикаторът за поддържане на топлината (фиг. 19).

**Програмен режим: програма “Меню”**

Използвайте тази програма, за да пригответе пълно меню с различни времена на приготвяне за всяка кошница. Уредът автоматично започва да задушава продуктите в кошницата с най-дълго време на приготвяне и издава звуков сигнал, за да ви уведоми кога да поставите кошницата (кошниците) с продукти с по-кратко време на приготвяне. Последната кошница е с на-кратко време на приготвяне.

*Забележка: Ако искате да пригответе меню, без да използвате и трите кошници за задушаване, нагласете таймера само за кошниците, които ще използвате.*

- 1** Натиснете бутона за програма “Меню”. (фиг. 20)
  - ▶ Светват индикаторът на бутона за програма “Меню” и индикаторите на бутоните за трите кошници за задушаване (фиг. 21).
- 2** Натиснете бутона за кошница 1, 2 или 3, за да изберете една от кошниците за задушаване. (фиг. 22)
  - ▶ Съответният индикатор започва да мига.
- 3** Натискайте бутоните на таймера за увеличаване и намаляване, за да зададете необходимото време на задушаване за избраната кошница. (фиг. 23)
- 4** Натиснете отново бутона за кошницата, чието време на задушаване задавате, за да потвърдите. (фиг. 24)
  - ▶ Точката под бутона за кошницата светва, което показва, че времето е зададено.
- 5** Повтаряйте стъпките от 2 до 4, докато зададете времето за всички кошници, които искате да използвате.
- 6** Сложете продуктите в кошниците за задушаване. Когато използвате и трите кошници, сложете продуктите с най-дълго време за задушаване в малката кошница (1), продуктите с по-кратко време - в средната кошница (2), а продуктите с най-кратко време - в голямата кошница (3).
- 7** Сложете кошницата с най-дълго време за задушаване върху основата.
- 8** Натиснете бутона **старт/стоп** (фиг. 17).
  - ▶ Започва задушаването на продуктите в кошницата с най-дълго време за задушаване. Светлината на бутона **старт/стоп** мига бавно и таймерът започва обратно отброяване на зададеното време на задушаване.
  - ▶ След известно време уредът издава звуков сигнал и индикаторът на кошницата с продукти с по-кратко време на задушаване започва да мига бързо, което показва, че трябва да поставите втората кошница (фиг. 25).



- 9** Сложете кошницата с по-кратко време на задушаване върху кошницата, която вече е поставена върху уреда, и натиснете мигация бутон за кошницата или бутона старт/стоп.
- 10** Уредът продължава със задушаването.
- ▮ Светлината на бутона старт/стоп мига бавно и таймерът започва обратно отброяване на зададеното време на задушаване.
  - ▮ След известно време уредът издава звуков сигнал и индикаторът на кошницата с продукти с най-кратко време на задушаване започва да мига, което показва, че трябва да поставите и тази кошница.
- 11** Сложете кошницата с най-кратко време на задушаване върху другите кошници и натиснете мигация бутон за кошницата или бутона старт/стоп.
- 12** Уредът продължава със задушаването.
- ▮ Светлината на бутона старт/стоп мига бавно и таймерът започва обратно отброяване на зададеното време на задушаване.
  - ▮ Когато изтече зададеното време на задушаване, уредът издава звуков сигнал и се включва в режим на запазване на топлината. Индикаторът за поддържане на топлината и светлината на бутона старт/стоп мигат бавно.

### Програмен режим: програма “Готвач”

---

Използвайте този режим, за да пригответе определени продукти по оптимален начин, с предварително зададени времена и температури на приготвяне.

*Забележка: Можете да използвате програмата “Готвач” само с най-долната кошница за задушаване, поставена директно върху тавичката за отцеждане.*

*Забележка: Програмираните бутони на програмата “Готвач” са с по-дълги времена на приготвяне, отколкото ръчния режим, тъй като те използват по-ниски температури, пог 100°C за част от процеса, за най-добър резултат.*

- 1** Натиснете бутона за програма “Готвач” (фиг. 26).
- ▮ Светват индикаторът на бутона за програма “Готвач” и четирите програмирани бутона (фиг. 27).
- 2** Натиснете един от четирите програмирани бутона.
- Натиснете бутона за риба, ако ще пригответе риба (фиг. 28).
  - Натиснете бутона за картофи, ако ще пригответе картофи (фиг. 29).
  - Натиснете бутона за ориз, ако ще пригответе ориз (фиг. 30).
  - Натиснете бутона за зелени зеленчуци, ако ще пригответе зелени зеленчуци (фиг. 31).
- 3** Ако е необходимо, можете да регулирате времето за приготвяне с бутоните на таймера за увеличаване или намаляване, в зависимост от количеството и размерите на продуктите в кошницата за задушаване.
- 4** Натиснете бутона старт/стоп.
- ▮ Задушаването на пара започва и светлината на бутона старт/стоп мига бавно. На дисплея се показват последователно обратното отброяване на таймера и температурата на задушаване в момента за избрания програмиран бутон.
  - ▮ Когато изтече времето на задушаване, уредът издава звуков сигнал и се включва в режим на запазване на топлината. Светва индикаторът за поддържане на топлината.

### Режим за поддържане на топлината

---

След като задушаването приключи, уредът преминава автоматично в режим за поддържане на топлината и светва индикаторът за поддържане на топлината.

Режимът за поддържане на топлината запазва продуктите топли в продължение на 20 минути.

- Ако искате да запазите продуктите топли за повече от 20 минути, натиснете бутоните на таймера за увеличаване и намаляване, за да зададете друго време.
- Ако искате да изключите режима за поддържане на топлината, натиснете бутона **старт/стоп**.

### Почистване и поддръжка

Никога не използвайте за почистване на уреда фибро гъби, абразивни почистващи препарати или агресивни течности, като бензин или ацетон.

**1** Извадете щепсела от контакта и оставете уреда да изстине.

**2** Почистете външността на основата с влажна кърпа.

Не потапяйте основата във вода и не я изплаквайте с течаша вода.

**3** Почиствайте водния резервоар с кърпа, натопена в топла вода с малко миеш препарат. След това избършете резервоара с чиста влажна кърпа.

**4** Измийте капака на ръка с топла вода с малко течен миеш препарат.

Не мийте капака в съдомиялна машина.

**5** Свалете подвижните дъна на кошниците за задушаване. Измийте кошниците, подвижните дъна, ароматизатора, тавичката за отцеждане и купата за супа (само за HD9190) на ръка с топла вода с малко течен миеш препарат. Тези части могат да се почистват и в съдомиялна машина - на кратка програма и при ниска температура.

Многократното миене на кошниците в съдомиялна машина може да доведе до леко потъмняване.

### Премахване на накип

---

Когато видите, че във водния резервоар се е натрупал накип, ще трябва да го почистите. Редовното почистване на накипа е важно за поддържане на оптималната работа на уреда.

**1** Напълнете резервоара за вода с бял оцет (8% оцетна киселина) до означението **MAX**.

Не използвайте никакъв друг вид препарат за премахване на накип.

**2** Поставете правилно тавичката за отцеждане и малката кошница за задушаване (1) върху основата (фиг. 32).

**3** Сложете капака върху малката кошница за задушаване (фиг. 33).

**4** Включете щепсела в контакта.

**5** Натиснете бутона **старт/стоп**, за да активирате контролния панел.

**6** Натиснете бутона **старт/стоп**, за да включите уреда за 20 минути (фиг. 17).

Ако оцетът започне да кипи през ръба на основата, изключете уреда от контакта и намалете количеството оцет.

**7** Когато устройството издаде звуков сигнал, изключете го от контакта и оставете оцета да изстине напълно. След това изпразнете водния резервоар.

**8** Изплакнете водния резервоар със студена вода няколко пъти.

*Забележка: Повторете процедурата, ако в резервоара за вода има още накип.*

## Съхранение

- 1 Погрижете се всички части да са чисти и сухи, преди да приберете (вижте глава “Почистване и поддръжка”).
- 2 За да приберете захранващия кабел, навийте го около макарата в основата (фиг. 34).
- 3 Сложете тавичката за отцеждане върху основата (фиг. 35).
- 4 Уверете се, че подвижните дъна са поставени в кошниците за задушаване.
- 5 Сложете голямата кошница за задушаване (3) върху тавичката за отцеждане. Сложете средната кошница (2) в голямата кошница за задушаване (3). Сложете малката кошница (1) в средната кошница за задушаване (2) (фиг. 36).
- 6 Само за HD9190: Сложете купата за супа в малката кошница за задушаване (1).
- 7 Сложете капака върху купата за супа (само за HD9190) или малката кошница за задушаване (фиг. 37).

## Гаранция и сервиз

Ако се нуждаете от сервизно обслужване или информация или имате проблем, посетете уеб сайта на Philips на адрес [www.philips.com/support](http://www.philips.com/support) или се обърнете към Центъра за обслужване на потребители на Philips във вашата страна. Телефонния му номер ще намерите в международната гаранционна карта. Ако във вашата страна няма Център за обслужване на потребители, обърнете се към местния търговец на уреди на Philips.

## Опазване на околната среда

- След края на срока на експлоатация на уреда не го изхвърляйте заедно с обикновените битови отпадъци, а го предайте в официален пункт за събиране, където да бъде рециклиран. По този начин вие помагате за опазване на околната среда (фиг. 38).

## Отстраняване на неизправности

В този раздел са обобщени най-често срещаните проблеми, които може да срещнете при ползване на уреда. Ако не можете да разрешите проблема с помощта на информацията по-долу, се свържете с Центъра за обслужване на потребители във вашата страна.

Проблем	Вероятна причина	Решение
Уредът за задушаване на пара не работи.	Уредът за задушаване на пара не е включен в контакта.	Включете щепсела в контакта.
	Няма вода във водния резервоар.	Напълнете водния резервоар.
	Не сте натиснали бутона старт/стоп.	Натиснете бутона старт/стоп.
Не всичката храна се е задушила добре.	Някои продукти са по-едри и/или изискват по-дълго време за задушаване от други.	Задайте по-дълго време на задушаване на пара с бутона +.

Проблем	Вероятна причина	Решение
		Слагайте по-едри парчета храна и продуктите, които изискват по-дълго задушаване, в най-долната кошница (1) и започвайте задушаването им известно време преди да поставите другите кошници.
	Сложили сте твърде много храна в кошниците за задушаване.	Не препълвайте кошниците за задушаване. Нарязвайте продуктите на малки парчета и слагайте най-малките парчета отгоре.  Оставете място между парчетата и ги разпределете равномерно върху дъното на кошницата.
Уредът не се загрява добре.	Не премахвате накипа от уреда редовно.	Премахнете накипа от уреда. Вж. раздел "Почистване и поддръжка".
От водния резервоар пръска вода по време на задушаване.	Сложили сте твърде много вода в резервоара.	Излейте излишната вода от резервоара. Уверете се, че нивото на водата не надвишава обозначението MAX.
Индикаторът за празен воден резервоар свети, въпреки че в резервоара има достатъчно вода.	Върху нагревателния елемент се е натрупал твърде много накип.	Почистете накипа от водния резервоар. Вижте раздел "Премахване на накип" в глава "Почистване и поддръжка".
Ароматизаторът има слаб или никакъв ефект.	Не сте сложили достатъчно подправки в ароматизатора.	Сложете още подправки в ароматизатора.
	Не сте сложили подходящите видове подправки в ароматизатора.	Сложете в ароматизатора подправки със силен аромат. Вижте таблицата на храните за задушаване на пара в раздел "Таблица на храните и съвети за задушаване на пара".
	Поднесли сте храната дълго време след приготвянето ѝ.	Поднасяйте храната веднага след приготвяне.
Във водата в резервоара или в тавичката за отцеждане има пяна.	Може да се образува пяна, когато във водата в резервоара попаднат протеини или ако в резервоара има остатъци от почистващи препарати.	Почистете водния резервоар. Вижте глава "Почистване и поддръжка".

**Таблица на храните и съвети за задушаване на пара**

- Можете да намерите рецепти в книжката с рецепти или на нашия уеб сайт на адрес [www.philips.com/kitchen](http://www.philips.com/kitchen).
- Времената на задушаване в таблицата по-долу са само ориентировъчни. Те може да се променят в зависимост от големината на парчетата храна, разстоянията между тях в кошницата, количеството продукти в кошницата, от това доколко пресни са продуктите, както и според личните ви предпочитания.

**Таблица на храните за задушаване на пара**

Продукти за задушаване на пара	Количество	Време на задушаване на пара (мин.)	Предложения за подправки за ароматизатора
Аспержи	500 г	15-20	Мащерка, босилек, лимон
Млечна царевица	200 г	5-8	Лук, люти чушки, червен пипер
Зелен фасул	500 г	15-20	Магданоз, лимон, чесън
Броколи	400 г	20	Чесън, счукани люти чушки, пелин
Моркови	500 г	20	Магданоз, суха горчица, лук
Глави карфиол	400 г	20	Розмарин, босилек, пелин
Керевиз (на кубчета)	300 г	15-20	Кимион, бели чушки, люти чушки
Пилешки бутчета	1 бр.	25	Чер пипер, лимон, червен пипер
Кочани царевица	500 г	30-40	Магданоз, чесън, лук
Тиквички (нарязани)	500 г	10	Копър, градински чай, розмарин
Кус-кус	150 г + 250 мл вода	10-15	Кимион, кориандър, карамфил
Яйца	6 бр.	12-15	-
Плодове	500 г / 4 бр.	10-15	Канела, лимон, карамфил
Грах (замразен)	400 г	20-25	Розмарин, кимион, магданоз
Картофи	400 г	25-30	Магданоз, лук, чесън
Скариди	200 г	5	Къри на прах, шафран, лимон
Пудинг	4 купи	20	Канела, карамфил, ванилия
Ориз	150 г + 300 мл вода	35	Пандан, магданоз, кимион
	250 г + 500 мл вода	35	Пандан, магданоз, кимион
Сьомга	450 г	12-15 мин.	Копър, магданоз, босилек
Бяла риба	450 г	10-15	Суха горчица, бахар, риган

## **Времена за задушаване, съответстващи на предварително зададените режими за задушаване (фиг. 39)**

### **Съвети за задушаване на пара на храни**

---

#### **Ароматизатор**

- Розмарин, мащерка, кориандър, босилек, копър, къри и тарагон са някои от подправките, които можете да сложите в ароматизатора. Можете да ги съчетаете с чесън, кимион или хрян, за да усилите вкуса, без да добавяте сол. Препоръчваме ви да използвате между 1/2 и 3 чаени лъжички сушени подправки. Слагайте повече, ако използвате пресни подправки.
- Ароматизаторът е най-ефективен за храни, приготвяни в най-долната кошница за задушаване, поставена директно върху тавичката за отцеждане.
- Още съвети за подправките и течностите, които можете да използвате в ароматизатора, ще намерите в таблицата на храните за задушаване на пара по-горе.
- Малко олио върху продуктите повишава ефекта от ароматизатора и придава на храната по-богат вкус.
- За най-добър резултат нарежете подправките на малки парченца и напълнете равномерно ароматизатора.
- За най-добър вкус ви съветваме да консумирате храната веднага след приготвянето ѝ.
- Не сипвайте течности в ароматизатора.

#### **Зеленчуци и плодове**

- Изрязвайте дебелите стъбла от карфиола, броколито и зелето.
- Задушавайте на пара зелени зеленчуци с листа за най-краткото възможно време, защото те лесно се обезцветяват.
- Не размразявайте замразени зеленчуци, преди да ги задушавате на пара.

#### **Месо, птици, морски деликатеси и яйца**

- Най-подходящи за задушаване на пара са крехки парчета месо с малко мазнина.
- Измийте добре месото и го начукайте до сухо, така че да изтича колкото може по-малко сок.
- Винаги слагайте месо, птици, риба или яйца под другите видове храни, за да избегнете изтичането на сос.
- Пробивайте яйцата, преди да ги поставите в уреда за задушаване на пара.
- Не задушавайте на пара замразено месо, птици или морски деликатеси. Винаги оставяйте замразеното месо, птици или морски деликатеси напълно да се размразят, преди да ги поставите в уреда за задушаване на пара.

#### **Десерти**

- Добавете към десертите малко канела, за да ги направите по-сладки, вместо да слагате допълнително захар.

**Общи съвети**

- Само за HD9190: За да пригответе ориз, трябва да сипете ориз и вода в купата за супа. Необходимите количества ще намерите в таблицата на храните за задушаване на пара по-горе.
- Когато приключите с приготвянето на ориз с програмирания бутон за ориз, изключете уреда, разбъркайте ориза и го оставете в купата с капак за 5 минути. Това дава още по-добър резултат.
- Само за HD9190: Освен за приготвянето на супи, можете да използвате купата за супа и за приготвяне на зеленчуци със сос, за задушаване на риба, за готвене на мариновани храни, за приготвяне на пудинг и ориз.
- Оставете място между парчетата храна и ги разпределете равномерно върху дъното на кошницата.
- Ако кошницата за задушаване е много пълна, разбъркайте храната на половината време на процеса на задушаване.
- Малките количества храна изискват по-кратко време на задушаване от големите количества.
- Ако използвате само една кошница за задушаване, продуктите ще се задушат по-бързо, отколкото когато използвате 2 или 3 кошници.
- Ако използвате повече от една кошница за задушаване, оставете продуктите да се задушават 5-10 минути повече.
- Продуктите стават готови по-бързо в малката кошница (1), отколкото в горните кошници.
- Уверете се, че храната е добре сготвена, преди да я поднесете. Това е особено важно за месата, като свинско, телешко и пилешко.
- Можете да добавяте продукти или кошници с продукти по време на задушаването. Ако даден продукт изисква по-кратко задушаване, добавете го по-късно.
- Продуктите продължават да се задушават известно време след като уредът премине в режим за поддържане на топлината. Ако те са вече напълно готови, свалете ги от уреда, когато задушаването приключи и уредът премине в режим за поддържане на топлината.
- Ако храната не е готова, задайте по-дълго време за задушаване на пара. Може да е необходимо да сложите още вода в резервоара.
- Само за HD9190: Уредът може да се използва за затопляне на готова супа. Сложете супата в купата за супа и я оставете да се задушава на програмирания режим за приготвяне на риба. Затоплянето на 250 мл супа отнема около 10 минути.

## Úvod

Gratulujeme vám k zakoupení výrobku a vítáme vás ve světě výrobků Philips. Abyste mohli plně využít podpory, kterou Philips poskytuje, zaregistrujte svůj výrobek na adrese [www.philips.com/welcome](http://www.philips.com/welcome).

## Všeobecný popis (Obr. 1)

- 1 Ovládací panel a displej s tlačítky
  - a Tlačítko spuštění/zastavení a pozastavení
  - b Tlačítko časovače nahoru a dolů
  - c Kontrolka prázdného zásobníku na vodu
  - d Tlačítko napařovacího košíku (1, 2, 3)
  - e Tlačítko programu pokrmu
  - f Tlačítko programu šéfkuchaře
  - g Tlačítko předvoleb programu šéfkuchaře (ryby, brambory, rýže, čerstvá zelenina)
  - h Kontrolka časovače
  - i Kontrolka funkce udržování teploty
  - j Kontrolka funkce Turbo
- 2 Základna se zásobníkem vody
- 3 Teplotní čidlo
- 4 Tácek na odkapávání
- 5 Zvýrazňovač chutí
- 6 Malý napařovací košík (1)
- 7 Střední napařovací košík (2)
- 8 Velký napařovací košík (3)
- 9 Mísa na polévku (pouze model HD9190)
- 10 Víko
- 11 Otvory pro výstup páry
- 12 Rukojeť víka
- 13 Odnímatelné dno
- 14 Hubička pro doplňování vody
- 15 Držák pro uložení kabelu

*Poznámka: Napařovací košíky jsou očíslovány od 1 do 3. Číslo napařovacích košíků jsou uvedena na jejich rukojetích. Máte možnost postavit jakýkoli větší košík na menší košík, nicméně košíky do sebe nejlépe zapadnou v logickém vzestupném pořadí: nejprve nejmenší košík (1), poté střední košík (2) a nakonec velký košík (3).*

*Poznámka pro model HD9190: Mísu na polévku je nevhodnější používat v kombinaci s velkým košíkem (3).*

*Poznámka: Vždy používejte tácek na odkapávání pod napařovacími košíky a používejte pouze napařovací košíky naplněné pokrmem.*

## Důležité

Před použitím přístroje si pečlivě přečtěte tuto uživatelskou příručku a uschovejte ji pro budoucí použití.

### Nebezpečí

- Základnu nesmíte nikdy ponořit do vody ani mýt pod tekoucí vodou.

### Upozornění

- Dříve než přístroj připojíte do sítě, zkontrolujte, zda napětí uvedené na přístroji souhlasí s napětím v místní elektrické síti.



- Přístroj připojte výhradně do uzemněných zásuvek. Ujistěte se, že je zástrčka řádně zasunuta do síťové zásuvky.
- Přístroj není určen k tomu, aby byl ovládán pomocí externího časovače nebo samostatného dálkového ovladače.
- Pokud byste zjistili závadu na zástrčce, na napájecím kabelu nebo na přístroji, dále jej nepoužívejte.
- Pokud je poškozen napájecí kabel, musí jeho výměnu provést společnost Philips, autorizovaný servis společností Philips nebo obdobně kvalifikovaní pracovníci, aby se předešlo možnému nebezpečí.
- Osoby (včetně dětí) s omezenými fyzickými, smyslovými nebo duševními schopnostmi nebo nedostatkem zkušeností a znalostí by neměly s přístrojem manipulovat, pokud nebyly o používání přístroje předem poučeny nebo nejsou pod dohledem osoby zodpovědné za jejich bezpečnost.
- Dohlédněte na to, aby si s přístrojem nehrály děti.
- Dbejte na to, aby byl napájecí kabel mimo dosah dětí. Nenechávejte napájecí kabel viset přes hranu stolu nebo pracovní desky, na které je přístroj postaven.
- Napájecí kabel nenechávejte v blízkosti horkých povrchů.
- Před zapojením do zásuvky vždy zcela odviňte síťový kabel ze základny přístroje.
- Neohřívejte v páře zmražené maso, drůbež a mořské produkty. Tyto suroviny vždy před ohříváním úplně rozmrazte.
- Nepoužívejte parní ohřívač bez tácku na odkapávání – z přístroje by mohla vystříknout horká voda.
- Napařovací košíky a mísu na polévku (pouze model HD9190) používejte výhradně s původní základnou.

### **Upozornění**

- Tento přístroj je určen pouze pro běžné domácí používání. Není určen pro používání v prostředích, jako jsou kuchyně pro personál obchodů, kancelář nebo farem, nebo v jiných pracovních prostředích. Přístroje není určen ani pro používání klienty v hotelech, motelech, zařízeních poskytujících nocleh se snídaní a jiných ubytovacích zařízeních.
- Pokud by byl používán nesprávným způsobem, pro profesionální či poloprofesionální účely nebo v případě použití v rozporu s pokyny v této uživatelské příručce, pozbývá záruka platnosti a společnost Philips odmítá jakoukoliv zodpovědnost za způsobené škody.
- Nikdy nepoužívejte žádné příslušenství ani díly od jiných výrobců nebo takové, které nebyly výslovně doporučeny společností Philips. Pokud použijete takové díly či příslušenství, pozbývá záruka platnosti.

- Základnu přístroje nevystavujte vysokým teplotám, horkému plynu, páře ani teplému a vlhkému prostředí z jiných zdrojů než je samotný parní ohřívač. Neumíst'ujte parní ohřívač na zapnutý nebo ještě horký sporák případně vařič.
- Nepokládejte přístroj v provozu do blízkosti předmětů nebo pod předměty, které se mohou poškodit párou, například stěny a skříňky.
- Nespouštějte přístroj v prostředí nasyceném výbušnými nebo hořlavými parami.
- Přístroj umístěte na stabilní, vodorovný a vyrovnaný povrch a zajistěte, aby kolem přístroje bylo alespoň 10 cm volného prostoru na ochranu proti přehřátí.
- Do napařovacích košíků vždy shora vložte odnímatelná dna. Pokud chcete dna umístit do správné polohy, spusťte do košíku nejprve jednu stranu dna, a poté druhou stranu, dokud dno nezapadne na místo (ozve se „klapnutí“). Ujistěte se, že hrbolek na dně směřuje nahoru. (Obr. 2)
- Dejte pozor na horkou páru unikající z parního ohřívače při napařování, v režimu udržování teploty nebo při snímání víka. Když kontrolujete ohřívání pokrmu, používejte vždy kuchyňské náčiní s dlouhou rukojetí.
- Nenaklánějte se přes parní ohřívač, pokud je v provozu.
- Nedotýkejte se povrchů přístroje. Při manipulaci s horkými částmi přístroje vždy používejte kuchyňské rukavice.
- Nepřemíst'ujte parní ohřívač, pokud je v provozu.
- Víko snímejte opatrně a směrem od sebe. Zkondenzovanou vodu na víku nechte odkapat do parního ohřívače, abyste se neopařili.
- Pokud je pokrm horký, vždy držte napařovací košík za rukojeti.
- Nevylévejte zásobník na vodu hubičkou pro doplňování vody. Chcete-li vyprázdnit zásobník na vodu, nakloňte základnu dozadu a vylijte vodu ze zadní části základny (Obr. 3).
- Před čištěním vždy odpojte přístroj ze sítě a nechte ho vychladnout.

### **Automatické vypnutí**

Přístroj je vybaven funkcí automatického vypnutí. Automaticky se vypne, pokud do 2 minut od zapojení přístroje do zásuvky nestisknete žádné tlačítko. Přístroj se také automaticky vypne po uplynutí nastavené doby napařování (včetně doby udržování teploty).

### **Ochrana proti vaření bez vody**

Parní ohřívač potravy je vybaven ochranou proti vaření bez vody. Ochrana proti vaření bez vody automaticky vypne topné tělísko, pokud v zásobníku není voda nebo pokud se během provozu voda spotřebuje. Naplňte nádržku na vodu studenou vodou až po značku MAX, abyste mohli přístroj znovu použít.

### **Elektromagnetická pole (EMP)**

Tento přístroj společnosti Philips odpovídá všem normám týkajícím se elektromagnetických polí (EMP). Pokud je správně používán v souladu s pokyny uvedenými v této uživatelské příručce, je jeho použití podle dosud dostupných vědeckých poznatků bezpečné.

## Před prvním použitím

- 1 Než přístroj poprvé použijete, důkladně omyjte všechny díly, které přicházejí do styku s potravinami (viz kapitola „Čištění a údržba“).
- 2 Vnitřní povrch zásobníku na vodu čistěte navlhčeným hadříkem.

## Příprava k použití

- 1 Přístroj umístěte na stabilní, vodorovný a vyrovnaný povrch.
- 2 Před zapojením do zásuvky vždy zcela odviňte síťový kabel ze základny přístroje.
- 3 Zásobník na vodu naplňte vodou až po značku MAX (Obr. 4).
  - ▶ Je-li zásobník na vodu naplněn po značku MAX, parní ohřívač bude moci pracovat po dobu přibližně 60 minut.

Neplňte vodní zásobník nad úroveň značky MAX.

Zásobník na vodu plňte pouze vodou. Nepřidávejte do zásobníku koření, olej ani jiné látky.

- 4 Na zásobník v základně položte tácek na odkapávání (Obr. 5).

*Poznámka: Přístroj nikdy nepoužívejte bez tácku na odkapávání a na tácek na odkapávání nelijte vodu, koření, olej ani jiné látky.*

- 5 Chcete-li pokrmu při napařování dodat více chuti, umístěte na tácek na odkapávání zvýrazňovač chuti. (Obr. 6)

- Naplňte zvýrazňovač chuti čerstvými nebo sušenými bylinkami.
- Doporučené byliny nebo koření pro různé typy pokrmů uvádí příslušná tabulka v kapitole „Tabulka pokrmů a typy pro napařování“.

- 6 Napařované pokrmy položte na jeden nebo více napařovacích košíků nebo do mísy na polévku (pouze model HD9190). (Obr. 7)

- Do napařovacích košíků vždy shora vložte odnímatelná dna. Pokud chcete dna umístit do správné polohy, spusťte do košíku nejprve jednu stranu dna, a poté druhou stranu, dokud dno nezapadne na místo (ozve se „klapnutí“). Ujistěte se, že hrbolky na dně směřuje nahoru (Obr. 2).
- Napařovací košíky nepřepĺňujte. Nechte mezi kousky pokrmu trochu místa a pokrm rovnoměrně rozložte pod dně košíku.
- Pouze model HD9189: Chcete-li vařit rýži, můžete použít lehkou misku, kterou lze vložit do napařovacích košíků. Dbejte na to, aby okolo mísy zůstalo trochu místa pro zajištění správné cirkulace páry uvnitř parního ohřívače.
- Větší kousky pokrmů a pokrmy vyžadující delší dobu napařování pokládejte na nejnižší umístěný napařovací košík (1).
- Vejce můžete pohodlně napařovat s pomocí držáků na vejce (Obr. 8).
- Pokud chcete napařovat objemné potraviny (například celá kuřata nebo kukuřičné klasy), je možné vyjmout dna ze středního napařovacího košíku (2) a z velkého napařovacího košíku (3) a vytvořit tak jeden velký košík.

*Poznámka: Maximální kapacita napařovacích košíků je 1 kg.*

- 7 Napařovací košíky (jeden nebo více) položte na tácek na odkapávání. Košíky dobře uložte tak, aby se nekývaly (Obr. 9).

- Není nutné používat vždy všechny tři napařovací košíky.
- Napařovací košíky jsou očíslovány od 1 do 3. Čísla napařovacích košíků jsou uvedena na jejich rukojetích. Máte možnost postavit jakýkoli větší košík na menší košík, nicméně košíky do sebe nejlépe zapadnou v logickém vzestupném pořadí: nejprve nejmenší košík (1), poté střední košík (2) a nakonec velký košík (3). Vždy používejte tácek na odkapávání pod napařovacími košíky a používejte pouze napařovací košíky naplněné pokrmem (Obr. 10).

- Pouze model HD9190: Mísa na polévku je určena k přípravě polévky, jiných tekutých pokrmů a ryb. Jestliže chcete použít mísu na polévku, vložte ji do velkého napařovacího košíku (3) (Obr. 11).
- Pouze model HD9190: I když vyjmete odnímatelné dno z velkého napařovacího košíku (3) a vytvoříte větší košík se středním napařovacím košíkem (2) vespodu, můžete vložit mísu na polévku a připravit nahoře ryby, rýži nebo polévku (Obr. 12).
- I když vyjmete odnímatelné dno ze středního napařovacího košíku (2) a vytvoříte větší košík s malým napařovacím košíkem (1) vespodu, můžete nahoru položit velký napařovací košík (3).

### **8** Položte víko na vrchní napařovací košík (Obr. 13).

*Poznámka: Není-li víko správně položené na napařovacím košíku nebo pokud zcela chybí, nebude se pokrm správně napařovat.*

## **Použití přístroje**

Parní ohříváč nabízí dva režimy napařování:

- 1 Ruční režim pro rychlou aktivaci parního ohříváče.
- 2 Programový režim:
  - Program pokrmu: slouží k přípravě kompletního pokrmu, přičemž v jednotlivých košících se pokrm připravuje po různé dlouhou dobu.
  - Program šéfkuchaře s tlačítky předvoleb: slouží k přípravě pokrmu s použitím předem nastavených dob a teplot přípravy.

Další informace o použití těchto režimů naleznete v následujících částech.

### **Všeobecný postup**

Následující kroky představují všeobecný postup, který platí pro všechny tři režimy napařování.

- 1** Zasuňte zástrčku do síťové zásuvky.
  - ▶ Kontrolka na vypínači se vypne a na displeji se zobrazí výchozí doba napařování (20 minut) (Obr. 14).
- 2** Zvolte jeden nebo dva režimy napařování a postupujte podle příslušných kroků (viz následující části pojednávající o různých režimech napařování).

*Poznámka: Nelze použít oba režimy napařování současně. Není také možné současně používat program pokrmu a program šéfkuchaře.*

*Poznámka: Pokud napařujete velké množství surovin, promíchejte pokrm v polovině napařování kuchyňským náčiním s dlouhou rukojetí a použijte kuchyňské rukavice.*

*Poznámka: Během prvních 5 minut procesu napařování svítí kontrolka Turbo. To znamená, že parní ohříváč používá zvýšený výkon pro rychlé zahřátí.*

- 3** Po dokončení napařování přístroj vydá pět zvukových signálů a automaticky se přepne do režimu udržování teploty (viz část „Režim udržování teploty“).
- 4** Po použití opatrně sejměte víko.

Při snímání víka dávejte pozor na horkou páru unikající z přístroje.

*Poznámka: Při snímání víka použijte kuchyňské chňapky, abyste se neopařili. Víko snímejte pomalu a směrem od sebe. Vodu zkondenzovanou na víku nechte odkapat do napařovacího košíku.*

*Poznámka: K vyjmutí pokrmu z napařovacích košíků použijte kuchyňské náčiní s dlouhou rukojetí.*

- 5** Při vyjímání napařovacího košíku nechejte zkondenzovanou vodu z košíku odkapat na níže položený napařovací košík nebo na tácek na odkapávání.
- 6** Vyjměte zástrčku ze síťové zásuvky a před vyjmutím tácku na odkapávání nechejte parní ohříváč úplně vychladnout.

**7** Po každém použití vyprázdňte zásobník na vodu: nakloňte základnu dozadu a vylijte vodu ze zadní části základny (Obr. 3).

Při vyjímání tácku na odkapávání a vyprazdňování zásobníku na vodu buďte opatrní, protože voda v nich může být ještě horká, i když ostatní části přístroje vychladly.

*Poznámka: Pokud během napařování dojde voda, rozsvítí se kontrolka prázdného zásobníku na vodu na znamení, že je třeba doplnit zásobník na vodu (Obr. 15).*

*Poznámka: Chcete-li napařovat další pokrmy a potřebujete více vody, můžete doplňovat do zásobníku vody malá množství vody hubičkou pro doplňování vody.*

*Poznámka: Pokud přístroj není po dobu 2 minut používán, automaticky přejde do pohotovostního režimu. Stisknutím tlačítka spuštění/zastavení znovu aktivujete ovládací panel.*

## Ruční režim

Tento režim slouží k rychlé aktivaci parního ohříváče.

- 1** Stisknutím tlačítka časovače nahoru a dolů vyberte požadovanou dobu napařování (Obr. 16).
- 2** Stisknutím tlačítka spuštění/zastavení spustíte proces napařování (Obr. 17).
  - ▶ Spustí se napařování. Kontrolka spuštění/zastavení a kontrolka funkce Turbo pomalu blikají a časovač odpočítává dobu napařování (Obr. 18).
  - ▶ Po uplynutí nastavené doby napařování přístroj vydá zvukový signál a přejde do režimu udržování teploty. Kontrolka funkce udržování teploty se rozsvítí (Obr. 19).

## Programový režim: program pokrmu

Tento program slouží k přípravě kompletního pokrmu, přičemž v jednotlivých košících se pokrm připravuje po různé dlouhou dobu. Přístroj automaticky zahájí napařování pokrmu v napařovacím košíku s nejdelší dobou přípravy a vydá zvukový signál v okamžiku, kdy je třeba vložit napařovací košík nebo košíky s kratší dobou přípravy. Poslední napařovací košík má nejkratší dobu přípravy.

*Poznámka: Chcete-li připravit pokrm a přitom nechcete používat všechny tři napařovací košíky, nastavte časovač pouze pro používané napařovací košíky.*

- 1** Stiskněte tlačítko programu pokrmu. (Obr. 20)
  - ▶ Rozsvítí se kontrolka programu pokrmu a rozsvítí se tři kontrolky napařovacích košíků (Obr. 21).
- 2** Stisknutím tlačítka napařovacího košíku 1, 2 nebo 3 vyberte jeden z napařovacích košíků. (Obr. 22)
  - ▶ Začne blikat příslušná kontrolka.
- 3** Stisknutím tlačítka časovače nahoru a dolů vyberte požadovanou dobu přípravy pro vybraný napařovací košík. (Obr. 23)
- 4** Potvrďte volbu opětovným stisknutím tlačítka napařovacího košíku, jehož dobu přípravy nastavujete. (Obr. 24)
  - ▶ Rozsvítí se puntík pod tlačítkem napařovacího košíku na znamení, že byla nastavena doba.
- 5** Opakujte kroky 2 až 4, dokud nenastavíte všechny požadované napařovací košíky.
- 6** Vložte přísady do napařovacích košíků. Pokud používáte všechny tři napařovací košíky, dejte pokrm s nejdelší dobou přípravy do nejmenšího napařovacího košíku (1), pokrm s druhou nejdelší dobou přípravy do středního napařovacího košíku (2) a pokrm s nejkratší dobou přípravy do největšího napařovacího košíku (3).
- 7** Napařovací košík s nejdelší dobou přípravy umístěte na základnu parního ohříváče.

- 8** Stiskněte tlačítko spuštění/zastavení (Obr. 17).
- ▶ Začne napařování u napařovacího košíku s nejdelsí dobou přípravy. Kontrolka spuštění/zastavení pomalu bliká a časovač odpočítává dobu napařování.
  - ▶ Po nějaké době přístroj vydá zvukový signál a kontrolka napařovacího košíku s druhou nejdelsí dobou přípravy rychle bliká a znamená, že je třeba vložit další napařovací košík (Obr. 25).
- 9** Položte napařovací košík s druhou nejdelsí dobou přípravy navrch napařovacího košíku, který je již vložen v parní ohřívači. Poté stiskněte blikající tlačítko napařovacího košíku nebo tlačítko spuštění/zastavení.
- 10** Parní ohřívač pokračuje v napařování.
- ▶ Kontrolka spuštění/zastavení pomalu bliká a časovač odpočítává dobu napařování.
  - ▶ Po nějaké době přístroj vydá zvukový signál a kontrolka napařovacího košíku s nejkratší dobou přípravy bliká na znamení, že je třeba vložit tento napařovací košík.
- 11** Položte napařovací košík s nejkratší dobou přípravy navrch ostatních napařovacích košíků. Poté stiskněte blikající tlačítko napařovacího košíku nebo tlačítko spuštění/zastavení.
- 12** Parní ohřívač pokračuje v napařování.
- ▶ Kontrolka spuštění/zastavení pomalu bliká a časovač odpočítává dobu napařování.
  - ▶ Po uplynutí doby napařování přístroj vydá zvukový signál a přejde do režimu udržování teploty. Kontrolka udržování teploty a kontrolka spuštění/zastavení pomalu blikají.

---

### Programový režim: program šéfkuchaře

Tento program slouží k přípravě specifických přísad optimálním způsobem s použitím předem nastavených dob a teplot přípravy.

*Poznámka: Program šéfkuchaře lze použít pouze s nejnižším umístěným napařovacím košíkem, který je položen přímo na tácku na odkapávání.*

*Poznámka: Tlačítka předvoleb programu šéfkuchaře mají delší doby přípravy než ruční režim. Důvod spočívá v tom, že teploty vaření používané v těchto předvolbách jsou zčásti nižší než 100 °C, aby bylo dosaženo nejlepších výsledků vaření.*

- 1** Stiskněte tlačítko programu šéfkuchaře (Obr. 26).
- ▶ Rozsvítí se kontrolka tlačítka programu šéfkuchaře a rozsvítí se čtyři tlačítka předvolby (Obr. 27).
- 2** Stiskněte jedno ze čtyř tlačítek předvolby.
- Chcete-li připravit ryby, stiskněte tlačítko pro přípravu ryb (Obr. 28).
  - Chcete-li připravit brambory, stiskněte tlačítko pro přípravu brambor (Obr. 29).
  - Chcete-li připravit rýži, stiskněte tlačítko pro přípravu rýže (Obr. 30).
  - Chcete-li připravit čerstvou zeleninu, stiskněte tlačítko pro přípravu čerstvé zeleniny (Obr. 31).
- 3** V případě potřeby můžete upravit dobu přípravy pomocí tlačítka časovače nahoru a dolů v závislosti na množství a velikosti přísad vložených v napařovacím košíku.
- 4** Stiskněte tlačítko spuštění/zastavení.
- ▶ Spustí se napařování a kontrolka spuštění/zastavení pomalu bliká. Na displeji se střídavě zobrazuje odpočítávání časovače a aktuální teplota přípravy vybraného tlačítka předvolby.
  - ▶ Po uplynutí doby napařování přístroj vydá zvukový signál a přejde do režimu udržování teploty. Kontrolka funkce udržování teploty se rozsvítí.

---

### Režim udržování teploty

Po napařování parní ohřívač automaticky přejde do režimu udržování teploty a rozsvítí se kontrolka funkce udržování teploty.

Režim udržování teploty udržuje pokrm teplý po dobu 20 minut.

- Chcete-li udržovat pokrm teplý po dobu delší než 20 minut, nastavte požadovaný čas pomocí tlačítek časovače nahoru a dolů.

- Pokud chcete zrušit aktivní režim udržování teploty, stiskněte tlačítko spuštění/zastavení.

## Čištění a údržba

K čištění přístroje nikdy nepoužívejte kovové zínky, abrazivní čisticí prostředky ani agresivní čisticí prostředky, jako je například benzín nebo aceton.

- 1 Odpojte zástrčku ze síťové zásuvky a nechte přístroj vychladnout.
- 2 Vnější povrch základny vyčistěte navlhčeným hadříkem.

Základnu nesmíte nikdy ponořit do vody ani mýt pod tekoucí vodou.

- 3 Vyčistěte zásobník na vodu hadříkem namočeným v horké vodě s přídavkem mycího prostředku. Potom otřete zásobník čistým navlhčeným hadříkem.
- 4 Víko myjte ručně v teplé vodě s přídavkem mycího prostředku.

Víko nemyjte v myčce.

- 5 Vyjměte odnímatelná dna z napařovacích košíků. Ručně umyjte napařovací košíky, odnímatelná dna, zvýrazňovač chutí, tácek na odkapávání a mísu na polévku (pouze model HD9190) v teplé vodě s přídavkem mycího prostředku. Tyto části lze mýt také v myčce nádobí, a to v krátkém cyklu a při nízké teplotě.

Opakovaným mytím v myčce mohou napařovací košíky mírně zmatnět.

## Odstranění vodního kamene

Pokud je v zásobníku na vodu viditelný vodní kámen, je nutné přístroj zbavit vodního kamene. Pravidelné odstraňování vodního kamene je důležité pro optimální provoz a prodloužení životnosti přístroje.

- 1 Naplňte zásobník na vodu bílým octem (8% kyselina octová) až po značku MAX.

Pro odstraňování vodního kamene nepoužívejte jiný prostředek.

- 2 Tácek na odkapávání (1) a malý napařovací košík (2) umístěte na základnu (Obr. 32).
- 3 Položte víko na malý napařovací košík (Obr. 33).
- 4 Zasuňte zástrčku do síťové zásuvky.
- 5 Stisknutím tlačítka spuštění/zastavení aktivujte ovládací panel.

- 6 Stiskněte tlačítko spuštění/zastavení a ponechte přístroj zapnutý na 20 minut (Obr. 17).

Jestliže ocet začne překypovat přes okraj základny, odpojte přístroj ze sítě a odeberte určité množství octa.

- 7 Jakmile přístroj vydá zvukový signál, odpojte přístroj ze sítě a nechte ocet úplně vychladnout. Poté vyprázdněte zásobník na vodu.
- 8 Vypláchněte zásobník na vodu několikrát studenou vodou.

*Poznámka: Pokud jsou v zásobníku na vodu ještě patrné zbytky vodního kamene, postup opakujte.*

## Skladování

- 1 Před uskladněním přístroje se ujistěte, že jsou všechny součásti čisté a suché (viz kapitola „Čištění a údržba“).
- 2 Napájecí kabel skladujte tak, že jej navinete na navíječ v základně (Obr. 34).
- 3 Na základnu umístěte tácek na odkapávání (Obr. 35).

- 4 Ujistěte se, že jsou odnímatelná dna umístěna v napařovacích koších.
- 5 Položte velký napařovací košík (3) na tácek na odkapávání. Dejte střední napařovací košík (2) do velkého napařovacího košíku (3). Dejte malý napařovací košík (1) do středního napařovacího košíku (2) (Obr. 36).
- 6 Pouze model HD9190: Dejte mísu na polévku do malého napařovacího košíku (1).
- 7 Dejte víko na mísu na polévku (pouze model HD9190) nebo na malý napařovací košík (Obr. 37).

### Záruka a servis

Potřebujete-li servis, informace nebo dojde-li k potížím, navštivte webovou stránku společnosti Philips [www.philips.com/support](http://www.philips.com/support), nebo se obraťte na středisko péče o zákazníky společnosti Philips ve své zemi. Příslušné telefonní číslo najdete v záručním listu s celosvětovou platností. Pokud se ve vaší zemi středisko péče o zákazníky nenachází, kontaktujte místního dodavatele výrobků Philips.

### Životní prostředí

- Až přístroj doslouží, nevyhazujte jej do běžného komunálního odpadu, ale odevzdejte do sběrný určené pro recyklaci. Pomůžete tím chránit životní prostředí (Obr. 38).

### Odstraňování problémů

V této kapitole jsou shrnuty nejběžnější problémy, se kterými se můžete u přístroje setkat. Pokud se vám nepodaří problém vyřešit podle následujících informací, kontaktujte Středisko péče o zákazníky ve své zemi.

Problém	Možná příčina	Řešení
Parní ohřívač nefunguje.	Parní ohřívač není připojen do sítě.	Zasuňte zástrčku do síťové zásuvky.
	V zásobníku není dostatek vody.	Naplňte nádržku na vodu.
	Nestiskli jste tlačítko spuštění/zastavení.	Stiskněte tlačítko spuštění/zastavení.
Nejsou hotové všechny pokrmy.	Některé kousky jídla v parním ohřívači jsou větší a vyžadují delší dobu napařování než ostatní kousky.	Pomocí tlačítka + nastavte delší dobu napařování.
		Větší kousky pokrmů a pokrmy vyžadující delší dobu napařování pokládejte do malého napařovacího košíku (1) a začněte je ohřívat určitou dobu před vložením ostatních košíků.
	V napařovacích koších je příliš mnoho pokrmu.	Nepřepĺňujte napařovací košíky. Nakrájíte jídlo na malé kousky a položte nejmenší kousky navrch.  Nechte mezi kousky pokrmu trochu místa a pokrm rovnoměrně rozložte po dně košíku.



Problém	Možná příčina	Řešení
Přístroj se řádně nerozehřeje.	Neprovádíte pravidelné odstranění vodního kamene.	Odstraňte vodní kámen. Viz kapitola „Čištění a údržba“.
Během napařování stříká voda ze zásobníku na vodu.	Nalili jste do zásobníku na vodu příliš mnoho vody.	Odstraňte ze zásobníku na vodu přebytečnou vodu. Zkontrolujte, zda voda nepřesahuje značku MAX.
Kontrolka prázdného zásobníku na vodu se rozsvítí, přestože v zásobníku na vodu je dostatečné množství vody.	Na topném tělese je příliš mnoho vodního kamene.	Odstraňte vodní kámen ze zásobníku na vodu. Viz část „Odstraňování vodního kamene“ v kapitole „Čištění a údržba“.
Zvýrazňovač chutí má omezený nebo žádný účinek.	Nevložili jste do zvýrazňovače chutí dostatečné množství bylinek.	Vložte do zvýrazňovače chutí více bylinek.
	Nevložili jste do zvýrazňovače chutí správný typ bylinek.	Vložte do zvýrazňovače chutí silně aromatické bylinky. Viz tabulka napařování pokrmů v kapitole „Tabulka pokrmů a tipy pro napařování“.
	Pokrm jste konzumovali poměrně dlouho po přípravě.	Zkonzumujte pokrm ihned po dokončení přípravy.
V zásobníku na vodu nebo na tácku na odkapávání je pěna.	K vytvoření pěny může dojít v případě, že se v zásobníku na vodu nebo na tácku na odkapávání ocitnou bílkoviny nebo v případě, že se za zásobníkem na vodu zachytí čisticí prostředky.	Vyčistěte zásobník na vodu. Viz kapitola „Čištění a údržba“.

### Tabulka pokrmu a tipy pro napařování

- Recepty naleznete v knize receptů nebo navštivte webovou adresu [www.philips.com/kitchen](http://www.philips.com/kitchen).
- Doba napařování uvedená v tabulce je pouze orientační. Doba napařování se může lišit v závislosti na velikosti kousků pokrmu, na rozložení pokrmu v napařovacím košíku, na množství pokrmu v košíku, na čerstvosti pokrmu a na vaší chuti.

### Tabulka pro napařování pokrmů

Napařovaný pokrm	Množství	Doba napařování (minuty)	Doporučené bylinky/koření pro zvýrazňovač chutí
Chřest	500 g	15 - 20	Tymián, bazalka, citrón
Baby kukuřice	200 g	5 - 8	Pažitka, chilli, paprika
Zelené fazole	500 g	15 - 20	Petržel, citrón, česnek
Brokolice	400 g	20	Česnek, drčená červená paprika, estragon
Mrkev	500 g	20	Petržel, sušená hořčice, pažitka

Napařovaný pokrm	Množství	Doba napařování (minuty)	Doporučené bylinky/koření pro zvýrazňovač chutí
Růžičky květáku	400 g	20	Rozmarýn, bazalka, estragon
Celer (kostky)	300 g	15 - 20	Kmín, bílý pepř, chilli
Kuřecí noha	1 ks	25	Černý pepř, citrón, paprika
Kukuřičný klas	500 g	30 - 40	Petržel, česnek, pažitka
Cuketa (plátky)	500 g	10	Kopr, šalvěj, rozmarýn
Kuskus	150 g + 250 ml vody	10 - 15	Kmín, koriandr, hřebíček
Vejce	6 ks	12-15	-
Ovoce	500 g/4 ks	10 - 15	Skořice, citrón, hřebíček
Hrášek (mražený)	400 g	20 - 25	Rozmarýn, kmín, petržel
Brambory	400 g	25 - 30	Petržel, pažitka, česnek
Krevety	200 g	5	Koření kari, šafrán, citrón
Pudinky	4 mísy	20	Skořice, hřebíček, vanilka
Rýže	150 g + 300 ml vody	35	Pandán, petržel, kmín
	250 g + 500 ml vody	35	Pandán, petržel, kmín
Losos	450 g	12-15 min.	Kopr, petržel, bazalka
Bílá ryba	450 g	10 - 15	Sušená hořčice, nové koření, majoránka

### Doby napařování přednastavených režimů (Obr. 39)

#### Tipy pro napařování pokrmů

##### Zvýrazňovač chutí

- Mezi bylinky a koření, které můžete přidat do zvýrazňovače chutí, patří rozmarýna, tymián, koriandr, bazalka, kopr, kari koření nebo estragon. Lze je kombinovat s česnekem, kmínem nebo křenem a dochutit tak pokrm i bez použití soli. Doporučené množství sušených bylinek nebo koření je 1/2 až 3 čajové lžičky. V případě čerstvých bylin nebo koření použijte větší dávku.
- Zvýrazňovač chutí je neúčinnější u pokrmu připravovaného na nejnižší umístěném košíku, který je položen přímo na tácku na odkapávání.
- Další tipy pro použití bylinek, koření a tekutin ve zvýrazňovači chutí naleznete ve výše uvedené tabulce napařování pokrmů.
- Pokud na pokrm dáte trochu oleje, dojde ke zvýšení efektu zvýrazňovače chutí a pokrm také získá plnější chuť.
- Nejlepších výsledků dosáhnete, pokud bylinky nasekáte na jemné kousky a rovnoměrně naplníte zvýrazňovač chutí.
- Chcete-li si dopřát nejlepší chuť, doporučujeme zkonzumovat pokrm ihned po dokončení přípravy.
- Do zvýrazňovače chutí nelijte žádné tekutiny.

### **Zelenina a ovoce**

- Od kvěťáku, brokolice a salátu odkrojte silné košťály.
- Listovou zeleninu napařujte co nejkratší dobu, protože snadno ztratí barvu.
- Zeleninu před napařováním nerozmrazujte.

### **Maso, drůbež, mořské produkty a vejce**

- Pro napařování jsou nejvhodnější libové kousky masa s malým obsahem tuku.
- Maso řádně opláchněte a do sucha oklepejte, aby v něm zůstalo co nejméně šťávy.
- Vždy vkládejte maso, drůbež, ryby nebo vejce pod ostatní typy pokrmů, zabráníte tak odkapávání šťávy.
- Vejce před vložením do parního ohříváče propíchněte.
- Nenapařujte zmražené maso, drůbež a mořské produkty. Zmražené maso, drůbež a mořské produkty vždy před vložením do parního ohříváče úplně rozmrazte.

### **Sladké dezerty**

- Místo přidávání cukru můžete sladkou chuť dezertů zvýraznit přidáním skořice.

### **Základní tipy**

- Pouze model HD9190: Při přípravě rýže dejte do misky na polévku vodu společně s rýží. Potřebná množství naleznete ve výše uvedené tabulce napařování pokrmů.
- Po dokončení vaření rýže pomocí tlačítka předvolby vypněte přístroj, rýži promíchejte a ponechte ji v míse zakryté víkem po dobu 5 minut. Takto dosáhnete ještě lepšího výsledku.
- Pouze model HD9190: Mísa na polévku může kromě přípravy polévky sloužit také k přípravě zeleniny v omáčce, vaření ryb, vaření marinovaných pokrmů a k přípravě pudinku, polévky a rýže.
- Nechte mezi kousky pokrmu trochu místa a pokrm rovnoměrně rozložte pod dně košíku.
- V případě, že v košíku napařujete velké množství přísad, promíchejte pokrm v polovině napařování.
- Malé množství pokrmu vyžaduje kratší dobu napařování než velké množství.
- Při použití pouze jednoho napařovacího košíku se pokrm napařuje kratší dobu než při použití dvou nebo tří napařovacích košíků.
- Použijete-li více než jeden napařovací košík, nechte pokrm vařit o 5 až 10 minut déle.
- Pokrm v malém napařovacím košíku (1) je rychleji hotový než pokrm v horních napařovacích koších.
- Před konzumací zkontrolujte dostatečné tepelné zpracování pokrmu. To je zvláště důležité u masa, jako je například vepřové, mleté hovězí maso a kuře.
- Během napařování lze přidávat pokrmů nebo napařovací košíky naplněné pokrmů. Pokud některá přísada vyžaduje kratší dobu napařování, přidejte ji později.
- Po přepnutí parního ohříváče do režimu udržování teploty se pokrm ještě po určitou dobu napařuje, proto v případě, že pokrm je dobře provařený, vyjměte jej po dokončení napařovacího programu z parního ohříváče.
- Není-li pokrm uvařený, nastavte delší dobu napařování. Možná bude třeba do zásobníku vody přidat vodu.
- Pouze model HD9190: Parní ohříváč lze použít pro ohřívání hotových polévek. Polévku nalijte do misky na polévku a ohřívajte v přednastaveném režimu napařování pro přípravu ryb. Ohřátí 250 ml polévky trvá přibližně 10 minut.

## Sissejuhatus

Palju õnne ostu puhul ja tere tulemast Philipsi toodete kasutajate hulka! Philipsi klientidele tõhusamaks kasutamiseks registreerige toode veebilehel [www.philips.com/welcome](http://www.philips.com/welcome).

## Üldine kirjeldus (Jn 1)

- 1 Juhtpaneel ekraani ja nuppudega
  - a) Käivitamis-/seiskamis- ja peatamisnupp
  - b) Taimeri nupud + ja –
  - c) „Veepaak tühi” märgutuli
  - d) Aurutusnõude nupud (1, 2, 3)
  - e) Iseseadistava programmi nupp
  - f) Eelseadistusprogrammi nupp
  - g) Eelseadistusprogrammi nupud (kala, kartulid, riis, lehtköögiviljad)
  - h) Taimeri näidik
  - i) „Soojana hoidmine” märgutuli
  - j) Kiirsoojendamise märgutuli
- 2 Veepaagiga alus
- 3 Temperatuurisensor
- 4 Tilgakoguja
- 5 Aroomisõel
- 6 Väike aurutusnõu (1)
- 7 Keskmise suurusega aurutusnõu (2)
- 8 Suur aurutusnõu (3)
- 9 Supianum (vaid mudeli HD9190 puhul)
- 10 Kaas
- 11 Auruavad
- 12 Kaane käepide
- 13 Eemaldatav põhi
- 14 Ava vee lisamiseks
- 15 Juhtmehoidik

*Märkus. Aurutusnõud on nummerdatud numbritega 1–3. Numbreid näete aurutusnõude käepidemedel. Kõiki suuremaid nõusid on võimalik panna väiksema peale, kuid kõige paremini saab neid paigutada suuruse järjekorras, alustades väikseimast (1), asetades selle peale keskmise suurusega nõu (2) ja selle peale omakorda suurima (3).*

*Märkus mudeli HD9190 kohta: supinõud saab kõige paremini kasutada koos suure nõuga (3).*

*Märkus. Kasutage aurutusnõude all alati tilgakogujat ja tarvitage aurutusnõusid üksnes koos toiduga.*

## Tähtis

Enne seadme kasutamist lugege seda kasutusjuhendit hoolikalt ja hoidke see edaspidiseks alles.

### Oht

- Ärge kunagi kastke seadme alust vette ega loputage kraani all.

## Hoiatus

- Enne seadme ühendamist vooluvõrku kontrollige, kas seadmele märgitud toitepinge vastab kohaliku elektrivõrgu pingele.
- Ühendage seade ainult maandatud seinakontakti. Veenduge, et pistik oleks kindlalt seinakontakti sisestatud.
- Seade ei ole mõeldud välise taimeri või eraldi kaugjuhtimissüsteemi abil kasutamiseks.
- Ärge kasutage seadet, kui selle pistik, toitejuhe või seade ise on kahjustatud.
- Kui toitejuhe on kahjustatud, peab selle ohtlike olukordade vältimiseks uue vastu vahetama Philips, Philipsi volitatud hoolduskeskus või samaväärset kvalifikatsiooni omav isik.
- Seda seadet ei tohi kasutada füüsilise, meelega või vaimse häirega isikud ega ka ebapiisavate kogemuste või teadmistega isikud (kaasa arvatud lapsed), välja arvatud juhul, kui nende ohutuse eest vastutav isik neid seadme kasutamise juures valvab või on neid selleks juhendanud.
- Lapsi tuleks jälgida, et nad ei mängiks seadmega.
- Hoidke toitejuhe laste käeulatuses kaugemal. Ärge jätke toitejuhet rippuma üle lauaserva või tööpinna, millel seade asub.
- Hoidke toitejuhe tulistest pindadest eemal.
- Enne seadme ühendamist vooluvõrku kerige toitekaabel aluses olevalt rullilt lahti.
- Ärge kunagi aurutage külmutatud liha, linnuliha või mereande. Alati sulatage need toiduained täielikult enne aurutamist.
- Ärge kunagi kasutage toiduaurutit ilma tilgakogujata, vastasel juhul võib kuum vesi seadmest välja pritsida.
- Kasutage aurutusnõusid ja supinõud ainult koos originaalalusega (üksnes HD9190 puhul).

## Ettevaatust

- Seade on mõeldud üksnes tavapäraseks kodukasutuseks. See pole mõeldud kasutamiseks kaupluste, kontorite, talumajapidamiste ega muude töokeskkondade töötajate köökides. Samuti pole see mõeldud klientidele kasutamiseks hotellides, motellides, öömajades ega teistes majutusasutustes.
- Seadme väärkasutusel, kasutamisel professionaalsel või poolprofessionaalsel eesmärgil või kui seadet ei kasutata kasutusjuhendile vastavalt, kaotab garantii kehtivuse, kusjuures Philips ei võta endale vastutust põhjustatud kahjustuste eest.
- Ärge kunagi kasutage teiste tootjate poolt tehtud tarvikuid või osi, mida firma Philips ei ole eriliselt soovitanud. Kui kasutate selliseid tarvikuid või osi, siis muutub seadme garantii kehtetuks.

- Ärge laske seadmel kokku puutuda kõrgete temperatuuride, kuuma gaasi, auru või niiske kuumusega, mis pärinevad muudest allikatest peale auruti enda. Ärge asetage toiduaurutit töötava või kuuma ahju või pliidi peale.
- Ärge pange seadet aurust kahjustuvate asjade (nt seinad ja riulid) alla või lähedale.
- Ärge kasutage seadet plahvatusohtlike või kergestisüttivate aurudega keskkonnas.
- Asetage seade stabiilsele, horisontaalsele ja tasasele pinnale ning veenduge, et ülekuumenemise vältimiseks oleks selle ümber vähemalt 10 cm vaba ruumi.
- Pange eemaldatavad alused aurutusnõudesse alati ülevalt poolt. Aluste õigeks paigaldamiseks pange alus ühte poolt kallutades nõusse ja kallutage siis teist poolt, kuni alus klõpsatusega lukustub ("klõps"). Veenduge, et aluse põhjas olev kumerus oleks üleval pool. (Jn 2)
- Hoiduge kuuma auru eest, mis väljub toiduaurutist aurutamisel, soojana hoidmise režiimi kasutamisel ja kaane eemaldamisel. Toidu kontrollimisel kasutage alati pikavarrelisi köögiriistu.
- Ärge kummarduge töötava auruti kohale.
- Ärge katsuge seadme kuumi pindu. Kasutage seadme kuumade osade käsitlemisel alati pajakindaid.
- Ärge teisaldage aurutit kasutamise ajal.
- Eemaldage kaas alati ettevaatlikult ja pange endast kaugemale. Põletamise vältimiseks laske kondensaadil kaanelt aurutisse tilkuda.
- Kui toit on kuum, hoidke aurutusnõud alati käepidemetest.
- Ärge tühjendage veepaaki vee lisamise ava kaudu. Veepaagi tühjendamiseks kallutage alust tahapoole ja valage see tühjaks (Jn 3).
- Enne hoiustamist võtke alati pistik seinakontaktist välja ja laske seadmel jahtuda.

### **Automaatne väljalülitumine**

Seadmel on automaatse väljalülitumise funktsioon. Seade lülitub automaatselt välja, kui te ei vajuta nuppu 2 minuti jooksul alates seadme sisselülitamisest. Seade lülitub automaatselt välja ka siis, kui määratud aurutusaeg (koos soojana hoidmise ajaga) on möödunud.

### **Kuivaltkeemise kaitse**

Käesoleval toiduaurutil on kuivaltkeemise kaitse. Kuivaltkeemise kaitse lülitab kütteelemendi automaatselt välja, kui veepaagis pole vett või kui vesi saab töötamise käigus otsa. Et seadet uuesti kasutada, täitke veepaak kuni maksimaalse täitmise näidikuni külma veega.

### **Elektromagnetväljad (EMF)**

See Philipsi seade vastab kõikidele elektromagnetvälju (EMF) käsitlevatele standarditele. Kui seadet käsitletakse õigesti ja käesolevale kasutusjuhendile vastavalt, on seadet tänapäevaste teaduslike tõendite alusel ohutu kasutada.

## Enne esimest kasutamist

- 1 Enne seadme esmakasutust puhastage põhjalikult kõik toiduainetega kokkupuutuvad seadme osad (vt ptk „Puhastamine ja hooldamine”).
- 2 Puhastage veepaagi sisemus niiske lapiga.

## Kasutamiseks valmistumine

- 1 Pange seade kindlale, horisontaalsele ja tasasele pinnale.
- 2 Enne seadme ühendamist vooluvõrku kerige toitekaabel aluses olevalt rullilt lahti.
- 3 Täitke veepaak veega kuni tähiseni MAX (Jn 4).
  - ▶ Kui veepaak on täidetud tähiseni MAX, saab auruti töötada umbes 60 minutit.

Ärge kunagi täitke veenõud üle MAX-tähise.

Täitke veepaaki ainult veega. Ärge kunagi lisage veepaaki maitseaineid, õli või muid aineid.

- 4 Pange tilgakoguja aluses olevale veepaagile (Jn 5).

*Märkus. Ärge kunagi kasutage seadet ilma tilgakogujata ning ärge kunagi valage tilgakogujasse vett, maitseaineid, õli või muid aineid.*

- 5 Asetage aroomisõel Aroma Infuser tilgakogujale, kui soovite aurutatavale toidule maitset juurde anda. (Jn 6)

- Täitke aroomisõel värskeste või kuivatatud maitseürtidega.
- Soovitatud maitsetaimede või -ainete kasutamise kohta eri tüüpi toidus lugege ptk „Toidutabel ja aurutamispunäited” toodud aurutamistabelist.

- 6 Pange aurutatav toit ühte või mitmesse aurutusnõusse ja/või supinõusse (üksnes mudeli HD9190 puhul). (Jn 7)

- Pange eemaldatavad alused aurutusnõudesse alati ülevalt poolt. Aluste õigeks paigaldamiseks pange alus ühte poolt kallutades nõusse ja kallutage siis teist poolt, kuni alus klõpsatusega lukustub (“klõps”). Veenduge, et aluse põhjas olev kumerus oleks üleval pool (Jn 2).
- Ärge pange aurutusnõudesse liiga palju toiduaineid. Jätke toidutükkide vahele natuke ruumi ja paigutage need ühtlaselt nõu põhja.
- Üksnes mudeli HD9189 puhul: riisi küpsetamiseks võite kasutada kergest kaussi, mille saab paigutada aurutusnõu sisse. Veenduge, et kausi ümber oleks natuke ruumi, et aur saaks auruti sees korralikult ringelda.
- Pange suuremad toidutükid ja toit, mis vajab pikemat aurutamist, kõige alumisse aurutusnõusse (1).
- Munade mugavaks aurutamiseks pange munad munahoidjasse (Jn 8).
- Suuremahuliste toiduainete (nt terve kana või maisitõlvikute) aurutamiseks võite eemaldada keskmise aurutusnõu (2) ja suure aurutusnõu (3) eemaldatavad alused, et tekiks üks suur aurutusnõu.

*Märkus. Aurutusnõud mahutavad maksimaalselt 1 kg.*

- 7 Asetage üks või mitu aurutusnõud tilgakogujale. Asetage nõud õigesti ja veenduge, et need ei kõigu (Jn 9).

- Te ei pea kasutama kõiki kolme aurutusnõud.
- Aurutusnõud on nummerdatud numbritega 1–3. Numbreid näete nende käepidemel. Kõiki suuremaid nõusid on võimalik panna väiksema peale, kuid kõige paremini saab neid paigutada suuruse järjekorras, alustades väikseimast (1), asetades selle peale keskmise suurusega nõu (2) ja selle peale omakorda suurima nõu (3). Kasutage aurutusnõude all alati tilgakogujat ja tarvitage aurutusnõusid üksnes koos toiduga (Jn 10).

- Üksnes mudeli HD9190 puhul: supianum on mõeldud üksnes supi, teiste vedelate toitude ja kala valmistamiseks. Kui soovite supinõud kasutada, paigutage see suurde aurutusnõusse (3) (Jn 11).
- Üksnes mudeli HD9190 puhul: kui te võtate suurest aurutusnõust (3) välja eemaldatava aluse, et selle all oleva keskmise aurutusnõu abil tekiks suurem aurutamisruum, saate endiselt selle peale paigutada supianuma, et valmistada pealmises nõus kala, riisi või suppi (Jn 12).
- Kui te võtate keskmise suurusega nõust (2) välja eemaldatava aluse, et selle all oleva väiksema aurutusnõu (1) abil tekiks suurem aurutamisruum, saate nende peale ikkagi paigutada ka suurima aurutusnõu (3).

## **8 Pange kaas aurutusnõule (Jn 13).**

*Märkus. Kui kaas ei ole õigesti aurutusnõu peale paigutatud, ei auruta seade toitu korralikult.*

### **Seadme kasutamine**

Aurutil on kaks aurutusrežiimi:

- 1 käsitsirežiim auruti kiireks käivitamiseks;
- 2 programmirežiim:
  - iseseadistatav programm, et valmistada kogu toit korraga, kasutades eri nõudes erinevaid aurutusaegu;
  - eelseadistusprogramm eelseadistusnuppudega, et valmistada toitu eelnevalt kindlaks määratud valmistusaja ja temperatuuridega.

Nende režiimide kasutamise kohta lisateabe saamiseks tutvuge vastavate osadega allpool.

### **Kasutusjuhend**

Alljärgnevat juhendeid tuleb järgida kõigi kolme aurutusrežiimi korral.

#### **1 Sisestage pistik pistikupessa.**

- ▶ Sisse- ja väljalülitamise nupu märgutuli süttib ja ekraanile ilmub aurutusaja vaikeseade (20 minutit) (Jn 14).

#### **2 Valige üks kahest aurutusrežiimist ja järgige juhendeid (tutvuge erinevaid aurutusrežiime käsitlevate osadega allpool).**

*Märkus. Te ei saa korraga kasutada mõlemat aurutusrežiimi. Samuti ei ole korraga võimalik kasutada iseseadistatavat programmi ega eelseadistusprogrammi.*

*Märkus. Kui aurutate suuri toidukoguseid, segage toitu poole aurutamise ajal mõne pikavarrelise köögiriistaga. Kasutage kindlasti pajakindaid.*

*Märkus. Aurutusprotsessi esimese 15 minuti jooksul süttib kiirsoojendamise märgutuli. See tähendab seda, et auruti kasutab lisaenergiat, et kiiresti soojeneda.*

- 3** Kui aurutusprotsess on lõppenud, piiksub seade viis korda ja lülitub siis automaatselt ümber soojana hoidmise režiimile (vt osa pealkirjaga "Soojana hoidmise režiim").

#### **4 Pärast kasutamist eemaldage ettevaatlikult kaan.**

Olge ettevaatlikud kaane eemaldamisel seadmest väljuva kuuma auruga.

*Märkus. Põletuse vältimiseks kasutage kaane eemaldamisel pajakindaid. Võtke kaas ära aeglaselt ja seda endast eemal hoides. Laske kondensaadil kaanelt aurutusnõusse tilkuda.*

*Märkus. Toidu eemaldamiseks aurutusnõudest kasutage pikavarrelist köögiriista.*

- 5** Aurutusnõu eemaldamisel laske kondensaadil nõust allolevasse aurutusnõusse või tilgakogujale tilkuda.

- 6** Enne tilgakoguja eemaldamist tõmmake pistik seinakontaktist ja laske toiduaurutil täielikult jahtuda.



**7** Tühjendage veepaak pärast iga kasutuskorda, kallutades alust tahapoole ja valades nii vee alusest välja (Jn 3).

Olge tilgakoguja ja veepaagi eemaldamisel ettevaatlik, kuna neis mõlemas võib vesi veel kuum olla, isegi kui seadme ülejäänud osad on maha jahtunud.

*Märkus. Kui aurutamise ajal saab vesi otsa, süttib märgutuli “Veepaak tühi”, andmaks märku, et peate veepaagi uuesti veega täitma (Jn 15).*

*Märkus. Kui te tahate veel toitu aurutada ja peate vett lisama, saate veepaagi täitmiseks väikeses koguses vett lisada ka vee lisamise ava kaudu.*

*Märkus. Seade lülitub automaatselt ooterežiimile, kui seda ei ole 2 minutit kasutatud. Vajutage juhtpaneeli aktiveerimiseks käivitamis-/seiskamisnuppu.*

### **Käitsirežiim**

Selle režiimi abil saate auruti kiiresti aktiveerida.

**1** Vajutage taimeri aja määramise nuppu, et valida sobilik aurutsaeg (Jn 16).

**2** Aurutamise protsessi alustamiseks vajutage käivitamis-/seiskamisnuppu (Jn 17).

- Aurutamine algab. Käivitamise/seiskamise ja kiirsoojendamise märgutuli vilguvad aeglaselt ning taimer hakkab seadistatud aurutamisaega loendama (Jn 18).
- Kui aeg on täis, seade piiksub ja lülitub ümber soojana hoidmise režiimile. Soojana hoidmise märgutuli süttib (Jn 19).

### **Programmirežiim: iseseadistatav programm**

See programm sobib kogu söögikorraks vajaliku toidu küpsetamiseks igas aurutsaegses erinevat valmistamisaega kasutades. Seade hakkab automaatselt aurutama toitu, mille valmistusaeg on kõige pikem, ning annab piiksumisega märku, kui lisada tuleks lühema valmistusajaga aurutsaeg(d). Kõige viimasena lisatakse aurutsaeg, mille aurutsaeg on kõige lühem.

*Märkus. Kui te soovitate valmistada toitu ilma kõiki aurutsaegsusi kasutamata, seadistage taimer üksnes nende aurutsaegsude jaoks, mida kasutama hakkate.*

**1** Vajutage iseseadistamisprogrammi nupule. (Jn 20)

- Süttivad nii selle programmi märgutuli kui ka kolme aurutsaegsuse märgutuled. (Jn 21)

**2** Aurutsaegsuse valimiseks valige üks kolmest aurutsaegsuse nupust (1, 2, 3). (Jn 22)

- Vastav märgutuli hakkab vilkuma.

**3** Vajutage taimeri + ja – nuppe, et määrata valitud aurutsaegsuse vajalik valmistusaeg. (Jn 23)

**4** Vajutage kinnitamiseks uuesti selle aurutsaegsuse nuppu, millele te taimeriga aja määrasite. (Jn 24)

- Vastava aurutsaegsuse all süttib tuluke, mis näitab, et selle nõu jaoks on taimer seadistatud.

**5** Korrake samme 2–4, kuni olete seadistanud taimeri kõigi aurutsaegsude jaoks, mida tahate kasutada.

**6** Pange komponendid aurutsaegsusesse. Kui kasutate kõiki kolme aurutsaegsuse, pange kõige pikema valmistusajaga toit kõige väiksemasse nõusse (1), keskmise valmistusajaga toit pange keskmise suurusega nõusse (2) ning kõige lühema valmistusajaga toit kõige suuremasse (3).

**7** Pange kõige pikema valmistusajaga aurutsaegsuse auruti alusele.

- 8** Vajutage käivitamis-/seiskamisnuppu (Jn 17).
- ▶ Algab aurutamine kõige pikema valmistusajaga aurutusnõus. Käivitamise/seiskamise märgutuli vilgub aeglaselt ning taimer loendab aurutamisaega.
  - ▶ Mõne aja pärast auruti piiksub ning pikkuselt järgmise valmistusajaga aurutusnõu märgutuli vilgub kiiresti, et anda märku sellest, et aurutile tuleb lisada järgmine nõu. (Jn 25)
- 9** Paigutage pikkuselt järgmise valmistamisajaga aurutusnõu juba aurutile paigutatud nõule ning vajutage vilkuvat aurutusnõu nuppu või käivitamis-/seiskamisnuppu.
- 10** Auruti jätkab aurutamist.
- ▶ Käivitamise/seiskamise märgutuli vilgub kiiresti ja taimer hakkab aurutusaega loendama.
  - ▶ Mõne aja pärast auruti piiksub ning lühima valmistusajaga aurutusnõu märgutuli vilgub kiiresti, et anda märku sellest, et aurutile tuleb lisada viimane aurutusnõu.
- 11** Paigutage lühima valmistusajaga aurutusnõu juba aurutile paigutatud nõudele ning vajutage vilkuvat aurutusnõu nuppu või käivitamis-/seiskamisnuppu.
- 12** Auruti jätkab aurutamist.
- ▶ Käivitamise/seiskamise märgutuli vilgub aeglaselt ning taimer loendab aurutamisaega.
  - ▶ Kui aurutamise aeg on täis, seade piiksub ning lülitub ümber soojas hoidmise režiimile. Soojas hoidmise märgutuli ja käivitamis-/seiskamisnupp vilguvad aeglaselt.

### Programmirežiim: eelseadistusprogramm

---

See programm sobib konkreetsete komponentide aurutamiseks parimal võimalikul moel ning eelnevalt kindlaks määratud valmistusaegade ja temperatuuridega.

*Märkus. Seda programmi saab kasutada üksnes kõige alumise aurutusnõuga, mis paigutatakse vahetult tilgakogujale.*

*Märkus. Eelseadistusprogrammi seadistusnuppudel on pikem ettevalmistusaeg kui käitsirežiimil. Seda seetõttu, et eelseadistusprogrammi temperatuurid on parima tulemuse saavutamiseks osaliselt alla 100 °C.*

- 1** Vajutage eelseadistusprogrammi nupule (Jn 26).
- ▶ Süttivad nii eelseadistusprogrammi märgutuli kui ka nelja eelseadistusnupu märgutuled (Jn 27).
- 2** Vajutage ühte neljast eelseadistusnupust.
- Vajutage kala valmistamiseks kala nuppu (Jn 28).
  - Vajutage kartulite valmistamiseks kartuli nuppu (Jn 29).
  - Vajutage riisi valmistamiseks riisi nuppu (Jn 30).
  - Vajutage lehtkõõgiljade valmistamiseks kõõgiljade nuppu (Jn 31).
- 3** Vajaduse korral saate taimeri + ja – nuppudega valmistusaega reguleerida, sõltuvalt aurutusnõus olevate komponentide kogusest ja suurusest.
- 4** Vajutage käivitamis-/seiskamisnuppu.
- ▶ Aurutamine algab ning käivitamise/seiskamise märgutuli vilgub aeglaselt. Ekraanil on vaheldumisi näha nii taimeriga seadistatud aja kulumine kui ka valitud eelseadistusnupu hetketemperatuur.
  - ▶ Kui aeg on täis, seade piiksub ja lülitub ümber soojana hoidmise režiimile. Soojana hoidmise märgutuli süttib.

### Soojana hoidmise režiim

---

Pärast aurutamist lülitub auruti automaatselt ümber soojana hoidmise režiimile ning süttib soojendamise märgutuli.

Soojana hoidmise režiim hoiab toitu soojana 20 minutit.

- Kui soovite toitu soojas hoida kauem kui 20 minutit, vajutage aja määramiseks taimeri + ja – nuppe.
- Aktiivse soojana hoidmise režiimi inaktiveerimiseks vajutage käivitamis-/seiskamisnuppu.

## Puhastamine ja hooldus

Ärge kunagi kasutage seadme puhastamiseks küürimiskäsnu, abrasiivseid puhastusvahendeid ega sööbivaid vedelikke, nagu bensiin või atsetoon.

**1** Eemaldage pistik seinakontaktist ja laske seadmel jahtuda.

**2** Puhastage aluse välispinda niiske lapiga.

Ärge kunagi kastke alust vette ega loputage seda voolava vee all.

**3** Puhastage veepaaki lapiga, mida on niisutatud sooja vee ja vähese nõudepesuvahendiga. Seejärel pühkige veepaaki puhta niiske lapiga.

**4** Puhastage kaant käsitsi sooja vee ja nõudepesuvahendiga.

Ärge peske kaant nõudepesumasinas.

**5** Võtke eemaldatavad põhjad aurutusnõudest välja. Puhastage aurutusnõud, eemaldatavad põhjad, aroomisõel, tilgakoguja ja supianum (mudeli HD9190 puhul) käsitsi sooja vee ja nõudepesuvahendiga. Kõiki neid osasid saab pesta ka nõudepesumasinas lühikest pesutsükli ja madalat temperatuuri kasutades.

Aurutusnõude sage pesemine nõudepesumasinas võib põhjustada osade kergest tuhmunist.

## Katlakivi eemaldamine

Seadet on vaja katlakivist puhastada siis, kui katlakivi on veepaagis silmaga näha. Optimaalse töövõime säilitamiseks on oluline, et toiduaurutit puhastataks regulaarselt.

**1** Kallake veepaaki kuni tähiseni MAX äädikat (8% äädikhapet).

Ärge kasutage muud tüüpi katlakivieemaldajaid.

**2** Asetage tilgakoguja ja väike aurutusnõu (1) korralikult alusele (Jn 32).

**3** Pange kaas väikese aurutusnõu peale (Jn 33).

**4** Sisestage pistik pistikupessa.

**5** Vajutage juhtpaneeli aktiveerimiseks käivitamis-/seiskamisnuppu.

**6** Vajutage käivitamis-/seiskamisnuppu, et lasta seadmel töötada 20 minutit (Jn 17).

Kui äädikas hakkab aluse äärtest üle keema, tõmmake pistik seinakontaktist ja kallake osa äädikat minema.

**7** Kui seade piiksub, eemaldage pistik seinakontaktist ja laske äädikal täielikult jahtuda. Seejärel tühjendage veepaak.

**8** Loputage veepaaki külma veega mõned korrad.

*Märkus. Kui veepaaki on jäänud veel katlakivi, siis korrake toimingut.*

## Hoiustamine

**1** Enne seadme hoiustamist veenduge, et kõik osad oleksid puhtad ja kuivad (vt ptk „Puhastamine ja hooldus”).

**2** Toitejuhtme hoiustamiseks keerake see ümber aluses oleva rulli (Jn 34).

**3** Asetage tilgakoguja alusele (Jn 35).

**4** Veenduge, et eemaldatavad põhjad on aurutusnõudesse asetatud.

- 5** Pange suurim aurutusnõu (3) tilgakogujale. Nüüd pange keskmise suurusega aurutusnõu (2) suurimasse aurutusnõusse (3). Lõpetuseks pange väikseim aurutusnõu (1) keskmise suurusega nõusse (Jn 36).
- 6** Üksnes mudeli HD9190 puhul: paigutage supianum väikse aurutusnõu peale (1).
- 7** Pange kaas supianuma (üksnes mudeli HD9190 puhul) või väikse aurutusnõu peale (Jn 37).

## Garantii ja hooldus

Kui vajate hooldust, teavet või teil on probleem, külastage Philipsi veebilehte [www.philips.com/support](http://www.philips.com/support) või pöörduge oma riigi Philipsi klienditeeninduskeskusesse. Telefoninumbri leiате ülemaailmselt garantielehelt. Kui teie riigis ei ole klienditeeninduskeskust, pöörduge Philipsi kohaliku müügiesindaja poole.

## Keskond

- Seadme kasutusaja lõppedes ärge visake seda minema tavalise olmeprügi hulka, vaid viige see ringlussevõtuks ametlikku kogumispunkti. Nii toimides aitate te hoida loodust (Jn 38).

## Veaotsing

Käesolev peatükk esitab kokkuvõtte seadmel esinevatest enamlevinud probleemidest. Kui teil ei õnnestu probleemi alloleva teabe abil lahendada, võtke ühendust oma riigi klienditeeninduskeskusega.

Probleem	Võimalik põhjus	Lahendus
Toiduauruti ei tööta.	Auruti pistik pole seinakontakti sisestatud.	Sisestage pistik pistikupessa.
	Veepaagis ei ole vett.	Täitke veepaak.
Kogu toit pole valminud.	Te pole vajutanud käivitamis-/seiskamisnuppu.	Vajutage käivitamis-/seiskamisnuppu.
	Mõned toidutükid on aurutis teistest suuremad ja/või vajavad pikemat aurutamisaega.	Seadistage + nupu abil pikem aurutamisaeg.
		Pange suuremad toidutükid ja pikemaajalist aurutamist vajav toit väiksesse aurutusnõusse (1) ja alustage aurutamist enne ülejäänud nõude lisamist.
	Olete aurutusnõudesse liiga palju toitu pannud.	Ärge aurutusnõusid üle koormake. Lõigake toit väiksemateks tükkideks ja pange kõige väiksemad tükid ülespoole.
		Jätke toidutükkide vahele ruumi ja paigutage toit ühtlaselt nõu põhja.
Seade ei kuumuta korralikult.	Te pole seadmest korrapäraselt katlakivi eemaldanud.	Eemaldage seadmest katlakivi. Lugege ptk „Puhastamine ja hooldus”.
Aurutamise ajal pritsib veepaagist vett välja.	Te panite veepaaki liiga palju vett.	Eemaldage veepaagist üleliigne vesi. Veenduge, et paagis oleks vett ainult kuni tähiseni MAX.

Probleem	Võimalik põhjus	Lahendus
Märgutuli "Veepaak tühi" süttib, ehkki veepaagis on piisavalt vett.	Küttekehal on liiga palju katlakivi.	Puhastage veepaak katlakivist. Vt lõiku "Katlakivist puhastamine" peatükis "Puhastamine ja hooldus".
Aroomisõela mõju on väike või puudub üldse.	Te ei pannud aroomisõela piisavalt maitsetaimi.	Pange aroomisõela rohkem maitsetaimi.
	Te ei pannud aroomisõela õigeid maitsetaimi.	Pange aroomisõela tugeva aroomiga maitsetaimi. Tutvuge aurutamistabeliga peatükis "Toidutabel ja aurutamishpunäited".
	Te sõite toitu tükk aega pärast selle valmistist.	Sööge toitu kohe pärast selle valmistist.
Veepaagis või tilgakogujas oleval veel on vaht.	Vaht võib tekkida siis, kui veepaagis olevasse vette satub valke või kui veepaaki jääb puhastusvahendite jääke.	Puhastage veepaaki. Vaadake peatükki "Puhastamine ja hooldus".

### Toidutabel ja aurutamishpunäited

- Retseptide leidmiseks vaadake retseptivihikut või külastage meie veebisaiti [www.philips.com/kitchen](http://www.philips.com/kitchen).
- Tabelis toodud aurutamisaeg on ainult näitlikud. Aurutamisaeg sõltub toidutükkide suurusel, toidutükkide vahelisest ruumist aurutusnõus, toidu kogusest aurutusnõus, toidu värskusest ja te enda eelistustest.

### Toidu aurutamistabel

Aurutatav toit	Kogus	Aurutamisaeg (min)	Soovitavad maitsetaimed/ maitseained aroomisõelas kasutamiseks
Spargel	500 g	15–20	Tüümian, basiilik, sidrun
Väikesed maisitõlvikud	200 g	5-8	Murulauk, tšilli, paprika
Aedoad	500 g	15–20	Petersell, sidrun, küüslauk
Brokoli	400 g	20	Küüslauk, purustatud punane tšilli, estragon
Porgandid	500 g	20	Petersell, sinepipulber; murulauk
Lillkapsaõisikud	400 g	20	Rosmariin, basiilik, estragon
Juurseller (kuubikutena)	300 g	15–20	Köömned, valge pipar; tšilli
Kanakoib	1tk	25	Must pipar, sidrun, paprika
Maisitõlvik	500 g	30-40	Petersell, küüslauk, murulauk
Suvikõrvits (viilutatud)	500 g	10	Till, salvei, rosmariin

Aurutatav toit	Kogus	Aurutamisaeg (min)	Soovitavad maitsetaimed/ maitseained aroomisõelas kasutamiseks
Kuskuss	150 g + 250 ml vett	10-15	Köömned, koriander, nelk
Munad	6 tk	12–15	-
Puuvili	500 g / 4 tk	10-15	Kaneel, sidrun, nelk
Oad (külmutatud)	400 g	20-25	Rosmariin, köömned, petersell
Kartulid	400 g	25-30	Petersell, murulauk, küüslauk
Krevetid	200 g	5	Karripulber, safran, sidrun
Pudingid	4 kausikest	20	Kaneel, nelk, vanill
Riis	150 g + 300 ml vett	35	Kruvipuu lehed, petersell, köömned
	250 g + 500 ml vett	35	Kruvipuu lehed, petersell, köömned
Lõhe	450 g	12–15 min.	Till, petersell, basiilik
Valge kala	450 g	10-15	Sinepipulber, nelkpiipar, majoraan

### Eelseadistatud aurutusrežiimide aurutusajad (Jn 39)

#### Näpunäited toidu aurutamiseks

##### Aroomisõel

- Tüümian, koriander, basiilik, till, karri ja estragon on osa neist maitsetaimedest ja -ainetest, mida saate aroomisõela Aroma Infuser panna. Maitse võimendamiseks ilma soola lisamata saate neid kombineerida küüslaugu, köömnete või mädarõikaga. Soovitame kasutada 0,5–3 tl kuivatatud maitsetaimi või -aineid. Lisage rohkem, kui kasutate värskeid maitseaineid või -taimi.
- Aroomisõel on kõige efektiivsem siis, kui toitu küpsetatakse kõige alumises nõus, mis on asetatud otse tilgakoguja peale.
- Rohkem soovitusi maitsetaimede, -ainete ja -vedelike kasutamise kohta Aroma Infuser aroomisõelas leiate ülal olevast toiduainete aurutamise tabelist.
- Väikse koguse õli lisamine muudab aroomisõela veelgi tõhusamaks ja annab toidule täidlasema maitse.
- Parima tulemuse saamiseks hakkige maitsetaimed väikesteks tükkideks ja asetage ühtlaselt aroomisõela.
- Parima maitseelamuse saamiseks soovitage toitu süüa kohe pärast selle valmimist.
- Ärge valage aroomisõela vedelikke.

##### Köögivil ja puuviljad

- Lõigake ära lillkapsa, brokoli ja kapsa paksud juured.
- Aurutage lehtköögivilju lühima võimaliku aja jooksul, sest need kaotavad kergesti oma värvuse.
- Ärge külmutatud köögivilju enne aurutamist üles sulatage.

### **Liha, linnuliha, mereannid ja munad**

- Vähese rasvaga õrnad lihatükid on aurutamiseks kõige sobivamad.
- Peske liha korralikult ja tupsutage see kuivaks, nii et võimalikult vähe mahla tilguks välja.
- Tilkumise vältimiseks asetage liha, linnuliha, kala ja munad alati teiste toiduainete alla.
- Torgake munad enne aurutusse panemist läbi.
- Ärge kunagi aurutage külmunud liha, linnuliha või mereande. Laske külmunud lihal, linnulihal või mereandidel enne aurutusse panemist täielikult üles sulada.

### **Magustoidud**

- Magusa maitse võimendamiseks lisage magustoitudele suhkru asemel kaneeli.

### **Üldised soovitused**

- Üksnes mudeli HD9190 puhul: riisi valmistamisel peate lisama supinõusse koos riisiga vett. Koguste kohta vaadake ülal toodud toiduainete aurutamise tabelit.
- Kui olete lõpetanud riisi aurutamise riisi valmistamise eelseadistusnuppu kasutades, lülitage seade välja, segage riisi ja jätke see kaane all 5 minutiks seisma. Nii on tulemus veelgi parem.
- Üksnes mudeli HD9190 puhul: lisaks suppide valmistamisele võite supinõud kasutada ka selleks, et hautada kastmes kõögivilju, pošeerida kala, küpsetada marineeritud toite või valmistada pudingeid, suppe ja riisi.
- Jätke toidutükkide vahele natuke ruumi ja paigutage toit ühtlaselt nõu põhja.
- Kui aurutusnõu on väga täis, siis segage toitu, kui see on poolenisti valminud.
- Väikeste toidukoguste valmistamiseks on vaja suurte tükkidega võrreldes lühemaid aurutamisaegu.
- Ainult ühe aurutusnõu kasutamisel on toiduvalmistamiseks vaja lühemaid aurutamisaegu kui 2 või 3 aurutusnõu kasutamisel.
- Kui kasutate rohkem kui üht aurutusnõud, laske toidul 5–10 minutit kauem valmida.
- Toit valmib väikeses aurutusnõus (1) kiiremini kui ülemistes aurutusnõudes.
- Veenduge enne sööma hakkamist, et toit on korralikult valmis. See on eriti tähtis selliste toiduainete nagu sealiha, veisehakkliha ja kanaliha puhul.
- Aurutamistoimingu ajal saate toitu ja toiduga täidetud aurutusnõusid lisada. Kui mõni koostisaine vajab lühemat aurutamisaega, siis lisage see hiljem.
- Kui auruti lülitub soojana hoidmise režiimile, küpseb toit mõnda aega edasi. Kui toit on juba niigi küps, eemaldage see aurutist pärast aurutamise lõppu, kui auruti lülitub soojana hoidmise režiimile.
- Kui toit pole veel valminud, seadistage aurutamisaeg pikemaks. Teil tuleb ehk veepaaki vett lisada.
- Ainult mudeli HD9190 puhul: aurutit saab kasutada varem valmistatud supi ülessoojendamiseks. Pange supp selle jaoks mõeldud nõusse ja aurutage kalale mõeldud eelseadistatud aurutamistreimimis. 250 ml supi ülessoojendamiseks kulub umbes 10 minutit.

## Uvod

Čestitamo na kupnji i dobro došli u Philips! Kako biste u potpunosti iskoristili podršku koju nudi tvrtka Philips, registrirajte svoj proizvod na: [www.philips.com/welcome](http://www.philips.com/welcome).

## Opći opis (Sl. 1)

- 1 Upravljačka ploča sa zaslonom i gumbima
  - a Gumb za pokretanje/zaustavljanje i pauziranje
  - b Gumb za produživanje i skraćivanje vremena
  - c Indikator praznog spremnika za vodu
  - d Gumbi za košarice za kuhanje na pari (1, 2, 3)
  - e Gumb programa za obrok
  - f Gumb kuharskog programa
  - g Prethodno podešeni gumbi programa za kuhanje (riba, krumpir, riža, povrće)
  - h Mjerač vremena
  - i Indikator funkcije za održavanje topline
  - j Indikator Turbo
- 2 Podnožje sa spremnikom za vodu
- 3 Senzor temperature
- 4 Pladanj
- 5 Odjeljak za začine
- 6 Mala košarica za kuhanje (1)
- 7 Srednja košarica za kuhanje (2)
- 8 Velika košarica za kuhanje (3)
- 9 Posuda za juhu (samo HD9190)
- 10 Poklopac
- 11 Otvori za paru
- 12 Ručka poklopca
- 13 Odvojivo dno
- 14 Žlijeb za dopunjavanje spremnika vode
- 15 Držač za kabel

*Napomena: Košarice za kuhanje na pari imaju brojeve od 1 do 3. Brojevi košarica za kuhanje na pari nalaze se na njihovim ručkama. Bilo koju veću košaricu možete postaviti na manju košaricu, ali košarice najbolje pristaju zajedno ako ih poredate logičnim uzlaznim redoslijedom: najprije najmanja košarica (1), zatim srednja košarica (2) i na kraju najveća košarica (3).*

*Napomena za HD9190: Posudu za juhu najbolje je koristiti u kombinaciji s velikom košaricom (3).*

*Napomena: Uvijek ispod košarica za kuhanje na pari postavite pladanj i koristite samo košarice koje su napunjene hranom.*

## Važno

Prije korištenja aparata pažljivo pročitajte ovaj korisnički priručnik i spremite ga za buduće potrebe.

### Opasnost

- Nikad nemojte uranjati podnožje u vodu ili ga ispirati pod mlazom vode.



## Upozorenje

- Prije ukopčavanja aparata provjerite odgovara li mrežni napon naveden na aparatu naponu lokalne mreže.
- Aparat priključujte samo u uzemljenu zidnu utičnicu. Obavezno provjerite je li utikač ispravno umetnut u zidnu utičnicu.
- Ovaj aparat nije namijenjen korištenju u kombinaciji s vanjskim timerom ili zasebnim sustavom za daljinsko upravljanje.
- Aparat nemojte koristiti ako su utikač, kabel za napajanje ili sam aparat oštećeni.
- Ako se kabel za napajanje ošteti, mora ga zamijeniti tvrtka Philips, ovlaštenu Philips servisnu centar ili neka druga kvalificirana osoba kako bi se izbjegle potencijalno opasne situacije.
- Ovaj aparat nije namijenjen osobama (uključujući djecu) sa smanjenim fizičkim ili mentalnim sposobnostima niti osobama koje nemaju dovoljno iskustva i znanja, osim ako im je osoba odgovorna za njihovu sigurnost dala dopuštenje ili ih uputila u korištenje aparata.
- Malu djecu potrebno je nadzirati kako se ne bi igrala s aparatom.
- Kabel za napajanje držite izvan dohvata djece. Pazite da kabel za napajanje ne visi preko ruba stola ili radne površine na kojoj aparat stoji.
- Kabel za napajanje držite podalje od vrućih površina.
- Prije ukopčavanja aparata uvijek potpuno odmotajte kabel za napajanje koji se nalazi oko držača u podnožju.
- Na pari nikada ne kuhajte smrznuto meso, meso peradi ili morske plodove. Te sastojke uvijek u potpunosti odmrznite prije kuhanja na pari.
- Aparat za kuhanje na pari nikada nemojte koristiti bez pladnja jer iz aparata može prskati vruća voda.
- Košarice za kuhanje na pari i posudu za juhu (samo HD9190) koristite samo u kombinaciji s originalnim podnožjem.

## Opres

- Ovaj aparat namijenjen je isključivo uobičajenoj uporabi u kućanstvu. Nije namijenjen korištenju u okruženjima poput kuhinja za osoblje u trgovinama, uredima, na farmama ili u drugim radnim okruženjima. Nije namijenjen ni korištenju od strane gostiju u hotelima, motelima, prenoćištima ili drugim vrstama smještaja.
- Ako se aparat nepravilno koristi, ako se koristi za profesionalne ili poluprofesionalne svrhe ili ako se ne koristi u skladu s uputama u korisničkom priručniku, jamstvo prestaje vrijediti, a tvrtka Philips neće biti odgovorna za nastalu štetu.

- Nikada nemojte koristiti dodatke ili dijelove drugih proizvođača ili proizvođača koje tvrtka Philips nije izričito preporučila. Ako koristite takve dodatke ili dijelove, vaše jamstvo prestaje vrijediti.
- Podnožje aparata nemojte izlagati visokim temperaturama, vrućem plinu, pari ili vlažnoj toplini iz drugih izvora. Ne stavljajte aparat za kuhanje na paru blizu vruće peći ili štednjaka niti na njih.
- Dok radi, aparat nemojte stavljati u blizinu ili ispod predmeta koje bi para mogla oštetiti, kao što su zidovi i kuhinjski ormarići.
- Aparat nemojte koristiti u prostorima u kojima ima eksplozivnih/zapaljivih para.
- Aparat stavite na stabilnu, ravnu vodoravnu površinu i pazite da oko njega bude najmanje 10 cm praznog prostora jer ćete na taj način spriječiti pregrijavanje.
- Odvojiva dna uvijek stavljajte u košarice za kuhanje na pari odozgo. Kako bi dna ispravno sjela, najprije u košaricu spustite jednu stranu, a zatim drugu dok ne sjedne na mjesto ("klik"). Izbočina na dnu mora gledati prema gore. (Sl. 2)
- Pazite na vruću paru koja izlazi iz aparata za kuhanje na pari tijekom korištenja, u načinu rada za održavanje topline ili kada skinete poklopac. Pri provjeri hrane uvijek koristite kuhinjski pribor s dugačkim drškama.
- Dok se aparat za kuhanje na pari koristi, nemojte posezati ni za čim iznad njega.
- Ne dodirujte zagrijane površine aparata. Pri dodirivanju zagrijanih površina aparata uvijek koristite kuhinjske rukavice.
- Aparat za kuhanje na pari nemojte pomicati dok se koristi.
- Uvijek pažljivo skidajte poklopac i to u smjeru od sebe. Pustite da se kondenzirane kapi ocijede s poklopca u aparat za kuhanje na pari kako se ne biste opekli.
- Kad je hrana vruća, košaricu za kuhanje na pari obavezno držite za ručke.
- Spremnik za vodu nemojte prazniti kroz žlijeb za dopunjavanje vode. Ispraznite ga tako što ćete nagnuti podnožje unatrag i izliti vodu iz pozadine podnožja (Sl. 3).
- Prije čišćenja uvijek isključite aparat iz napajanja i ostavite ga da se ohladi.

### **Automatsko isključivanje**

Aparat ima funkciju automatskog isključivanja. Aparat će se automatski isključiti ako ne pritisnete gumb unutar 2 minute nakon ukopčavanja aparata. Aparat se automatski isključuje i nakon što istekne postavljeno vrijeme kuhanja na pari (uključujući vrijeme održavanja topline).

### **Zaštita od prokuhavanja na suho**

Ovaj aparat za kuhanje na pari ima funkciju koja mu ne dopušta da prokuhava na suho. Zaštita od prokuhavanja na suho automatski isključuje grijaći element ako u spremniku za vodu nema vode ili ako tijekom korištenja ponestane vode. Kako biste ponovo koristili aparat, napunite spremnik za vodu hladnom vodom do oznake MAX.

## Elektromagnetska polja (EMF)

Ovaj proizvod tvrtke Philips sukladan je svim standardima koji se tiču elektromagnetskih polja (EMF). Ako aparatom rukujete pravilno i u skladu s ovim uputama, prema dostupnim znanstvenim dokazima on će biti siguran za korištenje.

### Prije prvog korištenja

- 1** Prije prvog korištenja aparata temeljito očistite dijelove koji dolaze u kontakt s hranom (pogledajte poglavlje "Čišćenje i održavanje").
- 2** Unutarnje dijelove spremnika za vodu obrišite vlažnom krpom.

### Priprema za korištenje

- 1** Aparat stavite na stabilnu, ravnu vodoravnu površinu.
- 2** Prije ukopčavanja aparata potpuno odmotajte kabel za napajanje koji se nalazi oko držača u podnožju.
- 3** Napunite spremnik za vodu do oznake MAX (Sl. 4).
  - ▶ Kada se spremnik za vodu napuni do oznake MAX, aparat za kuhanje na pari može raditi pribl. 60 minuta.

Nemojte puniti spremnik za vodu iznad oznake MAX.

U spremnik za vodu stavljajte samo vodu. Nikada u njega ne stavljajte začine, ulje i sl.

- 4** Pladanj stavite u podnožje spremnika za vodu (Sl. 5).

*Napomena: Aparat nikad ne koristite bez pladnja; u pladanj nikada ne stavljajte začine, ulje i sl.*

- 5** Odjeljak za začine stavite na pladanj ako želite dodati više okusa hrani koju ćete kuhati na pari. (Sl. 6)

- Odjeljak za začine napunite svježim ili suhim začинима.
- Preporuke za korištenje bilja i začina pri kuhanju određenih vrsta jela potražite u tablici za kuhanje hrane na pari u poglavlju "Tablica hrane i savjeti za kuhanje na pari".

- 6** Hranu koju želite kuhati na pari stavite u jednu ili više košarica za kuhanje na pari i/ili u posudu za juhu (samo HD9190). (Sl. 7)

- Odvojiva dna uvijek stavljajte u košarice za kuhanje na pari odozgo. Kako bi dna ispravno sjela, prvo u košaricu spustite jednu stranu, a zatim drugu tako da čujete škljocaj. Izbočina na dnu mora gledati prema gore (Sl. 2).
- Košarice za kuhanje na pari nemojte pretrpati hranom. Između komada hrane ostavite prostora i ravnomjerno raspodijelite hranu po dnu košarice.
- Samo HD9189: Za kuhanje niže možete koristiti laganu posudu koja pristaje unutar košarica za kuhanje na pari. Oko posude mora ostati slobodnog prostora kako bi para mogla ispravno cirkulirati unutar aparata za kuhanje na pari.
- U najdonju košaricu za kuhanje na pari stavljajte veće komade hrane i hranu koju je potrebno duže vremena kuhati na pari (1).
- Jaja stavljajte u praktične držače za kuhanje jaja na pari (Sl. 8).
- Ako želite na pari kuhati velike komade hrane (npr: cijelo pile, klipove kukuruza), možete izvaditi odvojiva dna iz srednje (2) i velike košarice za kuhanje na pari (3) kako biste dobili jednu veliku košaricu.

*Napomena: Maksimalni kapacitet košarica za kuhanje na pari je 1 kg.*

- 7** Jednu ili više košarica za kuhanje na pari stavite na pladanj. Košarice pravilno postavite i provjerite da se ne miču (Sl. 9).

- Ne morate koristiti sve 3 košarice za kuhanje na pari.

- Košarice za kuhanje na pari imaju brojeve od 1 do 3. Brojevi košarica za kuhanje na pari nalaze se na njihovim ručkama. Bilo koju veću košaricu možete postaviti na manju košaricu, ali košarice najbolje pristaju zajedno ako ih poredate logičnim uzlaznim redoslijedom: prvo najmanja košarica (1), zatim srednja košarica (2) i na kraju najveća košarica (3). Ispod košarica za kuhanje na pari uvijek postavite pladanj i koristite samo košarice koje su ispunjene hranom (Sl. 10).
- Samo HD9190: Posuda za juhu namijenjena je pripremi juha, druge tekuće hrane i ribe. Kad želite koristiti posudu za juhu, postavite ju u veliku košaricu za kuhanje na pari (3) (Sl. 11).
- Samo HD9190: Kad iz velike košarice za kuhanje na pari (3) izvadite dno kako biste zajedno sa srednjom košaricom (2) dobili veći prostor, još uvijek možete na vrh postaviti posudu za juhu kako biste pripremili ribu, rižu ili juhu (Sl. 12).
- Kad iz srednje košarice za kuhanje na pari (2) izvadite dno kako biste zajedno s malom košaricom (1) dobili veći prostor, još uvijek možete na vrh postaviti veliku košaricu za kuhanje na pari (3).

### **8** Stavite poklopac na gornju košaricu za kuhanje na paru (Sl. 13).

*Napomena: Ako poklopac nije pravilno postavljen na košaricu za kuhanje na pari, hrana se neće dobro skuhati.*

## **Korištenje aparata**

Aparat za kuhanje na pari ima dva načina kuhanja:

- 1 Ručno kuhanje za brzo aktiviranje aparata za kuhanje na pari.
- 2 Programirano kuhanje:
  - Program za obrok: Za pripremu kompletnog obroka s različitim vremenima pripreme za svaku košaricu.
  - Kuharski program s definiranim gumbima: Za pripremu hrane s već definiranim temperaturama i vremenima pripreme.

Dodatne informacije o upotrebi ovih načina kuhanja potražite u daljnjem tekstu.

### **Standardni postupak**

Sljedeći koraci su standardni koraci koji vrijede za sva tri načina kuhanja.

- 1** Utikač ukopčajte u zidnu utičnicu.
  - ▶ Indikator na gumbu za uključivanje/isključivanje se uključuje, a na zaslonu se prikazuje zadano vrijeme kuhanja (20 minuta) (Sl. 14).
- 2** Odaberite neki od dva načina kuhanja i pratite odgovarajuće korake (u nastavku pogledajte odjeljke za načine kuhanja).

*Napomena: Istovremeno ne možete koristiti oba načina kuhanja. Isto tako, ne možete istovremeno koristiti program za obrok i kuharski program.*

*Napomena: Ako kuhate velike količine hrane, promiješajte hranu kada istekne pola vremena kuhanja koristeći kuhinjski pribor s dugačkom drškom. Svakako stavite kuhinjske rukavice.*

*Napomena: Tijekom prvih 5 minuta kuhanja upaljen je indikator Turbo. To znači da aparat za kuhanje na pari koristi dodatnu energiju kako bi se brzo zagrijao.*

- 3** Kad se kuhanje dovrši, aparat 5 puta emitira zvučni signal, a zatim se automatski prebacuje na način rada za održavanje topline (pogledajte odjeljak 'Način rada za održavanje topline').
- 4** Nakon upotrebe oprezno skinite poklopac.

Pazite na vruću paru koja izlazi iz aparata pri skidanju poklopca.

*Napomena: Kako se ne biste opekli, prilikom skidanja poklopca nosite kuhinjske rukavice. Poklopac skidajte polagano i u smjeru od sebe. Neka kondenzacija s poklopca kapa u košaricu za kuhanje na pari.*

*Napomena: Izvadite hranu iz košarica za kuhanje na pari koristeći kuhinjski pribor s dugačkim drškama.*

- 5 Prilikom vađenja košarice za kuhanje na pari pustite kondenzirane kapi da se iscijede na donju košaricu ili na pladanj.
- 6 Izvucite utikač iz zidne utičnice i ostavite aparat za kuhanje na pari da se potpuno ohladi prije no što uklonite pladanj.
- 7 Nakon svaku upotrebe ispraznite spremnik za vodu tako što ćete podnožje nagnuti prema natrag i izliti vodu iz pozadine podnožja (Sl. 3).

Budite oprezni prilikom uklanjanja pladnja i pražnjenja spremnika za vodu zato što voda u njima još može biti vruća, iako su se ostali dijelovi aparata ohladili.

*Napomena: Ako tijekom kuhanja ponestane vode, upalit će se indikator 'spremnik za vodu je prazan' koji vaš obavještava da morate dopuniti spremnik za vodu (Sl. 15).*

*Napomena: Ako želite skuhati još hrane i potrebno vam je više vode, možete kroz žlijeb za dopunjavanje spremnika lijevati male količine vode kako biste dopunili spremnik.*

*Napomena: Ako 2 minute nema aktivnosti, aparat automatski ulazi u stanje mirovanja. Za ponovno aktiviranje upravljačke ploče pritisnite gumb za pokretanje/zaustavljanje.*

### **Ručno kuhanje**

Ovaj način rada koristite za brzo aktiviranje aparata za kuhanje na pari.

- 1 Pritisnite gumb za produživanje i skraćivanje vremena kako biste odabrali potrebno vrijeme kuhanja (Sl. 16).
- 2 Pritisnite gumb za pokretanje/zaustavljanje kako biste započeli kuhanje (Sl. 17).
  - ▶ Pokreće se postupak kuhanja. Indikator pokretanja/zaustavljanja polagano treperi, a mjerač vremena odbrojava postavljeno vrijeme kuhanja (Sl. 18).
  - ▶ Kad postavljeno vrijeme kuhanja istekne, aparat emitira zvučni signal i prebacuje se u način rada za održavanje topline. Uključuje se indikator održavanja topline (Sl. 19).

### **Programirano kuhanje: program za obrok**

Ovaj program koristite kako biste pripremili kompletni obrok za različitim vremenima pripreme za svaku košaricu za kuhanje na pari. Aparat automatski počine kuhati hranu u košarici za kuhanje na pari s najdužim vremenom pripreme i emitira zvučni signal kako bi vas obavijestio kad trebate postaviti košaricu ili košarice za kuhanje na pari s kraćim vremenom pripreme. Zadnja je košarica za kuhanje na pari s najkraćim vremenom pripreme.

*Napomena: Ako za pripremu obroka ne želite koristiti sve tri košarice za kuhanje na pari, postavite mjerač vremena samo za košarice koje koristite.*

- 1 Pritisnite gumb programa za obrok. (Sl. 20)
  - ▶ Pale se indikatori na gumbu programa za obrok i na tri gumba košarica za kuhanje na pari (Sl. 21).
- 2 Pritisnite gumb za košaricu za kuhanje na pari 1, 2 ili 3 kako biste odbrali košarice za kuhanje na pari. (Sl. 22)
  - ▶ Odgovarajući indikator počinje bljeskati.
- 3 Pritisnite gumb za produživanje ili skraćivanje vremena kako biste postavili potrebno vrijeme pripreme za odabranu košaricu. (Sl. 23)
- 4 Ponovo pritisnite gumb košarice za kuhanje na pari za koju postavljate vrijeme kako biste potvrdili postavku. (Sl. 24)
  - ▶ Točkica ispod gumba za košaricu za kuhanje na pari pokazuje da je vrijeme postavljeno.
- 5 Ponavljajte korake 2 do 4 dok ne postavite vrijeme za sve košarice koje želite koristiti.

- 6** Stavite sastojke u košarice za kuhanje na pari. Kad koristite sve tri košarice za kuhanje na pari, postavite hranu s najdužim vremenom pripreme u najmanju košaricu za kuhanje na pari (1), hranu sa srednjim vremenom pripreme u srednju košaricu (2), a hranu s najkraćim vremenom pripreme u najveću košaricu za kuhanje na pari (3).
- 7** Postavite košaricu za kuhanje s najdužim vremenom pripreme a podnožje aparata za kuhanje na pari.
- 8** Pritisnite gumb za pokretanje/zaustavljanje (Sl. 17).
- Pokreće se kuhanje za košaricu s najdužim vremenom pripreme. Indikator pokretanja/zaustavljanja sporo bljeska, a mjerač vremena odbrojava vrijeme kuhanja.
  - Nakon nekog vremena aparat emitira zvučni signal, a indikator košarice sa srednjim vremenom pripreme brzo bljeska kako bi vas upozorio da morate postaviti sljedeću košaricu za kuhanje na pari (Sl. 25).
- 9** Postavite košaricu sa srednjim vremenom pripreme na košaricu koja se već nalazi na aparatu za kuhanje na pari i pritisnite gumb košarice za kuhanje na pari koji bljeska ili gumb za pokretanje/zaustavljanje.
- 10** Aparat za kuhanje na pari nastavlja s kuhanjem.
- Indikator pokretanja/zaustavljanja sporo bljeska, a mjerač vremena odbrojava vrijeme kuhanja.
  - Nakon nekog vremena aparat emitira zvučni signal, a indikator košarice s najkraćim vremenom pripreme bljeska kako bi vas upozorio da morate postaviti ovu košaricu za kuhanje na pari.
- 11** Postavite košaricu s najkraćim vremenom pripreme na košaricu koja se već nalazi na aparatu i pritisnite gumb košarice za kuhanje na pari koji bljeska ili gumb za pokretanje/zaustavljanje.
- 12** Aparat za kuhanje na pari nastavlja s kuhanjem.
- Indikator pokretanja/zaustavljanja sporo bljeska, a mjerač vremena odbrojava vrijeme kuhanja.
  - Kad vrijeme kuhanja istekne, aparat emitira zvučni signal i prebacuje se u način rada za održavanje topline. Indikator održavanja topline i indikator pokretanja/zaustavljanja sporo bljeskaju.

### **Programirano kuhanje: Kuharski program**

---

Ovaj način rada koristite za optimalnu pripremu određenih sastojaka uz unaprijed definirane temperature i vrijeme.

*Napomena: Kuharski program možete koristiti samo s najdonjom košaricom za kuhanje na pari koja se postavlja izravno na pladanj.*

*Napomena: Definirani gumbi kuharskog programa imaju duža vremena pripreme od ručnog kuhanja. To je zato što je njihova temperatura kuhanja djelomično ispod 100°C kako bi se dobio najbolji rezultat kuhanja.*

- 1** Pritisnite gumb kuharskog programa (Sl. 26).
- Uključuje se indikator gumba za kuharski program, ako i indikator četiri definirana gumba (Sl. 27).
- 2** Pritisnite neki od četiri definirana gumba.
- Za pripremu ribe pritisnite gumba za ribu (Sl. 28).
  - Za pripremu krumpira pritisnite gumb za krumpir (Sl. 29).
  - Za pripremu riže pritisnite gumb za rižu (Sl. 30).
  - Za pripremu zelenog povrća pritisnite gumb za povrće (Sl. 31).
- 3** Ako bude potrebno, možete putem guma za produžavanje ili skraćivanje vremena podesiti vrijeme pripreme, ovisno o količini i veličini sastojaka u košarici za kuhanje na pari.

- 4 Pritisnite gumb za pokretanje/zaustavljanje.
- ▶ Pokreće se kuhanje, a indikator pokretanja/zaustavljanja sporo bljeska. Na zaslonu se naizmjenično prikazuje odbrojavanje mjerača vremena i trenutna temperatura kuhanja za odabrani definirani gumb.
- ▶ Kad vrijeme kuhanja istekne, aparat emitira zvučni signal i prebacuje se u način rada za održavanje topline. Uključuje se indikator održavanja topline.

### **Način rada za održavanje topline**

---

Nakon kuhanja aparat za kuhanje na pari automatski se prebacuje u način rada za održavanje topline i uključuje se indikator održavanja topline.

Način rada za održavanje topline održava hranu toplom 20 minuta.

- Ako želite da hrana bude toplija duže od 20 minuta, pritisnite gumb za produžavanje i skraćivanje vremena kako biste postavili vrijeme.
- Ako želite isključiti način rada za održavanje topline dok je aktivan, pritisnite gumb za pokretanje/zaustavljanje.

### **Čišćenje i održavanje**

Za čišćenje aparata nikada nemojte koristiti spužvice za ribanje, abrazivna sredstva za čišćenje ili agresivne tekućine poput benzina ili acetona.

**1** Iskopčajte utikač iz zidne utičnice i ostavite aparat da se ohladi.

**2** Vanjske dijelove podnožja obrišite vlažnom krpom.

Nikad nemojte uranjati podnožje u vodu niti ga ispirati pod mlazom vode.

**3** Spremnik za vodu očistite krpom koju ste namočili u toploj vodi s malo sredstva za pranje posuđa. Zatim spremnik za vodu obrišite čistom vlažnom krpom.

**4** Poklopac perite ručno sredstvom za pranje posuđa u toploj vodi.

Poklopac nemojte prati u stroju za pranje posuđa.

**5** Izvadite odvojiva dna i košarica za kuhanje na pari. Košarice za kuhanje na pari, odvojiva dna, odjeljak za začine, pladanj i posudu za juhu (samo HD9190) operite ručno sredstvom za pranje posuđa u toploj vodi. Te dijelove možete prati i u perilici posuđa na kratkom ciklusu i na niskoj temperaturi.

Čestim pranjem košarica za kuhanje na pari u stroju za pranje posuđa može doći do neznatnog gubitka sjaja na tim dijelovima.

### **Uklanjanje kamenca**

---

Kada se u spremniku za vodu pojavi kamenac, trebate ga ukloniti. Važno je redovito uklanjati kamenac iz aparata za kuhanje na pari kako bi optimalno radio.

**1** U spremnik za vodu ulijte bijeli ocat (8% octene kiseline) do oznake MAX.

Nemojte koristiti druga sredstva za uklanjanje kamenca.

**2** Pladanj i malu košaricu za kuhanje na pari (1) pravilno stavite na podnožje (Sl. 32).

**3** Poklopite malu košaricu za kuhanje na pari (Sl. 33).

**4** Utikač ukopčajte u zidnu utičnicu.

**5** Pritisnite gumb za pokretanje/zaustavljanje kako biste aktivirali upravljačku ploču.

**6** Pritisnite gumb za pokretanje/zaustavljanje kako biste aktivirali aparat na 20 minuta (Sl. 17).

Ako ocat počne kipjeti preko rubova podnožja, iskopčajte aparat iz struje i izlijte nešto octa.

- 7** Kad aparat emitira zvučni signal, iskopčajte ga iz struje i pustite da se ocat u potpunosti ohladi. Zatim ispraznite spremnik za vodu.
- 8** Nekoliko puta isperite spremnik za vodu hladnom vodom.

*Napomena: Postupak ponovite ako u spremniku za vodu ostane kamenca.*

### Spremanje

- 1** Provjerite jesu li svi dijelovi čisti i suhi prije spremanja aparata (pogledajte poglavlje 'Čišćenje i održavanje').
- 2** Za spremanje kabela za napajanje omotajte ga oko držača u podnožju (Sl. 34).
- 3** Stavite pladanj na podnožje (Sl. 35).
- 4** Provjerite jesu li odvojiva dna postavljena na košarice za kuhanje.
- 5** Postavite veliku košaricu (3) na pladanj. Postavite srednju košaricu (2) u veliku košaricu (3). Postavite malu košaricu (1) u srednju košaricu (2) (Sl. 36).
- 6** Samo HD9190: Postavite posudu za juhu u malu košaricu za kuhanje na pari (1).
- 7** Postavite poklopac na posudu za juhu (samo HD9190) ili na malu košaricu za kuhanje na pari (Sl. 37).

### Jamstvo i servis

Ako vam je potreban servis ili informacija, odnosno ako imate neki problem, posjetite web-stranicu tvrtke Philips, **[www.philips.com/support](http://www.philips.com/support)**, ili se obratite centru za potrošače tvrtke Philips u svojoj državi. Broj telefona nalazi se u priloženom međunarodnom jamstvu. Ako u vašoj državi ne postoji centar za potrošače, obratite se lokalnom prodavaču proizvoda tvrtke Philips.

### Zaštita okoliša

- Aparat koji se više ne može koristiti nemojte odlagati s uobičajenim otpadom iz kućanstva, nego ga odnesite u predviđeno odlagalište na recikliranje. Time ćete pridonijeti očuvanju okoliša (Sl. 38).

### Rješavanje problema

U ovom poglavlju opisani su najčešći problemi s kojima biste se mogli susresti prilikom korištenja aparata. Ako ne možete riješiti problem uz informacije u nastavku, obratite se centru za korisničku podršku u svojoj državi.

Problem	Mogući uzrok	Rješenje
Aparat za kuhanje na pari ne radi.	Aparat za kuhanje na pari nije priključen na napajanje.	Utikač ukopčajte u zidnu utičnicu.
	U spremniku za vodu nema dovoljno vode.	Napunite spremnik za vodu.
	Niste pritisnuli gumb za pokretanje/zaustavljanje.	Pritisnite gumb za pokretanje/zaustavljanje.
Nije skuhana sva hrana.	Neki komadi hrane u aparatu za kuhanje na pari krupniji su i/ili ih je potrebno duže kuhati od ostale hrane.	Pomoću gumba + postavite duže vrijeme kuhanja.



Problem	Mogući uzrok	Rješenje
		Veće komade hrane i hranu koju treba duže kuhati stavite u malu košaricu za kuhanje na pari (1) i započnite kuhanje na pari neko vrijeme prije dodavanja drugih košarica.
	Stavili ste previše hrane u košarice za kuhanje na pari.	Nemojte previše puniti košarice za kuhanje na pari. Hranu izrežite na manje komade i najmanje komade stavite na vrh.
		Ostavite prostora između komada hrane i ravnomjerno raspodijelite hranu na dno košarice.
Aparat se ne zagrijava ispravno.	Niste dobro očistili aparat od kamenca.	Očistite aparat od kamenca. Pogledajte poglavlje "Čišćenje i održavanje".
Tijekom kuhanja iz spremnika za vodu prska voda.	Nalili ste previše vode u spremnik za vodu.	Izlijte višak vode iz spremnika za vodu. Voda ne smije biti iznad oznake MAX.
Uključuj se indikator 'praznog spremnika za vodu' iako u spremniku ima dovoljno vode.	Na grijačem elementu nakupilo se previše kamenca.	Uklonite kamenac iz spremnika za vodu. Pogledajte odjeljak "Uklanjanje kamenca" u poglavlju "Čišćenje i održavanje".
Odjeljak za začine nema efekta ili je efekt ograničen.	Niste stavili dovoljno začina u odjeljak za začine.	Stavite više začina u odjeljak za začine.
	Niste stavili odgovarajuće začine u odjeljak za začine.	Stavite začine s jakom aromom u odjeljak za začine, pogledajte tablicu za kuhanje hrane u poglavlju "Tablica hrane i savjeti za kuhanje na pari".
	Hrana je dugo stajala nakon pripreme.	Hranu pojedite neposredno nakon pripreme.
Voda u spremniku za vodu ili na pladnju se pjeni.	Pjena se može pojaviti kad u vodu u spremniku za vodu dospiju bjelančevine ili kad u spremniku ostanu tragovi sredstava za čišćenje.	Očistite spremnik za vodu. Pogledajte poglavlje "Čišćenje i održavanje".

### Tablica hrane i savjeti za kuhanje na pari

- Recepte za kuhanje potražite u knjižici s receptima ili posjetite web-stranicu [www.philips.com/kitchen](http://www.philips.com/kitchen).
- Vrijeme kuhanja na pari navedeno u tablici u nastavku služi samo kao preporuka. Ono se može razlikovati ovisno o veličini komada hrane, prostoru između komada hrane u košarici za kuhanje na pari, količini hrane u košarici, svježini hrane te vašem osobnom ukusu.

### Tablica za kuhanje hrane na pari

Hrana za kuhanje na pari	Količina	Vrijeme kuhanja na pari (min)	Preporučeni začini za odjeljak za začine
Šparoge	500 g	15-20	Timijan, bosiljak, limun
Mladi kukuruz	200 g	5-8	Vlasac, čili, paprika
Zelene mahune	500 g	15-20	Peršin, limun, češnjak
Brokula	400 g	20	Češnjak, zdrobljena crvena papričica, estragon
Mrkve	500 g	20	Peršin, suha gorušica, vlasac
Cvjetovi cvjetače	400 g	20	Ružmarin, bosiljak, estragon
Korijen celera (u kockicama)	300 g	15-20	Kim, bijeli papar, čili
Pileći batak	1 komad	25	Crni papar, limun, paprika
Klip kukuruza	500 g	30-40	Peršin, češnjak, vlasac
Tikvica (narezana)	500 g	10	Kopar, kadulja, ružmarin
Kus-kus	150 g + 250 ml vode	10-15	Kim, korijander, klinčići
Jaja	6 komada	12-15	-
Voće	500 g / 4 komada	10-15	Cimet, limun, klinčići
Grašak (zamrznuti)	400 g	20-25	Ružmarin, kim, peršin
Krumpiri	400 g	25-30	Peršin, vlasac, češnjak
Kozice	200 g	5	Curry u prahu, šafran, limun
Pudinzi	4 zdjele	20	Cimet, klinčići, vanilija
Riža	150 g + 300 ml vode	35	Pandan riža, peršin, kim
	250 g + 500 ml vode	35	Pandan riža, peršin, kim
Losos	450 g	12 - 15 min.	Kopar, peršin, bosiljak
Bijela riba	450 g	10-15	Suha gorušica, piment, mažuran

### Vrijeme kuhanja kod prethodno postavljenih načina kuhanja (SI. 39)

#### Savjeti za kuhanje hrane na pari

##### Odjeljak za začine

- Neka začinska bilja i začini koje možete staviti u odjeljak za začine su ružmarin, timijan, korijander, bosiljak, kopar, curry i estragon. Za obogaćivanje okusa možete ih koristiti u kombinaciji s češnjakom, kimom ili hrenom bez dodavanja soli. Savjetujemo da dodate od 1/2 do 3 žličice suhog bilja ili začina. Ako koristite svježe bilje ili začine, dodajte veće količine.

- Odjeljak za začine najviše utječe na hranu koja se kuha u najdonjoj košarici koja se postavlja izravno na pladanj.
- Za dodatne savjete o začinskom bilju, začинима i tekućinama koji se koriste za odjeljak za začine, pogledajte tablicu za kuhanje hrane iznad.
- Ako hranu polijete s malo ulja, poboljšava se efekt odjeljka za začine, a hrana ima puniji okus.
- Za najbolje rezultate narežite začinsko bilje u male komadiće i ravnomjerno napunite odjeljak za začine.
- Hrana će imati najbolji okus ako je pojedete neposredno nakon pripreme.
- U odjeljak za začine nemojte sipati tekućine.

### **Povrće i voće**

- Odrežite tvrde dijelove cvjetače, brokule i kupusa.
- Zeleno lisnato povrće vrlo kratko kuhajte na pari jer brzo gubi boju.
- Nemojte odmrzavati smrznuto povrće prije kuhanja na pari.

### **Meso, perad, morski plodovi i jaja**

- Mekši dijelovi mesa s malo masnoće idealni su za kuhanje na pari.
- Dobro operite meso i posušite laganim tapkanjem kako bi što manje soka iscurilo.
- Meso, perad, ribu ili jaja obavezno stavljajte ispod druge hrane kako bi se spriječilo kapanje sokova.
- Jaja probušite prije no što ih stavite u aparat za kuhanje na pari.
- Nikada nemojte na pari kuhati smrznuto meso, meso peradi ili morske plodove. Prije no što te namirnice stavite u aparat za kuhanje na pari uvijek ih prvo pustite da se potpuno otope.

### **Deserti**

- Umjesto šećera dodajte malo cimeta u desert kako biste ga zasladili.

### **Opći savjeti**

- Samo HD9190: Za pripremu riže u posudu za juhu dodajte vodu s rižom. Potrebne količine potražite iznad, u tablici za kuhanje hrane na pari.
- Kad dovršite kuhanje riže putem definiranog gumba za rižu, isključite aparat, promiješajte rižu i ostavite ju u poklopljenoj posudi sljedećih 5 minuta. Tako dobivate još bolje rezultate.
- Samo HD9190: Posudu za juhu možete osim za juhu koristiti i za pripremu povrća u umaku, poširanje ribe, pripremu marinirane hrane ili za pripremu pudinga, juhe i riže.
- Ostavite prostora između komada hrane i ravnomjerno raspodijelite hranu na dno košarice.
- Ako je košarica za kuhanje na pari puna, na pola procesa kuhanja promiješajte hranu.
- Male količine hrane potrebno je kraće kuhati od velikih količina hrane.
- Ako koristite samo jednu košaricu za kuhanje na pari, hranu je potrebno kraće kuhati nego kada koristite 2 ili 3 košarice.
- Ako koristite više košarica za kuhanje na pari, hranu kuhajte 5 - 10 minuta duže.
- Hrana u maloj košarici za kuhanje (1) bit će gotova prije hrane u gornjim košaricama.
- Prije jela provjerite je li hrana pripremljena kako treba. To je pogotovo važno kod mesa poput svinjetine, mljevene govedine i piletine.
- Tijekom kuhanja na pari možete dodavati novu hranu ili košarice za kuhanje na pari. Ako je određeni sastojak potrebno kraće kuhati na pari, dodajte ga kasnije.
- Nakon što se uređaj prebaci u način rada za održavanje topline, hrana se još neko vrijeme kuha na pari. Ako je hrana već potpuno skuhan, izvadite je iz aparata nakon što istekne vrijeme kuhanja, a aparat prijeđe u način rada za održavanje topline.
- Ako hrana nije kuhana, postavite duže vrijeme kuhanja na pari. Možda će biti potrebno uliti još vode u spremnik za vodu.
- Samo HD9190: Aparat za kuhanje na pari može se koristiti za podgrijavanje gotove juhe. Stavite juhu u posudu za juhu i kuhajte je u prethodno postavljenom načinu kuhanja ribe. Za zagrijavanje 250 ml juhe treba oko 10 minuta.

**Bevezetés**

Köszönjük, hogy Philips terméket vásárolt! A Philips által biztosított teljes körű támogatáshoz regisztrálja termékét a [www.philips.com/welcome](http://www.philips.com/welcome) oldalon.

**Általános leírás (ábra 1)**

- 1 Kezelőpanel, kijelző és gombok
  - a Start/stop és szünet gomb
  - b Időzítő fel/le gomb
  - c Üres víztartályt jelző fény
  - d Gőzölőkosár gombjai (1, 2, 3)
  - e Étkezés program gomb
  - f Konyhafőnök program gomb
  - g Konyhafőnök program preset gombjai (hal, burgonya, rizs, zöldségek)
  - h Időzítő kijelzője
  - i Melegen tartást jelző fény
  - j Turbo jelzőfény
- 2 Talp víztartállyal
- 3 Hőmérséklet-érzékelő
- 4 Cseppfelfogó tálca
- 5 Aromatartó edény
- 6 Kis gőzölőkosár (1)
- 7 Közepes gőzölőkosár (2)
- 8 Nagy gőzölőkosár (3)
- 9 Levesestál (csak HD9190 esetén)
- 10 Fedél
- 11 Gőznyílások
- 12 Fedél fogantyúja
- 13 Eltávolítható alsó rész
- 14 Vízbetöltő nyílás
- 15 Hálózati kábel tárolója

**Megjegyzés:** A gőzölőkosarak 1-től 3-ig meg vannak számozva. A számozást a gőzölőkosarak fogantyúján találja. Egy nagyobb kosarat rátehet egy kisebb kosárra, de akkor illeszkednek a legjobban, ha növekvő sorrendben helyezi egymásra a kosarakat: a legkisebbet (1) legfelülre, alá a közepeset (2) és legalulra a legnagyobbat (3).

**Megjegyzés a HD9190 típusozhoz:** A levesestál legjobban a nagy kosárral (3) együtt használható.

**Megjegyzés:** Mindig helyezze a cseppfelfogó tálcát a gőzölőkosarak alá, és csak akkor használja a gőzölőkosarakat, ha van bennük étel.

**Fontos!**

A készülék első használata előtt figyelmesen olvassa el a használati útmutatót, és őrizze meg későbbi használatra.

**Vigyázat!**

- Ne merítse a talpat vízbe, és ne öblítse le csapvíz alatt

**Figyelmeztetés**

- A készülék csatlakoztatása előtt ellenőrizze, hogy a rajta feltüntetett feszültség egyezik-e a helyi hálózatéval.

- Kizárólag földelt fali aljzathoz csatlakoztassa a készüléket. Ellenőrizze, hogy biztosan csatlakoztatta-e a hálózati kábelt az aljzatba.
- A készüléket ne használja külső időzítővel illetve külön távvezérlőrendszerrel.
- Ne használja a készüléket, ha a hálózati csatlakozódugó, a kábel vagy a készülék sérült.
- Ha a hálózati kábel meghibásodik, a kockázatok elkerülése érdekében Philips szakszervizben vagy hivatalos szakszervizben ki kell cserélni.
- A készülék használatát nem javasoljuk csökkent fizikai, érzékelési, szellemi képességekkel rendelkező, tapasztalatlan vagy kellő ismerettel nem rendelkező személyeknek (beleértve a gyermekeket is), csak a biztonságukért felelős személy felvilágosítása után, felügyelet mellett.
- Vigyázzon, hogy gyermekek ne játsszanak a készülékkel.
- A vezetéket tartsa gyermekektől távol. Ne hagyja a hálózati csatlakozókábelt lelógni az asztalról vagy a munkafelületről.
- Tartsa a hálózati kábelt távol a forró felületektől.
- A készülék csatlakoztatása előtt mindig teljesen tekerje le a hálózati kábelt a készülék alján lévő tartóról.
- Ne pároljon fagyott húst, szárnyasokat vagy tengeri termékeket! Párolás előtt várja meg, míg a hozzávalók teljesen felolvadnak.
- Ne használja az ételpárolót cseppfelfogó tálca nélkül, mert ellenkező esetben a forró víz kifröccsenhet a készülékből.
- A gőzölőkosarakat és a levesestálat (csak HD9190 esetén) csak az eredeti talppal használja.

### **Figyelmeztetés!**

- A készülék általános otthoni használatra készült. Nem ajánlott üzletek, irodák, gazdaságok és egyéb munkahelyek személyzeti konyhájába, valamint hotelekben, motelekben, panziókban és egyéb vendéglátó-ipari környezetekben való használatra sem.
- A készülék nem rendeltetés- vagy szakszerű használata, illetve nem a használati utasításnak megfelelő használata esetén a garancia érvényét veszti, és a Philips nem vállal felelősséget a keletkezett kárért.
- Ne használjon más gyártótól származó tartozékot / alkatrészt, vagy olyat, melyet a Philips nem javasolt, mert a garancia érvényét veszti.
- Ne tegye ki a készülék alját magas hőmérsékletnek, illetve másik készüléktől származó forró gáznak, gőznek vagy párának. Ne helyezze az ételpárolót működő, illetve még forró tűzhely vagy főzőlap közelébe.
- Ne helyezze a működő készüléket olyan tárgyak – például falak vagy szekrények – közelébe vagy alá, amelyekben kárt tehet a gőz.

- Ne üzemeltesse a készüléket robbanékony és/vagy gyúlékony gőzök jelenlétében.
- Helyezze az ételpárolót stabil, vízszintes és sima felületre, és a túlmelegedés megelőzése érdekében legalább 10 cm-es sugarú körben hagyja szabadon a berendezést.
- Mindig felülről helyezze az eltávolítható alsó részeket a gőzölőkosarakba. Az alsó részek megfelelő behelyezéséhez előbb az egyik, majd a másik felét engedje bele a kosárba, míg az egység a helyére nem kerül („kattan”). Ellenőrizze, hogy az egység kiálló része felfelé néz-e. (ábra 2)
- Melegen tartó üzemmódban vagy a készülék fedél nélküli használatakor a készülékből forró gőz távozik párolás közben. Az étel ellenőrzésekor mindig használjon hosszú nyelű konyhai eszközöket.
- A készülék működése közben ne nyúljon az ételpároló fölé.
- Ne érintse meg a készülék forró felületeit. A készülék forró alkatrészeinek az érintésekor mindig viseljen konyhai kesztyűt.
- A készülék működése közben ne mozgassa az ételpárolót.
- A fedelet mindig óvatosan, távolodó irányba vegye le. Várja meg, míg a lecsapódott pára lecspegeg az ételpárolóba, így elkerülheti a forrázást.
- A gőzölőkosarat mindig a fogantyúnál fogja meg, ha az étel forró.
- Ne üntse ki a víztartályt a vízbetöltő nyíláson keresztül. A víztartály kiürítéséhez döntse hátra a talpat, és öntse ki a vizet a talp hátsó részénél (ábra 3).
- Tisztítás előtt mindig húzza ki a csatlakozódugót a fali aljzatból és hagyja lehűlni a készüléket.

### **Automatikus kikapcsolás**

A készülék automatikus kikapcsoló funkcióval rendelkezik. Automatikusan kikapcsol, ha nem nyom meg egyetlen gombot sem a csatlakoztatás után 2 percen belül. A készülék automatikusan kikapcsol akkor is, ha a beállított párolási idő (a melegen tartási idővel együtt) letelik.

### **Bimetál hőkapcsoló**

Az ételpároló bimetál hőkapcsolóval rendelkezik. A hőkapcsoló automatikusan kikapcsolja a fűtőelemet, ha nincs víz a víztartályban, illetve ha a víz használat közben elfogy. Töltsön a víztartályba hideg vizet a MAX jelzésig, mielőtt a készüléket újra használná.

### **Elektromágneses mezők (EMF)**

Ez a Philips készülék megfelel az elektromágneses mezőkre (EMF) vonatkozó szabványoknak. Amennyiben a használati útmutatóban foglaltaknak megfelelően üzemeltetik, a tudomány mai állása szerint a készülék biztonságos.

### **Teendők az első használat előtt**

- 1** A készülék első használata előtt alaposan tisztítsa meg azokat a részeket, amelyek az étellel érintkezni fognak (lásd a „Tisztítás és karbantartás” c. részt).
- 2** A víztartály belső oldalát nedves ruhával törölje le.

## Előkészítés a használatra

- 1** A készüléket stabil, vízszintes és sík felületen helyezze el.
- 2** A készülék csatlakoztatása előtt teljesen tekerje le a hálózati kábelt a készülék alján lévő tartóról.
- 3** Töltse fel vízzel a víztartályt a MAX jelzésig (ábra 4).
- 4** A MAX jelzésig töltött pároló hozzávetőlegesen 60 perces működésre képes.

Ne töltse a víztartályt a MAX jelzés fölé.

Kizárólag vizet öntsön a víztartályba. Ne tegyen a víztartályba semmilyen fűszert, olajat vagy egyéb anyagokat.

- 4** Tegye a cseppfelfogó tálcát a talpba helyezett víztartályra (ábra 5).

*Megjegyzés: Soha ne használja a készüléket a cseppfelfogó tálca nélkül, és ne öntsön vizet, fűszereket, olajat vagy más anyagokat a cseppfelfogó tálcára.*

- 5** Helyezze az aromatartó edényt a cseppfelfogó tálcára, ha szeretne extra ízt adni a párolt ételeknek. (ábra 6)

- Töltse fel az aromatartó edényt friss vagy szárított fűszernövényekkel.
- A különböző fajtájú ételekhez ajánlott fűszerek felsorolását a párolási táblázat tartalmazza, az „Ételek és párolási tanácsok” című fejezetben.

- 6** Helyezze a párolni kívánt ételt egy vagy több gőzölőkosárba és/vagy a levesestálba (csak HD9190 esetén). (ábra 7)

- Mindig felülről helyezze az eltávolítható alsó részeket a gőzölőkosarakba. Az alsó részek megfelelő behelyezéséhez előbb az egyik, majd a másik felét engedje bele a kosárba, míg az egység a helyére nem kerül („kattan”). Ellenőrizze, hogy az egység kiálló része felfelé néz-e (ábra 2).
- Ne tegyen túl sok ételt a gőzölőkosarakba. Hagyjon helyet az ételdarabok között, és ossza el egyenletesen az ételt a kosár alján.
- Csak HD9189 esetén: rizsfőzéshez használhat olyan könnyű edényt, amely beleillik a gőzölőkosarakba. Ellenőrizze, hogy van-e szabad hely az edény körül, amely a gőz párolón belüli megfelelő áramlásához szükséges.
- Helyezze a nagyobb ételdarabokat és a hosszabb párolást igénylő ételeket a legalsó gőzölőkosárba (1).
- Tojások kényelmes párolásához helyezze a tojásokat a tojástartókra (ábra 8).
- Nagyobb ételek (pl. egész csirke, csöves kukorica) párolásához vegye le az eltávolítható alsó részeket a közepes gőzölőkosárról (2) és a nagy gőzölőkosárról (3), egyetlen nagy kosarat kialakítva ezzel.

*Megjegyzés: A gőzölőkosarak maximális terhelhetősége 1kg.*

- 7** Helyezzen egy vagy több gőzölőkosarat a cseppfelfogó tálcára. Rendezze el a kosarakat úgy, hogy ne lötyögjenek (ábra 9).

- Nem kell feltétlenül mindhárom gőzölőkosarat használni.
- A gőzölőkosarak 1-től 3-ig meg vannak számozva. A számozást a gőzölőkosarak fogantyúján találja. Egy nagyobb kosarat rátehet egy kisebb kosárra, de akkor illeszkednek a legjobban, ha növekvő sorrendben helyezi egymásra a kosarakat: a legkisebbet (1) legfelülre, alá a közepeset (2) és legalulra a legnagyobbat (3). Mindig helyezze a cseppfelfogó tálcát a gőzölőkosarak alá, és csak azokat a kosarakat használja, amelyekben étel van (ábra 10).
- Csak HD9190 esetén: a levesestál levesek, más folyékony ételek és halak készítésére szolgál.
- A levesestál használatakor helyezze azt a nagy gőzölőkosárba (3) (ábra 11).

- Csak HD9190 esetén: ha kiveszi az eltávolítható alsó részt a nagy gőzölőkosárból (3), hogy alatta a közepes gőzölőkosárral (2) egyetlen nagyobb kosarat alakítson ki, a levesestálat akkor is ráhelyezheti hal, rizs vagy leves készítéséhez (ábra 12).
- Ha kiveszi az eltávolítható alsó részt a közepes gőzölőkosárból (2), hogy alatta a kis gőzölőkosárral (1) egyetlen nagyobb kosarat alakítson ki, akkor is ráteheti a nagy gőzölőkosarat (3) a tetejére.

### **8** Helyezze a fedelet a felső gőzölőkosárra (ábra 13).

*Megjegyzés: Ha a fedelet nem vagy nem megfelelően helyezi a gőzölőkosárra, az étel párolása nem lesz megfelelő.*

## **A készülék használata**

A pároló két párolási módban használható:

- 1 Kézi üzemmód a pároló gyors aktiválásához.
- 2 Program mód:
  - Étkezés program: egy teljes étkezés elkészítéséhez, amikor az egyes kosarakhoz különböző elkészítési idők tartoznak.
  - Konyhafőnök program preset gombokkal: olyan ételek készítéshez, amelyekhez előre meghatározott elkészítési idők és hőmérsékletek tartoznak.

Az egyes üzemmódok használatáról a következő fejezetekben olvashat.

### **Általános eljárás**

A következőkben a három párolási mód közös lépéseit olvashatja.

- 1** Csatlakoztassa a hálózati dugót a fali aljzatba.
  - ▶ A be-/kikapcsoló gomb jelzőfénye világítani kezd, és az alapértelmezett párolási idő (20 perc) megjeljen a kijelzőn (ábra 14).
- 2** Válassza ki a két párolási mód egyikét, és kövesse a szükséges lépéseket (az egyes párolási módokról a következő fejezetekben olvashat).

*Megjegyzés: Nem használhatja egy időben a két párolási módot. Hasonlóképpen nem használhatja egyszerre az étkezés programot és a konyhafőnök programot sem.*

*Megjegyzés: Ha nagy mennyiségű ételt párol, a párolási idő felénél keverje meg az ételt hosszú nyelű konyhai eszközzel. Viseljen konyhai kesztyűt.*

*Megjegyzés: A párolás első 5 percében világít a turbo jelzőfény. Ez azt jelzi, hogy a pároló többletenergiát használ a gyors felmelegítéshez.*

- 3** A párolás befejeztével a készülék 5-ször sípol, majd automatikusan melegen tartó üzemmódra vált (lásd a „Melegen tartó üzemmód” c. fejezetet).

- 4** Használat után óvatosan vegye le a fedelet.

Vigyázzon, a fedél eltávolításakor a készülékből forró gőz távozik.

*Megjegyzés: Az égési sérülések megelőzése érdekében a fedél eltávolításakor viseljen konyhai kesztyűt. A fedelet mindig lassan, távolodó irányba vegye le. Várja meg, míg a lecsapódott pára lecspegeg a gőzölőkosárba.*

*Megjegyzés: A gőzölőkosarakban lévő ételek kivételéhez hosszú nyelű konyhai eszközt használjon.*

- 5** A gőzölőkosarak eltávolításakor várja meg, amíg a lecsapódott pára lecspegeg az alsó gőzölőkosárba vagy a cseppfelfogó tálcára.
- 6** Húzza ki a dugót a fali konnektorból, és várja meg, míg a pároló teljesen lehűl, majd vegye ki a cseppfelfogó tálcát.



**7** Minden használatot követően ürítse ki a víztartályt; ehhez döntse hátra a talpat, és öntse ki a vizet a talp hátsó részénél (ábra 3).

Körültekintően járjon el a cseppfelfogó tálca kivételekor és a víztartály kiürítésekor, mert a bennük lévő víz forró lehet, még akkor is, ha a készülék többi része már lehűlt.

*Megjegyzés: Ha párolás közben elfogy a víz, az üres víztartályt jelző fény világítani kezd, jelezve, hogy fel kell töltenie a víztartályt (ábra 15).*

*Megjegyzés: Ha több ételt szeretne párolni, és több vízre van szüksége, a víztartály feltöltéséhez hozzáadhat kis mennyiségű vizet a vízbetöltő nyíláson keresztül.*

*Megjegyzés: A készülék automatikusan készenléti üzemmódba vált, ha 2 percig nem használják. Nyomja meg a start/stop gombot a kezelőpanel ismételt aktiválásához.*

### **Kézi üzemmód**

Használja ezt az üzemmódot a pároló gyors aktiválásához.

**1** Nyomja meg az időzítő fel/le gombot a szükséges párolási idő megadásához (ábra 16).

**2** Nyomja meg a start/stop gombot a párolás megkezdéséhez (ábra 17).

- A párolás elkezdődik. A start/stop gomb jelzőfénye és a turbo jelzőfény lassan villog, az időzítő pedig visszafelé számolja a beállított párolási időt (ábra 18).
- Ha a beállított párolási idő letelt, a készülék sípol, és melegen tartó üzemmódra vált. A melegen tartást jelző fény világítani kezd (ábra 19).

### **Program mód: étkezés program**

Ezt a programot olyan teljes étkezések elkészítéséhez használja, amikor az egyes gőzölőkosarakhoz különböző elkészítési idők tartoznak. A készülék automatikusan a leghosszabb elkészítési idővel kezdi párolni a gőzölőkosárban lévő ételt, és sípolással jelzi, hogy mikor tegye rá a rövidebb elkészítési időt igénylő gőzölőkosarat vagy kosarakat. Az utolsó gőzölőkosárhoz tartozik a legrövidebb elkészítési idő.

*Megjegyzés: Ha egy étkezés elkészítéséhez nem szeretné mindhárom gőzölőkosarat használni, csak a használt gőzölőkosarakhoz állítsa be az időzítőt.*

**1** Nyomja meg az étkezés program gombot. (ábra 20)

- Az étkezés program gomb jelzőfénye és a három gőzölőkosár gombja is világítani kezd (ábra 21).

**2** Nyomja meg az 1-es, 2-es vagy 3-as gőzölőkosár gombot a megfelelő gőzölőkosár kiválasztásához. (ábra 22)

- A megfelelő jelzőfény villogni kezd.

**3** Az időzítő fel/le gombokkal állítsa be a kiválasztott gőzölőkosárhoz szükséges elkészítési időt. (ábra 23)

**4** Megerősítésként nyomja meg még egyszer annak a gőzölőkosárnak a gombját, amelyikhez beállította az időt. (ábra 24)

- A gőzölőkosár gombja alatt lévő pont világítani kezd, jelezve ezzel az idő beállítását.

**5** Ismétlje a 2-4. lépést addig, amíg az összes használni kívánt gőzölőkosárhoz be nem állította az időt.

**6** Tegye az alapanyagokat a gőzölőkosarakba. Ha mindhárom gőzölőkosarat használja, tegye a leghosszabb elkészítési időt igénylő ételt a legkisebb gőzölőkosárba (1), a második leghosszabb elkészítési időt igénylő ételt a közepes gőzölőkosárba (2) és a legrövidebb elkészítési időt igénylő ételt a legnagyobb gőzölőkosárba (3).

**7** Helyezze a leghosszabb elkészítési idejű gőzölőkosarat a pároló talpára.

- 8** Nyomja meg a start/stop gombot (ábra 17).
- ▶ A leghosszabb elkészítési idejű gőzölőkosár párolása elkezdődik. A start/stop gomb jelzőfénye lassan villog, az időzítő pedig visszafelé számolja a párolási időt.
  - ▶ Kis idő elteltével a készülék sípol, és a második leghosszabb elkészítési idejű gőzölőkosár jelzőfénye gyorsan villogni kezd, jelezve, hogy fel kell helyeznie a következő gőzölőkosarat (ábra 25).
- 9** Helyezze a második leghosszabb elkészítési idejű gőzölőkosarat a párolón lévő gőzölőkosár tetejére, és nyomja meg a gőzölőkosár villogó gombját vagy a start/stop gombot.
- 10** A pároló folytatja a párolást.
- ▶ A start/stop gomb jelzőfénye lassan villog, az időzítő pedig visszafelé számolja a párolási időt.
  - ▶ Kis idő elteltével a készülék sípol, és a legrövidebb elkészítési idejű gőzölőkosár jelzőfénye villogni kezd, jelezve, hogy fel kell helyeznie ezt a gőzölőkosarat.
- 11** Helyezze a legrövidebb elkészítési idejű gőzölőkosarat a többi gőzölőkosár tetejére, és nyomja meg a gőzölőkosár villogó gombját vagy a start/stop gombot.
- 12** A pároló folytatja a párolást.
- ▶ A start/stop gomb jelzőfénye lassan villog, az időzítő pedig visszafelé számolja a párolási időt.
  - ▶ Ha a párolási idő letelt, a készülék sípol, és melegen tartó üzemmódra vált. A melegen tartást jelző fény és a start/stop gomb jelzőfénye lassan villog.

### **Program mód: konyhafőnök program**

Ez az üzemmód olyan speciális hozzávalók elkészítéséhez optimális, amelyekhez előre meghatározott elkészítési idők és hőmérsékletek tartoznak

*Megjegyzés: A konyhafőnök programot csak a legalsó, közvetlenül a cseppfelfogó tálcára helyezett gőzölőkosárral használhatja.*

*Megjegyzés: A konyhafőnök program preset gombjaihoz hosszabb elkészítési idők tartoznak, mint a kézi üzemmódhoz. Ennek oka, hogy a legjobb ételminőség eléréséhez szükséges főzési hőmérsékletek ez esetben nem mindig érik el a 100 °C-ot.*

- 1** Nyomja meg a konyhafőnök program gombot (ábra 26).
- ▶ A konyhafőnök program gomb jelzőfénye és a négy preset gomb is világítani kezd (ábra 27).
- 2** Nyomja meg a négy preset gomb egyikét.
- Hal készítéséhez nyomja meg a hal gombot (ábra 28).
  - Burgonya készítéséhez nyomja meg a burgonya gombot (ábra 29).
  - Rizs készítéséhez nyomja meg a rizs gombot (ábra 30).
  - Zöldség készítéséhez nyomja meg a zöldség gombot (ábra 31).
- 3** Szükség esetén, a gőzölőkosárban lévő hozzávalók mennyiségétől és méretétől függően beállíthatja az elkészítési időt az időzítő le/fel gombbal.
- 4** Nyomja meg a start/stop gombot.
- ▶ A párolás elkezdődik, és a start/stop gomb jelzőfénye lassan villog. A kijelzőn felváltva látható az időzítő visszaszámlálása és a kiválasztott preset gombhoz tartozó aktuális elkészítési hőmérséklet.
  - ▶ Ha a párolási idő letelt, a készülék sípol, és melegen tartó üzemmódra vált. A melegen tartást jelző fény világítani kezd.

## Melegen tartó üzemmód

Párolás után a pároló automatikusan átkapcsol melegen tartó üzemmódra, és a melegen tartást jelző fény világitani kezd.

A melegen tartó üzemmód 20 percig tartja melegen az ételt.

- Ha 20 percnél hosszabb ideig szeretné melegen tartani az ételt, az időzítő fel/le gombbal állítsa be a melegen tartási időt.
- Ha szeretné kikapcsolni a melegen tartó üzemmódot, nyomja meg a start/stop gombot.

## Tisztítás és karbantartás

A készülék tisztításához ne használjon dörzsszivacsot és súrolószert (pl. mosószert, benzint vagy acetont).

**1** Húzza ki a dugót a fali aljzatból, és hagyja lehűlni a készüléket.

**2** A talp burkolatát nedves ruhával tisztítsa.

Soha ne merítse a talpat vízbe, és ne öblítse le vízcsap alatt.

**3** A víztartályt meleg vízbe és kevés mosogatószerbe mártott kendővel tisztítsa. Ezután törölje le a víztartályt tiszta, nedves kendővel.

**4** A fedelet kézzel, meleg, mosogatószeres vízben tisztítsa.

Ne tisztítsa a fedelet mosogatógépben.

**5** Vegye ki az eltávolítható alsó részeket a gőzölőkosarakból. Tisztítsa meg a gőzölőkosarakat, az eltávolítható alsó részeket, az aromatartó edényt, a cseppfelfogó tálcat és a levesestálat (csak HD9190 esetén) kézzel, meleg, mosogatószeres vízben. Rövid programon és alacsony hőmérsékleten mosogatógépben is tisztíthatja őket.

A gőzölőkosarak mosogatógépben való többszöri tisztítás után kissé megfakulhatnak.

## Vízkömentesítés

Végezzen vízkömentesítést, ha a víztartályon vízkőlerakódás látható. A rendszeres vízkömentesítés fontos az ételpároló optimális teljesítményének megőrzéséhez.

**1** Töltsön a víztartályba ecetet (8%-os ecetsavat) a MAX jelzésig.

Ne használjon másfajta vízkőoldó szert.

**2** Helyezze a cseppfelfogó tálcat és a kis gőzölőkosarat (1) megfelelően a talpra (ábra 32).

**3** Helyezze a fedelet a kis gőzölőkosár tetejére (ábra 33).

**4** Csatlakoztassa a hálózati dugót a fali aljzatba.

**5** Nyomja meg a start/stop gombot a kezelőpanel aktiválásához.

**6** Nyomja meg a start/stop gombot a készülék 20 perces működtetéséhez (ábra 17).

Ha az ecet kifut a talp szélén, akkor húzza ki a készülék dugóját, és csökkentse az ecet mennyiségét.

**7** Amikor a készülék sípol, húzza ki hálózati csatlakozódugóját, és várja meg, míg az ecet teljesen lehűl. Ezután ürítse ki a víztartályt.

**8** Öblítse át többször a víztartályt hideg vízzel.

*Megjegyzés: Ha még mindig maradt vízkő a víztartályban, ismételje meg a műveletet.*

**Tárolás**

- 1** Mielőtt eltenné a készüléket, ellenőrizze, hogy minden alkatrész tiszta és száraz-e (lásd a „Tisztítás és karbantartás” c. fejezetet).
- 2** A hálózati kábelt a talpra csévélve tárolja (ábra 34).
- 3** Helyezze a cseppfelfogó tálcát a talpra (ábra 35).
- 4** Győződjön meg róla, hogy az eltávolítható alsó részek a gőzölőkosarakban vannak-e.
- 5** Helyezze a nagy gőzölőkosarat (3) a cseppfelfogó tálcára. Helyezze a közepes gőzölőkosarat (2) a nagy gőzölőkosárba (3). Helyezze a kis gőzölőkosarat (1) a közepes gőzölőkosárba (2) (ábra 36).
- 6** Csak HD9190 esetén: helyezze a levestátát a kis gőzölőkosárba (1).
- 7** Tegye a fedelet a levestátára (csak HD9190 esetén) vagy a kis gőzölőkosárra (ábra 37).

**Jótállás és szervíz**

Ha javításra vagy információra van szüksége, vagy ha valamilyen probléma merült fel, látogasson el a Philips weboldalára (**www.philips.com/support**), vagy forduljon az adott ország Philips vevőszolgálatához. A telefonszámot megtalálja a világszerte érvényes garancialevélen. Ha országában nem működik ilyen vevőszolgálat, forduljon a Philips helyi szaküzletéhez.

**Környezetvédelem**

- A feleslegessé vált készülék szelektív hulladékként kezelendő. Kérjük, hivatalos újrahasznosító gyűjtőhelyen adja le, így hozzájárul a környezet védelméhez (ábra 38).

**Hibaelhárítás**

Ez a fejezet összefoglalja a készülékkel kapcsolatban leggyakrabban felmerülő problémákat. Ha nem sikerül megoldania a problémát az alábbi információk alapján, forduljon a helyi Philips vevőszolgálatához.

Probléma	Lehetséges ok	Megoldás
A pároló nem működik.	Az ételpároló nincs bedugva.	Csatlakoztassa a hálózati dugót a fali aljzatba.
	Nincs víz a tartályban.	Töltse fel a víztartályt.
	Még nem nyomta meg a start/stop gombot.	Nyomja meg a start/stop gombot.
Nem főtt meg minden étel.	A párolóban egyes ételdarabok nagyobbak és/ vagy hosszabb párolási időt igényelnek másoknál.	Állítson be hosszabb párolási időt a + gombbal.
		Helyezze a nagyobb méretű, illetve a hosszabb párolást igénylő ételeket a kis gőzölőkosárba (1), és kezdje meg a párolást valamennyivel a többi kosár felhelyezése előtt.
	Túl sok ételt helyezett a gőzölőkosarakba.	Ne terhelje túl a gőzölőkosarakat. Vágja kisebb darabokra az ételt, és a legkisebb darabokat helyezze felülre.

Probléma	Lehetséges ok	Megoldás
		Hagyjon helyet az ételdarabok között, és ossza el egyenletesen az ételt a kosár alján.
A készülék nem fűt megfelelően.	Nem végzett rendszeresen vízkömentesítést a készüléken.	Vízkömentesítse a készüléket (lásd a „Tisztítás és karbantartás” című fejezetet).
Pároláskor a víz kifiröccsen a víztartályból.	Túl sok vizet tett a víztartályba.	Távolítsa el a felesleges vizet a víztartályból. Ellenőrizze, hogy a vízszint a MAX jelzés alatt van-e.
Az üres víztartályt jelző fény világitani kezd, pedig van elég víz a víztartályban.	Túl sok vízkő rakódott a fűtőelemre.	Vízkömentesítse a víztartályt. Lásd a „Tisztítás és karbantartás” c. fejezet „Vízkömentesítés” c. részét.
Az aromatartó edény hatékonysága csökkent vagy megszűnt.	Nem tett elég fűszernövényt az aromatartó edénybe.	Tegyen több fűszernövényt az aromatartó edénybe.
	Nem a megfelelő fűszernövényeket tette az aromatartó edénybe.	Tegyen erősebb fűszernövényeket az aromatartó edénybe. Lásd az ételpárolási táblázatot az „Ételek és párolási tanácsok” c. fejezetben.
	A készítéshez képest jóval később ette meg az ételt.	Készítés után rögtön fogyassza el az ételt.
Habos a víz a víztartályban vagy a cseppelfogó tálcán.	Habképződéssel járhat, ha fehérje kerül a víztartályban lévő vízbe, vagy ha tisztítószer marad vissza a víztartályban.	Tisztítsa meg a víztartályt. Lásd a „Tisztítás és karbantartás” c. fejezetet.

### Ételek és párolási tanácsok

- A receptleírásokat megnézheti a receptfüzetben vagy a [www.philips.com/kitchen](http://www.philips.com/kitchen) weboldalon.
- Az alábbi táblázatban feltüntetett párolási idők csak tájékoztató jellegűek. A párolási idők az ételdarabok nagyságától, a gőzölőkosárba helyezett ételdarabok közötti távolságtól, a kosárban lévő étel mennyiségétől, az étel frissességétől és ízléstől függően eltérőek lehetnek.

### Ételpárolási táblázat

Párolandó étel	Mennyiség	Párolási idő (perc)	Az aromatartó edényhez ajánlott fűszernövények/fűszerek
Spárga	500 g	15-20	Kakukkfű, bazsalikom, citrom
Bébiukorica	20 dkg	5-8	Snidling, chili, paprika
Zöldbab	500 g	15-20	Petrezselyem, citrom, fokhagyma
Brokkoli	400 g	20	Fokhagyma, őrölt piros chili, tárkony
Sárgarépa	500 g	20	Petrezselyem, őrölt mustármag, snidling

Párolandó étel	Mennyiség	Párolási idő (perc)	Az aromatartó edényhez ajánlott fűszernövények/fűszerek
Karfiolrózsa	400 g	20	Rozmaring, bazsalikom, tárkony
Zeller (kockák)	30 dkg	15-20	Kömény, fehérbors, chili
Csirkecomb	1 db	25	Fekete bors, citrom, paprika
Csöves kukorica	500 g	30-40	Petrezselyem, fokhagyma, snidling
Cukkini (szeletelt)	500 g	10	Kapor, zsálya, rozmaring
Kuskusz	150 g + 250 ml víz	10-15	Kömény, koriander, szegfűszeg
Tojás	6 db	12-15	-
Gyümölcs	500 g / 4 db	10-15	Fahéj, citrom, szegfűszeg
Borsó (fagyasztott)	400 g	20-25	Rozmaring, kömény, petrezselyem
Burgonya	400 g	25-30	Petrezselyem, snidling, fokhagyma
Gaméla	20 dkg	5	Őrölt curry, sáfrány, citrom
Puding	4 edény	20	Fahéj, szegfűszeg, vanília
Rizs	150 g + 300 ml víz	35	Pandan, petrezselyem, kömény
	250 g + 500 ml víz	35	Pandan, petrezselyem, kömény
Lazac	450 g	12-15 perc	Kapor, petrezselyem, bazsalikom
Fehér hal	450 g	10-15	Őrölt mustármag, jamaikai szegfűbors, majoránna

### **Az előre beállított párolási módokhoz tartozó párolási idők (ábra 39)**

#### **Tanácsok az ételpároláshoz**

##### **Aromatartó edény**

- Az aromatartó edénybe helyezhető fűszerek például a rozmaring, a kakukkfű, a koriander, a bazsalikom, a kapor, a curry és a tárkony. Ezeket vegyítheti fokhagymával, köménnyel vagy tormával, melyek só hozzáadása nélkül is kiemelik az ízeket. 1/2-3 teáskanálnyi szárított fűszernövény és fűszer hozzáadása ajánlott. Friss fűszernövényekből és fűszerekből használjon nagyobb mennyiséget.
- Az aromatartó edény hatása a legelső, közvetlenül a cseppfelfogó tálcára helyezett kosárban főzött ételre a legerősebb.
- Az aromatartó edénybe helyezhető fűszernövényekre, fűszerekre és folyadékokra vonatkozóan további tippet tartalmaz a fenti ételpárolási táblázat.
- Fokozhatja az aromatartó edény hatását és még ízletesebbé teheti az ételt, ha némi olajat locsol az ételre.

- A legjobb eredmény elérése érdekében vágja apró darabokra a fűszernövényeket, és egyenletesen töltsze meg az aromatartó edényt.
- A legjobb íz elérése érdekében javasoljuk, hogy elkészítés után rögtön fogyassza el az ételt.
- Ne öntsön folyadékot az aromatartó edénybe.

### **Zöldségek és gyümölcsök**

- Vágja le a karfiol, brokkoli és káposzta vastag szárát.
- A friss leveles zöldségeket a lehető legrövidebb ideig párolja, mert könnyen elveszítik színüket.
- A fagyott zöldségeket ne olvassa fel párolás előtt.

### **Hús, szárnyasok, tengeri termékek és tojás**

- Pároláshoz a puha, nem túl zsíros húsdarabok a legalkalmasabbak.
- Mossa meg alaposan a húst, és törölgesse szárazra, hogy minél kevesebb levet eressen.
- A húst, szárnyast, halat és tojást mindig az egyéb ételfajták alá helyezze a levek kicsöpögésének megakadályozása érdekében.
- Szúrja ki a tojásokat, mielőtt a párolóba helyezné őket.
- Ne pároljon fagyott húst, szárnyast vagy tengeri termékeket! Párolás előtt várja meg, míg a fagyott hús, szárnyas vagy tengeri termékek teljesen felolvadnak.

### **Desszertek**

- A desszertek édes ízét cukor helyett fahéj hozzáadásával növelje.

### **Általános tippek**

- Csak HD9190 esetén: ha rizst szeretne főzni, tegye a rizst a levesestálba, és öntsön hozzá egy kis vizet. A pontos mennyiségeket lásd a fenti ételpárolási táblázatban.
- Ha a rizs preset gombbal megfőzte a rizst, kapcsolja ki a készüléket, keverje meg a rizst, és hagyja 5 percig a fedéllel lezárt edényben. Ez még ízletesebbé teszi.
- Csak HD9190 esetén: leves készítésén kívül a levesestálat szószos zöldségek készítésére, hal és marinált étel főzésére, ill. puding, leves és rizs készítésére is használhatja.
- Hagyjon helyet az ételdarabok között, és ossza el egyenletesen az ételt a kosár alján.
- Ha nagyon sok ételt tesz a gőzölőkosárba, akkor a párolási idő felénél keverje meg az ételt.
- Kis mennyiségű étel rövidebb párolási időt igényel mint a nagy mennyiségű étel.
- Ha csak egy gőzölőkosarat használ, akkor az étel rövidebb párolási időt igényel, mint 2 vagy 3 gőzölőkosár használata esetén.
- Ha több gőzölőkosarat használ, főzze 5-10 perccel tovább az ételt.
- Az étel hamarabb elkészül a kis gőzölőkosárban (1), mint a felső gőzölőkosarakban.
- Fogyasztás előtt ellenőrizze, hogy megfőtt-e az étel. Ez különösen fontos a sertés-, a vagdalt marha- és a csirkehús esetében.
- Párolás közben is tehet ételt a kosarakba, illetve felhelyezhet ételt tartalmazó kosarakat. Ha egy hozzávaló rövidebb párolási időt igényel, tegye később a kosárba.
- Az étel párolása egy ideig még folytatódik, amikor a pároló átvált meleg tartó üzemmódra. Ezért ha az étel már teljesen megfőtt, vegye ki a párolóból, amikor a párolási folyamat befejeződik, és a készülék átvált meleg tartó üzemmódra.
- Ha az étel nem főtt meg, állítson be hosszabb párolási időt. Lehetséges, hogy több vizet kell töltenie a víztartályba.
- Csak HD9190 esetén: az ételpárolóban levest is lehet melegíteni. Öntse a levest a levesestálba, és hagyja főni a halpároló programon. 2,5 dl levest kb. 10 perc alatt lehet felmelegíteni.

**Кіріспе**

Өнімді сатып алуыңызбен құттықтаймыз және Philips компаниясына қош келдіңіз! Philips компаниясы ұсынатын қолдауды толығымен пайдалану үшін, өнімді [www.philips.com/welcome](http://www.philips.com/welcome) веб-торабында тіркеніз.

**Жалпы сипаттама (Сурет 1)**

- 1 Дисплей мен түймелер бар басқару тақтасы
- Бастау/тоқтату және кідірту түймесі (a)
- Таймер жоғары және төмен түймесі (b)
- «Су ыдысы бос» шамы (c)
- Бүмен әзірлеу табағының түймелері (d) (1, 2, 3)
- Тамақ бағдарламасы түймесі (e)
- Басты бағдарлама түймесі (f)
- Басты бағдарламаның алдын ала орнатылған түймелері (g) (балық, картоп, күріш, көкөністер)
- Таймер көрсеткіші (h)
- «Жылы күйінде сақтау» шамы (i)
- Турбо шамы (j)
- 2 Су ыдысы бар негізгі бөлік
- 3 Температура сенсоры
- 4 Тамшы науасы
- 5 Дәмдендіргіш
- 6 Шағын бүмен әзірлеу табағы (1)
- 7 Орташа бүмен әзірлеу табағы (2)
- 8 Үлкен бүмен әзірлеу табағы (3)
- 9 Сорпа ыдысы (тек HD9190 үлгісінде)
- 10 Қақпақ
- 11 Бу тесігі
- 12 Қақпақ тұтқасы
- 13 Алынбалы ыдыс түбі
- 14 Су толтыру шүмегі
- 15 Сымды сақтайтын орын

*Ескертпе Бүмен әзірлеу табақтары 1 - 3 деп нөмірленген. Бүмен әзірлеу табақтарының нөмірлері құлақтарында орналасқан. Кез келген үлкенірек табақты шағынырақ табақтың үстіне орнатуға болады, бірақ табақтарды логикалық үлкею ретімен бір-біріне қойғанда жақсы орналасады: алдымен ең шағын табақ (1), содан кейін орташа табақ (2), ал соңынан үлкен табақ (3).*

*HD9190 үлгісі бойынша ескертту: Сорпа ыдысын үлкен табақпен (3) бірге пайдаланған жөн.*

*Ескертпе Әрдайым бүмен әзірлеу табақтарының астында тамшы науасын пайдаланыңыз және тек тамақ толтырылған бүмен әзірлеу табақтарын пайдаланыңыз.*

**Маңызды**

Құралды қолданбас бұрын, осы пайдаланушы нұсқаулығын мұқият оқып шығып, болашақта анықтамалық құрал ретінде пайдалану үшін сақтап қойыңыз.

**Қауіпті жағдайлар**

- Негізгі бөлікті суға батыруға немесе оны ағынды сумен шаюға болмайды.



## Абайлаңыз

- Құралды қоспас бұрын, онда көрсетілген кернеудің жергілікті желі кернеуіне сәйкес келетінін тексеріп алыңыз.
- Құралды тек жерге қосылған розеткаға жалғаңыз. Штепсельдік ұштың розеткаға дұрыс жалғанғанын әрдайым тексеріңіз.
- Бұл құрылғы сыртқы таймермен немесе бөлек қашықтан басқару жүйесімен басқаруға арналмаған.
- Штепсельдік ұшы, қуат сымы немесе өзі зақымданған болса, құралды қолданбаңыз.
- Қуат сымы зақымданған болса, қауіпті жағдай орын алмауы үшін, оны тек Philips компаниясында, Philips мақұлдаған қызмет орталығында немесе білікті мамандар ауыстыруы керек.
- Қауіпсіздігіне жауапты адамның қадағалауынсыз немесе құрылғыны пайдалану нұсқауларынсыз, физикалық және ойлау қабілеті шектеулі, сезімталдығы төмен, сондай-ақ білімі мен тәжірибесі аз адамдар (соның ішінде балалар) бұл құрылғыны қолданбауы керек.
- Балалардың құралмен ойнамауын қадағалаған жөн.
- Қуат сымын балалардың қолы жетпейтін жерде ұстаңыз. Құрал тұрған беттің немесе үстелдің шетінен қуат сымы салбырап тұрмауы тиіс.
- Қуат сымын ыстық жерлерден аулақ ұстаңыз.
- Құралды розеткаға жалғамас бұрын, ток сымын негізгі бөліктегі орауыштан толығымен босатып алыңыз.
- Тоңазытылған етті, тауықты немесе теңіз тағамдарын бумен пісіруге болмайды. Бумен пісірмес бұрын, міндетті түрде ерітіп алыңыз.
- Бумен пісіргішті тамшы науасынсыз қолдануға болмайды. Ыстық су құралдың сыртына төгілуі мүмкін.
- Бумен әзірлеу табақтарын және сорпа ыдысын (тек HD9190 үлгісінде) түпнұсқа негізбен бірге ғана қолданыңыз.

## Ескерту

- Бұл құрал тек үйде пайдалануға арналған. Дүкен, кеңсе, ферма сияқты жұмыс орындарының асханасы сияқты орталарда қолдануға жараммайды. Қонақ үй, мотель, жатақ пен таңғы ас берілетін орындар, басқа да тұрғылықты орталарда қолдануға да болмайды.
- Құрылғыны дұрыс қолданбаса, кәсіби немесе жартылай кәсіби мақсаттарда қолданса, пайдаланушы нұсқаулығындағы нұсқауларға сәйкес қолданбаса, кепілдік жарамсыз болады және Philips компаниясы болған зақымдарға байланысты кез келген жауапкершіліктен бас тартады.

- Philips арнайы ұсынбаған немесе Philips компаниясынан басқа өндірушілер шығарған қосалқы құралдарды немесе бөлшектерді қолдануға болмайды. Қолданған жағдайда, өнімнің кепілдігі өз күшін жояды.
- Құралдың негізгі бөлігін температурасы жоғары, ыстық газы, буы бар, сондай-ақ, бумен пісіргіштің өзінен тыс басқа құралдардан шығатын ылғалды ыстығы бар жерде сақтамаңыз. Бумен пісіргішті жұмыс жасап тұрған немесе ыстық плитаның немесе пештің үстіне немесе жанына қоюға болмайды.
- Жұмыс істеп тұрған құралды қабырғалар мен ыдыс-аяқ салатын шкафтар сияқты бумен зақымданатын заттардың астына немесе жанына қоюға болмайды.
- Құралды жарылатын және/немесе жанатын булар бар жерде қолдануға болмайды.
- Бумен пісіргішті тегіс, тұрақты және көлденең жерге қойып, оның қатты ысып кетуін болдырмау үшін, айналасында кемінде 10 см бос жер қалдырыңыз.
- Әрқашан алынбалы ыдыс түптерін бумен әзірлеу табақтарына жоғарғы жағынан бастап қойыңыз. Ыдыс түптерін дұрыс орналастыру үшін алдымен бір жағын табаққа төмендетіңіз, содан кейін екінші жағын түп орнына («сырт» етіп) түскенше төмендетіңіз. Түптегі шығыңқы жер жоғары қарап тұрғанын тексеріңіз. (Сурет 2)
- Бумен пісіру барысында, жылы күйінде сақтау режимінде болғанда немесе қақпағын ашқанда бумен пісіргіштен шығатын ыстық будан абай болыңыз. Тамақты тексергенде, сабы ұзын ас үй құралдарын қолданыңыз.
- Бумен пісіргіш істеп тұрғанда, оның үстінен еңкеймеңіз.
- Құралдың ыстық беттерін қолмен ұстамаңыз. Құралдың ыстық бөліктерін ұстамас бұрын, ас үй қолғаптарын кийіңіз.
- Істеп тұрғанда, пісіргішті қозғамаңыз.
- Қақпақты абайлап, өзіңізден алыс ұстап ашыңыз. Күйіп қалмас үшін, қақпақтағы суды бумен пісіргішке ағызыңыз.
- Тамақ ыстық болған кезде, бумен әзірлеу табағын құлақтарынан ұстаңыз.
- Су ыдысын су толтыру шүмегінен босатпаңыз. Су ыдысын босату үшін негізді артқа қисайтыңыз да, суды негіздің артынан төгіңіз (Сурет 3).
- Тазарту үшін, алдымен құралды розеткадан ажыратып, суытып алу керек.

### **Автоматты түрде өшіру**

Құралдың автоматты түрде өшу функциясы бар. Розеткаға жалғағаннан кейін түймені 2 минут ішінде баспасаңыз, құрал автоматты түрде өшеді. Сонымен бірге, орнатылған бумен пісіру уақыты (соның ішінде жылы күйінде сақтау уақыты да) аяқталғанда құрал автоматты түрде жұмысын тоқтатады.

## Сусыз қайнатудан қорғау функциясы

Осы бұмен пісіргіштің құрғақ түрде қайнатудан қорғау механизмі бар. Құрғақ түрде қайнатудан қорғау механизмі су ыдысында су болмаса немесе пайдалану кезінде таусылып қалса, қыздыру элементін автоматты түрде өшіреді. Құралды қайтадан пайдалану үшін, су ыдысын MAX («ЕҢ ЖОҒАРЫ») көрсеткішіне дейін суық сумен толтырыңыз.

## Электрмагниттік өрістер (ЭМӨ)

Осы Philips құралы электромагниттік өрістерге (ЭМӨ) қатысты барлық стандарттарға сәйкес келеді. Осы пайдаланушы нұсқаулығы бойынша дұрыс қолданылса, бүгінгі таңдағы ғылыми дәлелдерге сәйкес, құрал пайдалану үшін қауіпсіз болып табылады.

## Алғаш қолданар алдында

- 1 Құралды алғаш қолданар алдында, тамақ салынатын бөліктерін жақсылап тазалаңыз («Тазалау және техникалық қызмет көрсету» тарауын қараңыз).
- 2 Су ыдысы ішін дымқыл шүберекпен сүртіп алыңыз.

## Пайдалануға дайындау

- 1 Құралды тегіс, тұрақты және көлденең жерге қойыңыз.
- 2 Құралды розеткаға жалғамас бұрын, ток сымын негізгі бөліктегі орауыштан толығымен босатып алыңыз.
- 3 Су ыдысын MAX («Ең жоғары») көрсеткішіне дейін суға толтырыңыз (Сурет 4).
- 4 Су ыдысы MAX («Ең жоғары») көрсеткішіне дейін толтырғанда бұмен пісіргіш шамамен 60 минут бұмен пісіре алады.

Су ыдысына MAX («ЕҢ ЖОҒ.») көрсеткішінен асырып су құюға болмайды.

Су ыдысына тек қана су құю керек. Су ыдысына ешқашан дәмдеуіш, май немесе басқа заттарды қосуға болмайды.

- 4 Тамшы науасын негізгі бөліктегі су ыдысының үстіне орнатыңыз (Сурет 5).

*Ескертеме Құралды ешқашан тамшы науасынсыз пайдаланбаңыз және тамшы науасына су, дәмдеуіш, май немесе басқа заттарды құймаңыз.*

- 5 Бұмен пісірілетін тамаққа қосымша дәм беру үшін дәмдендіргішті тамшы науасына қойыңыз. (Сурет 6)
  - Дәмдендіргішті балғын немесе құрғақ шөптермен толтырыңыз.
  - Әртүрлі тағам түріне арналған шөптер және дәмдеуіштер түрі жөніндегі кеңестерді «Тамақ кестесі және бұмен пісіру кеңестері» тарауындағы бұмен пісіру кестесінен қараңыз.
- 6 Бұмен пісіргелі жатқан тамақты бір немесе одан да көп бұмен әзірлеу табақтарына және/немесе сорпа ыдысына (тек HD9190 үлгісінде) салыңыз. (Сурет 7)
  - Әрқашан алынбалы ыдыс түптерін бұмен әзірлеу табақтарына жоғарғы жағынан бастап қойыңыз. Ыдыс түптерін дұрыс орналастыру үшін алдымен бір жағын табаққа төмендетіңіз, содан кейін екінші жағын түп орнына («сырт» етіп) түскенше төмендетіңіз. Түптегі шығыңқы жер жоғары қарап тұрғанын тексеріңіз (Сурет 2).
  - Бұмен әзірлеу табақтарына тым көп тамақ салмаңыз. Тамақ бөліктерінің арасында біраз бос орын қалдырыңыз және тамақты табақтың түбіне біркелкі жайыңыз.
  - Тек HD9189 үлгісінде: күрішті әзірлеу үшін бұмен әзірлеу табақтарының ішіне сыятын жеңіл ыдысты пайдалануға болады. Бұмен пісіргіштің ішіндегі ауыналымы дұрыс болуы үшін ыдыстың айналасында бос орын болуын қадағалаңыз.
  - Тамақтың үлкендеу бөліктерін және бұмен ұзақ пісірілетін тамақты ең төменгі бұмен әзірлеу табағына (1) салыңыз.

- Жұмыртқаларды ыңғайлы түрде бумен пісіру үшін, оларды жұмыртқа ұстағыштарына салыңыз (Сурет 8).
- Бөліктері үлкен тамақты бумен пісіру мақсатында (мысалы, бүтін тауық, жүгері собығы) бір үлкен ыдыс жасау үшін, орташа (2) және үлкен бумен әзірлеу табағынан (3) алынбалы ыдыс түптерін алып тастауға болады.

*Ескертпе Бумен әзірлеу табақтарының ең жоғары сыйымдылығы — 1 кг.*

**7** Бір немесе бірнеше бумен әзірлеу табағын тамшы науасына қойыңыз. Табақтарды жөндеп орнатып, шайқалмайтынын тексеріңіз (Сурет 9).

- Бумен әзірлеу табақтарының үшеуін де қолдану міндетті емес.
- Бумен әзірлеу табақтары 1 - 3 деп нөмірленген. Бумен әзірлеу табақтарының нөмірлері құлақтарында орналасқан. Кез келген үлкенірек табақты шағынырақ табақтың үстіне орнатуға болады, бірақ табақтарды логикалық үлкею ретімен бір-біріне қойғанда жақсы орналасады: алдымен ең шағын табақ (1), содан кейін орташа табақ (2), ал соңынан үлкен табақ (3). Әрқашан бумен әзірлеу табақтарының астында тамшы науасын пайдаланыңыз және тек тамақ толтырылған бумен әзірлеу табақтарын пайдаланыңыз (Сурет 10).
- Тек HD9190 үлгісінде: сорпа ыдысы сорпаны, басқа сұйық тамақтарды және балықты әзірлеуге арналған. Сорпа ыдысын пайдаланғыңыз келгенде оны үлкен бумен әзірлеу табағына (3) салыңыз (Сурет 11).
- Тек HD9190 үлгісінде: астында орташа бумен әзірлеу табағы (2) бар үлкенірек табақты жасау үшін үлкен бумен әзірлеу табағынан (3) алынбалы ыдыс түбін шығарғанда, әлі де балық, күріш немесе сорпа әзірлеу үшін жоғарғы жағына сорпа ыдысын қоя аласыз (Сурет 12).
- Шағын бумен әзірлеу табағымен (1) үлкенірек табақты жасау үшін орташа бумен әзірлеу табағынан (2) алынбалы ыдыс түбін шығарғанда, әлі де үлкен бумен әзірлеу табағын (3) жоғарғы жағында қоюға болады.

**8** Қақпақпен жоғарғы бумен әзірлеу табағын жабыңыз (Сурет 13).

*Ескертпе Егер бумен әзірлеу табағының қақпағы дұрыс жабылмаған болса, тамақ жақсылап піспейді.*

## Құралды пайдалану

Бумен пісіргіштің екі бумен әзірлеу режимі бар:

- 1 Бумен пісіргішті тез іске қосуға мүмкіндік беретін қол режимі.
- 2 Бағдарлама режимі:
  - Тамақ бағдарламасы: әр табақ үшін толық тамақты әр түрлі әзірлеу уақыттарымен әзірлеу.
  - Алдын ала орнатылған түймелер бар басты бағдарлама: тамақты алдын ала орнатылған уақыттармен және температуралармен әзірлеу.

Бұл режимдерді пайдалану әдісі туралы қосымша ақпаратты төмендегі бөлек бөлімдерден қараңыз.

## Жалпы процедура

Келесі қадамдар — бүкіл үш бумен әзірлеу режиміне қолданылатын жалпы қадамдар.

**1** Штепсельдік ұшты қабырға розеткасына қосыңыз.

► Қосу/өшіру түймесіндегі шам қосылады және әдепкі әзірлеу уақыты (20 минут) дисплейде пайда болады (Сурет 14).

**2** Екі бумен әзірлеу режимдерінің біреуін таңдап, қажет қадамдарды орындаңыз (әр түрлі бумен әзірлеу режимдерінің бөлімдерін төменнен қараңыз).

*Ескертпе Екі бумен әзірлеу режимін бір уақытта пайдалана алмайсыз. Сондай-ақ, тамақ бағдарламасын және басты бағдарламаны бір уақытта пайдалана алмайсыз.*

Ескертпе Көп мөлшерде тамақ пісірген кезде, тамақ пісіру уақытының жартысы өткенде, ұзын сапты ас үй құралымен тамақты араластырыңыз. Пешке арналған қолғап кийіңіз.

Ескертпе Бумен әзірлеу процесінің бірінші 5 минутында турбо шамы жанады. Бұл тез қызу үшін бумен пісіргіштің қосымша қуатты пайдаланатынын көрсетеді.

- 3 Бумен әзірлеу процесі аяқталғанда, құрал 5 рет сигнал береді, содан кейін жылы күйінде сақтау режиміне автоматты түрде ауысады («Жылы күйінде сақтау режимі» бөлімін қараңыз).
- 4 Пайдаланудан кейін қақпақты жайлап алыңыз.

Қақпағын ашқанда, құралдан ыстық бу шығады. Одан абай болыңыз.

Ескертпе Күйіп қалмас үшін қақпақты алғанда қолғап киіңіз. Қақпақты баяу және өзіңізден ары ұстап алыңыз. Жиналған суды қақпақтан бумен әзірлеу табағына ағызыңыз.

Ескертпе Тамақты бумен әзірлеу табақтарынан алу үшін ұзын сапты ас үй құралдарын пайдаланыңыз.

- 5 Бумен әзірлеу табағын шығарғанда, ондағы жиналған суды астындағы ыдысқа немесе тамшы науасына ағызыңыз.
- 6 Штепсельдік ұшты қабырғадағы розеткадан ажыратып, тамшы науасын алмас бұрын, бумен пісіргішті толық суытып алыңыз.
- 7 Әр пайдаланғаннан кейін негізді артқа қисайтып, суды негіздің артынан төгу арқылы су ыдысын босатыңыз (Сурет 3).

Тамшы науасын алғанда және су ыдысын босатқанда сақ болыңыз, себебі құралдың басқа бөліктері суып қалса да, екеуіндегі су әлі де ыстық болуы мүмкін.

Ескертпе Бумен әзірлеу кезінде су ағып кетсе, «су ыдысы бос» шамы жанып, су ыдысын толтыру керектігін көрсетеді (Сурет 15).

Ескертпе Қосымша тамақты бумен әзірлеу керек болса және қосымша су керек болса, су ыдысын толтыру үшін су толтыру шүмегі арқылы шағын су көлемін құюға болады.

Ескертпе 2 минут бойы пайдаланылмаса, құрал автоматты түрде күту режиміне өтеді. Басқару тақтасын қайтадан іске қосу үшін бастау/тоқтату түймесін басыңыз.

### Қол режимі

Бұл режимді бумен пісіргішті тез іске қосу үшін пайдаланыңыз.

- 1 Қажет бумен әзірлеу уақытын таңдау үшін таймердің жоғары немесе төмен түймесін басыңыз (Сурет 16).
- 2 Бумен әзірлеу процесін бастау үшін бастау/тоқтату түймесін басыңыз (Сурет 17).
  - Бумен әзірлеу процесі басталады. Бастау/тоқтату шамы және турбо шамы баяу жыпылықтайды және таймер орнатылған бумен әзірлеу уақытын кері санайды (Сурет 18).
  - Көрсетілген бумен әзірлеу уақыты өткенде, құрал сигнал береді және жылы күйінде сақтау режиміне ауысады. «Жылы күйінде сақтау» шамы жанады (Сурет 19).

### Бағдарлама режимі: тамақ бағдарламасы

Бұл бағдарламаны толық тамақты әр бумен әзірлеу табағы үшін әр түрлі уақытпен әзірлеу үшін пайдаланыңыз. Құрал ең ұзақ әзірлеу уақыты бар бумен әзірлеу табағындағы тамақты бумен пісіруді автоматты түрде бастайды және қысқарақ әзірлеу уақыты бар бумен әзірлеу табағын немесе бумен әзірлеу табақтарын қою керек кезде сигнал береді. Соңғы бумен әзірлеу табағының әзірлеу уақыты ең төмен болады.

Ескертпе Бүкіл үш бумен әзірлеу табағын пайдаланбастан тамақ әзірлеу керек болса, таймерді тек пайдаланатын бумен әзірлеу табақтары үшін орнатыңыз.

- 1** Тамақ бағдарламасы түймесін басыңыз. (Сурет 20)
  - ▶ Тамақ бағдарламасы түймесіндегі шам жанып тұрады да, үш бұмен әзірлеу табағының түймелері жанады (Сурет 21).
- 2** Бұмен әзірлеу табақтарының біреуін таңдау үшін 1, 2 немесе 3 бұмен әзірлеу табағының түймесін басыңыз. (Сурет 22)
  - ▶ Сәйкес шам жыпылықтай бастайды.
- 3** Таймердің жоғары және төмен түймелерін басып, таңдалған бұмен әзірлеу табағы үшін қажет әзірлеу уақытын орнатыңыз. (Сурет 23)
- 4** Растау үшін уақытты орнатып жатқан бұмен әзірлеу табағының түймесін қайтадан басыңыз. (Сурет 24)
  - ▶ Бұмен әзірлеу табағының түймесінің астындағы нүкте қосылып, уақыттың орнатылғанын көрсетеді.
- 5** 2 - 4 қадамдарды пайдалану керек бүкіл бұмен әзірлеу табақтары үшін уақытты орнатқанша қайталаңыз.
- 6** Ингредиенттерді бұмен әзірлеу табақтарына салыңыз. Бүкіл үш бұмен әзірлеу табақтарын пайдаланғанда, әзірлеу уақыты ең ұзақ тамақты ең кіші бұмен әзірлеу табағына (1), екінші ең ұзақ әзірлеу уақыты бар тамақты орташа бұмен әзірлеу табағына (2) және ең қысқа әзірлеу уақыты бар тамақты ең үлкен бұмен әзірлеу табағына (3) салыңыз.
- 7** Бұмен пісіргіш негізіне ең ұзақ әзірлеу уақыты бар бұмен әзірлеу табағын қойыңыз.
- 8** Бастау/тоқтату түймесін басыңыз (Сурет 17).
  - ▶ Бұмен әзірлеу табағында ең ұзақ әзірлеу уақыты бар бұмен әзірлеу процесі басталады. Бастау/тоқтату шамы баяу жыпылықтайды және таймер бұмен әзірлеу уақытын кері санайды.
  - ▶ Біраз уақыттан кейін құрал сигнал береді және келесі бұмен әзірлеу табағын қою керектігін көрсететін екінші ең ұзақ әзірлеу уақыты бар бұмен әзірлеу табағының шамы тез жыпылықтайды (Сурет 25).
- 9** Екінші ең ұзақ әзірлеу уақыты бар бұмен әзірлеу табағын бұмен пісіргіште әлдеқашан тұрған бұмен әзірлеу табағының жоғарғы жағына қойып, жыпылықтап тұрған бұмен әзірлеу табағының түймесін немесе бастау/тоқтату түймесін басыңыз.
- 10** Бұмен пісіргіш бұмен пісіру процесін жалғастырады.
  - ▶ Бастау/тоқтату шамы баяу жыпылықтайды және таймер бұмен пісіру уақытын кері санайды.
  - ▶ Біраз уақыттан кейін құрал сигнал береді де, осы бұмен әзірлеу табағын қою керектігін көрсететін ең қысқа әзірлеу уақыты бар бұмен әзірлеу табағының шамы жыпылықтайды.
- 11** Ең қысқа әзірлеу уақыты бар бұмен әзірлеу табағын қалған бұмен әзірлеу табақтарының жоғарғы жағына қойып, жыпылықтап тұрған бұмен әзірлеу табағының түймесін немесе бастау/тоқтату түймесін басыңыз.
- 12** Бұмен пісіргіш бұмен пісіру процесін жалғастырады.
  - ▶ Бастау/тоқтату шамы баяу жыпылықтайды және таймер бұмен пісіру уақытын кері санайды.
  - ▶ Бұмен пісіру уақыты аяқталғанда құрал сигнал береді де, жылы күйінде сақтау режиміне ауысады. «Жылы күйінде сақтау» шамы және бастау/тоқтату шамы баяу жыпылықтайды.

---

### **Бағдарлама режимі: басты бағдарлама**

Бұл режимді алдын ала анықталған әзірлеу уақыттарымен және температуралармен арнайы ингредиенттерді әзірлеу үшін пайдаланыңыз.

*Ескертпе* Басты бағдарламаны тамшы науасында ең төменгі бұға пісіру табағы қойылған күйде ғана пайдалана аласыз.

*Ескертпе* Басты бағдарламаның алдын ала орнатылған түймелерінің дайындау уақыты қол режимінен ұзағырақ болады. Бұның себебі — оның әзірлеу температуралары ең жақсы әзірлеу нәтижесін алу үшін 100°С-тан азғап төмен болатындығында.

- 1** Басты бағдарлама түймесін басыңыз (Сурет 26).
- 2** Басты бағдарлама түймесіндегі жарық қосылады және төрт алдын ала орнатылған түйме жанады (Сурет 27).
- 2** Төрт алдын ала орнатылған түймелердің біреуін басыңыз.
  - Балықты әзірлеу үшін балық түймесін басыңыз (Сурет 28).
  - Картопты әзірлеу үшін картоп түймесін басыңыз (Сурет 29).
  - Күрішті әзірлеу үшін күріш түймесін басыңыз (Сурет 30).
  - Көкөністерді әзірлеу үшін көкөніс түймесін басыңыз (Сурет 31).
- 3** Қажет болса, бумен әзірлеу табағындағы ингредиенттердің көлемі мен өлшеміне байланысты әзірлеу уақытын таймердің жоғары немесе төмен түймесімен реттей аласыз.
- 4** Бастау/тоқтату түймесін басыңыз.
  - Д** Бумен пісіру процесі басталады және бастау/тоқтату шамы баяу жыпылықтайды. Дисплей таймердің кері санағын және таңдалған алдын ала орнатылған түймесінің әзірлеу температурасын ауыстырып көрсетіп тұрады.
  - Д** Бумен пісіру уақыты аяқталғанда құрал сигнал береді де, жылы күйінде сақтау режиміне ауысады. «Жылы күйінде сақтау» шамы жанып тұрады.

### **Жылы сақтау режимі**

Бумен пісіруден кейін бумен пісіргіш жылы күйінде сақтау режиміне ауысады және «жылы күйінде сақтау» шамы жанып тұрады.

- Жылы күйінде сақтау режимі тамақты 20 минут бойы жылы сақтайды.
- Тамақты 20 минуттан артық жылы күйінде сақтау үшін таймердің жоғары және төмен түймелерін басып, жылы күйінде сақтау уақытын реттеңіз.
  - Егер қосылып тұрған жылы күйінде сақтау режимін ажырату керек болса, бастау/тоқтату түймесін басыңыз.

### **Тазалау және техникалық қызмет көрсету**

Құралды тазалағанда, қыратын шүберектерді, қырғыш тазалау құралдарын, жанармай немесе ацетон сияқты сұйықтықтарды қолданбаңыз.

- 1** Қуат сымын қабырғадағы розеткадан ажыратып, құралды суытыңыз.
  - 2** Негізгі бөліктің сыртын дымқыл шүберекпен сүртіңіз.
- Негізгі бөлікті суға батыруға немесе оны ағынды сумен шаюға болмайды.
- 3** Су ыдысын алдымен біраз ыдыс жуу сұйықтығы қосылған жылы суға малынған шүберекпен, одан кейін таза дымқыл шүберекпен сүртіңіз.
  - 4** Қақпақты біраз ыдыс жуу сұйықтығы қосылған жылы сумен жуыңыз.

Қақпақты ыдыс жуғышта жууға болмайды.

- 5** Бумен әзірлеу табақтарынан алынбалы ыдыс түптерін алыңыз. Бумен әзірлеу табақтарын, алынбалы ыдыс түптерін, дәмдендіргішті, тамшы науасын және сорпа ыдысын (тек HD9190 үлгісінде) қолмен біраз жуу сұйықтығы қосылған суда тазалаңыз. Сондай-ақ, бұл бөліктерді қысқа айналым мен төмен температураны пайдаланып ыдыс жуғыш машинамен тазалауға болады.

Қайта-қайта ыдыс жуғыш машинада жуылатын болса, бумен әзірлеу табақтарының түсі сәл оңуы мүмкін.

## Қаспақты кетіру

Су ыдысында қақ жиналса, құралды қақтан тазарту керек. Жақсы жұмыс істеуі үшін, бұмен пісіргішті қақтан тұрақты тазартып тұру керек.

**1** Су ыдысын ақ сірке суымен (8% сірке қышқылы) МАХ («ЕҢ ЖОҒ.») көрсеткішіне дейін толтырыңыз.

Басқа қақтан тазалау сұйықтықтарын қолдануға болмайды.

**2** Тамшы науасын және шағын бұмен әзірлеу табағын (1) негізгі бөлікке дұрыстап орнатыңыз (Сурет 32).

**3** Шағын бұмен әзірлеу табағын қақпақпен жабыңыз (Сурет 33).

**4** Штепсельдік ұшты қабырға розеткасына қосыңыз.

**5** Басқару тақтасын іске қосу үшін бастау/тоқтату түймесін басыңыз.

**6** Бастау/тоқтату түймесін басып, құралды 20 минут бойы жұмыс істетіңіз (Сурет 17).

Сірке суы негізгі бөліктің шетінен тасып қайнап кетсе, құралды розеткадан ажыратып, сірке суын азайтыңыз.

**7** Құрал сигнал бергенде, құралды розеткадан ажыратыңыз да, сіркені толығымен суытыңыз. Содан кейін су ыдысын босатыңыз.

**8** Су ыдысын суық сумен бірнеше рет шайып жіберіңіз.

*Ескертпе Егер су ыдысында әлі де қақ бар болса, осы процедураны тағы қайталаңыз.*

## Сақтау

**1** Құралды сақтап қояр алдында оның барлық бөліктерінің таза және құрғақ екенін тексеріңіз. («Тазалау және техникалық қызмет көрсету» тарауын қараңыз).

**2** Ток сымын жинап қою үшін, оны құрал тірегінің орағышына орап қойыңыз (Сурет 34).

**3** Тамшы науасын негізгі бөлікке орнатыңыз (Сурет 35).

**4** Алынбалы ыдыс түптерінің бұмен әзірлеу табақтарына салынғанын тексеріңіз.

**5** Үлкен бұмен әзірлеу табағын (3) тамшы науасына қойыңыз. Орташа бұмен әзірлеу табағын (2) үлкен бұмен әзірлеу табағына (3) қойыңыз. Шағын бұмен әзірлеу табағын (1) орташа бұмен әзірлеу табағына (2) қойыңыз (Сурет 36).

**6** Тек HD9190 үлгісінде: сорпа ыдысын шағын бұмен әзірлеу табағына (1) қойыңыз.

**7** Сорпа ыдысын (тек HD9190 үлгісінде) немесе шағын бұмен әзірлеу табағын қақпақпен жабыңыз (Сурет 37).

## Кепілдік және қызмет көрсету

Қызмет көрсету жұмыстары немесе ақпарат қажет болса немесе проблема туындаса, Philips компаниясының **www.philips.com/support** веб-торабына кіріңіз немесе еліңіздері Philips тұтынушыларды қолдау орталығына хабарласыңыз. Телефон нөмірін дүниежүзілік кепілдік кітапшасынан табуға болады. Еліңізде тұтынушыларды қолдау орталығы болмаған жағдайда, жергілікті Philips дилеріне хабарласыңыз.

## Қоршаған орта

- Қызмет мерзімі аяқталғанда, құралды әдеттегі қоқыспен бірге тастамай, ресми жинау орнына тапсырыңыз. Осылайша, сіз қоршаған ортаны сақтауға көмектесесіз (Сурет 38).



**Ақаулықтарды жою**

Бұл тарауда құралды қолданғанда жиі кездесетін қиындықтар сипатталған. Мәселе төменде берілген ақпарат көмегімен шешілмесе, еліңіздегі тұтынушыларды қолдау орталығына хабарласыңыз.

Проблема	Ықтимал себебі	Шешімі
Бумен пісіргіш істемей тұр.	Бумен пісіргіш розеткаға жалғанбаған болуы мүмкін.	Штепсельдік ұшты қабырға розеткасына қосыңыз.
	Су ыдысында су жоқ шығар.	Су ыдысына су құйыңыз.
	Бастау/тоқтату түймесі әлі басылған жоқ.	Бастау/тоқтату түймесін басыңыз.
Тамақтың барлығы піскен жоқ.	Бумен пісіргіштегі кейбір тамақтардың бөліктері үлкенірек болуы мүмкін және/немесе ұзағырақ пісіруді қажет етеді.	+ түймесін қолданып, ұзағырақ уақыт орнатыңыз.  Тамақтың үлкен бөліктерін және ұзақ пісірілетін тамақтарды шағын бумен әзірлеу табағына (1) салып, пісіруді басқа табақтарды қоймастан біраз уақыт бұрын бастаңыз.
	Бумен әзірлеу табағына тым көп тамақ салып жіберген боларсыз.	Бумен әзірлеу табақтарына тым көп тамақ салуға болмайды. Тамақты кішірек бөліктерге бөліп, ең кішкентай бөліктерін жоғарғы жаққа салыңыз.  Тамақ бөліктерінің арасында біраз бос орын қалдырыңыз және тамақты табақтың түбінде біркелкі жайыңыз.
Құрал дұрыс қызбайды.	Құрал жүйелі түрде қақтан тазаланбаған.	Құралды қақтан тазалаңыз. «Тазалау және техникалық қызмет көрсету» тармағын қараңыз.
Бумен пісіру кезінде су ыдысынан су шашырайды.	Су ыдысына тым көп су құйғансыз.	Су ыдысынан артық суды төгіңіз. Судың МАХ («Ең ЖОҒ.») көрсеткішінен аспайтынын тексеріңіз.
Тіпті су ыдысында су жеткілікті болса да, «су ыдысы бос» шамы жанады.	Қыздыру элементінде қақ тым көп.	Су ыдысын қақтан тазалаңыз. «Тазалау және техникалық қызмет көрсету» тарауының «Қақтан тазалау» бөлімін қараңыз.

Проблема	Ықтимал себебі	Шешімі
Дәмдендіргіштің әсері шектеулі немесе жоқ.	Дәмдендіргішке жеткілікті шөп салмадыңыз.	Дәмдендіргішке қосымша шөп салыңыз.
	Дәмдендіргішке дұрыс шөптер салмадыңыз.	Дәмдендіргішке қатты хош иісі бар шөптерді салыңыз. «Тамақ кестесі және бумен пісіру кеңестері» тарауындағы бумен пісіру кестесін қараңыз.
	Тамақты әзірлегеннен ұзақ уақыттан кейін жедіңіз.	Тамақты әзірлегеннен кейін бірден жеңіз.
Су ыдысындағы немесе тамшы науасындағы суда көбік бар.	Көбік су ыдысындағы суда протеиндер қалғанда немесе тазалау заттарының қалдықтары су ыдысында қалғанда пайда болады.	Су ыдысын тазалаңыз. «Тазалау және техникалық қызмет көрсету» тарауын қараңыз..

### Тамақ кестесі және бумен пісіру кеңестері

- Рецепт алу үшін, рецепт кітапшасын қараңыз немесе [www.philips.com/kitchen](http://www.philips.com/kitchen) веб-сайтына өтіңіз.
- Төмендегі кестеде көрсетілген бумен пісіру уақыты тек көрсеткіш ретінде ұсынылады. Бумен пісіру уақыты табақтағы тамақ кесектерінің мөлшеріне, тамақ арасындағы бос орынға, табақтағы тамақ мөлшеріне, тамақтың балғындығына және адамның жеке талғамына байланысты болады.

### Тамақты бумен пісіру кестесі

Бумен пісірілетін тамақ	Мөлшері	Бумен пісіру уақыты (мин.)	Дәмдендіргіш үшін ұсынылған шөптер/дәмдеуіштер
Қояншөп	500 г	15-20	Жебіршөп, насыбайгүл, лимон
Жас жүгері	200 г	5-8	Сібір жуасы, чили, паприка
Жасыл бұршақ	500 г	15-20	Ақжелкен, лимон, сарымсақ
Брокколи	400 г	20	Сарымсақ, үгітілген қызыл чили, эстрагон жусаны
Сәбіз	500 г	20	Ақжелкен, құрғақ қыша, сібір пиязы
Түсті орамжапырақ жапырақтары	400 г	20	Гүлшетен, насыбайгүл, эстрагон жусаны
Балдыркөк (төрт бұрышты етіп туралған)	300 г	15-20	Жебіршөп, ақ бұрыш, чили бұрышы
Тауық саны	1 дана	25	Қара бұрыш, лимон, паприка
Жүгері собығы	500 г	30-40	Ақжелкен, сарымсақ, сібір пиязы
Кәді (жұқа тіліктері)	500 г	10	Аскөк, жалбыз, гүлшетен

Бумен пісіретін тамақ	Мөлшері	Бумен пісіру уақыты (мин.)	Дәмдендіргіш үшін ұсынылған шөптер/дәмдеуіштер
Кускус	150 г + 250 мл су	10-15	Жебіршөп, кориандр, қалампыр
Жұмыртқа	6 дана	12-15	-
Жеміс жидек	500 г / 4 дана	10-15	Даршын, лимон, қалампыр
Бұршақтар (мұздатылған)	400 г	20-25	Гүлшетен, жебіршөп, ақжелкен
Картоп	400 г	25-30	Ақжелкен, сібір пиязы, сарымсақ
Асшаяндар	200 г	5	Карри ұнтағы, запыран, лимон
Пуддингтер	4 ыдыс	20	Даршын, қалампыр, ваниль
Күріш	150 г + 300 мл су	35	Пандан, ақжелкен, жебіршөп
	250 г + 500 мл су	35	Пандан, ақжелкен, жебіршөп
Арқан балық	450 гр	12-15 мин.	Аскөк, ақжелкен, насыбайгүл
Ақ балық	450 гр	10-15	Кептірілген қыша, қалампыр бұрышы, жұпаргүл

## Алдын ала орнатылған режимдердің уақыттары (Сурет 39)

### Тамақты бумен пісіруге арналған кеңестер

#### Дәмдендіргіш

- Дәмдендіргішке жебіршөп, кориандр, насыбайгүл, аскөк, карри және эстрагон жусаны сияқты шөптерді және дәмдеуіштерді салуға болады. Дәмді арттыру үшін, тұз қоспастан, бұларды сарымсақпен, тминмен немесе ақжелкекпен араластыруға болады. Кептірілген шөптерді немесе дәмдеуіштерді пайдаланғанда 0,5-3 шай қасық салуды ұсынамыз. Балғын шөп және дәмдеуіштер қолданылғанда көбірек салыңыз.
- Дәмдендіргіш тікелей тамшы науасында орнатылатын ең төменгі табақта тамақ әзірленгенде ең тиімді болады.
- Дәмдендіргішке салынатын шөптер, дәмдеуіштер мен сұйықтықтар туралы толық ақпаратты жоғарыдағы тамақты бумен пісіру кестесінен қарауға болады.
- Тамаққа біраз май қосу дәмдендіргіш әсерін жақсартады және тамаққа жақсырақ дәм береді.
- Ең жақсы нәтиже алу үшін шөптерді майда бөліктерге бөліңіз және дәмдендіргішті біркелкі толтырыңыз.
- Ең жақсы дәм алу үшін тамақты әзірлегеннен кейін бірден жеуді ұсынамыз.
- Дәмдендіргішке сұйықтықтарды құймаңыз.

#### Жемістер мен көкөністер

- Түсті орамжапырақ, брокколи және орамжапырақтың қалың сабақтарын кесіп тастаңыз.
- Жапырақты, жасыл түсті көкөністерді ең қысқа уақыт бумен пісіріңіз, себебі олар түстерін жеңіл жоғалтады.
- Тоңазытылған көкөністерді бумен пісірер алдында ерітудің керегі жоқ.

**Ет, тауық, теңіз тағамдары, және жұмыртқа.**

- Нәзік, сәл майы бар еттер бұмен пісіргенге өте қолайлы.
- Етті жақсылап жуып алып, сөлі шықпауы үшін сүртіп құрғатыңыз.
- Сұйықтығы ағып кететіндіктен, етті, құс етін, балықты немесе жұмыртқаларды басқа тамақ түрлерінің астына қойыңыз.
- Жұмыртқаны бұмен пісіргішке салар алдында тесіп алыңыз.
- Тоңазытылған етті, тауықты немесе теңіз тағамдарын бұмен пісіруге болмайды. Бұмен пісірмес бұрын, міндетті түрде ерітіп алыңыз.

**Тәтті тағамдар**

- Тәтті тағамдардың дәмін күшейту үшін, қант қосудың орнына біраз даршын қосыңыз.

**Жалпы кеңестер**

- Тек HD9190 үлгісінде: күріш пісіру үшін күріш пен суды сорпа ыдысына салу керек. Мөлшері туралы ақпаратты жоғарыдағы тамақты бұмен пісіру кестесінен қараңыз.
- Күріштің алдын ала орнатылған түймесінің көмегімен күрішті әзірлеуді аяқтағанда, құралды өшіріңіз, күрішті араластырыңыз және қақпағы жабылған ыдыста 5 минутқа қалдырыңыз. Бұл одан да жақсырақ нәтиже береді.
- Тек HD9190 үлгісінде: сорпа әзірлеуден басқа, сорпа ыдысын суостағы көкөністерді әзірлеу, балықты әзірлеу, маринадталған тамақты әзірлеу және пудинг, сорпа және күріш жасау үшін пайдалануға да болады.
- Тамақ бөліктерінің арасында біраз бос орын қалдырыңыз және тамақты табақтың түбіне біркелкі жайыңыз.
- Бұмен әзірлеу табағы тым қатты толып тұрса, пісіру уақытының жартысы өткенде, тамақты араластырыңыз.
- Аз мөлшердегі тамақ көп мөлшердегі тамаққа қарағанда аз уақытта піседі.
- Бір бұмен әзірлеу табағын қолданған жағдайда, 2 немесе 3 бұмен әзірлеу табағын қолданған кездегіге қарағанда тамақ тезірек дайын болады.
- Бірнеше бұмен әзірлеу табағы қолданылған жағдайда, 5-10 минут артық пісіріңіз.
- Үстіңгі бұмен әзірлеу табақтарындағы тамаққа қарағанда, шағын бұмен әзірлеу табағындағы (1) тамақ тезірек піседі.
- Жемес бұрын тамақтың дайын болғанын тексеріңіз. Бұл шошқа еті, майдаланған сиыр еті және тауық еті үшін әсіресе маңызды.
- Бұмен пісіру барысында, тамақ немесе тамақ салынған бұмен әзірлеу табақтарын қосуға болады. Ингредиентті пісіруге аздау уақыт кететін болса, кейінірек қосыңыз.
- Құрал жылы сақтау режиміне өткен кезде, пісіру процесі шамалы уақыт жалғасады. Егер тамақ жақсылап піскен болса, пісіру процесі аяқталып, құрал жылы сақтау режиміне өткен соң, тамақты пісіргіштен шығарып алыңыз.
- Егер тамақ әлі піспеген болса, ұзағырақ бұмен пісіру уақытын орнатыңыз. Бұл жағдайда су ыдысына су қосу керек болуы мүмкін.
- Тек HD9190 үлгісінде: бұмен пісіргішті тез дайындалатын сорпаларды қыздыру үшін де пайдалануға болады. Сорпаны сорпа ыдысына құйып, балық пісіруге арналған режимді қосыңыз. 250 мл сорпаны қыздыруға шамамен 10 минуттай уақыт кетеді.

Бу шығарушы

Өндіруші: "Филипс Консьюмер Лайфстайл Б.В.",  
Туссендиенп 4, 9206 АД, Драхтен, Нидерланды

Ресей және Кедендік Одақ территориясына импорттаушы:

"Филипс" ЖШҚ, Ресей Федерациясы, 123022 Мәскеу қаласы,

Сергей Макеев көшесі, 13-үй, тел. +7 495 961-1111

HD9190, HD9189: 2000W, 220-240V, 50-60Hz

Тұрмыстық қажеттіліктерге арналған

## Ivadas

Sveikiname įsigijus pirkinį ir sveiki atvykę į „Philips“! Kad galėtumėte naudotis visu „Philips“ palaikymu, savo gaminių registruokite adresu [www.philips.com/welcome](http://www.philips.com/welcome).

## Bendrasis aprašymas (Pav. 1)

- 1 Valdymo skydelis su ekranu ir mygtukais
  - a Paleidimo / stabdymo ir pauzės mygtukas
  - b Laikmačio mygtukas aukštyn ir žemyn
  - c Tuščio vandens bakelio lemputė
  - d Garų indo mygtukai (1, 2, 3)
  - e Patiekalo ruošimo programos mygtukas
  - f Virėjo programos mygtukas
  - g Iš anksto nustatyti virėjo programos mygtukai (žuvis, bulvės, ryžiai, žalios daržovės)
  - h Laiko indikatorius
  - i Šilumos palaikymo lemputė
  - j „Turbo“ lemputė
- 2 Pagrindas su vandens bakeliu
- 3 Temperatūros jutiklis
- 4 Nuvarvėjimo padėklas
- 5 Žolelių / prieskonių sietelis
- 6 Mažas garinimo indas (1)
- 7 Vidutinio dydžio garinimo indas (2)
- 8 Didelis garinimo indas (3)
- 9 Sriubos indas (tik HD9190)
- 10 Dangtis
- 11 Garų išėjimo angos
- 12 Dangtis su rankena
- 13 Išimamas dugnas
- 14 Pakartotino vandens pripildymo snapelis
- 15 Laido saugojimo įtaisas

*Pastaba. Garinimo indai sunumeruoti nuo 1 iki 3. Jų numerius matysite ant rankenų. Galite dėti bet kurį didesnę garinimo indą ant mažesnio, tačiau geriausia, jei juos dėsime vieną ant kito logiška didėjimo tvarka: pirmiausia – mažiausią indą (1), tada – vidutinio dydžio (2) ir didžiausią indą (3).*

*Pastaba HD9190: Sriubos indą geriausia naudoti kartu su dideliu indu (3).*

*Pastaba. Po garinimo indais visada padėkite nuvarvėjimo padėklą ir naudokite tik tuos garinimo indus, kuriuose yra maisto.*

## Svarbu

Prieš pradėdami naudoti prietaisą atidžiai perskaitykite šį vartotojo vadovą ir saugokite jį, nes jo gali prireikti ateityje.

### Pavojus

- Niekada nemerkite pagrindo į vandenį ir neskalaukite jo po tekančiu vandeniu.

### Ispėjimas

- Prieš įjungdami prietaisą, patikrinkite, ar ant prietaiso nurodyta įtampa atitinka vietinio elektros tinklo įtampą.

- Prietaisąjunkite tik į įžemintą sieninį el. lizdą. Visada patikrinkite, ar kištukas tinkamai įkištas į sieninį el. lizdą.
- Šis prietaisas negali būti naudojamas su išoriniu laikmačiu ar atskira nuotolinio valdymo sistema.
- Nenaudokite prietaiso, jei pažeistas kištukas, maitinimo laidas arba pats prietaisas.
- Jei pažeistas maitinimo laidas, jį turi pakeisti „Philips“ darbuotojai, „Philips“ įgaliotasis techninės priežiūros centras arba kiti panašios kvalifikacijos specialistai, kitaip kyla pavojus.
- Šis prietaisas neskirtas naudoti asmenims (įskaitant vaikus) su ribotomis fizinėmis, sensorinėmis ar psichinėmis galimybėmis arba asmenims, neturintiems pakankamai patirties ir žinių, nebent juos prižiūri arba naudotis prietaisu apmoko už jų saugą atsakingas asmuo.
- Prižiūrėkite vaikus, kad jie nežaistų su prietaisu.
- Maitinimo laidą laikykite vaikams nepasiekiamoje vietoje. Nepalikite jo kabėti nusvirusio nuo stalo ar pagrindo, ant kurio prietaisas padėtas, krašto.
- Saugokite maitinimo laidą nuo karštų paviršių.
- Visada visiškai išvyniokite maitinimo laidą, susuktą ant pagrinde esančios ritės, prieš įjungdami prietaisą.
- Niekada negarininkite šaldytos mėsos, paukštienos ar jūros gėrybių. Prieš garindami šiuos produktus visiškai atitirpinkite juos.
- Nenaudokite garintuvo be nuvarvėjimo padėklo, kitaip iš prietaiso gali ištekėti karštas vanduo.
- Naudokite tik garinimo indus ir sriubos indą (tik HD9190) su originaliu pagrindu.

### **Dėmesio**

- Šis prietaisas skirtas naudoti tik namų ūkyje. Netinka naudoti tokiose vietose, kaip parduotuvių personalo virtuvėse, biuruose, ūkiuose ar kitose darbo aplinkose. Gaminys nėra skirtas viešbučių, motelių, nakvynės namų, kuriuose pateikiami pusryčiai, bei kitų gyvenamojo tipo aplinkų klientams.
- Jei prietaisą naudosite netinkamai ar profesionaliems arba pusiau profesionaliems tikslams, arba jei jį naudosite ne pagal vartotojo vadovo instrukcijas, garantija taps negaliojančia ir „Philips“ jokiais aplinkybėmis nebus atsakinga už kilusią žalą.
- Niekada nenaudokite jokių kitų gamintojų arba „Philips“ specialiai nerekomenduojamų priedų arba dalių. Jei naudosite tokius priedus arba dalis, nebegalios jūsų garantija.

- Nelaikykite prietaiso pagrindo esant aukštai temperatūrai, karštomis dujoms, garams arba drėgnam karščiui, kuriuos sukelia ne garintuvas, o kiti šaltiniai. Nedėkite garintuvo ant arba šalia veikiančios, arba vis dar karštos krosnies ar viryklės.
- Nedėkite veikiančio prietaiso šalia arba po daiktus, kurie gali sugesti dėl garų, pvz., sienos ir spintos.
- Nenaudokite prietaiso patalpoje esant sprogstamiems ir / arba degiems garams.
- Prietaisą pastatykite ant stabilaus, horizontalaus ir lygaus paviršiaus taip, kad aplink jį būtų 10 cm laisvos vietos tam, kad jis neperkaistų.
- Visada dėkite dugnus į garinimo indus nuo viršaus. Norėdami įdėti dugnus tinkamai, pirmiausia sumažinkite vieną indo šoną, paskui – kitą, kol dugnas užsifikuos (pasigirs spragtelėjimas). Įsitikinkite, kad iškyša dugne nukreipta aukštyn. (Pav. 2)
- Saugokitės karštų garų, sklindančių iš garintuvo garinant, veikiant šilumos palaikymo režimui arba kai nuimate dangtį. Tikrindami maistą visada naudokite virtuvinius įrankius ilgomis rankenomis.
- Nekelkite prietaiso, kol jis veikia.
- Nelieskite karštų prietaiso paviršių. Jei jums reikia paimti prietaisą už karštų jo dalių, naudokite virtuvines pirštines.
- Nejudinkite prietaiso, kol jis veikia.
- Atsargiai toliau nuo savęs nuimkite dangtį. Norėdami išvengti nuovirų, leiskite susidariusiam skysčiui nulašėti nuo dangčio į garintuvą.
- Jei maistas karštas, visada laikykite už garinimo indo rankenėlių.
- Neišpilkite vandens iš vandens bakelio per pakartotinio vandens pripildymo snapelį. Jei norite ištuštinti vandens bakelį, pilkite vandenį, pakreipę pagrindo apatinę dalį atgal (Pav. 3).
- Prieš valydami visada atjunkite prietaisą nuo maitinimo tinklo ir palaukite, kol jis atvės.

### **Automatinis išsijungimas**

Prietaise įdiegta automatinio išsijungimo funkcija. Jei įjungę prietaisą per 2 min. nepaspausite mygtuko, prietaisas automatiškai išsijungs. Jis taip pat automatiškai išsijungia pasibaigus nustatytai garinimo (įskaitant šilumos palaikymo) trukmei.

### **Apsauga nuo visiško vandens išgaravimo**

Šiame maisto garintuve įdiegta apsauga nuo visiško vandens išgaravimo. Ji automatiškai išjungia kaitinimo elementą, kai vandens bakelis yra tuščias arba, kai naudojimo metu baigiasi vanduo. Pripilkite į vandens bakelį šalto vandens iki „MAX“ žymos, kad vėl galėtumėte naudotis prietaisu.

### **Elektromagnetiniai laukai (EML)**

Šis „Philips“ prietaisas atitinka visus elektromagnetinių laukų (EML) standartus. Tinkamai eksploatuojant prietaisą pagal šiame vartotojo vadove pateiktus nurodymus, remiantis dabartine mokslinė informacija, jį yra saugu naudoti.

**Prieš naudojant pirmą kartą**

- 1** Prieš naudodami prietaisą pirmą kartą, kruopščiai išplaukite dalis, kurios liečiasi su maistu (žr. skyrių „Valymas ir priežiūra“).
- 2** Vandens bakelio vidų nuvalykite drėgna šluoste.

**Paruošimas naudojimui**

- 1** Padėkite prietaisą ant stabilaus, horizontalaus ir lygaus paviršiaus.
  - 2** Visiškai išvyniokite maitinimo laidą, susuktą ant pagrinde esančios ritės, prieš įjungdami prietaisą.
  - 3** Pripilkite į vandens bakelį vandens iki MAX žymos (Pav. 4).
- D** Kai vandens bakelis yra pripildytas iki MAX žymos, garintuvus gali garinti apie 60 minučių.

Pildami į bakelį vandens, neviršykite „MAX“ žymos.

Vandens bakelį pripildykite tik vandens. Niekada nepilkite į vandens bakelį užpilų, aliejaus arba kitų skysčių.

- 4** Į pagrindo vandens bakelį įdėkite nuvarvėjimo padėklą (Pav. 5).

*Pastaba. Niekada nenaudokite prietaiso be nuvarvėjimo padėklo ir nepilkite į nuvarvėjimo padėklą vandens, užpilų, aliejaus arba kitų skysčių.*

- 5** Uždėkite žolelių / prieskonių sietelį ant nuvarvėjimo padėklo, jei norite papildomai pagardinti garinamą maistą. (Pav. 6)

- Įberkite į žolelių / prieskonių sietelį šviežių ir džiovintų žolelių.
- Informaciją apie minėtus žalumynus ir prieskonius skirtus įvairiems patiekalams, žr. garinamo maisto lentelėje, esančioje skyriuje „Maisto lentelė ir garinimo patarimai“.

- 6** Įdėkite garinamą maistą į vieną ar daugiau garinimo indų ir (arba) į sriubos indą (tik HD9190). (Pav. 7)

- Visada dėkite dugnus į garinimo indus nuo viršaus. Norėdami įdėti dugnus tinkamai, pirmiausia sumažinkite vieną indo šoną, paskui – kitą, kol dugnas užsifiksuos (pasigirs spragtelėjimas). Įsitinkinkite, kad iškyša dugne nukreipta aukštyn (Pav. 2).
- Nepridėkite per daug maisto į garinimo indus. Palikite šiek tiek vietos tarp maisto gabalėlių ir tolygiai paskirstykite maistą po indo dugną.
- Tik HD9189: jei norite ruošti ryžius, galite naudoti lengvą indą, kuris tilptų į garinimo indus. Įsitinkinkite, kad aplink indą yra vietos, kad garintuve tinkamai cirkuliuotų garai.
- Didesnius maisto gabalėlius ir maistą, kuriuos reikia ilgiau garinti, dėkite į apatinį garinimo indą (1).
- Kiaušinius dėkite į kiaušinių laikiklius, skirtus patogiai virti kiaušinius (Pav. 8).
- Norėdami garinti stambius maisto produktus (pvz., viščiukus, kukurūzų burbuoles), galite išimti dugnus iš vidutinio dydžio indo (2) bei didelio garinimo indo (3) – taip atsiras vienas didelis indas.

*Pastaba. Į garinimo indus galite dėti ne daugiau kaip 1 kg maisto.*

- 7** Uždėkite vieną ar daugiau garinimo indų ant nuvarvėjimo padėklo. Padėkite indus tinkamai ir įsitinkinkite, ar jie nekliba (Pav. 9).

- Jums nereikia naudoti visų 3 garinimo indų.
- Garinimo indai sunumeruoti nuo 1 iki 3. Jų numerius matysite ant rankenų. Galite dėti bet kurį didesnį garinimo indą ant mažesnio, tačiau geriausia, jei juos dėsime vieną ant kito logiška didėjimo tvarka: pirmiausia – mažiausią indą (1), tada – vidutinio dydžio (2) ir didžiausią indą (3). Visada padėkite po garinimo indais nuvarvėjimo padėklą ir naudokite tik garinimo indus su maistu (Pav. 10).
- Tik HD9190: sriubos indas skirtas sriubai, kitam skystam maistui ir žuviai ruošti. Kai norite naudoti šį indą, įdėkite jį į didelį garinimo indą (3) (Pav. 11).



- Tik HD9190: kai dugnas išimamas iš didelio garinimo indo (3), kad po juo atsirastų daugiau vietos vidutinio dydžio garinimo indui (2), vis dar galite uždėti sriubos indą ant viršaus ir ruošti žuvį, ryžius ar sriubą (Pav. 12).
- Kai dugnas išimamas iš vidutinio dydžio garinimo indo (2), kad po juo atsirastų daugiau vietos dideliame indui ir mažam garinimo indui (1), vis dar galite uždėti didelį garinimo indą (3) ant viršaus.

## 8 Uždėkite dangtį ant viršutinio garinimo indo (Pav. 13).

*Pastaba. Jei dangtis nėra tinkamai uždėtas ant garinimo indo arba visai neuždėtas, maistas nebus tinkamai garinamas.*

## Prietaiso naudojimas

Garintuve veikia du garinimo režimai:

- 1 Rankinis režimas tinkamas, jei norite greitai suaktyvinti garintuvą.
- 2 Programų režimas:
  - Patiekalo ruošimo programa naudojama norint paruošti bendrą patiekalą su skirtingomis kiekvieno garinimo indo ruošimo trukmėmis.
  - Virėjo programa su iš anksto nustatytais mygtukais skirta maistui ruošti iš anksto nustačius paruošimo trukmę ir temperatūrą.

Jei reikia daugiau informacijos, kaip naudotis šiais režimais, peržiūrėkite atskirus toliau pateiktus skyrius.

## Bendrosios instrukcijos

Toliau nurodyti veiksmai tinka trimis garinimo režimams.

- 1 Įkiškite į maitinimo lizdą kištuką.
  - ▶ Užsidega įjungimo / išjungimo mygtuko lemputė ir ekrane rodoma numatytoji garinimo trukmė (20 min.) (Pav. 14).
- 2 Pasirinkite vieną iš dviejų garinimo režimų ir atlikite nurodytus veiksmus (informacijos apie skirtingus garinimo režimus ieškokite toliau pateiktuose skyriuose).

*Pastaba. Tuo pačiu metu negalite naudoti abiejų garinimo režimų. Taip pat neįmanoma naudoti patiekalo ruošimo ir virėjo programų tuo pačiu metu.*

*Pastaba. Jei garinate didelius maisto kiekius, pamaišykite maistą virtuviniu įrankiu ilga rankena. Būtinai dėvėkite virtuvines pirštines.*

*Pastaba. Per pirmas 5 garinimo minutes užsidega „Turbo“ lemputė. Tai rodo, kad garintuvus naudoja papildomą galią, kad greitai išiltų.*

- 3 Pasibaigus garinimui prietaisas 5 kartus supypsi ir automatiškai persijungia į šilumos palaikymo režimą (žr. skyrių „Šilumos palaikymo režimas“).
- 4 Baigę naudoti atsargiai nuimkite dangtį.

Nuimdami dangtį, saugokitės karštų garų, sklindančių iš prietaiso.

*Pastaba. Norėdami nuimti dangtį, mūvėkite virtuvines pirštines, kad nenusidegintumėte. Lėtai ir laikydami toliau nuo savęs nuimkite dangtį. Palaukite, kol susidaręs skystis nulašės nuo dangčio į garinimo indą.*

*Pastaba. Naudokite ilgą rankenas turinčius virtuvės įrankius, jei norite išimti maistą iš garinimo indo.*

- 5 Išimdami garinimo indą, leiskite kondensatui nuo indo nuvarvėti į po juo esantį indą ar nuvarvėjimo padėklą.
- 6 Prieš išimdami nuvarvėjimo padėklą, ištraukite kištuką iš sieninio lizdo ir palaukite, kol garintuvus visiškai atvės.

**7** Po kiekvieno naudojimo išpilkite vandenį iš vandens bakelio, pakreipę pagrindo apatinę dalį atgal (Pav. 3).

Išimdami nuvarvėjimo padėklą ir išpildami vandenį iš vandens bakelio būkite atsargūs, nes juose esantis vanduo vis dar gali būti karštas, net jei kitos prietaiso dalys jau atvėso.

*Pastaba. Jei garinant bėga vanduo, užsidega tuščio vandens bakelio lemputė – taip parodoma, kad turite pripildyti vandens bakelį (Pav. 15).*

*Pastaba. Jei norite garinti daugiau maisto ir jums reikia daugiau vandens, per pakartotino vandens pripildymo snapelį galite papildyti vandens bakelį mažais vandens kiekiais.*

*Pastaba. Jei prietaisas nenaudojamas 2 minutes, automatiškai įsijungia budėjimo režimas. Jei norite dar kartą suaktyvinti valdymo skydelį, paspauskite paleidimo / stabdymo mygtuką.*

### Rankinis režimas

Naudokitės šiuo režimu, jeigu norite greitai suaktyvinti garintuvą.

**1** Spaudinėkite laikmačio mygtuką aukštyn arba žemyn ir pasirinkite reikiamą garinimo laiką (Pav. 16).

**2** Pradėkite garinti paspaudę paleidimo / stabdymo mygtuką (Pav. 17).

▶ Pradedama garinti. Paleidimo / stabdymo ir „turbo“ lemputės lėtai mirksi, o laikmatis skaičiuoja nustatytą garinimo trukmę (Pav. 18).

▶ Praėjus nustatytam garinimo laikui, prietaisas supypsi ir įsijungia šilumos palaikymo režimas. Užsidega šilumos palaikymo lemputė (Pav. 19).

### Programų režimas: patiekalo ruošimo programa

Naudokite šią programą, jei norite paruošti bendrą patiekalą su skirtingomis kiekvieno garinimo indo ruošimo trukmėmis. Prietaisas automatiškai pradeda garinti maistą garinimo inde, kuriam nustatyta ilgiausia ruošimo trukmė, ir pypsi – taip pranešama, kada uždėti garinimo indą ar indus su nustatyta trumpesne ruošimo trukme. Paskutiniam garinimo indui nustatyta trumpiausia ruošimo trukmė.

*Pastaba. Jeigu norite paruošti patiekalą nenaudodami visų trijų garinimo indų, nustatykite laikmatį tik tiems garinimo indams, kuriuos naudojate.*

**1** Paspauskite patiekalo ruošimo programos mygtuką. (Pav. 20)

▶ Užsidega patiekalo ruošimo programos lemputė ir trijų garinimo indų mygtukai (Pav. 21).

**2** Paspauskite 1, 2 ar 3 garinimo indo mygtuką ir pasirinkite vieną iš garinimo indų. (Pav. 22)

▶ Pradeda mirksėti atitinkama lemputė.

**3** Spaudinėkite laikmačio mygtuką aukštyn arba žemyn ir nustatykite reikiamą ruošimo laiką pasirinktam garinimo indui. (Pav. 23)

**4** Norėdami patvirtinti, dar kartą paspauskite garinimo indo mygtuką, kuriam nustatote trukmę. (Pav. 24)

▶ Po garinimo indo mygtuku esantis taškas užsidega – taip parodoma, kad laikas nustatytas.

**5** Pakartokite 2–4 veiksmus, kol nustatysite laiką visiems garinimo indams, kuriuos norite naudoti.

**6** Sudėkite produktus į garinimo indus. Kai naudojate visus tris garinimo indus, sudėkite produktus, kuriems paruošti reikės daugiausiai laiko, į mažiausią garinimo indą (1), produktus, kuriems paruošti reikės vidutinės trukmės, dėkite į vidutinio dydžio garinimo indą (2), o produktus, kuriems paruošti reikės mažiausiai laiko, dėkite į didžiausią garinimo indą (3).

**7** Ant garintuvo pagrindo uždėkite garinimo indą, kuriam nustatyta ilgiausia ruošimo trukmė.

- 8** Paspauskite paleidimo / stabdymo mygtuką (Pav. 17).
- ▶ Prasideda garinimas garinimo inde, kuriam nustatyta ilgiausia ruošimo trukmė. Paleidimo / stabdymo lemputė lėtai mirksi, o laikmatis skaičiuoja garinimo trukmę.
  - ▶ Po kurio laiko prietaisas pradeda pypsėti ir garinimo indo, kuriam nustatyta vidutinė ruošimo trukmė, lemputė greitai mirksi – taip parodoma, kad turite uždėti kitą garinimo indą (Pav. 25).
- 9** Uždėkite garinimo indą, kuriam nustatyta vidutinė ruošimo trukmė, ant jau pastatyto garinimo indo viršaus ir paspauskite mirksintį garinimo indo arba paleidimo / stabdymo mygtuką.
- 10** Garintuvus pradeda garinti.
- ▶ Paleidimo / stabdymo lemputė lėtai mirksi, o laikmatis skaičiuoja garinimo trukmę.
  - ▶ Po kurio laiko prietaisas pradeda pypsėti ir mirksi garinimo indo, kuriam nustatyta trumpiausia ruošimo trukmė, lemputė – taip parodoma, kad turite uždėti šį garinimo indą.
- 11** Uždėkite garinimo indą, kuriam nustatyta trumpiausia ruošimo trukmė, ant kitų garinimo indų ir paspauskite mirksintį garinimo indo arba paleidimo / stabdymo mygtuką.
- 12** Garintuvus pradeda garinti.
- ▶ Paleidimo / stabdymo lemputė lėtai mirksi, o laikmatis skaičiuoja garinimo trukmę.
  - ▶ Praėjus garinimo laikui, prietaisas supypsi ir įsijungia šilumos palaikymo režimas. Lėtai mirksi šilumos palaikymo ir paleidimo / stabdymo lemputės.

### Programų režimas: virėjo programa

---

Naudokite šį režimą norėdami paruošti tam tikrus produktus geriausiu būdu iš anksto nustatę ruošimo trukmę ir temperatūrą.

*Pastaba. Galite naudoti tik virėjo programą su apatiniu garinimo indu, kuris uždedamas tiesiai ant nuvarvėjimo padėklo.*

*Pastaba. Iš anksto nustatytiems virėjo programos mygtukams priskirta ilgesnė ruošimo trukmė negu rankiniam režimui. Taip yra todėl, kad temperatūra veikiant šiai programai iš dalies yra mažesnė nei 100 °C, kad būtų garantuotas geriausias rezultatas.*

- 1** Paspauskite virėjo programos mygtuką (Pav. 26).
- ▶ Užsideda virėjo programos lemputė ir keturi iš anksto nustatyti mygtukai (Pav. 27).
- 2** Paspauskite vieną iš keturių iš anksto nustatytų mygtukų.
- Norėdami ruošti žuvį, spauskite žuvies mygtuką (Pav. 28).
  - Norėdami ruošti bulves, spauskite bulvių mygtuką (Pav. 29).
  - Norėdami ruošti ryžius, spauskite ryžių mygtuką (Pav. 30).
  - Norėdami ruošti žalias daržoves, spauskite daržovių mygtuką (Pav. 31).
- 3** Jei reikia, galite sureguliuoti ruošimo trukmę laikmačio mygtuku aukštyn / žemyn, priklausomai nuo produktų garinimo inde kiekio ir dydžio.
- 4** Paspauskite paleidimo / stabdymo mygtuką.
- ▶ Pradedama garinti, lėtai mirksi paleidimo / stabdymo lemputė. Ekране pakaitomis rodomas laikmatis ir dabartinė ruošimo temperatūra pasirinktam iš anksto nustatytam mygtukui.
  - ▶ Praėjus garinimo laikui, prietaisas supypsi ir įsijungia šilumos palaikymo režimas. Užsideda šilumos palaikymo lemputė.

### Karščio palaikymo režimas

---

Baigęs garinti garintuvus automatiškai persijungia į šilumos palaikymo režimą; užsideda šilumos palaikymo lemputė.

Veikiant šilumos palaikymo režimui maistas išlieka šiltas 20 minučių.

- Jei norite išlaikyti maistą šiltą ilgiau nei 20 minučių, paspaudę laikmačio mygtukus aukštyn ir žemyn sureguliuokite šilumos palaikymo trukmę.
- Jei norite išjungti šilumos palaikymo režimą, kai jis veikia, paspauskite paleidimo / sustabdymo mygtuką.

## Valymas ir priežiūra

niekada nenaudokite šiurkščių kempinių, šlifuojamųjų valiklių arba esdinančių skysčių, pvz., benzino arba acetono prietaisui valyti.

**1** Ištraukite kištuką iš sieninio el. lizdo ir leiskite prietaisui atvėsti.

**2** Pagrindo išorę valykite drėgna šluoste.

Niekada nemerkite pagrindo į vandenį ir neskalaukite po iš čiaupo tekančiu vandeniu.

**3** Vandens bakelį plaukite šiltame vandenyje su trupučiu indų ploviklio sudrėkinta šluoste. Tada nuvalykite vandens bakelį švaria drėgna šluoste.

**4** Dangtį plaukite šiltu vandeniu, įpylę šiek tiek indų ploviklio.

Neplaukite dangčio indaplovėje.

**5** Išimkite iš garinimo indų dugnus. Išplaukite garinimo indus, išimamus dugnus, žolelių / prieskonių sietelį, nuvarvėjimo padėklą ir sriubos indą (tik HD9190) šiltame vandenyje, įpylę šiek tiek indų ploviklio. Be to, šias dalis galite plauti indaplovėje, pasirinkę trumpą plovimo ciklą ir žemą temperatūrą.

Jei garinimo indus dažnai plausite indaplovėje, jų dalys gali lengvai susibraižyti.

## Nuosėdų šalinimas

Pašalinkite prietaiso nuosėdas, kai jos matosi vandens bakelyje. Svarbu, kad šalintumėte nuosėdas iš garintuvo reguliariai – taip užtikrinsite optimalų prietaiso veikimą.

**1** Pripilkite į vandens bakelį acto (8 % acto rūgšties) iki MAX žymos.

Nenaudokite jokių kitų nuovirų šalinimo priemonių.

**2** Ant pagrindo tinkamai uždėkite nuvarvėjimo padėklą ir mažą garinimo indą (1) (Pav. 32).

**3** Uždėkite dangtį ant mažo garinimo indo viršaus (Pav. 33).

**4** Įkiškite į maitinimo lizdą kištuką.

**5** Paspaudę paleidimo / stabdymo mygtuką suaktyvinkite valdymo skydelį.

**6** Paspauskite paleidimo / stabdymo mygtuką, kad prietaisas veiktų 20 min (Pav. 17).

Jei verdantis actas išbėga pro pagrindo kraštą, išjunkite prietaisą ir sumažinkite acto kiekį.

**7** Kai prietaisas pradeda pypsėti, išjunkite jį ir palaukite, kol actas visiškai atvės. Tada ištuštinkite vandens bakelį.

**8** Praskalaukite vandens bakelį kelis kartus šaltu vandeniu.

*Pastaba. Jei vandens bakelyje dar liko nuosėdų, pakartokite procedūrą.*

## Laikymas

**1** Prieš pastatydami prietaisą, įsitikinkite, kad visos dalys yra švarios ir sausos (žr. skyrių „Valymas ir priežiūra“).

**2** Saugodami maitinimo laidą, užvyniokite jį ant ritės, esančios pagrinde (Pav. 34).

**3** Ant dugno uždėkite nuvarvėjimo padėklą (Pav. 35).

**4** Įsitikinkite, kad garinimo induose išimami dugnai yra savo vietoje.

**5** Uždėkite didelį garinimo indą (3) ant nuvarvėjimo padėklo. Įdėkite vidutinio dydžio garinimo indą (2) į didelį garinimo indą (3). Įdėkite mažą garinimo indą (1) į vidutinio dydžio garinimo indą (2) (Pav. 36).

**6** Tik HD9190: įdėkite sriubos indą į mažą garinimo indą (1).

**7** Uždėkite dangtį ant sriubos indo (tik HD9190) arba mažo garinimo indo (Pav. 37).

### Garantija ir techninė priežiūra

Prireikus techninės priežiūros paslaugų, informacijos ar jei iškilo problema, apsilankykite „Philips“ svetainėje adresu [www.philips.com/support](http://www.philips.com/support) arba susisiekite su jūsų šalyje esančiu „Philips“ klientų aptarnavimo centru. Jo telefono numerį rasite visame pasaulyje galiojančios garantijos lankstinuke. Jei klientų aptarnavimo centro jūsų šalyje nėra, apsilankykite pas savo „Philips“ atstovą.

### Aplinka

- Pasibaigus prietaiso naudojimo laikui, neišmeskite jo kartu su įprastomis buitinėmis atliekomis, pridukite jį į oficialų surinkimo punktą perdirbti. Taip prisidėsite tausojant aplinką (Pav. 38).

### Trikčių diagnostika ir šalinimas

Šiame skyriuje apibendrinamos problemos, dažniausiai pasitaikančios naudojantis šiuo prietaisu. Jei žemiau pateikiama informacija nepadės išspręsti problemos, kreipkitės į jūsų šalyje esantį klientų aptarnavimo centrą.

Problema	Galima priežastis	Sprendimas
Garintuvus neveikia.	Garintuvus įjungtas į tinklą.	Įkiškite į maitinimo lizdą kištuką.
	Vandens bakelyje nėra vandens. Dar nepaspaudėte paleidimo / stabdymo mygtuko.	Pripildykite vandens bakelį. Paspauskite paleidimo / stabdymo mygtuką.
Ne visas maistas paruoštas.	Kai kurie garinami maisto gabaliukai yra didesni ir / arba turi būti garinami ilgiau nei kiti.	Nustatykite ilgesnę garinimo trukmę + mygtuku.
		Didesnius maisto gabalėlius ir maistą, kuriuos reikia ilgiau garinti, dėkite į mažą garinimo indą (1) ir pradėkite garinti prieš įdėdami kitus indus.
	Į garinimo indus įdėjote per daug maisto.	Neperkraukite garinimo indų. Supjaustykite maisto produktus mažais gabalėliais, o mažiausius sudėkite ant viršaus. Palikite šiek tiek vietos tarp maisto gabalėlių ir tolygiai paskirstykite maistą po indo dugną.
Prietaisas kaista netinkamai.	Nešalinote nuovirų iš prietaiso reguliariai.	Pašalinkite nuoviras iš prietaiso. Žr. skyrių „Valymas ir priežiūra“.
Garinant iš vandens bakelio taškosi vanduo.	Įpylėte per daug vandens į vandens bakelį.	Iš vandens bakelio pašalinkite vandens perteklių. Įsitinkinkite, kad vanduo nesiekia MAX žymos.

Problema	Galima priežastis	Sprendimas
Nors vandens bakelyje vandens yra pakankamai, užsidega tuščio vandens bakelio lemputė.	Ant kaitinimo elemento per daug nuosėdų.	Pašalinkite iš vandens bakelio nuosėdas. Žr. skyriaus „Valymas ir priežiūra“ dalį „Nuosėdų šalinimas“.
Žolelių / prieskonių sietelis veikia tik iš dalies arba visai neveikia.	Neįberėte pakankamai žolelių į žolelių / prieskonių sietelį.	Įberkite daugiau žolelių į žolelių / prieskonių sietelį.
	Į žolelių / prieskonių sietelį įberėte netinkamų žolelių.	Į žolelių / prieskonių sietelį berkite stiprų kvapą turinčių žolelių. Žr. maisto garinimo lentelę skyriuje „Maisto lentelė ir garinimo patarimai“.
	Paruošę maistą jį valgėte praėjus nemažam laiko tarpui.	Valgykite maistą iškart jį paruošę.
Vandens bakelyje ar nuvarvėjimo padėkle ant vandens susidaro puta.	Putą gali susidaryti, kai vandens bakelyje atsiranda baltymų arba kai jame lieka valymo priemonių likučių.	Išvalykite vandens bakelį. Žr. skyrių „Valymas ir priežiūra“.

### Maisto lentelė ir garinimo patarimai

- Norėdami gauti receptų, perskaitykite mūsų receptų knygelę arba apsilankykite mūsų svetainėje [www.philips.com/kitchen](http://www.philips.com/kitchen).
- Garinimo trukmės žemiau pateiktoje lentelėje yra tik nurodymas. Garinimo trukmės gali kisti priklausomai nuo maisto gabalėlių dydžio, maisto išdėstymo ir jo kiekio garinimo inde, maisto šviežumo ir jūsų pageidavimų.

### Maisto garinimo lentelė

Garinamas maistas	Kiekis	Garinimo trukmė (min.)	Žolelės / prieskoniniai, kuriuos siūloma berti į žolelių / prieskonių sietelį
Šparagai	500 g	15–20	Peletrūnai, bazilikas, citrina
Mažos kukurūzų burbuolės	200 g	5–8	Česnako laišakai, čili, paprika
Šparaginės pupelės	500 g	15–20	Petražolės, citrina, česnakas
Brokoliai	400 g	20	Česnakas, malti raudoni pipirai, peletrūnai
Morkos	500 g	20	Petražolės, sausos garstyčios, česnako laišakai
Kalafiorų žiedeliai	400 g	20	Rozmarinas, bazilikas, peletrūnai
Salieras (pjaustytas kubeliais)	300 g	15–20	Kmynai, baltieji pipirai, čili

Garinamas maistas	Kiekis	Garinimo trukmė (min.)	Žolelės / prieskoniai, kuriuos siūloma berti į žolelių / prieskonių sietelį
Viščiuko šlaunelė	1 gabalas	25	Juodieji pipirai, citrina, paprika
Kukurūzo burbulė	500 g	30–40	Petražolės, česnakas, česnako laiškai
Cukinija (pjaustyta riekelėmis)	500 g	10	Krapai, šalavijas, rozmarinas
Kuskusas	150 g + 250 ml vandens	10–15	Kmynai, kalendros, gvazdikėliai
Kiaušiniai	6 vienetai	12–15	-
Vaisiai	500 g / 4 vienetai	10–15	Cinamonas, citrina, gvazdikėliai
Žirniai (šaldyti)	400 g	20–25	Rozmarinas, kmynai, petražolės
Bulvės	400 g	25–30	Petražolės, česnakų laiškai, česnakas
Krevetės	200 g	5	Kario milteliai, šafranas, citrina
Pudingai	4 dubenys	20	Cinamonas, gvazdikėliai, vanilė
Ryžiai	150 g + 300 ml vandens	35	Pandano ryžiai, petražolės, kmynai
	250 g + 500 ml vandens	35	Pandano ryžiai, petražolės, kmynai
Lašiša	450 g	12–15 min.	Krapai, petražolės, bazilikas
Baltoji žuvis	450 g	10–15	Sausos garstyčios, kvapnieji pipirai, mairūnai

### Iš anksto nustatomų garinimo režimų garinimo trukmės (Pav. 39)

#### Maisto garinimo patarimai

##### Žolelių / prieskonių sietelis

- Rozmarinai, čiobreliai, kalendros, bazilikai, krapai, karis ir peletrūnai yra vieni iš žolelių ir prieskonių, kurių galėtumėte berti į žolelių / prieskonių sietelį. Juos galite derinti su česnakais, kmynais ar krienuis, kad pagerintumėte skonį nepridėję druskos. Patariame įberti nuo 1/2 iki 3 arbatinių šaukštelių džiovintų žolelių arba prieskonių. Įdėkite daugiau, jei naudojate šviežias žoleles ar prieskonius.
- Žolelių / prieskonių sietelis geriausiai veikia tada, kai maistas garinamas apatiniame inde, uždėtame tiesiai ant nuvarvėjimo padėklo.
- Norėdami sužinoti daugiau patarimų apie žoleles, prieskonius ir skysčius, kuriuos galite pilti į žolelių / prieskonių sietelį, perskaitykite pirmiau pateiktą maisto garinimo lentelę.
- Jei ant maisto užpilsite šiek tiek aliejaus, sustiprės žolelių / prieskonių sietelio poveikis ir maistas bus gardesnis.
- Kad gerai įsigertų, gerai susmulkinkite žoleles ir tolygiai paskirstykite jas žolelių / prieskonių sietelyje.
- Maistas bus gardžiausias, jei valgysite jį iškart paruošę.
- Nepilkite į žolelių / prieskonių sietelį skysčių.

### **Daržovės ir vaisiai**

- Nupjaukite storus žiedinių kopūstų, brokolių ir kopūstų stiebus.
- Žalias ir turinčias lapus daržoves garinkite kaip įmanoma trumpiau, nes jos lengvai praranda spalvą.
- Prieš garindami, neatitirpinkite šaldytų daržovių.

### **Mėsa, paukštiena, jūros gėrybės ir kiaušiniai**

- Labiausiai tinka garinti minkštus mėsos gabalėlius su trupučiu riebalų.
- Tinkamai nuplaukite mėsą ir nusausinkite, kad nuvarvėtų kuo mažiau sulčių.
- Visada įdėkite mėsą, paukštieną, žuvį ar kiaušinius po kitu maistu – taip išvengsite sulčių varvėjimo.
- Prieš dėdami kiaušinius į garintuvą, pradurkite juos.
- Niekada negarinkite šaldytos mėsos, paukštienos ar jūros gėrybių. Visada prieš dėdami juos į garintuvą – visiškai atitirpinkite.

### **Saldūs desertai**

- Į desertus įberkite šiek tiek cinamono – taip desertą pasaldinsite ir nereikės naudoti cukraus.

### **Bendrieji patarimai**

- Tik HD9190: norėdami paruošti ryžius, į sriubos indą su ryžiais turite pripilti vandens. Reikiamus kiekius rasite anksčiau pateiktoje maisto garinimo lentelėje.
- Kai baigsite ruošti ryžius pasirinkę iš anksto nustatytą ryžių mygtuką, išjunkite prietaisą, pamaišykite ryžius ir palikite juos inde uždenge dangčiu 5 minutes. Taip ryžiai bus dar garesni.
- Tik HD9190: sriubos inde galite ruošti ne tik sriubą, bet ir daržoves padaže, troškinti žuvį, marinuotą maistą, pudingą, sriubą ir ryžius.
- Palikite šiek tiek vietos tarp maisto gabalėlių ir tolygiai paskirstykite maistą po indo dugną.
- Jei garinimo indas labai pilnas, garindami maišykite maistą iki pusės.
- Mažam maisto kiekiui garinti reikia mažiau laiko, nei didesniame kiekiui.
- Jei naudojate tik vieną garinimo indą, maistą reikia garinti trumpiau, nei naudojant 2 ar 3 garinimo indus.
- Jei naudojate daugiau nei vieną garinimo indą, pagarinkite maistą 5–10 min. ilgiau.
- Maistą paruoškite greičiau garindami jį mažame garinimo inde (1) nei garinimo induose ant viršaus.
- Įsitikinkite, ar maistas gerai išgarintas, prieš jį valgydami. Tai ypač svarbu, jei valgote mėsą, pvz., kiaulieną, jautienos faršą, vištieną.
- Garindami galite įdėti maisto ar garinimo indus su maistu. Jei produktai turi būti garinami trumpiau, galite įdėti juos vėliau.
- Maistas garinamas toliau, kol garintuvas persijungia į karščio palaikymo režimą, todėl, jei maistas jau paruoštas, išimkite jį iš garintuvo, kai garinimo procesas baigtas ir įsijungia karščio palaikymo režimas.
- Jei maistas dar ne visiškai paruoštas, nustatykite ilgesnę garinimo trukmę. Gali tecti įpilti daugiau vandens į vandens bakelį.
- Tik HD9190: garintuvą galima naudoti paruoštai sriubai šildyti. Supilkite sriubą į sriubos indą ir garinkite ją iš anksto nustatytu žuvies garinimo režimu. Jei norite pašildyti 250 ml sriubos, užtruksite apie 10 minučių.



## Ievads

Apsveicam ar pirkumu un laipni lūdzam Philips! Lai pilnībā izmantotu Philips piedāvātā atbalsta iespējas, reģistrējiet izstrādājumu vietnē [www.philips.com/welcome](http://www.philips.com/welcome).

## Vispārīgs apraksts (Zīm. 1)

- 1 Vadības panelis ar displeju un pogām
  - a Ieslēgšanas/apturēšanas un pauzes poga
  - b Taimera iestatīšanas poga
  - c Indikators "Tukša ūdens tvertne"
  - d Tvaicēšanas groza pogas (1, 2, 3)
  - e Maltītes programmas poga
  - f Pavāra programmas poga
  - g Pavāra programmas iepriekšējo iestatījumu pogas (zivis, kartupeļi, rīsi, zaļie dārzeņi)
  - h Taimera rādījums
  - i Indikators "Siltuma saglabāšana"
  - j Turbo režīma indikators
- 2 Pamatne ar ūdens tvertni
- 3 Temperatūras sensors
- 4 Pilēšanas paplāte
- 5 Aromāta pastiprinātājs
- 6 Mazs tvaicēšanas grozs (1)
- 7 Vidējs tvaicēšanas grozs (2)
- 8 Liels tvaicēšanas grozs (3)
- 9 Zupas trauks (tikai HD9190)
- 10 Vāks
- 11 Tvaika atveres
- 12 Vāka rokturis
- 13 Noņemama pamatne
- 14 Ūdens uzpildes snēpis
- 15 Vada uzglabāšanas vieta

*Piezīme. Tvaicēšanas grozi ir numurēti no 1 līdz 3. Tvaicēšanas grozu numuri ir norādīti uz to rokturiem. Varat novietot jebkuru lielāku grozu uz mazāka groza, taču grozus vislabāk salikt loģiskā augošā secībā: vispirms mazākais grozs (1), pēc tam vidējais grozs (2) un beigās lielākais grozs (3).*

*Piezīme par HD9190. Zupas trauku visērtāk izmantot apvienojumā ar lielo grozu (3).*

*Piezīme. Vienmēr novietojiet pilēšanas paplāti zem tvaicēšanas groziem, un izmantojiet tikai ar ēdienu piepildītus tvaicēšanas grozus.*

## Svarīgi!

Pirms ierīces lietošanas uzmanīgi izlasiet šo lietošanas pamācību un saglabājiet to, lai vajadzības gadījumā varētu ieskatīties tajā arī turpmāk.

### Briesmas

- Nekad neiegremdējiet pamatni ūdenī un neskalojiet to tekošā ūdenī.

### Brīdinājums!

- Pirms ierīces pievienošanas elektrotīklam pārbaudiet, vai uz tās norādītais spriegums atbilst elektrotīkla spriegumam jūsu mājā.

- Pieslēdziet ierīci tikai iezemētai sienas kontaktligzdai. Vienmēr pārbaudiet, vai kontaktdakša ir stingri iesprausta kontaktligzdā.
- Šī ierīce nav paredzēta darbināšanai ar ārēju taimeru vai atsevišķu tālvadības sistēmu.
- Neizmantojiet ierīci, ja ir bojāta tās kontaktdakša, elektrības vads vai pati ierīce.
- Ja elektrības vads ir bojāts, tas jānomaina Philips pilnvarota tehniskās apkopes centra darbiniekiem vai līdzīgi kvalificētām personām, lai izvairītos no briesmām.
- Šo ierīci nedrīkst izmantot personas (tai skaitā bērni) ar fiziskiem, maņu vai garīgiem traucējumiem vai ar nepietiekamu pieredzi un zināšanām, kamēr par viņu drošību atbildīgā persona nav viņus īpaši apmācījusi šo ierīci izmantot.
- Jānodrošina, lai ar ierīci nevarētu rotaļāties mazi bērni.
- Glabājiet elektrības vadu bērniem nepieejamā vietā. Neļaujiet ierīces elektrības vadam nokarāties pāri galda vai darbvirsmas malai, kur novietota ierīce.
- Neglabājiet elektrības vadu tuvu karstām virsmām.
- Pirms ierīces pievienošanas elektrotīklam vienmēr pilnībā atritiniet elektrības vadu no spoles ierīces pamatnē.
- Nekad netvaicējiet saldētu gaļu, mājputnu gaļu vai jūras veltes. Pirms tvaicēšanas vienmēr pilnībā atkausējiet šos produktus.
- Nekad nelietojiet ēdiena tvaicētāju bez pilēšanas paplātes, citādi karstais ūdens šļakstīsies ārā no ierīces.
- Tvaicēšanas grozus un zupas trauku (tikai HD9190) izmantojiet tikai kopā ar oriģinālo pamatni.

### **Ievērošanai**

- Šī ierīce ir paredzēta vienīgi lietošanai mājas apstākļos. Tā nav paredzēta lietošanai veikalā vai biroja darbinieku virtuvēs, saimniecības ēkās vai citās darba telpās, piemēram, viesnīcās, moteļos, pansijās un citās apmešanās vietās.
- Ja ierīce tiek izmantota neatbilstoši vai profesionālā/pusprofesionālā nolūkā, vai arī ja tā netiek izmantota atbilstoši lietotāja rokasgrāmatā sniegtajām instrukcijām, garantija zaudē spēku, un Philips neuzņemsies atbildību par iespējamiem bojājumiem.
- Nekad neizmantojiet citu ražotāju piederumus vai detaļas, kurus uzņēmus Philips nav īpaši ieteicis. Ja izmantojat šādus piederumus vai detaļas, ierīces garantija vairs nav spēkā.
- Nepakļaujiet ierīces pamatni pārāk augstas temperatūras, karstas gāzes, tvaika vai mitra un karsta gaisa iedarbībai, ko izdala citas iekārtas.

Nenovietojiet tvaicēšanas ierīci uz vai pie ieslēgtas vai vēl karstas krāsns vai plīts.

- Nenovietojiet ieslēgtu ierīci pie vai zem priekšmetiem, kurus tvaiks varētu sabojāt, piemēram, pie sienas un zem bufetes.
- Nedarbiniet ierīci, ja gaisā ir sprāgstoši un/vai uzliesmojoši izgarojumi.
- Novietojiet tvaicēšanas ierīci uz stabilas, horizontālas un līdzenas virsmas un, lai novērstu pārkaršanu, pārlicinieties, ka ap ierīci ir vismaz 10 cm brīvas telpas.
- Vienmēr ievietojiet noņemamās pamatnes tvaicēšanas grozos no augšpusē. Lai pareizi novietotu pamatnes, vispirms nolaidiet vienu pusi grozā, bet pēc tam otru pusi, līdz pamatne nofiksējas savā vietā (atskan klikšķis). Pārlicinieties, vai pamatnes izvirzījums ir vērsts uz augšu. (Zīm. 2)
- Uzmanieties no tvaika, kas izplūst no ēdiena tvaicētāja tvaicēšanas laikā, siltuma saglabāšanas režīmā, vai noņemot vāku. Pārbaudot ēdienu, vienmēr lietojiet virtuves piederumus ar gariem rokturiem.
- Neturiet rokas virs tvaicēšanas ierīces, kamēr tā darbojas.
- Nepieskarieties ierīces karstajām daļām. Vienmēr lietojiet virtuves cimds, kad aizskarat ierīces karstās daļas.
- Nepārvietojiet tvaicēšanas ierīci, kamēr tā darbojas.
- Vienmēr uzmanīgi noņemiet vāku virzienā prom no sevis. Lai neapplaucētos, ļaujiet kondensātam no vāka notecēt tvaicēšanas ierīcē.
- Ja ēdiens ir karsts, tvaicēšanas grozu vienmēr turiet aiz rokturiem.
- Neiztukšojiet ūdens tvertni caur ūdens uzpildes snīpi. Lai iztukšotu ūdens tvertni, sagāziet pamatni uz aizmuguri un izlejiet ūdeni no pamatnes aizmugures (Zīm. 3).
- Pirms ierīces tīrīšanas vienmēr atvienojiet to no elektrības un ļaujiet atdzist.

### **Automātiska izslēgšanās**

Ierīcei ir automātiskās izslēgšanās funkcija. Ierīce automātiski izslēdzas, ja 2 minūšu laikā pēc ierīces pievienošanas elektrotīklam netiek nospiesta neviena poga. Ierīce automātiski izslēdzas arī pēc tam, kad ir pagājis iestatītais tvaicēšanas laiks (tostarp siltuma saglabāšanas laiks).

### **Aizsardzība pret ūdens pilnīgu izvārīšanos**

Šai tvaicēšanas ierīcei ir aizsardzība pret ūdens pilnīgu izvārīšanos. Aizsardzības pret ūdens pilnīgu izvārīšanos funkcija automātiski izslēdz sildelementu, ja ūdens tvertnē nav ūdens vai ja ūdens tiek izlietots. Piepildiet ūdens tvertni ar aukstu ūdeni līdz atzīmei MAX, lai turpinātu lietot ierīci.

### **Elektromagnētiskie lauki (EML)**

Šī Philips ierīce atbilst visiem standartiem saistībā ar elektromagnētiskiem laukiem (EML). Ja rīkojaties atbilstoši un saskaņā ar šajā rokasgrāmatā sniegtajām instrukcijām, ierīce ir droši izmantojama saskaņā ar mūsdienās pieejamajiem zinātniskiem datiem.

### Pirms pirmās lietošanas reizes

- 1 Pirms ierīces pirmās lietošanas reizes rūpīgi notīriet detaļas, kas saskarsies ar ēdienu (skatiet nodaļu "Tīrīšana un apkope").
- 2 Izslaukiet ūdens tvertni ar mitru drāniņu.

### Sagatavošana lietošanai

- 1 Novietojiet ierīci uz stabilas, horizontālas un līdzenas virsmas.
- 2 Pirms ierīces pievienošanas elektrotīklam pilnībā atritiniet elektrības vadu no spoles ierīces pamatnē.
- 3 Piepildiet ūdens tvertni ar ūdeni līdz MAX atzīmei (Zīm. 4).  
 ▶ ūdens tvertne ir pilnībā uzpildīta līdz MAX atzīmei, tvaicētājs var tvaicēt produktus apm. 60 minūtes.

Nepārsniedziet maksimālā līmeņa atzīmi MAX.

Iepildiet ūdens tvertnē tikai ūdeni. Nekad neiepildiet tajā garšvielas, eļļu vai citas vielas.

- 4 Novietojiet pilēšanas paplāti uz ierīces pamatnē ievietotās ūdens tvertnes (Zīm. 5).

*Piezīme. Nekad neizmantojiet ierīci bez pilēšanas paplātes, kā arī neļaujiet pilēšanas paplātē ūdeni, garšvielas, eļļu vai citas vielas.*

- 5 Ja vēlaties papildināt tvaicētā ēdiena garšu, nolieciet uz pilēšanas paplātes aromāta pastiprinātāju. (Zīm. 6)
  - Piepildiet aromāta pastiprinātāju ar svaigiem vai kaltētiem garšaugiem.
  - Ieteicamos garšaugus vai garšvielas dažādiem produktu veidiem skatiet pārtikas tvaicēšanas tabulā nodaļā „Pārtikas tabula un tvaicēšanas padomi”.
- 6 Ievietojiet tvaicējamus produktus vienā vai vairākos tvaicēšanas grozos un/vai zupas traukā (tikai HD9190). (Zīm. 7)
  - Vienmēr ievietojiet izņemamās pamatnes tvaicēšanas grozos no augšpusēs. Lai pareizi novietotu pamatnes, vispirms nolaidiet vienu pusi grozā, bet pēc tam otru pusi, līdz pamatne nofiksējas savā vietā (atskan klikšķis). Pārliedzinieties, vai pamatnes izvirkājums ir vērstas uz augšu (Zīm. 2).
  - Neievietojiet tvaicēšanas grozos pārāk daudz ēdiena. Atstājiet mazliet vietas starp produktiem un vienmērīgi izlīdziniet produktus groza apakšā.
  - Tikai HD9189: lai pagatavotu rīsus, varat izmantot vieglu trauku, ko var ievietot tvaicēšanas grozos. Pārliedzinieties, vai ap trauku ir mazliet brīvas vietas, lai nodrošinātu atbilstošu tvaika cirkulāciju tvaicētājā.
  - Lielākus produktu gabalus un produktus, kas jātvaicē ilgāk, lieciet apakšējā tvaicēšanas grozā (1).
  - Lai varētu ērti pagatavot olas, lieciet tās olu turētājā (Zīm. 8).
  - Lai tvaicētu lielus produktus (piemēram, veselu vistu, kukurūzas vāļītes), varat izņemt noņemamās pamatnes no vidējā (2) un lielā tvaicēšanas groza (3), tādējādi izveidojot vienu lielu tvaicēšanas grozu.

*Piezīme. Tvaicēšanas grozu maksimālā ietilpība ir 1 kg.*

- 7 Uzlieciet uz pilēšanas paplātes vienu vai vairākus tvaicēšanas grozus. Novietojiet grozus pareizi un pārliedzinieties, ka tie nekustas (Zīm. 9).
  - Jums nav noteikti jāizmanto visi trīs tvaicēšanas grozi.
  - Tvaicēšanas grozi ir numurēti no 1 līdz 3. Tvaicēšanas grozu numuri ir norādīti uz to rokturiem. Varat novietot jebkuru lielāku grozu uz mazāka groza, taču grozus vislabāk salikt loģiskā augošā secībā: vispirms mazākais grozs (1), pēc tam vidējais grozs (2) un beigās lielākais grozs (3). Vienmēr novietojiet pilēšanas paplāti zem tvaicēšanas groziem, un izmantojiet tikai ar ēdienu piepildītus tvaicēšanas grozus (Zīm. 10).

- Tikai HD9190: zupas trauks ir paredzēts zupu, citu šķidru ēdienu un zivju pagatavošanai. Ja vēlaties izmantot zupas trauku, ievietojiet to lielajā tvaicēšanas grozā (3) (Zīm. 11).
- Tikai HD9190: kad izņemat pamatni no lielā tvaicēšanas groza (3), lai kopā ar apakšā esošo vidējo tvaicēšanas grozu (2) izveidotu lielāku grozu, virspusē joprojām varat novietot zupas trauku, lai pagatavotu zivis, rīsus vai zupu (Zīm. 12).
- Izņemot pamatni no vidējā tvaicēšanas groza (2), lai izveidotu lielāku grozu kopā ar apakšā esošo mazo tvaicēšanas grozu (1), joprojām varat virspusē novietot lielo tvaicēšanas grozu (3).

## 8 Uzlieciet vāku uz augšējā tvaicēšanas groza (Zīm. 13).

*Piezīme. Ja vāks nav pareizi novietots uz tvaicēšanas groza, ēdiens netiek tvaicēts pareizi.*

## Ierīces lietošana

Tvaicētājam ir divi tvaicēšanas režīmi:

1 Manuālais režīms, lai ātri aktivizētu tvaicētāju.

2 Programmas režīms:

- Maltītes programma: lai sagatavotu pilnīgu maltīti ar atšķirīgiem pagatavošanas laikiem katram grozam.
- Pavāra programma ar iepriekš iestatītām pogām: lai pagatavotu produktus ar iepriekš noteiktu pagatavošanas laiku un temperatūru.

Skatiet tālāk atsevišķas sadaļas ar papildinformāciju par šo režīmu izmantošanu.

## Vispārīga procedūra

Tālāk norādītas vispārīgas darbības, kas attiecas uz visiem trim tvaicēšanas režīmiem.

**1** Iespraudiet kontaktdakšu kontaktlīdždā.

▶ Iedegas ieslēgšanas/izslēgšanas pogas indikators, un displejā parādās noklusējuma tvaicēšanas laiks (20 minūtes) (Zīm. 14).

**2** Izvēlieties vienu no diviem tvaicēšanas režīmiem un izpildiet nepieciešamās darbības (skatiet tālāk sadaļas ar informāciju par atšķirīgajiem tvaicēšanas režīmiem).

*Piezīme. Nevarat izmantot abus tvaicēšanas režīmus vienlaikus. Tāpat nav iespējams izmantot maltītes programmu un pavāra programmu vienlaikus.*

*Piezīme. Ja tvaicējat lielu daudzumu pārtikas, apmaisiet to tvaicēšanas procesa vidū, izmantojot virtuves piederumus ar garu rokturi. Noteikti lietojiet arī virtuves cimdsus.*

*Piezīme. Pirmo 5 tvaicēšanas procesa minūšu laikā iedegas turbo režīma indikators. Tas norāda, ka tvaicētājs izmanto papildu jaudu, lai ātri uzsildītu grozu.*

**3** Kad tvaicēšanas process ir pabeigts, ierīce pīkst 5 reizes un pēc tam automātiski pārslēdzas uz siltuma saglabāšanas režīmu (skatiet sadaļu "Siltuma saglabāšanas režīms").

**4** Pēc lietošanas uzmanīgi noņemiet vāku.

Uzmanieties no karstā tvaika, kas izplūst no ierīces, kad noņemat vāku.

*Piezīme. Lai novērstu apdegumus, valkājiet virtuves cimdsus, noņemot vāku. Noņemiet vāku lēnām un proļām no sevis. Ļaujiet kondensātam notecēt no vāka tvaicēšanas grozā.*

*Piezīme. Lai izņemtu ēdienu no tvaicēšanas groziem, izmantojiet virtuves piederumus ar gariem rokturiem.*

**5** Noņemot tvaicēšanas grozu, ļaujiet trauka kondensātam nopīlēt apakšā novietotajā tvaicēšanas grozā vai pilēšanas paplātē.

- 6** Izraujiet kontaktdakšu no sienas kontaktligzdas un ļaujiet tvaicētājam pilnībā atdzist, pirms noņemat pilēšanas paplāti.
- 7** Iztukšojiet ūdens tvertni pēc katras lietošanas reizes, sagāžot pamatni uz aizmuguri un izlejot ūdeni no pamatnes aizmugures (Zīm. 3).

Uzmanieties, izņemot pilēšanas paplāti un iztukšojot ūdens tvertni, jo ūdens tajās joprojām var būt karsts, pat ja citas ierīces daļas ir atdzisušas.

*Piezīme. Ja tvaicēšanas laikā beidzas ūdens, iedegas indikators "Tukša ūdens tvertne", lai norādītu, ka jāuzpilda ūdens tvertne (Zīm. 15).*

*Piezīme. Ja vēlaties tvaicēt lielāku produktu daudzumu un nepieciešams vairāk ūdens, varat pievienot nelielu ūdens daudzumu caur ūdens uzpildes snīpi, lai uzpildītu ūdens tvertni.*

*Piezīme. Ierīce automātiski pāriet gaidstāves režīmā, ja tā netiek izmantota 2 minūtes. Nospiediet ieslēgšanas/apturēšanas pogu, lai vēlreiz aktivizētu vadības paneli.*

### **Manuālais režīms**

Izmantojiet šo režīmu, lai ātri aktivizētu tvaicētāju.

- 1** Nospiediet taimera iestatīšanas pogu, lai izvēlētos nepieciešamo tvaicēšanas laiku (Zīm. 16).
- 2** Lai sāktu tvaicēšanu, nospiediet ieslēgšanas/apturēšanas pogu (Zīm. 17).
- Tiek sākts tvaicēšanas process. Lēni mirgo ieslēgšanas/apturēšanas indikators un turbo režīma indikators, un taimeris veic iestatītā tvaicēšanas laika atskaiti (Zīm. 18).
  - Kad iestatītais tvaicēšanas laiks ir pagājis, atskan pīkstiens un ierīce pārslēdzas siltuma saglabāšanas režīmā. Iedegas siltuma saglabāšanas indikators (Zīm. 19).

### **Programmas režīms: maltītes programma**

Izmantojiet šo programmu, lai pagatavotu pilnīgu maltīti ar atšķirīgiem pagatavošanas laikiem katram tvaicēšanas grozam. Ierīce automātiski sāk tvaicēt produktus tvaicēšanas grozā ar ilgāko pagatavošanas laiku, un atskan pīkstiens, lai informētu, kad novietot tvaicēšanas grozu vai grozus ar īsāku pagatavošanas laiku. Pēdējam tvaicēšanas laikam ir vismazākais pagatavošanas laiks.

*Piezīme. Ja vēlaties pagatavot maltīti, neizmantojot visus trīs tvaicēšanas grozus, iestatiet taimeri tikai izmantotajiem tvaicēšanas groziem.*

- 1** Nospiediet maltītes programmas pogu. (Zīm. 20)
- Iedegas maltītes programmas pogas indikators, un iedegas trīs tvaicēšanas grozu pogas (Zīm. 21).
- 2** Nospiediet tvaicēšanas groza pogu 1, 2 vai 3, lai izvēlētos vienu no tvaicēšanas groziem. (Zīm. 22)
- Sāk mirgot atbilstošais indikators.
- 3** Nospiediet taimera iestatīšanas pogas, lai iestatītu nepieciešamo pagatavošanas laiku izvēlētajam tvaicēšanas grozam. (Zīm. 23)
- 4** Vēlreiz nospiediet tā tvaicēšanas groza pogu, kuram iestatījāt laiku, lai apstiprinātu. (Zīm. 24)
- Iedegas punkts zem tvaicēšanas groza pogas, lai norādītu, ka laiks ir iestatīts.
- 5** Atkārtojiet no 2. līdz 4. darbībai, līdz esat iestatījis laiku visiem tvaicēšanas groziem, ko vēlaties izmantot.
- 6** Ievietojiet produktus tvaicēšanas grozos. Kad izmantojat visus trīs tvaicēšanas grozus, ievietojiet produktus ar ilgāko pagatavošanas laiku mazākajā tvaicēšanas grozā (1), produktus

ar otru ilgāko pagatavošanas laiku vidējā tvaicēšanas grozā (2), bet produktus ar vismazāko pagatavošanas laiku ievietojiet lielākajā tvaicēšanas grozā (3).

- 7** Novietojiet tvaicēšanas grozu ar ilgāko pagatavošanas laiku uz tvaicētāja pamatnes.
- 8** Nospiediet ieslēgšanas/apturēšanas pogu (Zīm. 17).
  - ▶ Tiek sākts tvaicēšanas process tvaicēšanas grozā ar ilgāko pagatavošanas laiku. Lēni mirgo ieslēgšanas/apturēšanas indikators, un taimeris veic tvaicēšanas laika atskaiti.
  - ▶ Pēc neilga laika atskan pīkstiens un sāk ātri mirgot tvaicēšanas groza ar otro ilgāko pagatavošanas laiku indikators, lai norādītu, ka jānovieto nākamais tvaicēšanas grozs (Zīm. 25).
- 9** Novietojiet tvaicēšanas grozu ar otru ilgāko pagatavošanas laiku uz tvaicēšanas groza, kas jau novietots uz tvaicētāja, un nospiediet mirgojošo tvaicēšanas groza pogu vai ieslēgšanas/ apturēšanas pogu.
- 10** Tvaicētājs turpina tvaicēšanas procesu.
  - ▶ Ieslēgšanas/apturēšanas indikators lēni mirgo, un taimeris veic tvaicēšanas laika atskaiti.
  - ▶ Pēc neilga laika atskan pīkstiens un sāk ātri mirgot tvaicēšanas groza ar īsāko pagatavošanas laiku indikators, lai norādītu, ka jānovieto šis tvaicēšanas grozs.
- 11** Novietojiet tvaicēšanas grozu ar īsāko pagatavošanas laiku uz pārējiem tvaicēšanas groziem un nospiediet mirgojošo tvaicēšanas groza pogu vai ieslēgšanas/apturēšanas pogu.
- 12** Tvaicētājs turpina tvaicēšanas procesu.
  - ▶ Ieslēgšanas/apturēšanas indikators lēni mirgo, un taimeris veic tvaicēšanas laika atskaiti.
  - ▶ Kad ir pagājis tvaicēšanas laiks, atskan pīkstiens un ierīce pārslēdzas uz siltuma saglabāšanas režīmu. Lēni mirgo siltuma saglabāšanas indikators un ieslēgšanas/apturēšanas indikators.

### **Programmas režīms: pavāra programma**

---

Izmantojiet šo režīmu, lai pagatavotu noteiktas sastāvdaļas optimālā veidā ar iepriekš definētiem pagatavošanas laikiem un temperatūrām.

*Piezīme. Pavāra programmu varat izmantot tikai ar pašu apakšējo tvaicēšanas grozu, kas novietots tieši uz pilēšanas paplātes.*

*Piezīme. Nospiežot pavāra programmas iepriekšējo iestatījumu pogas, pagatavošanas laiks būs ilgāks nekā manuālajā režīmā. Tas notiek tādēļ, ka pagatavošanas temperatūras ir daļēji zem 100°C vislabākajam pagatavošanas rezultātam.*

- 1** Nospiediet pavāra programmas pogu (Zīm. 26).
  - ▶ Iedegas pavāra programmas pogas indikators un četras iepriekšējo iestatījumu pogas (Zīm. 27).
- 2** Nospiediet vienu no četrām iepriekšējo iestatījumu pogām.
  - Nospiediet zivju režīma pogu, lai pagatavotu zivis (Zīm. 28).
  - Nospiediet kartupeļu režīma pogu, lai pagatavotu kartupeļus (Zīm. 29).
  - Nospiediet rīsu režīma pogu, lai pagatavotu rīsus (Zīm. 30).
  - Nospiediet dārzeņu režīma pogu, lai pagatavotu zaļos dārzeņus (Zīm. 31).
- 3** Ja nepieciešams, varat pielāgot pagatavošanas laiku ar taimera iestatīšanas pogu atkarībā no tvaicēšanas grozā ievietoto produktu daudzuma un izmēriem.
- 4** Nospiediet ieslēgšanas/apturēšanas pogu.
  - ▶ Tiek sākts tvaicēšanas process, un lēni mirgo ieslēgšanas/apturēšanas indikators. Displejā redzama taimera atskaite un izvēlētā iepriekšējā iestatījuma režīma pašreizējā pagatavošanas temperatūra.
  - ▶ Kad tvaicēšanas laiks ir pagājis, atskan pīkstiens un ierīce pārslēdzas siltuma saglabāšanas režīmā. Iedegas siltuma saglabāšanas indikators.

## Siltuma saglabāšanas režīms

Pēc tvaicēšanas tvaicētājs automātiski pārslēdzas uz siltuma saglabāšanas režīmu un iedegas siltuma saglabāšanas indikators.

Siltuma saglabāšanas režīms saglabā ēdienu siltu 20 minūtes.

- Ja vēlaties, lai ēdiens tiktu uzturēts silts ilgāk par 20 minūtēm, spiediet taimera iestatīšanas pogas un pielāgojiet siltuma saglabāšanas laiku.
- Ja vēlaties izslēgt siltuma saglabāšanas režīmu, nospiediet ieslēgšanas/apturēšanas pogu.

## Tīrīšana un kopšana

Ierīces tīrīšanai nekādā gadījumā nelietojiet skrāpjus, abrazīvus tīrīšanas līdzekļus vai agresīvus šķidrums, piemēram, benzīnu vai acetonu.

**1** Izvelciet kontaktdakšu no sienas kontaktligzdas un ļaujiet ierīcei atdzist.

**2** Notīriet pamatni no ārpusē ar mitru drāniņu.

Nekad neiegremdējiet pamatni ūdenī, kā arī neskalojiet to tekošā ūdenī.

**3** Tīriet ūdens tvertni ar siltā ūdenī samitrinātu drāniņu, kam pievienots neliels daudzums trauku mazgāšanas līdzekļa. Pēc tam izslaukiet ūdens tvertni ar tīru, mitru drāniņu.

**4** Tīriet vāku ar siltu ūdeni un nelielu daudzumu trauku mazgāšanas līdzekļa.

Nemazgājiet vāku trauku mazgājamā mašīnā.

**5** Izņemiet pamatnes no tvaicēšanas groziem. Mazgājiet tvaicēšanas grozus, izņemamās pamatnes, aromāta pastiprinātāju, pilēšanas paplāti un zupas trauku (tikai HD9190) ar rokām siltā ūdenī, pievienojot mazliet trauku mazgāšanas šķidrums. Varat mazgāt šīs detaļas arī trauku mazgāšanas mašīnā, izmantojot ātru ciklu un zemu temperatūru.

Atkārtoti mazgājot tvaicēšanas grozus trauku mazgāšanas mašīnā, šīs daļas var kļūt nedaudz nespodras.

## Atkalķošana

Ja ūdens tvertnē izveidojas kalcija nosēdumi, ierīce ir jāatkalķo. Lai tvaicēšanas ierīce darbotos iespējami labāk, ir svarīgi, lai tā tiktu regulāri atkalķota.

**1** Iepildiet ūdens tvertnē balto etiķi (8% etiķskābe) līdz MAX atzīmei.

Nelietojiet nevienu citu atkalķotāju.

**2** Pareizi novietojiet pilēšanas paplāti un mazo tvaicēšanas grozu uz pamatnes (Zīm. 32).

**3** Uzlieciet vāku uz mazā tvaicēšanas groza (Zīm. 33).

**4** Iespraudiet kontaktdakšu kontaktligzdā.

**5** Nospiediet ieslēgšanas/apturēšanas pogu, lai aktivizētu vadības paneli.

**6** Nospiediet ieslēgšanas/apturēšanas pogu, lai ierīce darbotos 20 minūtes (Zīm. 17).

Ja etiķis vāroties līst pāri pamatnes malām, atvienojiet ierīci no elektrotīkla un samaziniet etiķa daudzumu.

**7** Kad atskan pīkstiens, atvienojiet ierīci no strāvas un ļaujiet etiķim pilnībā atdzist. Pēc tam iztukšojiet ūdens tvertni.

**8** Vairākas reizes izskalojiet ūdens tvertni ar aukstu ūdeni.

*Piezīme. Ja ūdens tvertnē vēl joprojām ir katlakmens, atkārtojiet šo darbību.*



## Uzglabāšana

- 1 Pirms ierīces novietošanas glabāšanā pārlicinieties, ka visas daļas ir tīras un sausas (skatiet nodaļu "Tīrīšana un apkope").
- 2 Lai glabātu elektrības vadu, uztiniet to uz spoles ierīces pamatnē (Zīm. 34).
- 3 Novietojiet pilēšanas paplāti uz pamatnes (Zīm. 35).
- 4 Pārlicinieties, vai tvaicēšanas grozos ir ievietotas noņemamās pamatnes.
- 5 Novietojiet lielo tvaicēšanas grozu (3) uz pilēšanas paplātes. Vidējo tvaicēšanas grozu (2) ievietojiet lielajā tvaicēšanas grozā (3). Mazo tvaicēšanas grozu (1) ievietojiet vidējās tvaicēšanas grozā (2) (Zīm. 36).
- 6 Tikai HD9190: ievietojiet zupas trauku mazajā tvaicēšanas grozā (1).
- 7 Uzlieciet vāku uz zupas trauka (tikai HD9190) vai uz mazā tvaicēšanas groza (Zīm. 37).

## Garantija un apkope

Ja jums nepieciešama informācija vai palīdzība, lūdzu, apmeklējiet Philips tīmekļa vietni [www.philips.com/support](http://www.philips.com/support) vai sazinieties ar Philips klientu apkalpošanas centru savā valstī (tā tālruna numurs atrodams pasaules garantijas brošūrā). Ja jūsu valstī nav klientu apkalpošanas centra, vērsieties pie vietējā Philips preču izplatītāja.

## Vide

- Pēc ierīces darbmūža beigām, neizmetiet to kopā ar sadzīves atkritumiem, bet nododiet to oficiālā savākšanas punktā pārstrādei. Tādā veidā jūs palīdzēsiet saudzēt vidi (Zīm. 38).

## Traucējummeklēšana

Šajā nodaļā ir apkopotas visizplatītākās problēmas, ar kurām varat sastapties, izmantojot ierīci. Ja nevarat tās atrisināt, izmantojot zemāk redzamo informāciju, sazinieties ar klientu apkalpošanas centru savā valstī.

Problēma	Iespējamais iemesls	Risinājums
Tvaicēšanas ierīce nedarbojas.	Tvaicēšanas ierīce nav pieslēgta elektrotīklam.	Iespraudiet kontaktdakšu kontaktligzdā.
	Ūdens tvertnē nav ūdens.	Piepildiet ūdens tvertni.
Visi produkti nav pagatavoti.	Vēl neesat nospiedis ieslēgšanas/apturēšanas pogu.	Nospiediet ieslēgšanas/apturēšanas pogu.
	Daži tvaicēšanas ierīcē ielikto produktu gabali ir lielāki un/ vai jātvaicē ilgāk.	Iestatiet ilgāku tvaicēšanas laiku, nospiežot + pogu.

Lielākus produktu gabalus un produktus, kas jātvaicē ilgāk, lieciet mazajā tvaicēšanas grozā (1) un sāciet tvaicēšanu neilgi pirms pārējo trauku novietošanas.

Problēma	Iespējamais iemesls	Risinājums
	Tvaicēšanas grozos ievietots pārāk daudz pārtikas.	Nelieciet tvaicēšanas grozos pārāk daudz pārtikas. Sagrieziet produktus mazos gabaliņos un mazākos gabaliņus lieciet virspusē.  Atstājiet mazliet vietas starp produktu gabaliem un vienmērīgi izkārtojiet tos groza apakšā.
Ierīce pareizi neuzsilst.	Ierīce nav regulāri atkalļkota.	Atkalļkojiet ierīci. Skatiet nodaļu „Tīrīšana un kopšana”.
Tvaicēšanas laikā no ūdens tvertnes izšļācas ūdens.	Esat ielējis ūdens tvertnē pārāk daudz ūdens.	Izlejiet lieko ūdeni no ūdens tvertnes. Pārliecinieties, vai ūdens nepārsniedz MAX atzīmi.
Iedegas indikators “tukša ūdens tvertne”, lai gan ūdens tvertnē ir pietiekami daudz ūdens.	Uz sildelementa ir pārāk daudz katlakmens.	Atkalļkojiet ūdens tvertni. Skatiet nodaļas “Tīrīšana un kopšana” sadaļu “Atkalļošana”.
Aromāta pastiprinātājam ir neliels efekts vai vispār nav efekta.	Neesat ievietojis pietiekami daudz garšaugu aromāta pastiprinātājā.	Ievietojiet vairāk garšaugu aromāta pastiprinātājā.
	Neesat ievietojis aromāta pastiprinātājā pareizos garšaugus.	Ievietojiet aromāta pastiprinātājā garšaugus ar spēcīgu aromātu. Skatiet produktu tvaicēšanas tabulu nodaļā “Pārtikas tabula un tvaicēšanas padomi”.
	Jūs ēdat krietnu laiku pēc ēdiena pagatavošanas brīža.	Ēdiet tūlīt pēc ēdiena pagatavošanas.
Ūdens tvertnē vai pilēšanas paplātē ūdeni ir putas.	Putas var rasties, ja ūdens tvertnes ūdenī nokļūst proteīni vai ja ūdens tvertnē ir tīrīšanas līdzekļu atliekas.	Iztīriet ūdens tvertni. Skatiet nodaļu “Tīrīšana un apkope”.

### Pārtikas tabula un tvaicēšanas padomi

- Receptes skatiet recepšu grāmatīņā vai mūsu tīmekļa vietnē [www.philips.com/kitchen](http://www.philips.com/kitchen).
- Tālāk sniegtajā tabulā norādītie laiki ir tikai norāde. Tvaicēšanas laiki var mainīties atkarībā no produktu gabalu izmēra, attāluma starp tiem tvaicēšanas grozā, produktu daudzuma grozā, to svaiguma un jūsu vēlmēm.

### Pārtikas tvaicēšanas tabula

Tvaicējamie produkti	Daudzums	Tvaicēšanas laiks (min)	Ieteicamie garšaugi/garšvielas aromāta pastiprinātājam
Sparģeļi	500 g	15–20	Timiāns, baziliks, citroni
Mazā kukurūza	200 g	5–8	Loki, čili, paprika
Zaļās pupiņas	500 g	15–20	Pētersīļi, citroni, ķiploki

Tvaicējamie produkti	Daudzums	Tvaicēšanas laiks (min)	Ieteicamie garšaugi/garšvielas aromāta pastiprinātājam
Brokoļi	400 g	20	Ķiploks, sasmalcināts sarkanais čili pipars, estragons
Burkāni	500 g	20	Pētersīļi, sinepju pulveris, loki
Ziedkāposti	400 g	20	Rozmarīns, baziliks, estragons
Selerija (gabaliņos)	300 g	15–20	Ķīmenes, baltie pipari, čili
Vistas kāja	1 gab.	25	Melnie pipari, citroni, paprika
Kukurūzas vāļīte	500 g	30–40	Pētersīļi, ķiploks, loki
Kabači (sagriezti šķēlītēs)	500 g	10	Dilles, salvija, rozmarīns
Kuskuss	150 g un 250 ml ūdens	10–15	Ķīmenes, koriandrs, krustnagliņas
Olas	6 gab.	12–15	-
Augļi	500 g/4 gab.	10–15	Kanēlis, citroni, krustnagliņas
Ziņi (saldēti)	400 g	20–25	Rozmarīns, ķīmenes, pētersīļi
Kartupeļi	400 g	25–30	Pētersīļi, loki, ķiploks
Garneles	200 g	5	Karija pulveris, safrāns, citroni
Pudiņi	4 trauciņi	20	Kanēlis, krustnagliņas, vaniļa
Rīsi	150 g un 300 ml ūdens	35	Pandan lapas, pētersīļi, ķīmenes
	250 g un 500 ml ūdens	35	Pandan lapas, pētersīļi, ķīmenes
Lasis	450 g	12–15 min	Dilles, pētersīļi, baziliks
Baltā zivs	450 g	10–15	Sinepju pulveris, smaržīgie pipari, majorāns

### Iepriekš iestatīto tvaicēšanas režīmu iepriekš iestatītie laiki (Zīm. 39)

#### Pārtikas tvaicēšanas padomi

##### Aromāta pastiprinātājs

- Timiāns, koriandrs, baziliks, dilles, karijs un estragons ir tikai daži no garšaugiem un garšvielām, kurus varat pievienot aromāta pastiprinātājā. Lai uzlabotu ēdiena garšu, nepievienojot sāli, šīm garšvielām varat pievienot ķiplokus, ķīmenes vai mārrutkus. Iesakām lietot no 1/2 līdz 3 tējķ. kaltētu garšaugu vai garšvielu. Lietojiet lielāku daudzumu, ja izmantojat svaigus garšaugus vai garšvielas.
- Aromāta pastiprinātājs visefektīvāk iedarbojas uz ēdienu, kas tiek pagatavots apakšējā grozā tieši uz pilēšanas paplātes.
- Vairāk padomu par garšaugiem, garšvielām un šķidrumiem, ko var lietot aromāta pastiprinātājā, skatiet pārtikas tvaicēšanas tabulā augstāk.
- Pievienojot ēdienam mazliet eļļas, uzlabo aromāta pastiprinātāja efektu un piešķir ēdienam pilnīgāku garšu.
- Lai iegūtu vislabāko rezultātu, sagrieziet garšaugus smalkos gabaliņos un vienmērīgi piepildiet aromāta pastiprinātāju.

- Lai baudītu vislabāko garšu, ieteicams ēst tūlīt pēc pagatavošanas.
- Neleļļiet šķidrums aromāta pastiprinātājā.

### **Dārzeni un augļi**

- Nogrieziet ziedkāpostu, brokoļu un kāpostu biezos kātus.
- Tvaicējiet lapu, zaļos dārzenus īsāko iespējamo laiku, jo tie ātri zaudē krāsu.
- Neatkausējiet saldētus dārzenus pirms tvaicēšanas.

### **Gaļa, mājputnu gaļa, jūras veltes un olas**

- Mīksti gaļas gabali ar nelielu daudzumu tauku ir vislabāk piemēroti tvaicēšanai.
- Rūpīgi nomazgājiet gaļu un nosusiniet to, lai no tās pilētu pēc iespējas mazāk sulas.
- Gaļu, putnu gaļu, zivis vai olas vienmēr lieciet zem citiem produktiem, lai to izdalītās sulas nepilētu uz citiem produktiem.
- Ieskrāpējiet olas, pirms liekat tās tvaicēšanas ierīcē.
- Nekad netvaicējiet saldētu gaļu, mājputnu gaļu vai jūras veltes. Vienmēr ļaujiet saldētai gaļai, mājputnu gaļai vai jūras veltēm kārtīgi atkust, pirms liekat tās tvaicēšanas ierīcē.

### **Saldie ēdieni**

- Lai pastiprinātu saldo garšu, cukura vietā saldajiem ēdieniem pievienojiet kanēli.

### **Vispārīgi padomi**

- Tikai HD9190: lai pagatavotu rīsus, zupas traukā tiem ir jāpievieno ūdens. Proporcijas skatiet pārtikas tvaicēšanas tabulā augstāk.
- Kad esat pabeidzis rīsu gatavošanu, izmantojot rīsu iepriekšējā iestatījuma pogu, izslēdziet ierīci, samaisiet rīsus un atstājiet trauku ar uzliktu vāku uz 5 minūtēm. Tādējādi iegūsiat vēl labāku rezultātu.
- Tikai HD9190: izņemot zupas pagatavošanu, varat izmantot zupas trauku arī dārzeņu mērces pagatavošanai, lai izvērtu zivi, pagatavotu marinētu pārtiku vai pudiņu, zupu un rīsus.
- Atstājiet mazliet vietas starp produktu gabaliem un vienmērīgi izkārtojiet tos groza apakšā.
- Ja tvaicēšanas grozs ir ļoti pilns, tvaicēšanas procesa vidū apmaisiet produktus.
- Neliels daudzums produktu jātvaicē mazāk nekā liels daudzums.
- Ja lietojat tikai vienu tvaicēšanas grozu, tad produkti jātvaicē īsāku laiku nekā, lietojot divus vai trīs tvaicēšanas grozus.
- Ja izmantojat vairāk nekā vienu tvaicēšanas grozu, gatavojiet produktus par 5–10 minūtēm ilgāk.
- Produkti mazajā tvaicēšanas grozā (1) tiek pagatavots ātrāk nekā augšējais tvaicēšanas grozos.
- Pirms ēšanas pārlicinieties, vai ēdiens ir kārtīgi pagatavots. Tas ir īpaši svarīgi gaļai, piemēram, cūkgaļai, maltai liellopu gaļai un vistas gaļai.
- Produktus vai tvaicēšanas grozus ar produktiem var pievienot arī tvaicēšanas laikā. Ja kāda sastāvdaļa jātvaicē īsāku laiku, pievienojiet to vēlāk.
- Produkti tiek tvaicēti vēl kādu laiku pēc tam, kad tvaicēšanas ierīce pārslēdzas siltuma saglabāšanas režīmā. Ja produkti jau ir gatavi, beidzoties tvaicēšanas procesam, izņemiet tos no tvaicējamās ierīces, un ierīce pārslēgsies siltuma saglabāšanas režīmā.
- Ja produkti nav gatavi, iestatiet ilgāku tvaicēšanas laiku. Iespējams, ūdens tvertnē būs jāielej vēl nedaudz ūdens.
- Tikai HD9190: tvaicētāju var izmantot, lai uzsildītu gatavu zupu. Ieļļiet to zupas traukā un tvaicējiet to, uzstādot iepriekš iestatītu tvaicēšanas režīmu, kas paredzēts zivij. Lai uzsildītu 250 ml zupas, nepieciešamas aptuveni 10 minūtes.

## Wprowadzenie

Gratulujemy zakupu i witamy wśród użytkowników produktów Philips! Aby w pełni skorzystać z oferowanej przez firmę Philips pomocy, zarejestruj swój produkt na stronie [www.philips.com/welcome](http://www.philips.com/welcome).

## Opis ogólny (rys. 1)

- 1 Panel sterowania z wyświetlaczem i przyciskami
  - a Przycisk uruchomienia/zatrzymania i wstrzymania
  - b Przycisk wydłużania i skracania czasu minutnika
  - c Wskaźnik pustego zbiornika wody
  - d Przyciski koszy do gotowania na parze (1, 2, 3)
  - e Przycisk programu posiłku
  - f Przycisk programu kucharza
  - g Przyciski wstępnych ustawień programu kucharza (ryba, ziemniaki, ryż, zielone warzywa)
  - h Wskaźnik minutnika
  - i Wskaźnik funkcji utrzymywania ciepła
  - j Wskaźnik turbo
- 2 Podstawa ze zbiornikiem wody
- 3 Czujnik temperatury
- 4 Tacka ociekowa
- 5 Pojemnik na przyprawę
- 6 Mały kosz do gotowania na parze (1)
- 7 Średni kosz do gotowania na parze (2)
- 8 Duży kosz do gotowania na parze (3)
- 9 Pojemnik na zupę (tylko model HD9190)
- 10 Pokrywka
- 11 Otwory wylotu pary
- 12 Uchwyt pokrywki
- 13 Zdejmowane dno
- 14 Dziobek do uzupełniania wody
- 15 Uchwyt na przewód

*Uwaga: Kosze do gotowania na parze są oznaczone liczbami od 1 do 3. Liczby znajdują się na uchwytach koszy. Każdy większy kosz można układać na mniejszym, jednak najlepiej pasują ułożone w kolejności rosnącej: najpierw najmniejszy kosz (1), następnie średni kosz (2), a na końcu duży kosz (3).*

*Uwaga dotycząca modelu HD9190: Z pojemnika na zupę można korzystać w połączeniu z dużym koszem (3).*

*Uwaga: Zawsze umieszczaj tackę ociekową pod koszami do gotowania na parze. Korzystaj wyłącznie z pojemników do gotowania na parze, w których znajduje się żywność.*

## Ważne

Przed rozpoczęciem korzystania z urządzenia zapoznaj się dokładnie z jego instrukcją obsługi. Instrukcję warto też zachować na przyszłość.

### Niebezpieczeństwo

- Nigdy nie zanurzaj podstawy urządzenia w wodzie ani nie oplukuj pod bieżącą wodą.

### Ostrzeżenie

- Przed podłączeniem urządzenia upewnij się, że napięcie podane na urządzeniu jest zgodne z napięciem w sieci elektrycznej.

- Urządzenie podłączaj tylko do uziemionego gniazdka elektrycznego. Zawsze sprawdzaj, czy wtyczka pewnie tkwi w gniazdku.
- Urządzenia nie należy podłączać do zewnętrznego wyłącznika czasowego lub oddzielnego układu zdalnego sterowania.
- Nie używaj urządzenia, jeśli uszkodzona jest wtyczka, przewód sieciowy lub samo urządzenie.
- Ze względów bezpieczeństwa wymianę uszkodzonego przewodu sieciowego należy zlecić autoryzowanemu centrum serwisowemu firmy Philips lub odpowiednio wykwalifikowanej osobie.
- Urządzenie nie jest przeznaczone do użytku przez osoby (w tym dzieci) o ograniczonych zdolnościach fizycznych, sensorycznych lub umysłowych, a także nieposiadające wiedzy lub doświadczenia w użytkowaniu tego typu urządzeń, chyba że będą one nadzorowane lub zostaną poinstruowane na temat korzystania z tego urządzenia przez opiekuna.
- Nie pozwalaj dzieciom bawić się urządzeniem.
- Ułóż przewód sieciowy w miejscu niedostępnym dla dzieci. Nie pozwól, aby przewód sieciowy zwiisał z krawędzi stołu czy blatu, na którym ustawione jest urządzenie.
- Trzymaj przewód sieciowy z dala od rozgrzanych powierzchni.
- Przed podłączeniem urządzenia do gniazdka elektrycznego rozwiń całkowicie przewód sieciowy.
- Nigdy nie próbuj gotować na parze zamrożonego mięsa, drobiu czy owoców morza. Produkty te zawsze należy całkowicie rozmrozić przed gotowaniem.
- Nie używaj parowaru bez tacki ociekowej, ponieważ grozi to wydostaniem się z urządzenia gorącej wody.
- Koszy do gotowania na parze i pojemnika na zupę (tylko model HD9190) używaj zawsze w połączeniu z oryginalną podstawą.

### **Uwaga**

- To urządzenie jest przeznaczone wyłącznie do użytku domowego. Nie jest przeznaczone do użytku w takich miejscach, jak kuchnie dla pracowników w sklepach, biurach, gospodarstwach agroturystycznych lub innych miejscach pracy. Nie jest również przeznaczone do użytku w hotelach, motelach, pensjonatach ani innych tego typu miejscach.
- Używanie tego urządzenia w celach profesjonalnych lub półprofesjonalnych bądź w sposób niezgodny z niniejszą instrukcją spowoduje unieważnienie gwarancji. Firma Philips nie ponosi odpowiedzialności za szkody powstałe w takich przypadkach.
- Nigdy nie używaj akcesoriów ani części zamiennych innych producentów ani takich, które nie są zalecane przez firmę Philips. W przypadku użycia takich akcesoriów lub części gwarancja traci ważność.

- Nie wystawiaj podstawy urządzenia na działanie wysokich temperatur, gorącego powietrza, pary lub wilgotnego powietrza z innych źródeł niż parowar. Nie stawiaj parowaru na włączonym lub gorącym palniku lub kuchence ani w ich pobliżu.
- Nie stawiaj włączonego urządzenia w pobliżu przedmiotów, które mogłyby ulec uszkodzeniu w wyniku działania pary – np. ściany czy szafki – ani pod takimi przedmiotami.
- Nie włączaj urządzenia w przypadku obecności w powietrzu wybuchowych i/lub łatwopalnych oparów.
- Ustaw urządzenie na stabilnej, równej powierzchni i zapewnij wokół niego co najmniej 10 cm wolnej przestrzeni, aby zapobiec przegrzewaniu.
- Zawsze umieszczaj w koszach do gotowania na parze zdejmowane dna (od góry). Aby prawidłowo zamocować dno, najpierw opuść jedną stronę do kosza, a następnie drugą, aż dno się zatrzaśnie na swoim miejscu. Upewnij się, że wybrzuszenie w dnie jest skierowane do góry. (rys. 2)
- Uważaj na gorącą parę, która wydostaje się z parowaru podczas gotowania, w trybie utrzymywania ciepła lub po zdjęciu pokrywki. Do sprawdzania stanu gotowanej żywności zawsze używaj przyborów kuchennych z długimi uchwytami.
- Nie sięgaj nad parowar podczas jego używania.
- Nie dotykaj gorących powierzchni urządzenia. Podczas dotykania gorących elementów urządzenia zawsze używaj rękawic kuchennych.
- Nie przenoś parowaru podczas jego używania.
- Zawsze zdejmuj pokrywkę ostrożnie i z dala od ciała. Aby zapobiec poparzeniu, poczekaj, aż skroplona para z pokrywki skapnie do środka urządzenia.
- Gdy jedzenie jest gorące, trzymaj kosz za uchwyty.
- Nie wylewaj wody ze zbiornika przez dziobek do napełniania. Aby opróżnić zbiornik wody, przechyl podstawę do tyłu i wylej wodę przez tylną część podstawy (rys. 3).
- Zawsze przed myciem urządzenia wyjmij wtyczkę z gniazdka elektrycznego i poczekaj, aż urządzenie ostygnie.

### **Automatyczne wyłączenie**

Urządzenie jest wyposażone w funkcję automatycznego wyłączenia. Wyłącza się automatycznie, jeśli w ciągu 2 minut po podłączeniu do zasilania nie zostanie wybrany żaden przycisk.

Urządzenie wyłącza się również automatycznie po upływie uprzednio wybranego czasu gotowania (wliczając czas utrzymywania ciepła).

### **Zabezpieczenie przed włączeniem pustego urządzenia**

Ten parowar wyposażony jest w zabezpieczenie przed włączeniem pustego urządzenia. To zabezpieczenie automatycznie wyłącza element grzejny, jeśli nie ma wody w zbiorniku lub gdy woda wyparowała podczas korzystania z urządzenia. Napełnij zbiornik wody zimną wodą do oznaczenia MAX, aby urządzenie mogło ponownie pracować.

### **Pola elektromagnetyczne (EMF)**

To urządzenie firmy Philips spełnia wszystkie normy dotyczące pól elektromagnetycznych. Jeśli użytkownik odpowiednio się z nim obchodzi i używa go zgodnie z zaleceniami zawartymi w instrukcji obsługi, urządzenie jest bezpieczne w użytkowaniu, co potwierdzają wyniki aktualnych badań naukowych.

### **Przed pierwszym użyciem**

- 1** Przed pierwszym użyciem dokładnie umyj wszystkie części urządzenia, które będą się stykały z żywnością (patrz rozdział „Czyszczenie i konserwacja”).
- 2** Przetrzyj wewnątrz zbiornika wody wilgotną szmatką.

### **Przygotowanie do użycia**

- 1** Ustaw urządzenie na płaskiej, stabilnej i równej powierzchni.
- 2** Przed podłączeniem urządzenia do gniazdka elektrycznego rozwiń całkowicie przewód sieciowy.
- 3** Napełnij zbiorniczek wodą do poziomu oznaczonego symbolem „MAX” (rys. 4).
  - ▶ Gdy zbiornik wody jest napełniony do poziomu MAX, parowar gotuje przez ok. 60 minut.

Nie nalewaj wody powyżej oznaczenia „MAX”.

Zbiornik napełniaj wyłącznie wodą. Nie wrzucaj do niego przypraw, oleju ani innych substancji.

- 4** Umieść tackę ociekową na zbiorniku wody w podstawie (rys. 5).

*Uwaga: Nigdy nie używaj urządzenia bez tacki ociekowej. Nie umieszczaj w tacce ociekowej wody, przypraw, oleju ani innych substancji.*

- 5** Aby nadać gotowanej żywności dodatkowy aromat, umieść na tacce ociekowej pojemnik na przyprawę. (rys. 6)

- Napełnij pojemnik na przyprawę świeżymi lub suszonymi ziołami.
- Zioła i przyprawy zalecane do różnych potraw znajdują się w tabeli gotowania na parze w rozdziale pt. „Tabela żywności i wskazówki dotyczące gotowania na parze”.

- 6** Włóż produkty przeznaczone do gotowania na parze do kosza lub koszy do gotowania na parze i/lub do pojemnika na zapę (tylko model HD9190). (rys. 7)

- Zawsze umieszczaj w koszach do gotowania na parze zdejmowane dna (od góry). Aby prawidłowo zamocować dno, najpierw opuść jedną stronę do kosza, a następnie drugą, aż dno się zatrzaśnie na swoim miejscu. Upewnij się, że wyrzuszenie w dnie jest skierowane do góry (rys. 2).
- Nie wkładaj zbyt dużo jedzenia do koszy. Układaj kawałki żywności w pewnych odstępach. Rozłóż składniki równomiernie na dnie kosza.
- Tylko model HD9189: Aby ugotować ryż, można użyć lekkiego pojemnika, który mieści się wewnątrz koszy do gotowania na parze. Upewnij się, że wokół pojemnika dostępna jest wolna przestrzeń, która umożliwi właściwy przepływ pary wewnątrz parowaru.
- Większe kawałki produktów lub żywność, która wymaga dłuższego gotowania, wkładaj do kosza do gotowania na parze, który znajduje się na samym dole (1).
- Aby ułatwić gotowanie jajek, umieszczaj je w odpowiednich uchwytach (rys. 8).
- Jeśli chcesz gotować na parze duże porcje jedzenia (np. całego kurczaka lub kolby kukurydzy), możesz wyjąć zdejmowane dna ze średniego kosza do gotowania na parze (2) i dużego kosza do gotowania na parze (3), aby utworzyć jeden duży kosz.

*Uwaga: Maksymalna pojemność koszy do gotowania na parze wynosi 1 kg.*

- 7** Ustaw jeden lub więcej koszy do gotowania na tacce ociekowej. Upewnij się, że kosze są ustawione prawidłowo i nie ruszają się (rys. 9).

- Nie musisz korzystać ze wszystkich 3 koszy do gotowania na parze.



- Kosze do gotowania na parze są oznaczone liczbami od 1 do 3. Liczby znajdują się na uchwytach koszy. Każdy większy kosz można układać na mniejszym, jednak najlepiej pasują ułożone w kolejności rosnącej: najpierw najmniejszy kosz (1), następnie średni kosz (2), a na końcu duży kosz (3). Zawsze umieszczaj tackę ociekową pod koszami do gotowania na parze. Korzystaj wyłącznie z koszy do gotowania na parze, w których znajduje się żywność (rys. 10).
- Tylko model HD9190: Pojemnik na zupę służy do gotowania zup, innych potraw płynnych oraz ryb. Aby z niego skorzystać, umieść go w dużym koszu do gotowania na parze (3) (rys. 11).
- Tylko model HD9190: Po wyjęciu zdejmowanego dna z dużego kosza (3) w celu powiększenia go o znajdujący się poniżej średni kosz (2), nadal możesz umieścić na górze pojemnik na zupę, aby przygotować rybę, ryż lub zupę (rys. 12).
- Po wyjęciu zdejmowanego dna ze średniego kosza (2) w celu powiększenia go o znajdujący się poniżej mały kosz (1), nadal możesz umieścić na górze duży kosz (3).

## **8** Nałóż pokrywkę na górny kosz do gotowania na parze (rys. 13).

*Uwaga: W przypadku braku lub nieprawidłowego nałożenia pokrywki żywność nie ugotuje się prawidłowo.*

### Zasady używania

Parowar ma dwa tryby gotowania na parze:

- 1 Tryb ręczny pozwala szybko włączyć parowar.
- 2 Tryb programu:
  - Program posiłku: pozwala przygotować pełny posiłek (inny czas przygotowania dla każdego z koszy).
  - Program kucharza z przyciskami wstępnych ustawień: pozwala przygotować składniki ze wstępnie zdefiniowanym czasem oraz temperaturą przygotowania.

Szczegółowe wskazówki dotyczące powyższych trybów znajdują się poniżej, w oddzielnych sekcjach.

### Ogólna procedura

Poniższe podstawowe kroki mają zastosowanie do wszystkich trzech trybów gotowania na parze.

- 1** Włóż wtyczkę do gniazdka elektrycznego.
  - ▶ Wskaźnik na przycisku zasilania zaświeci się, a na wyświetlaczu pojawi się domyślny czas gotowania na parze (20 minut) (rys. 14).
- 2** Wybierz jeden z dwóch trybów gotowania na parze i wykonaj konieczne kroki (informacje o różnych trybach gotowania na parze znajdują się poniżej).

*Uwaga: Nie jest możliwe jednoczesne korzystanie z obu trybów gotowania na parze. Nie jest także możliwe jednoczesne wybranie programu posiłku oraz programu kucharza.*

*Uwaga: W przypadku gotowania dużej ilości jedzenia po upływie połowy czasu gotowania zamieszaj zawartość pojemników za pomocą przyborów kuchennych z długimi uchwytami. Podczas wykonywania tej czynności używaj rękawic kuchennych.*

*Uwaga: Podczas pierwszych 5 minut procesu gotowania na parze świeci się wskaźnik kontrolny trybu turbo. Oznacza to, że parowar wykorzystuje dodatkową moc w celu szybkiego uzyskania wysokiej temperatury.*

- 3** Po zakończeniu procesu gotowania na parze urządzenie 5-krotnie wyemituje sygnał dźwiękowy, po czym automatycznie przełączy się w tryb utrzymywania ciepła (patrz sekcja „Tryb utrzymywania ciepła”).
- 4** Po użyciu urządzenia należy ostrożnie zdjąć pokrywkę.

Uważaj na gorącą parę, która wydostaje się z urządzenia po zdjęciu pokrywki.

*Uwaga: Aby uniknąć poparzenia, przed zdjęciem pokrywki włóż rękawice kuchenne. Pokrywkę zdejmuj powoli i z dala od siebie. Poczekaj, aż skroplona para z pokrywki spłynie do kosza w parowarze.*

*Uwaga: Do wyjmowania jedzenia z koszy używaj przyborów kuchennych z długimi uchwytami.*

- 5 Zdejmując kosz do gotowania na parze, zaczekaj, aż skroplona para spłynie do znajdującego się poniżej kosza do gotowania na parze lub tacki ociekowej.
- 6 Przed wyjęciem tacki ociekowej wyjmij wtyczkę przewodu sieciowego z gniazdka elektrycznego i poczekaj, aż parowar całkowicie ostygnie.
- 7 Po każdym użyciu parowaru opróżnij zbiornik wody, przechylając podstawę do tyłu i wlewając wodę przez tylną część podstawy (rys. 3).

Zachowaj ostrożność przy wyjmowaniu tacki ociekowej i opróżnianiu zbiorniczka na wodę, ponieważ woda w zbiorniczku i na tacce może wciąż być gorąca, nawet jeśli pozostałe części urządzenia zdążyły ostygnąć.

*Uwaga: Jeśli woda wyparuje podczas gotowania na parze, zaświeci się wskaźnik pustego zbiorniczka wody, sygnalizując konieczność uzupełnienia wody w zbiorniczku (rys. 15).*

*Uwaga: Aby ugotować więcej jedzenia, korzystając z większej ilości wody, w celu uzupełnienia wody w zbiorniczku można dolewać niewielkie ilości wody przez dzióbek do uzupełniania wody.*

*Uwaga: Urządzenie automatycznie przełącza się w tryb gotowości w przypadku, gdy nie było wykorzystywane przez ostatnie 2 minuty. Naciśnij przycisk uruchomienia/zatrzymania, aby ponownie aktywować panel sterowania.*

### **Tryb ręczny**

---

Tryb ten umożliwia szybkie włączenie parowaru.

- 1 Naciśnij przycisk wydłużania lub skracania czasu minutnika, aby określić wymagany czas gotowania na parze (rys. 16).
- 2 Naciśnij przycisk uruchomienia/zatrzymania, aby rozpocząć proces gotowania na parze (rys. 17).
- Gotowanie na parze rozpocznie się. Wskaźnik uruchomienia/zatrzymania oraz wskaźnik turbo zaczną wolno migać, a minutnik zacznie odliczać ustawiony czas gotowania na parze (rys. 18).
- Gdy upłynie ustawiony czas gotowania na parze, usłyszysz sygnał dźwiękowy, a urządzenie przełączy się w tryb utrzymywania ciepła. Wskaźnik utrzymywania ciepła zaświeci się (rys. 19).

### **Tryb programu: program posiłku**

---

Ten tryb pozwala przygotować pełny posiłek (inny czas przygotowania dla każdego z koszy). Urządzenie automatycznie rozpocznie proces gotowania na parze składników w koszu z ustawionym najdłuższym czasem przygotowania. Sygnały dźwiękowe emitowane przez urządzenie w odpowiednim momencie informują o konieczności umieszczenia kosza lub koszy do gotowania zawierających składniki wymagające krótszego czasu przygotowania. Ostatni kosz do gotowania na parze zawiera składniki z najkrótszym czasem przygotowania.

*Uwaga: Chcąc przygotować posiłek, nie korzystając ze wszystkich trzech koszy do gotowania na parze, należy ustawić minutnik tak, by odliczał czas wyłącznie dla wykorzystywanych koszy.*

- 1 Naciśnij przycisk programu posiłku. (rys. 20)
- Wskaźnik przycisku posiłku zaświeci się, podobnie jak trzy przyciski koszy do gotowania na parze (rys. 21).
- 2 Aby wybrać jeden z koszy, naciśnij przycisk kosza do gotowania na parze: 1, 2 lub 3. (rys. 22)
- Zacznie migać odpowiedni wskaźnik.
- 3 Za pomocą przycisków wydłużania i skracania czasu minutnika ustaw wymagany czas przygotowania składników w wybranym koszu. (rys. 23)

- 4** Aby potwierdzić, naciśnij ponownie przycisk kosza do gotowania na parze, dla którego ustawiasz czas gotowania. (rys. 24)
- ▶ Punkt poniżej przycisku kosza do gotowania zaświeci się, aby zasygnalizować, że czas został ustawiony.
- 5** Powtarzaj kroki od 2 do 4, aż ustawisz czas dla wszystkich koszy do gotowania na parze, z których chcesz skorzystać.
- 6** Włóż składniki do kosza do gotowania na parze. Chcąc skorzystać ze wszystkich trzech koszy do gotowania na parze, umieść składniki o najdłuższym czasie przygotowania w najmniejszym koszu do gotowania na parze (1); składniki wymagające nieco krótszego czasu przygotowania należy umieścić w średnim koszu do gotowania na parze (2), a składniki o najkrótszym czasie przygotowania – w największym koszu do gotowania na parze (3).
- 7** Umieść kosz do gotowania na parze ze składnikami wymagającymi najdłuższego czasu przygotowania na podstawie parowaru.
- 8** Naciśnij przycisk uruchomienia/zatrzymania (rys. 17).
- ▶ Rozpocznie się proces gotowania na parze składników z kosza o najdłuższym czasie przygotowania. Wskaźnik uruchomienia/zatrzymania zamiga wolno, a minutnik rozpocznie odliczanie czasu gotowania.
  - ▶ Po pewnym czasie urządzenie wyemituje sygnał dźwiękowy, a wskaźnik kosza do gotowania na parze o drugim z kolei czasie przygotowania zamiga szybko, sygnalizując konieczność umieszczenia w urządzeniu kolejnego kosza do gotowania na parze (rys. 25).
- 9** Umieść kosz do gotowania na parze ze składnikami o drugim z kolei czasie przygotowania na górze kosza, który znajduje się już w parowarze, a następnie naciśnij migający przycisk kosza do gotowania na parze lub przycisk uruchomienia/zatrzymania.
- 10** W parowarze będzie kontynuowany proces gotowania na parze.
- ▶ Wskaźnik uruchomienia/zatrzymania będzie wolno migać, a minutnik będzie odliczać czas do zakończenia procesu gotowania na parze.
  - ▶ Po pewnym czasie urządzenie wyemituje sygnał dźwiękowy, a wskaźnik kosza do gotowania na parze o najkrótszym czasie przygotowania zamiga szybko, sygnalizując konieczność umieszczenia tego kosza w urządzeniu.
- 11** Umieść kosz do gotowania na parze ze składnikami o najkrótszym czasie przygotowania na pozostałych koszach do gotowania na parze i naciśnij migający przycisk kosza do gotowania na parze lub przycisk uruchomienia/zatrzymania.
- 12** W parowarze będzie kontynuowany proces gotowania na parze.
- ▶ Wskaźnik uruchomienia/zatrzymania będzie wolno migać, a minutnik będzie odliczać czas do zakończenia procesu gotowania na parze.
  - ▶ Po upływie czasu gotowania na parze urządzenie wyemituje sygnał dźwiękowy i przejdzie w tryb utrzymywania ciepła. Wskaźnik utrzymywania ciepła i wskaźnik uruchomienia/zatrzymania będą wolno migać.

### **Tryb programu: program kucharza**

Korzystając z tego trybu, można przygotować określone składniki w optymalny sposób, korzystając ze wstępnie zdefiniowanego czasu przygotowania oraz temperatury.

*Uwaga: Z programu kucharza można korzystać wyłącznie z koszem na samym dole umieszczonym bezpośrednio na tacce ociekowej.*

*Uwaga: Do przycisków wstępnych ustawień programu kucharza są przypisane dłuższe czasy przygotowania niż do trybu ręcznego. Jest tak, ponieważ ich temperatura gotowania wynosi często poniżej 100°C, co pozwala uzyskać najlepszy rezultat.*

- 1** Naciśnij przycisk programu kucharza (rys. 26).
  - ▶ Wskaźnik przycisku programu kucharza zaświeci się, a cztery przyciski wstępnych ustawień podświetlą się (rys. 27).
- 2** Naciśnij jeden z czterech przycisków wstępnych ustawień.
  - Naciśnij przycisk ryby, aby przygotować rybę (rys. 28).
  - Naciśnij przycisk ziemniaka, aby przygotować ziemniaki (rys. 29).
  - Naciśnij przycisk ryżu, aby przygotować ryż (rys. 30).
  - Naciśnij przycisk warzyw, aby przygotować zielone warzywa (rys. 31).
- 3** W zależności od ilości i rozmiaru składników znajdujących się w koszu do gotowania na parze można dostosować czas przygotowania, korzystając z przycisku wydłużania lub skracania czasu minutnika.
- 4** Naciśnij przycisk uruchomienia/zatrzymania.
  - ▶ Rozpocznie się gotowanie na parze. Wskaźnik uruchomienia/zatrzymania zacznie wolno migać. Na wyświetlaczu będą pojawiać się na zmianę czas odliczany przez minutnik oraz bieżąca temperatura dla wybranego przycisku wstępnego ustawienia.
  - ▶ Gdy upłynie czas gotowania na parze, usłyszysz sygnał dźwiękowy, a urządzenie przełączy się w trym utrzymywania ciepła. Wskaźnik utrzymywania ciepła zaświeci się.

### Tryb utrzymywania ciepła

---

Po zakończeniu gotowania na parze parowar automatycznie przełączy się w tryb utrzymywania ciepła, a wskaźnik utrzymywania ciepła zaświeci się.

Działanie trybu utrzymywania ciepła trwa 20 minut.

- Aby utrzymywać ciepło dłużej niż 20 minut, użyj przycisków wydłużania i skracania czasu minutnika w celu ustawieniażądanego czasu działania trybu utrzymywania ciepła.
- Aby zakończyć działanie trybu utrzymywania ciepła, naciśnij przycisk uruchomienia/zatrzymania.

### Czyszczenie i konserwacja

Do czyszczenia urządzenia nigdy nie używaj czyszcików, środków ściernych ani żrących płynów, takich jak benzyna lub aceton.

- 1** Wyjmij wtyczkę przewodu sieciowego z gniazdka elektrycznego i poczekaj, aż urządzenie ostygnie.
  - 2** Obudowę podstawy urządzenia czyść wilgotną szmatką.  
Nigdy nie zanurzaj podstawy urządzenia w wodzie ani nie oplotuj pod bieżącą wodą.
  - 3** Wyczyść wnętrze zbiornika wody szmatką nasączoną ciepłą wodą z niewielką ilością płynu do zmywania naczyń. Następnie przetrzyj zbiornik czystą, wilgotną szmatką.
  - 4** Umyj ręcznie pokrywkę w ciepłej wodzie z dodatkiem płynu do mycia naczyń.
- Nie myj pokrywki w zmywarce.
- 5** Wyjmij dna z koszy do gotowania na parze. Kosze, wyjmowane dna, pojemnik na przyprawy, tackę ociekową i pojemnik na zupę (tylko model HD9190) umyj ręcznie w ciepłej wodzie z dodatkiem płynu do mycia naczyń. Te elementy można także myć w zmywarce, korzystając z krótkiego cyklu i niskiej temperatury.

Częste mycie koszy do gotowania na parze w zmywarce może spowodować nieznaczne odbarwienie tych elementów.

## Usuwanie kamienia

Jeśli w zbiorniku wody pojawi się kamienny nalot, należy go usunąć. Regularne usuwanie kamienia z parowaru jest istotne dla zapewnienia optymalnego działania urządzenia.

- 1 Napełnij zbiornik wody białym octem (8-procentowym roztworem kwasu octowego) do poziomu oznaczonego symbolem MAX.

Nie stosuj żadnego innego środka do usuwania kamienia.

- 2 Umieść tackę ociekową oraz mały kosz do gotowania na parze (1) na podstawie (rys. 32).
- 3 Przykryj pokrywką mały kosz do gotowania na parze (rys. 33).
- 4 Włóż wtyczkę do gniazdka elektrycznego.
- 5 Naciśnij przycisk uruchomienia/zatrzymania, aby włączyć panel sterowania.
- 6 Naciśnij przycisk uruchomienia/zatrzymania i pozostaw włączone urządzenie na 20 minut (rys. 17).

Jeżeli ocet zagotuje się i zacznie przelewać poza krawędź podstawy, wyjmij wtyczkę urządzenia z gniazdka elektrycznego i odlej trochę octu.

- 7 Gdy urządzenie wyemituje sygnał dźwiękowy, wyjmij wtyczkę urządzenia z gniazdka elektrycznego i pozostaw ocet do całkowitego ostygnięcia. Następnie opróżnij zbiornik na wodę.
- 8 Kilkakrotnie przepłucz zbiornik zimną wodą.

*Uwaga: Jeśli w zbiorniku wody nadal widać kamień, powtórz całą procedurę.*

## Przechowywanie

- 1 Przed przechowaniem urządzenia sprawdź, czy wszystkie części są czyste i suche (patrz rozdział pt. „Czyszczenie i konserwacja”).
- 2 Schowaj przewód sieciowy, nawijając go na uchwyt w podstawie (rys. 34).
- 3 Umieść tackę ociekową na podstawie (rys. 35).
- 4 Sprawdź, czy wyjmowane dna znajdują się na swoim miejscu w koszach do gotowania na parze.
- 5 Umieść duży kosz do gotowania na parze (3) na tacce ociekowej. Umieść średni kosz do gotowania na parze (2) w dużym koszu (3). Umieść mały kosz do gotowania na parze w (1) w średnim koszu (2) (rys. 36).
- 6 Tylko model HD9190: Umieść pojemnik na zupę w małym koszu do gotowania na parze (1).
- 7 Nałóż pokrywkę na pojemnik na zupę (tylko model HD9190) lub na mały kosz do gotowania na parze (rys. 37).

## Gwarancja i serwis

W razie konieczności naprawy oraz w przypadku jakichkolwiek pytań lub problemów należy odwiedzić naszą stronę internetową [www.philips.com/support](http://www.philips.com/support) lub skontaktować się z lokalnym Centrum Obsługi Klienta firmy Philips. Numer telefonu znajduje się na ulotce gwarancyjnej. Jeśli w danym kraju nie ma takiego centrum, należy zwrócić się o pomoc do lokalnego sprzedawcy produktów firmy Philips.

## Ochrona środowiska

- Zużytego urządzenia nie należy wyrzucać wraz ze zwykłymi odpadami gospodarstwa domowego — należy oddać je do punktu zbiórki surowców wtórnych w celu utylizacji. Stosowanie się do tego zalecenia pomaga w ochronie środowiska (rys. 38).

## Rozwiązywanie problemów

W tym rozdziale opisano najczęstsze problemy, z którymi można się zetknąć, korzystając z urządzenia. Jeśli poniższe wskazówki okażą się niewystarczające do rozwiązania problemu, należy skontaktować się z lokalnym Centrum Obsługi Klienta.

Problem	Prawdopodobna przyczyna	Rozwiązanie
Parowar nie działa.	Parowar nie jest podłączony do sieci elektrycznej.	Włóż wtyczkę do gniazdka elektrycznego.
	Zbiornik wody jest pusty.	Napełnij zbiorniczek wody.
Nie cała żywność została ugotowana.	Nie naciśnięto przycisku uruchomienia/zatrzymania.	Naciśnij przycisk uruchomienia/zatrzymania.
	Niektóre kawałki jedzenia przeznaczone do ugotowania na parze są większe i/lub wymagają dłuższego czasu gotowania od innych.	Ustaw dłuższy czas gotowania za pomocą przycisku minutnika +.
		Większe kawałki produktów lub żywność, która wymaga dłuższego gotowania, wkładaj do małego kosza (1) i zacznij gotowanie na pewien czas przed dodaniem kolejnych koszy.
	Do koszy włożono zbyt dużą ilość składników.	Nie wkładaj zbyt dużej ilości produktów do koszy. Pokrój jedzenie na mniejsze kawałki, a najmniejsze z nich ułóż na gorze.
		Układaj kawałki żywności w pewnych odstępach. Rozłóż składniki równomiernie na dnie kosza.
Urządzenie nie podgrzewa się właściwie.	Kamień nie jest usuwany regularnie.	Usuń kamień z urządzenia. Patrz rozdział pt. „Czyszczenie i konserwacja”.
Podczas gotowania na parze ze zbiornika na wodę przyska woda.	Do zbiornika nalano za dużo wody.	Wylej nadmiar wody ze zbiornika na wodę. Upewnij się, że poziom wody nie przekracza oznaczenia MAX.
Wskaźnik pustego zbiorniczka wody zaczyna świecić, nawet jeśli w zbiorniczku znajduje się wystarczająca ilość wody.	Na elemencie grzejnym nagromadziła się znaczna ilość osadu.	Usuń kamień ze zbiornika na wodę. Patrz rozdział „Usuwanie kamienia” w rozdziale „Czyszczenie i konserwacja”.

Problem	Prawdopodobna przyczyna	Rozwiązanie
Użycie pojemnika na przyprawę przynosi niewielki efekt lub w ogóle nie przynosi efektu.	W pojemniku na przyprawę umieszczono za mało ziół.	Umieść w pojemniku na przyprawę więcej ziół.
	W pojemniku na przyprawę nie umieszczono właściwych rodzajów ziół.	Umieść w pojemniku zioła o silnym aromacie. Zapoznaj się z tabelą gotowania na parze w rozdziale „Tabela żywności i wskazówki dotyczące gotowania na parze”.
	Od momentu przygotowania dania do chwili jego podania minęło dużo czasu.	Podawaj danie zaraz po jego przygotowaniu.
Na powierzchni wody w pojemniku na wodę lub w tacce ociekowej zbiera się piana.	Piana może wytwarzać się w zbiorniku na wodę, gdy dostaną się do niego białka lub jeśli nie zostaną z niego usunięte pozostałości środków czyszczących.	Wyczyść pojemnik na wodę. Patrz rozdział „Czyszczenie i konserwacja”.

### Tabela żywności i wskazówki dotyczące gotowania na parze

- Aby skorzystać z przepisów, zapoznaj się z broszurą z przepisami lub odwiedź naszą witrynę internetową pod adresem [www.philips.com/kitchen](http://www.philips.com/kitchen).
- Czasy gotowania na parze podane w poniższej tabeli są jedynie orientacyjne. Rzeczywisty czas gotowania może się różnić w zależności od wielkości kawałków jedzenia, przestrzeni pomiędzy nimi w koszu do gotowania, ilości pożywienia w koszu, świeżości jedzenia oraz indywidualnych upodobań użytkownika.

### Tabela gotowania na parze

Rodzaj żywności do przygotowania	Ilość	Czas gotowania na parze (w min)	Proponowane zioła/przyprawy do umieszczenia w pojemniku na przyprawę
Szparagi	500 g	15–20	Tymianek, bazylia, cytryna
Młode kolby kukurydzy	200 g	5–8	Szczypiorek, chili, papryka
Fasolka szparagowa	500 g	15–20	Pietruszka, cytryna, czosnek
Brokuły	400 g	20	Czosnek, rozgniecione nasiona czerwonego chili, estragon
Marchew	500 g	20	Pietruszka, suszone ziarna gorczyca, szczypiorek
Różyczki kalafiora	400 g	20	Rozmaryn, bazylia, estragon

Rodzaj żywności do przygotowania	Ilość	Czas gotowania na parze (w min)	Proponowane zioła/przyprawy do umieszczenia w pojemniku na przyprawę
Seler (pokrojony w kostkę)	300 g	15–20	Kminek, biały pieprz, chili
Udka kurczaka	1 szt.	25	Czarny pieprz, cytryna, papryka
Kolba kukurydzy	500 g	30–40	Pietruszka, czosnek, szczypiorek
Cukinia (pokrojona w plastry)	500 g	10	Koper, szałwia, rozmaryn
Kuskus	150 g + 250 ml wody	10–15	Kminek, kolendra, goździki
Jajka	6 szt.	12–15	-
Owoce	500 g/4 szt.	10–15	Cynamon, cytryna, goździki
Groszek (mrożony)	400 g	20–25	Rozmaryn, kminek, pietruszka
Ziemniaki	400 g	25–30	Pietruszka, szczypiorek, czosnek
Krewetki	200 g	5	Przyprawa curry, szafran, cytryna
Pudding	4 miseczki	20	Cynamon, goździki, wanilia
Ryż	150 g + 300 ml wody	35	Pandan, pietruszka, kminek
	250 g + 500 ml wody	35	Pandan, pietruszka, kminek
Łosoś	450 g	12–15 min	Koper, pietruszka, bazylia
Biała ryba	450 g	10–15	Suszone ziarna gorczycy, ziele angielskie, majeranek

### Czasy gotowania odpowiadające domyślnym trybom gotowania (rys. 39)

#### Wskazówki dotyczące gotowania na parze

##### Pojemnik na przyprawę

- Do pojemnika na przyprawę można dodać aromatyczne zioła i przyprawy, takie jak rozmaryn, tymianek, kolendra, bazylia, koperek, curry lub estragon. Doskonale komponują się one z czosnkiem, kminkiem lub chrzanem, które podkreślają smak bez dodawania soli. Zaleca się dodawanie od pół do 3 łyżeczek suszonych ziół lub przypraw. Jeśli zioła są świeże, można dodać ich więcej.
- Pojemnik na przyprawę najlepiej sprawdza się w przypadku składników przygotowywanych w koszu, który znajduje się na samym dole, umieszczonym bezpośrednio na tacce ociekowej.
- Więcej informacji na temat ziół, przypraw i płynnych dodatków, które można umieszczać w pojemniku na przyprawę, znajduje się powyżej, w tabeli gotowania na parze.
- Dodanie niewielkiej ilości oliwy na składnikach przeznaczonych do gotowania może wzmocnić efekt, jaki daje pojemnik na przyprawę, a także pozwala uzyskać pełniejszy smak potraw.
- Aby uzyskać najlepszy efekt, posiekaj drobno zioła i równomiernie wypełnij pojemnik na zioła.
- Aby móc cieszyć się najlepszym smakiem, zjedz posiłek zaraz po jego przygotowaniu.
- Nie wlewaj płynów do pojemnika na przyprawę.



### **Warzywa i owoce**

- Odetnij grubsze łodygi kalafiora, brokułów i kapusty.
- Zielone warzywa liściaste gotuj jak najkrócej, ponieważ szybko tracą naturalny kolor.
- Nie rozmrażaj mrożonek warzywnych przed gotowaniem.

### **Mięso, drób, owoce morza i jajka**

- Do gotowania na parze najlepiej nadają się miękkie partie mięsa z odrobiną tłuszczu.
- Umyj mięso dokładnie i wysusz, aby podczas gotowania wyciekało z niego jak najmniej soków.
- Mięso, drób, ryby lub jajka zawsze umieszczaj poniżej innych typów produktów, aby zapobiec przeciekaniu ich soków.
- Przed włożeniem jajek do urządzenia nakłuj skorupki.
- Nigdy nie gotuj zamrożonego mięsa, drobiu ani owoców morza. Przed włożeniem ich do parowaru pozostaw te produkty do całkowitego rozmrożenia.

### **Słodkie desery**

- Aby zwiększyć słodycz deseru, zamiast cukru dodaj do niego cynamonu.

### **Wskazówki ogólne**

- Tylko model HD9190: W celu ugotowania ryżu umieść go w pojemniku na zupę i zalej wodą. Informacje dotyczące zalecanych ilości produktów znajdują w tabeli gotowania na parze powyżej.
- Po zakończeniu gotowania ryżu z użyciem przycisku wstępnego ustawienia dla ryżu wyłącz urządzenie, wymieszaj ryż i pozostaw go w pojemniku na 5 minut pod przykryciem. Pozwoli to uzyskać jeszcze lepszy rezultat.
- Tylko model HD9190: Pojemnik na zupę umożliwi nie tylko przygotowanie zupy, ale też warzyw w sosie, ryby z wody, marynowanych potraw oraz puddingu, zupy i ryżu.
- Układaj kawałki żywności w pewnych odstępach. Rozłóż składniki równomiernie na dnie kosza.
- Jeśli kosz do gotowania na parze jest pełen, w połowie gotowania zamieszaj jego zawartość.
- Niewielkie ilości jedzenia wymagają krótszego czasu gotowania na parze niż duże.
- Jeśli korzystasz tylko z jednego kosza, możesz ustawić krótszy czas gotowania niż w przypadku korzystania z dwóch lub trzech koszy.
- Jeśli używasz kilku koszy, gotuj produkty dłużej o 5–10 minut.
- Produkty w małym koszu (1) gotują się szybciej niż te w koszach znajdujących się wyżej.
- Przed podaniem potrawy sprawdź, czy jest dobrze ugotowana. Jest to szczególnie ważne w przypadku mięsa, takiego jak wieprzowina, mielona wołowina i kurczak.
- W trakcie gotowania możesz dodawać kolejne produkty lub kosze do gotowania na parze z produktami. Jeśli dany składnik wymaga krótszego czasu gotowania, dołóż go później.
- Gotowanie trwa jeszcze przez jakiś czas po przejściu urządzenia w tryb utrzymywania ciepła. Dlatego, jeśli żywność jest już dobrze ugotowana, wyjmij ją z parowaru zaraz po zakończeniu procesu gotowania i włączeniu się trybu utrzymywania ciepła.
- Jeśli danie nie jest gotowe, ustaw dłuższy czas gotowania na parze. Być może będzie trzeba również uzupełnić zapas wody w zbiorniku.
- Tylko model HD9190: Parowaru można używać do podgrzewania gotowych zup. Umieść zupę w pojemniku na zupę i wyłącz domyślny tryb gotowania ryby. Podgrzanie 250 ml zupy zajmuje około 10 minut.

## Introducere

Felicitări pentru achiziție și bun venit la Philips! Pentru a beneficia pe deplin de asistența oferită de Philips, înregistrați-vă produsul la [www.philips.com/welcome](http://www.philips.com/welcome).

## Descriere generală (fig. 1)

- 1 Panou de comandă cu afișaj și butoane
  - a Buton START/STOP și buton pauză
  - b Buton sus și jos pentru cronometru
  - c Led pentru „Rezervor de apă gol”
  - d Butoane coș de preparare la abur (1, 2, 3)
  - e Buton program pentru gătit
  - f Buton program pentru bucătar
  - g Butoane de presetări pentru programul pentru bucătar (pește, cartofi, orez, legume verzi)
  - h Indicator cronometru
  - i Led „Păstrare la cald”
  - j Led turbo
- 2 Bază cu rezervor de apă
- 3 Termostat
- 4 Tavă de scurgere
- 5 Intensificator de arome
- 6 Coș mic de preparare la abur (1)
- 7 Coș mediu de preparare la abur (2)
- 8 Coș mare de preparare la abur (3)
- 9 Castron pentru supă (exclusiv HD9190)
- 10 Capacul
- 11 Orificii pentru abur
- 12 Mâner capac
- 13 Bază detașabilă
- 14 Orificiu de reumplere cu apă
- 15 Suport de depozitare a cablului

*Notă: Coșurile de preparare la abur sunt numerotate de la 1 la 3. Veți găsi numerele coșurilor de preparare la abur pe mânerul acestora. Puteți așeza orice coș mai mare deasupra unui coș mai mic, dar coșurile se potrivesc cel mai bine dacă le suprapuneți într-o ordine logică, crescătoare: cel mai mic coș (1) primul, apoi cel mediu (2) și apoi coșul cel mare (3).*

*Notă pentru HD9190: Castronul pentru supă poate fi utilizat cel mai bine în combinație cu coșul cel mare (3).*

*Notă: Așezați întotdeauna tava de scurgere sub coșurile de preparare la abur și utilizați numai coșuri de preparare la abur umplute cu alimente.*

## Important

Citiți cu atenție acest manual de utilizare înainte de utilizarea aparatului și păstrați-l pentru consultare ulterioară.

### Pericol

- Nu scufundați baza aparatului în apă și nici nu o clătiți la robinet.

### Avertisment

- Înainte de a conecta aparatul, verificați dacă tensiunea indicată pe aparat corespunde tensiunii de alimentare locale.

- Conectați aparatul doar la o priză de perete împământată. Aveți grijă ca mufa să fie bine introdusă în priză.
- Acest aparat nu este destinat operării prin intermediul unui cronometru exterior sau al unui sistem separat de telecomandă.
- Nu folosiți aparatul dacă ștecherul, cablul de alimentare sau aparatul însuși este deteriorat.
- În cazul în care cablul de alimentare este deteriorat, acesta trebuie înlocuit întotdeauna de Philips, de un centru de service autorizat de Philips sau de personal calificat în domeniu, pentru a evita orice accident.
- Acest aparat nu trebuie utilizat de către persoane (inclusiv copii) care au capacități fizice, mentale sau senzoriale reduse sau sunt lipsite de experiență și cunoștințe, cu excepția cazului în care sunt supravegheați sau instruiți cu privire la utilizarea aparatului de către o persoană responsabilă pentru siguranța lor.
- Copiii trebuie supravegheați pentru a nu se juca cu aparatul.
- Nu lăsați cablul de alimentare la îndemâna copiilor. Nu lăsați cablul de alimentare să atârne peste marginea mesei sau a blatului pe care este așezat aparatul.
- Nu apropiați cablul electric de suprafețe fierbinți.
- Desfășurați întotdeauna complet cablul de alimentare de pe tamburul din bază înainte de a conecta aparatul la rețea.
- Nu gătiți niciodată la abur carne congelată de vită, porc, pasăre sau pește. Efectuați întotdeauna o decongelare completă a acestor ingrediente înainte de a le găti la abur.
- Nu folosiți niciodată aparatul de preparat alimente la abur fără tava de scurgere, în caz contrar, va sări apă fierbinte din aparat.
- Utilizați coșurile de preparare la abur și castronul pentru supă (exclusiv HD9190) numai în combinație cu baza originală.

### **Precauție**

- Acest aparat este conceput numai pentru utilizarea casnică normală. Nu este conceput pentru utilizarea în medii cum ar fi bucătării ale angajaților din ateliere, birouri, ferme sau alte medii de lucru. De asemenea, nu este conceput pentru utilizarea de către clienți în hoteluri, moteluri, pensiuni și alte medii rezidențiale.
- Dacă aparatul este utilizat în mod necorespunzător, în regim profesional sau semiprofesional sau fără respectarea instrucțiunilor din manualul de utilizare, garanția poate fi anulată, iar Philips își va declina orice responsabilitate pentru daunele provocate.
- Nu utilizați niciodată accesorii sau componente de la alți producători sau care nu au fost recomandate special de Philips. Dacă utilizați astfel de accesorii sau componente, garanția dvs. devine nulă.

- Nu expuneți baza aparatului la temperaturi ridicate, gaz fierbinte, abur sau căldură umedă de la alte surse în afară de aparatul de gătit cu aburi. Nu puneți aparatul de preparat alimente la abur pe sau lângă o sobă sau mașină de gătit încă fierbinte.
- Nu puneți aparatul aflat în funcțiune lângă sau dedesubtul unor obiecte care s-ar deteriora la contactul cu aburul, cum ar fi pereții sau dulapurile.
- Nu utilizați aparatul în prezența vaporilor explozibili și/sau inflamabili.
- Așezați aparatul pe o suprafață stabilă, orizontală și netedă și asigurați-vă că dispune de un spațiu liber de cel puțin 10 cm de jur împrejur pentru a preveni supraîncălzirea.
- Așezați întotdeauna bazele detașabile în interiorul coșurilor de preparare la abur din partea superioară. Pentru poziționarea corectă a bazelor, coborâți mai întâi una dintre laturi în interiorul coșului, apoi pe cealaltă, până când baza se fixează în poziție („clic”). Asigurați-vă că proeminența de pe bază este cu fața în sus. (fig. 2)
- Aveți grijă la aburul fierbinte care iese din aparat în timpul preparării alimentelor la abur, în timp ce aparatul se află în modul de păstrare la cald sau atunci când îndepărtați capacul. Atunci când verificați alimentele, folosiți întotdeauna ustensile de bucătărie cu mânere lungi.
- Nu vă aplecați peste aparat în timpul funcționării.
- Nu atingeți suprafețele fierbinți ale aparatului. Folosiți întotdeauna mănuși atunci când manevrați părțile fierbinți ale aparatului.
- Nu mișcați aparatul în timpul funcționării.
- Îndepărtați întotdeauna capacul cu grijă și la distanță de dvs. Lăsați condensul să se scurgă de pe capac în aparat pentru a evita opărirea.
- Țineți întotdeauna coșul de preparare la abur de mână când alimentele sunt fierbinți.
- Nu goliți rezervorul de apă prin orificiul de reumplere cu apă. Pentru golirea rezervorului de apă, înclinați baza spre spate și goliți apa prin partea din spate a bazei (fig. 3).
- Întotdeauna, scoateți ștecherul din priză și lăsați aparatul să se răcească înainte de a-l depozita.

### **Închidere automată**

Aparatul este prevăzut cu funcție de oprire automată. Aparatul se oprește automat dacă nu apăsați niciun buton în interval de 2 minute de la conectarea aparatului la priză. De asemenea, aparatul se oprește automat după expirarea timpului de preparare la abur (inclusiv a timpului de păstrare la cald) setat.

### **Protecție împotriva încălzirii în gol**

Acest aparat de preparat alimente la abur este protejat împotriva încălzirii în gol. Sistemul de protecție împotriva încălzirii în gol oprește automat elementul de încălzire atunci când nu există apă în rezervor sau când apa se evaporă complet în timpul funcționării. Umpleți rezervorul de apă cu apă rece până la indicatorul MAX pentru a utiliza din nou aparatul.

## Câmpuri electromagnetice (EMF)

Acest aparat Philips respectă toate standardele referitoare la câmpuri electromagnetice (EMF). Dacă este manevrat corespunzător și în conformitate cu instrucțiunile din acest manual, aparatul este sigur conform dovezilor științifice disponibile în prezent.

### Înainte de prima utilizare

- 1** Curățați bine componentele care vin în contact cu alimentele înainte de prima utilizare a aparatului (consultați capitolul „Curățarea și întreținerea”).
- 2** Ștergeți interiorul rezervorului de apă cu o cârpă umedă.

### Pregătirea pentru utilizare

- 1** Așezați aparatul pe o suprafață stabilă, orizontală și netedă.
- 2** Desfășurați complet cablul de alimentare de pe tamburul din bază înainte de a conecta aparatul la rețea.
- 3** Umpleți rezervorul de apă cu apă până la marcajul MAX (fig. 4).
  - ▶ Atunci când rezervorul de apă este umplut până la marcajul MAX, aparatul de gătit cu aburi poate funcționa pentru aproximativ 60 de minute.

Nu umpleți rezervorul peste gradația MAX.

Umpleți rezervorul numai cu apă. Nu introduceți niciodată condimente, ulei sau alte substanțe în rezervorul de apă.

- 4** Introduceți tava de scurgere pe rezervorul cu apă în bază (fig. 5).

*Notă: Nu utilizați niciodată aparatul fără tava de scurgere și nu introduceți apă, condimente, ulei sau alte substanțe în tava de scurgere.*

- 5** Amplasați Intensificatorul de arome pe tava de scurgere dacă doriți să adăugați aromă suplimentară alimentelor ce urmează să fie preparate la abur. (fig. 6)
  - Umpleți Intensificatorul de arome cu plante aromatice proaspete sau uscate.
  - Pentru plantele sau condimentele sugerate pentru diversele tipuri de alimente, consultați tabelul cu alimente preparate la abur la capitolul "Tabel cu alimente și sfaturi pentru pregătirea la abur".
- 6** Puneți alimentele ce urmează să fie preparate la abur într-unul sau mai multe coșuri de preparare la abur și/sau în castronul pentru supă (exclusiv HD9190). (fig. 7)
  - Așezați întotdeauna bazele detașabile în interiorul coșurilor de preparare la abur din partea superioară. Pentru poziționarea corectă a bazelor, coborâți mai întâi una dintre laturi în interiorul coșului, apoi pe cealaltă, până când baza se fixează în poziție („clic”). Asigurați-vă că proeminența de pe bază este cu fața în sus (fig. 2).
  - Nu puneți prea multe alimente în coșurile de preparare la abur. Lăsați puțin spațiu între bucățile de alimente și distribuiți-le uniform, pe întreaga suprafață a bazei coșului.
  - Exclusiv HD9189: Pentru a găti orez, puteți utiliza un castron ușor, care încapă în interiorul coșurilor de preparare la abur. Asigurați-vă că lăsați puțin spațiu în jurul castronului, pentru a permite circulația corespunzătoare a aburului în interiorul aparatului de preparat alimente la abur.
  - Puneți bucățile mai mari de alimente și alimentele ce necesită mai mult timp de pregătire la abur în cel mai de jos coș de preparare la abur (1).
  - Puneți ouăle pe suportul pentru ouă pentru a le pregăti la abur în mod adecvat (fig. 8).
  - Pentru a prepara alimente voluminoase (de exemplu, pui întregi, știuleți de porumb), puteți îndepărta bazele detașabile ale coșului mediu de preparare la abur (2) și ale coșului mare de preparare la abur (3) pentru a crea un singur coș mare.

*Notă: Capacitatea maximă a coșurilor de preparare la abur este de 1 kg.*

**7** Puteți unul sau mai multe coșuri de preparare la abur pe tava de scurgere. Poziționați corect coșurile și asigurați-vă că nu se clatină (fig. 9).

- Nu trebuie să utilizați toate cele 3 coșuri de preparare la abur.
- Coșurile de preparare la abur sunt numerotate de la 1 la 3. Veți găsi numerele coșurilor de preparare la abur pe mânerele acestora. Puteți așeza orice coș mai mare deasupra unui coș mai mic, dar coșurile se potrivesc cel mai bine dacă le suprapuneți într-o ordine logică, crescătoare: cel mai mic coș (1) primul, apoi cel mediu (2) și apoi coșul cel mare (3). Așezați întotdeauna tava de scurgere sub coșurile de preparare la abur și utilizați numai coșuri de preparare la abur umplute cu alimente (fig. 10).
- Exclusiv HD9190: Castronul pentru supă este destinat preparării supei, altor alimente lichide și peștelui. Când doriți să utilizați castronul pentru supă, așezați-l în interiorul coșului mare de preparare la abur (3) (fig. 11).
- Exclusiv HD9190: Chiar și atunci când îndepărtați baza detașabilă a coșului mare de preparare la abur (3) pentru a crea un coș mai mare, împreună cu coșul mediu de preparare la abur (2) de dedesubt, puteți așeza castronul pentru supă destinat preparării supei, orezului sau supei, în partea superioară a aparatului (fig. 12).
- Chiar și atunci când îndepărtați baza detașabilă a coșului mediu de preparare la abur (2) pentru a crea un coș mai mare, împreună cu coșul mic de preparare la abur (1) de dedesubt, puteți așeza coșul mare de preparare la abur (3) în partea superioară a aparatului.

**8** Acoperiți cu capacul coșul de preparare la abur de sus (fig. 13).

*Notă: În cazul în care capacul nu este plasat sau este plasat incorect pe coșul de preparare la abur, alimentele nu sunt preparate la abur corespunzător.*

### Utilizarea aparatului

Aparatul oferă două moduri de preparare la abur:

- 1 Modul Manual, care asigură activarea rapidă a aparatului de preparat alimente la abur.
- 2 Modul Programe:
  - Program pentru gătit: pentru prepararea unei mese complete, cu intervale diferite de preparare pentru fiecare coș.
  - Program pentru bucătar, cu butoane presetate: pentru prepararea alimentelor cu intervale și temperaturi predefinite de preparare.

Consultați secțiunile separate de mai jos pentru mai multe informații privind utilizarea acestor moduri.

### Procedura generală

Pașii de mai jos reprezintă etape generale, aplicabile tuturor celor trei moduri de preparare la abur:

**1** Introduceți ștecherul în priză.

- ▶ Ledul butonului Start/Stop se aprinde și timpul implicit de preparare la abur (20 minute) va apărea pe afișaj (fig. 14).

**2** Alegeți unul dintre cele două moduri de preparare la abur și urmați instrucțiunile date (consultați secțiunile pentru diferitele moduri de preparare la abur, de mai jos).

*Notă: Nu puteți utiliza ambele moduri de preparare la abur în același timp. De asemenea, utilizarea programului pentru gătit și a celui pentru bucătar, în același timp, nu este posibilă.*

*Notă: Dacă preparați la abur cantități mari de alimente, amestecați-le la jumătatea procesului de preparare la abur cu o ustensilă de bucătărie cu mâner lung. Asigurați-vă că purtați mănuși de bucătărie.*

*Notă: În primele 5 minute ale procesului de preparare la abur, ledul turbo se va aprinde. Acest lucru indică faptul că aparatul de preparat la abur utilizează energie suplimentară pentru a se încălzi rapid.*

**3** Atunci când procesul de preparare la abur s-a încheiat, aparatul va emite un semnal acustic de 5 ori, apoi va trece automat în modul de păstrare la cald (consultați secțiunea „Păstrare la cald”).

**4** După utilizare, îndepărtați cu grijă capacul.

Aveți grijă la aburul fierbinte eliberat din aparat la îndepărtarea capacului.

*Notă: Pentru a evita producerea arsurilor, purtați mănuși pentru cuptor atunci când îndepărtați capacul. Îndepărtați capacul cu grijă, ținându-l departe de dvs. Lăsați condensul să se scurgă de pe capac în coșul de preparare la abur.*

*Notă: Utilizați o ustensilă de bucătărie cu coadă lungă pentru scoaterea alimentelor din coșurile de preparare la abur.*

**5** Când scoateți un coș de preparare la abur, lăsați condensul să se scurgă de pe coș în coșul de preparare la abur de dedesubt sau în tava de scurgere.

**6** Scoateți ștecherul din priză și permiteți răcirea completă a aparatului de preparat la abur înainte de a îndepărta tava de scurgere.

**7** Goliți rezervorul de apă după fiecare utilizare, înclinând baza spre spate și golind apa prin partea din spate a bazei (fig. 3).

Aveți grijă atunci când îndepărtați tava de scurgere și goliți rezervorul de apă, deoarece apa din ambele recipiente ar putea fi încă fierbinte, chiar dacă celelalte componente ale aparatului s-au răcit deja.

*Notă: Dacă, în timpul procesului de preparare la abur, apa se epuizează, ledul care indică „rezervor de apă gol” se aprinde, pentru a vă semnala că trebuie să reumpleți rezervorul de apă (fig. 15).*

*Notă: Dacă doriți să preparați mai multe alimente la abur și aveți nevoie de mai multă apă, puteți adăuga mici cantități de apă prin orificiul de reumplere cu apă, pentru a reumple rezervorul de apă.*

*Notă: Aparatul intră automat în modul de așteptare dacă nu este utilizat timp de 2 minute. Apăsăți butonul Start/Stop pentru a activa panoul de comandă din nou.*

## **Modul manual**

Utilizați acest mod pentru activarea rapidă a aparatului de preparat la abur.

**1** Apăsăți butonul sus sau jos pentru cronometru, pentru a selecta intervalul dorit pentru prepararea alimentelor la abur (fig. 16).

**2** Apăsăți butonul Start/Stop pentru a porni procesul de preparare la abur (fig. 17).

• Procesul de preparare la abur este inițiat. Ledul Start/Stop și ledul turbo luminează intermitent într-un ritm lent iar cronometrul începe numărătoarea inversă a timpului setat pentru procesul de preparare la abur (fig. 18).

• Când timpul alocat procesului de preparare la abur s-a scurs, aparatul emite un semnal acustic și trece în modul de păstrare la cald. Ledul aferent modului păstrare la cald se aprinde (fig. 19).

## **Modul Programe: program pentru gătit**

Utilizați acest program pentru prepararea unei mese complete, cu intervale diferite de preparare pentru fiecare coș de preparare. Aparatul începe automat prepararea alimentelor din coșul de preparare la abur cu cel mai mare interval de preparare, emițând un semnal acustic pentru a vă anunța când trebuie să adăugați coșul sau coșurile cu un interval de preparare mai scurt. Ultimul coș de preparare va fi cel cu intervalul de preparare cel mai scurt.

*Notă: Dacă doriți să preparați o masă fără să utilizați toate cele trei coșuri de preparare la abur, setați cronometrul numai pentru coșurile de preparare pe care le utilizați.*

**1** Apăsăți butonul pentru gătit. (fig. 20)

• Ledul butonului aferent programului pentru gătit se declanșează, iar butoanele aferente celor trei coșuri de preparare la abur se aprind (fig. 21).

- 2** Apăsăți butonul aferent coșului de preparare la abur 1, 2 sau 3 pentru a selecta unul dintre coșuri. (fig. 22)
  - ▶ Ledul corespunzător va începe să lumineze intermitent.
- 3** Apăsăți butoanele sus și jos ale cronometrului, pentru a seta intervalul dorit de preparare aferent coșului de preparare la abur selectat. (fig. 23)
- 4** Apăsăți din nou butonul aferent coșului pentru care setați intervalul de preparare, pentru a confirma. (fig. 24)
  - ▶ Punctul situat dedesubtul butonului aferent coșului de preparare la abur se va aprinde, pentru a indica faptul că intervalul de preparare a fost setat.
- 5** Repetați pașii de la 2 la 4 până când setați intervalul de preparare pentru toate coșurile de preparare la abur pe care doriți să le utilizați.
- 6** Introduceți ingredientele în coșurile de preparare la abur. Când folosiți toate coșurile, puneți alimentele cu durata cea mai mare de preparare în cel mai mic coș (1), alimentele cu al doilea cel mai lung interval de preparare în coșul mediu (2) iar alimentele cu cel mai scurt interval de preparare în cel mai mare coș de preparare la abur (3).
- 7** Așezați coșul de preparare la abur cu cel mai mare interval de preparare pe baza aparatului.
- 8** Apăsăți butonul Start/Stop (fig. 17).
  - ▶ Procesul de preparare la abur pentru coșul cu cel mai mare interval de preparare este inițiat. Ledul Start/Stop luminează intermitent într-un ritm lent, în timp ce cronometrul începe numărătoarea inversă a intervalului de preparare la abur.
  - ▶ După un anumit timp, aparatul emite un semnal acustic iar ledul aferent coșului de preparare cu al doilea cel mai lung interval de preparare luminează intermitent într-un ritm alert, pentru a indica faptul că trebuie să adăugați următorul coș de preparare la abur (fig. 25).
- 9** Așezați coșul de preparare la abur cu al doilea cel mai lung interval de preparare deasupra coșului care este deja așezat pe aparatul de preparat la abur și apăsați butonul aferent coșului de preparare, care luminează intermitent, sau butonul Start/Stop.
- 10** Aparatul își va continua procesul de preparare la abur.
  - ▶ Ledul Start/Stop luminează intermitent într-un ritm lent, în timp ce cronometrul începe numărătoarea inversă a intervalului de preparare.
  - ▶ După un anumit timp, aparatul emite un semnal acustic, iar ledul aferent coșului de preparare la abur cu cel mai scurt interval de preparare luminează intermitent, indicând faptul că trebuie să adăugați acest coș de preparare la abur.
- 11** Așezați coșul de preparare la abur cu cel mai scurt interval de preparare deasupra celorlalte coșuri de preparare la abur și apăsați butonul aferent coșului de preparare la abur, care luminează intermitent, sau butonul Start/Stop.
- 12** Aparatul își va continua procesul de preparare la abur.
  - ▶ Ledul Start/Stop luminează intermitent într-un ritm lent, în timp ce cronometrul începe numărătoarea inversă a intervalului de preparare.
  - ▶ Când timpul alocat procesului de preparare la abur s-a scurs, aparatul emite un semnal acustic și trece în modul de păstrare la cald. Ledurile aferente modului de păstrare la cald și butonului Start/Stop luminează intermitent, într-un ritm lent.

### **Modul Programe: program pentru bucătar**

Utilizați acest mod pentru prepararea optimă a anumitor ingrediente, cu ajutorul unor intervale și temperaturi predefinite de preparare.

*Notă: Puteți utiliza programul pentru bucătar numai împreună cu cel mai de jos coș de preparare la abur, așezat direct pe tava de scurgere.*



*Notă: Butoanele predefinite ale programului pentru bucătar au intervale de preparare mai mari față de cele ale modului manual. Acest lucru se datorează faptului că temperaturile de preparare ale acestora se situează, în parte, sub 100°C, pentru obținerea celor mai bune rezultate.*

- 1** Apăsăți butonul programului pentru bucătar (fig. 26).
  - ▶ Ledul butonului aferent programului pentru bucătar se declanșează, iar cele patru butoane predefinite se aprind (fig. 27).
- 2** Apăsăți unul dintre cele patru butoane predefinite.
  - Apăsăți butonul pentru pește, dacă doriți să preparați pește (fig. 28).
  - Apăsăți butonul pentru cartofi, dacă doriți să preparați cartofi (fig. 29).
  - Apăsăți butonul pentru orez, dacă doriți să preparați orez (fig. 30).
  - Apăsăți butonul pentru legume, dacă doriți să preparați legume (fig. 31).
- 3** Dacă este cazul, puteți regla intervalul de preparare, folosind butonul sus sau jos al cronometrului, în funcție de cantitatea și dimensiunea ingredientelor din coșul de preparare la abur.
- 4** Apăsăți butonul Start/Stop.
  - ▶ Procesul de preparare la abur este inițiat iar ledul Start/Stop luminează intermitent, într-un ritm lent. Afișajul va indica alternativ numărătoarea inversă a cronometrului și temperatura de preparare curentă, aferentă butonului predefinit selectat.
  - ▶ Când timpul alocat procesului de preparare la abur s-a scurs, aparatul emite un semnal acustic și trece în modul de păstrare la cald. Ledul aferent modului de păstrare la cald se aprinde.

### Modul de păstrare la cald

După finalizarea procesului de preparare la cald, aparatul trece automat în modul de păstrare la cald, iar ledul aferent modului de păstrare la cald se aprinde.

Modul păstrare la cald păstrează alimentele calde timp de 20 de minute.

- Dacă doriți să păstrați alimentele calde mai mult de 20 de minute, apăsați butoanele sus și jos ale cronometrului pentru a regla timpul de păstrare la cald.
- Dacă doriți să dezactivați modul păstrare la cald când acesta este activ, apăsați butonul Start/Stop.

### Curățare și întreținere

Nu folosiți niciodată bureți de sârmă, agenți de curățare abrazivi sau lichide agresive cum ar fi benzina sau acetona pentru a curăța aparatul.

- 1** Scoateți ștecherul din priză și lăsați aparatul să se răcească.
  - 2** Curățați partea exterioară a bazei cu o cârpă umedă.
- Nu scufundați baza aparatului în apă și nici nu o clătiți la robinet.
- 3** Curățați rezervorul de apă cu o lavetă curată înmuiată în apă caldă cu detergent de vase. Ștergeți rezervorul de apă cu o lavetă umedă curată.
  - 4** Curățați capacul manual în apă caldă, folosind detergent lichid.

Nu curățați capacul în mașina de spălat vase.

- 5** Îndepărtați bazele detașabile ale coșurilor de preparare la abur. Curățați coșurile, bazele detașabile, Intensificatorul de aromă, tava de scurgere și castronul pentru supă (exclusiv HD9190) manual, în apă caldă, folosind detergent lichid. De asemenea, puteți curăța aceste componente în mașina de spălat vase, folosind un ciclu scurt de spălare și o temperatură scăzută.

Curățarea repetată a coșurilor de preparare la abur în mașina de spălat vase, poate cauza decolorarea ușoară a acestora.

## Îndepărtarea calcarului

Este necesară detartrarea aparatului când sunt vizibile depuneri în rezervorul de apă. Este important să detartrați periodic aparatul de preparare la abur pentru a menține performanțele optime ale acestuia.

**1** Umpleți rezervorul de apă cu oțet alb (8% acid acetic) până la marcajul MAX.

Nu utilizați alt tip de agent de detartrare.

**2** Așezați tava de scurgere și coșul mic de preparare la abur (1) pe bază, în mod corespunzător (fig. 32).

**3** Acoperiți coșul mic de preparare la abur cu capacul (fig. 33).

**4** Introduceți ștecherul în priză.

**5** Apăsăți butonul Start/Stop pentru activarea panoului de comandă.

**6** Apăsăți butonul Start/Stop pentru a permite funcționarea aparatului timp de 20 de minute (fig. 17).

Dacă oțetul începe să clocotească peste marginea bazei, scoateți ștecherul din priză și reduceți cantitatea de oțet.

**7** Când aparatul emite un semnal acustic, scoateți-l din priză și lăsați oțetul să se răcească complet. Apoi, goliți rezervorul de apă.

**8** Clătiți rezervorul de apă cu apă rece, de mai multe ori.

*Notă: Dacă au mai rămas depuneri în rezervorul de apă, repetați procedura.*

## Depozitarea

**1** Înainte de a depozita aparatul, asigurați-vă că toate componentele sunt curate și uscate (consultați capitolul „Curățarea și întreținerea”).

**2** Pentru păstrarea cablului de alimentare, înfășurați-l în jurul bobinei de la bază (fig. 34).

**3** Așezați tava de scurgere pe bază (fig. 35).

**4** Asigurați-vă că bazele detașabile sunt fixate în coșurile de preparare la abur.

**5** Așezați coșul mare de preparare la abur (3) pe tava de scurgere. Așezați coșul mediu de preparare la abur (2) în interiorul coșului mare de preparare la abur (3). Așezați coșul mic de preparare la abur (1) în interiorul coșului mediu de preparare la abur (2) (fig. 36).

**6** Exclusiv HD9190: Așezați castronul pentru supă în interiorul castronului mic de preparare la abur (1).

**7** Acoperiți castronul pentru supă (exclusiv HD9190) sau coșul mic de preparare la abur, cu capacul (fig. 37).

## Garanție și service

Dacă aveți nevoie de service sau de informații sau întâmpinați probleme, vizitați site-ul web Philips la adresa **www.philips.com/support** sau contactați centrul Philips de asistență pentru clienți din țara dvs. Găsiți numărul de telefon în garanția internațională. Dacă în țara dvs. nu există un astfel de centru, deplasați-vă la furnizorul dvs. Philips local.

## Protecția mediului

- Nu aruncați aparatul împreună cu gunoii menajer la sfârșitul duratei de funcționare, ci predați-l la un punct de colectare autorizat pentru reciclare. În acest fel, ajutați la protejerea mediului înconjurător (fig. 38).

## Depanare

Acest capitol descrie cele mai frecvente problemele care pot apărea în utilizarea aparatului. Dacă nu reușiți să rezolvați problema folosind informațiile de mai jos, contactați centrul de asistență pentru clienți din țara dvs.

Problemă	Cauză posibilă	Soluție
Aparatul de preparat la abur nu funcționează.	Aparatul nu este conectat la priză.	Introduceți ștecherul în priză.
	Nu este suficientă apă în rezervor.	Umpleți rezervorul de apă.
	Nu ați apăsat încă butonul Start/Stop.	Apăsați butonul Start/Stop.
Nu toată mâncarea este gătită.	Anumite bucăți de alimente din aparatul de preparat la abur sunt prea mari/necesită un timp de preparare la abur mai mare decât celelalte.	Setați un timp de preparare la abur mai îndelungat cu butonul +.
		Puneți bucățile mai mari de alimente și alimentele care necesită mai mult timp de preparare la abur în coșul mic de preparare la abur (1) și începeți procesul de preparare la abur cu câțva timp înainte de adăugarea celorlalte coșuri.
	Ați pus prea multe alimente în coșurile de preparare la abur.	Nu încărcăți excesiv coșurile de preparare la abur. Tăiați alimentele în bucăți mici și așezați bucățile cele mai mici deasupra.
		Lăsați puțin spațiu între bucățile de alimente și distribuiți-le uniform, pe întreaga suprafață a bazei coșului.
Aparatul nu se încălzește corespunzător.	Nu ați îndepărtat calcarul de pe aparat în mod regulat.	Detartrați aparatul. Consultați capitolul 'Curățarea și întreținerea'.
Apa sare din rezervorul de apă, în timpul procesului de preparare la abur.	Ați umplut excesiv rezervorul de apă.	Îndepărtați excesul de apă din rezervor. Asigurați-vă că nivelul apei nu depășește marcajul MAX.
Ledul pentru „Rezervor de apă gol” se aprinde, chiar dacă există suficientă apă în rezervorul de apă.	Pe elementul de încălzire s-a depus prea mult calcar.	Detartrați rezervorul de apă. Consultați secțiunea „Detartrarea” din capitolul „Curățarea și întreținerea”.

Problemă	Cauză posibilă	Soluție
Intensificatorul de aromă nu are sau are un efect redus.	Nu ați introdus suficiente plante aromatice în Intensificatorul de arome.	Adăugați mai multe plante aromatice în Intensificatorul de arome.
	Nu ați introdus tipul corespunzător de plante aromatice în Intensificatorul de arome.	Introduceți plante aromatice cu o aromă intensă în Intensificatorul de arome. Consultați tabelul de preparare a alimentelor la abur din capitoul „Tabel cu alimente și sfaturi pentru pregătirea la abur”.
	Ați consumat alimentele la un interval de timp destul de îndelungat după prepararea acestora.	Consumați alimentele imediat după prepararea acestora.
Există spumă la suprafața apei din rezervorul de apă sau tava de scurgere.	Spuma se poate forma atunci când în apa din rezervorul de apă pătrund proteine sau atunci când în rezervorul de apă rămân urme de agenți de curățare.	Curățați rezervorul de apă. Consultați capitoul „Curățarea și întreținerea”.

### Tabelul cu alimente și sugestii pentru prepararea la abur

- Pentru rețete, consultați broșura cu rețete sau vizitați site-ul nostru Web [www.philips.com/kitchen](http://www.philips.com/kitchen).
- Duratele de preparare la abur menționate în tabelul de mai jos sunt oferite doar în scop orientativ. Duratele de preparare la abur pot varia în funcție de dimensiunile bucăților de alimente, spațiile lăsate între alimente în coșul de preparare la abur, cantitatea de alimente din coș, gradul de prospețime al alimentelor și preferințele personale.

### Tabelul pentru prepararea la abur a alimentelor

Alimente de înăbușit	Cantitate	Timp de preparare la abur (min)	Plante aromatice/condimente sugerate pentru Intensificatorul de arome
Sparanghel	500 g	15-20	Cimbru, busuioc, lămâie
Miniștiuleți de porumb	200 g	5-8	Arpagic, chilli, paprică
Fasole verde	500 g	15-20	Pătrunjel, lămâie, usturoi
Broccoli	400 g	20	Usturoi, chili, tarhon
Morcovi	500 g	20	Pătrunjel, muștar uscat, arpagic
Buchețele de conopidă	400 g	20	Rozmarin, busuioc, tarhon
Țelină (cuburi)	300 g	15-20	Chimen, piper alb, chilli
Pulpă de pui	1 buc	25	Piper negru, lămâie, paprică

Alimente de înăbușit	Cantitate	Timp de preparare la abur (min)	Plante aromatice/condimente sugerate pentru Intensificatorul de arome
Știulete de porumb	500 g	30-40	Pătrunjel, usturoi, arpagic
Dovlecel (feliat)	500 g	10	Mărar, salvie, rozmarin
Cușcuș	150 g + 250 ml apă	10-15	Chimen, coriandru, cuișoare
Ouă	6 buc	12-15	-
Fructe	500 g/4 buc	10-15	Scorțișoară, lămâie, cuișoare
Mazăre (congelată)	400 g	20-25	Rozmarin, chimen, pătrunjel
Cartofi	400 g	25-30	Pătrunjel, arpagic, usturoi
Crevete	200 g	5	Pudră de curry, șofran, lămâie
Budinci	4 castroane	20	Scorțișoară, cuișoare, vanilie
Orez	150 g + 300 ml apă	35	Pandan, pătrunjel, chimen
	250 g + 500 ml apă	35	Pandan, pătrunjel, chimen
Somon	450 g	12-15 min.	Mărar, pătrunjel, busuioc
Pește alb	450 g	10-15	Muștar uscat, cuișoare englezești, măghiran

## Intervalele de preparare ale modurilor de preparare la abur presetate (fig. 39)

### Sugestii pentru prepararea la abur a alimentelor

#### Intensificator de arome

- Rozmarin, cimbru, coriandru, busuioc, mărar, curry și tarhon sunt câteva dintre plantele aromatice și condimentele pe care le puteți pune în Intensificatorul de arome. Le puteți combina cu usturoi, chimen sau hrean pentru un plus de aromă, fără a adăuga sare. Vă recomandăm să folosiți între 1/2 și 3 lingurițe de plante uscate sau condimente. Folosiți o cantitate mai mare în cazul plantelor aromatice proaspete sau al condimentelor:
- Intensificatorul de arome are eficiență maximă pentru alimentele preparate în coșul cel mai de jos, care este așezat direct peste tava de scurgere.
- Pentru mai multe sugestii privind plantele aromatice, condimentele și lichidele de utilizat în Intensificatorul de arome, consultați tabelul de preparare a alimentelor la abur, de mai sus.
- Adăugarea unei cantități mici de ulei peste alimente, îmbunătățește efectul Intensificatorului de arome, conferind alimentelor un gust mai intens.
- Pentru rezultate optime, mărunțiți plantele aromatice și umpleți Intensificatorul de arome în mod uniform.
- Pentru a vă bucura de un gust intens, vă recomandăm consumarea alimentelor imediat după preparare.
- Nu turnați lichide în Intensificatorul de arome.

### **Fruite și legume**

- Tăiați inflorescențele de la conopidă, broccoli și varză.
- Înăbușiți legumele verzi cu frunze un timp cât mai scurt posibil, deoarece își ușor pierd ușor culoarea.
- Nu dezghețați legumele congelate înainte de a le înăbuși.

### **Carne, pui, fructe de mare și ouă**

- Carne fragedă cu puțină grăsime este cea mai indicată pentru prepararea la abur.
- Spălați carnea corespunzător și uscați-o, astfel încât să se scurgă cât mai puțin suc.
- Întotdeauna așezați carnea, puiul, peștele sau ouăle sub alte tipuri de alimente pentru a preveni picurarea sucurilor.
- Împungeți ouăle înainte de a le introduce în aparatul de preparat la abur.
- Nu înăbușiți niciodată carne, pui sau fructe de mare congelate. Lăsați întotdeauna carnea, puiul sau fructele de mare să se dezghețe complet înainte de a le introduce în aparatul de preparat la abur.

### **Deserturi dulci**

- Adăugați scorțișoară la deserturi pentru a accentua dulceața în loc să adăugați zahăr.

### **Sugestii generale**

- Exclusiv HD9190: Pentru a prepara orez, trebuie să adăugați apă peste orez, în castronul pentru supă. Pentru cantități, consultați tabelul de preparare a alimentelor la abur, de mai sus.
- După ce ați terminat de gătit orezul, folosind butonul predefinit pentru orez, opriți aparatul, amestecați orezul și lăsați-l în castronul acoperit cu capacul, timp de 5 minute. Astfel, rezultatul obținut este desăvârșit.
- Exclusiv HD9190: De asemenea, în afara preparării supei, puteți utiliza castronul de supă pentru prepararea legumelor cu sos, pentru fierberea peștelui, prepararea alimentelor marinate și a budincii, supei și orezului.
- Lăsați puțin spațiu între bucățile de alimente și distribuiți-le uniform pe întreaga suprafață a bazei coșului de preparare la abur.
- În cazul în care coșul de preparare la abur este foarte plin, amestecați mâncarea la mijlocul procesului de preparare.
- Cantitățile mici de alimente necesită un timp de preparare mai redus decât cantitățile mai mari.
- Dacă utilizați doar un singur coș de preparare la abur, alimentele necesită un timp de preparare mai mic decât dacă utilizați 2 sau 3 coșuri de preparare la abur.
- Dacă utilizați mai mult de un coș, lăsați alimentele să se prepare 5-10 minute în plus.
- Alimentele se gătesc mai rapid în coșul mic de preparare la abur (1) decât în coșurile de deasupra.
- Asigurați-vă că alimentele sunt bine preparate înainte de a le consuma. Acest aspect are o importanță deosebită în special în cazul cărnii de porc și a cărnii tocate de vită și de pasăre.
- Puteți adăuga alimente sau coșuri umplute cu alimente în timpul procesului de preparare la abur. Dacă unul dintre ingrediente necesită un timp de preparare mai scurt, adăugați-l mai târziu.
- Prepararea alimentelor continuă un timp după trecerea aparatului în modul Păstrare cald. Dacă alimentele sunt deja foarte bine găsite, scoateți-le din aparat la terminarea procesului de preparare la abur și trecerea aparatului în modul păstrare cald.
- Dacă alimentele nu sunt găsite, setați un timp de preparare la abur mai lung. Este posibil să fie necesară adăugarea de apă în rezervor.
- Exclusiv HD9190: Aparatul poate fi utilizat pentru încălzirea supei găsite. Puneți supa în castronul pentru supă și lăsați-o la abur la modul predefinit de preparare a peștelui. Încălzirea a 250 ml de supă durează aproximativ 10 minute.

## Введение

Поздравляем с покупкой продукции Philips! Для получения полной поддержки, оказываемой компанией Philips, зарегистрируйте прибор на веб-сайте [www.philips.com/welcome](http://www.philips.com/welcome).

## Общее описание (Рис. 1)

- 1 Панель управления с дисплеем и кнопками
  - а. Кнопка старт/стоп и кнопка паузы
  - б. Кнопка настройки таймера
  - с. Индикатор пустого резервуара для воды
  - d. Кнопки паровых корзин (1, 2, 3)
  - е. Кнопка комплексного режима приготовления
  - f. Кнопка предустановленного режима
  - g. Кнопки выбора предустановленного режима (рыба, картофель, рис, свежие овощи)
  - h. Индикатор таймера
  - i. Индикатор режима поддержания температуры
  - j. Индикатор турборежима
- 2 Основание с резервуаром для воды
- 3 Датчик температуры
- 4 Поддон для капель
- 5 Отсек для приправ
- 6 Малая паровая корзина (1)
- 7 Средняя паровая корзина (2)
- 8 Большая паровая корзина (3)
- 9 Чаша для супа (только для модели HD9190)
- 10 Крышка
- 11 Паровые отверстия
- 12 Ручка крышки
- 13 Съёмный поддон
- 14 Носик для залива воды
- 15 Приспособление для хранения шнура

*Примечание Паровые корзины пронумерованы (1—3). Номера указаны на ручках корзин. Корзину большего размера можно установить на более маленькую, однако рекомендуется устанавливать корзины в порядке увеличения размера: сначала малая корзина (1), затем средняя корзина (2) и, наконец, большая корзина (3).*

*Примечание для модели HD9190. Чашу для супа лучше всего использовать с большой паровой корзиной (3).*

*Примечание Всегда устанавливайте корзины на поддон для капель, никогда не ставьте в пароварку пустые паровые корзины.*

## Важная информация

Перед использованием прибора внимательно ознакомьтесь с руководством пользователя и сохраните его для дальнейшего использования в качестве справочного материала.

### Опасно!

- Запрещается опускать основание в воду или промывать под струей воды.

**Предупреждение**

- Перед подключением прибора убедитесь, что указанное на нем номинальное напряжение соответствует напряжению местной электросети.
- Подключайте прибор только к заземленной розетке. Убедитесь, что сетевая вилка правильно вставлена в розетку электросети.
- Данное устройство нельзя подключать к внешнему таймеру или автономным системам дистанционного управления.
- Запрещено пользоваться прибором, если сетевая вилка, сетевой шнур или сам прибор повреждены.
- В случае повреждения сетевого шнура его необходимо заменить. Чтобы обеспечить безопасную эксплуатацию прибора, заменяйте шнур только в авторизованном сервисном центре Philips или в сервисном центре с персоналом аналогичной квалификации.
- Данный прибор не предназначен для использования лицами (включая детей) с ограниченными возможностями сенсорной системы или ограниченными умственными или физическими способностями, а также лицами с недостаточным опытом и знаниями, кроме как под контролем и руководством лиц, ответственных за их безопасность.
- Не позволяйте детям играть с прибором.
- Храните сетевой шнур в месте, недоступном для детей. Не допускайте свисания шнура с края стола или с места, где стоит прибор.
- Не помещайте шнур рядом с горячими поверхностями.
- Перед включением полностью размотайте сетевой шнур с катушки на подставке прибора.
- Запрещается обрабатывать паром замороженные мясо, птицу или морепродукты. Обязательно полностью разморозьте продукты перед приготовлением на пару.
- Не используйте пароварку без поддона для капель, в противном случае горячая вода может протекать.
- Используйте только комплектные паровые корзины и чашу для супа (только для модели HD9190) вместе с комплектным основанием.

**Внимание!**

- Устройство предназначено только для домашнего использования в стандартных условиях. Устройство не предназначено для использования в таких условиях эксплуатации, как обеденные зоны в магазинах, офисах, сельскохозяйственных помещениях или других производственных условиях. Также устройство не предназначено



для использования клиентами в отелях, мотелях, местах ночлега и завтрака, а также в других местах пребывания.

- В случае нарушения правил использования устройства, при его использовании в качестве профессионального или полупрофессионального оборудования, а также при нарушении правил данного руководства гарантийные обязательства утрачивают свою силу, и в этом случае компания Philips не несет ответственности за какой бы то ни было причиненный ущерб.
- Запрещается пользоваться какими-либо принадлежностями или деталями других производителей без специальной рекомендации компании Philips. При использовании такой принадлежности гарантийные обязательства утрачивают силу.
- Не подвергайте пароварку воздействию высоких температур, горячего газа, пара или влажного теплого воздуха от других источников. Не помещайте пароварку рядом с работающей или еще не остывшей плитой или духовым шкафом.
- Не устанавливайте прибор рядом или под предметами, которые могут быть повреждены паром, например, под полками или рядом со стеной.
- Не используйте прибор, если в атмосфере присутствуют взрывчатые и/или огнеопасные газы.
- Устанавливайте пароварку на ровную, устойчивую поверхность. Вокруг прибора необходимо сохранить не менее 10 см свободного пространства, чтобы избежать перегрева.
- Устанавливайте съемные поддоны в паровые корзины только сверху. Чтобы правильно расположить поддон, сначала опустите один край поддона, а затем — другой (должен прозвучать щелчок). Обратите внимание: изгиб на съемном поддоне должен находиться сверху. (Рис. 2)
- Остерегайтесь выхода горячего пара из пароварки во время приготовления пищи, в режиме поддержания температуры, а также при снятии крышки. Проверая степень готовности пищи, обязательно используйте кухонные приспособления с длинными ручками.
- Запрещается наклоняться над работающим прибором.
- Не прикасайтесь к горячим поверхностям руками. Используйте теплозащитные рукавицы.
- Запрещается перемещать работающий прибор.
- Всегда соблюдайте осторожность при снятии крышки и бережно обращайтесь с ней. Сливайте капли конденсата с крышки в пароварку, чтобы избежать выпаривания.
- Если пища горячая, держите паровую корзину за ручки.

- Не сливайте воду из резервуара для воды через носик для залива воды. Для слива воды из резервуара наклоните основание назад и слейте воду (Рис. 3).
- Прежде чем убрать прибор на хранение, обязательно отключите его от электросети и дайте ему остыть.

### **Автоматическое отключение**

Прибор оснащен функцией автоматического отключения. Прибор автоматически выключается, если по прошествии двух минут с момента подключения к сети не была нажата ни одна кнопка. Также прибор автоматически выключается по прошествии установленного времени приготовления (включая время работы режима поддержания температуры).

### **Защита от выкипания**

Пароварка оснащена функцией защиты от выкипания. Функция защиты от выкипания автоматически выключает нагревательный элемент пароварки, если резервуар для воды пустой или вода выкипела в процессе приготовления. Чтобы продолжить использование прибора, заполните резервуар холодной водой до отметки MAX.

### **Электромагнитные поля (ЭМП)**

Данный прибор Philips соответствует стандартам по электромагнитным полям (ЭМП). При правильном обращении согласно инструкциям, приведенным в руководстве по эксплуатации, использование прибора безопасно в соответствии с современными научными данными.

### **Перед первым использованием**

- 1 Перед первым использованием прибора тщательно вымойте все детали, которые будут контактировать с продуктами (см. главу “Очистка и уход”).
- 2 Протрите внутреннюю поверхность резервуара для воды мягкой тканью.

### **Подготовка прибора к работе**

- 1 Установите прибор на устойчивой горизонтальной и ровной поверхности.
- 2 Перед включением полностью размотайте сетевой шнур с катушки на подставке прибора.
- 3 Заполните резервуар для воды до отметки максимального уровня (MAX) чистой водой (Рис. 4).
- ▶ Пароварка рассчитана примерно на 60 минут работы при наполнении резервуара для воды до максимального уровня.

Не заполняйте резервуар для воды выше отметки максимального уровня (MAX).

Не наливайте в резервуар для воды ничего кроме воды. Запрещается добавлять приправы, соусы, масло или другие вещества в резервуар для воды.

- 4 Установите поддон на резервуар для воды на основании (Рис. 5).

*Примечание* Запрещается пользоваться прибором без поддона для капель, а также наливать на поддон воду, приправы, масло и другие вещества.

- 5 Для усиления аромата приготовляемой пищи поставьте отсек для приправ на поддон для капель. (Рис. 6)
- Наполните отсек для приправ свежими или сухими травами.
  - В главе “Таблица продуктов и советы по приготовлению на пару” приводятся рекомендуемые травы и специи для различных блюд.

**6** Положите продукты в одну или несколько паровых корзин и/или в чашу для супа (только для модели HD9190). (Рис. 7)

- Устанавливайте съемные поддоны в паровые корзины только сверху. Чтобы правильно расположить поддон, сначала опустите один край поддона, а затем — другой (должен прозвучать щелчок). Обратите внимание: изгиб на съемном поддоне должен находиться сверху (Рис. 2).
- Не кладите слишком много продуктов в паровые корзины. Оставляйте некоторое пространство между порциями и равномерно распределяйте продукты на дне паровой корзины.
- Только для модели HD9189: для приготовления риса можно использовать легкую чашу, которая устанавливается в паровую корзину. Для обеспечения нормальной циркуляции пара в пароварке вокруг чаши должно оставаться свободное пространство.
- Большие порции и продукты, приготовление которых занимает больше времени, кладите в нижнюю паровую корзину (1).
- Для удобной варки яиц помещайте их в держатель (Рис. 8).
- Для приготовления на пару продуктов крупного размера (например, цыплят или початков кукурузы) можно вынуть съемные поддоны из средней (2) и большой (3) паровых корзин. Таким образом, вы получите одну большую паровую емкость.

*Примечание Максимальная вместимость паровых корзин составляет 1 кг.*

**7** Поставьте одну или несколько паровых корзин на поддон для капель. Убедитесь в правильности установки корзин и в устойчивости их положения (Рис. 9).

- Использование всех 3 паровых корзин не обязательно.
- Паровые корзины пронумерованы (1—3). Номера указаны на ручках корзин. Корзину большего размера можно установить на более маленькую, однако рекомендуется устанавливать корзины в порядке увеличения размера: сначала малая корзина (1), затем средняя корзина (2) и, наконец, большая корзина (3). Всегда устанавливайте корзины на поддон для капель, никогда не ставьте в пароварку пустые паровые корзины (Рис. 10).
- Только для модели HD9190. Чаша для супа предназначена для приготовления супов, других жидких блюд, а также рыбы. При необходимости использовать чашу для супа поставьте ее в большую паровую корзину (3) (Рис. 11).
- Только для модели HD9190. Если для увеличения пространства из большой паровой корзины (3) убран съемный поддон, и основанием служит поддон средней паровой корзины (2), по-прежнему можно установить чашу для супа, чтобы приготовить рыбу, рис или суп (Рис. 12).
- Если для увеличения пространства из средней паровой корзины (2) убран съемный поддон, и основанием служит поддон малой паровой корзины (1), сверху по-прежнему можно установить большую паровую корзину (3).

**8** Верхнюю паровую корзину закрывайте крышкой (Рис. 13).

*Примечание Если крышка не установлена или установлена неправильно, продукты не подвергаются обработке паром в нужной степени.*

### Использование прибора

В пароварке предусмотрено 2 режима приготовления на пару:

- 1 Ручной режим для быстрого включения пароварки.
- 2 Программный режим:
  - Комплексный режим приготовления: приготовление комплексного обеда с использованием различного времени приготовления для каждой паровой корзины.
  - Предустановленный режим приготовления: приготовление различных блюд с использованием заданных значений времени и температуры.

Для получения более подробной информации об этих режимах ознакомьтесь с соответствующими главами ниже.

### Общие рекомендации

Следующие рекомендации, описанные ниже, применимы для всех трех режимов приготовления.

- 1** Вставьте вилку сетевого шнура в розетку электросети.
  - ▶ Загорается подсветка кнопки питания, на экране появляется время приготовления, установленное по умолчанию (20 минут) (Рис. 14).
- 2** Выберите один из двух режимов приготовления на пару и следуйте инструкциям в разделах, посвященных соответствующим режимам приготовления.

*Примечание* Одновременное использование нескольких режимов приготовления на пару невозможно. Также не допускается одновременное включение комплексного и предустановленного режимов приготовления.

*Примечание* В случае приготовления больших объемов продуктов перемешайте их в середине процесса приготовления, используя кухонные приборы с длинными ручками. Не забудьте надеть кухонные рукавицы.

*Примечание* В первые 5 минут приготовления на пару загорается индикатор турборежима. Это значит, что для быстрого разогрева прибора используется дополнительная мощность.

- 3** По окончании приготовления на пару прибор издает 5 звуковых сигналов и автоматически переключается в режим поддержания температуры (см. раздел “Режим поддержания температуры”).

- 4** По окончании использования аккуратно снимите крышку.

Остерегайтесь выхода горячего пара из пароварки при снятии крышки.

*Примечание* Во избежание ожогов, перед тем как снять крышку, наденьте кухонные рукавицы. Снимайте крышку постепенно и при этом не стойте к прибору слишком близко. Сливайте капли конденсата с крышки в паровую корзину.

*Примечание* Чтобы достать продукты из паровых корзин, используйте кухонные приспособления с длинными ручками.

- 5** Прежде чем снять паровую корзину с прибора, подождите, пока конденсат стечет в корзину, расположенную ниже, или в поддон для капель.
- 6** Перед тем как снять поддон для капель, отключите прибор от электросети и дайте ему полностью остыть.
- 7** Сливайте воду из резервуара для воды после каждого использования. Для слива воды из резервуара для воды наклоните основание назад и слейте воду (Рис. 3).

Снимайте поддон и сливайте воду из резервуара с осторожностью, так как вода в резервуаре и поддоне может оставаться горячей, даже если другие части пароварки остыли.

*Примечание* Если во время приготовления на пару вода выкипела, загорится индикатор пустого резервуара для воды, сигнализирующий о необходимости долива воды в резервуар (Рис. 15).

*Примечание* При необходимости приготовления большего количества пищи, вам потребуется больше воды. Вы можете доливать воду в резервуар небольшими порциями через носик для залива воды.

*Примечание* По истечении 2 минут бездействия прибор автоматически перейдет в режим ожидания. Для включения панели управления нажмите кнопку старт/стоп.

## Ручной режим

Используйте этот режим для быстрого включения пароварки.

- 1 С помощью кнопки настройки таймера выберите время приготовления на пару (Рис. 16).
- 2 Для запуска приготовления нажмите кнопку старт/стоп (Рис. 17).
  - ▶ Начнется процесс приготовления. Начнет мигать индикатор старт/стоп и индикатор турборежима, на таймере начнется обратный отсчет времени приготовления (Рис. 18).
  - ▶ По окончании установленного времени приготовления прибор издает звуковой сигнал и переключается в режим поддержания температуры, загорается индикатор режима поддержания температуры (Рис. 19).

## Программный режим: комплексный режим приготовления

Используйте этот режим для комплексного обеда при необходимости выбора различного времени приготовления для продуктов в разных паровых корзинах. Приготовление автоматически начинается в корзине, для которой установлено наибольшее время приготовления, при необходимости загрузки следующей корзины (с продуктами, требующими меньшего времени приготовления) раздается звуковой сигнал. Корзина, для которой установлено наименьшее время приготовления, загружается в последнюю очередь.

*Примечание* Если для приготовления нескольких блюд используются не все три корзины, с помощью таймера настройте время приготовления для используемых корзин.

- 1 Нажмите кнопку комплексного режима приготовления. (Рис. 20)
  - ▶ Загорится индикатор комплексного режима приготовления, а также кнопки паровых корзин (Рис. 21).
- 2 Нажмите кнопку паровой корзины 1, 2 или 3 для выбора корзины. (Рис. 22)
  - ▶ Начнет мигать индикатор соответствующей корзины.
- 3 С помощью кнопок настройки таймера отрегулируйте время приготовления для продуктов в выбранной паровой корзине. (Рис. 23)
- 4 Для подтверждения настроек снова нажмите кнопку выбранной паровой корзины. (Рис. 24)
  - ▶ Под кнопкой паровой корзины загорится точка. Это означает, что время установлено.
- 5 Для настройки времени приготовления продуктов в остальных паровых корзинах повторите действия, описанные в шагах 2—4.
- 6 Положите ингредиенты в паровые корзины. Если используются все три паровые корзины, продукты с наибольшим временем приготовления положите в малую корзину (1), продукты, для приготовления которых требуется меньше времени, положите в среднюю корзину (2), продукты с самым коротким временем приготовления положите в самую большую корзину (3).
- 7 Установите паровую корзину с продуктами, приготовление которых займет больше всего времени, на основании пароварки.
- 8 Нажмите кнопку старт/стоп (Рис. 17).
  - ▶ Начнется приготовление в паровой корзине, продукты в которой требуют наибольшего времени приготовления. Индикатор старт/стоп будет медленно мигать, на таймере начнется обратный отсчет времени.
  - ▶ Через некоторое время на приборе раздается звуковой сигнал, индикатор паровой корзины, для которой установлено меньшее время приготовления, начнет быстро мигать, сигнализируя о необходимости установки этой корзины (Рис. 25).

- 9** Поставьте корзину с продуктами, для которых установлено меньшее время приготовления, на паровую корзину, установленную в пароварке, и нажмите мигающую кнопку паровой корзины или кнопку старт/стоп.
- 10** В пароварке продолжится процесс приготовления.
- ▮ Индикатор старт/стоп будет медленно мигать, на таймере начнется обратный отсчет времени.
  - ▮ Через некоторое время на приборе раздастся звуковой сигнал, начнет мигать индикатор паровой корзины, для которой установлено самое короткое время приготовления, сигнализируя о необходимости установки этой корзины.
- 11** Поставьте корзину, для которой установлено самое короткое время приготовления, на паровые корзины, уже установленные в пароварке, и нажмите мигающую кнопку паровой корзины или кнопку старт/стоп.
- 12** В пароварке продолжится процесс приготовления.
- ▮ Индикатор старт/стоп будет медленно мигать, на таймере начнется обратный отсчет времени.
  - ▮ По окончании установленного времени приготовления, прибор издает звуковой сигнал и переключается в режим поддержания температуры. Начинает медленно мигать индикатор режима поддержания температуры и индикатор старт/стоп.

### **Программный режим: предустановленный режим приготовления**

---

Используйте этот режим для приготовления особых продуктов с оптимальными настройками времени приготовления и температуры.

*Примечание При использовании предустановленного режима нижнюю корзину необходимо установить непосредственно на поддон для капель.*

*Примечание Для программ предустановленного режима по сравнению с ручным режимом установлено более длительное время приготовления. Это обусловлено тем, что температура приготовления в этом режиме в основном составляет менее 100 °С, обеспечивая оптимальные результаты приготовления.*

- 1** Нажмите кнопку предустановленного режима приготовления (Рис. 26).
- ▮ Загорится индикатор предустановленного режима приготовления, а также кнопки 4 предустановленных режимов (Рис. 27).
- 2** Нажмите кнопку одного из четырех предустановленных режимов.
- Для приготовления рыбы нажмите кнопку со значком рыбы (Рис. 28).
  - Для приготовления картофеля нажмите кнопку со значком картофеля (Рис. 29).
  - Для приготовления риса нажмите кнопку со значком риса (Рис. 30).
  - Для приготовления свежих овощей нажмите кнопку со значком овощей (Рис. 31).
- 3** При необходимости время приготовления можно отрегулировать при помощи кнопки настройки таймера, учитывая количество и размер продуктов в паровой корзине.
- 4** Нажмите кнопку старт/стоп.
- ▮ Начинается процесс приготовления, медленно мигает кнопка старт/стоп. На дисплее отображается отсчет времени таймера и текущая температура приготовления для выбранного предустановленного режима.
  - ▮ По окончании установленного времени приготовления, прибор издает звуковой сигнал и переключается в режим поддержания температуры, загорается индикатор режима поддержания температуры.

## Режим поддержания температуры

По окончании приготовления на пару пароварка автоматически переключается в режим поддержания температуры, загорается индикатор режима поддержания температуры.

В режиме поддержания температуры температура пищи сохраняется в течение 20 минут.

- Чтобы сохранить пищу теплой более 20 минут, установите время для режима поддержания температуры при помощи кнопок настройки таймера.
- Чтобы отключить режим поддержания температуры во время его работы, нажмите кнопку старт/стоп.

### Очистка и уход

Запрещается использовать для чистки прибора губки с абразивным покрытием, абразивные чистящие средства или растворители типа бензина или ацетона.

**1** Отключите прибор от электросети и дайте ему остыть.

**2** Протрите наружную поверхность влажной тканью.

Запрещается погружать основание в воду или мыть его под струей воды.

**3** Очистите резервуар для воды тканью, смоченной в теплой воде с добавлением моющего средства. Затем протрите резервуар чистой влажной тканью.

**4** Вымойте крышку в теплой воде с добавлением жидкого моющего средства.

Запрещается мыть крышку в посудомоечной машине.

**5** Извлеките съемные поддоны из паровых корзин. Очистите паровые корзины, съемные поддоны, отсек для приправ, поддон для капель и чашу для супа (только для модели HD9190) в теплой воде с добавлением жидкого моющего средства. Эти детали также можно мыть в посудомоечной машине, установив короткий цикл и низкую температуру.

Регулярная мойка паровых корзин в посудомоечной машине может привести к незначительному помутнению пластика.

### Очистка от накипи

При появлении накипи в резервуаре для воды прибор следует очистить. Для максимальной эффективности работы прибора и продления срока его службы необходимо регулярно проводить очистку от накипи.

**1** Заполните резервуар для воды белым уксусом (крепостью 8 %) до отметки максимального уровня (MAX).

Не используйте никакое другое средство для снятия накипи.

**2** Установите поддон для капель и малую паровую корзину (1) на основание должным образом (Рис. 32).

**3** Закройте малую паровую корзину крышкой (Рис. 33).

**4** Вставьте вилку сетевого шнура в розетку электросети.

**5** Нажмите кнопку старт/стоп для активации панели управления.

**6** Нажмите кнопку старт/стоп, прибор включится на 20 минут (Рис. 17).

Если уксус при кипении начнет выплескиваться за края основания, отключите прибор от электросети и отлейте часть уксуса.

**7** После того как прозвучит звуковой сигнал, отключите прибор от сети и дайте уксусу остыть. Слейте раствор из резервуара для воды.

**8** Несколько раз промойте резервуар для воды холодной водой.

*Примечание* Если в резервуаре еще осталась накипь, повторите описанную выше процедуру.

### Хранение

- 1** Прежде чем убрать прибор на хранение, убедитесь, что все его детали сухие и чистые (см. главу “Очистка и уход”).
- 2** При хранении обмотайте шнур питания вокруг катушки на подставке прибора (Рис. 34).
- 3** Установите поддон для капель на основание прибора (Рис. 35).
- 4** Убедитесь, что съемные поддоны должным образом установлены в паровые корзины.
- 5** Установите большую паровую корзину (3) на поддон для капель. Среднюю паровую корзину (2) поставьте на большую корзину (3). Малую паровую корзину (1) установите на среднюю корзину (2) (Рис. 36).
- 6** Только для модели HD9190: чашу для супа поставьте в малую паровую корзину (1).
- 7** Накройте чашу для супа (только для модели HD9190) или малую паровую корзину крышкой (Рис. 37).

### Гарантия и обслуживание

При возникновении проблемы или при необходимости получения сервисного обслуживания или информации посетите веб-сайт Philips [www.philips.com/support](http://www.philips.com/support) или обратитесь в центр поддержки потребителей Philips в вашей стране (номер телефона центра указан на гарантийном талоне). Если в вашей стране подобный центр отсутствует, обратитесь в местную торговую организацию Philips.

### Защита окружающей среды

- После окончания срока службы не выбрасывайте прибор вместе с бытовыми отходами. Передайте его в специализированный пункт для дальнейшей утилизации. Этим вы поможете защитить окружающую среду (Рис. 38).

### Поиск и устранение неисправностей

Данная глава посвящена наиболее распространенным проблемам, возникающим при использовании прибора. Если самостоятельно справиться с возникшими проблемами не удастся, обратитесь в центр поддержки потребителей в вашей стране.

Проблема	Возможная причина	Способы решения
Пароварка не работает.	Пароварка не подключена к электросети.	Вставьте вилку сетевого шнура в розетку электросети.
	В резервуаре недостаточное воды.	Наполните резервуар для воды.
	Кнопка старт/стоп не была нажата.	Нажмите кнопку старт/стоп.
Некоторые продукты не готовы.	Некоторые куски продуктов могут быть больше и/или требовать более длительного приготовления, чем другие.	Установите более продолжительное время приготовления на пару при помощи кнопки “+”.



Проблема	Возможная причина	Способы решения
		Положите большие порции и продукты с более длительным временем приготовления в малую паровую корзину (1) и включите приготовления на пару. По прошествии некоторого времени установите другие паровые корзины.
	В паровых корзинах слишком много продуктов.	Не перегружайте паровые корзины. Порежьте продукты и положите самые маленькие кусочки сверху.  Оставляйте некоторое пространство между порциями и равномерно распределяйте продукты на дне паровой корзины.
Прибор не нагревается как следует.	Регулярная очистка от накипи не проводится.	Очистите прибор от накипи. См. главу "Очистка и уход".
Во время приготовления на пару из резервуара для воды расплескивается вода.	В резервуаре слишком много воды.	Слейте лишнюю воду из резервуара. Уровень воды не должен превышать отметку MAX.
Индикатор пустого резервуара для воды загорается даже когда в резервуаре достаточно воды.	На нагревательном элементе скопилось большое количество накипи.	Очистите резервуар для воды от накипи. См. раздел "Очистка от накипи" в главе "Очистка и уход".
Эффект от использования отсека для приправ несущественный или его нет вовсе.	В отсек для приправ было загружено мало специй.	Положите в отсек для приправ больше специй.
	В отсек для приправ были загружены неподходящие специи.	Положите в отсек для приправ специи с сильным ароматом. Ознакомьтесь с таблицей "Таблица продуктов и советы по приготовлению на пару".
	Блюдо было подано спустя долгое время после окончания приготовления.	Блюдо желательно подавать сразу после приготовления.

Проблема	Возможная причина	Способы решения
На поверхности воды в резервуаре или на поддоне для капель образуется пена.	Появление пены возможно в случаях, когда белковые ингредиенты попали в резервуар для воды или в резервуаре для воды после чистки осталось моющее средство.	Очистите резервуар для воды. См. главу "Очистка и уход".

### Таблица продуктов и советы по приготовлению на пару

- Рецепты можно найти в буклете с рецептами или на веб-сайте [www.philips.com/kitchen](http://www.philips.com/kitchen).
- Время приготовления на пару, указанное в таблице ниже, является приблизительным. Время приготовления различается в зависимости от размеров порций, состояния между продуктами в паровой корзине, количества и свежести продуктов, а также индивидуальных предпочтений.

### Рецептурная таблица

Продукты для приготовления	Количество	Время варки (мин)	Травы/специи, которые можно использовать в отсеке для приправ
Спаржа	500 г	15-20	Тимьян, базилик, лимон
Мини-кукуруза	200 г	5-8	Лук-шнит, чили, паприка
Зеленая фасоль	500 г	15-20	Петрушка, лимон, чеснок
Брокколи	400 г	20	Чеснок, молотый красный перец, чили, эстрагон
Морковь	500 г	20	Петрушка, сухая горчица, лук-шнит
Соцветия цветной капусты	400 г	20	Розмарин, базилик, эстрагон
Сельдерей (в кубиках)	300 г	15-20	Тмин, белый перец, чили
Куриная нога	1 шт.	25	Черный перец, лимон, паприка
Сердцевина кукурузного початка	500 г	30-40	Петрушка, чеснок, лук-шнит
Цукини (резаные)	500 г	10	Укроп, шалфей, розмарин
Кускус	150 г + 250 мл воды	10-15	Тмин, кориандр, гвоздика
Яйца	6 шт.	12-15	-
Фрукты	500 г/4 шт.	10-15	Корица, лимон, гвоздики
Горох (замороженный)	400 г	20-25	Розмарин, тмин, петрушка
Картофель	400 г	25-30	Петрушка, лук-шнит, чеснок

Продукты для приготовления	Количество	Время варки (мин)	Травы/специи, которые можно использовать в отсеке для приправ
Креветки	200 г	5	Порошок карри, шафран, лимон
Пудинг	4 чаши	20	Корица, гвоздики, ваниль
Рис	150 г + 300 мл воды	35	Пандан, чеснок, тмин
	250 г + 500 мл воды	35	Пандан, чеснок, тмин
Лосось	450 г	12-15 мин.	Укроп, петрушка, базилик
Белая рыба	450 г	10–15	Сухая горчица, гвоздика, майоран

### Значения времени приготовления для различных режимов (Рис. 39)

#### Советы по варке продуктов

##### Отсек для приправ

- Розмарин, тимьян, кориандр, базилик, укроп, карри и эстрагон великолепно подходят для использования в отсеке для приправ. К ним можно добавлять чеснок, тмин или хрен, чтобы усилить вкус блюда без добавления соли. Рекомендуется закладывать 1/2—3 столовых ложки сухой зелени или приправ. Если используются свежие специи или зелень, их потребуется большее количество.
- Эффект от использования отсека для приправ максимален для продуктов, расположенных в нижней паровой корзине, которая установлена непосредственно на поддон для капель.
- Таблица выше содержит дополнительные рекомендации по использованию трав, специй и жидких добавок в отсеке для приправ.
- Чтобы усилить эффект от использования отсека для приправ и дополнить вкус блюда, рекомендуется смазывать продукты растительным маслом.
- Для оптимального результата измельчите зелень и равномерно распределите в отсеке для приправ.
- Чтобы в полной мере насладиться вкусом, рекомендуется подавать блюдо сразу же после приготовления.
- Не наливайте в отсек для приправ жидкости.

##### Овощи и фрукты

- Нарезьте толстыми кусками кочанную капусту, цветную и брокколи.
- Варите листовые, зеленые овощи максимально короткое время, так как они легко теряют цвет.
- Перед варкой на пару не размораживайте замороженные овощи.

##### Мясо, птица, морепродукты и яйца

- Нежные куски мяса с жирком лучше всего подходят для приготовления на пару.
- Тщательно промойте и просушите мясо, чтобы пропало как можно меньше сока.
- Мясо, птицу, рыбу или яйца следует располагать ниже других продуктов во избежание попадания на них сока.
- Прокалывайте скорлупу яиц, прежде чем положить их в пароварку.
- Готовить на пару замороженное мясо, птицу или морепродукты нельзя. Обязательно разморозьте мясо, птицу или морепродукты перед помещением в пароварку.

### **Десерты**

- Для усиления вкуса, вместо добавления дополнительного количества сахара, можно добавить немного корицы.

### **Общие рекомендации**

- Только для модели HD9190: для приготовления риса необходимо положить рис в чашу для супа и залить водой. Количество воды см. в таблице выше.
- По окончании приготовления риса в предустановленном режиме, отключите прибор, перемешайте рис и оставьте томиться под крышкой на 5 минут. Рис станет еще вкуснее.
- Только для модели HD9190: чашу для супа можно использовать для приготовления овощей с подливой, отварной рыбы, маринованных продуктов, а также пудингов, супов и риса.
- Оставляйте некоторое пространство между порциями и равномерно распределяйте продукты на дне паровой корзины.
- Если корзина заполнена большим количеством продуктов, во время приготовления помешивайте их.
- Небольшие количества продуктов требуют меньше времени варки, чем большие количества.
- При использовании только одной паровой корзины, для готовности продуктов требуется меньше времени, чем при использовании двух или трех корзин.
- При использовании нескольких паровых корзин увеличивайте время приготовления на 5—10 минут.
- В малой паровой корзине (1) продукты готовятся быстрее, чем в корзинах, расположенных наверху.
- Перед употреблением проверьте готовность пищи. Это особенно важно при приготовлении свинины, говяжьего фарша и птицы.
- В процессе приготовления на пару можно класть другие ингредиенты или устанавливать на прибор паровые корзины с продуктами. Если для приготовления блюда требуется меньше времени, положите его в пароварку позже.
- После переключения в режим поддержания температуры пища еще некоторое время будет готовиться. Если продукты уже полностью готовы, извлеките их из пароварки по окончании приготовления на пару и переключения прибора в режим поддержания температуры.
- Если пища не готова, установите более продолжительное время приготовления. Возможно, потребуются долить немного воды в резервуар.
- Только для модели HD9190: пароварку можно использовать для подогрева уже готового супа. Налейте суп в чашу для супа, выберите предустановленный режим для приготовления рыбы. Для подогрева 250 мл супа потребуется примерно 10 минут.

Парогенератор

Изготовитель: "Филипс Консьюмер Лайфстайл Б.В.",

Туссендиенп 4, 9206 АД, Драхтен, Нидерланды

Импортер на территорию России и Таможенного Союза:

ООО «Филипс», Российская Федерация, 123022 г.

Москва, ул. Сергея Макеева, д.13, тел. +7 495 961-1111

HD9190, HD9189: 2000W, 220-240V, 50-60Hz

Для бытовых нужд

## Úvod

Gratulujeme Vám ku kúpe a vitajte medzi zákazníkmi spoločnosti Philips! Ak chcete využiť všetky výhody zákazníckej podpory spoločnosti Philips, zaregistrujte svoj výrobok na adrese [www.philips.com/welcome](http://www.philips.com/welcome).

## Opis zariadenia (Obr. 1)

- 1 Ovládací panel s displejom a tlačidlami
  - a Vypínač a tlačidlo pauza
  - b Tlačidlá nastavenia časovača
  - c Kontrolné svetlo „Prázdny zásobník na vodu“
  - d Tlačidlá košíkov na dusenie (1, 2, 3)
  - e Tlačidlo programu pre jedlá
  - f Tlačidlo programu šéfkuchára
  - g Tlačidlá s predvolenými programami šéfkuchára (ryby, zemiaky, ryža, zelená zelenina)
  - h Ukazovateľ času
  - i Kontrolné svetlo udržiavania teploty
  - j Kontrolné svetlo Turbo
- 2 Podstavec so zásobníkom na vodu
- 3 Teplotný snímač
- 4 Podnos na odkvapkávanie
- 5 Rozptyľovač arómy
- 6 Malý košík na dusenie (1)
- 7 Stredne veľký košík na dusenie (2)
- 8 Veľký košík na dusenie (3)
- 9 Miska na polievku (iba model HD9190)
- 10 Veko
- 11 Otvory na odvádzanie pary
- 12 Rukoväť veka
- 13 Odnímateľné dno
- 14 Otvor na dopĺňanie vody
- 15 Prvok na odkladanie kábla

*Poznámka: Košíky na dusenie sú označené číslicami 1 až 3. Číselné označenie každého košíka na dusenie nájdete na ich rukovätiach. Ktorýkoľvek väčší košík je vždy možné položiť na niektorý z menších košíkov, no najlepšie sedia vtedy, ak sú uložené v logickom stúpajúcom poradí: najskôr najmenší (1), potom stredne veľký (2) a napokon najväčší košík (3).*

*Poznámka pre model HD9190: Misku na polievku možno použiť najlepšie v kombinácii s najväčším košíkom (3).*

*Poznámka: Pod košíky na dusenie vždy umiestnite podnos na odkvapkávanie a používajte iba košíky, ktoré sú naplnené jedlom.*

## Dôležité

Pred použitím zariadenia si pozorne prečítajte tento návod na použitie a uschovajte si ho na použitie v budúcnosti.

### Nebezpečenstvo

- Podstavec nikdy neponárajte do vody, ani ho neoplachujte pod tečúcou vodou.

**Varovanie**

- Pred pripojením zariadenia skontrolujte, či sa napätie uvedené na zariadení zhoduje s napätím v sieti.
- Zariadenie pripojte jedine do uzemnenej sieťovej zásuvky. Skontrolujte, či je zariadenie riadne pripojené do elektrickej siete.
- Toto zariadenie nie je určené na ovládanie prostredníctvom externého časovača ani samostatného systému diaľkového ovládania.
- Ak je poškodená zástrčka, sieťový kábel alebo samotné zariadenie, nepoužívajte ho.
- Poškodený sieťový kábel smie vymeniť jedine personál spoločnosti Philips, servisného strediska autorizovaného spoločnosťou Philips alebo osoba s podobnou kvalifikáciou, aby nedošlo k nebezpečnej situácii.
- Spotrebič nie je určený na používanie osobami (vrátane detí) so zníženými fyzickými, zmyslovými alebo mentálnymi schopnosťami alebo s nedostatkom skúseností a vedomostí, pokiaľ im osoba zodpovedná za ich bezpečnosť neposkytuje dohľad alebo ich nepoučila o používaní spotrebiča.
- Deti musia byť pod dozorom, aby sa nehrali so zariadením.
- Sieťový kábel musí byť mimo dosahu detí. Nenechajte ho prevísť cez okraj stola alebo kuchynskej linky, na ktorej je zariadenie položené.
- Sieťový kábel uchovávajte mimo horúcich povrchov.
- Pred pripojením zariadenia vždy úplne odmotajte sieťový kábel z cievky na podstavci.
- Nikdy neduste mrazené mäso, hydinu alebo morské živočíchy. Tieto suroviny pred dusením nechajte vždy úplne rozmraziť.
- Zariadenie na prípravu potravín na pare nikdy nepoužívajte bez podnosu na odkvapkávanie, inak môže zo zariadenia uniknúť horúca voda.
- Košíky na dusenie a misku na polievku (iba model HD9190) používajte len v kombinácii s originálnym podstavcom.

**Výstraha**

- Toto zariadenie je určené len na bežné používanie v domácnosti. Nie je určené na používanie v prostrediach, ako sú kuchyne pre zamestnancov v obchodoch, kanceláriách, farmách či inom pracovnom prostredí. Taktiež nie je určené na používanie zákazníkmi v hoteloch, motelloch, penziónoch a iných ubytovacích zariadeniach.
- V prípade, že zariadenie použijete nevhodným spôsobom, na profesionálne alebo na poloprofesionálne účely alebo ak ho používate v rozpore s pokynmi v tomto návode, záruka stratí platnosť a spoločnosť Philips nenesie žiadnu zodpovednosť za spôsobené škody.

- Nepoužívajte príslušenstvo od iného výrobcu ani diely, ktoré spoločnosť Philips výslovne neodporučila. Ak takéto príslušenstvo alebo diely použijete, záruka stratí platnosť.
- Podstavec zariadenia nikdy nevystavujte vysokým teplotám, horúcim plynom, pare ani vlhkému teplu z iných zdrojov, ako je samotné zariadenie na prípravu potravín na pare. Zariadenie na prípravu potravín na pare nepoložte na fungujúci alebo ešte horúci sporák či varič ani do ich blízkosti.
- Keď je zariadenie v prevádzke, neumiestňujte ho do blízkosti predmetov ani pod predmety, ktoré by sa mohli parou poškodiť, ako sú steny a skrinky.
- Zariadenie nepoužívajte v priestoroch, kde sú prítomné výbušné a/alebo zápalné výpary.
- Zariadenie na prípravu potravín na pare umiestnite na vodorovný a stabilný rovný povrch a zabezpečte okolo neho aspoň 10 cm voľného miesta, aby nedochádzalo k prehrievaniu.
- Odnímateľné dná vždy umiestňujte do košíkov na dusenie zvrchu. Dná umiestnite správne tak, že najskôr do košíka vložíte jednu stranu a potom druhú stranu, až kým dno nezapadne do správnej polohy (budete počuť „cvaknutie“). Skontrolujte, či vypuklina dna smeruje nahor. (Obr. 2)
- Dávajte pozor na horúcu paru vychádzajúcu zo zariadenia na prípravu potravín na pare počas dusenia, v režime udržiavania teploty alebo po zdvihnutí veka. Keď kontrolujete jedlo, vždy použite kuchynské náčinie s dlhými rúčkami.
- Nenačahujte sa nad zariadením na prípravu potravín v pare počas jeho činnosti.
- Nedotýkajte sa horúcich častí zariadenia. Pri manipulácii s horúcimi časťami zariadenia vždy použite kuchynské chňapky.
- Nepohybujte zariadením na prípravu potravín v pare počas jeho činnosti.
- Veko vždy odstraňujte opatrne a smerom od seba. Skondenzovanú paru nechajte z veka odkvapkať do zariadenia na prípravu potravín na pare, aby nedošlo k obareniu.
- Keď je jedlo horúce, vždy držte košík na dusenie za rukoväť.
- Zásobník na vodu nikdy nevyprázdňujte cez otvor na dopĺňanie vody. Ak chcete zásobník na vodu vyprázdniť, nakloňte podstavec dozadu a vylejte vodu zadnou stranou podstavca (Obr. 3).
- Pred čistením zariadenie vždy odpojte zo siete a nechajte ho vychladnúť.

### **Automatické vypínanie**

Zariadenie je vybavené funkciou automatického vypnutia. Zariadenie sa automaticky vypne, ak do 2 minút od jeho zapojenia nestlačíte žiadne tlačidlo. Zariadenie sa tiež automaticky vypne po uplynutí nastaveného času varenia na pare (vrátane času udržiavania teploty).

## Ochrana proti prehriatiu

Zariadenie na prípravu potravín na pare je vybavené ochranou proti varu naprázdno. Ochrana proti varu naprázdno automaticky vypne ohrev, ak sa v zásobníku na vodu nenachádza žiadna voda alebo ak sa voda počas používania minie. Ak chcete zariadenie znovu používať, naplňte zásobník na vodu studenou vodou až po značku MAX.

## Elektromagnetické polia (EMF)

Toto zariadenie značky Philips vyhovuje všetkým normám týkajúcim sa elektromagnetických polí (EMF). Ak budete zariadenie používať správne a v súlade s pokynmi v tomto návode na použitie, bude jeho použitie bezpečné podľa všetkých v súčasnosti známych vedeckých poznatkov.

## Pred prvým použitím

- 1 Pred prvým použitím zariadenia dôkladne očistite všetky súčasti, ktoré sa dostanú do kontaktu s potravinami (pozrite si kapitolu „Čistenie a údržba“).
- 2 Vnútro zásobníka na vodu utrite navlhčenou tkaninou.

## Príprava na použitie

- 1 Zariadenie postavte na stabilný, vodorovný a hladký povrch.
- 2 Pred pripojením zariadenia úplne odmotajte sieťový kábel z cievky na podstavci.
- 3 Zásobník na vodu naplňte vodou až po úroveň MAX (Obr. 4).
  - ▮ Keď je zásobník na vodu naplnený po úroveň MAX, zariadenie na prípravu potravín na pare dokáže vytvárať paru po dobu približne 60 minút.

Zásobník na vodu naplňte najviac po úroveň MAX.

Zásobník na vodu naplňajte len vodou. Nikdy ho nenaplňajte prísadami, olejom ani inými látkami.

- 4 Vložte podnos na odkvapkávanie na zásobník na vodu v podstavci (Obr. 5).

*Poznámka: Zariadenie nikdy nepoužívajte bez podnosu na odkvapkávanie. Do podnosu na odkvapkávanie nikdy nelejte vodu, olej ani ho nenaplňajte prísadami či inými látkami.*

- 5 Ak chcete pripravovanému jedlu dodať výnimočnú chuť, na podnos na odkvapkávanie položte rozptyľovač arómy. (Obr. 6)
  - Rozptyľovač arómy naplňte čerstvými alebo sušenými bylinkami.
  - Informácie o použití uvedených bylínok alebo korenia pre rôzne typy potravín nájdete v tabuľke dusenia potravín v kapitole „Tabuľka potravín a rady pre dusenie“.
- 6 Potraviny, ktoré chcete dusiť, vložte do košíkov na dusenie alebo do misky na polievku (iba model HD9190). (Obr. 7)
  - Odnímateľné dna vždy umiestňujte do košíkov na dusenie zvrchu. Dna umiestnite správne tak, že najskôr do košíka vložíte jednu stranu a potom druhú stranu, až kým dno nezapadne do správnej polohy (budete počuť „cvaknutie“). Skontrolujte, či vypuklina dna smeruje nahor (Obr. 2).
  - Do košíkov na dusenie nekladajte príliš veľké množstvo potravín. Jednotlivé kúsky potravín rovnomerne rozmiestnite po dne košíka a nechajte medzi nimi voľný priestor.
  - Iba model HD9189: Na varenie ryže môžete použiť ľahkú misku, ktorá sa zmestí do košíka na dusenie. Uistite sa, že je okolo misky dostatok voľného priestoru, ktorým môže riadne cirkulovať para vnútri zariadenia.
  - Veľké kusy potravín a potraviny vyžadujúce dlhšie dusenie vložte do úplne spodného košíka na dusenie (1).
  - Vajíčka vložte do držiakov na vajíčka (Obr. 8).
  - Ak chcete dusiť veľké potraviny (napr. celé kurence, kukuričné šúľky), môžete vybrať odnímateľné dna zo stredného (2) a veľkého (3) košíka na dusenie, čím vytvoríte jeden veľký košík.

*Poznámka: Maximálna kapacita košíkov na dusenie je 1 kg.*



**7 Na podnos na odkvapkávanie položte košíky na dusenie. Umiestnite ich správne a uistite sa, že sa nehýbu (Obr. 9).**

- Nemusíte použiť všetky 3 košíky na dusenie.
- Košíky na dusenie sú označené číslicami 1 až 3. Číselné označenie každého košíka na dusenie nájdete na ich rukovätiach. Ktorýkoľvek väčší košík je vždy možné položiť na niektorý z menších košíkov, no najlepšie sedia vtedy, ak sú uložené v logickom stúpajúcom poradí: najskôr najmenší (1), potom stredne veľký (2) a napokon najväčší košík (3). Pod košíky na dusenie vždy umiestnite podnos na odkvapkávanie a používajte iba košíky, ktoré sú naplnené jedlom (Obr. 10).
- Iba model HD9190: Miska na polievku je určená na prípravu polievok, iných tekutých pokrmov a rýb. Ak chcete použiť misku na polievku, vložte ju do najväčšieho košíka na dusenie (3) (Obr. 11).
- Iba model HD9190: Aj keď z najväčšieho košíka na dusenie (3) vyberiete odnímateľné dno, aby ste tak spolu so stredným košíkom na dusenie (2) pod ním vytvorili jeden väčší košík, navrch môžete stále umiestniť misku na polievku na prípravu rýb, ryže a polievok (Obr. 12).
- Keď vyberiete odnímateľné dno zo stredného košíka na dusenie (2), aby ste tak spolu s malým košíkom na dusenie (1) pod ním vytvorili jeden väčší košík, navrch môžete stále umiestniť najväčší košík na dusenie (3).

**8 Veko položte na vrchný košík na dusenie (Obr. 13).**

*Poznámka: Ak na košík na dusenie nenasadíte veko alebo ho nasadíte nesprávne, potraviny sa neudusia dôkladne.*

## Použitie zariadenia

Zariadenie na prípravu potravín na pare má dva režimy dusenia:

- 1 Manuálny režim na rýchlu aktiváciu zariadenia.
- 2 Režim programov:
  - Program pre jedlá: na prípravu kompletných jedál s rôznym časom prípravy pre každý košík.
  - Program šéfkuchára s tlačidlami s predvolenými nastaveniami: na prípravu potravín s presne určeným časom a teplotou prípravy.

Podrobnejšie informácie o tom, ako tieto režimy používať, nájdete v osobitných častiach uvedených nižšie.

### Všeobecný postup

Nasledujúce kroky platia pre všetky tri režimy dusenia.

- 1 Zástrčku zapojte do sieťovej zásuvky.**
  - ▶ Rozsvieti sa kontrolné svetlo na vypínači a na displeji sa zobrazí predvolený čas dusenia (20 minút) (Obr. 14).
- 2 Vyberte si jeden z dvoch režimov dusenia a vykonajte potrebné kroky (časti s opisom jednotlivých režimov dusenia nájdete nižšie).**

*Poznámka: Nikdy sa nedajú súčasne použiť oba režimy dusenia ani program pre jedlá spolu s programom šéfkuchára.*

*Poznámka: Ak dusíte väčšie množstvo potravín, v polovici procesu dusenia premiešajte potraviny pomocou kuchynského náčinia s dlhou rúčkou. Na ruky použite kuchynské chňapky.*

*Poznámka: Počas prvých 5 minút procesu dusenia bude svietiť kontrolné svetlo Turbo. Znamená to, že zariadenie na prípravu potravín na pare využíva viac energie, aby dosiahlo rýchle zohriatie.*

- 3 Po skončení procesu dusenia zariadenie päťkrát zapipa a potom sa automaticky prepne do režimu udržiavania teploty (pozrite si časť „Režim udržiavania teploty“).**
- 4 Po skončení opatrne zložte veko.**

Dávajte pozor na horúcu paru unikajúcu zo zariadenia po odstránení veka.

*Poznámka: Pri otváraní veka použite kuchynské chňapky, aby nedošlo k popáleniu. Pomaly zdvihnite veko smerom od seba. Skondenzovanú paru nechajte z veka odkvapkať do košíka na dusenie.*

*Poznámka: Na vyberanie jedla z košíkov na dusenie používajte kuchynské náčinie s dlhými rúčkami.*

- 5** Keď vyberiete košík na dusenie, nechajte skondenzovanú paru odkvapkať do košíka na dusenie alebo podnosu na odkvapkávanie pod ním.
- 6** Zástrčku odpojte zo sieťovej zásuvky a pred vybratím podnosu na odkvapkávanie nechajte zariadenie na prípravu potravín na pare najskôr úplne vychladnúť.
- 7** Po každom použití vyprázdnite zásobník na vodu tak, že podstavec nakloníte dozadu a vodu vylejete zo zadnej časti podstavca (Obr. 3).

Pri vyberaní podnosu na odkvapkávanie a vyprázdňovaní zásobníka na vodu dávajte pozor, lebo voda v nich môže byť ešte horúca, aj keď ostatné časti zariadenia už vychladli.

*Poznámka: Ak sa počas dusenia minie voda v zásobníku, rozsvieti sa kontrolné svetlo „Prázdny zásobník na vodu“, ktoré vás upozorní, aby ste doplnili vodu (Obr. 15).*

*Poznámka: Ak chcete udusiť ďalšie jedlo a v zásobníku potrebujete viac vody, môžete ju do zásobníka pridávať v malých množstvách cez otvor na dopĺňanie vody.*

*Poznámka: Ak zariadenie nepoužívate viac ako 2 minúty, automaticky sa prepne do pohotovostného režimu. Ovládací panel znova aktivujete stlačením vypínača.*

---

### Manuálny režim

---

Tento režim slúži na rýchlu aktiváciu parného zariadenia.

- 1** Pomocou tlačidiel časovača nastavte požadovaný čas dusenia na pare (Obr. 16).
- 2** Stlačením vypínača spustíte proces dusenia (Obr. 17).
  - Začne sa proces dusenia na pare. Kontrolné svetlo vypínača a svetlo Turbo pomaly blikajú a časovač začne odpočítavať nastavený čas dusenia (Obr. 18).
  - Po uplynutí nastaveného času dusenia zariadenie zapípa a prepne sa do režimu udržiavania teploty. Rozsvieti sa kontrolné svetlo udržiavania teploty (Obr. 19).

---

### Režim programov: program pre jedlá

---

Tento režim slúži na prípravu kompletných jedál s rôznym časom prípravy pre každý košík na dusenie. Zariadenie začne automaticky dusiť jedlo umiestnené v košíku na dusenie s najdlhším časom prípravy a pípaním vás upozorní, keď je čas vložiť košík na dusenie s kratším časom prípravy. Košík na dusenie vložený ako posledný bude mať najkratší čas prípravy.

*Poznámka: Ak na prípravu jedla nepotrebujete všetky tri košíky na dusenie, nastavte čas iba pre tie košíky na dusenie, ktoré používate.*

- 1** Stlačte tlačidlo programu pre jedlá. (Obr. 20)
  - Toto tlačidlo sa rozsvieti a začnú svietiť aj tlačidlá troch košíkov na dusenie (Obr. 21).
- 2** Stlačením tlačidla košíka na dusenie 1, 2 alebo 3 vyberte požadovaný košík na dusenie. (Obr. 22)
  - Začne blikat' príslušné tlačidlo.
- 3** Stláčaním tlačidiel časovača nastavte požadovaný čas prípravy pre zvolený košík na dusenie. (Obr. 23)
- 4** Nastavený čas potvrdte opätovným stlačením tlačidla príslušného košíka na dusenie. (Obr. 24)
  - Ak je čas nastavený, rozsvieti sa bodka pod tlačidlom daného košíka na dusenie.
- 5** Zopakujte kroky 2 až 4 a nastavte tak čas pre všetky košíky na dusenie, ktoré chcete použiť.

- 6** Do košíkov vložte suroviny. Ak používate všetky tri košíky na dusenie, vložte suroviny s najdlhším časom prípravy do najmenšieho košíka na dusenie (1), suroviny s o niečo kratším časom prípravy do stredne veľkého košíka (2) a suroviny s najkratším časom prípravy do najväčšieho košíka na dusenie (3).
- 7** Položte košík na dusenie s najdlhším časom prípravy na podstavec parného zariadenia.
- 8** Stlačte vypínač (Obr. 17).
- ▶ Spustí sa proces dusenia pre košík s najdlhším časom prípravy. Vypínač pomaly bliká a časovač začne odpočítavať čas dusenia.
  - ▶ Po určitom čase zariadenie zapípa a kontrolné svetlo košíka na dusenie s druhým najdlhším časom prípravy vás rýchlym blikaním upozorní, že je potrebné do zariadenia vložiť ďalší košík na dusenie (Obr. 25).
- 9** Položte košík na dusenie s druhým najdlhším časom prípravy navrch košíka, ktorý už je v zariadení, a stlačte blikajúce tlačidlo košíka na dusenie alebo vypínač.
- 10** Zariadenie bude pokračovať v procese dusenia.
- ▶ Vypínač pomaly bliká a časovač začne odpočítavať čas dusenia.
  - ▶ Po určitom čase zariadenie zapípa a kontrolné svetlo košíka na dusenie s najkratším časom prípravy vás blikaním upozorní, že je potrebné do zariadenia vložiť príslušný košík na dusenie.
- 11** Položte košík na dusenie s najkratším časom prípravy na prvé dva košíky a stlačte blikajúce tlačidlo košíka na dusenie alebo vypínač.
- 12** Zariadenie bude pokračovať v procese dusenia.
- ▶ Vypínač pomaly bliká a časovač začne odpočítavať čas dusenia.
  - ▶ Po uplynutí času dusenia zariadenie zapípa a prepne sa do režimu udržiavania teploty. Kontrolné svetlo udržiavania teploty a vypínač začnú pomaly blikat'.

### **Režim programov: program šéfkuchára**

Tento režim slúži na optimálnu prípravu konkrétnych surovín s presne určeným časom a teplotou prípravy.

*Poznámka: Režim šéfkuchára možno používať iba s najspodnejším košíkom na dusenie, ktorý je umiestnený priamo na podnose na odkvapkávanie.*

*Poznámka: Tlačidlá s predvolenými nastaveniami programu šéfkuchára majú dlhšie časy prípravy jedál než manuálny režim, pretože sa pri nich využíva teplota pod 100 °C, aby sa pri varení dosiahli čo najlepšie výsledky.*

- 1** Stlačte tlačidlo programu šéfkuchára (Obr. 26).
- ▶ Toto tlačidlo sa rozsvieti a začnú svietiť aj štyri príslušné tlačidlá s predvolenými nastaveniami (Obr. 27).
- 2** Stlačte jedno zo štyroch tlačidiel s predvolenými nastaveniami.
- Ak chcete pripraviť rybu, stlačte tlačidlo so symbolom ryby (Obr. 28).
  - Ak chcete pripraviť zemiaky, stlačte tlačidlo s obrázkom zemiakov (Obr. 29).
  - Ak chcete pripraviť ryžu, stlačte tlačidlo s obrázkom ryže (Obr. 30).
  - Ak chcete pripraviť zelenú zeleninu, stlačte tlačidlo s obrázkom zeleniny (Obr. 31).
- 3** V závislosti od množstva a veľkosti jednotlivých surovín v košíku na dusenie môžete v prípade potreby upraviť čas prípravy pomocou tlačidiel časovača.
- 4** Stlačte vypínač.
- ▶ Spustí sa proces dusenia a vypínač pomaly bliká. Na displeji sa striedavo zobrazuje odpočítavaný čas a aktuálna teplota prípravy pre zvolené tlačidlo s predvolenými nastaveniami.
  - ▶ Po uplynutí času dusenia zariadenie zapípa a prepne sa do režimu udržiavania teploty. Rozsvieti sa kontrolné svetlo udržiavania teploty.

## Režim udržiavania teploty

Po skončení dusenia sa zariadenie automaticky prepne do režimu udržiavania teploty a rozsvieti sa kontrolné svetlo udržiavania teploty.

- Režim udržiavania teploty uchováva teplotu jedla po dobu 20 minút.
- Ak chcete jedlo udržať teplé dlhšie ako 20 minút, stláčaním tlačidiel časovača upravte čas udržiavania teploty na požadovanú hodnotu.
  - Ak chcete vypnúť aktívny režim udržiavania teploty, stlačte vypínač.

## Čistenie a údržba

Na čistenie zariadenia nikdy nepoužívajte drsný materiál, drsné čistiace prostriedky ani agresívne kvapaliny ako benzín alebo acetón.

**1** Zástrčku odpojte zo sieťovej zásuvky a zariadenie nechajte vychladnúť.

**2** Vonkajšiu časť podstavca očistite vlhkou utierkou.

Podstavec nikdy neponárajte do vody, ani ho neoplachujte pod tečúcou vodou.

**3** Zásobník na vodu očistite tkaninou namočenou v teplej vode s malým množstvom čistiaceho prostriedku. Potom utrite zásobník na vodu čistou navlhčenou tkaninou.

**4** Veko očistite ručne v teplej vode s trochou prostriedku na umývanie riadu.

Veko nečistite v umývačke na riad.

**5** Z košíkov na dusenie vyberte odnímateľné dná. Vyčistite košíky na dusenie, odnímateľné dná, rozptyľovač arómy, podnos na odkvapkávanie a misku na polievku (iba model HD9190) ručne v teplej vode s trochou prostriedku na umývanie riadu. Tieto časti môžete umývať aj v umývačke na riad. V takom prípade použite krátky cyklus s nízkou teplotou vody.

Opakované čistenie košíkov na dusenie v umývačke na riad môže spôsobiť, že tieto súčasti zostanú matné.

## Odstraňovanie vodného kameňa

Keď v zásobníku na vodu uvidíte usadený vodný kameň, musíte ho zo zariadenia odstrániť. Pravidelné odstraňovanie vodného kameňa je veľmi dôležité na zachovanie optimálneho výkonu zariadenia.

**1** Zásobník na vodu naplňte bielym octom (8-percentná kyselina octová) až po úroveň MAX.

Nepoužívajte žiadny iný druh prostriedku na odstraňovanie vodného kameňa.

**2** Podnos na odkvapkávanie a malý košík na dusenie (1) položte správne na podstavec (Obr. 32).

**3** Na malý košík na dusenie nasadte veko (Obr. 33).

**4** Zástrčku zapojte do sieťovej zásuvky.

**5** Stlačením vypínača aktivujte ovládací panel.

**6** Stlačením vypínača uveďte zariadenie do prevádzky na 20 minút (Obr. 17).

Ak ocot začne kypieť cez okraj podstavca, odpojte zariadenie a odoberte časť octu.

**7** Keď zariadenie zapípa, odpojte ho a nechajte ocot úplne vychladnúť. Potom vyprázdnite zásobník na vodu.

**8** Zásobník na vodu niekoľkokrát vypláchnite studenou vodou.

*Poznámka: Ak sa v zásobníku na vodu stále nachádzajú zvyšky usadenín, celý postup zopakujte.*

## Odkladanie

- 1 Pred odložením zariadenia sa uistite, že sú všetky jeho časti čisté a suché (pozrite si kapitolu „Čistenie a údržba“).
- 2 Sieťový kábel pred odložením navíňte na cievku v podstavci (Obr. 34).
- 3 Do podstavca vložte podnos na odkvapkávanie (Obr. 35).
- 4 Uistite sa, že sú odnímateľné dna správne vložené v košíkoch na dusenie.
- 5 Položte veľký košík na dusenie (3) na podnos na odkvapkávanie. Stredne veľký košík na dusenie (2) vložte do veľkého košíka na dusenie (3) a malý košík (1) do stredne veľkého košíka na dusenie (2) (Obr. 36).
- 6 Iba model HD9190: Misku na polievku vložte do malého košíka na dusenie (1).
- 7 Veko nasadte na misku na polievku (iba model HD9190) alebo na malý košík na dusenie (Obr. 37).

## Záruka a servis

Ak potrebujete servis, informácie alebo máte problém, navštívte webovú stránku spoločnosti Philips na adrese **www.philips.com/support** alebo sa obráťte na Stredisko starostlivosti o zákazníkov spoločnosti Philips vo svojej krajine. Telefónne číslo strediska nájdete v priloženom celosvetovo platnom záručnom liste. Ak sa vo Vašej krajine toto stredisko nenachádza, obráťte sa na miestneho predajcu výrobkov značky Philips.

## Životné prostredie

- Zariadenie na konci jeho životnosti neodhadzujte spolu s bežným komunálnym odpadom, ale kvôli recyklácii ho zanezte na miesto oficiálneho zberu. Pomôžete tak chrániť životné prostredie (Obr. 38).

## Riešenie problémov

Táto kapitola obsahuje zhmutie najbežnejších problémov, ktoré sa môžu vyskytnúť pri používaní zariadenia. Ak nevíete problém vyriešiť pomocou nižšie uvedených informácií, obráťte sa na Stredisko starostlivosti o zákazníkov vo Vašej krajine.

Problém	Možná príčina	Riešenie
Zariadenie na prípravu potravín na pare nefunguje.	Zariadenie na prípravu potravín na pare nie je zapojené do siete.	Zástrčku zapojte do sieťovej zásuvky.
	V zásobníku na vodu nie je žiadna voda.	Naplňte zásobník na vodu.
Ešte nie sú udusené všetky potraviny.	Ešte ste nestlačili vypínač.	Stlačte vypínač.
	Niektoré kúsky jedla v zariadení na prípravu potravín na pare sú väčšie a/alebo vyžadujú dlhšiu dobu dusenia ako ostatné.	Pomocou tlačidla + nastavte dlhšiu dobu dusenia.

Veľké kusy potravín a potraviny vyžadujúce dlhšie dusenie vložte do malého košíka na dusenie (1) a začnite s dusením skôr, ako pridáte ďalšie košíky.

Problém	Možná příčina	Riešenie
	Do košíkov na dusenie ste vložili príliš veľa potravín.	Košíky na dusenie neprepĺňajte. Potraviny pokrývajte na menšie kúsky a na vrch poukladajte najmenšie kúsky.  Jednotlivé kúsky potravín rovnomerne rozmiestnite po dne košíka a nechajte medzi nimi voľný priestor.
Zariadenie správne nezohrieva.	Vodný kameň zo zariadenia odstraňujete nepravidelne.	Odstráňte vodný kameň zo zariadenia. Pozrite kapitolu „Čistenie a údržba“.
Zo zásobníka na vodu uniká počas dusenia voda.	Do zásobníka ste napustili príliš veľa vody.	Odstráňte prebytočnú vodu zo zásobníka. Zásobník naplňte najviac po úroveň MAX.
Kontrolné svetlo „Prázdny zásobník na vodu“ sa rozsvieti aj v prípade, že je v zásobníku dostatok vody.	Na ohrevnom telese je príliš veľa vodného kameňa.	Odstráňte vodný kameň zo zásobníka. Pozrite si časť „Odstraňovanie vodného kameňa“ v kapitole „Čistenie a údržba“.
Rozptyľovač arómy nemá žiadny alebo takmer žiadny efekt.	Do rozptyľovača arómy ste vložili málo bylínok.	Pridajte do rozptyľovača arómy viac bylínok.
	Do rozptyľovača arómy ste vložili nevhodné bylinky.	Do rozptyľovača arómy je potrebné vložiť bylinky s výraznou arómou. Pozrite si tabuľku dusenia potravín v kapitole „Tabuľka potravín a rady pre dusenie“.
	Jedlo ste konzumovali dlho po tom, čo bolo pripravené.	Jedlá konzumujte hneď po ich príprave.
Vo vode v zásobníku alebo na podnose na odkvapkávanie je pena.	Pena vo vode sa môže vytvoriť vtedy, keď sa do zásobníka na vodu dostanú proteíny alebo v ňom zostanú zvyšky čistiaceho prostriedku.	Vyčistite zásobník na vodu. Pozrite si kapitolu „Čistenie a údržba“.

### Tabuľka potravín a rady pre dusenie

- Recepty nájdete v našej brožúre s receptami na webovej stránke [www.philips.com/kitchen](http://www.philips.com/kitchen).
- Časy dusenia uvedené v nasledujúcej tabuľke sú len orientačné. Časy dusenia sa môžu líšiť v závislosti od veľkosti kúskov potravín, priestoru medzi potravinami v košíku na dusenie, množstva potravín v košíku, čerstvosti potravín a vašich osobných preferencií.

### Tabuľka dusenia potravín

Potraviny na dusenie	Množstvo	Doba dusenia (min.)	Odporúčané bylinky a korenia pre rozptyľovač arómy
Špargľa	500 g	15 – 20	Tymián, bazalka, citrón
Mini-kukurica	200 g	5 – 8	Pažítka, čili, paprika
Zelená fazuľka	500 g	15 – 20	Petržlen, citrón, cesnak

Potraviny na dusenie	Množstvo	Doba dusenia (min.)	Odporúčané bylinky a korenia pre rozptyľovač arómy
Brokolica	400 g	20	Cesnak, mletá červená paprika, estragón
Mrkva	500 g	20	Petržlen, suchá horčica, pažitka
Ružičky karfiolu	400 g	20	Rozmarín, bazalka, estragón
Zeler (v kockách)	300 g	15 – 20	Rasca, biele korenie, čili
Kuracie stehno	1 ks	25	Čierne korenie, citrón, paprika
Kukurica	500 g	30 – 40	Petržlen, cesnak, pažitka
Cuketa (nakrájaná na plátky)	500 g	10	Kôpor, šalvia, rozmarín
Kuskus	150 g + 250 ml vody	10 – 15	Rasca, koriander, klinčeky
Vajíčka	6 ks	12 – 15	-
Ovocie	500 g/4 ks	10 – 15	Škorica, citrón, klinčeky
Hrach (mrazený)	400 g	20 – 25	Rozmarín, rasca, petržlen
Zemiaky	400 g	25 – 30	Petržlen, pažitka, cesnak
Garnáty	200 g	5	Karí prášok, šafrán, citrón
Pudíngy	4 misky	20	Škorica, klinčeky, vanilka
Ryža	150 g + 300 ml vody	35	Pandán, petržlen, rasca
	250 g + 500 ml vody	35	Pandán, petržlen, rasca
Losos	450 g	12 – 15 min.	Kôpor, petržlen, bazalka
Biela ryba	450 g	10 – 15	Sušená horčica, nové korenie, majorán

### Časy dusenia v predvolených režimoch dusenia (Obr. 39)

#### Rady pre dusenie potravín

##### Rozptyľovač arómy

- Do rozptyľovača arómy môžete vložiť bylinky a korenia, ako sú napr. rozmarín, tymian, koriander, bazalka, kôpor, karí a estragón. Môžete ich kombinovať s cesnakom, rascou alebo chrenom a zvýrazniť tak chuť jedla bez pridávania soli. Odporúčame použiť 1/2 až 3 čajové lyžičky sušených bylínok alebo korenia. Ak máte čerstvé bylinky alebo korenie, môžete ich použiť vo väčšom množstve.
- Rozptyľovač arómy je najúčinnnejší pri potravinách varených v najspodnejšom košíku, ktorý je umiestnený priamo na podnose na odkvapkavanie.
- Ďalšie typy o bylínkach, koreniach a tekutinách, ktoré môžete použiť v rozptyľovači arómy, nájdete v tabuľke dusenia potravín uvedenej vyššie.
- Ak jednotlivé potraviny pokvapkáte olejom, zvýši sa tak účinok rozptyľovača arómy a zlepší sa celková chuť pripravovaného jedla.

- Najlepšie výsledky dosiahnete vtedy, keď bylinky pokrájate na drobné kúsky, ktoré potom rovnomerne rozmiestnite po rozptylovači arómy.
- Všetky jedlá odporúčame konzumovať hneď po príprave, pretože vtedy majú najlepšiu chuť.
- Do rozptylovača arómy nelejte žiadne tekutiny.

### **Zelenina a ovocie**

- Nakrájajte hrubé stonky karfiolu, brokolice a hlávkovej kapusty.
- Listnatú zeleninu dusenie čo možno najkratšie, lebo ľahko stratí farbu.
- Mrazenú zeleninu pred dusením nerozmrazujte.

### **Mäso, hydina, morské živočíchy a vajčička**

- Na dusenie sú najvhodnejšie mäkké kúsky mäsa s malým obsahom tuku.
- Mäso poriadne umyte a vytraste, aby z neho kvapkalo čo najmenej šťavy.
- Mäso, hydinu, ryby alebo vajčička vždy vkladajte pod iné druhy potravín. Zabráňte tak stekaniu ich šťavy.
- Vajčička pred vloženíom do zariadenia na prípravu potravín na pare prepichnete.
- Nikdy neduste mrazené mäso, hydinu ani morské živočíchy. Tieto suroviny pred vloženíom do zariadenia na prípravu potravín na pare nechajte vždy úplne rozmraziť.

### **Sladké dezerty**

- Ak chcete zvýšiť sladkú chuť dezertov, namiesto cukru pridajte škoricu.

### **Všeobecné tipy**

- Iba model HD9190: Pri príprave ryže je potrebné do ryže v miske na polievku pridať vodu. Príslušné množstvá nájdete v tabuľke dusenia jedál uvedenej vyššie.
- Po dovarení ryže pomocou tlačidla s predvolenými nastaveniami vypnite zariadenie, ryžu premiešajte a na 5 minút ju nechajte v miske prikrytej vekom. Dosiahnete tak ešte lepší výsledok.
- Iba model HD9190: Okrem polievky je možné misku na polievku použiť aj na prípravu zeleniny k omáčkam, jemné varenie ryby vo vode, varenie marinovaných potravín, prípravu pudingu, polievok a ryže.
- Jednotlivé kúsky potravín rovnomerne rozmiestnite po dne košíka a nechajte medzi nimi voľný priestor.
- Ak je košík na dusenie príliš naplnený, v polovici procesu dusenia potraviny premiešajte.
- Malé množstvá potravín vyžadujú kratšie doby dusenia v porovnaní s väčšími množstvami.
- Ak použijete iba jeden košík na dusenie, potraviny vyžadujú kratšiu dobu dusenia v porovnaní s použitím 2 alebo 3 košíkov na dusenie.
- Ak použijete viac košíkov na dusenie, nechajte potraviny dusiť o 5 – 10 minút dlhšie.
- Jedlo pripravíte rýchlejšie v malom košíku na dusenie (1) než vo vrchných košíkoch.
- Pred konzumáciou potravín sa uistite, či sú dôkladne uvarené. Pozor by ste si mali dať najmä na bravčové, mleté hovädzie a kuracie mäso.
- Potraviny a košíky na dusenie naplnené jedlom môžete pridávať aj počas dusenia. Ak niektoré suroviny vyžadujú kratšiu dobu dusenia, pridajte ich neskôr.
- Keď sa zariadenie na prípravu potravín na pare prepne do režimu udržiavania teploty, dusenie ešte nejakú dobu pokračuje. Ak sú potraviny už dostatočne pripravené, vyberte ich zo zariadenia hneď po skončení dusenia, keď sa zariadenie prepína do režimu udržiavania teploty.
- Ak potraviny nie sú ešte udusené, nastavte dlhšiu dobu dusenia. Možno bude potrebné doplniť vodu do zásobníka na vodu.
- Iba model HD9190: Zariadenie na prípravu jedla na pare možno použiť na zohriatie horúcej polievky. Vlejte polievku do misky na polievku a nechajte ju dusiť pri predvolenej teplote pre ryby. Zohrievanie 250 ml polievky trvá približne 10 minút.



## Uvod

Čestitamo vam za nakup in dobrodošli pri Philipsu! Če želite popolnoma izkoristiti podporo, ki jo nudi Philips, registrirajte izdelek na [www.philips.com/welcome](http://www.philips.com/welcome).

## Splošni opis (Sl. 1)

- 1 Nadzorna plošča z zaslonom in gumbi
  - a Gumb za vklop/izklop in premor
  - b Gumb za nastavitev časovnika
  - c Indikator praznega zbiralnika za vodo
  - d Gumbi košar za kuhanje v pari (1, 2, 3)
  - e Gumb programa za pripravo obroka
  - f Gumb kuharskega programa
  - g Prednastavljeni gumbi kuharskega programa (ribe, krompir, riž, zelena zelenjava)
  - h Indikator časovnika
  - i Indikator ohranjanja toplote
  - j Indikator Turbo
- 2 Podstavek z zbiralnikom za vodo
- 3 Temperaturni senzor
- 4 Pladenj za kapljanje
- 5 Vložek za aromo
- 6 Majhna košara za kuhanje v pari (1)
- 7 Srednja košara za kuhanje v pari (2)
- 8 Velika košara za kuhanje v pari (3)
- 9 Posoda za juho (samo HD9190)
- 10 Pokrov
- 11 Odprtine za paro
- 12 Ročaj pokrova
- 13 Snemljivo dno
- 14 Dulec za dolivanje vode
- 15 Pripomoček za shranjevanje kabla

*Opomba: Košare za kuhanje v pari so označene s številkami od 1 do 3. Številke košar so navedene na ročajih. Večjo košaro lahko postavite na manjšo košaro, vendar je najbolje, če jih naložite v logičnem zaporedju: najprej majhno košaro (1), nato srednjo košaro (2) in na koncu veliko košaro (3).*

*Opomba za HD9190: Posodo za juho lahko najbolje uporabljate v kombinaciji z veliko košaro (3).*

*Opomba: Pod košare za kuhanje v pari vedno postavite pladenj za kapljanje in uporabljajte samo košare za kuhanje v pari, v katerih je hrana.*

## Pomembno

Pred uporabo aparata natančno preberite ta uporabniški priročnik in ga shranite za poznejšo uporabo.

### **Nevarnost**

- Podstavka ne potaplajte v vodo in ga ne spirajte pod tekočo vodo.

### **Opozorilo**

- Preden priključite aparat na električno omrežje, preverite, ali napetost, navedena na aparatu, ustreza napetosti lokalnega električnega omrežja.

- Aparat priključite samo v ozemljeno vtičnico. Vtikač mora biti pravilno vstavljen v omrežno vtičnico.
- Tega aparata ni mogoče upravljati z zunanjim časovnikom ali ločenim sistemom za daljinsko upravljanje.
- Aparata ne uporabljajte, če je poškodovan vtikač, omrežni kabel ali sam aparat.
- Poškodovani omrežni kabel sme zamenjati le podjetje Philips, Philipsov pooblaščen servis ali ustrezno usposobljeno osebje.
- Aparat ni namenjen uporabi s strani otrok in oseb z zmanjšanimi telesnimi, čutnimi ali duševnimi sposobnostmi ali oseb s pomanjkljivimi izkušnjami in znanjem, razen če jih pri uporabi nadzoruje ali jim svetuje oseba, ki je odgovorna za njihovo varnost.
- Pazite, da se otroci ne igrajo z aparatom.
- Omrežni kabel naj bo izven dosega otrok. Ne sme viseti preko roba mize ali pulta, na katerega je postavljen aparat.
- Omrežnega kabla ne hranite v bližini vročih površin.
- Preden omrežni kabel aparata vključite v omrežno vtičnico, ga popolnoma odvijte z navitka na podstavku.
- V pari ne kuhajte zamrznjenega mesa, perutnine ali morskih sadežev. Ta živila pred začetkom kuhanja v pari vedno popolnoma odtalite.
- Soparnika ne uporabljajte brez pladnja za kapljanje, saj lahko začne v nasprotnem primeru iz aparata kapljati vroča voda.
- Košare za kuhanje v pari in posodo za juho (samo HD9190) uporabljajte samo v kombinaciji z originalnim podstavkom.

### **Previdno**

- Aparat je namenjen izključno običajni uporabi v gospodinjstvu. Ni namenjen uporabi v okoljih, kot so čajne kuhinje v trgovinah, pisarnah, farmah in drugih delovnih okoljih. Namenjen ni niti za uporabo s strani gostov v hotelih, motelih, gostiščih in drugih namestitvenih objektih.
- Če se aparat uporablja nepravilno ali v profesionalne oziroma polprofesionalne namene oziroma na način, ki ni v skladu z navodili za uporabo, postane garancija neveljavna, Philips pa ne prevzema nikakršne odgovornosti za morebitno povzročeno škodo.
- Ne uporabljajte nastavkov ali delov drugih proizvajalcev, ki jih Philips posebej ne priporoča. V primeru uporabe tovrstnih nastavkov se garancija razveljavi.
- Podstavka aparata ne izpostavljajte visokim temperaturam, vročim plinom, pari ali vlažni vročini iz drugih virov razen soparnika. Soparnika ne nameščajte na ali ob delujočo pečico ali kuhalnik.

- Delujočega aparata ne postavljajte ob ali pod predmete, ki jih para lahko poškoduje, na primer ob ali pod stene in omare.
- Aparata ne uporabljajte v bližini eksplozivnih in/ali vnetljivih hlapov.
- Soparnik postavite na trdno in ravno podlago, pri čemer naj bo okrog aparata najmanj 10 cm prostora, da preprečite pregrevanje.
- Snemljiva dna v košare za kuhanje v pari vedno postavite od zgoraj. Dna pravilno namestite tako, da v košaro najprej spustite prvo stran in nato še drugo, da se dno zaskoči ("klik"). Izboklina dna mora biti obrnjena navzgor. (Sl. 2)
- Pazite na vročo paro, ki iz soparnika uhaja med kuhanjem, v načinu ohranjanja toplote ali ob odstranitvi pokrova. Za preverjanje hrane vedno uporabljajte kuhinjski pribor z dolgimi ročaji.
- Med kuhanjem ne segajte nad soparnik.
- Ne dotikajte se vročih površin aparata. Pri prijemanju vročih delov aparata uporabljajte rokavice za pečico.
- Soparnika med delovanjem ne premikajte.
- Pokrov odstranite previdno in proč od sebe. Kondenzat s pokrova se naj odcedi v soparnik, da se ne opečete.
- Če je hrana vroča, košaro za kuhanje v pari vedno prijemajte za ročaje.
- Zbiralnika za vodo ne praznite skozi dulec za dolivanje vode. Izpraznite ga tako, da podstavek nagnete nazaj in vodo izlijete skozi zadnji del podstavka (Sl. 3).
- Aparat pred čiščenjem vedno izključite iz električnega omrežja in počakajte, da se ohladi.

### **Samodejni izklop**

Aparat ima samodejni izklop. Samodejno se izklopi, če v 2 minutah po priključitvi aparata na napajanje ne pritisnete nobenega gumba. Aparat se samodejno izklopi tudi po preteku nastavljenega časa (vključno s časom ohranjanja toplote) za kuhanje v pari.

### **Zaščita pred delovanjem brez vode**

Soparnik je opremljen s samodejnim varnostnim izklopom. Ta funkcija samodejno izklopi grelni element, ko v zbiralniku za vodo ni vode ali če je zmanjka med kuhanjem. Če aparat želite ponovno uporabljati, zbiralnik za vodo do oznake MAX napolnite s hladno vodo.

### **Elektromagnetna polja (EMF)**

Ta Philipsov aparat ustreza vsem standardom glede elektromagnetnih polj (EMF). Če z aparatom ravnate pravilno in v skladu z navodili v tem priročniku, je njegova uporaba glede na danes veljavne znanstvene dokaze varna.

## **Pred prvo uporabo**

- 1** Pred prvo uporabo temeljito očistite vse dele aparata, ki pridejo v stik s hrano (oglejte si poglavje "Čiščenje in vzdrževanje").
- 2** Notranjost zbiralnika za vodo obrišite z vlažno krpo.

## Priprava za uporabo

- 1** Postavite aparat na stabilno, ravno in vodoravno površino.
- 2** Preden omrežni kabel aparata vključite v omrežno vtičnico, ga vedno popolnoma odvijte z navitka na podstavku.
- 3** Zbiralnik za vodo napolnite z vodo do oznake MAX (Sl. 4).
  - ▶ Ko je zbiralnik za vodo napolnjen do oznake MAX, lahko s soparnikom kuhate hrano v pari približno 60 minut.

Zbiralnika za vodo ne polnite preko oznake MAX.

Zbiralnik za vodo polnite samo z vodo. Ne dajajte vanj mešanice začimb, olja ali drugih snovi.

- 4** Na zbiralnik za vodo v podstavku namestite pladenj za kapljanje (Sl. 5).

*Opomba: Aparata ne uporabljajte brez pladnja za kapljanje in na pladenj ne dodajajte vode, začimb, olja ali drugih snovi.*

- 5** Če želite obogatiti okus hrane, skuhanе v pari, na pladenj za kapljanje postavite vložek za aromo. (Sl. 6)
  - Vložek za aromo napolnite s svežimi ali suhimi zelišči.
  - Zelišča in začimbe, ki so priporočljiva za pripravo različnih jedi, si lahko ogledate v tabeli s hrano za kuhanje v pari v poglavju "Preglednica s hrano in namigi za kuhanje hrane v pari".
- 6** Hrano, ki jo želite kuhati v pari, razporedite v eno ali več košar za kuhanje v pari in/ali posodo za juho (samo HD9190). (Sl. 7)
  - Snemljiva dna v košare za kuhanje v pari vedno postavite od zgoraj. Dna pravilno namestite tako, da v košaro najprej spustite prvo stran in nato še drugo, da se dno zaskoči ("klik"). Izboklina dna mora biti obrnjena navzgor (Sl. 2).
  - V košare za kuhanje v pari ne naložite preveč hrane. Hrano enakomerno razporedite po dnu košare, tako da ostane med kosi še nekaj prostora.
  - Samo HD9189: za kuhanje riža uporabite lahko skledo, ki se prilega v košare za kuhanje v pari. Pazite, da bo okoli skledе dovolj prostora, da bo lahko para v soparniku neovirano krožila.
  - Večje kose hrane in hrano, ki se mora v pari kuhati dlje časa, postavite v spodnjo košaro za kuhanje v pari (1).
  - Jajca položite v posebej zanje namenjena mesta, da se primerno skuhamo (Sl. 8).
  - Če želite v pari kuhati velike kose hrane (na primer cele piščance ali koruzne storže), lahko odstranite snemljiva dna s srednje košare za kuhanje v pari (2) in velike košare za kuhanje v pari (3) in tako ustvarite eno veliko košaro.

*Opomba: Največja zmogljivost košar za kuhanje v pari je 1 kg.*

- 7** Eno ali več košar za kuhanje v pari postavite na pladenj za kapljanje. Košare postavite pravilno in stabilno (Sl. 9).
  - Ni vam treba uporabiti vseh 3 košar za kuhanje v pari.
  - Košare za kuhanje v pari so označene s številkami od 1 do 3. Številke košar so navedene na ročajih. Večjo košaro lahko postavite na manjšo košaro, vendar je najbolje, če jih naložite v logičnem zaporedju: najprej majhno košaro (1), nato srednjo košaro (2) in na koncu veliko košaro (3). Pod košare za kuhanje v pari vedno postavite pladenj za kapljanje in uporabljajte samo košare za kuhanje v pari, v katerih je hrana (Sl. 10).
  - Samo HD9190: posoda za juho je namenjena pripravi juh, drugih tekočih jedi in rib. Če želite uporabiti posodo za juho, jo postavite v veliko košaro za kuhanje v pari (3) (Sl. 11).
  - Samo HD9190: če iz velike košare (3) odstranite snemljivo dno, da ustvarite večjo košaro nad srednjo košaro za kuhanje v soperi (2), lahko na vrh še vedno postavite posodo za juho za pripravo rib, riža ali juhe (Sl. 12).

- Če iz srednje košare (2) odstranite snemljivo dno, da ustvarite večjo košaro nad malo košaro za kuhanje v pari (1), lahko na vrh še vedno postavite veliko košaro za kuhanje v pari (3).

## **8 Zgornjo košaro za kuhanje v pari pokrijte s pokrovom (Sl. 13).**

*Opomba: Če pokrova ne namestite ali ga na košaro za kuhanje v pari namestite nepravilno, hrana ne bo dovolj kuhana.*

## **Uporaba aparata**

Soparnik ima dva načina kuhanja v pari:

- 1 Ročni način za hiter vklop soparnika.
- 2 Programski način:
  - Program za pripravo obroka: priprava celotnega obroka z različnimi časi kuhanja v vsaki košari.
  - Kuharski program s prednastavljenimi gumbi: priprava hrane z vnaprej nastavljenimi časi in temperaturami kuhanja.

Dodatne informacije o uporabi teh načinov najdete v posameznih razdelkih spodaj.

### **Splošen postopek**

V nadaljevanju so naštetí splošni koraki, ki veljajo za vse tri načine kuhanja v pari.

#### **1 Vtikač vtaknite v omrežno vtičnico.**

- ▶ Indikator v gumbu za vklop/izklop zasveti in na zaslonu se prikaže privzeti čas kuhanja v pari (20 minut) (Sl. 14).

#### **2 Izberite enega izmed dveh načinov kuhanja v pari in sledite ustreznim korakom (oglejte si spodnje razdelke za različne načine kuhanja v pari).**

*Opomba: Teh dveh načinov za kuhanje v pari ne morete uporabljati sočasno. Prav tako ne morete sočasno uporabljati programa za pripravo obroka in kuharskega programa.*

*Opomba: Če v pari kuhate večjo količino hrane, jo na polovici kuhanja premešajte s kuhinjskim priborom z dolgimi ročaji in uporabite rokavice za pečico.*

*Opomba: V prvih 5 minutah kuhanja v pari sveti indikator Turbo, ki označuje, da soparnik porablja dodatno energijo za hitro segrevanje.*

#### **3 Ko je kuhanje v pari končano, aparat 5-krat zapiska in nato samodejno preklopi v način za ohranjanje toplote (oglejte si razdelek "Način ohranjanja toplote").**

#### **4 Po uporabi previdno snemite pokrov.**

Pazite na vročo paro, ki ob odstranitvi pokrova z aparata začne uhajati.

*Opomba: Da se ne bi opekli, si za odstranjevanje pokrova nadenite rokavice za pečico. Pokrov dvignite počasi in stran od sebe. Pustite, da kondenzat s pokrova odteče v košaro za kuhanje v pari.*

*Opomba: Hrano iz košare za kuhanje v pari vzemite s kuhinjskim priborom z dolgimi ročaji.*

#### **5 Ko odstranite košaro za kuhanje v pari, počakajte, da kondenzat s posode odteče v spodnjo košaro za kuhanje v pari ali pladenj za kapljanje pod posodo.**

#### **6 Iztaknite vtič iz omrežne vtičnice in pustite, da se soparnik popolnoma ohladi, preden odstranite pladenj za kapljanje.**

#### **7 Po vsaki uporabi izpraznite zbiralnik za vodo, tako da nagnete podstavek nazaj in izlijete vodo skozi zadnji del podstavka (Sl. 3).**

Pri odstranjevanju pladnja za kapljanje in praznjenju zbiralnika za vodo bodite previdni, saj je voda v njiju lahko še vroča, tudi če so se ostali deli aparata že ohladili.

*Opomba: Če med kuhanjem v pari zmanjka vode, zasveti indikator praznega zbiralnika za vodo, ki opozarja, da morate doliti vodo (Sl. 15).*

*Opomba: Če želite v pari skuhati več hrane in potrebujete več vode, lahko zbiralnik za vodo napolnite tako, da skozi dulec za dolivanje vlivate manjše količine vode.*

*Opomba: Če aparata 2 minuti ne uporabljate, samodejno preklopi v način pripravljenosti. Pritisnite gumb za vklop/izklop, da znova vklopite nadzorno ploščo.*

### **Ročni način**

---

S tem načinom hitro vklopite soparnik.

- 1** Z gumbom za nastavev časa izberite ustrezen čas kuhanja v pari (Sl. 16).
- 2** Za začetek kuhanja v pari pritisnite gumb za vklop/izklop (Sl. 17).
  - ▶ Kuhanje v pari se začne. Indikatorja za vklop/izklop in Turbo počasi utripata, časovnik pa začne odšteti nastavljeni čas kuhanja (Sl. 18).
  - ▶ Ko nastavljeni čas kuhanja v pari izteče, aparat zapiska in preklopi v način ohranjanja toplote. Svetili začne indikator načina za ohranjanje toplote (Sl. 19).

### **Programski način: program za pripravo obroka**

---

S tem programom pripravite celoten obrok z različnimi časi priprave v košarah za kuhanje s paro. Aparat začne hrano najprej pripravljati v košari za kuhanje v pari z najdaljšim časom priprave in zapiska, ko je čas, da vstavite košaro s krajšim časom priprave. Zadnja košara za kuhanje v pari ima najkrajši čas priprave.

*Opomba: Če za pripravo obroka ne potrebujete vseh treh košar za kuhanje v pari, nastavite časovnik samo za tiste košare, ki jih boste uporabili.*

- 1** Pritisnite gumb programa za pripravo obroka. (Sl. 20)
  - ▶ Zasvetijo gumb programa za pripravo obroka in indikatorji treh košar za kuhanje v pari (Sl. 21).
- 2** Pritisnite gumb košare za kuhanje v pari 1, 2 ali 3, da izberete eno od košar. (Sl. 22)
  - ▶ Utripati začne ustrezna lučka.
- 3** Z gumbom za nastavev časa nastavite zeleni čas priprave za izbrano košaro za kuhanje v pari. (Sl. 23)
- 4** Znova pritisnite gumb izbrane košare za kuhanje v pari, da potrdite nastavljeni čas. (Sl. 24)
  - ▶ Pika pod gumbom košare za kuhanje v pari začne svetiti, kar pomeni, da je čas nastavljen.
- 5** Ponavljajte postopek od 2. do 4. koraka, dokler ne nastavite časa priprave v vseh košarah za kuhanje v pari, ki jih boste uporabili.
- 6** V košare za kuhanje v pari položite sestavine. Če boste uporabili vse tri košare za kuhanje v pari, položite hrano z najdaljšim časom priprave v najmanjšo košaro (1), hrano z drugim najdaljšim časom priprave v srednjo košaro (2), hrano z najkrajšim časom priprave pa v največjo košaro za kuhanje v pari (3).
- 7** Košaro z najdaljšim časom priprave postavite na podstavek soparnika.
- 8** Pritisnite gumb za vklop/izklop (Sl. 17).
  - ▶ Začne se kuhanje v pari v košari z najdaljšim časom priprave. Lučka za vklop/izklop počasi utripa in časovnik začne odšteti čas kuhanja v pari.
  - ▶ Čez nekaj časa vas aparat s piskom in hitrim utripanjem indikatorja za košaro z drugim najdaljšim časom priprave opozori, da morate namestiti naslednjo košaro za kuhanje v pari (Sl. 25).

- 9** Na vrh košare, ki je že v soparniku, postavite košaro za kuhanje v pari z drugim najdaljšim časom priprave in pritisnite utripajoči gumb košare za kuhanje v pari ali gumb za vklop/izklop.
- 10** Soparnik nadaljuje s kuhanjem v pari.
- Indikator za vklop/izklop počasi utripa in časovnik začne odšteti čas kuhanja v pari.
  - Čez nekaj časa vas aparat s piskom in utripanjem indikatorja za košaro z najkrajšim časom priprave opozori, da morate namestiti naslednjo košaro za kuhanje v pari.
- 11** Košaro z najkrajšim časom priprave postavite na vrh drugih dveh košar in pritisnite utripajoči gumb košare za kuhanje v pari ali gumb za vklop/izklop.
- 12** Soparnik nadaljuje s kuhanjem v pari.
- Indikator za vklop/izklop počasi utripa in časovnik začne odšteti čas kuhanja v pari.
  - Ko se čas kuhanja v pari izteče, aparat zapiska in preklopi v način za ohranjanje toplote. Indikatorja za ohranjanje toplote in vklop/izklop počasi utripata.

### Programski način: kuharski program

Ta način uporabite za optimalno pripravo določenih sestavin z že nastavljenimi časi priprave in temperaturami.

*Opomba: Kuharski program lahko uporabljate samo s spodnjo košaro za kuhanje v pari, ki jo postavite neposredno na pladenj za kapljanje.*

*Opomba: Časi priprave pri prednastavljenih gumbih kuharskega programa so daljši kot pri ročnem načinu, ker so za odlične kuharske rezultate deloma uporabljene tudi temperature pod 100 °C.*

- 1** Pritisnite gumb kuharskega programa (Sl. 26).
- Zasvetijo gumb kuharskega programa ter štirje gumbi prednastavitev (Sl. 27).
- 2** Pritisnite enega štirih gumbov prednastavitev.
- Za pripravo rib pritisnite gumb za ribe (Sl. 28).
  - Za pripravo krompirja pritisnite gumb za krompir (Sl. 29).
  - Za pripravo riža pritisnite gumb za riž (Sl. 30).
  - Za pripravo zelene zelenjave pritisnite gumb za zelenjavo (Sl. 31).
- 3** Po potrebi lahko čas priprave prilagodite z gumbom za nastavitev časovnika – odvisno od količine in velikosti sestavin v košari za kuhanje v pari.
- 4** Pritisnite gumb za vklop/izklop.
- Začne se kuhanje v pari in indikator za vklop/izklop počasi utripa. Na zaslonu se izmenično prikazujeta odštevanje časovnika in trenutna temperatura priprave izbrane prednastavitve.
  - Ko se čas kuhanja v pari izteče, aparat zapiska in preklopi v način ohranjanja toplote. Svetiti začne indikator načina za ohranjanje toplote.

### Način ohranjanja toplote

Soparnik po koncu kuhanja samodejno preklopi v način ohranjanja toplote in svetiti začne indikator ohranjanja toplote.

Ta način hrano ohranja toplo 20 minut.

- Če želite hrano ohraniti toplo dlje kot 20 minut, lahko čas ohranjanja toplote nastavite z gumboma za nastavitev časovnika.
- Če želite prekiniti trenutni način ohranjanja toplote, pritisnite gumb za vklop/izklop.

### Čiščenje in vzdrževanje

Aparata ne čistite s čistilnimi gobicami, jedkimi čistili ali agresivnimi tekočinami, kot sta bencin ali aceton.

- 1** Izvlecite vtikač iz omrežne vtičnice in počakajte, da se aparat ohladi.

**2** Zunanost podstavka očistite z vlažno krpo.

Podstavka ne potapljate v vodo in ga ne spirajte pod tekočo vodo.

**3** Zbiralnik za vodo očistite z vlažno krpo, ki jo namočite v toplo vodo z malo tekočega čistila. Zbiralnik nato obrišite s čisto vlažno krpo.

**4** Pokrov ročno pomijte v topli vodi z nekaj tekočega čistila.

Pokrova ne pomivajte v pomivalnem stroju.

**5** Odstranite snemljiva dna iz košar za kuhanje v pari. Košare za kuhanje v pari, snemljiva dna, vložek za aromo, pladenj za kapljanje in posodo za juho (samo HD9190) pomijte ročno v topli vodi z malo tekočega čistila. Te dele lahko pomivate tudi v pomivalnem stroju pri kratkem ciklu pomivanja z nizko temperaturo.

Če košare za kuhanje v pari redno pomivate v pomivalnem stroju, lahko ti deli rahlo izgubijo sijaj.

### **Odstranjanje vodnega kamna**

---

Če je v zbiralniku za vodo viden vodni kamen, iz aparata odstranite vodni kamen. Redno odstranjanje vodnega kamna iz soparnika je nadvse pomembno, saj zagotavlja optimalno učinkovitost.

**1** Zbiralnik za vodo napolnite z belim vinskim kisom (8 % očetna kislina) do oznake MAX.

Za odstranjanje vodnega kamna ne uporabljajte nobenega drugega sredstva.

**2** Pladenj za kapljanje in majhno košaro za kuhanje v pari (1) pravilno namestite na podstavek (Sl. 32).

**3** Majhno košaro za kuhanje v pari pokrijte s pokrovom (Sl. 33).

**4** Vtikač vtaknite v omrežno vtičnico.

**5** Pritisnite gumb za vklop/izklop, da vklopite nadzorno ploščo.

**6** Pritisnite gumb za vklop/izklop in pustite, da aparat približno 20 minut deluje (Sl. 17).

Če vinski kis začne uhajati čez rob podstavka, izklopite aparat iz električnega omrežja in zmanjšajte količino kisa.

**7** Ko aparat zapiska, ga izključite iz električnega omrežja in pustite, da se kis do konca ohladi. Nato izpraznite zbiralnik za vodo.

**8** Zbiralnik za vodo večkrat sperite s hladno vodo.

*Opomba: Če so v zbiralniku za vodo še ostanki vodnega kamna, postopek ponovite.*

### **Shranjevanje**

**1** Preden aparat pospravite, poskrbite, da so vsi deli očiščeni in suhi (oglejte si poglavje "Čiščenje in vzdrževanje").

**2** Napajalni kabel shranite tako, da ga ovijete okoli navitka v podstavku (Sl. 34).

**3** Pladenj za kapljanje postavite na podstavek (Sl. 35).

**4** Preverite, da so snemljiva dna pravilno nameščena v košarah za kuhanje v pari.

**5** Na pladenj za kapljanje postavite veliko košaro za kuhanje v pari (3). V veliko košaro za kuhanje v pari (3) postavite srednjo košaro za kuhanje v pari (2). V srednjo košaro (2) pa postavite majhno košaro za kuhanje v pari (1) (Sl. 36).

**6** Samo HD9190: v majhno košaro za kuhanje v pari postavite posodo za juho (1).

**7** Posodo za juho (samo HD9190) ali majhno košaro za kuhanje v pari prekrijte s pokrovom (Sl. 37).



## Garancija in servis

Za servis, informacije ali v primeru težav obiščite Philipsovo spletno stran na naslovu **www.philips.com/support** ali pa se obrnite na Philipsov center za pomoč uporabnikom v svoji državi (telefonsko številko najdete na mednarodnem garancijskem listu). Če v vaši državi ni takšnega centra, se obrnite na lokalnega Philipsovega prodajalca.

## Okolje

- Aparata po poteku življenjske dobe ne odvrzite skupaj z običajnimi gospodinjskimi odpadki, temveč ga odložite na uradnem zbirnem mestu za recikliranje. Tako boste pripomogli k ohranitvi okolja (Sl. 38).

## Odpravljanje težav

To poglavje vsebuje povzetek najpogostejših težav, ki se lahko pojavijo pri uporabi aparatov. Če s temi nasveti ne morete odpraviti težav, se obrnite na center za pomoč uporabnikom v svoji državi.

Težava	Možni vzrok	Rešitev
Soparnik ne deluje.	Soparnik ni priključen na električno omrežje.	Vtikač vtaknite v omrežno vtičnico.
	V zbiralniku za vodo ni vode.	Napolnite zbiralnik za vodo.
	Niste še pritisnili gumba za vklop/izklop.	Pritisnite gumb za vklop/izklop.
Vsa hrana ni kuhana.	V soparniku je nekaj kosov hrane, ki so večji in/ali potrebujejo dlje časa za pripravo kot ostala hrana.	Z gumbom + nastavite daljši čas kuhanja v pari.
		Večje kose hrane in hrano, ki se v pari kuha dlje časa, postavite v majhno košaro za kuhanje v pari (1) in s kuhanjem v pari začnite, preden dodate ostale košare.
	V košare za kuhanje v pari ste naložili preveč hrane.	Košar za kuhanje v pari ne napolnite prekomerno. Hrano narežite na majhne kose in najmanjše kose položite na vrh.
		Hrano enakomerno razporedite po dnu košare, tako da ostane med posameznimi kosi še nekaj prostora.
Aparat se ne segreje dovolj.	Iz aparata niste redno odstranjevali vodnega kamna.	Iz aparata odstranite vodni kamen. Glejte poglavje "Čiščenje in vzdrževanje".
Iz zbiralnika za vodo med kuhanjem v pari kaplja voda.	V zbiralnik za vodo ste nalili preveč vode.	Iz zbiralnika za vodo odlijte nekaj vode. Pazite, da nivo vode ned sega čez oznako MAX.

Težava	Možni vzrok	Rešitev
Čeprav je v zbiralniku za vodo dovolj vode, zasveti indikator, da je zbiralnik za vodo prazen.	Na grelnem elementu se je nabralo preveč vodnega kamna.	Iz zbiralnika za vodo odstranite vodni kamen. Oglejte si razdelek "Odstranjevanje vodnega kamna" v poglavju "Čiščenje in vzdrževanje".
Vložek za aromo ne pusti okusa ali ga pusti premalo.	V vložek za aromo ste dali premalo zelišč.	V vložek za aromo dajte več zelišč.
	V vložek za aromo niste dali pravih zelišč.	V vložek za aromo dajte zelišča z močnim okusom. Oglejte si preglednico za kuhanje v pari v poglavju "Preglednica s hrano in namigi za kuhanje hrane v pari".
	Hrano ste pojedli precej časa po tem, ko ste jo pripravili.	Hrano pojejte takoj, ko jo pripravite.
Na vodi v zbiralniku za vodo ali na pladnju za kapljanje je pena.	Pena lahko nastane, če so v vodi v zbiralniku prisotne beljakovine ali če v zbiralniku za vodo ostanejo sledi čistil.	Očistite zbiralnik za vodo. Oglejte si poglavje "Čiščenje in vzdrževanje".

### Preglednica s hrano in namigi za kuhanje hrane v pari

- Recepte si oglejte v knjižici z recepti ali na našem spletnem mestu [www.philips.com/kitchen](http://www.philips.com/kitchen).
- Časi kuhanja v pari, ki so navedeni v spodnji preglednici, so zgolj smernica. Čas priprave v pari je odvisen od velikosti kosov hrane, razmika med kosi hrane v posodi za kuhanje v pari, količine hrane v posodi, svežine hrane in osebnega okusa.

### Preglednica s hrano za kuhanje v pari

Hrana za kuhanje v pari	Količina	Čas kuhanja v pari (min)	Priporočena zelišča/začimbe za vložek za aromo
Špargelj	500 g	15-20	Timijan, bazilika, limona
Mlada koruza	200 g	5-8	Drobnjak, čili, paprika
Stročji fižol	500 g	15-20	Peteršilj, limona, česen
Brstični ohrovt	400 g	20	Česen, stisnjen rdeč čili, pehtran
Korenje	500 g	20	Peteršilj, suha gorčica, drobnjak
Cvetovi cvetače	400 g	20	Rožmarin, bazilika, pehtran
Zelena (v kockah)	300 g	15-20	Kumina, beli poper, čili
Piščančje bedro	1 kos	25	Črni poper, limona, paprika

Hrana za kuhanje v pari	Količina	Čas kuhanja v pari (min)	Priporočena zelišča/začimbe za vložek za aromo
Koruzni storž	500 g	30-40	Peteršilj, česen, drobnjak
Bučka (narezana)	500 g	10	Koper, žajbelj, rožmarin
Kuskus	150 g + 250 ml vode	10-15	Kumina, koriander, klinčki
Jajca	6 kosov	12-15	-
Sadje	500 g / 4 kosi	10-15	Cimet, limona, klinčki
Grah (zamrznjen)	400 g	20-25	Rožmarin, kumina, peteršilj
Krompir	400 g	25-30	Peteršilj, drobnjak, česen
Kozice	200 g	5	Curry v prahu, žafran, limona
Puding	4 sklede	20	Cimet, klinčki, vanilija
Riž	150 g + 300 ml vode	35	Riž pandan, peteršilj, kumina
	250 g + 500 ml vode	35	Riž pandan, peteršilj, kumina
Losos	450 g	12-15 min.	Koper, peteršilj, bazilika
Bela riba	450 g	10-15	Suha gorčica, pimet, majaron

### Čas kuhanja v pari prednastavljenih načinov kuhanja v pari (Sl. 39)

#### Namigi za kuhanje hrane v pari

##### Vložek za aromo

- Rožmarin, timijan, koriander, bazilika, koper, curry in pehtran so zanimive začimbe in zelišča, ki jih lahko dodate v vložek za aromo. Kombinirate jih lahko s česnom, kumino ali hrenom in tako jedem izboljšate okus brez dodajanja soli. Priporočamo vam, da dodate od 1/2 do 3 žličke suhih zelišč ali začimb. Če uporabite sveža zelišča ali začimbe, jih dodajte več.
- Vložek za aromo največ okusa doda hrani, pripravljene v spodnji košari, ki je nameščena neposredno na pladenj za kapljanje.
- Več informacij o zeliščih, začimbah in tekočinah, ki jih lahko dodate v vložek za aromo, najdete v zgornji preglednici s hrano za kuhanje v pari.
- Dodatek olja hrani izboljša učinek vložka za aromo in daje hrani polnejši okus.
- Zelišča na drobno nasekljajte in jih enakomerno porazdelite po vložku za aromo.
- Da bo imela hrana čim boljši okus, jo pojedite takoj, ko je pripravljena.
- V vložek za aromo ne vlivajte tekočin.

##### Zelenjava in sadje

- Odrežite debela stebela cvetače, brokolija in zelja.
- Listnato zeleno zelenjavo dušite čim krajši čas, ker hitro izgubi barvo.
- Zamrznjene zelenjave pred kuhanjem v pari ne odtajate.

### **Meso, perutnina, morski sadeži in jajca**

- Za kuhanje v pari so najprimernejši mehki kosi z malo maščobe.
- Meso dobro operite in ga otrite tako, da z njega kaplja čim manj soka.
- Meso, perutnino, ribe ali jajca vedno postavite pod ostale vrste hrane, da preprečite kapljanje soka.
- Preden jajca postavite v soparnik, jih preluknjajte.
- V pari nikoli ne kuhajte zamrznjenega mesa, perutnine ali morskih sadežev. Ta živila pred začetkom kuhanja v pari popolnoma odtalite.

### **Sladice**

- Če sladice želite osladkati, jim namesto sladkorja dodajte cimet.

### **Splošni nasveti**

- Samo HD9190: če želite pripraviti riž, v posodo za juho vlijte še vodo. Količine si oglejte v zgornji preglednici s hrano za kuhanje v pari.
- Ko skuhate riž s prednastavljenim gumbom za riž, izklopite aparat, riž premešajte in ga 5 minut pustite v pokriti posodi. Rezultat kuhanja je tako še boljši.
- Samo HD9190: v posodi za juho lahko poleg juh pripravljate tudi zelenjavne omake, dušene ribe in marinirane jedi ter kuhate pudinge, juhe in riž.
- Hrana enakomerno razporedite po dnu košare, tako da ostane med posameznimi kosi še nekaj prostora.
- Če je košara za kuhanje v pari zelo polna, hrano na polovici kuhe premešajte.
- Manjše količine hrane so pripravljene v krajšem času od večjih.
- Če uporabite samo eno košaro za kuhanje v pari, je čas kuhanja krajši, kot če uporabite 2 ali 3 košare.
- Če uporabite več košar, naj se hrana kuha 5–10 minut dlje.
- Hrana je v majhni košari za kuhanje v pari (1) pripravljena hitreje kot v zgornjih košarah za kuhanje v pari.
- Pred jedjo se prepričajte, da je hrana dovolj kuhana. To je še zlasti pomembno za meso, kot je svinjina, mleta govedina ali perutnina.
- Hrano ali košare s hrano lahko dodajate med kuhanjem v pari. Če je določena sestavina kuhana v krajšem času, jo dodajte pozneje.
- Hrana se duši še nekaj časa, ko soparnik preklopi na način ohranjanja toplote. Če je hrana že dovolj kuhana, jo vzemite iz soparnika, ko je kuhanje v pari končano in aparat preklopi na način ohranjanja toplote.
- Če hrana še ni povsem kuhana, nastavite daljši čas kuhanja v pari. Mogoče boste morali v zbiralnik za vodo doliti vodo.
- Samo HD9190: s soparnikom lahko pogrejete vnaprej pripravljeno juho. Juho dodajte v posodo za juho in jo kuhajte v pari s prednastavljenim načinom za ribe. 250 ml juhe segrejete v približno 10 minutah.

## Uvod

Čestitamo vam na kupovini i dobro došli u Philips! Da biste imali sve pogodnosti podrške koju pruža Philips, registrujte svoj proizvod na [www.philips.com/welcome](http://www.philips.com/welcome).

## Opšti opis (Sl. 1)

- 1 Kontrolna tabla sa ekranom i dugmadi
  - a Dugme za pokretanje/zaustavljanje i pauziranje
  - b Dugmad za podešavanje tajmera
  - c Indikator „Rezervoar za vodu je prazan“
  - d Dugmad za posudu za kuvanje na pari (1, 2, 3)
  - e Dugme za program obroka
  - f Dugme za program kuvara
  - g Unapred podešena dugmad programa kuvara (riba, krompiri, pirinač, zeleno povrće)
  - h Indikator tajmera
  - i Indikator za održavanje temperature
  - j Indikator za režim „Turbo“
- 2 Postolje sa rezervoarom za vodu
- 3 Senzor za temperaturu
- 4 Posuda za kapljanje
- 5 Dodatak za aromu
- 6 Mala posuda za kuvanje na pari (1)
- 7 Srednja posuda za kuvanje na pari (2)
- 8 Velika posuda za kuvanje na pari (3)
- 9 Posuda za supu (samo za HD9190)
- 10 Poklopac
- 11 Ventilacioni otvori za paru
- 12 Drška poklopca
- 13 Odvojivi donji deo
- 14 Grlić za dopunjavanje vode
- 15 Držač za kabl

*Napomena: Posude za kuvanje na pari označene su brojevima od 1 do 3. Brojevi posuda za kuvanje na pari nalaze se na drškama. Možete da stavite svaku veću posudu preko manje posude, ali posude se najbolje uklapaju ako ih složite po logičkom rastućem redosledu: prvo najmanju posudu (1), zatim srednju posudu (2), pa najveću posudu (3).*

*Napomena za HD9190: Najbolje je da posudu za supu koristite sa velikom posudom (3).*

*Napomena: Posudu za kapljanje uvek koristite ispod posuda za kuvanje na pari i koristite samo one posude koje sadrže hranu.*

## Važno

Pre upotrebe aparata pažljivo pročitajte ovaj korisnički priručnik i sačuvajte ga za buduće potrebe.

### Opasnost

- Postolje nikada ne uranjajte u vodu i ne perite ga ispod slavine.

### Upozorenje

- Pre uključivanja aparata, proverite da li napon naveden na aparatu odgovara naponu lokalne električne mreže.

- Aparat priključujte samo u uzemljenu zidnu utičnicu. Obavezno proverite da li ste utikač ispravno uključili u utičnicu.
- Ovaj aparat nije namenjen za upotrebu sa spoljnim tajmerom ili odvojenim sistemom za daljinsko upravljanje.
- Nemojte da koristite aparat ako je oštećen utikač, kabl za napajanje ili sam aparat.
- Ako je kabl za napajanje oštećen, uvek mora da ga zameni kompanija Philips, ovlašćeni Philips servisni centar ili na sličan način kvalifikovane osobe kako bi se izbegao rizik.
- Ovaj aparat nije namenjen za upotrebu od strane osoba (što podrazumeva i decu) sa smanjenim fizičkim, senzornim ili mentalnim sposobnostima, ili nedostatkom iskustva i znanja, osim pod nadzorom ili na osnovu uputstava za upotrebu aparata datih od strane osobe koja odgovara za njihovu bezbednost.
- Deca moraju da budu pod nadzorom da se ne bi igrala aparatom.
- Kabl za napajanje držite van domašaja dece. Nemojte dozvoliti da kabl visi preko ivice stola ili radne površine na kojoj aparat stoji.
- Držite kabl dalje od vrelih površina.
- Uvek do kraja odmotajte kabl za napajanje sa kalema u postolju pre nego što uključite aparat.
- Nikada nemojte kuvati na pari zamrznuto meso, živinu niti ribu i morske plodove. Obavezno ih ostavite da se potpuno odmrznu, pa ih tek onda skuvajte na pari.
- Aparat za kuvanje na pari nikada nemojte da koristite bez posude za kapljanje kako se vrela voda ne bi prosipala iz aparata.
- Posude za kuvanje na pari i posudu za supu (samo za HD9190) koristite samo sa originalnim postoljem.

### **Oprez**

- Ovaj aparat je namenjen isključivo za upotrebu u domaćinstvu. Nije namenjen za upotrebu u okruženjima kao što su kuhinje za osoblje u prodavnicama, kancelarijama, na farmama i u drugim radnim okruženjima. Nije namenjen ni za upotrebu od strane klijenata u hotelima, motelima, prenoćištima i drugim vrstama smeštaja.
- Ako se aparat upotrebljava nepropisno, za profesionalne ili poluprofesionalne namene ili se koristi na način koji nije u skladu sa uputstvima iz korisničkog priručnika, garancija će prestati da važi, a Philips neće prihvatiti odgovornost ni za kakva nastala oštećenja.
- Nikada nemojte da koristite dodatke niti delove drugih proizvođača koje kompanija Philips nije izričito preporučila. U slučaju upotrebe takvih podataka ili delova, garancija prestaje da važi.

- Postolje aparata nemojte izlagati visokim temperaturama, vrelom plinu, pari niti vlažnoj toploti iz drugih izvora. Aparat za kuvanje na pari nikada nemojte stavljati na uključenu ili još vruću ringlu niti pored nje.
- Nemojte da stavljate uključeni aparat pored ili ispod predmeta koje može da ošteti para, kao što su zidovi i ormari.
- Ne koristite aparat u prisustvu eksplozivnih i/ili zapaljivih isparenja.
- Postavite aparat za kuvanje na pari na stabilnu, horizontalnu i ravnu površnu, i ostavite najmanje 10 cm slobodnog prostora oko aparata da ne bi došlo do pregrevanja.
- Odvojive donje delove uvek stavljajte odozgo u posude za kuvanje na pari. Da biste donje delove postavili ispravno, prvo spustite jednu stranu u posudu, a zatim i drugu stranu dok donji deo ne legne na mesto („klik“). Proverite da li je ispuščenje na dnu okrenuto nagore. (Sl. 2)
- Čuvajte se vrele pare koja izlazi iz aparata za kuvanje na pari u toku kuvanja, u režimu održavanja temperature ili kada podignete poklopac. Kada proveravate hranu, obavezno koristite kuhinjski pribor sa dugačkom drškom.
- Ne pružajte se preko aparata za kuvanje na pari dok radi.
- Ne dodirujte vrele površine aparata. Kada rukujete vrelim delovima aparata, obavezno koristite kuhinjske rukavice.
- Ne pomerajte aparat za kuvanje na pari dok radi.
- Poklopac uvek skidajte pažljivo i dalje od sebe. Pustite da kondenzovana voda sa poklopca kaplje u aparat za kuvanje na pari da se ne biste opekli.
- Kada je hrana vruća, posudu za kuvanje na pari uvek držite za drške.
- Rezervoar za vodu uvek praznite kroz grlić za dopunjavanje vode. Da biste ispraznili rezervoar za vodu, nagnite postolje unazad i prospite vodu sa zadnje strane postolja (Sl. 3).
- Pre čišćenja aparat obavezno isključite iz napajanja i ostavite ga da se ohladi.

### **Automatsko isključivanje**

Aparat je opremljen funkcijom automatskog isključivanja. Aparat se automatski isključuje ako ne pritisnete dugme u roku od 2 minuta od kako ste priključili aparat. Aparat se takođe automatski isključuje nakon isteka podešenog vremena za kuvanje na pari (što podrazumeva i vreme održavanja temperature).

### **Zaštita od suvog kuvanja**

Ovaj aparat ima zaštitu od suvog kuvanja. Zaštita od suvog kuvanja automatski isključuje grejni element ako u rezervoaru za vodu nema vode ili ako sva voda ispari u toku upotrebe. Napunite rezervoar za vodu hladnom vodom do oznake MAX da biste ponovo koristili aparat.

### **Elektromagnetna polja (EMF)**

Ovaj Philips aparat usklađen je sa svim standardima u vezi sa elektromagnetnim poljima (EMF). Ako se aparatom rukuje na odgovarajući način i u skladu sa uputstvima iz ovog priručnika, on je bezbedan za upotrebu prema trenutno dostupnim naučnim dokazima.

### Pre prve upotrebe

- 1 Pre prve upotrebe aparata temeljno očistite delove koji dolaze u dodir sa hranom (pogledajte poglavlje „Čišćenje i održavanje“).
- 2 Unutrašnjost rezervoara za vodu obrišite vlažnom krpom.

### Pre upotrebe

- 1 Aparat stavite na stabilnu, ravnu i horizontalnu površinu.
- 2 Do kraja odmotajte kabl za napajanje sa kalema u postolju pre nego što uključite aparat.
- 3 Rezervoar napunite vodom do oznake MAX (Sl. 4).
  - ▶ Kada se rezervoar za vodu napuni do oznake MAX, aparat za kuvanje na pari može da radi oko 60 minuta.

Nemojte puniti posudu za vodu iznad oznake MAX.

Rezervoar za vodu puniti isključivo vodom. U rezervoar za vodu nikada nemojte da stavljate začine, ulje niti druge supstance.

- 4 Stavite posudu za kapljanje na rezervoar za vodu na postolju (Sl. 5).

*Napomena: Aparat nikada nemojte da koristite bez posude za kapljanje u koju ne smete da sipate vodu, začine, ulje niti druge supstance.*

- 5 Stavite dodatak za aromu na posudu za kapljanje ako želite da dodate aromu hrani koju kuvate na pari. (Sl. 6)
  - Napunite dodatak za aromu svežim ili suvim začinskim biljem.
  - Preporučeno začinsko bilje i začine za razne vrste hrane naći ćete u tabeli za kuvanje hrane na pari u odeljku "Tabela hrane i saveti za kuvanje na pari".

- 6 Hranu koju želite da skuvate na pari stavite u jednu ili više posuda za kuvanje na pari i/ili u posudu za supu (samo za HD9190). (Sl. 7)
  - Odvojive donje delove uvek stavljajte odozgo u posude za kuvanje na pari. Da biste donje delove postavili ispravno, prvo spustite jednu stranu u posudu, a zatim i drugu stranu dok donji deo ne legne na mesto („klik“). Proverite da li je ispuščenje na dnu okrenuto nagore (Sl. 2).
  - Nemojte da stavljate previše hrane u posude za kuvanje na pari. Ostavite prostor između komada hrane i ravnomerno rasporedite hranu po dnu posude.
  - Samo za HD9189: Da biste kovali pirinač, možete da koristite laganu posudu koja može da stane u posude za kuvanje na pari. Proverite da li oko posude ima slobodnog prostora kako bi para mogla pravilno da cirkulira unutar aparata za kuvanje na pari.
  - Veće komade hrane i hranu koja se duže kuva stavite u posudu za kuvanje na pari najbližu dnu (1).
  - Za praktično kuvanje jaja, stavite ih na držače za jaja (Sl. 8).
  - Da biste kovali hranu većih dimenzija (npr. celo pile, kukuruz), možete da uklonite odvojivi donji deo sa srednje posude za kuvanje na pari (2) i velike posude (3) kako biste formirali jednu veliku posudu.

*Napomena: Maksimalni kapacitet posuda za kuvanje na pari je 1 kg.*

- 7 Jednu ili više posuda za kuvanje na pari stavite na posudu za kapljanje. Ispravno postavite posude i proverite da li su stabilne (Sl. 9).
  - Ne morate da koristite sve 3 posude za kuvanje na pari.
  - Posude za kuvanje na pari označene su brojevima od 1 do 3. Brojevi posuda za kuvanje na pari nalaze se na drškama. Možete da stavite svaku veću posudu preko manje posude, ali posude se najbolje uklapaju ako ih složite po logičkom rastućem redosledu: prvo najmanju posudu (1), zatim srednju posudu (2), pa najveću posudu (3). Posudu za kapljanje uvek koristite ispod posuda za kuvanje na pari i koristite samo one posude koje sadrže hranu (Sl. 10).



- Samo za HD9190: Posuda za supu namenjena je za pripremanje supe, druge tečne hrane i ribe. Ako želite da koristite posudu za supu, stavite je u veliku posudu za kuvanje na pari (3) (Sl. 11).
- Samo za HD9190: Kada skinete odvojivi donji deo sa velike posude za kuvanje na pari (3) da biste formirali veću posudu sa srednjom posudom (2) ispod, svakako možete da stavite posudu za supu za pripremanje ribe, pirinča ili supe na vrh (Sl. 12).
- Kada skinete odvojivi donji deo sa srednje posude za kuvanje na pari (2) da biste formirali veću posudu sa malom posudom (1) ispod, svakako možete da stavite veliku posudu (3) na vrh.

## **8 Poklopite posudu za kuvanje na pari koja se nalazi na vrhu (Sl. 13).**

*Napomena: Ako se poklopac ne zatvori dobro ili se ne stavi na posudu za kuvanje na pari, hrana se neće dobro skuhati.*

## **Upotreba aparata**

Aparat za kuvanje na pari ima dva režima kuvanja:

- 1 Ručni režim za brzo aktiviranje aparata za kuvanje na pari.
- 2 Režim za programiranje:
  - Program obroka: za pripremanje kompletnog obroka sa različitim vremenima pripreme za svaku posudu.
  - Program kuvara sa unapred podešenom dugmadi: za pripremanje hrane sa unapred određenim vremenom i temperaturom pripreme.

Više informacija o tome kako da koristite ove režime potražite u posebnim odeljcima ispod.

### **Opšta procedura**

Sledi opis opštih koraka koji se odnose na sva tri režima kuvanja na pari.

#### **1 Uključite utikač u zidnu utičnicu.**

- ▶ Uključiće se svetlo na dugmetu za uključivanje/isključivanje, a na ekranu će se pojaviti podrazumevano vreme kuvanja (20 minuta) (Sl. 14).

#### **2 Odaberite jedan od dva režima kuvanja na pari, a zatim sledite potrebne korake (pogledajte odeljke ispod za druge režime kuvanja).**

*Napomena: Ne možete da koristite oba režima kuvanja na pari u isto vreme. Nije moguće ni istovremeno korišćenje programa obroka i programa kuvara.*

*Napomena: Ako kuvate velike količine hrane, promešajte hranu na polovini procesa kuvanja kuhinjskim priborom sa dugačkom drškom. Stavite kuhinjske rukavice.*

*Napomena: Tokom prvih 5 minuta procesa kuvanja na pari počće da svetli indikator za režim „Turbo“. To pokazuje da aparat za kuvanje na pari koristi više snage za brzo zagrevanje.*

#### **3 Kada se proces kuvanja na pari završi, aparat će se oglasiti zvučnim signalom 5 puta, a zatim će automatski preći u režim za održavanje temperature (pogledajte odeljak „Režim za održavanje temperature“).**

#### **4 Nakon upotrebe pažljivo skinite poklopac.**

Čuvajte se vrele pare koja izlazi iz aparata kada podignete poklopac.

*Napomena: Da ne bi došlo do opekotina, stavite kuhinjske rukavice kada skidate poklopac. Poklopac podižite polako i dalje od sebe. Pustite da kondenzovana voda sa poklopca kaplje u posudu za kuvanje na pari.*

*Napomena: Koristite kuhinjski pribor sa dugačkom drškom da biste izvadili hranu iz posuda za kuvanje.*

#### **5 Kada uklonite posudu za kuvanje, pustite da kondenzovana voda sa posude kaplje u posudu za kuvanje na pari ispod ili u posudu za kapljanje.**

- 6** Isključite kabl iz utičnice i ostavite aparat za kuvanje na pari da se potpuno ohladi, pa tek onda skinite posudu za kapljanje.
- 7** Ispraznite rezervoar za vodu posle svake upotrebe tako što ćete da nagnete postolje unazad i prospete vodu sa zadnje strane postolja (Sl. 3).

Budite pažljivi kada uklanjate posudu za kapljanje i prazan rezervoar za vodu jer postoji mogućnost da je voda u njima još uvek vrela, čak i ako su se drugi delovi aparata već ohladili.

*Napomena: Ako sva voda ispari u toku upotrebe, uključite se indikator „Rezervoar za vodu je prazan“ što znači da je potrebno da dopunite rezervoar za vodu (Sl. 15).*

*Napomena: Ako želite da skuvate još hrane, u rezervoar za vodu možete da dodate malu količinu vode kroz grlić za dopunjavanje vode.*

*Napomena: Aparat automatski prelazi u režim pripravnosti ako se ne koristi 2 minuta. Pritisnite dugme za pokretanje/zaustavljanje da biste opet aktivirali kontrolnu tablu.*

### **Ručni režim**

---

Ovaj režim koristite za brzo aktiviranje aparata za kuvanje na pari.

- 1** Pritisnite dugme za podešavanje tajmera da biste izabrali potrebno vreme kuvanja (Sl. 16).
- 2** Pritisnite dugme za pokretanje/zaustavljanje da biste započeli kuvanje na pari (Sl. 17).
  - Počće proces kuvanja na pari. Indikator za pokretanje/zaustavljanje i indikator za režim „Turbo“ počće polako da trepere, a tajmer će odbrojavati podešeno vreme kuvanja na pari (Sl. 18).
  - Kada podešeno vreme kuvanja na pari istekne, aparat će se oglasiti zvučnim signalom i preći u režim za održavanje temperature. Uključite se indikator za održavanje temperature (Sl. 19).

### **Režim za programiranje: program obroka**

---

Koristite ovaj program za pripremanje kompletnog obroka pomoću različitih vremena pripreme za svaku posudu za kuvanje na pari. Aparat će automatski početi da kuva hranu u posudi za kuvanje na pari za koju je podešeno najduže vreme pripreme i oglasice se zvučnim signalom da biste znali kada da stavite posudu ili posude sa kraćim vremenom pripreme. Poslednja posuda za kuvanje na pari ima najkraće vreme pripreme.

*Napomena: Ako želite da pripremite obrok koristeći samo neke od tri posude za kuvanje na pari, podesite tajmer samo za one posude koje koristite.*

- 1** Pritisnite dugme za program obroka. (Sl. 20)
  - Uključite se svetlo na dugmetu za program obroka, a dugmad za tri posude za kuvanje na pari će zasvetleti (Sl. 21).
- 2** Pritisnite dugme za posudu za kuvanje na pari 1, 2 ili 3 da biste izabrali jednu od posuda. (Sl. 22)
  - Počće da treperi odgovarajući indikator.
- 3** Pomoću dugmadi za podešavanje tajmera postavite potrebno vreme pripreme za posudu koju ste izabrali. (Sl. 23)
- 4** Ponovo pritisnite dugme za posudu za kuvanje na pari za koju podešavate vreme da biste potvrdili. (Sl. 24)
  - Uključite se tačka ispod dugmeta za posudu za kuvanje na pari kako bi pokazala da je vreme podešeno.
- 5** Ponovite korake od 2 do 4 dok ne podesite vreme za sve posude za kuvanje na pari koje želite da koristite.
- 6** Stavite sastojke u posude za kuvanje na pari. Ako koristite sve tri posude za kuvanje na pari, hranu koja se najduže kuva stavite u najmanju posudu (1), hranu čije je vreme pripreme kraće stavite u srednju posudu (2), a hranu sa najkraćim vremenom pripreme stavite u najveću posudu (3).

- 7** Na postolje aparata za kuvanje na pari stavite posudu sa najdužim vremenom pripreme.
- 8** Pritisnite dugme za pokretanje/zaustavljanje (Sl. 17).
- ▶ Započće proces kuvanja na pari za posudu sa najdužim vremenom pripreme. Indikator za pokretanje/zaustavljanje počće polako da treperi, a tajmer će odbrojavati vreme kuvanja.
  - ▶ Nakon određenog vremena aparat će se oglasiti zvučnim signalom, a indikator posude za kuvanje na pari sa sledećim po dužini vremenom pripreme počće brzo da treperi, što znači da treba da stavite sledeću posudu (Sl. 25).
- 9** Posudu sa sledećim po dužini vremenom pripreme stavite preko posude koja je već na aparatu za kuvanje na pari, a zatim pritisnite dugme posude koje treperi ili dugme za pokretanje/zaustavljanje.
- 10** Aparat za kuvanje na pari će nastaviti sa procesom kuvanja.
- ▶ Indikator za pokretanje/zaustavljanje počće polako da treperi, a tajmer će odbrojavati vreme kuvanja.
  - ▶ Nakon određenog vremena aparat će se oglasiti zvučnim signalom, a indikator posude sa najkraćim vremenom pripreme počće da treperi, što znači da treba da stavite ovu posudu.
- 11** Posudu sa najkraćim vremenom pripreme stavite preko druge posude, a zatim pritisnite dugme posude koje treperi ili dugme za pokretanje/zaustavljanje.
- 12** Aparat za kuvanje na pari će nastaviti sa procesom kuvanja.
- ▶ Indikator za pokretanje/zaustavljanje počće polako da treperi, a tajmer će odbrojavati vreme kuvanja.
  - ▶ Kada vreme kuvanja na pari istekne, aparat će se oglasiti zvučnim signalom i preći će u režim održavanja temperature. Indikator za održavanje temperature i indikator za pokretanje/zaustavljanje počće polako da trepere.

### Režim za programiranje: program kuvara

---

Ovaj režim koristite za pripremanje određenih sastojaka na optimalan način sa unapred određenim vremenom i temperaturom pripreme.

*Napomena: Program kuvara možete da koristite samo sa posudom za kuvanje na pari koja je najbliža dnu i koja je postavljena direktno na posudu za kapljanje.*

*Napomena: Unapred podešena dugmad programa kuvara imaju duža vremena pripreme nego ručni režim. To je zato što su njihove temperature kuvanja delimično ispod 100°C kako bi se postigli najbolji rezultati kuvanja.*

- 1** Pritisnite dugme za program kuvara (Sl. 26).
- ▶ Ukljućće se svetlo na dugmetu za program kuvara, a četiri unapred podešena dugmeta će zasvetleti (Sl. 27).
- 2** Pritisnite jedno od četiri unapred podešena dugmeta.
- Pritisnite dugme za ribu za pripremanje ribe (Sl. 28).
  - Pritisnite dugme za krompir za pripremanje krompira (Sl. 29).
  - Pritisnite dugme za pirinač za pripremanje pirinča (Sl. 30).
  - Pritisnite dugme za povrće za pripremanje zelenog povrća (Sl. 31).
- 3** Ako je potrebno, vreme pripreme možete da podesite pomoću dugmadi za podešavanje tajmera, u zavisnosti od kolićine i velićine sastojaka u posudi za kuvanje na pari.
- 4** Pritisnite dugme za pokretanje/zaustavljanje.
- ▶ Poćće proces kuvanja na pari, a indikator za pokretanje/zaustavljanje počće polako da treperi. Ekran će naizmenićno prikazivati tajmer koji odbrojava vreme i trenutnu temperaturu pripreme izabranog unapred podešenog dugmeta.
  - ▶ Kada vreme kuvanja na pari istekne, aparat će se oglasiti zvučnim signalom i preći u režim održavanje temperature. Ukljućće se indikator za održavanje temperature.

## Režim za održavanje temperature.

Nakon kuvanja na pari, aparat za kuvanje na pari preći će automatski u režim za održavanje temperature i uključiti se indikator za održavanje temperature.

Režim za održavanje temperature održava hranu toplom tokom 20 minuta.

- Ako želite da hrana bude topla duže od 20 minuta, pritisnite dugmad za podešavanje tajmera kako biste podesili vreme održavanja temperature.
- Ako želite da deaktivirate režim za održavanje temperature dok je aktiviran, pritisnite dugme za pokretanje/zaustavljanje.

## Čišćenje i održavanje

Za čišćenje aparata nemojte da koristite jastučice za ribanje i abrazivna sredstva za čišćenje niti agresivne tečnosti kao što su benzin ili aceton.

**1** Isključite utikač iz zidne utičnice i ostavite aparat da se ohladi.

**2** Spoljašnjost postolja očistite vlažnom krpom.

Postolje nikad ne uranjajte u vodu i ne perite ga ispod slavine.

**3** Rezervoar za vodu očistite krpom koju ste natopili toplom vodom sa malo tečnosti za pranje sudova. Zatim rezervoar za vodu obrišite čistom vlažnom krpom.

**4** Poklopac ručno operite toplom vodom sa malo tečnosti za pranje sudova.

Poklopac nemojte da perete u mašini za sudove.

**5** Skinite odvojive donje delove sa posuda za kuvanje na pari. Ručno očistite posude, odvojive donje delove, dodatak za aromu, posudu za kapljanje i posudu za supu (samo za HD9190) u toploj vodi sa malo tečnosti za pranje sudova. Ove delove možete da perete i u mašini za sudove koristeći kratak ciklus i nisku temperaturu.

Često pranje posuda za kuvanje na pari u mašini za sudove može da dovede do blagog tamnjenja ovih delova.

## Čišćenje kamenca

Kada se u rezervoaru za vodu pojavi kamenac, trebate ga očistiti. Važno je da redovno čistite aparat kako bi se održale optimalne performanse.

**1** Rezervoar za vodu napunite alkoholnim sirćetom (8% sirćetne kiseline) do oznake MAX.

Nemojte koristiti druga sredstva za uklanjanje kamenca.

**2** Posudu za kapljanje i malu posudu za kuvanje na pari (1) pravilno stavite na postolje (Sl. 32).

**3** Stavite poklopac na malu posudu za kuvanje na pari (Sl. 33).

**4** Uključite utikač u zidnu utičnicu.

**5** Da biste aktivirali kontrolnu tablu, pritisnite dugme za pokretanje/zaustavljanje.

**6** Pritisnite dugme za pokretanje/zaustavljanje kako bi aparat radio 20 minuta (Sl. 17).

Ako sirće počne da kipi preko ivice postolja, isključite aparat iz struje i smanjite količinu sirćeta.

**7** Kada se aparat oglasi zvučnim signalom, isključite ga iz struje i ostavite da se sirće potpuno ohladi. Zatim ispraznite rezervoar za vodu.

**8** Rezervoar za vodu više puta isperite hladnom vodom.

*Napomena: Ukoliko u rezervoaru za vodu ima još kamenca, ponovite celu proceduru.*

## Odlaganje

- 1 Pre odlaganja aparata, proverite da li su svi delovi čisti i suvi (pogledajte poglavlje „Čišćenje i održavanje“).
- 2 Kabl za napajanje odložite tako što ćete ga namotati na držače koji se nalaze u bazi jedinice motora (Sl. 34).
- 3 Stavite posudu za kapljanje na postolje (Sl. 35).
- 4 Proverite da li su odvojivi donji delovi postavljeni na posude za kuvanje na pari.
- 5 Stavite veliku posudu za kuvanje na pari (3) na posudu za kapljanje. Stavite srednju posudu (2) u veliku posudu (3). Stavite malu posudu (1) u srednju posudu (2) (Sl. 36).
- 6 Samo za HD9190: Stavite posudu za supu u malu posudu za kuvanje na pari (1).
- 7 Stavite poklopac na posudu za supu (samo za HD9190) ili na malu posudu za kuvanje na pari (Sl. 37).

## Garancija i servis

Ukoliko vam je potreban servis, informacije ili imate neki problem, posetite Web lokaciju kompanije Philips na adresi [www.philips.com/support](http://www.philips.com/support) ili se obratite centru za korisničku podršku kompanije Philips u svojoj zemlji (broj telefona ćete pronaći na međunarodnom garantnom listu). Ako u vašoj zemlji ne postoji centar za korisničku podršku, obratite se lokalnim distributeru Philips proizvoda.

## Zaštita okoline

- Aparat koji se više ne može upotrebljavati nemojte da odlažete u kućni otpad, već ga predajte na zvaničnom mestu prikupljanja za reciklažu. Tako ćete doprineti zaštiti okoline (Sl. 38).

## Rešavanje problema

Ovo poglavlje sumira najčešće probleme sa kojima možete da se sretnete prilikom upotrebe aparata. Ukoliko niste u mogućnosti da rešite određeni problem pomoću sledećih informacija, obratite se centru za korisničku podršku u svojoj zemlji.

Problem	Mogući uzrok	Rešenje
Aparat za kuvanje na pari ne radi.	Aparat za kuvanje na pari nije uključen u struju.	Uključite utikač u zidnu utičnicu.
	U rezervoaru za vodu nema dovoljno vode.	Napunite rezervoar za vodu.
Nije se skuvala sva hrana.	Još uvek niste pritisnuli dugme za pokretanje/zaustavljanje.	Pritisnite dugme za pokretanje/zaustavljanje.
	Neki komadi hrane u aparatu su veći i/ili potrebno im je duže kuvanje.	Podesite duže vreme kuvanja pomoću dugmeta +.

Veće komade hrane i hranu koju treba duže kuvati stavite u malu posudu za kuvanje na pari (1) i započnite kuvanje na pari neko vreme pre dodavanja drugih posuda.

Problem	Mogući uzrok	Rešenje
	Stavili ste previše hrane u posude za kuvanje na pari.	Nemojte da prepunjavate posude za kuvanje na pari. Isecite hranu na male komade, a najmanje komade stavite na vrh.  Ostavite prostor između komada hrane i ravnomerno rasporedite hranu po dnu posude.
Aparat se ne zagreva pravilno.	Niste redovno čistili aparat od kamenca.	Očistite aparat od kamenca. Pogledajte poglavlje „Čišćenje i održavanje“.
Voda prska iz rezervoara za vodu tokom kuvanja na pari.	Sipali ste previše vode u rezervoar za vodu.	Uklonite višak vode iz rezervoara za vodu. Proverite da voda ne prelazi oznaku MAX.
Indikator „Rezervoar za vodu je prazan“ uključuje se iako ima dovoljno vode u rezervoaru za vodu.	Na grejnom elementu ima previše kamenca.	Očistite kamenac iz rezervoara za vodu. Pogledajte odeljak „Čišćenje kamenca“ u poglavlju „Čišćenje i održavanje“.
Dodatak za aromu ima slab učinak ili ga nema uopšte.	Niste stavili dovoljno začinskog bilja u dodatak za aromu.	Stavite više začinskog bilja u dodatak za aromu.
	Niste stavili odgovarajuće vrste začinskog bilja u dodatak za aromu.	U dodatak za aromu stavite začinsko bilje sa jakim aromom. Pogledajte tabelu za kuvanje hrane na pari u poglavlju „Tabela hrane i saveti za kuvanje na pari“.
	Hranu ste jeli mnogo vremena nakon što ste je pripremili.	Jedite hranu odmah nakon što je pripremite.
Voda u rezervoaru za vodu ili u posudi za kapljanje je zapenjena.	Pena može da se pojavi kada se proteini nađu u vodi u rezervoaru za vodu ili kada ostaci sredstava za čišćenje ostanu u rezervoaru za vodu.	Očistite rezervoar za vodu. Pogledajte poglavlje „Čišćenje i održavanje“.

### Tabela hrane i saveti za kuvanje na pari

- Recepte za kuvanje potražite u knjizi recepata ili posetite lokaciju [www.philips.com/kitchen](http://www.philips.com/kitchen).
- Vremena za kuvanje na pari navedena u tabeli ispod predstavljaju samo okvirne vrednosti. Vremena kuvanja mogu da se razlikuju u zavisnosti od veličine komada hrane, razmaka između hrane u posudi za kuvanje na pari, količine hrane u posudi, svežine hrane i vašeg ukusa.

### Tabela za kuvanje na pari

Hrana za kuvanje	Količina	Vreme kuvanja na pari (min.)	Preporučeno začinsko bilje/ začini za dodatak za aromu
Špargle	500 g	15-20	Majčina dušica, bosiljak, limun
Mladi kukuruz	200 g	5-8	Vlašac, čili, paprika
Boranija	500 g	15-20	Peršun, limun, beli luk
Brokoli	400 g	20	Beli luk, tucana ljuta paprika, estragon
Šargarepa	500 g	20	Peršun, suva slačica, luk vlašac
Cvetovi karfiola	400 g	20	Ruzmarin, bosiljak, estragon
Koren celera (u kockicama)	300 g	15-20	Kumin, beli biber, ljuta paprika
Pileći batak	1 komad	25	Crni biber, limun, paprika
Kukuruz	500 g	30-40	Peršun, beli luk, luk vlašac
Tikvice (isečene)	500 g	10	Mirođija, žalfija, ruzmarin
Kus kus	150 g + 250 ml vode	10-15	Kumin, korijander, klinčići
Jaja	6 komada	12-15	-
Voće	500 g / 4 komada	10-15	Cimet, limun, klinčići
Grašak (smrznuti)	400 g	20-25	Ruzmarin, kumin, peršun
Krompir	400 g	25-30	Peršun, luk vlašac, beli luk
Škamp	200 g	5	Kari u prahu, šafran, limun
Puding	4 posude	20	Cimet, klinčići, vanila
Pirinač	150 g + 300 ml vode	35	Pandan, peršun, kumin
	250 g + 500 ml vode	35	Pandan, peršun, kumin
Losos	450 g	12 - 15 min.	Mirođija, peršun, bosiljak
Bela riba	450 g	10-15	Suvi senf, piment, majoran

### Vremena kuvanja za unapred podešene režime (Sl. 39)

#### Saveti za kuvanje na pari

##### Dodatak za aromu

- Neki od začina i začinskog bilja koje možete da stavite u dodatak za aromu su ruzmarin, tamjan, korijander, bosiljak, mirođija, kari i estragon. Možete da ih kombinujete sa belim lukom, kimom ili renom kako biste poboljšali ukus bez dodavanja soli. Preporučujemo da koristite 1/2 do 3 kašičice suvog začinskog bilja ili začina. Stavite veću količinu ako koristite sveže začinsko bilje ili začine.
- Dodatak za aromu najefikasniji je za hranu koja se kuva u posudi najbližoj dnu, koja je stavljena direktno na posudu za kapljanje.

- Dodatne savete o začinskom bilju, začinicima i tečnostima koji se koriste u dodatku za aromu potražite u gornjoj tabeli za kuvanje hrane na pari.
- Ako stavite malo ulja na hranu, poboljšaćete učinak dodatka za aromu, a hrana će dobiti i puniji ukus.
- Kako biste postigli najbolje rezultate, sitno iseckajte začinsko bilje i ravnomerno napunite dodatak za aromu.
- Ako želite da dobijete najbolji ukus, savetujemo vam da hranu jedete odmah nakon što je pripremite.
- Nemojte da sipate tečnosti u dodatak za aromu.

### **Povrće i voće**

- Odsecite debele stabljike karfiola, brokolija i kupusa.
- Lisnato zeleno povrće kuvajte na pari što kraće, pošto lako gubi boju.
- Nemojte odmrzavati zamrznuto povrće pre kuvanja na pari.

### **Meso, živinsko meso, riba, morski plodovi i jaja**

- Za kuvanje na pari najpogodniji su meki komadi mesa sa malo masti.
- Dobro operite meso i osušite ga tapkanjem, tako da izgubi što je moguće manje sokova.
- Meso, živinsko meso, ribu ili jaja obavezno stavljajte ispod druge hrane da bi se sprečilo kapljanje sokova.
- Pre nego što stavite jaja u aparat za kuvanje, probušite ih.
- Nikada nemojte kuvati na pari zamrznuto meso, živinsko meso niti ribu i morske plodove. Obavezno ih ostavite da se potpuno otope, pa ih tek onda stavite u aparat za kuvanje na pari.

### **Poslastice**

- Umesto šećera dodajte malo cimeta u desert da biste ga zaslادili.

### **Opšti saveti**

- Samo za HD9190: Da biste pripremili pirinač, morate da dodate vodu pirinču koji je u posudi za supu. Potrebne količine potražite u gornjoj tabeli za kuvanje hrane na pari.
- Kada završite sa kuvanjem pirinča pomoću unapred podešenog dugmeta za kuvanje pirinča, isključite aparat, promešajte pirinač i ostavite ga u posudi zatvorenog poklopca 5 minuta. Na taj način ćete dobiti još bolji rezultat.
- Samo za HD9190: Osim pripremanja supe, posudu za supu možete da koristite i za pripremanje povrća u sosu, kuvanje ribe u vodi, kuvanje marinirane hrane i za pravljenje pudinga, supe i pirinča.
- Ostavite prostor između komada hrane i ravnomerno rasporedite hranu po dnu posude.
- Ako u posudi za kuvanje na pari ima puno hrane, promešajte je na polovini procesa kuvanja.
- Male količine hrane kuvaju se kraće od većih količina hrane.
- Ako koristite samo jednu posudu za kuvanje na pari, hrana će se skuvati brže nego kada koristite 2 ili 3 posude za kuvanje na pari.
- Ako koristite više posuda za kuvanje na pari, hranu kuvajte 5–10 minuta duže.
- Hrana u maloj posudi za kuvanje (1) biće gotova pre hrane u gornjim posudama.
- Proverite da li je hrana dobro skuvana pre nego što počnete da je jedete. Ovo je naročito važno kada kuvate meso kao što je svinjetina, mlevena govedina i piletina.
- U toku procesa kuvanja na pari možete da dodajete hranu ili posude. Ako se neki sastojak kraće kuva na pari, dodajte ga kasnije.
- Nakon što se uređaj prebaci u režim održavanja temperature, hrana se još neko vreme kuva na pari. Ako je hrana već potpuno skuvana, izvadite je iz aparata nakon što istekne vreme kuvanja, a aparat pređe u režim održavanja temperature.
- Ako hrana nije skuvana, podesite duže vreme kuvanja. Možda ćete morati da sipate još vode u rezervoar za vodu.
- Samo za HD9190: Aparat za kuvanje na pari može da se koristi za podgrevanje gotove supe. Stavite supu u posudu za supu i kuvajte je u unapred podešenom režimu za kuvanje ribe. Za zagrevanje 250 ml supe potrebno je oko 10 minuta.



## Вступ

Вітаємо Вас із покупкою та ласкаво просимо до клубу Philips! Щоб у повній мірі скористатися підтримкою, яку пропонує компанія Philips, зареєструйте свій виріб на веб-сайті [www.philips.com/welcome](http://www.philips.com/welcome).

## Загальний опис (Мал. 1)

- 1 Панель керування із дисплеєм і кнопками
  - а Кнопка початку/зупинення і паузи
  - б Кнопка таймера зі стрілкою вгору та вниз
  - с Індикатор спорожнення резервуара для води
  - d Кнопки кошиків для обробки парою (1, 2, 3)
  - е Кнопка програми приготування страв
  - f Кнопка програми "шеф-кухар"
  - g Кнопки попередньо встановлених налаштувань програми "шеф-кухар" (риба, картопля, рис, зелені овочі)
  - h Індикація таймера
  - і Індикатор збереження тепла
  - j Підсвітка кнопки "турбо"
- 2 Платформа з резервуаром для води
- 3 Датчик температури
- 4 Лоток для крапель
- 5 Пристосування для спецій
- 6 Малий кошик для обробки парою (1)
- 7 Середній кошик для обробки парою (2)
- 8 Великий кошик для обробки парою (3)
- 9 Чаша для супу (лише HD9190)
- 10 Кришка
- 11 Отвори для пари
- 12 Ручка кришки
- 13 Знімне дно
- 14 Носик для наповнення водою
- 15 Пристосування для шнура

**Примітка:** Кошики для обробки парою пронумеровано від 1 до 3. Номери кошиків для обробки парою вказано на їхніх ручках. Будь-який більший кошик можна поставити на менший, але найкраще ставити їх у порядку зростання: спочатку найменший кошик (1), а потім середній кошик (2) і великий (3).

**Примітка для HD9190:** Чашу для супу найкраще використовувати з великим кошиком (3).

**Примітка:** Під кошики для обробки парою слід ставити лоток для крапель. Кошиками для обробки парою можна користуватися лише в разі наповнення їх їжею.

**Важлива інформація**

Перед тим як використовувати пристрій, уважно прочитайте цей посібник користувача і зберігайте його для майбутньої довідки.

**Небезпечно**

- Ні в якому разі не занурюйте платформу у воду і не мийте її під краном.

**Увага!**

- Перед тим як під'єднувати пристрій до електромережі, перевірте, чи збігається напруга, вказана на пристрої, з напругою у мережі.
- Підключайте пристрій лише до заземленої розетки. Завжди перевіряйте, чи штепсель зафіксований в розетці належним чином.
- Цей пристрій не призначено для керування за допомогою зовнішнього таймера чи окремої системи дистанційного керування.
- Не використовуйте пристрій, якщо штекер, шнур живлення або сам пристрій пошкоджено.
- Якщо шнур живлення пошкоджений, для уникнення небезпеки його необхідно замінити, звернувшись до компанії Philips, уповноваженого сервісного центру або фахівців із належною кваліфікацією.
- Цей пристрій не призначено для користування особами (включаючи дітей) з послабленими фізичними відчуттями чи розумовими здібностями, або без належного досвіду та знань, крім випадків користування під наглядом чи за вказівками особи, яка відповідає за безпеку їх життя.
- Дорослі повинні стежити, щоб діти не бавилися пристроєм.
- Зберігайте шнур живлення подалі від дітей. Шнур живлення не повинен звисати над краєм столу чи робочої поверхні, на якій стоїть пристрій.
- Тримайте шнур живлення подалі від гарячих поверхонь.
- Перш ніж вмикати пристрій, слід повністю розмотати шнур живлення з барабана на платформі.
- Ніколи не обробляйте парою заморожене м'ясо, домашню птицю чи морепродукти. Перед обробкою парою ці продукти слід повністю розморозити.
- У жодному разі не використовуйте пароварку без лотка для крапель, оскільки це може спричинити витікання гарячої води з пристрою.
- Кошики для обробки парою і чашу для супу (лише HD9190) використовуйте лише разом з оригінальною платформою.

## Увага

- Цей пристрій призначено виключно для побутового використання. Його не призначено для використання на службових кухнях у магазинах, офісах, фермерських господарствах та в інших виробничих умовах. Його також не призначено для використання клієнтами в готелях, мотелях, готелях із комплексом послуг “ночівля і сніданок” та інших жилих середовищах.
- Якщо пристрій використовується неналежно, у професійних чи напівпрофесійних цілях або іншим чином всупереч цій інструкції, гарантія втрачає чинність, а компанія Philips не несе відповідальності за заподіяну шкоду.
- Не використовуйте насадки чи деталі інших виробників, за винятком тих, які рекомендує компанія Philips. Використання таких насадок чи деталей призведе до втрати гарантії.
- Оберегайте пристрій від дії високих температур, гарячої пари або вологого тепла від інших джерел, аніж сама пароварка. Не ставте пароварку на або біля увімкненої пічки чи ще гарячої кухонної плити.
- Не ставте увімкнений пристрій біля або під предметами, які можуть пошкодитися під дією пари (наприклад, стіни та шафи).
- Не використовуйте пристрій в середовищі вибухових та/або займистих газів.
- Ставте пароварку на стійку, горизонтальну і рівну поверхню таким чином, щоб довкола неї було принаймні 10 см вільного простору для запобігання перенагріванню.
- Встановлюйте знімне дно в кожен кошик для обробки парою, починаючи згори. Щоб належно розмістити дно, спочатку вставте в кошик одну сторону, а потім іншу до фіксації. Слідкуйте, щоб опуклість на дні була спрямована вгору. (Мал. 2)
- Будьте обережні, щоб не обпектися гарячою парою, яка виходить із пароварки під час обробки продуктів парою у режимі збереження тепла або коли Ви знімаєте кришку. Перевіряючи, чи страва готова, завжди використовуйте кухонне приладдя з довгими ручками.
- Коли пароварка працює, не нахилийтеся над нею.
- Не торкайтеся гарячих поверхонь пристрою. Щоб не обпектися, завжди використовуйте кухонні рукавиці.
- Коли пароварка працює, не переміщайте її.
- Кришку слід знімати обережно і на певній відстані від себе. Щоб не обпектися, зачекайте, коли краплі пари стечуть з кришки у пристрій.

- Кошик для обробки парюю слід завжди тримати за ручки, якщо їжа гаряча.
- Не спорожняйте резервуар для води за допомогою носика для наповнення водою. Щоб спорожнити резервуар для води, нахиліть платформу назад і вилийте воду із задньої частини платформи (Мал. 3).
- Перед тим, як очистити пристрій, завжди від'єднуйте його від мережі і дайте охолонути.

#### **Автоматичне вимкнення**

Пристрій обладнано функцією автоматичного вимкнення. Пристрій вимикається автоматично, якщо протягом 2 хвилин після під'єднання його до мережі не натиснути жодної кнопки. Пристрій також автоматично вимикається після завершення встановленого періоду часу (включаючи час збереження тепла).

#### **Захист від нагрівання без води**

Цю пароварку обладнано функцією захисту від википання води. Функція захисту від википання води автоматично вимикає нагрівальний елемент, якщо в резервуарі немає води або вона закінчується. Щоб знову користуватися пристроєм, наповніть резервуар холодною водою до позначки MAX.

#### **Електромагнітні поля (ЕМП)**

Цей пристрій Philips відповідає усім стандартам електромагнітних полів (ЕМП). Згідно з останніми науковими дослідженнями, пристрій є безпечним у використанні за умов правильної експлуатації у відповідності з інструкціями, поданими у цьому посібнику користувача.

#### **Перед першим використанням**

- 1** Перед першим використанням добре почистіть частини, які контактуватимуть із їжею (див. розділ "Чищення та догляд").
- 2** Резервуар для води слід очистити вологою ганчіркою.

#### **Підготовка до використання**

- 1** Поставте пристрій на рівну, горизонтальну і стійку поверхню.
- 2** Перш ніж вмикати пристрій, повністю розмотайте шнур живлення з барабана на платформі.

- 3** Наповніть резервуар для води водою до позначки MAX (Мал. 4).  
 ▶ Якщо резервуар для води наповнити водою до позначки MAX, пароварка працює прибіл. 60 хвилин.

Не наповнюйте резервуар для води вище позначки MAX.

Наповнюйте резервуар для води лише водою. У жодному разі не наповнюйте його приправами, олією чи іншими речовинами.

- 4** Поставте лоток для крапель на резервуар для води, що на платформі (Мал. 5).

*Примітка: У жодному разі не використовуйте пристрій без лотка для крапель і не наливайте та не кладіть у лоток для крапель воду, олію, приправи чи інші речовини.*

- 5** Встановіть пристосування для спецій на лоток для крапель, якщо їжу, яка буде оброблятися парою, потрібно приправити. (Мал. 6)

- Наповніть пристосування для спецій свіжими чи сушеними травами.
- Інформацію про рекомендовану кількість трав або спецій для різних типів продуктів див. у таблиці обробки продуктів парою в розділі "Таблиця продуктів і поради щодо обробки парою".

- 6** Помістіть продукти в один чи більше кошиків для обробки парою та/або чашу для супу (лише HD9190). (Мал. 7)

- Встановлюйте знімне дно в кожен кошик для обробки парою, починаючи згори. Щоб належно розмістити дно, спочатку вставте в кошик одну сторону, а потім іншу до фіксації. Слідкуйте, щоб опуклість на дні була спрямована вгору (Мал. 2).
- Не кладіть у кошики для обробки парою надто багато їжі. Залиште між шматками їжі вільне місце і рівномірно розкладіть її на дно кошика.
- Лише HD9189: Для приготування рису можна скористатися легкою чашею, яка вміщається у кошики для обробки парою. Для належної циркуляції пари всередині пароварки слідкуйте, щоб навколо чаші було вільне місце.
- Великі шматки продуктів і продукти, які потрібно довше обробляти на парі, слід ставити в найнижчий кошик для обробки парою (1).
- Для зручної обробки яєць парою їх слід ставити у тримачі для яєць (Мал. 8).
- Для обробки парою продуктів великих розмірів (наприклад, тушок курчат, кукурудзяних качанів) можна зняти знімне дно із середнього кошика для обробки парою (2) та великого кошика для обробки парою (3), щоб отримати один великий кошик.

*Примітка: Максимальна місткість кошиків для обробки парою становить 1 кг.*

- 7** Встановіть один чи більше кошиків для обробки парою на лоток для крапель.

**Слідкуйте, щоб кошики було встановлено належним чином і вони не хиталися (Мал. 9).**

- Не потрібно використовувати всі 3 кошики для обробки парою.
- Кошики для обробки парою пронумеровано від 1 до 3. Номери кошиків для обробки парою вказано на їхніх ручках. Будь-який більший кошик можна поставити на менший, але найкраще ставити їх у порядку зростання: спочатку найменший кошик (1), а потім середній кошик (2) і великий (3). Під кошики для обробки парою слід ставити лоток для крапель. Кошиками для обробки парою можна користуватися лише в разі наповнення їх їжею (Мал. 10).

- Лише HD9190: Чашу для супу призначено для приготування супу, інших рідких страв і риби. Чашу для супу слід ставити у великий кошик для обробки парою (3) (Мал. 11).
- Лише HD9190: Якщо з великого кошика для обробки парою зняти знімне дно (3), аби отримати більший кошик із середнім кошиком (2) знизу, чашу для супу можна ставити зверху та готувати рибу, рис або суп (Мал. 12).
- Якщо із середнього кошика для обробки парою зняти знімне дно (2), аби отримати більший кошик із малим кошиком (1) знизу, великий кошик для обробки парою можна поставити зверху (3).

### **8 Накрийте кришкою верхній кошик для обробки парою (Мал. 13).**

*Примітка: Якщо кошик для обробки парою не накрити кришкою або накрити нещільно, їжу не буде оброблено парою належним чином.*

## **Застосування пристрою**

Пароварка має два режими обробки парою, які подано нижче.

- 1 Ручний режим для швидкого увімкнення пароварки.
- 2 Режим програми:
  - Програма приготування страв: приготування усіх страв із різним часом приготування для кожного кошика.
  - Програма "шеф-кухар" із кнопками попередньо встановлених налаштувань: приготування їжі з попередньо встановленим часом приготування і температурою.

Детальніше про використання цих режимів читайте в окремих розділах нижче.

### **Загальна процедура**

Подані нижче кроки є загальними кроками, які стосуються усіх трьох режимів обробки парою.

- 1** Вставте штепсель у розетку на стіні.
  - ▶ Засвітиться індикатор на кнопці "увімк./вимк.", і на дисплеї з'явиться стандартний час обробки парою (20 хвилин) (Мал. 14).
- 2** Виберіть один із двох режимів обробки парою і виконайте потрібні кроки (див. розділи про різні режими обробки парою нижче).

*Примітка: Використовувати обидва режими обробки парою одночасно неможливо. Також неможливо одночасно використовувати програму приготування страв і програму "шеф-кухар".*

*Примітка: Якщо парою обробляється велика кількість продуктів, їжу слід перемішати кухонною ложкою з довгою ручкою, коли мине половина часу. Не забудьте огягнути кухонні рукавиці.*

*Примітка: Протягом перших 5 хвилин обробки парою вмикається підсвітка кнопки "турбо". Це свідчить про те, що пароварка використовує додаткову потужність, щоб пришвидшити нагрівання.*

- 3** Після обробки парою пристрій подає 5 звукових сигналів та автоматично переходить у режим збереження тепла (див. розділ "Режим збереження тепла").
- 4** Після використання обережно зніміть кришку.

Знімаючи кришку, стежте, щоб не обпектися гарячою парою, що виходить з пристрою.

*Примітка: Щоб не обпектися, знімайте кришку в кухонних рукавицях. Знімати кришку слід повільно та на певній відстані від себе. Зачекайте, поки краплі пари з кришки не стечуть у кошик для обробки парою.*

*Примітка: Щоб вийняти їжу з кошиків для обробки парою, користуйтеся кухонним приладдям із довгою ручкою.*

- 5** Виймаючи кошик для обробки парою, зачекайте, поки краплі пари не стечуть у підставлений знизу кошик для обробки парою або лоток для крапель.
- 6** Перед тим як вийняти лоток для крапель, витягніть штепсель із розетки і дайте пароварці охолонути.
- 7** Спорожнюйте резервуар для води після кожного використання, нахилиючи платформу назад та виливаючи воду із її задньої частини (Мал. 3).

Виймати лоток для крапель та спорожнювати резервуар для води слід обережно, оскільки вода в них може бути ще гарячою, навіть якщо інші частини пристрою вже холодні.

*Примітка: Якщо під час обробки парою закінчується вода, засвічується індикатор спорожнення резервуара для води, повідомляючи про необхідність наповнення резервуара для води (Мал. 15).*

*Примітка: Якщо Ви хочете обробити парою більше продуктів і потрібно більше води, її можна долити невеликими об'ємами в резервуар для води через носик для наповнення водою.*

*Примітка: Пристрій автоматично переходить у режим очікування, якщо ним не скористатися упродовж 2 хвилин. Щоб знову увімкнути панель керування, натисніть кнопку початку/зупинення.*

### **Ручний режим**

Використовуйте цей режим для швидкого увімкнення пароварки.

- 1** Щоб вибрати потрібний час обробки парою, натисніть кнопку таймера зі стрілкою вгору чи вниз (Мал. 16).
- 2** Щоб почати процес обробки парою, натисніть кнопку початку/зупинення (Мал. 17).
  - ▶ Почнеться обробка парою. Повільно блиматиме підсвітка кнопки початку/зупинення та кнопки “турбо”, і таймер відраховуватиме встановлений час обробки парою (Мал. 18).
  - ▶ Після завершення встановленого часу обробки парою пристрій подасть звукові сигнали та перейде в режим збереження тепла. Засвітиться індикатор збереження тепла (Мал. 19).

### **Режим програми: програма приготування страв**

Використовуйте цю програму для приготування усіх страв із різним часом приготування для кожного кошика для обробки парою. Пристрій автоматично починає обробляти парою їжу в кошику для обробки парою із найбільшим часом приготування і подає звукові сигнали, повідомляючи про необхідність встановлення кошика для обробки парою чи кошиків із меншим часом приготування. Останній кошик для обробки парою має найменший час приготування.

*Примітка: Щоб приготувати страву без використання усіх трьох кошиків для обробки парою, налаштуйте таймер лише для кошиків, які Ви використовуєте.*

- 1** Натисніть кнопку програми приготування страв. (Мал. 20)
  - ▶ Засвітиться підсвітка кнопки програми приготування страв і три кнопки кошиків для обробки парою (Мал. 21).
- 2** Щоб вибрати один із кошиків для обробки парою, натисніть кнопку кошика для обробки парою 1, 2 чи 3. (Мал. 22)
  - ▶ Почне блимати відповідна підсвітка.
- 3** Щоб встановити потрібний час приготування для вибраного кошика для обробки парою, натискайте кнопки таймера зі стрілкою вгору та вниз. (Мал. 23)

- 4** Щоб підтвердити, знову натисніть кнопку кошика для обробки парою, для якого Ви встановлюєте час. (Мал. 24)
  - ▶ Засвітиться точка під кнопкою кошика для обробки парою, повідомляючи про те, що час встановлено.
- 5** Повторюйте кроки 2-4, поки не буде встановлено час для усіх кошиків для обробки парою, які Ви хочете використовувати.
- 6** Покладіть продукти в кошики для обробки парою. У разі використання усіх трьох кошиків для обробки парою продуктів з найбільшим часом приготування кладіть у найменший кошик для обробки парою (1), продукти з меншим часом приготування кладіть у середній кошик (2), а продукти з найменшим часом приготування – у найбільший кошик (3).
- 7** Поставте кошик для обробки парою із найбільшим часом приготування на платформу пароварки.
- 8** Натисніть кнопку початку/зупинення (Мал. 17).
  - ▶ Почнеться обробка парою продуктів у кошику для обробки парою із найбільшим часом приготування. Повільно блиматиме підсвітка кнопки початку/зупинення, і таймер відраховуватиме час обробки парою.
  - ▶ Через деякий час пристрій почне подавати звукові сигнали, і швидко блиматиме підсвітка кнопки кошика для обробки парою із другим по величині значенням часу приготування, повідомляючи про необхідність встановлення наступного кошика (Мал. 25).
- 9** Поставте кошик для обробки парою із другим по величині значенням часу приготування на кошик, що на пароварці, та натисніть кнопку кошика для обробки парою, що блимає, або кнопку початку/зупинення.
- 10** Пароварка продовжить обробку парою.
  - ▶ Почне повільно блимати підсвітка кнопки початку/зупинення, і таймер відраховуватиме час обробки парою.
  - ▶ Через деякий час пристрій почне подавати звукові сигнали, і блиматиме підсвітка кнопки кошика для обробки парою із найменшим часом приготування, повідомляючи про необхідність встановлення цього кошика.
- 11** Поставте кошик для обробки парою із найменшим часом приготування на інші кошики та натисніть кнопку кошика для обробки парою, що блимає, або кнопку початку/зупинення.
- 12** Пароварка продовжить обробку парою.
  - ▶ Почне повільно блимати підсвітка кнопки початку/зупинення, і таймер відраховуватиме час обробки парою.
  - ▶ Після завершення часу обробки парою пристрій подасть звукові сигнали та перейде в режим збереження тепла. Почне повільно блимати індикатор збереження тепла та підсвітка кнопки початку/зупинення.



## Режим програми: програма “шеф-кухар”

Використовуйте цей режим для найкращого приготування певних продуктів за допомогою попередньо встановленого часу приготування і температури.

*Примітка: Програму “шеф-кухар” можна використовувати лише з найнижчим кошиком для обробки парюю, що встановлюється безпосередньо на лоток для крапель.*

*Примітка: Кнопки попередньо встановлених налаштувань програми “шеф-кухар” мають більший час приготування, ніж кнопки ручного режиму. Це пов'язано з тим, що їхня температура приготування є дещо нижчою, ніж 100°C, для забезпечення найкращого результату приготування.*

- 1** Натисніть кнопку програми “шеф-кухар” (Мал. 26).
  - ▶ Засвітиться підсвітка кнопки програми “шеф-кухар” і чотири кнопки попередньо встановлених налаштувань (Мал. 27).
- 2** Натисніть одну з чотирьох кнопок попередньо встановлених налаштувань.
  - Щоб приготувати рибу, натисніть кнопку приготування риби (Мал. 28).
  - Щоб приготувати картоплю, натисніть кнопку приготування картоплі (Мал. 29).
  - Щоб приготувати рис, натисніть кнопку приготування рису (Мал. 30).
  - Щоб приготувати зелені овочі, натисніть кнопку приготування овочів (Мал. 31).
- 3** Якщо потрібно, час приготування можна налаштувати за допомогою кнопки таймера зі стрілкою вгору чи вниз залежно від кількості та розміру продуктів у кошику для обробки парюю.
- 4** Натисніть кнопку початку/зупинення.
  - ▶ Почнеться обробка парюю, і повільно блиматиме підсвітка кнопки початку/зупинення. Дисплей почергово показуватиме відлік часу таймером і поточну температуру приготування вибраної кнопки попередньо встановлених налаштувань.
  - ▶ Після завершення часу обробки парюю пристрій подасть звукові сигнали та перейде в режим збереження тепла. Засвітиться індикатор збереження тепла.

## Режим збереження тепла

Після завершення обробки парюю пароварка автоматично переходить у режим збереження тепла, і засвічується індикатор збереження тепла.

У режимі збереження тепла їжа зберігається теплою упродовж 20 хвилин.

- Якщо страву потрібно зберегти теплою довше, встановіть необхідний час збереження тепла за допомогою кнопок таймера зі стрілками вгору та вниз.
- Щоб вимкнути режим збереження тепла, натисніть кнопку початку/зупинення.

## Чищення та догляд

Ніколи не використовуйте для чищення пристрою жорстких губок, абразивних засобів чи рідин для чищення, таких як бензин чи ацетон.

- 1** Витягніть штепсель із розетки і дайте пристрою охолонути.
  - 2** Почистіть зовнішню частину платформи вологою ганчіркою.
- Ні в якому разі не занурюйте платформу у воду і не мийте її під краном.
- 3** Резервуар для води слід мити ганчіркою, змоченою в теплій воді з додаванням рідкого миючого засобу. Після цього його потрібно протерти чистою вологою тканиною.
  - 4** Мийте кришку вручну теплою водою з миючим засобом.

Не мийте кришку в посудомийній машині.

- 5 Вийміть знімні дена з кошиків для обробки парою. Вручну помийте кошики для обробки парою, знімні дена, пристосування для спецій, лоток для крапель і чашу для супу (лише HD9190) в теплій воді з миючим засобом. Ці деталі можна також мити в посудомийній машині, встановивши короткий цикл та низьку температуру.

Якщо кошики для обробки парою часто мити в посудомийній машині, вони можуть трохи потьмяніти.

### Видалення накипу

---

Коли у резервуарі для води з'являється накип, пристрій слід почистити. Для оптимальної роботи пароварки важливо регулярно очищати її від накипу.

- 1 Налийте в резервуар для води білого оцту (8% розчин оцтової кислоти) до позначки МАХ.

Не використовуйте іншого засобу видалення накипу.

- 2 Встановіть лоток для крапель і малий кошик для обробки парою (1) на платформу належним чином (Мал. 32).
- 3 Накрийте малий кошик для обробки парою кришкою (Мал. 33).
- 4 Вставте штепсель у розетку на стіні.
- 5 Щоб увімкнути панель керування, натисніть кнопку початку/зупинення.
- 6 Натисніть кнопку початку/зупинення і дайте пристрою попрацювати 20 хвилин (Мал. 17).

Якщо оцет закипів і розбризкує за межі платформи, від'єднайте пристрій від мережі та злийте трохи оцту.

- 7 Коли пристрій подає звукові сигнали, від'єднайте його від мережі та дайте оцту повністю охолонути. Потім спорожніть резервуар для води.
- 8 Сполосніть резервуар холодною водою кілька разів.

*Примітка: Якщо накип в резервуарі залишився, повторіть процедуру.*

### Зберігання

- 1 Перед тим як відкласти пристрій на зберігання, перевіряйте, чи всі деталі чисті та сухі (див. розділ "Чищення та догляд").
- 2 Відкладаючи пристрій на зберігання, намотайте шнур довкола барабана на платформі (Мал. 34).
- 3 Встановіть на платформу лоток для крапель (Мал. 35).
- 4 Перевірте, чи знімні дена встановлено на місце у кошиках для обробки парою належним чином.
- 5 Встановіть великий кошик для обробки парою (3) на лоток для крапель. Поставте середній кошик для обробки парою (2) у великий кошик для обробки парою (3). Потім поставте малий кошик для обробки парою (1) у середній кошик для обробки парою (2) (Мал. 36).
- 6 Лише HD9190: поставте чашу для супу в малий кошик для обробки парою (1).

**7** Встановіть кришку на чашу для супу (лише HD9190) чи малий кошик для обробки парюю (Мал. 37).

### Гарантія та обслуговування

Якщо Вам необхідна інформація чи обслуговування або ж виникла проблема, відвідайте веб-сайт компанії Philips [www.philips.com/support](http://www.philips.com/support) або зверніться до Центру обслуговування клієнтів компанії Philips у своїй країні. Номер телефону можна знайти у гарантійному талоні. Якщо у Вашій країні немає Центру обслуговування клієнтів, зверніться до місцевого дилера Philips.

### Навколишнє середовище

- Не викидайте пристрій разом із звичайними побутовими відходами, а здавайте його в офіційний пункт прийому для повторної переробки. Таким чином, Ви допомагаєте захистити довкілля (Мал. 38).

### Усунення несправностей

У цьому розділі зведено основні проблеми, які можуть виникнути під час використання пристрою. Якщо Ви не в змозі вирішити проблему за допомогою інформації, поданої нижче, зверніться до Центру обслуговування клієнтів у Вашій країні.

Проблема	Можлива причина	Вирішення
Пароварка не працює.	Пароварку не під'єднано до мережі.	Вставте штепсель у розетку на стіні.
	У резервуарі немає води.	Наповніть резервуар водою.
Їжа готова лише частково.	Кнопку початку/зупинення не було натиснуто.	Натисніть кнопку початку/зупинення.
	Деякі шматки продуктів більші та/або їх потрібно довше обробляти парюю, ніж інші шматки.	Натиснувши кнопку +, встановіть довший час обробки парюю.
		Великі шматки продуктів або продукти, які потрібно довше обробляти на парі, слід ставити в малий кошик для обробки парюю (1) і починати обробку за певний час до встановлення інших кошиків.
	У кошиках для обробки парюю надто багато продуктів.	Не кладіть у кошики для обробки парюю надто багато продуктів. Поріжте продукти на дрібні шматки, а найменші шматки покладіть зверху.
		Залиште між шматками продуктів вільне місце і рівномірно розкладіть їх на дно кошика.
Пристрій не нагрівається належним чином.	Накип не видалявся з пристрою регулярно.	Почистіть пристрій від накипу. Див. розділ "Чищення та догляд".

Проблема	Можлива причина	Вирішення
Під час обробки парою розбризкується вода з резервуара для води.	У резервуарі для води надто багато води.	Вилийте з резервуара для води зайву воду. Не наповнюйте резервуар для води вище позначки MAX.
Засвічується індикатор спорожнення резервуара для води, навіть якщо в резервуарі достатньо води.	На нагрівальному елементі надто багато накипу.	Видаліть із резервуара для води накип. Читайте підрозділ "Видалення накипу" у розділі "Чищення та догляд".
Функціональність пристосування для спецій обмежена чи немає жодного результату.	У пристосуванні для спецій недостатньо трав.	Покладіть у пристосування для спецій більше трав.
	Ви поклали невідповідні трави у пристосування для спецій.	Покладіть у пристосування для спецій трави із сильним ароматом. Дивіться таблицю обробки парою у розділі "Таблиця продуктів та поради щодо обробки парою".
	Ви споживали страву не відразу після приготування.	Споживайте страви відразу після приготування.
На воді в резервуарі для води чи лотку для крапель є піна.	Причиною появи піни може бути потрапляння у воду в резервуарі для води білків чи наявність залишків засобів для чищення у резервуарі.	Почистіть резервуар для води. Читайте розділ "Чищення та догляд".

### Таблиця продуктів і поради щодо обробки парою

- Рецепти див. у книзі рецептів або на сайті [www.philips.com/kitchen](http://www.philips.com/kitchen).
- Час обробки, вказаний у таблиці нижче, є лише орієнтовним. Тривалість обробки парою може відрізнятись залежно від розміру шматків продуктів, відстані між ними в кошику для обробки парою, кількості продуктів у кошику, їх свіжості та особистих уподобань.

## Таблиця обробки продуктів парою

Продукти для обробки парою	Кількість	Час обробки парою (хв.)	Рекомендовані трави/спеції для пристосування для спецій
Спаржа	500 г	15-20	Чебрець, базилік, лимон
Молода кукурудза	200 г	5-8	Зелений часник, чилі, паприка
Зелена квасоля	500 г	15-20	Петрушка, лимон, часник
Брокколі	400 г	20	Часник, мелений червоний чилі, полин острогін
Морква	500 г	20	Петрушка, суха гірчиця, зелений часник
Цвітна капуста	400 г	20	Розмарин, базилік, тархун
Селера (кубиками)	300 г	15-20	Кмин, білий перець, чилі
Куряча ніжка	1 шт.	25	Чорний перець, лимон, паприка
Кукурудзяний качан	500 г	30-40	Петрушка, часник зубцями, зелений часник
Молоді кабачки (нарізані скибками)	500 г	10	Кріп, шалфей, розмарин
Пшоняна каша	150 г + 250 мл води	10-15	Кмин, коріандр, гвоздика
Яйця	6 шт.	12-15	-
Фрукти	500 г/4 шт.	10-15	Кориця, лимон, гвоздика
Горox (заморожений)	400 г	20-25	Розмарин, кмин, петрушка
Картопля	400 г	25-30	Петрушка, зелений часник, часник зубцями
Креветки	200 г	5	Приправа карі, шафран, лимон
Пудинги	4 чаші	20	Кориця, гвоздика, ваніль
Рис	150 г + 300 мл води	35	Пандан, петрушка, кмин
	250 г + 500 мл води	35	Пандан, петрушка, кмин
Лосось	450 г	12-15 хв.	Кріп, петрушка, базилік
Біла риба	450 г	10-15	Суха гірчиця, гвоздика, майоран

**Час обробки парою попередньо встановлених режимів (Мал. 39)****Поради щодо обробки парою**

---

**Пристосування для спецій**

- У пристосування для спецій можна класти такі чудові трави і прянощі, як розмарин, чебрець, коріандр, базилік, кріп, карі та тархун. Можна також додати часнику, кмину або хрону для кращого смаку без додавання солі. Рекомендується від 1/2 до 3 чайних ложок сухих трав або спецій. Використовуйте більше трав або спецій, якщо вони свіжі.
- Пристосування для спецій є найефективнішим для їжі, приготованої у найнижчому кошику, який встановлюється безпосередньо на лоток для крапель.
- Більше порад щодо трав, спецій та рідин, які можна використовувати у пристосуванні для спецій, дивіться вище у таблиці обробки парою.
- Додавання незначної кількості олії до їжі покращує ефективність роботи пристосування для спецій, і їжа набуває кращого смаку.
- Для забезпечення найкращого результату поріжте трави на дрібні шматки та рівномірно викладіть їх у пристосування для спецій.
- Для забезпечення найкращого смаку рекомендується споживати їжу відразу після приготування.
- Не наливайте у пристосування для спецій рідин.

**Овочі та фрукти**

- Зріжте грубі качани з цвітної капусти, брокколи та звичайної капусти.
- Обробляйте парою зелені листові овочі якомога менший період часу, оскільки вони швидко втрачають колір.
- Перед обробкою парою не розморожуйте заморожених овочів.

**М'ясо, домашня птиця, морепродукти і яйця**

- Найкраще для обробки парою підходять ніжні шматки м'яса з незначними шматками жиру.
- Добре вимийте м'ясо і залиште, щоб з нього стекла вода, щоб запобігти стіканню великої кількості рідини.
- Для запобігання скапуванню соку кладіть м'ясо, птицю, рибу або яйця під інші продукти.
- Перед тим, як помістити яйця у пароварку, їх слід проколоти.
- Не можна обробляти парою заморожене м'ясо, домашню птицю або морепродукти. Перед обробкою парою заморожене м'ясо, птицю або морепродукти слід повністю розморозити.

**Солодкі десерти**

- Щоби підсолодити десерти, замість цукру додавайте до них трошки кориці.

**Загальні поради**

- Лише HD9190: Щоби приготувати рис, його слід покласти у чашу для супу та додати води. Кількості дивіться вище у таблиці обробки продуктів парою.
- Після приготування рису за допомогою кнопки приготування рису вимкніть пристрій, перемішайте рис і залиште його в чаші з кришкою на 5 хвилин. Це забезпечує кращий результат.
- Лише HD9190: Крім приготування супу, чашу для супу можна також використовувати для приготування овочів у соусі, маринованих продуктів, пудингу та рису і варіння риби.
- Залиште між шматками продуктів вільне місце і рівномірно розкладіть їх на дно кошика.
- Якщо кошик для обробки парою дуже повний, під час обробки продукти слід помішувати.
- Малі шматки продуктів обробляються парою швидше, ніж великі шматки.
- Якщо Ви використовуєте лише один кошик для обробки парою, обробка їжі парою в одному кошику триває менше часу, ніж у 2 або 3 кошиках.
- Якщо Ви використовуєте більше, ніж один кошик для обробки парою, тривалість готування слід продовжити на 5-10 хвилин.

- Їжа готується швидше в малому кошику для обробки парою (1), аніж у верхніх кошиках.
- Перш ніж споживати страву, перевірте її готовність. Це особливо важливо для такого м'яса, як свинина, фарш із яловичини та курятина.
- Під час обробки парою можна додавати продукти або доставляти кошики для обробки парою. Якщо певний продукт потрібно обробляти менший період часу, додайте його пізніше.
- Обробка їжі парою триває ще певний проміжок часу після переходу пароварки у режим збереження тепла. Якщо страва вже готова, вийміть її із пароварки після завершення циклу обробки, і пристрій перейде у режим збереження тепла.
- Якщо продукти ще не готові, встановіть довший час обробки парою. Можливо, в резервуар потрібно буде долити води.
- Лише HD9190: Пароварку можна використовувати для розігрівання вже готового супу. Налийте суп у чашу для супу та виберіть попередньо встановлений режим для риби. Нагрівання 250 мл супу триває близько 10 хвилин.





