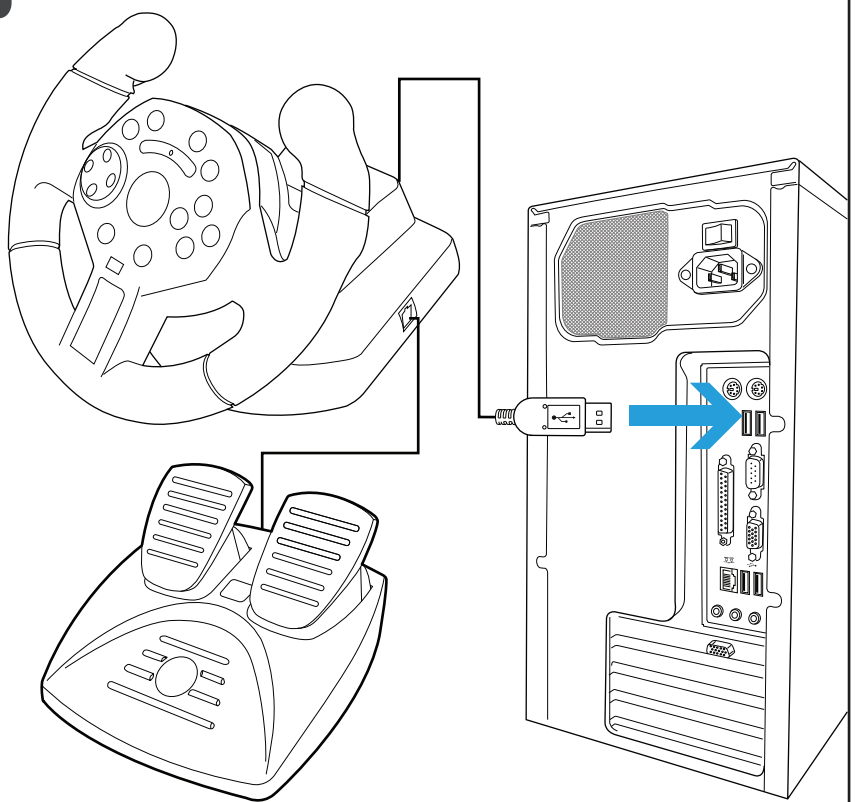
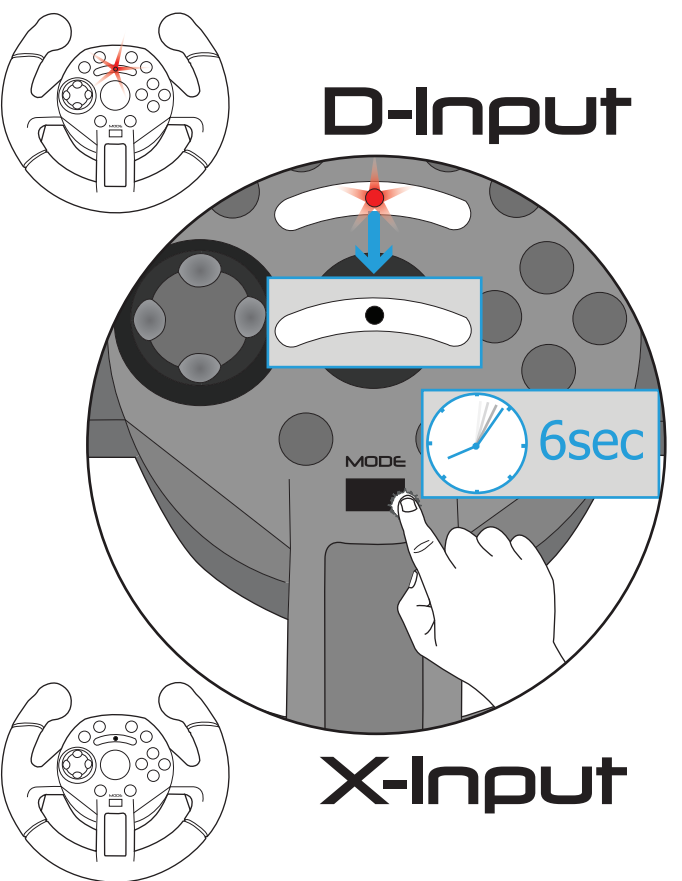


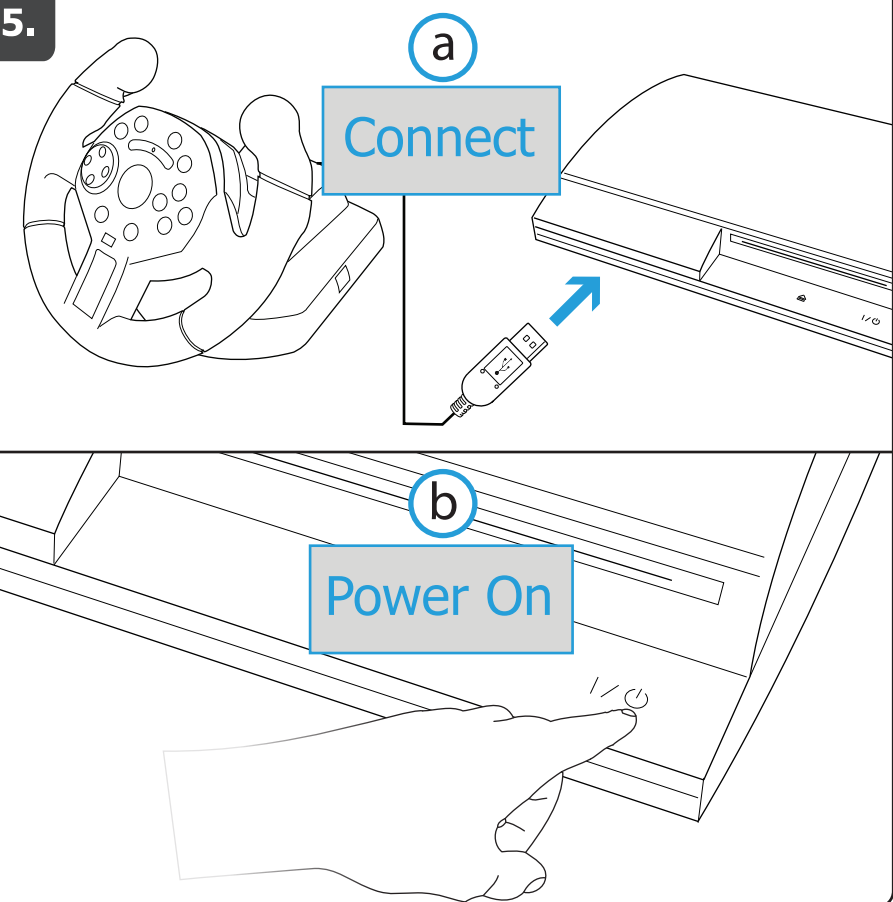
3.



4.



5.



Wheel key	D-Input	X-Input	PS3
Y	1	Y	△
B	2	B	○
A	3	A	×
X	4	X	□
L1	5	LT	L1
R1	6	RT	R1
L2	7	LB	L2
R2	8	RB	R2
SELECT	9	Back	SELECT
START	10	Start	START
L3	11	SL	L3
R3	12	SR	R3
D-PAD	View	D-PAD	D-PAD
Wheel Axis	X-axis	L-stick X	Wheel Axis
L-Pedal	Y-axis	LT	L-Pedal
R-Pedal	Y-axis	RT	R-Pedal
MENU	-	MENU	MENU



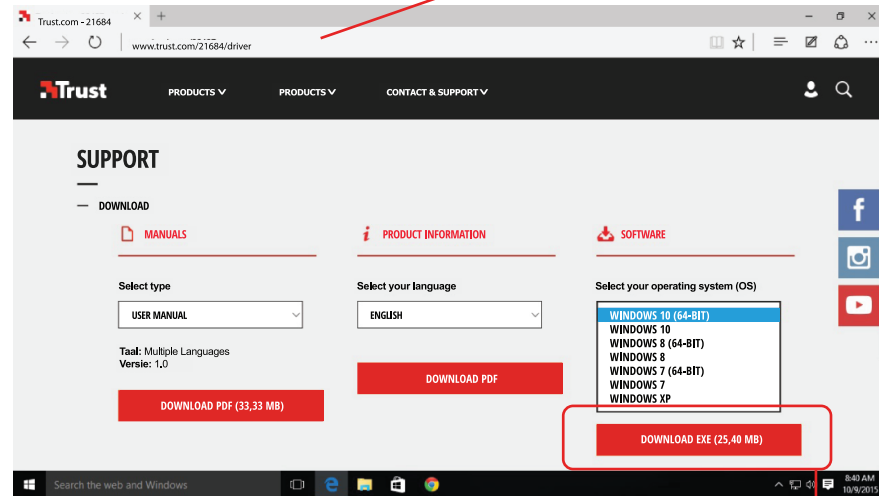
Compact
Racing Wheel
CXT 570

www.trust.com/21684/faq

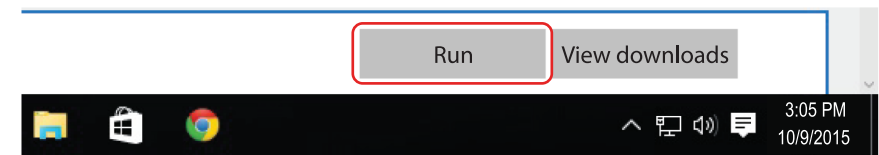


1.

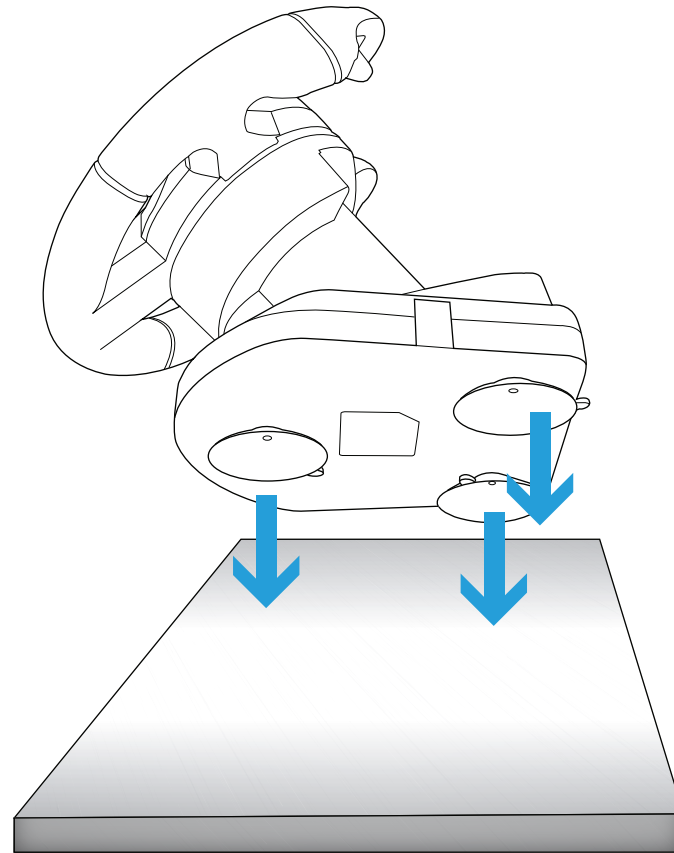
www.trust.com/21684/driver



Download Software



2.



* Smooth Surface