

**iSport**<sup>®</sup> **FREEDOM**  
HIGH PERFORMANCE WIRELESS SPORT AUDIO  
AUDIO SANS FIL HAUTE-PERFORMANCE POUR LE SPORT



# (EN) Important Monster® Performance and Safety Tips

## FCC ID: RJE190506

This device complies with Part 15 of FCC Rules. Operation is subject to the following two conditions: (1) This device may not cause harmful interference, and (2) This device must accept any interference received, including interference that may cause undesired operation. Changes or modification not expressly approved by the party responsible for Compliance could void the user's authority to operate the equipment. Connecting of peripherals requires the use of grounded shielded signal cables. The socket-outlet shall be installed near the equipment and shall be easily accessible.

**NOTE:** This equipment has been tested and found to comply with the limits for a Class B digital device, pursuant to Part 15 of the FCC Rules. These limits are designed to provide reasonable protection against harmful interference in a residential installation. This equipment generates, uses and can radiate radio frequency energy and, if not installed and used in accordance with the instructions, may cause harmful interference to radio communications. However, there is no guarantee that interference will not occur in a particular installation. If this equipment does cause harmful interference to radio or television reception, which can be determined by turning the equipment off and on, the user is encouraged to try to correct the interference by one or more of the following measures:

- Reorient or relocate the receiving antenna.
- Increase the separation between the equipment and receiver.
- Connect the equipment into an outlet on a circuit different from that to which the receiver is connected.
- Consult the dealer or an experienced radio/TV technician for help.

**CAUTION:** Changes or modifications not expressly approved by the party responsible for compliance could void the user's (or your) authority to operate the equipment. Avoid storage in extreme heat or cold. Avoid exposure to liquids, temperature extremes and high humidity. The product's working temperature range is 0–45°C (32–113°F).

This device complies with FCC/IC radiation exposure limits set forth for an uncontrolled environment.

## Canada Notice — IC ID: 7512A-190506

This Class B digital apparatus complies with Canadian ICES-003.

This device complies with RSS 210 of Industry Canada. Operation is subject to the following two conditions: (1) this device may not cause harmful interference and (2) this device must accept any interference received, including interference that may cause undesired operation.

### Canadian Class B Statement

This digital device does not exceed the Class B limits for radio noise emissions from digital apparatus as set out in the interference causing equipment standard entitled "Digital Apparatus," ICES-003 of the Department of Communications.

### CAN ICES-3 (B)/NMB-3(B)

#### Modification

Any changes or modifications not expressly approved by the grantee of this device could void the user's authority to operate the device.



## Europe—EU Declaration of Conformity

The equipment complies according to the Radio Equipment and Telecommunications Terminal Equipment Directive 1999/5/EC.

This equipment meets the following conformance standards:

<b>Safety</b>	EN 60950-1/A 12:2011
<b>Health</b>	EN 62479:2010
<b>EMC</b>	EN 301489-1 V1.9.2 EN 301489-17 V2.2.1 EN 55022: 2010 EN 55024: 2010
<b>Radio</b>	EN 300 328 V1.7.1



### Certification Model Number:

190506 (Green, Black, Yellow)

**Import:** Monster, LLC  
**Address:** 7251 West Lake Mead Blvd., Las Vegas, NV 89128

**Import:** Monster Technology International, Ltd.  
**Address:** Ballymaley Business Park, Gort Rd., Ennis, Co. Clare, Ireland

## Listen Responsibly

To avoid hearing damage, make sure that the volume on your music player is turned down before connecting your headphones. After placing headphones in / on your ears, gradually turn up the volume until you reach a comfortable listening level.

Noise levels are measured in decibels (dB), exposure to any noise at or above 85 dB can cause gradual hearing loss.

Monitor your use; hearing loss is a function of loudness versus time. The louder it is, the less time you can be exposed to it. The softer it is, the more time you can listen to it.

This decibel (dB) table compares some common sounds and shows how they rank in potential harm to hearing.

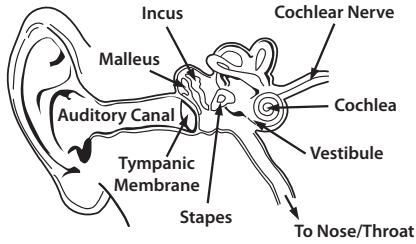
SOUND	NOISE LEVEL (dB)	EFFECT
Whisper	30	Very quiet
Quiet Office	50–60	Comfortable hearing levels are under 60 dB
Vacuum Cleaner, Hair Dryer	70	Intrusive; interferes with telephone conversations
Food Blender	85–90	85 dB is the level at which hearing damage (8 hrs.) begins
Garbage Truck, Cement Mixer	100	No more than 15 minutes of unprotected exposure recommended for sounds between 90–100 dB
Power Saw, Drill/Jackhammer	110	Regular exposure to sound over 100 dB of more than 1 minute risks permanent hearing loss
Rock Concerts (varies)	110–140	Threshold of pain begins around 125 dB

Chart information obtained from [www.nidcd.nih.gov/health/education/teachers/pages/common\\_sounds.aspx](http://www.nidcd.nih.gov/health/education/teachers/pages/common_sounds.aspx)

Get the most out of your equipment and enjoy great audio performance even at safe levels. Our headphones will allow you to hear more details at lower volume levels than ever before.

Learn how to establish a safe listening level and review other important safety guidelines from the Consumer Electronics Association at [www.ce.org](http://www.ce.org). Important information on how to prevent Noise-Induced Hearing Loss (NIHL) and a comprehensive list of which noises can cause damage can be found on the Deafness Research Foundation's website, [www.drf.org](http://www.drf.org).

## Physiology of the Ear and Hearing



For additional information on what loud noises do to your ear and chart reference [www.abelard.org/hear/hear.php#loud-music](http://www.abelard.org/hear/hear.php#loud-music)

### Use Responsibly

Do not use headphones when it's unsafe to do so—while operating a vehicle, riding a bike, crossing streets, or during any activity or in an environment where your full attention to your surroundings is required.

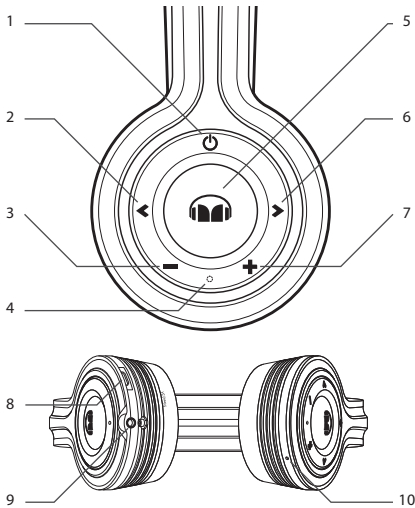
It's dangerous to drive while wearing headphones, and in many places, illegal because it decreases your chances of hearing life-saving sounds outside of your vehicle, such as another car's horn and emergency vehicle sirens.

Please avoid wearing your headphones while driving. Use one of Monster's FM transmitters to listen to your mobile media devices instead.

### Cleaning

Wipe earcups with a soft cloth dampened with a mild soap solution.

### Keys and Parts



The headset contains the following parts:

- |   |   |
|---|---|
| 1. Multifunction key<br>(Power On/Off, Pairing, Activate Voice Dialing) | 5. Play / Pause key<br>(Answer/End/Reject Call) |
| 2. Track back   | 6. Track forward                                |
| 3. Volume down  | 7. Volume up                                    |
| 4. Indicator light<br>(Only visible when lit)                           | 8. Charger connect                              |
|   | 9. 3.5mm cable port                             |
|   | 10. Microphone                                  |

Before using the headset, you must charge the battery and pair the headset with a compatible device. Freedom will function without a charged battery when attached by cable to phone or music player.

### Charge the Battery

The headphone includes a Micro USB cable that can be connected to your computer or other device made for USB charging. Plug the Micro USB end of the included USB cable into the USB micro port charger connector under the left earcup of the headphone. Plug the other end into a USB port on your computer or other devices made for USB charging. The indicator light will be red while charging. Once fully charged, the green LED will be on. Charge time is 1.5 hours on an empty battery. The fully charged battery has power for up to 10 hours talking and/or music time and up to 100 hours standby time.

**WARNING:** (1) Please pay attention to the environmental aspects of battery disposal. Battery must be recycled or disposed of properly. This product must not be disposed together with the domestic waste. This product has to be disposed at an authorized place for recycling of electrical and electronic appliances. By collecting and recycling waste, you help save natural resources, and make sure the product is disposed in an environmental friendly and healthy way. (2) Batteries (battery pack or batteries installed) should not be exposed to excessive heat, such as sunshine, fire, or the like. (3) DO NOT disassemble or replace the battery. If you suspect there is something wrong with the battery, please carry the unit to the service center for help.

### Switch On

To switch on, press and hold the multifunction key about two seconds. The headset beeps ascending tones, and the green indicator light is briefly displayed. When the headset tries to connect to the last used phone or music player, the red indicator light flashes slowly. When the headset is connected to a device and is ready for use, the blue indicator light flashes slowly. If the headset has not been paired with a device, it automatically enters the pairing mode.

### Switch Off

To switch off, press and hold the multifunction key for about three seconds. The headset beeps descending tones, and the red light is briefly displayed. If the headset is not connected to a device within 10 minutes, it switches off automatically.

### Pairing

1. Ensure that your phone or music player is switched on.
2. To pair the headset if it has not been previously paired with a device, switch on the headset. The headset enters the pairing mode, and the blue and red indicator light starts to flash quickly. To pair the headset if it has been previously paired with another device, ensure that the headset is switched off, and press and hold the multifunction key (for about five seconds) until the blue and red indicator light starts to flash quickly.
3. Activate the *Bluetooth*® feature on your phone or music player, and set it to search for *Bluetooth* devices.
4. Select "**Freedom**" from the list of found devices on your phone or music player.
5. If necessary, enter passcode **0000** to pair and connect the headset to your device.

### Adjust the Volume

To adjust the headset volume, press the volume up or down key during a call or while listening to music. To adjust the volume quickly, press and hold either key.

**WARNING:** Excessive sound pressure from earphones and headphones can cause hearing loss.

### Calls

To make a call, use your mobile phone in the normal way when the headset is connected to it.

To activate voice dialing (if your phone supports this feature with the headset), when no call is in progress, press the multifunction key twice quickly until the phone starts voice dialing, and process as described in the phone user guide.

To answer or end a call, quickly press the play / pause key. To reject a call, press and hold the play / pause key for approximately two seconds.

To switch a call (in progress) from the headset to the connected phone, press and hold the play / pause key for about two seconds.

To switch a call (in progress) from the phone to the headset, press and hold the play / pause key for about two seconds.

## Disconnect the Headphone

To disconnect the headset from your device, switch off the headset, or disconnect it in *Bluetooth* menu of your device.

## Reconnect the Headphone

To connect the headset to the phone or music player that you have last used with it, switch on the headset, or make the connection in the *Bluetooth* menu of your device.

## Listen to Music

To listen to music, connect the headset to compatible music player that supports A2DP *Bluetooth* profile. The available music functions depend on your music player.

If you receive or make a call while listening to music, the music is paused until the call ends.

To play a song, select in the music player and press the play / pause key on the iSport® Freedom headset. To pause or resume playing a song, press the play / pause key.

To select the next song during playback, press the track forward key quickly. To select the previous song, press the track back key (once or twice) quickly. To scroll through the current song quickly, press and hold either key.

## Clear Settings or Reset

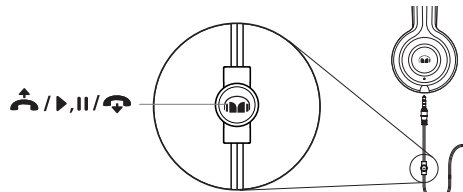
To clear the pairing settings from the headset, switch off the headset and press and hold the multifunction and volume down keys (for over eight seconds) until the red and blue indicator lights alternate three times.

To reset the headset, connect the headset to a charger and press both the multifunction and volume up keys.

## Passive Mode

You can use iSport® Freedom as a wired headphone to save batteries. Simply connect one end of the included ControlTalk Universal™ cable to the bottom of the earcup and the other to your MP3 player. Inserting an audio cable disables wireless functionality.

## Using ControlTalk Universal™



The ControlTalk Universal™ on-cable remote features a single control button and built-in mic, allowing you to switch easily between listening to music and talking on your phone hands-free.

To connect, plug the end of the iSport® Freedom headphone cable that is closest to the ControlTalk Universal™ into the bottom of the left or right earcup and the other end into the 1/8" (3.5mm) stereo socket on your music player.

**Answering a call:** When alerted of an incoming call, press and release the ControlTalk Universal™ control button to answer.

**Ending a call:** On most phones, press and release the control button. Some phones require you to press and hold the control button.

**To use call waiting:** Most (but not all) phones function as follows: When alerted of an incoming call while already on a call, press and release the control button to answer and put the first call on hold. Press and release the control button to swap back to the first call. Press and hold the control button to end your current call and swap back to the call on hold.

**Play or pause a song or video:** Press and release the center button. Repeat to resume.

Functionality will vary by device. For more information on functionality for your device, please visit [MonsterProducts.com/mp3/ctuniversalworks.asp](http://MonsterProducts.com/mp3/ctuniversalworks.asp)

## Headphones "Break-in"

Break in time for headphones? We're kidding, right? No we're not. Like any high performance product, whether it's cars or headphones, they're mechanical devices that settle in after use. Your new headphones will sound incredible out of the box, but will "mellow" out after use and sound even better. We recommend playing them for 8 hours. After 20 hours of playing, they should be fully broken in. Enjoy.

## LIMITED WARRANTY FOR CONSUMERS

Monster, LLC, 7251 West Lake Mead Blvd., Las Vegas, NV 89128, USA. [PLEASE NOTE THAT MONSTER DOES NOT ACCEPT PRODUCTS SHIPPED TO THIS ADDRESS—FOLLOW INSTRUCTIONS IN "HOW TO MAKE A CLAIM" BELOW] (415) 840-2000 ("Monster") extends You its Limited Warranty. Statutory or common law may provide You with additional rights or remedies, which shall not be affected by this Limited Warranty.

### DEFINITIONS

**"Adequate Use"** means personal use of the Product (i) for private (as opposed to commercial) purposes, (ii) in conformance with all applicable law, code or regulations (including without limitation building and/or electrical codes), (iii) in accordance with manufacturer recommendations and/or instructions in the materials and documentation that accompany the Product, and (iv) if applicable, with proper electrical grounding.

**"Authorized Dealer"** means any distributor, reseller or retailer that (i) was duly authorized to do business and permitted to sell You the Product under the laws of the jurisdiction where You bought the Product, (ii) purchased the Product directly from Monster or from a party with a contractual relationship with Monster and in accordance with the authorized terms and conditions of such agreement, and (iii) sold You the Product new and in its original packaging.

**"Formal Warranty Claim"** means a claim made in accordance with the section "Formal Warranty Claims" herein.

**"Product"** means a Product (i) that is listed in the Specifications Table below, (ii) that You bought from an Authorized Dealer new and in its original packaging, and (iii) whose serial number, if any, has not been removed, altered, or defaced.

**"Product Defect" or "Defective Product"** means an inadequacy of the Product that existed at the time when You received the Product from an Authorized Dealer and that causes a failure of the Product to perform in accordance with Monster's documentation accompanying the Product, unless such failure has been caused completely or partly by (a) any use other than Adequate Use, (b) transportation, neglect, misuse or abuse by anyone other than Monster's employees; (c) alteration, tampering or modification of the product by anyone other than a Monster employee; (d) accident (other than a malfunction that would otherwise qualify as a Product Defect); (e) maintenance or service of the Product by anyone other than a Monster employee; (f) exposure of the Product to heat, bright light, sun, liquids, sand or other contaminants; or (g) acts outside the control of Monster, including without limitation acts of God, fire, storms, earthquake or flood.

**"Warranty Period"** means the time period during which Monster must have received Your Formal Warranty Claim. The different Warranty Periods related to Product Defects are defined in the Specifications Table below. The Warranty Period commences on the date when You purchased or received (whichever occurs later) the Product from an Authorized Dealer as evidenced by the Authorized Dealer's invoice, sales receipt or packing slip. If You do not have written proof of the date of purchase or receipt, then the Warranty Period commences three (3) months after the date when the Product left Monster or its factory as evidenced by Monster's records. The Warranty Period ends at the time defined in the Specifications Table has expired or after You have transferred ownership of the Product, whichever occurs earlier. Also, You must call Monster and obtain a Return Authorization Number (as described under "How to Make a Claim") within two (2) months after You discover a Product Defect (or should have discovered it, if such Product Defect was obvious).

**"You"** means the first individual person that purchased the Product in its original packaging from an Authorized Dealer. This Limited Warranty does not apply to persons or entities that bought the Product (i) in used or unpackaged form, (ii) for resale, lease or other commercial use, or (iii) from someone other than an Authorized Dealer.

### SCOPE OF THIS LIMITED WARRANTY

**PRODUCTS.** If a Product contained a Product Defect when You bought it from an Authorized Dealer, and Monster receives a Formal Warranty Claim from You (i) within two (2) months after You discover such Product Defect (or should have discovered it, if such Product Defect was obvious) and (ii) before the end of the Warranty Period for Product Defects applicable to the Defective Product, then Monster will provide You with one of the following remedies: Monster will (1) repair or, at Monster's sole discretion, replace the Defective Product, or (2) refund to You the purchase price You paid to Monster or the Authorized Dealer for the Defective Product if repair or replacement is not commercially practicable or cannot be

timely made. NOTE: TO THE FULLEST EXTENT PERMITTED BY APPLICABLE LAW, MONSTER DOES NOT ASSUME ANY LIABILITY FOR ANY INCIDENTAL, CONSEQUENTIAL OR INDIRECT DAMAGES UNDER THIS LIMITED WARRANTY.

#### GENERAL PROVISIONS

**CHOICE OF LAW/JURISDICTION.** This Limited Warranty and any disputes arising out of or in connection with this Limited Warranty ("Disputes") shall be governed by the laws of the jurisdiction where You bought the Product.

**OTHER RIGHTS.** THIS LIMITED WARRANTY GIVES YOU SPECIFIC LEGAL RIGHTS, AND YOU MAY ALSO HAVE OTHER RIGHTS, WHICH VARY FROM JURISDICTION TO JURISDICTION, AND WHICH SHALL NOT BE AFFECTED BY THIS LIMITED WARRANTY.\* THIS WARRANTY EXTENDS ONLY TO YOU AND CANNOT BE TRANSFERRED OR ASSIGNED. If any provision of this Limited Warranty is unlawful, void or unenforceable, that provision shall be deemed severable and shall not affect any remaining provisions. In case of any inconsistency between the English and other versions of this Limited Warranty, the English version shall prevail.

**REGISTRATION.** Please register Your Product at [www.MonsterProducts.com](http://www.MonsterProducts.com). Failure to register will not diminish Your warranty rights.

#### SPECIFICATIONS TABLE

Product Model	Warranty Period for headphone
Product that accompanies this warranty statement	One (1) year for product sold in North America, South America and Asia Pacific Two (2) years for product sold in Europe

#### FORMAL WARRANTY CLAIM

**HOW TO MAKE A CLAIM.** In the event of a Product Defect, You must follow these instructions: (1) Call Monster within two (2) months after You discover a Product Defect (or should have discovered it, if such Product Defect was obvious); (2) Give a detailed explanation of how the damage occurred; (3) Obtain a Return Authorization Number; (4) Return the Product, shipping prepaid by You (to be refunded if You are entitled to a remedy under the Scope of this Limited Warranty), to Monster for verification of damage, along with a copy of Your **original sales receipt or proof of purchase** (invoice or packing slip) for such Product, the completed claim form, and printed Return Authorization Number on the outside of the return package (the claim form will include instructions for return).

**TELEPHONE NUMBERS.** If You bought the Product in the United States (1-877-800-8989), Latin America (Mexico 011-882-800-8989), or Asia Pacific (China 400-820-8973), contact Monster, Inc. via postal service at 455 Valley Drive, Brisbane, CA 94005 (PLEASE NOTE

**THAT MONSTER DOES NOT ACCEPT PRODUCTS SHIPPED TO THIS ADDRESS—FOLLOW INSTRUCTIONS IN "HOW TO MAKE A CLAIM" ABOVE).** If You bought the Product in Australia, contact Monster's agent, Convoxy International Pty Ltd (02-9700 0111), Unit 7, 1801 Botany Rd, Bankmeadow, NSW 2019 Australia. If You bought the Product anywhere else, contact Monster Cable International Ltd., Ballymaley Business Park, Gort Road, Ennis, Co. Clare, Ireland. You can use one of the following telephone numbers: Canada 866-348-4171, Ireland 353 65 68 69 354, Austria 0800296482, Belgium 0800-79201, Czech Republic 800-142471, Denmark 8088-2128, Finland 800-112768, France 0800-918201, Germany 0800-1819388, Greece 0800-353-12008, Italy 800-871-479, Netherlands 0800-0228919, Norway 800-10906, Russia 810-800-20051353, Spain 900-982-909, Sweden 020-792650, Switzerland 0800834659, United Kingdom 0800-0569520.

**FURTHER PROCEEDINGS.** Monster will determine whether a Product Defect existed. Monster may, at its discretion, direct You to obtain a repair estimate at a service center. If a repair estimate is required, You will be instructed on how to properly submit the estimate and the resulting invoice to Monster for payment. Any fees for repairs may be negotiated by Monster.

**TIMING.** If You bring a Formal Warranty Claim and fully comply with all terms and conditions of this Limited Warranty, Monster will use its best efforts to provide You with a remedy within thirty (30) days after receipt of Your Formal Warranty Claim (if You reside in the United States - forty-five (45) days if You reside elsewhere), unless obstacles outside Monster's control delay the process.

\* Our goods come with guarantees that cannot be excluded under the Australian Consumer Law. You are entitled to a replacement or refund for a major failure and compensation for any other reasonably foreseeable loss or damage. You are also entitled to have the goods repaired or replaced if the goods fail to be of acceptable quality and the failure does not amount to a major failure.

Ver.121912 - GLOBAL

©2014 Monster, LLC

## (FR) Quelques conseils importants de Monster® pour la performance et la sécurité

### FCC ID: RJE190506

Cet appareil est conforme à la réglementation de la FCC, Section 15.

Son utilisation doit répondre aux deux conditions suivantes : (1) Cet appareil ne doit pas émettre d'interférences préjudiciables et (2) Cet appareil doit accepter toute interférence reçue, y compris celles risquant d'entraîner un fonctionnement préjudiciable. Tout changement ou modification non expressément approuvée par la partie responsable de la conformité est susceptible d'entraîner l'annulation de l'autorisation d'utilisation de l'appareil pour l'utilisateur. La connexion de périphériques nécessite l'utilisation de câble isolés et mis à la terre. La prise d'alimentation doit être installée à proximité de l'équipement et rester facilement accessible.

**NOTE:** Cet appareil a été testé et déclaré conforme aux limites pour un appareil numérique de classe B, en application de la réglementation de la FCC, Section 15. Ces limites sont définies de manière à fournir une protection suffisante contre des interférences nuisibles dans une installation résidentielle. Cet appareil génère, utilise et peut produire de l'énergie radioélectrique et, en cas d'installation non conforme aux instructions, peut provoquer un brouillage préjudiciable aux radiocommunications. Rien ne peut cependant garantir qu'aucune interférence ne puisse se produire dans une installation particulière. Si cet appareil provoque un brouillage préjudiciable à la réception de la télévision ou de la radio, ce qui peut être vérifié en l'allumant et en l'éteignant, il est conseillé de corriger cette situation en appliquant une ou plusieurs des mesures suivantes :

- Réorienter ou repositionner l'antenne de réception.
- Augmenter la distance entre l'appareil et le récepteur concerné.
- Brancher l'appareil à une alimentation appartenant à un circuit différent de celui du récepteur concerné.
- Demander conseil au revendeur ou à un technicien spécialisé en radio/télévision.

**AVERTISSEMENT :** Toute modification non expressément approuvée par la partie responsable de la conformité est susceptible d'entraîner l'annulation de l'autorisation d'utilisation de l'appareil pour l'utilisateur (ou vous-même). Éviter de conserver au froid ou à une chaleur intense. Éviter d'exposer à des liquides, à des températures extrêmes et à une humidité élevée. Température de fonctionnement : 0–45°C (32–113°F).

Cet appareil est conforme aux limites d'exposition aux rayonnements FCC/ICID définies pour un environnement non contrôlé.

### Canada Notice — IC ID: 7512A-190506

Cet appareil numérique de la classe B est conforme à la norme NMB-003 du Canada.

Cet appareil est conforme aux normes RSS 210 d'Industrie Canada.

Son fonctionnement dépend des deux conditions suivantes : (1) l'appareil ne doit pas causer d'interférences nuisibles ; et (2) l'appareil doit accepter toute autre interférence reçue, y compris les interférences pouvant entraîner un fonctionnement non désiré.

#### Déclaration canadienne de Classe B

Cet appareil numérique respecte les limites de bruits radioélectriques applicables aux appareils numériques de Classe B prescrites dans la norme sur le matériel brouilleur. "Appareils Numériques", NMB-003 édictée par le ministre des Communications.

#### CAN ICES-3 (B)/NMB-3(B)

##### Modification

Toute modification non approuvée explicitement par le fournisseur de licence de l'appareil peut entraîner l'annulation du droit de l'utilisateur à utiliser l'appareil.



### Europe — Déclaration de Conformité UE

L'équipement est conforme à la directive 1999/5/CE concernant les équipements hertziens et les équipements terminaux de télécommunications.

L'équipement est conforme aux normes suivantes :

<b>Sécurité</b>	EN 60950-1/A 12:2011
<b>Santé</b>	EN 62479:2010
<b>CEM</b>	EN 301 489-1 V1.9.2 EN 301 489-17 V2.2.1 EN 55022:2010 EN 55024:2010
<b>Radio</b>	EN 300 328 V1.7.1



### Référence du modèle certifié :

190506 (Vert, Noir, Jaune)

**Importateur :** Monster, LLC

**Adresse :** 7251 West Lake Mead Blvd.,  
Las Vegas, NV 89128

**Importateur :** Monster Technology International, Ltd.

**Adresse :** Ballymaley Business Park,  
Gort Rd., Ennis, Co. Clare, Ireland

## Écoutez de manière responsable

Pour ne pas endommager votre capacité auditive, assurez-vous de bien baisser le volume de votre lecteur de musique avant de brancher vos écouteurs. Après avoir placé les écouteurs sur/dans vos oreilles, augmentez progressivement le volume jusqu'à un niveau d'écoute confortable.

Les niveaux sonores sont mesurés en décibels (dB). L'exposition à un niveau égal ou supérieur à 85 dB peut provoquer une perte progressive d'audition.

Gérez correctement l'utilisation de vos écouteurs. La perte d'audition est fonction de l'intensité sonore et de la durée d'exposition. Plus l'intensité est élevée, moins vous devez y rester exposé. Plus elle est modérée, plus vous pouvez écouter longtemps.

Le tableau des décibels (dB) ci-après compare quelques sources sonores habituelles et les classe en termes de risques auditifs.

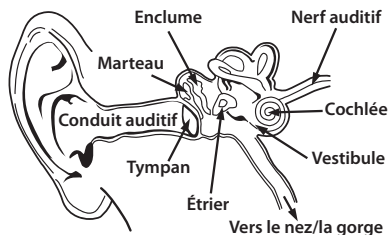
SON	NIVEAU SONORE (dB)	EFFET
Chuchotement	30	Très faible
Ambiance de bureau	50-60	Jusqu'à 60 dB, les niveaux d'écoute restent agréables
Aspirateur, sèche-cheveux	70	Niveau sonore intrusif ; interfère avec les conversations téléphoniques
Mixeur	85-90	85 dB est le niveau auquel la capacité auditive commence à se dégrader au-delà de 8 heures d'écoute
Camion à ordures, bétonnière	100	Il est recommandé de ne pas dépasser 15 mn d'exposition non protégée à des niveaux sonores compris entre 90 et 100 dB
Scie électrique, perceuse, marteau-piqueur	110	Une exposition régulière de plus d'1 minute à un niveau sonore supérieur à 100 dB peut provoquer une perte d'audition permanente
Concerts de rock (peut varier)	110-140	Le seuil douloureux intervient à partir de 125 dB

Cette charte peut être consultée sur le site [www.nidcd.nih.gov/health/education/teachers/pages/common\\_sounds.aspx](http://www.nidcd.nih.gov/health/education/teachers/pages/common_sounds.aspx)

Tirez le meilleur de votre équipement et profitez d'une performance sonore exceptionnelle, même à des niveaux respectant la sécurité. Nos écouteurs vous permettront de percevoir plus de détails que jamais, y compris à faible volume.

Apprenez à définir les niveaux d'une écoute sans danger et consultez d'autres consignes de sécurité importantes proposées par la Consumer Electronics Association sur le site [www.ce.org](http://www.ce.org). D'importantes informations sur la manière de prévenir la perte d'audition due au bruit, ainsi qu'une liste complète des sources sonores susceptibles de provoquer ce type de dommage, peuvent être consultées sur le site de la Deafness Research Foundation's website, [www.drff.org](http://www.drff.org).

## Physiologie de l'oreille et du système auditif



Pour plus d'information sur les risques auditifs liés à des sources sonores trop puissantes et sur la charte de référence, visitez le site [www.abelard.org/hear/hear.php#loud-music](http://www.abelard.org/hear/hear.php#loud-music)

## Utilisez vos écouteurs de manière responsable

N'utilisez pas vos écouteurs lorsqu'il est imprudent de le faire — quand vous conduisez, lorsque vous êtes à bicyclette ou que vous traversez une rue, durant une activité ou dans un environnement exigeant toute votre attention.

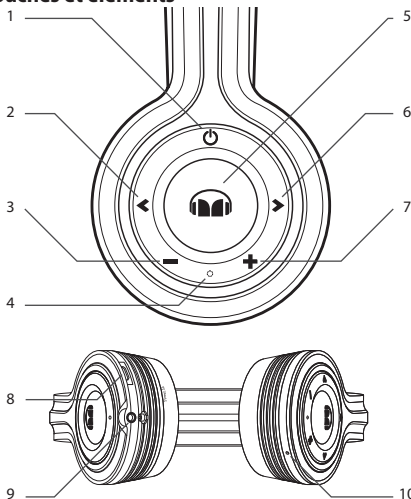
Il est dangereux de conduire tout en portant des écouteurs. Cela est même illégal en de nombreux endroits, dès lors que cela peut vous empêcher d'entendre des signaux sonores extérieurs qui peuvent vous sauver la vie comme, par exemple, l'avertisseur d'une autre voiture ou la sirène d'un véhicule d'urgence.

Veillez à ne pas porter vos écouteurs lorsque vous conduisez. Pour écouter vos lecteurs portables, utilisez plutôt l'un des récepteurs FM de Monster.

## Nettoyage

Nettoyez les écouteurs à l'aide d'un chiffon doux imbibé d'une solution légèrement savonneuse.

## Touches et éléments



Le casque comprend les éléments suivants :

1. Touche multifonction (Mise sous / hors tension, Appairage, Activation de la numérotation vocale)
2. Retour rapide
3. Volume -
4. Indicateur lumineux (visible uniquement lorsqu'il est allumé)
5. Touche Lecture / Pause (Répondre / Terminer / Rejeter l'appel)
6. Avance rapide
7. Volume +
8. Prise pour chargeur
9. Prise jack 3,5 mm
10. Micro

Avant d'utiliser le casque, rechargez la batterie et appearez le casque à un appareil compatible. Freedom fonctionne sans batterie rechargée lorsqu'il est relié par un câble à un téléphone ou à un lecteur audio.

## Chargement de la batterie

Le casque comprend un câble micro-USB qui peut être branché sur un ordinateur ou tout autre appareil prévu pour recharger un appareil à l'aide d'un câble USB. Branchez la prise micro-USB du câble USB fourni dans le port micro-USB de chargement situé sous l'écouteur gauche du casque. Branchez la prise située à l'autre extrémité du câble dans le port USB d'un ordinateur ou de tout autre appareil prévu pour recharger un appareil à l'aide d'un câble USB. L'indicateur lumineux est rouge pendant le chargement. Une fois le chargement terminé, l'indicateur lumineux est vert. La durée de chargement d'une batterie vide est de 1h30. La batterie entièrement chargée présente une autonomie maximale de 10 heures de conversation et / ou de musique et de 100 heures en veille.

**AVERTISSEMENT :** (1) Soyez attentif aux conséquences écologiques de l'élimination de la batterie. La batterie doit être correctement recyclée ou éliminée. Ce produit ne doit pas être éliminé avec les ordures ménagères. Ce produit doit être collecté par un organisme disposant d'une autorisation de recyclage des appareils électriques et électroniques. Grâce à la collecte et au recyclage des déchets, vous contribuez à préserver les ressources naturelles et veillez à l'élimination de ce produit d'une manière respectueuse de l'environnement et de la santé. (2) Les batteries (ensembles de piles ou batteries installées) ne doivent pas être exposées à une chaleur excessive, telle que le rayonnement solaire, le feu ou équivalent. (3) NE PAS démonter ou remplacer la batterie. Si vous estimez que la batterie est défectueuse, veuillez rapporter l'appareil au centre d'assistance.

## Mise sous tension

Pour mettre le casque sous tension, maintenez la touche multifonction enfoncée pendant environ 2 secondes. Le casque émet une série de signaux sonores de plus en plus aigus, puis l'indicateur lumineux s'allume brièvement en vert. Lorsque le casque essaye de se connecter au dernier téléphone ou lecteur audio utilisé, l'indicateur lumineux clignote lentement en rouge. Lorsque le casque est connecté à un appareil et prêt à être utilisé, l'indicateur lumineux clignote lentement en bleu. Si le casque n'est pas été appairé à un appareil, il entre automatiquement dans le mode appairage.

## Mise hors tension

Pour mettre le casque hors tension, maintenez la touche multifonction enfoncée pendant environ 3 secondes. Le casque émet une série de signaux sonores de plus en plus graves, puis l'indicateur lumineux s'allume brièvement en rouge. Si le casque n'est pas appairé à un appareil pendant 10 minutes, il se met automatiquement hors tension.

## Appairage

1. Assurez-vous que votre téléphone ou votre lecteur audio est sous tension.
2. Pour appairer le casque, s'il n'a pas été précédemment appairé à un appareil, mettez-le sous tension. Le casque entre dans le mode appairage et l'indicateur lumineux clignote rapidement en rouge et bleu. Pour appairer le casque, s'il a été précédemment appairé à un autre appareil, assurez-vous qu'il est hors tension puis maintenez la touche multifonction enfoncée (pendant environ 5 secondes) jusqu'à ce que l'indicateur lumineux clignote rapidement en rouge et bleu.
3. Activez la fonctionnalité *Bluetooth*® sur votre téléphone ou votre lecteur audio et utilisez-la pour rechercher des appareils *Bluetooth*.
4. Sélectionnez « **Freedom** » dans la liste des appareils trouvés par votre téléphone ou votre lecteur audio.
5. Si nécessaire, entrez le code **0000** pour appairer et connecter le casque à votre appareil.

## Réglage du volume

Pour régler le volume du casque, appuyez sur la touche Volume + ou Volume - pendant un appel ou en écoutant de la musique. Pour régler rapidement le volume, maintenez l'une de ces touches enfoncée.

**AVERTISSEMENT :** l'utilisation d'un casque ou d'écouteurs à un volume sonore excessif peut entraîner une perte auditive.

## Appels téléphoniques

Pour passer un appel téléphonique, utilisez normalement votre téléphone mobile lorsqu'il est connecté au casque.

Pour activer la numérotation vocale (si votre téléphone prend en charge cette fonction avec le casque), lorsqu'aucun appel téléphonique n'est en cours, appuyez rapidement deux fois sur la touche multifonction afin d'activer la numérotation vocale du téléphone puis procédez comme indiqué dans le manuel d'utilisation du téléphone.

Pour répondre ou terminer un appel, appuyez rapidement sur la touche Lecture / Pause. Pour rejeter un appel, maintenez la touche Lecture / Pause enfoncée pendant environ 2 secondes.

Pour transférer un appel téléphonique (en cours) du casque vers le téléphone connecté, maintenez la touche Lecture / Pause enfoncée pendant environ 2 secondes. Pour transférer un appel téléphonique (en cours) du téléphone vers le casque, maintenez la touche Lecture / Pause enfoncée pendant environ 2 secondes.

## Déconnexion du casque

Pour déconnecter le casque de votre appareil, mettez-le hors tension ou déconnectez-le depuis le menu *Bluetooth* de votre appareil.

## Reconnexion du casque

Pour connecter le casque au téléphone ou au lecteur audio avec lequel vous l'avez préalablement utilisé, mettez-le sous tension ou connectez-le depuis le menu *Bluetooth* de votre appareil.

## Écoute de musique

Pour écouter de la musique, connectez le casque à un lecteur audio compatible prenant en charge le profil *Bluetooth* A2DP. Les fonctionnalités audio disponibles dépendent de votre lecteur audio.

Si vous recevez ou passez un appel téléphonique pendant que vous écoutez de la musique, celle-ci est suspendue jusqu'à la fin de l'appel téléphonique.

Pour lire une chanson, sélectionnez-la dans votre lecteur audio et appuyez sur la touche Lecture / Pause du casque iSport® Freedom. Pour suspendre ou reprendre la lecture d'une chanson, appuyez sur la touche Lecture / Pause.

Pour sélectionner la chanson suivante en cours de lecture, appuyez rapidement sur la touche Avance rapide. Pour sélectionner la chanson précédente, appuyez rapidement (une fois ou deux) sur la touche Retour rapide. Pour parcourir rapidement la chanson en cours, maintenez l'une de ces deux touches enfoncée.

## Effacement des paramètres ou réinitialisation

Pour effacer les paramètres d'appairage du casque, mettez-le hors tension puis maintenez la touche multifonction et la touche Volume - enfoncées (pendant plus de 8 secondes), jusqu'à ce que l'indicateur lumineux clignote trois fois en rouge et bleu.

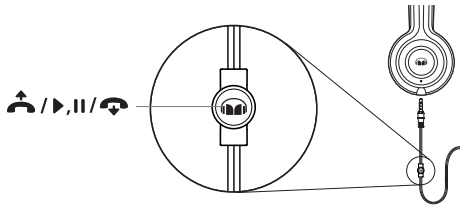
Pour réinitialiser le casque, branchez-le sur un chargeur puis appuyez simultanément sur la touche multifonction et la touche Volume +.

## Mode passif

Vous pouvez utiliser l'iSport® Freedom comme un casque filaire pour économiser sa batterie. Branchez simplement une prise du câble ControlTalk Universal™ fourni sous l'écouteur puis l'autre prise à votre lecteur MP3. Le branchement d'un câble audio désactive la fonction sans fil.



## Utiliser ControlTalk Universal™



La commande sur câble de ControlTalk Universal™ comporte un bouton unique de commande et un microphone intégré qui vous permettent de basculer facilement entre les modes lecture de musique et conversation téléphonique mains-libres.

Pour connecter votre casque iSport® Freedom, branchez l'extrémité du câble la plus proche de ControlTalk Universal™ sur la partie inférieure de l'écouteur gauche, et l'autre extrémité sur la prise stéréo 3,5 mm (1/8") de votre lecteur de musique.

**Répondre à un appel :** Lorsqu'un appel se présente, pressez brièvement le bouton de commande ControlTalk Universal™.

**Terminer un appel :** Sur la plupart des téléphones, pressez brièvement le bouton de commande. Sur certains téléphones, vous devez pressez et maintenir enfoncé le bouton.

**Mettre un appel en attente :** Sur la plupart de des téléphones (mais pas tous), procédez comme suit : Si vous êtes déjà en ligne et qu'un appel se présente, pressez brièvement le bouton de commande pour répondre et mettre en attente le premier appel. Pressez brièvement le bouton pour revenir au premier appel. Pressez et maintenez enfoncé le bouton de commande pour terminer l'appel en cours et reprendre l'appel en attente.

**Lire ou mettre sur pause un morceau de musique ou une vidéo :** Pressez une fois de bouton central. Répétez pour reprendre la lecture.

Certaines fonctionnalités peuvent varier selon le modèle d'appareil. Pour plus d'information sur les fonctionnalités de votre appareil, veuillez visiter le site [MonsterProducts.com/mp3/ctuniversalworks.asp](http://MonsterProducts.com/mp3/ctuniversalworks.asp)

## Rodage des casques

Un temps de rodage pour les casques ? C'est une plaisanterie, n'est-ce pas ? Non, ce n'en est pas une. Comme tout produit de haute performance, qu'il s'agisse de voitures ou de casques, ce sont des appareils mécaniques qui se perfectionnent après utilisation. Le son de votre nouveau casque sera d'excellente qualité dès la sortie de l'emballage, mais il s'« adoucira » après utilisation et sera encore meilleur. Nous vous recommandons d'utiliser votre casque pendant 8 heures. Après 20 heures d'utilisation, il devrait être complètement rodé. Profitez !

## GARANTIE LIMITÉE POUR LE CONSOMMATEUR

Monster, LLC, 7251 West Lake Mead Blvd., Las Vegas, NV 89128, ETATS-UNIS. [VEUILLEZ NOTER QUE MONSTER N'ACCEPTE AUCUN PRODUIT EXPÉDIÉ À LA PRÉSENTE ADRESSE — VEUILLEZ SUIVRE LES INSTRUCTIONS MENTIONNÉES DANS LA SECTION « COMMENT EFFECTUER UNE RÉCLAMATION - CI-DESSOUS »] (415) 840-2000 (r Monster) Vous accordez la présente Garantie Limitée. La législation ou le droit commun peut Vous accorder des droits ou des recours supplémentaires qui ne sont pas affectés par la présente Garantie Limitée.

### DÉFINITIONS

« **Utilisation Adéquante** » désigne une utilisation personnelle du Produit (i) dans le cadre privé (par opposition au cadre commercial); (ii) dans le respect des lois, codes ou réglementations applicables (y compris, mais de façon non limitative, les codes des secteurs de l'immobilier et / ou de l'électricité); (iii) conformément aux recommandations et / ou instructions du fabricant mentionnées dans les produits et documents qui accompagnent le Produit; et (iv) le cas échéant, avec une installation équipée d'une prise de terre adaptée.

« **Revendeur Agréé** » désigne tout distributeur, revendeur ou détaillant qui (i) a été dûment autorisé à faire commerce et à Vous vendre le Produit en vertu des lois en vigueur dans la juridiction où Vous avez acheté le Produit; (ii) a acheté le Produit directement auprès de Monster ou d'une partie liée à Monster par une relation contractuelle, conformément aux conditions générales d'un tel accord; et (iii) Vous a vendu le Produit en état neuf et dans son emballage d'origine.

« **Réclamation Formelle sous Garantie** » désigne une réclamation effectuée conformément à la section « Réclamations Formelles sous Garantie » mentionnée aux présentes.

« **Produit** » désigne un Produit (i) qui est mentionné dans le Tableau des Spécifications ci-dessous; (ii) que Vous avez acheté en état neuf et dans son emballage d'origine auprès d'un Revendeur Agréé; et (iii) dont le numéro de série, le cas échéant, n'a pas été effacé, altéré ou modifié.

« **Défaut du Produit** » ou « **Produit Défectueux** » désigne une inadéquation du Produit qui existait au moment où Vous avez réceptionné le Produit auprès d'un Revendeur Agréé et qui entraîne une incapacité du Produit à fonctionner conformément à la documentation de Monster qui l'accompagne, à moins qu'une telle incapacité n'ait été causée en totalité ou en partie par (a) une utilisation autre que l'Utilisation Adéquante; (b) un transport, une négligence, une utilisation incorrecte ou un abus relevant de la responsabilité de toute personne étrangère à Monster; (c) une altération, une contrefaçon ou une modification du Produit par toute personne étrangère à Monster; (d) un accident (autre qu'un dysfonctionnement qui serait autrement considéré comme un Défaut du Produit); (e) un entretien ou une opération de maintenance du Produit par toute personne étrangère à Monster; (f) une exposition du Produit à la chaleur, à la lumière vive, au rayonnement solaire, aux liquides, au sable ou à tout autre contaminant; ou (g) des événements hors du contrôle de Monster, y compris, mais de façon non limitative, les cas de force majeure, les incendies, les tempêtes, les séismes et les inondations.

« **Période de Garantie** » désigne la période de temps au cours de laquelle Monster doit avoir reçu Votre Réclamation Formelle sous Garantie. Les différentes Périodes de Garantie liées aux Défauts du Produit sont définies dans le Tableau des Spécifications ci-dessous. La Période de Garantie commence à la date à laquelle Vous avez acheté ou réceptionné (la date la plus tardive) l'Produit auprès d'un Revendeur Agréé, comme en témoignent la facture, le ticket de caisse ou le bordereau d'expédition dit Revendeur Agréé. Si Vous ne détenez pas de preuve écrite de la date d'achat ou de réception, la Période de Garantie commence trois (3) mois après la date à laquelle le produit a quitté les locaux ou l'usine de Monster, conformément aux indications mentionnées dans les enregistrements de Monster. La Période de Garantie expire à l'issue de la durée définie dans le Tableau des Spécifications ou lorsque Vous transférez la propriété du Produit, selon l'événement survenant en premier. En outre, Vous devez appeler Monster et obtenir un Numéro d'Autorisation de Retour (tel que décrit à la section « Comment effectuer une réclamation ») dans les deux (2) mois suivant la date à laquelle Vous avez constaté un Défaut du Produit (ou auriez dû le constater, si un tel Défaut du Produit était évident).

« **Vous** » désigne la première personne individuelle ayant acheté le Produit dans son emballage d'origine auprès d'un Revendeur Agréé. La présente Garantie Limitée ne s'applique pas aux personnes ou entités ayant acheté le Produit (i) en état d'usage commercial; ou (ii) à des fins de revente ou de location, ou pour tout autre usage commercial; ou (iii) auprès d'une personne autre qu'un Revendeur Agréé.

### CHAMP D'APPLICATION DE LA PRÉSENTE GARANTIE LIMITÉE

**PRODUITS.** Si un Produit est affecté d'un Défaut du Produit alors que Vous l'avez acheté chez un Revendeur Agréé et que Monster reçoit une Réclamation Formelle sous Garantie effectuée par Vous (i) dans les deux (2) mois suivant la date à laquelle Vous avez constaté un tel Défaut du Produit (ou auriez dû le constater, si un tel Défaut du Produit était évident); et (ii) avant l'expiration de la Période de Garantie pour les Défauts du Produit applicable au Produit Défectueux, Monster Vous fournira l'un des recours suivants: (i) Monster (1) réparera ou, à sa seule discrétion, remplacera le Produit Défectueux; ou (2) Vous remboursera le prix d'achat que Vous avez payé à Monster ou au Revendeur Agréé pour le Produit Défectueux, si la réparation ou le remplacement de celui-ci n'est pas commercialement réalisable ou ne peut être effectuée rapidement. REMARQUE: DANS LES LIMITES AUTORISÉES PAR LA LOI APPLICABLE, MONSTER N'ASSUME AUCUNE RESPONSABILITÉ POUR TOUT DOMMAGE INCIDENT, CONSÉCUTIF OU INDIRECT DANS LE CADRE DE LA PRÉSENTE GARANTIE LIMITÉE.

### DISPOSITIONS GÉNÉRALES

**CHOIX DE LA LOI / JURIDICTION.** La présente Garantie Limitée et tout litige en découlant ou en relation avec celle-ci (« Litige ») sont réglés par les lois de la juridiction où Vous avez acheté le Produit.

**AUTRES DROITS.** LA PRÉSENTE GARANTIE LIMITÉE VOUS ACCORDE DES DROITS SPÉCIFIQUES, ET VOUS POUVEZ AUSSI DISPOSER D'AUTRES DROITS, QUI PEUVENT VARIER SELON LES JURIDICTIONS ET QUI NE PEUVENT ÊTRE AFFECTÉS PAR LA PRÉSENTE GARANTIE LIMITÉE. LA PRÉSENTE GARANTIE NE S'APPLIQUE QU'À VOUS ET NE PEUT ÊTRE NI TRANSFÉRÉE NI CÉDÉE. Si une disposition quelconque de la présente Garantie Limitée est illégale, nulle ou non exécutable, elle sera révisée, divisée et n'affectera pas les autres dispositions. En cas de divergence entre la version anglaise et toute autre version linguistique de la présente Garantie Limitée, la version anglaise prévaut.

**ENREGISTREMENT.** Veuillez enregistrer Votre Produit sur le site [www.MonsterProducts.com](http://www.MonsterProducts.com). Tout défaut d'enregistrement n'affectera pas Vos droits à garantie.

### TABLEAU DES SPÉCIFICATIONS

Modèle de Produit	Période de Garantie du Produit
Produit qui accompagne la présente déclaration de garantie.	Un (1) an pour les produits vendus en Amérique du Nord, en Amérique du Sud et en Asie-Pacifique. Deux (2) ans sur les produits vendus en Europe

### RÉCLAMATION FORMELLE SOUS GARANTIE

**COMMENT EFFECTUER UNE RÉCLAMATION.** En cas de constat d'un Défaut du Produit, Vous devez suivre ces instructions: (1) Appelez Monster dans les deux (2) mois suivant la date à laquelle Vous avez constaté un tel Défaut du Produit (ou auriez dû le constater, si un tel Défaut du Produit était évident); (2) Fournissez une explication détaillée de la manière dont le dommage s'est produit; (3) Obtenez un Numéro d'Autorisation de Retour (4) Retournez le Produit, en port prépayé (qui Vous sera remboursé si Vous avez droit à un recours en vertu du champ d'application de la présente Garantie Limitée), à Monster pour vérification du dommage, accompagné d'une copie de l'**Original de Votre ticket de caisse ou preuve d'achat** (facturé ou emballage) concernant ledit Produit, du formulaire de réclamation dûment rempli et du Numéro d'Autorisation de Retour imprimé à l'extérieur du colis de retour (le formulaire de réclamation contient des instructions pour le retour).

**NUMÉROS DE TÉLÉPHONE.** Si Vous avez acheté le Produit aux États-Unis (1-877-800-8989), au Mexique (Mexique) 011-882-909-0899 ou dans la région Asie-Pacifique (Chine, 400-820-8973), contactez Monster, LLC par voie postale, à l'adresse: 455 Valley Drive, Brisbane, CA 94005 [VEUILLEZ NOTER QUE MONSTER N'ACCEPTE AUCUN PRODUIT EXPÉDIÉ À LA PRÉSENTE ADRESSE — VEUILLEZ SUIVRE LES INSTRUCTIONS MENTIONNÉES DANS LA SECTION « COMMENT EFFECTUER UNE RÉCLAMATION - CI-DESSUS ]. Si Vous avez acheté le Produit en Australie, contactez le représentant de Monster: Convoy International Pty Ltd (02 9700 0111), Unit 7, 1801 Botany Rd, Banksmeadow, NSW 2019 Australie. Si Vous avez acheté le Produit dans une autre région du monde, contactez Monster Technology International Ltd., Ballymally Business Park, Gort Road, Ennis, Co. Clare,



Irlande. Vous pouvez utiliser l'un des numéros de téléphone suivants : Canada 866-348-4171, Irlande 353 65 68 69 354, Autriche 0800296482, Belgique 0800-79201, République tchèque 800-142471, Danemark 8088-2128, Finlande 800-112768, France 0800-918201, Allemagne 800-1819388, Grèce 0800-353-12008, Italie 800-871-479, Pays-Bas 0800-0228919, Norvège 800-10906, Russie 810-800-2005 1353, Espagne 900-982-909, Suède 020-792650, Suisse 0800834659, Royaume-Uni 0800-0569520.

**AUTRES PROCÉDURES.** Monster déterminera la réalité d'un Défaut du Produit. Monster peut, à sa seule discrétion, Vous orienter vers un centre d'assistance afin d'obtenir un devis de réparation. Si un devis de réparation est nécessaire, Vous serez informé de la façon de transmettre ce devis ainsi que la facture correspondante à Monster pour paiement. Tous les frais de réparation peuvent être négociés par Monster.

**CALENDRIER.** Si Vous fournissez une Réclamation Formelle sous Garantie et respectez toutes les conditions d'utilisation de la présente Garantie Limitée, Monster mettra en œuvre tous les moyens à sa disposition pour Vous fournir un recours dans les trente (30) jours suivant la réception de Votre Réclamation Formelle sous Garantie (durée applicable si Vous résidez aux États-Unis — quarante-cinq (45) jours si Vous résidez dans une autre région du monde), à moins que des obstacles hors du contrôle de Monster retardent le processus.

\* Nos articles sont livrés avec des garanties qui ne peuvent être exclues en vertu de la Loi australienne de protection des consommateurs. Vous avez droit à remplacement ou à remboursement en cas de dysfonctionnement majeur, et à indemnisation pour tout autre perte ou dommage raisonnablement prévisible. Vous disposez également du droit à réparation ou à remplacement des articles, si la qualité desdits articles est inacceptable et que le dysfonctionnement n'est pas considéré comme majeur.

Ver. 121912 — MONDIAL

©2003–2014 Monster, LLC

## (DE) Wichtige Tipps von Monster® zu Leistung und Sicherheit

### FCC ID: RJE19056

Dieses Gerät erfüllt Teil 15 der FCC-Regeln. Der Betrieb unterliegt den folgenden zwei Bedingungen: (1) Dieses Gerät darf keine schädlichen Störungen verursachen, und (2) dieses Gerät muss jeder Störung, der es ausgesetzt ist, standhalten, einschließlich Störungen, die einen unerwünschten Betrieb verursachen. Änderungen oder Modifikationen, die nicht ausdrücklich von der für die Compliance verantwortlichen Partei zugelassen wurden, könnten die Erlaubnis des Benutzers, das Gerät zu betreiben, ungültig machen. Das Anschließen von Peripheriegeräten erfordert den Einsatz von geerdeten abgeschirmten Signalkabeln. Die Ausgangsbuchse wird in der Nähe des Geräts installiert und muss einfach zugänglich sein.

**HINWEIS:** Dieses Gerät wurde getestet und es wurde erachtet, dass es die Grenzwerte für ein digitales Gerät der Klasse B erfüllt, gemäß Teil 15 der FCC-Regeln. Diese Grenzwerte wurden entworfen, um einen vernünftigen Schutz gegen schädliche Störungen in einer Wohnumgebung zu bieten. Dieses Gerät erzeugt, verwendet und kann Hochfrequenzenergie abstrahlen und, wenn es nicht in Übereinstimmung mit den Anweisungen installiert wird, kann für Funkkommunikation schädliche Störungen verursachen. Allerdings gibt es keine Garantie, dass die Störungen nicht bei einer spezifischen Installation auftreten werden. Wenn dieses Gerät schädliche Störungen beim Empfang von Funk- oder Fernsehsignalen verursacht, was durch Ein- und Ausschalten des Geräts festgestellt werden kann, wird dem Benutzer empfohlen, die Störung durch eine oder mehrere der folgenden Maßnahmen zu beheben:

- Neuausrichtung oder Neupositionierung der Empfangsantenne.
- Erhöhen des Abstands zwischen dem Gerät und dem Empfänger.
- Anschluss des Geräts an einem anderen Ausgang eines Schaltkreises, an dem der Empfänger angeschlossen ist.
- Fragen Sie Ihren Händler um Hilfe oder einen erfahrenen /Funk-/Fernsehtechniker.

**VORSICHT:** Änderungen oder Modifikationen, die nicht ausdrücklich von der für die Compliance verantwortlichen Partei zugelassen wurden, könnten die Erlaubnis des Benutzers (oder Ihre) das Gerät zu betreiben, ungültig machen. Vermeiden Sie die Lagerung in extremer Hitze oder Kälte. Vermeiden Sie das Gerät Flüssigkeiten, extremen Temperaturen und hoher Feuchtigkeit auszusetzen. Die Betriebstemperatur des Geräts liegt zwischen 0–45°C (32–113°F).

Dieses Gerät hält die FCC-/IC-Strahlungsaussetzungsgrenzwerte ein, die für unbestimmte Umgebungen festgelegt wurden.

## Hinweis für Kanada — IC ID: 7512A-190506

Dieses Digitalgerät der Klasse B erfüllt die Vorgaben der kanadischen ICES-003.

Dieses Gerät erfüllt die RSS 210-Vorgaben der Industry Canada. Der Betrieb unterliegt den folgenden beiden Bedingungen: (1) dieses Gerät darf keine Störungen verursachen, und (2) dieses Gerät muss jegliche Störungen aushalten, einschließlich Störungen, die einen unerwünschten Betrieb des Geräts verursachen.

### Hinweis für Kanada, Klasse B

Dieses Digitalgerät hält die Klasse-B-Grenzwerte hinsichtlich Funkemissionen von Digitalgeräten gemäß „Digital Apparatus“, ICES-003 des „Department of Communications“ ein.

### CAN ICES-3 (B)/NMB-3(B)

### Veränderungen

Jegliche Änderungen oder Modifikationen, die nicht ausdrücklich von der für die Einhaltung von Vorgaben verantwortlichen Stelle zugelassen sind, können die Berechtigung des Anwenders zum Betrieb des Gerätes erlöschen lassen.



## Europa – EU-Konformitätserklärung

Diese Ausrüstung entspricht den Vorgaben der Richtlinie 1999/5/EG über Funkanlagen und Telekommunikationsendeinrichtungen.

Diese Ausrüstung erfüllt die folgenden Konformitätsvorgaben:

<b>Sicherheit</b>	EN 60950-1/A 12:2011
<b>Gesundheit</b>	EN 62479:2010
<b>EMV</b>	EN 301489-1 V1.9.2 EN 301489-17 V2.2.1 EN 55022:2010 EN 55024:2010
<b>Funk</b>	EN 300 328 V1.7.1



**Zertifizierungs-Modellnummer:**  
190506 (grün, schwarz, gelb)

**Adresse importieren:** Monster, LLC  
7251 West Lake Mead Blvd.,  
Las Vegas, NV 89128

**Adresse importieren:** Monster Technology International, Ltd.  
Ballymaley Business Park,  
Gort Rd., Ennis, Co. Clare, Ireland

## Nutzen Sie Ihren Kopfhörer verantwortungsbewusst

Um Hörschäden zu vermeiden, achten Sie darauf, die Lautstärke Ihres Players niedrig einzustellen, bevor Sie Ihren Kopfhörer anschließen. Nachdem Sie den Kopfhörer aufgesetzt haben, sollten Sie die Lautstärke langsam erhöhen, bis Sie eine angenehme Lautstärke zum Musikhören erreicht haben.

Geräuschstärken werden in Dezibel (dB) gemessen. Wenn man beliebigen Geräuschen mit einer Lautstärke von 85 dB ausgesetzt ist, kann dies zum schrittweisen Verlust des Gehörs führen.

Achten Sie darauf, wie Sie Ihre Kopfhörer nutzen: Der Verlust des Gehörs unterliegt einer Formel aus Lautstärke und Zeit. Je höher die Lautstärke ist, desto weniger Zeit können Sie sich dieser Lautstärke aussetzen. Je geringer die Lautstärke ist, desto länger können Sie Geräusche bei dieser Lautstärke hören.

Diese Dezibeltable (dB) vergleicht einige alltägliche Geräusche und ihre Rangfolge bei möglichen Hörschäden.

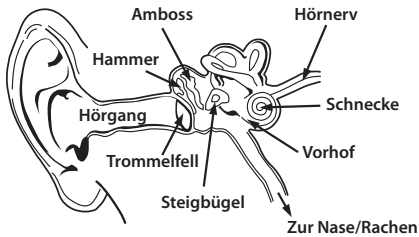
GERÄUSCH	STÄRKE DES GERÄUSCHS (dB)	WIRKUNG
Flüstern	30	Sehr leise
Ruhiges Büro	50–60	Angenehme Hörlautstärke unter 60 dB
Staubsauger, Fön	70	Störend, beeinträchtigt Telefongespräche
Mixer	85–90	85 dB ist die Stufe, bei der Hörschäden (8 Std.) beginnen
Müllwagen, Zementmischer	100	Maximal 15 Minuten ungeschützte Aussetzung empfohlen für Geräusche zwischen 90 und 100 dB
Motorsäge, Bohrer/ Presslufthammer	110	Regelmäßige Aussetzung bei Geräuschen über 100 dB für mehr als 1 Minute bedeutet das Risiko des dauerhaften Verlusts der Hörfähigkeit
Rockkonzerte (unterschiedlich)	110–140	Die Schmerzgrenze beginnt bei etwa 125 dB

Die Informationen in der Tabelle stammen von [www.nidcd.nih.gov/health/education/teachers/pages/common\\_sounds.aspx](http://www.nidcd.nih.gov/health/education/teachers/pages/common_sounds.aspx)

Holen Sie das Beste aus Ihren Geräten heraus und genießen Sie eine großartige Audioleistung auch bei sicherer Lautstärke. Unsere Kopfhörer ermöglichen es Ihnen, bei geringerer Lautstärke mehr Details zu hören als je zuvor.

Erfahren Sie, wie Sie eine sichere Lautstärke finden, und lesen Sie andere wichtige Sicherheitsrichtlinien der Consumer Electronics Association auf [www.ce.org](http://www.ce.org). Wichtige Informationen zum Vermeiden von Noise-Induced Hearing Loss (NIHL, durch Lärm verursachte Hörschäden) und eine umfassende Liste der Geräusche, die Schäden verursachen können, finden Sie auf der Website von Deafness Research Foundation, [www.drfof.org](http://www.drfof.org).

## Physiologie des Ohrs und des Gehörs



Für zusätzliche Informationen darüber, was laute Geräusche in Ihrem Ohr verursachen und mehr zum Ohrschutz, Quelle [www.abelard.org/hear/hear.php#loud-music](http://www.abelard.org/hear/hear.php#loud-music)

## Verantwortungsbewusste Nutzung

Nutzen Sie den Kopfhörer nicht in Situationen, in denen es unsicher ist: Beim Autofahren, beim Radfahren, beim Überqueren von Straßen oder bei anderen Aktivitäten bzw. in Situationen, in denen Sie Ihre gesamte Aufmerksamkeit für Ihre Umgebung benötigen.

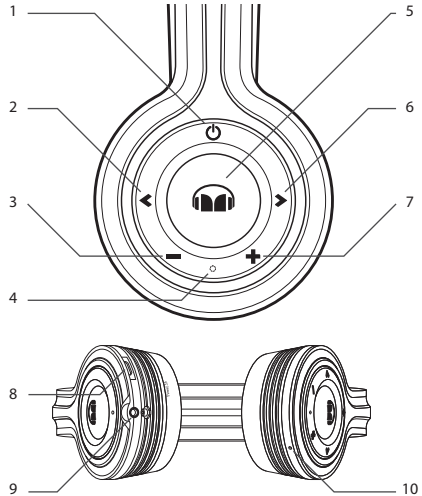
Es ist gefährlich, mit Kopfhörern zu fahren, und in vielen Ländern ist es verboten, da es Ihre Chancen verringert, lebensrettende Signale außerhalb Ihres Autos zu hören, z. B. die Hupen anderer Autos und die Sirenen von Rettungs- bzw. Feuerwehrfahrzeugen.

Bitte tragen Sie Ihren Kopfhörer nicht beim Fahren. Nutzen Sie stattdessen einen der FM-Transmitter von Monster, um über Ihre Mobilgeräte Musik zu hören.

## Reinigen

Wischen Sie die Ohrmuscheln mit einem weichen, mit etwas Seifenlauge angefeuchteten Tuch ab.

## Tasten und Komponenten



Das Headset besteht aus folgenden Komponenten:

1. Multifunktions-taste (Ein- und Ausschalten, Koppeln, Sprachwahl)
2. Titelsprung rückwärts
3. Leiser
4. LED (nur im leuchtenden Zustand sichtbar)
5. Wiedergabe-/Pausetaste (Anruf annehmen/beenden/abweisen)
6. Titelsprung vorwärts
7. Lauter
8. Ladeanschluss
9. 3,5 mm-Kabelanschluss
10. Mikrofon

Bevor Sie Ihr neues Headset benutzen können, müssen Sie zunächst den Akku aufladen und das Headset mit einem kompatiblen Gerät koppeln. Praktischerweise lässt sich das Headset auch mit nicht geladenem Akku nutzen, wenn Sie es per Kabel mit einem Telefon oder Audioplayer verbinden.

## Akku aufladen

Das Headset wird mit einem Micro-USB-Kabel geliefert, über das Sie es mit einem Computer oder anderen Geräten verbinden können, die ein Aufladen per USB ermöglichen. Schließen Sie den kleinen Micro-USB-Stecker des mitgelieferten USB-Kabels an den Micro-USB-Ladeanschluss unter der linken Ohrmuschel des Headsets an. Verbinden Sie den großen Stecker am anderen Ende des Kabels mit dem USB-Port Ihres Computers oder USB-Ladegerätes. Die LED leuchtet beim Laden rot. Sobald der Akku voll geladen ist, leuchtet die LED grün. Das Laden eines komplett geleerten Akkus dauert etwa 1,5 Stunden. Mit einer vollen Akkuladung können Sie bis zu 100 Stunden lang telefonieren oder Musik hören, die Energie reicht für bis zu 100 Stunden Bereitschaft aus.

**WARNUNG:** 1) Bitte beachten Sie gültige Umweltschutzvorschriften bei der Entsorgung von Akkus. Akkus müssen ordnungsgemäß recycelt oder entsorgt werden. Das Gerät darf nicht mit dem regulären Hausmüll entsorgt werden. Am Ende seiner Einsatzzeit muss das Gerät ordnungsgemäß bei einer Sammelstelle zum Recycling von elektrischen und elektronischen Altgeräten abgegeben werden. Durch Sammlung und Wiederverwertung von Altgeräten leisten Sie einen wichtigen Beitrag zur Erhaltung unserer natürlichen Ressourcen und sorgen für eine umweltgerechte und gesunde Entsorgung. 2) Akkus (ob Akkupacks oder einzeln) dürfen weder stark erwärmt, noch direkter Sonneneinstrahlung ausgesetzt werden. 3) Nehmen Sie das Gerät NICHT auseinander, versuchen Sie NICHT, den Akku in Eigenregie auszuwechseln. Falls Sie einen Defekt des Akkus vermuten, lassen Sie sich bitte vom Kundendienst weiterhelfen.

## Einschalten

Zum Einschalten halten Sie die Multifunktions-taste etwa 2 Sekunden lang gedrückt. Das Headset gibt eine aufsteigende Tonfolge aus, die LED leuchtet kurz grün auf. Während das Headset versucht, sich mit dem zuletzt genutzten Telefon oder Audioplayer zu verbinden, blinkt die LED langsam rot. Wenn das Headset mit einem Gerät verbunden und einsatzbereit ist, blinkt die LED langsam blau. Falls das Headset mit keinem Gerät gekoppelt ist, wechselt es automatisch in den Kopplungsmodus.

## Abbrechen

Zum Abschalten halten Sie die Multifunktions-taste etwa 3 Sekunden lang gedrückt. Sie hören eine absteigende Tonfolge, die LED leuchtet kurz rot auf. Das Headset schaltet sich automatisch ab, falls es nicht innerhalb 10 Minuten mit einem Gerät verbunden wird.

## Koppeln

1. Sorgen Sie dafür, dass Ihr Telefon oder Audioplayer eingeschaltet ist.
2. Wenn das Headset zuvor noch mit keinem Gerät gekoppelt wurde, schalten Sie es einfach ein. Das Headset wechselt in den Kopplungsmodus, die LED blinkt schnell rot und blau. Wenn Sie das Headset zuvor bereits mit einem anderen Gerät gekoppelt haben, achten Sie darauf, dass das Headset zunächst abgeschaltet ist. Anschließend halten Sie die Multifunktions-taste etwa 5 Sekunden lang gedrückt, bis die LED schnell blau und rot blinkt.
3. Schalten Sie die *Bluetooth*-Funktion Ihres Telefons oder Audioplayers ein, lassen Sie das Gerät nach *Bluetooth*-Geräten suchen.
4. Wählen Sie „**Freedom**“ aus der Liste mit gefundenen Geräten.
5. Bei Bedarf geben Sie am externen Gerät das Kennwort **0000** zum Koppeln und Verbinden des Headsets ein.

## Lautstärke einstellen

Zum Einstellen der Lautstärke bei Telefonaten oder bei der Audiowiedergabe drücken Sie die Lauter- oder Leiser-Tasten am Headset. Zum schnellen Einstellen der Lautstärke halten Sie die Tasten jeweils gedrückt.

**WARNUNG:** Zu hohe Lautstärke beim Hören mit Ohr- oder Kopfhörern kann zu Gehörschädigungen führen.

## Telefonieren

Zum Telefonieren benutzen Sie Ihr Mobiltelefon auch bei verbundenem Headset ganz normal.

Zum Aktivieren der Sprachwahl (sofern diese Funktion von Ihrem Telefon unterstützt wird) drücken Sie die Multifunktions-taste im Leerlauf (also wenn kein Telefonat läuft) zweimal schnell hintereinander. Die Sprachwahl ist aktiv, gehen Sie nun wie in der Anleitung Ihres Telefons beschrieben vor.

Zum Annehmen oder Beenden eines Anrufes drücken Sie kurz die Wiedergabe-/Pausetaste. Wenn Sie einen Anruf abweisen möchten, halten Sie die Wiedergabe-/Pausetaste etwa 2 Sekunden lang gedrückt.

Wenn Sie ein laufendes Gespräch vom Headset zum Telefon übertragen möchten, halten Sie die Wiedergabe-/Pausetaste etwa 2 Sekunden lang gedrückt. Zum Übertragen eines laufenden Gespräches vom Telefon zum Headset halten Sie die Wiedergabe-/Pausetaste ebenfalls 2 Sekunden lang gedrückt.

## Headset trennen

Wenn Sie das Headset vom verbundenen Gerät trennen möchten, schalten Sie das Headset einfach ab oder trennen es über das *Bluetooth*-Menü Ihres Gerätes.

## Headset erneut verbinden

Zum erneuten Verbinden des Headsets mit dem zuletzt genutzten Telefon oder Audioplayer schalten Sie das Headset einfach ein oder stellen die Verbindung über das *Bluetooth*-Menü Ihres Gerätes her.

## Musik hören

Zum Musikhören verbinden Sie das Headset mit einem kompatiblen Telefon oder Audioplayer; Telefon oder Audioplayer müssen das *A2DP-Bluetooth*-Profil unterstützen. Mögliche Funktionen zur Steuerung der Audiowiedergabe hängen vom jeweiligen Telefon oder Audioplayer ab.

Falls Sie beim Musikhören einen Anruf annehmen oder tätigen, wird die Wiedergabe bis zum Ende des Gesprächs angehalten.

Zum Abspielen eines Titels wählen Sie den Titel am Smartphone oder Audioplayer, anschließend drücken Sie die Wiedergabe-/Pausetaste am *iSport*® Freedom-Headset. Mit der Wiedergabe-/Pausetaste können Sie einen laufenden Titel auch anhalten und wieder fortsetzen.

Wenn Sie bei laufender Wiedergabe zum nächsten Titel springen möchten, drücken Sie einmal kurz die Titelsprung-vorwärts-Taste. Zum Abspielen des vorherigen Titels drücken Sie die Titelsprung-rückwärts-Taste einmal oder zweimal kurz. Zum schnellen Spulen innerhalb eines Titels halten Sie eine der Tasten gedrückt.

## Einstellungen löschen/Rücksetzen

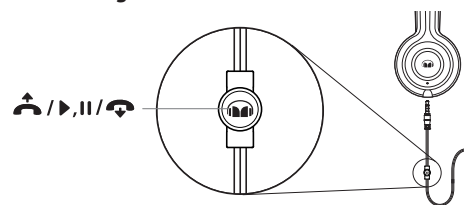
Wenn Sie die Kopplungseinstellungen des Headsets aufheben möchten, schalten Sie das Headset zunächst ab. Halten Sie nun die Multifunktions-taste und die Leiser-Taste gleichzeitig mindestens 8 Sekunden lang gedrückt, bis die LED dreimal abwechselnd rot und blau aufleuchtet.

Zum Rücksetzen des Headsets schließen Sie das Headset an ein Ladegerät an, anschließend drücken Sie Multifunktions-taste und die Lauter-Taste gleichzeitig.

## Passiver Modus

Sie können Ihr *iSport*® Freedom auch als Kabelkopfhörer einsetzen und so Akkuenergie sparen. Dazu verbinden Sie den Anschluss unter der Ohrmuschel einfach über das mitgelieferte *ControlTalk Universal*™-Kabel mit Ihrem Telefon oder Audioplayer. Beim Anschluss des Audiokabels wird die kabellose Übertragung automatisch abgeschaltet.

## Verwendung von *ControlTalk Universal*™



Die *ControlTalk Universal*™-Fernbedienung am Kabel verfügt über einen einzigen Bedienelement und ein eingebautes Mikrofon, was es Ihnen ermöglicht schnell und einfach zwischen dem Musikhören und einem Telefonat in der Freisprechfunktion zu wechseln.

Stöpseln Sie zum Verbinden das Ende des iSport® Freedom-Kopfhörerkabels, das dem ControlTalk Universal™ am nächsten ist, in die Unterseite der linken Kopfhörermuschel und das andere Ende in die 1/8" (3,5 mm) Stereobuchse Ihres Music Players.

**Annahme eines Anrufs:** Wenn Sie über einen eingehenden Anruf informiert werden, drücken Sie den ControlTalk Universal-Bedienknopf und lassen Sie diesen los, um zu antworten.

**Beenden eines Anrufs:** Bei den meisten Telefonen drücken Sie den Bedienknopf und lassen Sie wieder los. Bei einigen Telefonen ist es notwendig, dass Sie den Bedienknopf drücken und halten.

**Verwendung der Funktion Anklappen:** Die meisten (jedoch nicht alle) Mobiltelefone funktionieren wie folgt: Wenn Sie über einen eingehenden Anruf informiert werden, während Sie bereits einen Anruf entgegennehmen, drücken Sie den Bedienknopf und lassen Sie diesen wieder los, um zu antworten und den ersten Anruf warten zu lassen. Drücken Sie den Bedienknopf und lassen Sie diesen wieder los, um zurück zum ersten Anruf zu wechseln. Drücken Sie den Bedienknopf und halten Sie diesen gedrückt, um Ihren derzeitigen Anruf zu beenden und zurück zu dem wartenden Anruf zu wechseln.

**Einen Song oder ein Video abspielen oder pausieren:** Drücken Sie die Mittelstaste und lassen Sie wieder los. Wiederholen Sie dies, um fortzufahren.

Die Funktionalität ist geräteabhängig. Weitere Informationen über die Funktionalität Ihres Geräts finden Sie auf [MonsterProducts.com/mp3/ctuniversalworks.asp](http://MonsterProducts.com/mp3/ctuniversalworks.asp)

## Kopfhörer-Einspielzeit

Eine Einspielzeit für einen Kopfhörer? Ein Witz, richtig? Nein, kein Witz. Alle leistungsstarken Geräte, ob es sich um Autos oder um Kopfhörer handelt, funktionieren mechanisch und laufen sich bei der Nutzung ein. Ihr neuer Kopfhörer wird direkt nach dem Kauf unglaublich klingen, aber nach der Nutzung wird er „weicher“ und klingt sogar noch besser. Wir empfehlen, den Kopfhörer 8 Stunden laufen zu lassen. Nach 20 Stunden sollte der Kopfhörer vollständig eingespielt sein. Viel Vergnügen!

## INGESCHRÄNKTE GARANTIE FÜR

### VERBRAUCHER

Monster, LLC, 7251 West Lake Mead Blvd., Las Vegas, NV 89128, USA, **(BITTE BEACHTEN SIE, DASS MONSTER KEINE AN DIESE ADRESSE EINGESCHICKTEN PRODUKTE ANNIMMT – FOLGEN SIE DEN ANWEISUNGEN IM ABSCHNITT „GELTENDMACHUNG EINES ANSPRUCHS“ UNTEREN)** (415) 840-2000 („Monster“) gewährt Ihnen diese eingeschränkte Garantie. Durch diese eingeschränkte Garantie können Ihnen möglicherweise weitere Rechte oder Rechtsmittel ein, die durch diese eingeschränkte Garantie nicht beeinträchtigt werden.

#### BEGRIFFSBESTIMMUNG

„**Angemessene Verwendung**“ bezeichnet die persönliche Verwendung des Produktes (i) für private Zwecke (im Gegensatz zu gewerblichen Zwecken), (ii) im Einklang mit allen geltenden Gesetzen, Bestimmungen oder Vorschriften (insbesondere Vorschriften bezüglich Gebäuden und/oder elektrischen Installationen), (iii) gemäß den Herstellerempfehlungen und/oder -anleitungen in den Unterlagen und in der Dokumentation, die dem Produkt beiliegen, und (iv) mit ordnungsgemäßer elektrischer Erdung, sofern zutreffend.

„**Autorisierter Händler**“ bezeichnet einen Händler, Wiederverkäufer oder Einzelhändler, der (i) ordnungsgemäß autorisiert wurde, Geschäfte zu tätigen, und beauftragt ist, Ihnen das Produkt gemäß den Gesetzen in dem Gerichtsstand zu verkaufen, in dem Sie das Produkt gekauft haben, (ii) und der das Produkt direkt von Monster oder einem Dritten in einem Vertragsverhältnis mit Monster und im Einklang mit den zulässigen Geschäftsbedingungen eines solchen Vertrags erworben hat und (iii) Ihnen das Produkt neu und in seiner Originalverpackung verkauft hat.

„**Formeller Garantieanspruch**“ bezeichnet einen Anspruch, der in Übereinstimmung mit dem hier aufgeführten Abschnitt „Formeller Garantieanspruch“ geltend gemacht wird.

„**Produkt**“ bezeichnet ein Produkt, (i) das in der unten stehenden Tabelle mit Angaben zur Garantie“ aufgeführt wird, (ii) das Sie neu und in seiner Originalverpackung von einem autorisierten Händler gekauft haben und (iii) dessen Seriennummer, sofern vorhanden, weder entfernt, geändert noch unleserlich gemacht wurde.

„**Produktdefekt**“ oder „**defektes Produkt**“ bezeichnet einen Mangel des Produktes, der zu dem Zeitpunkt bestand, zu dem Sie das Produkt von einem autorisierten Händler in Empfang genommen haben, und der bewirkt, dass das Produkt nicht die Leistung entsprechend der dem Produkt beiliegenden Dokumentation von Monster erbringt; es sei denn, dieser Fehler wurde vollständig oder teilweise verursacht durch (a) eine andere Verwendung als die angemessene Verwendung, (b) Transport, Fahrlässigkeit, Fehlgebrauch oder Missbrauch durch eine Person, die kein Mitarbeiter von Monster ist, (c) durch Veränderung, Manipulation oder Modifikation des Produktes durch eine Person, die kein Mitarbeiter von Monster ist (d) durch Unfall (außer einer Fehlfunktion, die ebenfalls als Produktdefekt in Frage kommen würde), (e) durch Wartung oder Reparatur des Produktes durch eine Person, die kein Mitarbeiter von Monster ist, (f) durch Einwirkung von Wärme, hellem Licht, Sonne, Flüssigkeiten oder anderen Fremdkörpern auf das Produkt oder (g) durch Handlungen, die sich dem Einfluss von Monster entziehen, insbesondere höhere Gewalt, Brand, Unwetter, Erdbeben oder Überschwemmung.

„**Garantiezeit**“ bezeichnet den Zeitraum, in dem Monster Ihren formellen Garantieanspruch erhalten haben muss. Die verschiedenen Garantiezeiten für Produktdefekte werden unten in der Tabelle mit Angaben zur Garantie“ aufgeführt. Die Garantiezeit beginnt ab dem Datum, an dem Sie das Produkt von einem autorisierten Händler gekauft haben, und die Rechnung den Kassenzettel oder den Lieferschein gekauft oder erhalten haben (je nachdem, welcher Zeitpunkt später eintritt). Wenn Sie keinen schriftlichen Beleg für das Kauf- oder Empfangsdatum haben, beginnt die Garantiezeit drei (3) Monate nach dem Datum, an dem das Produkt Monster oder seine Fabrik laut Nachweis durch die Aufzeichnungen von Monster verlassen hat. Die Garantiezeit endet, wenn die in der Tabelle mit Angaben zur Garantie“ aufgeführte Zeit abgelaufen ist, oder wenn Sie das Eigentum am Produkt auf einen anderen übertragen haben, je nachdem, welcher Zeitpunkt früher eintritt. Darüber hinaus müssen Sie Monster innerhalb von zwei (2) Monaten, nachdem Sie einen Produktdefekt entdeckt haben (oder entdeckt haben sollten, falls so ein Produktdefekt offensichtlich war), anrufen und eine Rückerstattungsantrag (wie im Abschnitt „Geltendmachung eines Anspruchs“ beschrieben) anfordern.

„**Sie**“ bezeichnet die erste Einzelperson, die das Produkt in seiner Originalverpackung von einem autorisierten Händler gekauft hat. Diese eingeschränkte Garantie gilt nicht für Personen oder Unternehmen, die das Produkt (i) in Gebrauchtum oder unerwartetem Zustand, (ii) zum Wiederverkauf, zur Vermietung oder zu einer anderen gewerblichen Verwendung oder (iii) von jemand anders als einem autorisierten Händler gekauft haben.

#### UMFANG DIESER EINGESCHRÄNKTEN GARANTIE

**PRODUKTE.** Falls ein Produkt einen Produktdefekt bereits aufwies, als Sie es bei einem autorisierten Händler gekauft haben, und Monster einen formellen Garantieanspruch von Ihnen (i) innerhalb von zwei (2) Monaten, nachdem Sie so einen Produktdefekt entdeckt haben (oder entdeckt haben sollten, falls dieser Produktdefekt offensichtlich war) und (ii) vor dem Ende der für das betreffende Produkt geltenden Garantiezeit für Produktdefekte erhält, bietet Monster Ihnen eine der folgenden Lösungen an: Monster wird (i) das defekte Produkt reparieren oder nach Monsters alleinigem Ermessen ersetzen oder (2) Ihnen den Kaufpreis erstatten, den Sie an Monster oder den autorisierten Händler für das defekte Produkt gezahlt haben, falls eine Reparatur oder ein Ersatz unerschafflich ist oder nicht zeitgerecht durchgeführt werden kann. HINWEIS: SOWEIT GESETZLICH ZULÄSSIG HAFTET MONSTER IM RAHMEN DIESER EINGESCHRÄNKTEN GARANTIE NICHT FÜR ETWAIGE NEBENSCHÄDEN, FOLGESCHÄDEN ODER INDIRKTE SCHÄDEN.

#### ALLGEMEINE BESTIMMUNGEN

**WAHL DES RECHTS/DES GERICHTSSTANDES.** Diese eingeschränkte Garantie und alle durch diese eingeschränkte Garantie oder im Zusammenhang mit ihr entstehenden Streitigkeiten („Streitigkeiten“) unterliegen dem Gerichtsstand, in dem Sie das Produkt gekauft haben.

**SONSTIGE RECHTE.** DIESE EINGESCHRÄNKTE GARANTIE GEWÄHRT IHNEN BESTIMMTE JURISTISCHE RECHTE UND SIE KÖNNEN AUSSERDEM JE NACH GERICHTSSTAND ANDERE RECHTE INNEHBAREN. DUE VON DIESER EINGESCHRÄNKTEN GARANTIE ÜBERNÜHERT BLEIBEN.“ DIESE GARANTIE GILT NUR FÜR SIE UND KANN NICHT ÜBERTRAGEN ODER ABGETRETEN WERDEN. Falls eine Bestimmung dieser eingeschränkten Garantie rechtswidrig, nichtig oder nicht durchsetzbar ist, gilt diese Bestimmung als abtrennbar und beeinträchtigt keine der übrigen Bestimmungen. Im Falle von Unstimmigkeiten zwischen der englischen und anderen Versionen dieser eingeschränkten Garantie ist die englische Version maßgeblich.

**REGISTRIERUNG.** Bitte registrieren Sie Ihr Produkt auf [www.MonsterProducts.com](http://www.MonsterProducts.com). Wenn Sie sich nicht registrieren, wird dies Ihre Garantierrechte nicht mindern.

#### TABELLE MIT ANGABEN ZUR GARANTIE

Produktmodell	Garantiezeit für das Produkt
Produkt, das dieser Garantie beiliegt	Ein (1) Jahr für Produkte, die in Nordamerika, Südamerika und in der Asien-Pazifik-Region verkauft wurden Zwei (2) Jahre auf Produkte, die in der EU verkauft werden

#### FORMELLER GARANTIEANSPRUCH

##### GELTENDMACHUNG EINES ANSPRUCHS.

Im Falle eines Produktdefektes müssen Sie folgendermaßen vorgehen: (1) Setzen Sie sich innerhalb von zwei (2) Monaten, nachdem Sie einen Produktfehler entdeckt haben (oder ihn entdeckt haben, falls so ein Produktfehler offensichtlich war), telefonisch mit Monster in Verbindung. (2) Beschreiben Sie ausführlich, wie der Defekt aufgetreten ist. (3) Lassen Sie sich eine Rückerstattungsnummer geben. (4) Senden Sie das Produkt frankiert (das Porto wird Ihnen erstattet, sofern Ihr Anspruch im Rahmen dieser eingeschränkten Garantie berechtigt ist) zur Prüfung des Defektes an Monster zurück. Legen Sie eine Kopie Ihres Originalkaufbells oder Kaufnachweises (Rechnung oder Lieferschein) für das besagte Produkt und das ausgefüllte Reklamationsformular bei und versehen Sie die Außenseite der Rücksendung mit der Rückerstattungsnummer. Das Reklamationsformular enthält Anweisungen für die Rücksendung.

**TELEFONNUMMERN.** Wenn Sie das Produkt in den Vereinigten Staaten (1-877-800-8989), in Lateinamerika (Mexiko 011-882-800-8989) oder in der Asien-Pazifik-Region (China 400-820-8973) gekauft haben, kontaktieren Sie Monster, LLC auf dem Postweg: 455 Valley Drive, Brisbane, CA 94005, USA (BITTE BEACHTEN SIE, DASS MONSTER KEINE AN DIESE ADRESSE EINGESCHICKTEN PRODUKTE ANNIMMT – FOLGEN SIE DEN ANWEISUNGEN IN DEM OBIGEN ABSCHNITT „GELTENDMACHUNG EINES ANSPRUCHS“). Wenn Sie das Produkt in Australien gekauft haben, kontaktieren Sie Convoxy International Pty Ltd (02 9700 0111), Unit 7, 1801 Botany Rd, Banksmeadow, NSW 2019 Australien, einen Vertreter von Monster. Wenn Sie das Produkt in einem anderen Land gekauft haben, kontaktieren Sie Monster Technology International Ltd., Ballymore Business Park, Gort Road, Ennis, Co. Clare, Irland. Sie können eine der folgenden Telefonnummern nutzen:

<b>Vereinigten Staaten</b>	1-877-800-8989
<b>Kanada</b>	866-348-4171
<b>Mexiko</b>	011-882-800-8989
<b>China</b>	400-820-8973
<b>Irland</b>	353 85 68 69 354
<b>Österreich</b>	0800296482
<b>Belgien</b>	800-79201
<b>Tschechische Republik</b>	800-142471
<b>Dänemark</b>	8088-2128
<b>Finnland</b>	800-112768
<b>Frankreich</b>	0800-918201
<b>Deutschland</b>	0800-1819388
<b>Griechenland</b>	00800-353-12008
<b>Italien</b>	800-871-479

Niederlande	0800-0228919
Norwegen	800-10906
Russland	810-800-20051353
Spanien	900-992-909
Schweden	020-792650
Schweiz	0800834659
Vereinigtes Königreich	0800-0569520

**WEITERE VORGEHENSWEISE.** Monster wird entscheiden, ob ein Produktdefekt vorliegt. Monster kann Sie nach eigenem Ermessen auffordern, bei einem Service-Center einen Kostenvoranschlag für die Reparatur einzuholen. Wenn ein Kostenvoranschlag für eine Reparatur erforderlich ist, werden Sie angewiesen, wie Sie den Kostenvoranschlag und die daraus resultierende Rechnung Monster ordnungsgemäß zur Zahlung vorlegen. Reparaturgebühren können von Monster ausgehandelt werden.

**ZEITLICHER ABLAUF.** Wenn Sie einen formellen Garantiesanspruch vorlegen und alle Bedingungen dieser eingeschränkten Garantie erfüllen, wird sich Monster bemühen, Ihnen innerhalb von dreißig (30) Tagen nach Eingang Ihres formellen Garantiespruchs eine Lösung anzubieten (wenn Sie in den Vereinigten Staaten leben – wenn Sie an einem anderen Ort leben, beträgt dieser Zeitraum fünfundvierzig (45) Tage); es sei denn, der Vorgang wird durch Vorkommnisse, die sich der Kontrolle von Monster entziehen, verzögert.

\* Unsere Waren sind mit Garantien versehen, die vom australischen Verbrauchergesetz nicht ausgeschlossen werden können. Bei einem größeren Defekt haben Sie Anspruch auf Ersatz oder Rückerstattung des Kaufpreises und bei allen anderen vernünftigerweise vorhersehbaren Verlusten oder Schäden auf Schadensersatz. Sie haben zudem Anspruch auf Reparatur oder Ersatz der Waren, wenn die Waren nicht von annehmbarer Qualität sind und diese minderwertige Qualität keinem größeren Fehler gleichkommt.

Ver.121912 – GLOBAL

©2014 Monster, LLC

## Notificación de Canadá, IC ID: 7512A-190506

Este aparato digital clase B cumple con los estándares ICES-003 de Canadá.

Este dispositivo cumple con las normas RSS 210 de la industria canadiense. Su funcionamiento está sujeto a las dos condiciones siguientes: (1) Este dispositivo no debe causar interferencias, y (2) debe aceptar cualquier interferencia, incluidas las interferencias que puedan causar un funcionamiento no deseado del dispositivo.

### Declaración de clase B de Canadá

Este dispositivo digital no excede los límites clase B de emisión de ruidos de radio de aparatos digitales como establece el estándar de equipos que provocan interferencia denominado "Aparato digital", ICES-003 del departamento de comunicaciones.

### CAN ICES-3 (B)/NMB-3(B)

### Modificación

Cualquier cambio o modificación no aprobado expresamente por el beneficiario de este dispositivo puede anular la autoridad del usuario para utilizar este dispositivo.



## (ES) Consejos importantes de Monster® de rendimiento y seguridad

### ID FCC: RJE190506

Este dispositivo cumple con el apartado 15 del Reglamento FCC. Su funcionamiento está sujeto a las dos condiciones siguientes: (1) Este dispositivo no debe causar interferencias perjudiciales, y (2) debe aceptar cualquier interferencia recibida, incluidas las interferencias que puedan causar un funcionamiento no deseado. Los cambios o modificaciones no aprobados explícitamente por la parte responsable del cumplimiento con las normas aplicables podrían anular la autoridad del usuario para utilizar el equipo. La conexión de dispositivos periféricos requiere el uso de cables de señal blindados conectados a tierra. La toma de corriente debe estar instalada cerca del equipo y debe ser fácilmente accesible.

**NOTA:** Este equipo se ha sometido a pruebas y cumple con los límites para ser un dispositivo digital de Clase B, según el apartado 15 de las Normas de la FCC. Estos límites están diseñados para proporcionar una protección razonable contra las interferencias perjudiciales en una instalación residencial. Este equipo genera, utiliza y puede irradiar energía de radiofrecuencia y, si no se instala y utiliza de acuerdo con las instrucciones, puede causar interferencias perjudiciales para las comunicaciones de radio. Sin embargo, no hay garantía de que no se produzcan interferencias en una instalación específica. Si este equipo provoca interferencias perjudiciales para la recepción de la radio o la televisión, lo cual puede verificarse al encenderlo y apagarlo, se recomienda al usuario que intente corregir la interferencia realizando una o más de las siguientes acciones:

- Reorientar o reubicar la antena receptora.
- Aumentar la separación entre el equipo y el receptor.
- Conectar el equipo a un tomacorriente que se encuentre en un circuito diferente de aquel al que está conectado el receptor.
- Consulte al distribuidor o a un técnico de radio / TV con experiencia para obtener ayuda.

**PRECAUCIÓN:** Los cambios o modificaciones no aprobados explícitamente por la parte responsable del cumplimiento con las normas aplicables podrían anular la autoridad del usuario (o la de usted) para utilizar el equipo. Evite guardar el producto en condiciones de calor o frío extremos. Evite la exposición a líquidos, temperaturas extremas y alta humedad. El rango de temperatura para el funcionamiento del producto es de 0 a 45° C (de 32 a 113° F).

Este dispositivo cumple con los límites de exposición a la radiación FCC/IC establecidos para un entorno no controlado.

## Europa. Declaración de conformidad de la UE

Este equipo cumple con la directiva de equipos de radio y de terminales de telecomunicaciones 1999/5/EC.

Este equipo cumple con los siguientes estándares:

<b>Seguridad</b>	EN 60950-1/A 12:2011
<b>Salud</b>	EN 62479:2010
<b>CEM</b>	EN 301489-1 V1.9.2 EN 301489-17 V2.2.1 EN 55022: 2010 EN 55024: 2010
<b>Radio</b>	EN 300 328 V1.7.1



**Número de certificación del modelo:**  
190506 (verde, negro, amarillo)

**Dirección de importación:** Monster, LLC  
7251 West Lake Mead Blvd.,  
Las Vegas, NV 89128

**Dirección de importación:** Monster Technology International, Ltd.  
Ballymaley Business Park,  
Gort Rd., Ennis, Co. Clare, Ireland

### Escucha de manera responsable

Para evitar daños auditivos, asegúrate de que el volumen de tu reproductor de música esté bajado antes de conectar tus auriculares. Después de haber colocado los auriculares en tus oídos, sube el volumen gradualmente hasta alcanzar un nivel de escucha confortable.

Los niveles de ruido se miden en decibelios (dB). La exposición a cualquier ruido igual o superior a 85 dB puede causar una pérdida auditiva gradual.

Controla tu uso; la pérdida auditiva va en función del volumen y el tiempo. A mayor volumen, menor el tiempo recomendable de exposición. Cuanto más suave sea el volumen, mayor podrá ser el tiempo de escucha.

Esta tabla de decibelios (dB) compara sonidos comunes y muestra su grado de daño potencial a la audición.

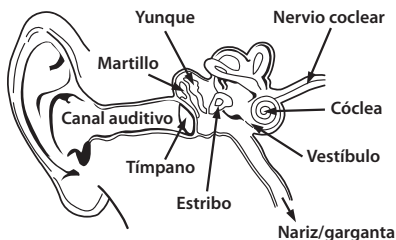
SONIDO	NIVEL DE RUIDO (dB)	EFEECTO
Susurro	30	Muy silencioso
Oficina en silencio	50–60	Escucha confortable los niveles están por debajo de 60 dB
Aspiradora, Secador de pelo	70	Intrusivo; interfiere con las conversaciones telefónicas
Batidora	85–90	85 dB es el nivel a partir del cual comienza el daño auditivo (8 horas)
Camión de basura, Hormigonera	100	Se recomiendan no más de 15 minutos de exposición sin protección para sonidos entre 90 y 100 dB
Motosierra, Taladro/Martillo neumático	110	La exposición regular a sonidos por encima de 100 dB durante más de 1 minuto conlleva riesgo de pérdida permanente de audición
Conciertos de rock (varia)	110–140	El umbral del dolor comienza alrededor de los 125 dB

Tabla de información extraída de [www.nidcd.nih.gov/health/education/teachers/pages/common\\_sounds.aspx](http://www.nidcd.nih.gov/health/education/teachers/pages/common_sounds.aspx)

Saca el máximo partido de tu equipo y disfruta de un excepcional rendimiento de audio, también a un volumen seguro. Nuestros auriculares te permitirán oír más detalles que nunca, a volumen bajo.

Aprende cómo establecer un nivel de escucha seguro y revisa otras importantes directrices de seguridad de la Asociación de electrónica de consumo (Consumer Electronics Association) en [www.ce.org](http://www.ce.org). Puedes encontrar información importante acerca de cómo evitar la pérdida de la audición inducida por el ruido y una lista exhaustiva de los ruidos que pueden ocasionar daños, en el sitio web de la Fundación para la investigación de la sordera (Deafness Research Foundation), [www.drf.org](http://www.drf.org).

## Fisiología del oído y de la audición



Para más información sobre cómo los ruidos fuertes afectan sus oídos y sobre cómo protegerlos, consulte [www.abelard.org/hear/hear.php#loud-music](http://www.abelard.org/hear/hear.php#loud-music)

## Uso responsable

No utilices los auriculares cuando no sea seguro usarlos—al conducir un vehículo, montar en bicicleta, cruzar la calle, o durante cualquier actividad o en cualquier circunstancia donde sea necesaria tu total atención al entorno.

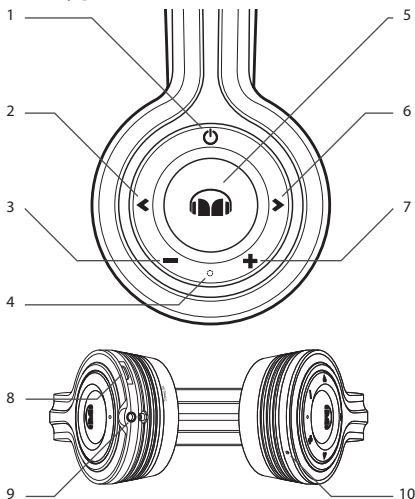
Es peligroso conducir con los auriculares puestos y, en muchos lugares, ilegal porque disminuye la posibilidad de oír sonidos de fuera de tu vehículo que pueden salvarte la vida, como la bocina de otro coche o las sirenas de vehículos de emergencia.

Por favor, evita llevar los auriculares mientras conduces. En su lugar, utiliza los transmisores FM de Monster para escuchar tus dispositivos móviles.

## Limpieza

Limpie los auriculares con un paño humedecido con jabón líquido suave.

## Botones y partes



Los auriculares incluyen las siguientes partes:

1. Botón multifunción (encendido/apagado, conectividad, activar la marcación por voz)
2. Pista previa
3. Bajar el volumen
4. Luz indicadora (únicamente visible cuando está encendida)
5. Botón de reproducir / pausa (contestar/colgar/rechazar la llamada)
6. Pista siguiente
7. Subir el volumen
8. Conectar el cargador
9. puerto del cable de 3.5mm
10. Micrófono

Antes de utilizar los audífonos, cargue la batería y conecte los auriculares a un dispositivo compatible. Freedom funciona con la batería descargada cuando el dispositivo está conectado a un teléfono o reproductor de música.

## Cómo cargar la batería

Los auriculares incluyen un cable micro USB que puede conectar a su ordenador u otro dispositivo para cargar la batería vía USB. Conecte el extremo micro USB del cable USB incluido en el puerto micro USB de carga que se encuentra en la parte inferior del auricular izquierdo. Conecte el otro extremo en el puerto USB de su ordenador u otro dispositivo para cargar vía USB. La luz indicadora se encenderá de color rojo mientras esté cargando. Una vez que se haya cargado por completo, se encenderá una luz LED de color verde. El tiempo de carga es de 1.5 horas cuando la batería está completamente descargada. La batería completamente cargada tiene una duración de hasta 10 horas, ya sea hablando por teléfono o escuchando música y de hasta 100 horas en modo espera.



**ADVERTENCIA:** (1) Por favor, tome en cuenta las normas de eliminación de baterías. Las baterías deben reciclarse o desecharse de forma adecuada. Este producto no debe desecharse junto con desperdicios domésticos. Este producto debe desecharse en un lugar autorizado donde se reciclen aparatos eléctricos y electrónicos. Al recolectar y reciclar residuos, usted ayuda a salvar recursos naturales y a asegurar que el producto se deseché en un ambiente adecuado de manera sana. (2) Las baterías (instaladas o de repuesto) no deben exponerse a fuentes de calor excesivo como el sol, el fuego y demás. (3) NO desarme o reemplace la batería. Si sospecha que la batería no funciona correctamente, por favor, lleve la unidad a un centro de servicio para recibir asistencia.

## Cómo encender los auriculares

Para encender los auriculares, mantenga presionado el botón multifunción durante dos segundos, aproximadamente. Los auriculares emitirán pitidos ascendentes, y la luz verde indicadora se encenderá brevemente. Cuando los auriculares intenten conectarse con el último teléfono o reproductor de música utilizado, la luz roja parpadeará lentamente. Cuando los auriculares se conecten a un dispositivo y estén listos para utilizarse, la luz azul parpadeará lentamente. Si los auriculares no se han sincronizado con ningún dispositivo, éstos entran automáticamente al modo de conexión.

## Cómo apagar los auriculares

Para apagarlos, mantenga presionado el botón multifunción durante tres segundos, aproximadamente. Los auriculares emitirán pitidos descendentes, y la luz roja indicadora se encenderá brevemente. Los auriculares se apagará si no se conectan a ningún dispositivo después de 10 minutos.

## Cómo conectar los auriculares

1. Asegúrese de que el teléfono o reproductor de música esté encendido.
2. Si los auriculares no se han sincronizado previamente con ningún dispositivo, enciéndalos. Los auriculares entrarán en modo de conexión y las luces roja y azul comenzarán a parpadear rápidamente. Para conectar los auriculares, si ya fueron sincronizados previamente con otro dispositivo, asegúrese de que estén apagados y presione el botón multifunción (durante 5 segundos, aproximadamente) hasta que las luces indicadoras azul y roja comiencen a parpadear rápidamente.
3. Encienda el *Bluetooth*® en su teléfono o reproductor de música, y active la búsqueda de dispositivos *Bluetooth*.
4. Seleccione "**Freedom**" de la lista de dispositivos encontrados en su teléfono o reproductor de música.
5. De ser necesario, ingrese la contraseña **0000** para sincronizar los auriculares con su dispositivo.

## Cómo ajustar el volumen

Para ajustar el volumen de los auriculares, presione el botón para subir o bajar el volumen durante una llamada o mientras escucha música. Para ajustar el volumen rápidamente, mantenga presionado el botón deseado.

**ADVERTENCIA:** La presión del sonido en exceso de los auriculares y audífonos puede provocar la pérdida de audición.

## Llamadas

Para hacer una llamada, utilice su teléfono celular como acostumbra cuando los auriculares estén conectados al mismo.

Para activar la marcación por voz (si su teléfono es compatible con esta función de los auriculares) cuando no esté en una llamada, presione el botón multifunción dos veces rápidamente hasta que el teléfono inicie la marcación por voz, y continúe como se indica en la guía del usuario del teléfono.

Para responder o finalizar una llamada, presione rápidamente el botón de reproducir / pausa. Para rechazar una llamada, mantenga presionado el botón de reproducir / pausa durante dos segundos, aproximadamente.

Para pasar de una llamada (activa) de los auriculares al teléfono conectado, mantenga presionado el botón de reproducir / pausa durante dos segundos, aproximadamente. Para pasar de una llamada (activa) del teléfono a los auriculares, mantenga presionado el botón de reproducir / pausa durante dos segundos, aproximadamente.

## Cómo desconectar los auriculares

Para desconectar los auriculares de su dispositivo, apáguelos o desconéctelos en el menú de *Bluetooth* de su dispositivo.

## Cómo conectar nuevamente los auriculares

Para conectar los auriculares al teléfono o al reproductor de música al que se conectó por última vez, encienda los auriculares, o conéctelos a través del menú de *Bluetooth* de su dispositivo.

## Cómo escuchar música

Para escuchar música, conecte los auriculares a un reproductor de música compatible que admita un perfil *Bluetooth* A2DP. Las funciones de música disponibles dependen de su reproductor de música.

Si recibe o hace una llamada mientras está escuchando música, ésta se detendrá hasta que termine la llamada.

Para reproducir una canción, seleccione el reproductor de música y presione el botón de reproducir / pausa en los auriculares *iSport*® Freedom. Para pasar o resumir una canción, presione el botón de reproducir / pausa.

Para seleccionar la siguiente canción mientras está en reproducción, presione el botón de pista siguiente rápidamente. Para seleccionar la canción previa, presione el botón de pista previa (una o dos veces) rápidamente. Para adelantar o regresar la canción en reproducción rápidamente, mantenga presionado el botón deseado.

## Cómo eliminar o reestablecer la configuración

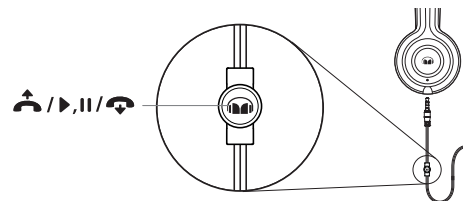
Para eliminar las configuraciones de conexión de los auriculares, apáguelos y mantenga presionado los botones multifunción y para disminuir el volumen (durante ocho segundos) hasta que la luz indicadora alterne de azul a rojo tres veces.

Para reestablecer los auriculares, conéctelos a un cargador y presione al mismo tiempo los botones multifunción y para subir el volumen.

## Modo pasivo

Puede conectar los auriculares *iSport*® Freedom para ahorrar batería. Simplemente conecte el cable ControlTalk Universal™ incluido a la parte inferior del auricular de su reproductor de MP3. Si conecta un cable de audio, la función inalámbrica se desactivará.

## Uso de ControlTalk Universal™



El control remoto ControlTalk Universal™ instalado en el cable incluye un único botón de control y un micrófono integrado que le permitirán pasar fácilmente de escuchar música a hablar por su teléfono en modo manos libres.

Para realizar la conexión, enchufe el extremo del cable de los auriculares *iSport*® Freedom más cercano al ControlTalk Universal™ en la parte inferior del auricular izquierdo y el otro extremo en el conector estéreo de 3,5 mm de su reproductor de música.

**Responder a una llamada:** Cuando reciba un aviso de llamada entrante, pulse y suelte el botón de control de ControlTalk Universal™ para responder.



**Finalizar una llamada:** En la mayoría de teléfonos, basta con pulsar y soltar el botón de control. Con algunos teléfonos, puede ser necesario mantener pulsado el botón de control unos segundos.

**Uso de llamada en espera:** La mayor parte de los teléfonos (aunque no todos) funcionan de la siguiente manera: Cuando reciba un aviso de llamada entrante mientras habla por el teléfono, pulse y suelte el botón de control de ControlTalk Universal™ para responder y dejar la primera llamada en espera. Pulse y suelte el botón de control para volver a la primera llamada. Pulse y suelte el botón de control para terminar la llamada en curso y volver a la llamada en espera.

Reproducción o pausa de una canción o vídeo: Pulse y suelte el botón central. Vuelva a pulsar para continuar.

Estas funciones puede variar según el aparato que utilice. Para más información sobre las funciones disponibles en su aparato, visite [MonsterProducts.com/mp3/ctuniversalworks.asp](http://MonsterProducts.com/mp3/ctuniversalworks.asp)

## Rodaje de los auriculares

¿Periodo de rodaje para los auriculares? Está de broma, ¿verdad? Pues no. Como cualquier otro producto de alto rendimiento, y sea un coche o unos auriculares, se trata de dispositivos mecánicos que se van ajustando después del uso. Tus nuevos auriculares sonarán increíblemente bien nada más sacarlos de la caja, pero se irán suavizando con el uso y terminarán por sonar aún mejor. Recomendamos su uso durante 8 horas. Después de 20 horas de reproducción, ya deben estar totalmente rodados. Disfruta.

## GARANTÍA LIMITADA PARA CONSUMIDORES

Monster, LLC, 7251 West Lake Mead Blvd., Las Vegas, NV 89128, USA, [TENGA EN CUENTA QUE MONSTER NO ACEPTA ENVÍOS DE PRODUCTOS A ESTA DIRECCIÓN. SIGA LAS INSTRUCCIONES SOBRE "CÓMO HACER UNA RECLAMACIÓN" QUE SE ENCUENTRAN A CONTINUACIÓN] (415) 840-2000 ("Monster") le otorga esta garantía limitada. Las normas legales o consuetudinarias pueden ofrecerle derechos o reparaciones adicionales que no se van a ver afectados por esta garantía limitada.

### DEFINICIONES

**"Uso adecuado"** significa un uso personal del producto (i) con fines privados (y no comerciales), (ii) de conformidad con todas las leyes, códigos o normas aplicables (incluyendo sin limitaciones las normas de construcción y electricidad), (iii) de acuerdo con las recomendaciones del fabricante, las instrucciones de los materiales y la documentación que acompaña al producto, y (iv) si procede, con la adecuada toma de tierra.

**"Distribuidor autorizado"** se refiere a cualquier distribuidor, revendedor o minorista que (i) estuviese debidamente autorizado para realizar actividades comerciales y vender el producto de acuerdo con las leyes de la jurisdicción en la que usted compró el producto, (ii) comprase el producto directamente a Monster o a cualquier tercero con una relación contractual con Monster, de conformidad con los términos y condiciones autorizados en dicho acuerdo y (iii) le vendiese el producto nuevo y en su embalaje original.

**"Reclamación formal de garantía"** significa una reclamación efectuada de conformidad con el apartado "Reclamaciones formales de garantía" aquí incluido.

**"Producto"** se refiere a un producto (i) que se encuentre en la siguiente tabla de especificaciones, (ii) que comprase nuevo y en su embalaje original a un distribuidor autorizado y (iii) cuyo número de serie, si lo tuviese, no haya sido eliminado, alterado o borrado.

**"Defecto del producto"** o **"Producto defectuoso"** se refiere a una deficiencia del producto que exista en el momento en que usted recibió el producto de un distribuidor autorizado y que produce fallos en el funcionamiento del producto con respecto a la documentación de Monster que acompaña al producto, a menos que dichos fallos se produzcan total o parcialmente a causa de (a) cualquier otro uso distinto del uso adecuado, (b) transporte, negligencia, uso incorrecto o indebido por parte de cualquiera que no sea empleado de Monster; (c) alteración, manipulación o modificación del producto por cualquiera que no sea empleado de Monster; (d) accidente (distinto del mal funcionamiento que podría considerarse como efecto del producto); (e) mantenimiento y reparación del producto por cualquiera que no sea empleado de Monster; (f) exposición del producto al calor, la luz intensa, el sol, la arena u otros contaminantes; o (g) actos que se escapen del control de Monster, incluyendo sin limitaciones los casos fortuitos, incendios, tormentas, terremotos o inundaciones.

**"Periodo de garantía"** se refiere al periodo de tiempo en el que Monster debe haber recibido su reclamación formal de garantía. Los diferentes periodos de garantía relacionados con los defectos del producto se definen en la siguiente tabla de especificaciones. El periodo de garantía comienza en la fecha en la que usted compró o recibió el producto de un distribuidor autorizado (lo que ocurra más tarde) tal y como queda demostrado en la factura, el recibo de venta o el albarán del distribuidor autorizado. En caso de que no tenga prueba escrita de la fecha de compra o recepción, el periodo de garantía comienza tres (3) meses después de la fecha en la que el producto salió de Monster o de su fábrica según se refleja en los registros de Monster. El periodo de garantía finaliza cuando expire el plazo definido en la tabla de especificaciones o cuando usted haya transferido la propiedad del producto, lo que ocurra antes. Además deberá llamar a Monster y obtener un número de autorización de devolución (ta) y lo que se describe en el apartado "Cómo hacer una reclamación" en los dos (2) meses posteriores al momento en que usted descubrió el defecto del producto (o al momento en el que debería haberlo descubierto si dicho defecto del producto fuese obvio).

**"Usted"** se refiere a la primera persona física que compró el producto en su embalaje original en un distribuidor autorizado. Esta garantía limitada no se aplica a personas o entidades que comprasen el producto (i) usado o sin embalaje, (ii) para su reventa, alquiler o para otro uso comercial, o (iii) a cualquiera que no sea un distribuidor autorizado.

## ALCANCE DE ESTA GARANTÍA LIMITADA

**PRODUCTOS.** Si el producto tenía un defecto del producto cuando lo compró en un distribuidor autorizado y Monster recibe una reclamación formal de garantía (i) en los dos (2) meses posteriores al momento en que usted descubrió dicho defecto del producto (o al momento en el que debería haberlo descubierto si dicho defecto del producto fuese obvio) y (ii) antes del final del periodo de garantía para defectos del producto aplicables al producto defectuoso, Monster le proporcionará una de las siguientes soluciones: Monster (1) reparará o, a criterio exclusivo de Monster, sustituirá el producto defectuoso, o (2) le reembolsará el precio de compra pagado al distribuidor autorizado de Monster por el producto defectuoso en caso de que la reparación o sustitución no sean comercialmente posibles o no puedan hacerse oportunamente. NOTA: EN LA MEDIDA EN QUE LO PERMITA LA LEY APPLICABLE, MONSTER NO ASUME NINGUNA RESPONSABILIDAD SOBRE NINGÚN DAÑO CASUAL, DIRECTO O INDIRECTO DE ACUERDO CON ESTA GARANTÍA LIMITADA.

### CLÁUSULAS GENERALES

**LEY APPLICABLE/JURISDICCIÓN.** Esta garantía limitada y todas las disputas que pudieran surgir en relación con esta garantía limitada ("disputas") se regirán por las leyes de la jurisdicción donde usted compró el producto.

**OTROS DERECHOS.** ESTA GARANTÍA LIMITADA LE CONFIERE UNOS DERECHOS LEGALES CONCRETOS Y ES POSIBLE QUE TENGA OTROS DERECHOS QUE PUEDEN VARIAR SEGÚN LA JURISDICCIÓN Y QUE NO SE VERÁN AFECTADOS POR ESTA GARANTÍA LIMITADA. ESTA GARANTÍA SE LE OTORGA A ÚSTED Y NO PUEDE TRANSFERIRSE NI CEDERSE. Si alguna cláusula de esta garantía limitada es ilegal, no tiene validez o no puede aplicarse, dicha cláusula se considerará de forma separada y no afectará a las cláusulas restantes. En caso de contradicción entre la versión en inglés de esta garantía limitada y el resto de versiones, prevalecerá la versión en inglés.

**REGISTRO.** Registre su producto en [www.MonsterProducts.com](http://www.MonsterProducts.com). No hacerlo no disminuirá sus derechos de garantía.

### TABLA DE ESPECIFICACIONES

Modelo de Producto	Periodo de Garantía de Producto
Producto que acompaña a arte certificado de garantía	Un (1) año para productos vendidos en América del Norte y del Sur y Asia Dos (2) años para productos vendidos en Europa

### RECLAMACIÓN FORMAL DE GARANTÍA

**CÓMO HACER UNA RECLAMACIÓN.** En caso de que aprecie un defecto del producto deberá seguir las instrucciones siguientes: (1) llame a Monster en los dos (2) meses posteriores al momento en que descubrió el defecto del producto (o al momento en el que debería haberlo descubierto si dicho defecto del producto fuese obvio); (2) proporcione una explicación detallada de cómo se produjo el daño; (3) obtenga un número de autorización de devolución; (4) devuelva el producto con los gastos de envío pagados por usted (le serán reembolsados si tiene derecho a reparación según el alcance de esta garantía limitada) a Monster para la verificación de los daños, junto con una copia del **recibo original de venta o la prueba de compra** (factura o albarán) de dicho producto, el formulario de reclamación cumplimentado y el número de autorización de devolución impreso en el exterior del paquete de devolución (el formulario de reclamación incluye las instrucciones de devolución).

**NÚMEROS DE TELÉFONO.** Si compró el producto en los **Estados Unidos** (1-877-800-8989), **América Latina** (México 011-882-800-8989) o **Asia-Pacífico** (China 400-820-8973), contacte con Monster, LLC por correo postal en 455 Valley Drive, Brisbane, CA 94005 (**TENGA EN CUENTA QUE MONSTER NO ACEPTA PRODUCTOS ENVIADOS A ESTA DIRECCIÓN. SIGA LAS INSTRUCCIONES SOBRE "CÓMO HACER UNA RECLAMACIÓN" ARIIBA DESCRITAS**). Si compró el producto en Australia, contacte con el agente de Monster, Conroy International Pty Ltd (02 9700 0111), Unit 7, 1801 Botany Rd, Banksmeadow, NSW 2019 Australia. Si compró el producto en cualquier otro sitio, contacte con Monster Technology International Ltd, Ballymaley Business Park, Gort Road, Ennis, Co. Clare, Ireland. Puede utilizar uno de los siguientes números de teléfono:

<b>Estados Unidos</b>	1-877-800-8989
<b>Canadá</b>	866-348-4171
<b>México</b>	011-882-800-8989
<b>China</b>	400-820-8973
<b>Irlanda</b>	353 65 68 69 354
<b>Austria</b>	0800296482
<b>Bélgica</b>	0800-79201
<b>República Checa</b>	800-142471
<b>Dinamarca</b>	8088-2128
<b>Finlandia</b>	800-112768
<b>Francia</b>	0800-918201
<b>Alemania</b>	0800-1819388
<b>Grecia</b>	00800-353-12008
<b>Italia</b>	800-871-479
<b>Países Bajos</b>	0800-0228919
<b>Noruega</b>	800-10906
<b>Rusia</b>	810-800-20051353
<b>España</b>	900-982-909
<b>Suecia</b>	020-702650
<b>Suiza</b>	0800834659
<b>Reino Unido</b>	0800-0569520

**PROCEDIMIENTOS ADICIONALES.** Monster determinará si el defecto del producto existió o no. Monster puede, a su criterio, indicarle que obtenga un presupuesto de la reparación en un centro de reparación. Si se solicita un presupuesto de reparación, se le indicará cómo enviar el presupuesto y la factura resultante a Monster para su pago. Todos los gastos de reparación debe negociarlos Monster.

**PLAZOS.** Si presenta una reclamación formal de garantía que cumpla plenamente con todos los términos y condiciones de esta garantía limitada, Monster hará todo lo posible para ofrecerle una solución en un plazo de treinta (30) días tras la recepción de tu reclamación formal de garantía (si reside en los Estados Unidos, o de cuarenta y cinco (45) días si reside en cualquier otro sitio), a menos que circunstancias ajenas al control de Monster retrasen el proceso.

\* Nuestros artículos vienen con garantías que no pueden excluirse de acuerdo con la ley australiana del consumidor. Tiene derecho a la sustitución o reembolso por defectos graves y a la compensación por cualquier otra pérdida o daño razonablemente previsible. También tiene derecho a la reparación o sustitución de los artículos en caso de que los mismos no tengan una calidad aceptable y el fallo no constituya un fallo grave.

# (NL) Belangrijke tips van Monster®

## Prestatie- en Veiligheidstips

### Luister op een verantwoorde manier naar muziek

Om gehoorschade te voorkomen moet u ervoor zorgen dat het volume van uw muzikspeler laag staat, voordat u de hoofdtelefoon aansluit en opzet. Nadat u de hoofdtelefoon in of op uw oren heeft gezet, draait u het volume langzaam hoger tot u een aangenaam luisterniveau heeft bereikt.

Het geluidsniveau wordt gemeten in decibel (dB). Blootstelling aan een geluidsniveau van 85 dB of meer kan op termijn gehoorverlies tot gevolg hebben.

Let zelf op de geluidsniveaus waar u zich aan blootstelt; gehoorverlies is afhankelijk van de hoeveelheid lawaai door de tijd heen. Hoe harder het geluid, des te korter kunt u hieraan blootstaan. Hoe zachter het geluid, des te langer kunt u ernaar luisteren.

In deze decibel-tabel (dB) staan een aantal bekende geluiden en de mogelijke gehoorschade die ze kunnen veroorzaken.

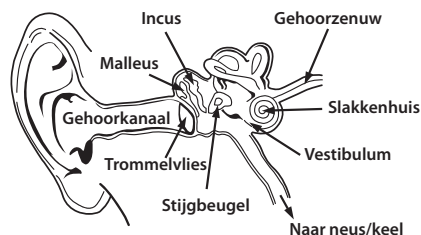
GELUID	GELUIDSNIVEAU (dB)	EFFECT
Fluisteren	30	Heel zacht
Rustig kantoor	50–60	Aangenaam geluid niveau onder 60 dB
Stofzuiger, haardroger	70	Belastend; stoort bij telefoongesprekken
Mixer	85–90	85 dB is het niveau waarbij gehoorschade (8 u.) begint op te treden
Vuilniswagen, Betonmixer	100	Niet meer dan 15 minuten onbeschermde blootstelling wordt geadviseerd voor geluiden tussen 90–100 dB
Zaagbank, Boor/pneumatische boorhamer	110	Regelmatige blootstelling aan geluid harder dan 100 dB meer dan een minuut lang kan permanente gehoorschade veroorzaken
Rockconcerten (variëren)	110–140	De pijngrens begint bij 125 dB

De informatie uit de tabel komt van [www.nidcd.nih.gov/health/education/teachers/pages/common\\_sounds.aspx](http://www.nidcd.nih.gov/health/education/teachers/pages/common_sounds.aspx)

Haal zoveel mogelijk uit uw apparatuur en geniet van een prachtige audiobeleving, ook bij veilige geluidsniveaus. Met onze hoofdtelefoons hoort u bij een lager volume meer details dan ooit tevoren.

Lees de uitleg over het instellen van een veilig geluidsniveau en andere belangrijke veiligheidsregels van de Consumer Electronics Association op [www.ce.org](http://www.ce.org). Belangrijke informatie over het voorkomen van lawaaidoofheid (Noise-Induced Hearing Loss, NIHL) en een uitgebreide lijst met schadelijke geluiden is te vinden op de website van de Deafness Research Foundation, [www.drff.org](http://www.drff.org).

### Opbouw van het oor en het horen van geluid



Zie [www.abelard.org/hear/hear.php#loud-music](http://www.abelard.org/hear/hear.php#loud-music) voor meer informatie over de nadelige effecten van harde geluiden voor uw gehoor en over wat u kunt doen om uw oren te beschermen.

### Verantwoord gebruik

Zet geen hoofdtelefoon op als dit onveilig is, zoals bij het besturen van een voertuig, berijden van een fiets, de straat oversteken of tijdens een activiteit of in een situatie waarbij u volledig op uw omgeving moet kunnen letten.

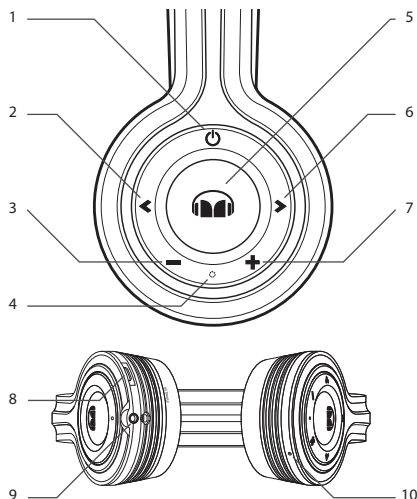
Het is gevaarlijk om met de hoofdtelefoon op auto te rijden en vaak is het ook verboden, omdat u minder goed op belangrijke geluiden buiten uw voertuig kunt letten, zoals de claxon van een andere auto of de sirenes van een noodhulpvoertuig.

Zet uw hoofdtelefoon het liefst af tijdens het autorijden. Gebruik in plaats daarvan een van de FM-ontvangers van Monster om naar uw mobiele media te luisteren.

### Reiniging

Veeg de oorschelpen schoon met een doekje dat is bevochtigd met een milde zeepoplossing.

### Sleutels en onderdelen



De hoofdtelefoon bevat de volgende onderdelen:

1. Multifunctionele toets (Aan/uit zetten, koppelen, op stemgeluid bellen activeren)
2. Achterruit spoelen
3. Volume omlaag
4. Indicatorlampje (alleen zichtbaar als het aan is)
5. Toets afspelen/pauzeren (gesprek beantwoorden/beëindigen/weigeren)
6. Voorruit spoelen
7. Volume omhoog
8. Aansluiting oplader
9. Poort voor kabel van 3,5 mm
10. Microfoon

Voordat de hoofdtelefoon wordt gebruikt, moet de batterij worden opgeladen en moet de hoofdtelefoon worden gekoppeld met een compatibel apparaat. De Freedom zal zonder opgeladen batterij werken wanneer het apparaat met een kabel is aangesloten op een telefoon of een apparaat dat muziek afspeelt.

## De batterij opladen

De hoofdtelefoon wordt geleverd met een micro-USB-kabel die op een pc of ander apparaat kan worden aangesloten dat is gemaakt voor opladen via USB. Sluit het uiteinde van de kabel met de micro-USB-stekker aan op de micro-USB-oplaadpoort onder de linker oorschelp van de hoofdtelefoon. Sluit het andere uiteinde aan op een USB-poort van een pc of een ander apparaat dat is gemaakt voor opladen via USB. Het indicatorlampje licht rood op tijdens het opladen. Na volledig opladen brandt de groene led. De oplaadtijd bij een lege batterij is 1,5 uur. Een volledig opgeladen batterij biedt tot 10 uur tijd voor praten en/of muziek en tot 100 uur stand-by-tijd.

**WAARSCHUWING:** (1) Het afvoeren van batterijen heeft gevolgen voor het milieu. Besteed hier aandacht aan. De batterij moet worden hergebruikt of op juiste wijze worden afgevoerd. Dit product mag niet bij het huishoudelijk afval worden weggegooid. Dit product moet worden afgevoerd via een erkend recyclingbedrijf voor het hergebruiken van elektrische en elektronische apparatuur. Door afval te verzamelen en te hergebruiken, helpt u natuurlijke bronnen te besparen en zorgt u ervoor dat het product op milieuvriendelijke en gezonde wijze wordt afgevoerd. (2) Batterijen (batterijpak of geplaatste batterijen) mogen niet worden blootgesteld aan overmatige hitte, zoals zonlicht, brand of vergelijkbare hittebronnen. (3) De batterij mag NIET worden gedemonteerd of vervangen. Als u vermoedt dat er iets mis is met de batterij, ga dan naar een servicecentrum voor hulp.

## Inschakelen

Druk de multifunctionele toets in en houd deze ongeveer twee seconden ingedrukt om de hoofdtelefoon in te schakelen. De hoofdtelefoon geeft oplopende pieptonen en het groene indicatorlampje gaat kort aan. Wanneer de hoofdtelefoon verbinding probeert te maken met de als laatste gebruikte telefoon of muzikspeler, knippert het rode indicatorlampje langzaam. Wanneer de hoofdtelefoon is aangesloten op een apparaat en klaar is voor gebruik, knippert het blauwe indicatorlampje langzaam. Als de hoofdtelefoon niet aan een apparaat is gekoppeld, wordt automatisch naar de koppelstand geschakeld.

## Uitschakelen

Druk de multifunctionele toets in en houd deze ongeveer drie seconden ingedrukt om de hoofdtelefoon uit te schakelen. De hoofdtelefoon geeft aflopende pieptonen en het rode indicatorlampje gaat kort aan. Als de hoofdtelefoon niet binnen 10 minuten verbinding maakt met een apparaat, wordt deze automatisch uitgeschakeld.

## Koppelen

1. Controleer of de telefoon of muzikspeler is ingeschakeld of aan staat.
2. Om de hoofdtelefoon te koppelen als deze nog niet eerder met het apparaat verbonden is geweest, schakelt u de hoofdtelefoon in. De hoofdtelefoon schakelt naar de koppelstand en de blauwe en rode indicatorlampjes gaan snel knipperen. Om de hoofdtelefoon te koppelen als deze eerder met een ander apparaat gekoppeld was: controleer of de hoofdtelefoon uit staat; druk de multifunctionele toets in en houd deze ongeveer vijf seconden ingedrukt tot de blauwe en rode indicatorlampjes snel gaan knipperen.
3. Activeer de functie *Bluetooth*<sup>®</sup> op de telefoon of muzikspeler en stel deze in om naar *Bluetooth*-apparaten te zoeken.
4. Selecteer op de telefoon of muzikspeler 'Freedom' uit de lijst met gevonden apparaten.
5. Voer indien nodig als wachtwoord **0000** in om te koppelen en verbind de hoofdtelefoon met uw apparaat.

## Het volume instellen

Om het volume van de hoofdtelefoon in te stellen, drukt u tijdens een gesprek of het luisteren naar muziek op de toets voor volume omhoog of volume omlaag. Om het volume snel in te stellen, houdt u een van deze toetsen ingedrukt.

**WAARSCHUWING:** overmatige geluidsdruk van oortelefoons en hoofdtelefoons kan gehoorverlies veroorzaken.

## Telefoongesprekken

Om een telefoongesprek te starten, gebruikt u de telefoon zoals u dit normaal doet, maar nu met de hoofdtelefoon verbonden met het apparaat.

Om de functie 'Op stemgeluid bellen' te activeren (als uw telefoon deze functie ondersteunt met de hoofdtelefoon) als er geen gesprek gaande is, drukt u tweemaal op de multifunctionele toets tot de telefoon begint met bellen; hierna gaat u verder zoals beschreven in de gebruikershandleiding van de telefoon.

Om een telefoongesprek te beëindigen of te beëindigen, drukt u snel op de toets afspelen/pauzeren. Om een gesprek te weigeren, drukt u de toets afspelen/pauzeren in en houdt u deze circa twee seconden ingedrukt.

Om een (lopend) gesprek van de hoofdtelefoon over te schakelen naar de aangesloten telefoon, drukt u de toets afspelen/pauzeren in en houdt u deze circa twee seconden ingedrukt. Om een (lopend) gesprek van de telefoon over te schakelen naar de hoofdtelefoon, drukt u de toets afspelen/pauzeren in en houdt u deze circa twee seconden ingedrukt.

## De hoofdtelefoon loskoppelen

Om de hoofdtelefoon los te koppelen van uw apparaat, schakelt u de hoofdtelefoon uit of ontkoppelt u deze in het *Bluetooth*-menu van uw apparaat.

## De hoofdtelefoon opnieuw aansluiten

Om de hoofdtelefoon aan te sluiten op de telefoon of muzikspeler waarmee u deze voor het laatst hebt gebruikt, schakelt u de hoofdtelefoon in of maakt u de verbinding in het *Bluetooth*-menu van uw apparaat.

## Naar muziek luisteren

Sluit de hoofdtelefoon aan op een compatibele muzikspeler die het A2DP-*Bluetooth*-profiel ondersteunt om naar muziek te luisteren. De beschikbare muziekopties zijn afhankelijk van de muzikspeler.

Als u tijdens het luisteren naar muziek een telefoongesprek ontvangt of initieert, wordt de muziek gepauzeerd tot het gesprek is afgelopen.

Om een nummer af te spelen, selecteert u het betreffende nummer op de muzikspeler en drukt u op de toets afspelen/pauzeren op de iSport<sup>®</sup> Freedom-hoofdtelefoon. Om het afspelen te pauzeren of om verder te gaan met het afspelen van een nummer, drukt u op de toets afspelen/pauzeren.

Om tijdens het afspelen het volgende nummer te selecteren, drukt u snel op de toets Vooruit spoelen. Om het voorgaande nummer te selecteren, drukt u (eenmaal of tweemaal) snel op de toets Achteruit spoelen. Om het huidige nummer snel af te spelen, houdt u een van deze toetsen ingedrukt.

## Instellingen wissen of resetten

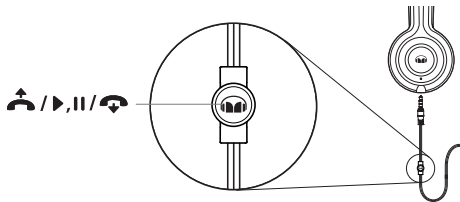
Om de instellingen voor koppelen van de hoofdtelefoon te wissen, schakelt u de hoofdtelefoon uit en drukt u tegelijkertijd (langer dan 8 seconden) op de multifunctionele toets en de toets voor Volume omlaag tot de rode en blauwe indicatorlampjes drie keer afwisselend knipperen.

Om de hoofdtelefoon te resetten, sluit u deze aan op een oplader en drukt u tegelijkertijd op de multifunctionele toets en de toets Volume omhoog.

## Passieve modus

U kunt de iSport<sup>®</sup> Freedom gebruiken als hoofdtelefoon met draad om de batterijen te sparen. Sluit het ene uiteinde van de meegeleverde ControlTalk Universal™-kabel aan de onderzijde van de oorschelp aan en het andere uiteinde op een MP3-speler. Het aansluiten van een geluidskabel schakelt de draadloze functionaliteit uit.

## Gebruik van ControlTalk Universal™



De ControlTalk Universal™ kabelafstandsbediening beschikt over een enkele regelknop en ingebouwde microfoon, zodat u eenvoudig kunt schakelen tussen muziek beluisteren en handsvrij telefoneren.

StEEK het uiteinde van de iSport™ Freedom hoofdtelefoonkabel die zich het dichtst bij de ControlTalk Universal™ bevindt, in de onderkant van de linker oorschelp en het andere uiteinde in de 3,5mm stereoconnector op uw muziekspeeler.

**Een oproep beantwoorden:** Wanneer u een melding krijgt van een binnenkomende oproep, drukt u op de regelknop van ControlTalk Universal™ in en laat los, om te antwoorden.

**Beëindigen van een gesprek:** Op de meeste telefoons dient u de regelknop in te drukken en los te laten. Op sommige telefoons moet u de regelknop indrukken en ingedrukt houden.

**Wachtende oproep gebruiken:** De meeste (maar niet alle) telefoons werken als volgt: Wanneer u gewaarschuwd wordt over een binnenkomende oproep terwijl u al een gesprek voert, dient u de regelknop in te drukken en los te laten om het eerste gesprek in de wachtlijn te zetten en te antwoorden. Druk op de regelknop en laat los om terug naar het eerste gesprek te schakelen. Druk op de regelknop en houd deze ingedrukt om uw huidige gesprek te beëindigen en terug te keren naar het gesprek in de wachtlijn.

**Een song of video afspelen of pauzeren:** Druk op de centrale knop en laat los. Herhalen om te hervatten.

De functionaliteit verschilt volgens toestel. Voor meer informatie over de functionaliteit voor uw toestel, gaat u naar [MonsterProducts.com/mp3/ctuniversalworks.asp](http://MonsterProducts.com/mp3/ctuniversalworks.asp)

## “Indraagtijd” voor hoofdtelefoons

Indraagtijd voor een hoofdtelefoon? We maken zeker een grapje? Nee, dit is geen grap. Hoofdtelefoons zijn, net als elk hoogwaardig product, zoals auto's, mechanische apparaten die tijd nodig hebben om zich naar u te vormen. Uw nieuwe hoofdtelefoon klinkt al fantastisch als u hem net heeft uitgekapt, maar raakt na een tijdje “ingespeeld”, waardoor hij nog beter klinkt. Wij raden een eerste gebruik van 8 uur aan. Na 20 gebruiksuren zou de set helemaal aan u gewend en ingespeeld moeten zijn. Veel plezier!

## BEPERKTE GARANTIE VOOR CONSUMENTEN

Monster, LLC, 7251 West Lake Mead Blvd., Las Vegas, NV 89128, VS. **(N.B.: MONSTER ACCEPTEERT GEEN PRODUCTEN DIE NAAR DIT ADRES VERZONDEN WORDEN – VOLG DE INSTRUCTIES ONDER “EEN CLAIM INDIËNEN”; HIERONDER) (415) 840-2000** (“Monster”) verleent u hierbij deze Beperkte Garantie. Statuair recht of gewoonterecht kan u extra rechten of hulpmiddelen bieden. Deze Beperkte garantie is daarop niet van toepassing.

### BEPALINGEN

Met “**Gepast gebruik**” wordt bedoeld het persoonlijk gebruik van het Product (i) voor persoonlijke doeleinden (in tegenstelling tot commerciële doeleinden), (ii) overeenkomstig alle toepasselijke wetgeving, normen of regels (inclusief, maar niet uitsluitend, bouwkundige normen en elektrische normen), (iii) overeenkomstig de aanbevelingen en/of instructies van de fabrikant zoals aanwezig in de materialen en documentatie die bij dit Product worden geleverd, en (iv) indien van toepassing, voorzien van de juiste elektrische aarding.

Met “**Bevoegde dealer**” wordt bedoeld elke distributeur, wederverkoper of verkoper die (i) rechtmatig bevoegd is om zaken te doen en toestemming heeft gekregen om u het Product te verkopen op grond van de wetgeving in het rechtsgebied waarin u het Product hebt gekocht, die (ii) het Product rechtstreeks bij Monster of bij een partij met een contractuele relatie met Monster en overeenkomstig de bevoegde algemene voorwaarden van een dergelijke overeenkomst heeft gekocht, en die (iii) u het Product nieuw en in de originele verpakking heeft verkocht.

“**Formele garantietafel**” verwijst naar een claim die is ingediend overeenkomstig de paraagraaf “Formele garantietafel” in deze bepalingen.

“**Product**” verwijst naar een Product (i) dat in de onderstaande Specificatietafel is opgenomen, (ii) dat u nieuw en in de originele verpakking bij een Bevoegde dealer hebt gekocht, en (iii) waarvan het serienummer, indien aanwezig, niet verwijderd, aangepast of onleesbaar is gemaakt.

Met “**Productdefect**” of “**Defect product**” wordt een ontorekendheid van het Product bedoeld die aanwezig was ten tijde van uw ontvangst van het Product van een Bevoegde dealer en die leidt tot het falen van het Product om te presteren overeenkomstig documentatie van Monster die bij het Product is geleverd, tenzij dit falen volledig of gedeeltelijk is veroorzaakt door (a) enig ander gebruik dan Gepast gebruik, (b) vervoer, nalatigheid, misbruik of onjuist gebruik door iemand anders dan de medewerkers van Monster; (c) aanpassing, geknoei of wijziging van het product door iemand anders dan een medewerker van Monster; (d) ongeval (anders dan een storing die anders als Productdefect zou worden beschouwd); (e) onderhoud of service van het Product door iemand anders dan door een medewerker van Monster; (f) blootstelling van het Product aan hitte, fel licht, zonlicht, vloeistoffen, zand of andere verontreinigingen; of (g) handelingen die buiten de invloedssfeer van Monster vallen, waaronder, maar niet uitsluitend, overmacht, brand, stormen, aardbevingen of overstromingen.

Met “**Garantieperiode**” wordt bedoeld de periode waarbinnen Monster uw Formele garantietafel dient te hebben ontvangen. De verschillende Garantieperiodes met betrekking tot Productdefecten staan vermeld in de onderstaande Specificatietafel. De Garantieperiode begint op de datum waarop u het Product hebt gekocht bij of ontvangen van een Bevoegde dealer (vulke van de twee zich als laatste voorvoert) zoals blijkt uit de factuur, aankoop of pakbon van de Bevoegde dealer. Wanneer u geen schriftelijk bewijs van uw aankoop of ontvangst hebt, begint de Garantieperiode drie (3) maanden na de datum waarop het Product het magazijn van Monster of de fabriek heeft verlaten zoals blijkt uit de gegevens van Monster. De Garantieperiode eindigt nadat de in de Specificatietafel gedefinieerde periode is vervallen of nadat U de eigenaarsrechten van het Product hebt overgedragen, welke van de twee zich als eerste voorvoert. U dient tevens Monster te bellen en om een Retourautorisatienummer (zoals beschreven onder “Een claim indienen”) te vragen binnen twee (2) maanden nadat u een Productdefect constateert (of geconstateerd zou moeten hebben) wanneer een dergelijk Productdefect duidelijk waarneembaar was).

Met “**U**” wordt bedoeld het eerste individu dat het Product in de originele verpakking bij een Bevoegde dealer heeft gekocht. Deze Beperkte garantie is niet van toepassing op personen of entiteiten die het Product hebben gekocht (i) in een gebruikte staat of niet verpakt, (ii) voor wederverkoop, lease of ander commercieel gebruik, of (iii) van iemand anders dan van een Bevoegde dealer.

### REIKWIJDE VAN DEZE BEPERKTE GARANTIE

**PRODUCTEN.** Wanneer een Product een Productdefect bevatte toen u het hebt gekocht bij een Bevoegde dealer en Monster een Formele garantietafel van U ontvangt (i) binnen twee (2) maanden nadat u dit Productdefect hebt geconstateerd (of geconstateerd zou moeten hebben) wanneer een dergelijk Productdefect duidelijk waarneembaar was en (ii) vóór het einde van de Garantieperiode voor dergelijke Productdefecten, zoals van toepassing op het Defecte product, biedt Monster u één van de volgende oplossingen: (i) reparatie of vervangt, uitsluitend naar eigen goeddunken van Monster, het Defecte product of (2) stort het door u aan Monster of aan de Bevoegde dealer voor het Defecte product betaalde aankoopbedrag terug indien reparatie of vervanging commercieel niet haalbaar is of niet tijdig kan worden uitgevoerd. N.B. MONSTER AANVAARDT, OP GROND VAN DEZE BEPERKTE GARANTIE, IN DIE MATTE DIE DOOR TOEGESPELLIJKE WETGEVING IS TOEGESTAAN, GEEN AANSprakelijkheid VOOR ENIGE INCIDENTELLE SCHADE, GEVOLGSCHADE OF INDIRECTE SCHADE.

### ALGEMENE BEPALINGEN

**RECHTS- EN FORUMKEUZE.** Deze Beperkte garantie en alle geschillen die voortvloeien uit of in verband met deze Beperkte garantie (“Geschillen”), vallen onder de wetten van het rechtsgebied waarin u het Product hebt gekocht.

**OVERIGE RECHTEN.** DEZE BEPERKTE GARANTIE VERLEENT U BEPALDE WETTELIJKE RECHTEN EN U KUNT OOK ANDERE RECHTEN HEBBEN, DIE PER RECHTSGEBIED VERSCHILLEN, EN DIE NIET DOOR DEZE BEPERKTE GARANTIE WORDEN AANGETAST. DEZE GARANTIE IS ALLEEN VAN TOEPASSING OP U EN KAN NIET AAN ANDEREN WORDEN OVERGEDRAGEN OF TOEGEKEND. Indien enige bepaling uit deze Beperkte garantie onwettig, vervallen of niet uitvoerbaar blijkt, geldt de betreffende bepaling als vervallen en is deze niet van invloed op enige resterende bepalingen. In geval van een inconsistentie tussen de Engelstalige en andere versies van deze Beperkte garantie, prevaleert de Engelstalige versie.

**REGISTRATIE.** Geelieve uw Product te registreren op [www.MonsterProducts.com](http://www.MonsterProducts.com). Indien u nalaat het Product te registreren, leidt niet tot inperking van uw garantietafel.

### SPECIFICATIETADEL

Productmodel	Garantieperiode voor Product
Product dat bij deze garantieverklaring hoort	Eén (1) jaar voor producten die in Noord-Amerika, Zuid-Amerika en Pacifisch Azië zijn verkocht Twee (2) jaar voor producten verkocht in Europa

### FORMELE GARANTIETADEL

**EEN CLAIM INDIËNEN.** In geval van een Productdefect dient u deze instructies op te volgen: (1) Bel Monster binnen twee (2) maanden nadat u een Productdefect constateert (of geconstateerd zou moeten hebben) wanneer een dergelijk Productdefect duidelijk waarneembaar was; (2) Leg gedetailleerd uit hoe de schade is ontstaan; (3) Vraag om een Retourautorisatienummer; (4) Stuur het Product terug naar Monster voor controle van de schade, waarbij U de verzendkosten vooruit betaalt (deze worden terugbetaald wanneer U binnen de reikwijdte van deze Beperkte garantie recht hebt op een oplossing) en stuur een kopie van uw originele aankoopbon of bewijs van aankoop (factuur of pakbon) voor het Product mee, evenals het ingevulde claimformulier en een afgedrukt Retourautorisatienummer op de buitenzijde van de retourverpakking (het claimformulier bevat instructies voor de retourzending).

**TELEFOONNUMMERS.** Wanneer u het Product hebt gekocht in de **Vereenigde Staten** (1-877-800-8989), **Latijs-Amerika** (Mexico 011-882-800-8989) of **Pacifisch Azië** (China 400-820-8973) dient u schriftelijk via de post contact op te nemen met Monster, LLC op het volgende adres: 455 Valley Drive, Brisbane, CA 94005 (N.B.: MONSTER ACCEPTEERT GEEN PRODUCTEN DIE NAAR DIT ADRES VERZONDEN WORDEN – VOLG DE INSTRUCTIES ONDER “EEN CLAIM INDIËNEN”; HIERBOVEN). Neem contact op met de vertegenwoordiger van Monster, Convoy International Pty Ltd (02 9700 1111), Unit 1, 780 Botany Rd, Banksmeadow, NSW 2019 Australië, wanneer u het Product in Australië hebt gekocht. Neem, wanneer u het product elders hebt gekocht, contact op met Monster Technology International Ltd., Ballymore Business Park, Gort Road, Ennis, Co. Clare, Ierland. U kunt een van de volgende telefoonnummers bellen:

Vereenigde Staten	1-877-800-8989
Canada	866-348-4171
Mexico	011-882-800-8989
China	400-820-8973

<b>Ierland</b>	353 65 68 69 354
<b>Oostenrijk</b>	0800296482
<b>Belgio</b>	0800-79201
<b>Tsjechie</b>	800-142471
<b>Denemarken</b>	8088-2128
<b>Finland</b>	800-112768
<b>Frankrijk</b>	0800-918201
<b>Duitsland</b>	0800-1819388
<b>Griekenland</b>	08000-353-12008
<b>Italia</b>	800-871-479
<b>Nederland</b>	0800-0228919
<b>Noorwegen</b>	800-10906
<b>Rusland</b>	810-800-20051353
<b>Spanje</b>	900-982-909
<b>Zweden</b>	020-792650
<b>Zwitserland</b>	0800834659
<b>Groot-Brittanni</b>	0800-0569520

**VERDERE PROCEDURES.** Monster stelt vast of er sprake is van een Productdefect. Monster kan, naar eigen goeddunken, U opdracht geven om de geschatte reparatiekosten bij een reparatiecentrum op te vragen. Als wij u om een schatting van de reparatiekosten vragen, ontvang U instructies over hoe u de schatting en de resulterende factuur op de juiste wijze bij Monster voor betaling kunt indienen. Monster behoudt zich het recht voor om over alle reparatiekosten te onderhandelen.

**TUJDPAD.** Wanneer u een Formele garantiereclame indient en alle voorwaarden en bepalingen van deze Beperkte garantie volledig naleeft, zal Monster alles in het werk stellen om u binnen dertig (30) dagen na ontvangst van uw Formele garantiereclame (indien u inwoner van de Verenigde Staten bent; vijftienveertig (45) dagen wanneer u elders woont) een oplossing te voorzien, tenzij belemmeringen buiten de invloedssfeer van Monster het proces vertragen.

\* Onze goederen worden geleverd met garanties die op grond van de Australische consumentenwetgeving niet kunnen worden uitgesloten. U hebt recht op vervanging of restitutie van grote gebreken en op compensatie van alle andere redelijkerwijs voorzienbare verliezen of schade. U hebt tevens recht op reparatie of vervanging van de goederen wanneer de kwaliteit niet acceptabel is, maar het gebrek niet onder de noemer groot gebrek valt.

Ver.121912 - WERELDWJD

©2003-2014 Monster, LLC

## (IT) Consigli importanti su Monster® per la sicurezza e l'utilizzo

### Ascoltare in modo responsabile

Per evitare danni all'udito, assicurarsi di abbassare il volume del riproduttore musicale prima di collegare le cuffie. Dopo aver posizionato le cuffie nelle/sulle orecchie, aumentare gradualmente il volume fino a raggiungere un livello di ascolto confortevole.

I livelli di rumore sono misurati in decibel (dB); l'esposizione a un rumore pari o superiore a 85 dB può comportare la perdita graduale dell'udito.

Controllate l'uso che ne fate: la perdita di udito dipende dal volume e dal tempo di ascolto. Più alto è il volume, minore è il tempo di esposizione possibile. Più basso è il volume, più a lungo può protrarsi l'ascolto.

La tabella in decibel (dB) confronta alcuni dei suoni comuni e indica come possono classificarsi in base al potenziale rischio per l'udito.

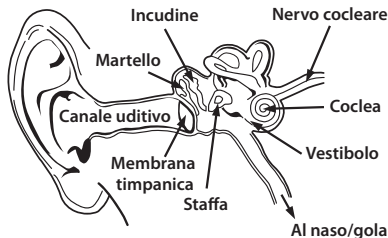
SUONO	LIVELLO DI RUMORE (dB)	EFFETTO
Sussurro	30	Molto basso
Ufficio tranquillo	50-60	Ascolto confortevole livelli entro i 60 dB
Aspirapolvere, Asciugacapelli	70	Intrusivo, interferisce con le conversazioni telefoniche
Mixer	85-90	85 dB è il livello a cui inizia il danno all'udito (8 ore)
Camion dell'immondizia, Betoniera	100	Si raccomanda di non superare i 15 minuti di esposizione non protetta per suoni tra 90-100 dB
Motosega, Trapano/martello pneumatico	110	L'esposizione regolare a suoni oltre i 100 dB per oltre 1 minuto rischia di causare una perdita di udito permanente.
Concerto rock (vari)	110-140	La soglia del dolore inizia intorno a 125 dB

Le informazioni riportate nella tabella sono state ricavate da [www.nidcd.nih.gov/health/education/teachers/pages/common\\_sounds.aspx](http://www.nidcd.nih.gov/health/education/teachers/pages/common_sounds.aspx)

Otteni il massimo dai tuoi dispositivi e godi di un audio eccezionale anche a livelli sicuri. Le nostre cuffie permettono di sentire maggiori dettagli a volumi più bassi che in passato.

Per imparare a comprendere quali sono i livelli di ascolto sicuro ed esaminare altre importanti linee guida della Consumer Electronics Association visitate [www.ce.org](http://www.ce.org). Informazioni importanti sulla prevenzione della sordità da rumore e un elenco completo dei rumori che possono causare danni sono disponibili sul sito Web della Deafness Research Foundation, [www.drff.org](http://www.drff.org).

### Fisiologia dell'orecchio e udito



Per ulteriori informazioni su quello che i rumori forti causano alle vostre orecchie e anche su come proteggerle, leggete [www.abelard.org/hear/hear.php#loud-music](http://www.abelard.org/hear/hear.php#loud-music)

### Utilizzare in modo responsabile

Non utilizzare cuffie quando ciò non è un comportamento sicuro: durante la guida di un veicolo, si va in bicicletta, l'attraversamento di strade, oppure durante attività o in ambienti dove è necessario prestare completa attenzione all'ambiente circostante.

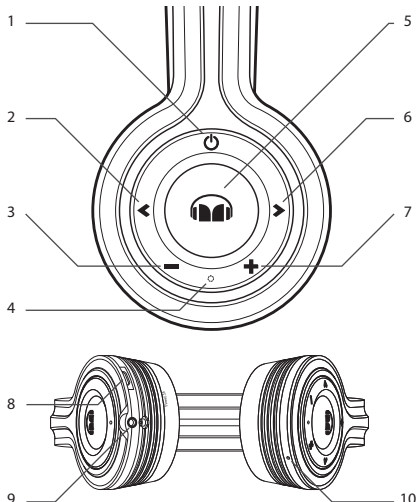
È pericoloso guidare quando si indossano cuffie audio, e in molti posti è anche illegale in quanto ciò riduce le possibilità di udire suoni essenziali per la propria incolumità provenienti dall'esterno dell'abitacolo, come il clacson di un altro veicolo o le sirene dei veicoli di emergenza.

Evitare di indossare cuffie audio durante la guida. Utilizzare invece uno dei trasmettitori FM di Monster per ascoltare i propri dispositivi portatili.

### Pulizia

Pulire gli auricolari con un panno morbido inumidito con una soluzione di sapone neutro.

### Tasti e componenti



L'auricolare è composto dalle seguenti parti:

- |  |  |
|--|--|
| 1. Tasto multifunzione (Power On/Off, Accoppiamento, Attiva composizione vocale) | 5. Tasto Play/Pausa (Rispondi/Termina/Rifuta chiamata) |
| 2. Traccia indietro  | 6. Traccia avanti                                      |
| 3. Diminuisci volume   | 7. Aumenta volume                                      |
| 4. Indicatore ottico (Visibile solo quando acceso)                               | 8. Collegare caricatori                                |
|  | 9. Porta del cavo 3,5 mm                               |
|  | 10. Microfono  |

Prima di utilizzare l'auricolare, è necessario caricare la batteria ed associare l'auricolare a un dispositivo compatibile. Freedom funziona senza una batteria carica quando collegato via cavo al telefono o lettore musicale.

## Caricare la batteria

La cuffia include un cavo micro USB che può essere collegato al computer o altro dispositivo realizzato per la ricarica USB. Inserire l'estremità USB micro del cavo USB in dotazione nel connettore del caricabatterie porta micro USB sotto il l'auricolare sinistro della cuffia. Inserire l'altra estremità in una porta USB sul computer o altri dispositivi realizzati per la ricarica USB. La spia sarà rossa durante la carica. Una volta completamente carica, il LED verde si accende. Il tempo di carica è di 1,5 ore con una batteria scarica. La batteria completamente carica ha un'autonomia fino a 10 ore per parlare e/o ascoltare musica e fino a 100 ore in standby.

**ATTENZIONE:** (1) Si prega di prestare attenzione agli aspetti ambientali dello smaltimento delle batterie. La batteria deve essere riciclata o smaltita correttamente. Questo prodotto non deve essere smaltito insieme ai rifiuti domestici. Questo prodotto deve essere smaltito in un luogo autorizzato per il riciclaggio di apparecchi elettrici ed elettronici. Attraverso la raccolta e il riciclaggio dei rifiuti, si aiutano a salvare le risorse naturali, e assicurarsi che il prodotto sia smaltito in un modo rispettoso e sano per l'ambiente. (2) Le batterie (batteria singola o batterie installate) non devono essere esposte a calore eccessivo, come luce solare, fuoco o simili. (3) NON smontare o sostituire la batteria. Se si sospetta che ci sia qualcosa che non va con la batteria, si prega di portare l'apparecchio al centro di assistenza per un aiuto.

## Accensione

Per accendere, premere e tenere premuto il tasto multifunzione circa due secondi. L'auricolare emette un cicalino dai toni ascendenti, e l'indicatore luminoso verde viene visualizzato brevemente. Quando l'auricolare tenta di connettersi all'ultimo telefono cellulare o lettore musicale utilizzato, l'indicatore luminoso rosso lampeggia lentamente. Quando l'auricolare è connesso a un dispositivo ed è pronto per l'uso, l'indicatore luminoso blu lampeggia lentamente. Se l'auricolare non è stato associato ad un dispositivo, esso entra automaticamente in modalità di accoppiamento.

## Spegnimento

Per spegnere, tenere premuto il tasto multifunzione per circa tre secondi. L'auricolare emette un cicalino dai toni discendenti, e la luce rossa viene visualizzato brevemente. Se l'auricolare non è connesso a un dispositivo entro 10 minuti, si spegne automaticamente.

## Accoppiamento

1. Accertarsi che il telefono cellulare o il lettore musicale sia acceso.
2. Per accoppiare l'auricolare se non è stato precedentemente associato a un dispositivo, accendere l'auricolare. L'auricolare entra in modalità di accoppiamento e l'indicatore luminoso blu e rosso inizia a lampeggiare velocemente. Per accoppiare l'auricolare se è stato associato in precedenza a un altro dispositivo, accertarsi che l'auricolare sia spento e tenere premuto il tasto multifunzione (per circa cinque secondi) fino a quando l'indicatore luminoso blu e rosso inizia a lampeggiare velocemente.
3. Attivare la funzione *Bluetooth*® sul telefono cellulare o lettore musicale, e impostare la ricerca dei dispositivi *Bluetooth*.

4. Selezionare "**Freedom**" dall'elenco dei dispositivi trovati sul telefono cellulare o lettore musicale.
5. Se necessario, immettere il codice di accesso **0000** per associare e connettere l'auricolare al dispositivo.

## Regolare il volume

Per regolare il volume dell'auricolare, premere il tasto volume su o giù durante una chiamata o mentre si ascolta la musica. Per regolare rapidamente il volume, tenere premuto uno dei due tasti.

**ATTENZIONE:** Un'eccessiva pressione sonora da auricolari e cuffie può causare la perdita dell'udito.

## Chiamate

Per effettuare una chiamata, utilizzare il telefono cellulare in modo normale quando l'auricolare è collegato ad esso.

Per attivare la composizione vocale (se il telefono supporta questa funzionalità con l'auricolare), quando non vi sono chiamate in corso, premere il tasto multifunzione due volte velocemente fino a quando il telefono inizia la composizione vocale, e il processo come descritto nel manuale d'uso del telefono.

Per rispondere o terminare una chiamata, premere rapidamente il tasto play/pausa. Per rifiutare una chiamata, tenere premuto il tasto play/pausa per circa due secondi.

Per passare una chiamata (in corso) dalla cuffia al telefono connesso, tenere premuto il tasto play/pausa per circa due secondi. Per passare una chiamata (in corso) dal telefono all'auricolare, tenere premuto il tasto play/pausa per circa due secondi.

## Scollegare le cuffie

Per disconnettere l'auricolare dal dispositivo, spegnere l'auricolare o disconnetterlo nel menu *Bluetooth* del dispositivo.

## Riccollegare la cuffia

Per collegare l'auricolare al telefono cellulare o lettore musicale che avete utilizzato per ultimo con esso, accendere l'auricolare, oppure effettuare la connessione nel menu *Bluetooth* del dispositivo.

## Ascoltare musica

Per ascoltare la musica, collegare l'auricolare al lettore musicale compatibile che supporti il profilo *Bluetooth* A2DP. Le funzioni musicali disponibili dipendono dal lettore musicale.

Se si riceve o si effettua una chiamata mentre si ascolta la musica, la musica viene messa in pausa fino a quando la chiamata termina.

Per riprodurre un brano, selezionare nel lettore musicale e premere il tasto play/pausa sull'auricolare iSport® Freedom. Per mettere in pausa o riprendere la riproduzione di un brano, premere il tasto play/pausa.

Per selezionare il brano successivo durante la riproduzione, premere il tasto traccia avanti rapidamente. Per selezionare il brano precedente, premere il tasto traccia indietro (una o due volte) rapidamente. Per scorrere rapidamente il brano corrente, tenere premuto uno dei due tasti.

## Annullamento o ripristino

Per annullare le impostazioni di accoppiamento dall'auricolare, spegnere l'auricolare e tenere premuto il tasto multifunzione e il tasto diminuisci volume (per oltre otto secondi) fino a quando le spie rosse e blu si alternano tre volte.

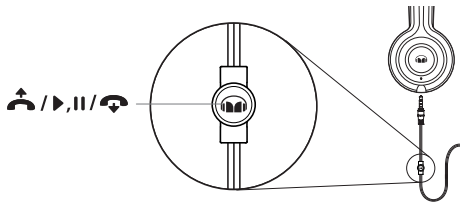
Per reimpostare l'auricolare, collegare l'auricolare a un caricabatterie e premere sia il tasto aumenta volume che il tasto multifunzione.

## Modalità passiva

È possibile utilizzare iSport® Freedom come una cuffia cablata per risparmiare le batterie. È sufficiente collegare un'estremità del cavo ControlTalk Universal™ in dotazione alla parte inferiore dell'auricolare e l'altra al vostro lettore MP3. L'inserimento di un cavo audio disattiva la funzionalità wireless.



## Utilizzo di ControlTalk Universal™



Il dispositivo ControlTalk Universal™ integrato nel cavo è provvisto di un unico pulsante di controllo e di microfono integrato, che consentono di passare comodamente dalla modalità musica alla modalità chiamata senza l'utilizzo delle mani.

Per collegarlo, inserire l'estremità del cavo delle cuffie iSport® Freedom™ più vicino al ControlTalk Universal™ nella parte inferiore del padiglione auricolare sinistro, e l'altra estremità dell'ingresso stereo da 3,5 mm sul lettore musicale.

**Rispondere a una chiamata:** Quando si attiva l'avviso di chiamata in arrivo, premere e rilasciare il pulsante di controllo di ControlTalk Universal™ per rispondere.

**Terminare una chiamata:** Sulla maggior parte dei telefoni, premere e rilasciare il pulsante di controllo. Su alcuni telefoni occorre tenere premuto il pulsante di controllo.

**Utilizzo della funzione chiamata in attesa:** La maggior parte (ma non tutti) i telefoni cellulari funziona in questo modo: Se si attiva l'avviso di chiamata in arrivo quando si è già impegnati in una chiamata, premere e rilasciare il pulsante di controllo di ControlTalk Universal™ per rispondere e mettere la prima telefonata in attesa. Premere e rilasciare il pulsante di controllo per tornare alla prima chiamata. Tenere premuto il pulsante di controllo per terminare la chiamata in corso e tornare alla chiamata in attesa.

**Riprodurre o mettere in pausa una canzone o un video:** Premere e rilasciare il pulsante centrale. Premere di nuovo per riprendere.

Le funzionalità possono variare a seconda del dispositivo. Per maggiori informazioni sulle funzionalità del dispositivo, visitare il sito [MonsterProducts.com/mp3/ctuniversalworks.asp](http://MonsterProducts.com/mp3/ctuniversalworks.asp)

## “Rodaggio” delle cuffie

Periodo di rodaggio per le cuffie? Scherziamo, vero? No, non scherziamo affatto! Qualsiasi prodotto ad alte prestazioni, sia che parliamo di automobili che di cuffie, è un dispositivo meccanico che si stabilizza con l'uso. Le vostre nuove cuffie avranno un suono incredibile appena tolte dalla confezione, ma si “ammorbidiranno” con l'uso, offrendo sonorità ancora migliori. Raccomandiamo pertanto di usarle per almeno 8 ore. Dopo 20 ore di ascolto, dovrebbero essere completamente rodiate. Buon divertimento.

## GARANZIA LIMITATA PER I CONSUMATORI

Monster, LLC, 7251 West Lake Mead Blvd., Las Vegas, NV 89128, USA, **(SI RICORDA CHE MONSTER NON ACCETTA PRODOTTI SPEDITI A QUESTO INDIRIZZO - SEGUIRE LE ISTRUZIONI INDICATE IN “COME FARE UNA RICHIESTA” SOTTO) +1 (415) 840-2000** (“Monster”) offre al Cliente la presente Garanzia Limitata. La legge o il common law potrebbero fornire al Cliente ulteriori diritti o tutele che non sono influenzati dalla presente Garanzia Limitata.

### DEFINIZIONI

“**Uso adeguato**” indica l'uso personale del Prodotto (i) per scopi privati (opposti a scopi commerciali), (ii) in conformità con tutte le leggi, codici o regolamenti vigenti (inclusi, senza limitazione, codici edilizi e/o elettrici), (iii) in conformità con le raccomandazioni del produttore e/o le istruzioni contenute nei materiali e nella documentazione di accompagnamento del Prodotto e,

(iv) se applicabile, provvisto di idonea messa a terra elettrica.

“**Rivenditore autorizzato**” indica qualsiasi distributore, rivenditore o venditore al dettaglio che (i) è stato debitamente autorizzato a svolgere la propria attività e che è in possesso dei permessi di vendita del Prodotto al Cliente in base alle leggi della giurisdizione di acquisto del Prodotto, (ii) ha acquistato il Prodotto direttamente da Monster o da una parte avente un rapporto contrattuale con Monster e in conformità con i termini e le condizioni autorizzati di tale contratto e (iii) ha venduto al Cliente il Prodotto nuovo e nella sua confezione originale.

“**Richiesta formale di assistenza in garanzia**” indica una richiesta presentata in conformità con la sezione “Richieste formali di assistenza in garanzia” del presente documento.

“**Prodotto**” indica un Prodotto (i) elencato nella Tabella delle specifiche di seguito, (ii) che il Cliente ha acquistato nuovo e nella sua confezione originale da un Rivenditore autorizzato e (iii) il cui numero di serie, se presente, non è stato rimosso, alterato o reso illeggibile.

“**Defetto del prodotto**” o “**Prodotto difettoso**” indica un'inadeguatezza del Prodotto esistente al momento della ricezione del prodotto da parte del Cliente da un Rivenditore autorizzato e che comporta il mancato funzionamento del prodotto in conformità con la documentazione di accompagnamento del prodotto Monster, a meno che tale mancanza sia stata causata in tutto o in parte da (a) qualsiasi uso diverso dall'uso adeguato, (b) trasporto, negligenza, uso improprio o abuso da parte di soggetti diversi dai dipendenti Monster, (c) alterazione, manomissione o modifica del prodotto da parte di soggetti diversi dai dipendenti Monster, (d) incidente (diverso da un malfunzionamento che altrimenti si qualificerebbe come un Difetto del prodotto), (e) manutenzione o riparazione del Prodotto da parte di soggetti diversi dai dipendenti Monster, (f) l'esposizione del prodotto a calore, luce, sole, liquidi, sabbia o altre sostanze contaminanti, o (g) atti al di fuori del controllo di Monster, compresi, senza limitazioni cause di forza maggiore, incendi, temporali, terremoti o alluvioni.

“**Periodo di garanzia**” indica il periodo di tempo durante il quale Monster deve aver ricevuto la Richiesta formale di assistenza in garanzia da parte del Cliente. I diversi Periodi di garanzia relativi ai Difetti del prodotto sono definiti nella Tabella delle specifiche di seguito.

Il Periodo di garanzia decorre dalla data di acquisto o ricezione (a seconda della condizione che si verifica per ultima) del Prodotto da parte del Cliente da un Rivenditore autorizzato, come indicato dalla fattura, scontrino o distinta di imballaggio del Rivenditore autorizzato. Se il Cliente non possiede una prova scritta della data di acquisto o di ricezione, in tal caso il Periodo di garanzia decorre a partire da tre (3) mesi dopo la data in cui il Prodotto ha lasciato Monster o lo stabilimento Monster come comprovato dalle registrazioni di Monster. Il Periodo di garanzia termina allo scadere del periodo di tempo indicato nella Tabella delle specifiche o dopo che il Cliente ha ceduto la proprietà del Prodotto, a seconda della condizione che si verificherà per prima. Inoltre, il Cliente deve contattare Monster e ottenere un Numero di autorizzazione del reso (come descritto nel capitolo “Come effettuare un reclamo”) entro due (2) mesi dalla scoperta del Difetto del Prodotto (o dalla data in cui lo si sarebbe dovuto scoprire, se evidente).

“**Cliente**” indica il primo cliente individuale che ha acquistato il Prodotto nella sua confezione originale da un Rivenditore autorizzato. La presente Garanzia limitata non si applica a persone fisiche o giuridiche che hanno acquistato il Prodotto (i) usato o non imballato nella confezione originale, (ii) per la rivendita, locazione o altro uso commerciale o (iii) da un soggetto terzo che non è un Rivenditore autorizzato.

### AMBITO DI APPLICAZIONE DELLA PRESENTE GARANZIA LIMITATA

**PRODOTTI.** Se un Prodotto presentava un difetto al momento dell'acquisto da parte del Cliente presso un Rivenditore autorizzato, e se Monster riceve una Richiesta formale di assistenza in garanzia dal Cliente (i) entro due (2) mesi dalla scoperta di tale difetto (o dalla data in cui lo si sarebbe dovuto scoprire, se evidente) ed (ii) entro il termine di scadenza del Periodo di Garanzia per Difetti del prodotto applicabili al Prodotto difettoso, in tal caso Monster fornirà al Cliente una delle seguenti soluzioni: Monster (1) riparerà oppure, a discrezione esclusiva di Monster, sostituirà il Prodotto difettoso, o (2) rimborserà al Cliente il prezzo di acquisto corrisposto a Monster o al Rivenditore autorizzato per il Prodotto difettoso, qualora la riparazione o la sostituzione non sia commercialmente praticabile o realizzabile entro tempi ragionevoli. **NOTA: NELLA MISURA MASSIMA CONSENTITA DALLA LEGGE VIGENTE, MONSTER NON SI ASSUME ALCUNA RESPONSABILITÀ PER QUALSIASI DANNO INCIDENTALE, CONSEGUENZIALE O INDIRETTO IN BASE ALLA PRESENTE GARANZIA LIMITATA.**

### DISPOSIZIONI GENERALI

**SCELTA DI LEGGE/GIURISDIZIONE.** La presente Garanzia limitata e le eventuali controversie derivanti da o in connessione con la presente Garanzia limitata (“Controvversie”) sono disciplinate dalle leggi della giurisdizione dove è stato acquistato il Prodotto.

**ALTRI DIRITTI.** LA PRESENTE GARANZIA LIMITATA CONFERISCE AL CLIENTE SPECIFICI DIRITTI, E POTREBBERO ESSERCI ANCHE ALTRI DIRITTI CHE VARIANO DA GIURISDIZIONE A GIURISDIZIONE, E CHE NON SONO INFLUENZATI DA QUESTA GARANZIA LIMITATA. LA GARANZIA È VALIDA SOLO PER IL CLIENTE E NON PUÒ ESSERE TRASFERITA O CEDUTA. Se una qualsiasi disposizione della presente Garanzia limitata è illegale, nulla o inapplicabile, tale disposizione sarà considerata divisibile dalle disposizioni rimanenti e non influenzerà la validità. In caso di incompatibilità tra la versione inglese e le altre versioni della presente Garanzia limitata, la versione inglese sarà prevalente.

**REGISTRAZIONE.** Invitiamo il Cliente a registrare il proprio Prodotto su [www.MonsterProducts.com](http://www.MonsterProducts.com). La mancata registrazione non diminuisce i diritti di garanzia del Cliente.

### TABELLA ILLUSTRATIVA

Modello del Prodotto	Periodo di garanzia del Prodotto
Prodotto che accompagna la seguente dichiarazione di garanzia	Un (1) anno per prodotti venduti in Nord America, Sud America e Asia-Pacifico Due (2) anni per i prodotti venduti in Europa

### RICHIESTA FORMALE DI GARANZIA

COME PRESENTARE UNA RICHIESTA. In caso di difetto del prodotto, il Cliente deve attendersi alle seguenti istruzioni: (1) Contattare Monster entro due (2) mesi dalla scoperta del difetto (o dalla data in cui lo si sarebbe dovuto scoprire, se evidente), (2) Fornire una spiegazione dettagliata di come si è verificato il danno, (3) Ottenere un Numero di autorizzazione del reso, (4) Restituire il Prodotto, con spese di spedizione anticipate dal Cliente (che verranno rimborsate se si avrà diritto a un rimedia nell'ambito di applicazione della presente Garanzia limitata), a Monster per la verifica del danno, insieme a una copia della ricevuta di acquisto originale o la prova d'acquisto (fattura o distinta di imballaggio) per tale Prodotto, il modulo di richiesta compilato e, infine, scriverne in stampatello il Numero di autorizzazione del reso all'esterno dell'imballaggio di restituzione (il modulo di richiesta includerà le istruzioni per la restituzione).



**NUMERI DI TELEFONO.** Se il Prodotto è stato acquistato negli **Stati Uniti** (1-877-800-8989), **América Latina** (Messico 011-882-800-8989) o in **Asia-Pacifico** (Cina 400-820-8973), contattare Monster, LLC tramite posta all'indirizzo 455 Valley Drive, Brisbane, CA 94005, USA (SI PREGA DI NOTARE CHE MONSTER NON ACCETTA PRODOTTI SPEDITI A QUESTO INDIRIZZO - SEGUIRE LE ISTRUZIONI INDICATE NELLA SEZIONE PRECEDENTE "COME EFFETTUARE UN RECLAMO"). Se il Prodotto è stato acquistato in Australia, contattare l'agente di Monster, Convoy International Pty Ltd (02 9700 0111), Unit 7, 1801 Botany Rd, Banksmeadow, NSW 2019 Australia. Se il prodotto è stato acquistato in qualsiasi altro luogo, contattare Monster Technology International Ltd., Ballymally Business Park, Gort Road, Ennis, Co. Clare, Irlanda. È possibile utilizzare uno dei seguenti numeri di telefono:

<b>Stati Uniti</b>	1-877-800-8989
<b>Canada</b>	866-348-4171
<b>Messico</b>	011-882-800-8989
<b>Cina</b>	400-820-8973
<b>Irlanda</b>	353 65 68 69 354
<b>Austria</b>	0800296482
<b>Belgio</b>	0800-79201
<b>Repubblica Ceca</b>	800-142471
<b>Danimarca</b>	8088-2128
<b>Finlandia</b>	800-112768
<b>Francia</b>	0800-918201
<b>Germania</b>	0800-1819388
<b>Grecia</b>	00800-353-12008
<b>Italia</b>	800-871-479
<b>Paesi Bassi</b>	0800-0228919
<b>Norvegia</b>	800-10906
<b>Russia</b>	810-800-20051353
<b>Spagna</b>	900-982-909
<b>Svezia</b>	020-792650
<b>Svizzera</b>	0800834659
<b>Regno Unito</b>	0800-0569520

**ULTERIORI PROCEDIMENTI.** Monster stabilirà l'esistenza del Difetto del prodotto. Monster potrebbe, a sua discrezione, fornire indicazioni al Cliente per ottenere un preventivo di riparazione presso un centro di assistenza. Qualora sia necessario un preventivo di riparazione, verrà indicato al Cliente come presentare correttamente il preventivo e la risulta risultante a Monster per il pagamento. Tutte le spese di riparazione possono essere negoziate da Monster.

**TEMPISTICHE.** Se il Cliente avanza una Richiesta formale di assistenza in garanzia nel pieno rispetto di tutti i termini e delle condizioni della presente Garanzia limitata, Monster compirà tutti gli sforzi possibili per fornire al Cliente un rimedio entro trenta (30) giorni dal ricevimento della Richiesta formale di assistenza in garanzia (se il Cliente risiede negli Stati Uniti, entro quarantacinque (45) giorni se si risiede altrove), fatti salvi casi di ritardi procedurali dovuti a impedimenti non dipendenti dal controllo di Monster.

\* I nostri prodotti sono forniti con garanzie che non possono essere escluse ai sensi della legge australiana per i consumatori. Il Cliente ha diritto ad una sostituzione o un rimborso in caso di grave malfunzionamento e a un indennizzo per qualsiasi altra perdita o danno ragionevolmente prevedibile. Il Cliente ha inoltre diritto alla riparazione o alla sostituzione dei prodotti, qualora la merce non sia di qualità accettabile e il malfunzionamento non costituisca un grave malfunzionamento.

Ver.121912 - GLOBALE

©2003-2014 Monster, LLC

Esta tabela de decibéis (dB) compara alguns sons comuns e mostra como se posicionam no que diz respeito a potenciais danos auditivos.

SOM	NÍVEL DE RÚIDO (dB)	EFEITO
Sussurro	30	Muito silencioso
Escritório Tranquilo	50-60	Os níveis confortáveis de audição são abaixo dos 60 dB
Aspirador, Secador de cabelo	70	Intrusivo; interfere com as conversações telefónicas
Misturadora	85-90	85 dB é o nível a que os danos auditivos (8 hrs.) começam
Camião do Lixo, Misturador de Cimento	100	Não mais de 15 minutos de exposição desprotegida recomendada para sons entre 90-100 dB
Moto-serra, Broca/Martelo Pneumático	110	Exposição regular a som acima dos 100 dB de mais de 1 minuto corre o risco de perda de audição definitiva
Concerto de Rock (varia)	110-140	O limiar da dor começa por volta dos 125 dB

A informação do quadro em [www.nidcd.nih.gov/health/education/teachers/pages/common\\_sounds.aspx](http://www.nidcd.nih.gov/health/education/teachers/pages/common_sounds.aspx)

Tire o melhor partido do seu equipamento e desfrute de excelente desempenho áudio mesmo a níveis de segurança. Os nossos auscultadores irão permitir-lhe ouvir mais detalhes a níveis de volume mais baixo mais do que nunca.

Saiba como estabelecer um nível de audição seguro e reveja outras instruções de segurança importantes na Associação de Consumidor de Electrónica em [www.ce.org](http://www.ce.org). Informação sobre como prevenir Perda de Audição Provocada pelo Ruído (NIHL) e uma vasta lista de que ruídos podem causar danos pode ser encontrada em no website da Deafness Research Foundation, [www.drif.org](http://www.drif.org).

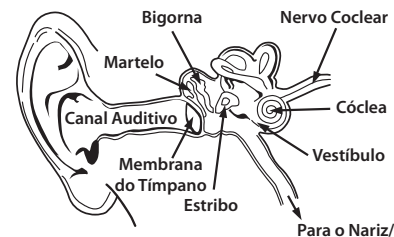
## (PT) Desempenho e Dicas de Segurança Monster® Importantes Responsabilidade ao Ouvir

Para evitar danos auditivos, certifique-se de que o volume no seu leitor de música está baixo antes de ligar os auscultadores. Depois de colocar os auscultadores sobre ou nos ouvidos, aumente gradualmente o volume até alcançar um nível de audição confortável.

Os níveis de ruído são medidos em decibéis (dB), exposição a qualquer ruído a ou acima dos 85 dB pode provocar perda de audição gradual.

Supervisione a sua utilização; a perda de audição é uma função de volume versus tempo. Quanto mais alto estiver, menos tempo pode estar exposto a ele. Quanto mais suave estiver mais tempo poderá ouvir.

## Fisiologia do Ouvido e da Audição



Para mais informações sobre os perigos do ruído excessivo para os seus ouvidos e sobre como proteger os seus ouvidos, visite [www.abelard.org/hear/hear.php#loud-music](http://www.abelard.org/hear/hear.php#loud-music)

## Responsabilidade ao Utilizar

Não utilize os auscultadores quando não é seguro fazê-lo— enquanto conduzir um veículo, andar de bicicleta, atravessar uma estrada, ou durante qualquer atividade ou num ambiente que o rodeia onde é necessária a sua total atenção.

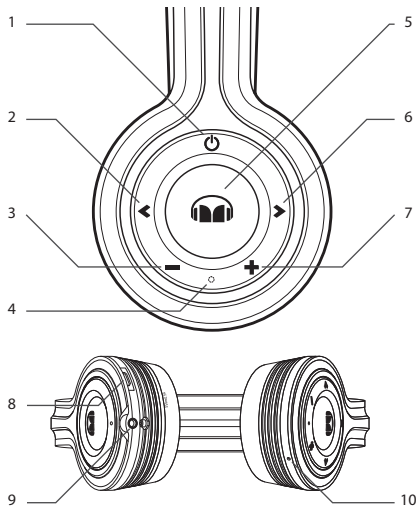
É perigoso conduzir enquanto utiliza os auscultadores, e em muitos locais, ilegal porque diminui as suas hipóteses de ouvir sons fora do veículo que podem salvar a sua vida, tais como a buzina de outro veículo e sirenes de veículos de emergência.

Por favor, evite utilizar auscultadores enquanto conduz. Utilize antes um dos transmissores FM Monster para ouvir dispositivos média móveis.

## Limpeza

Limpe os auscultadores com um pano macio humedecido numa solução de sabão suave.

## Botões e peças



Os auscultadores são constituídos pelas seguintes peças:

- |  |   |
|--|---|
| 1. Botão multifunções (On/Off, emparelhamento, ativação de marcação por voz) | 5. Reproduzir/Pausa (Atender/Terminar/Rejeitar a Chamada) |
| 2. Faixa anterior  | 6. Faixa seguinte   |
| 3. Reduzir volume  | 7. Aumentar volume  |
| 4. Indicador luminoso (Visível apenas quando ligado)                         | 8. Ligaçao de carregador                                  |
|  | 9. Porta de cabo de 3,5 mm                                |
|  | 10. Microfone   |

Antes de utilizar os auscultadores, é necessário carregar a bateria e emparelhar os auscultadores com um dispositivo compatível. Os auscultadores Freedom funcionam mesmo com a bateria descarregada se estiverem ligados por cabo ao telefone ou dispositivo.

## Carregar a bateria

Os auscultadores incluem um cabo Micro USB para ligar ao seu computador ou outro dispositivo compatível com carregador USB. Ligue a extremidade Micro USB do cabo incluído na porta Micro USB do carregador na parte inferior do auscultador esquerdo. Ligue a outra extremidade a uma porta USB do seu computador ou outros dispositivos com carregamento via USB. O indicador luminoso fica vermelho durante o carregamento. Quando estiver totalmente carregado, o indicador LED fica verde. Tempo de carregamento 1,5 horas com uma bateria vazia. A bateria totalmente carregada permite uma utilização de até 10 horas de conversa/reprodução de música e até 100 horas em modo espera.

**AVISO:** (1) Ter em conta as considerações ambientais aquando da eliminação da bateria. A bateria deverá ser reciclada ou eliminada de forma adequada. Este produto não deverá ser eliminado juntamente com o lixo doméstico. Este produto deverá ser depositado num local autorizado de reciclagem de dispositivos elétricos e eletrónicos. Ao reunir e reciclar resíduos, está a ajudar a poupar recursos naturais, bem como certificar-se que o produto é eliminado de forma que não representa perigo nem para o ambiente nem para a saúde. (2) As baterias (externas ou instaladas) não devem ser expostas ao calor excessivo, como por exemplo a luz solar, fogo, ou semelhante. (3) NÃO desmontar ou substituir a bateria. Se achar que existe um problema com a bateria, leve a unidade ao serviço de apoio e solicite ajuda.

## Ligar

Para ligar, pressione e mantenha premido o botão multifunções durante dois segundos. Os auscultadores emitem um tom ascendente, e o indicador verde é exibido por breves instantes. Quando os auscultadores tentam ligar-se ao telemóvel ou dispositivo utilizado pela última vez, o indicador vermelho emite um sinal luminoso intermitente lento. Quando os auscultadores estiverem ligados a um dispositivo e estiverem prontos a ser utilizados, o indicador azul emite um sinal luminoso intermitente lento. Se os auscultadores não estiverem emparelhados com o dispositivo, entra automaticamente em modo de emparelhamento.

## Desligar

Para desligar, pressione e mantenha premido o botão multifunções durante três segundos. Os auscultadores emitem um tom descendente, e o indicador vermelho é exibido por breves instantes. Se após 10 minutos os auscultadores não forem ligados a um dispositivo, desligam-se automaticamente.

## Emparelhamento

1. Certifique-se que o seu telemóvel ou dispositivo está ligado.
2. Para emparelhar os auscultadores pela primeira vez, ligue os auscultadores. Os auscultadores entram em modo de emparelhamento, o indicador luminoso azul e vermelho começa a piscar rapidamente. Para emparelhar os auscultadores se já tiverem sido anteriormente emparelhados com outro dispositivo, certifique-se que os auscultadores estão desligados, pressione e mantenha premido o botão multifunções (durante cerca de cinco segundos) até o indicador luminoso azul e vermelho começar a piscar rapidamente.
3. Ligar o modo *Bluetooth*<sup>®</sup> no seu telemóvel ou dispositivo, coloque o mesmo e modo procurar dispositivos *Bluetooth*.
4. Seleccione "**Freedom**" na lista de dispositivos encontrados no seu telemóvel ou dispositivo.
5. Se necessário, introduza a palavra-passe **0000** para emparelhar e ligar os auscultadores ao seu dispositivo.

## Ajustar o Volume

Para ajustar o volume dos auscultadores, pressione o botão aumentar/diminuir volume durante uma chamada ou durante a reprodução de música. Para ajustar rapidamente o volume, pressione e mantenha premido qualquer um dos botões.

**AVISO:** A pressão sonora excessiva dos auscultadores pode causar perda de audição.

## Chamadas

Para fazer uma chamada, utilize o seu telemóvel normalmente com os auscultadores ligados ao mesmo.

Para ativar a marcação por voz (caso o seu telemóvel suportar esta funcionalidade com auscultadores), e sem estar numa chamada, pressione o botão multifunções duas vezes seguidas até que o telemóvel comece a realizar a marcação e sigas as instruções que constam do manual do seu telemóvel.

Para atender ou terminar uma chamada, pressione rapidamente o botão de reprodução/pausa. Para rejeitar uma chamada, pressione e mantenha pressionado o botão reprodução/pausa durante aproximadamente dois segundos.

Para mudar uma chamada (a decorrer) dos auscultadores para o telemóvel ligado, pressione e mantenha pressionado o botão reprodução/pausa durante cerca de dois segundos. Para mudar uma chamada (a decorrer) do telemóvel para os auscultadores, pressione e mantenha pressionado o botão reprodução/pausa durante cerca de dois segundos.

## Desligar os auscultadores

Para desligar os auscultadores do seu dispositivo, desligue os auscultadores, ou desligue os mesmos no menu do modo *Bluetooth* do seu dispositivo.

## Ligar novamente os auscultadores

Para ligar os auscultadores ao telemóvel ou dispositivo que utilizou anteriormente, ligue os auscultadores, ou estabeleça a ligação no menu do modo *Bluetooth* do seu dispositivo.

## Ouvir música

Para ouvir música, ligue os auscultadores a um dispositivo compatível com perfil *Bluetooth* A2DP. As funções de reprodução de música disponíveis dependem do dispositivo utilizado para reproduzir a música.

Se receber ou realizar uma chamada enquanto estiver a ouvir música, a música é interrompida (pausa) até terminar a chamada.

Para reproduzir música, selecionar a faixa no dispositivo e pressione reproduzir/pausa nos auscultadores iSport® Freedom. Para fazer uma pausa ou retomar a reprodução, pressione o botão reproduzir/pausa.

Para selecionar a faixa seguinte durante a reprodução, pressione o botão faixa seguinte rapidamente. Para selecionar a faixa anterior, pressione o botão faixa anterior (uma ou duas vezes) rapidamente. Para avançar ou recuar na mesma faixa rapidamente, pressione e mantenha premido qualquer um dos botões.

## Eliminar ou repor definições

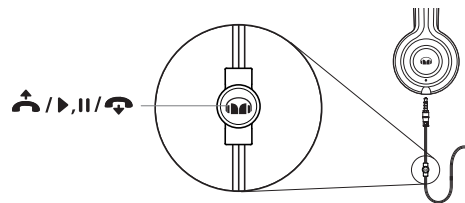
Para eliminar as definições de emparelhamento dos auscultadores, desligue os auscultadores, pressione e mantenha pressionados simultaneamente o botões de multifunções e reduzir volume (durante cerca de oito segundos) até que o indicador azul e vermelho piscar alternadamente três vezes.

Para repor as definições dos auscultadores, ligue os auscultadores a um carregador e pressione simultaneamente o botão de multifunções e aumentar o volume.

## Modo passivo

Os auscultadores iSport® Freedom podem ser utilizados com fio para poupar bateria. Basta ligar uma extremidade do cabo universal ControlTalk Universal™ a parte inferior do auscultador e a outra ao seu dispositivo MP3. Ao inserir o cabo de áudio, desativa automaticamente a função sem-fios.

## Usar o ControlTalk Universal™



O controlo remoto, ControlTalk Universal™, integrado no cabo tem um único botão de controlo e um microfone incorporado, permitindo-lhe alternar facilmente entre ouvir música e falar no seu telemóvel com as mãos livres.

Para ligar, ligue a ficha do cabo dos auscultadores iSport® Freedom que está mais próxima do ControlTalk Universal™ a parte inferior do auscultador esquerdo e a outra ficha à tomada de 3,5 mm no seu leitor de música estéreo.

**Atender uma chamada:** Quando receber uma chamada, prima e solte o botão de controlo do ControlTalk Universal™ para atender.

**Terminar uma chamada:** Na maioria dos telemóveis, prima e solte o botão de controlo. Em alguns modelos é necessário premir e segurar o botão de controlo.

**Usar a chamada em espera:** A maioria dos telemóveis (mas não todos) funciona da seguinte forma: Quando é alertado de que está a receber uma chamada, quando está noutra chamada, prima e solte o botão de controlo para a atender e colocar a primeira chamada em espera. Prima e solte o botão de controlo para regressar à primeira chamada. Prima e segure o botão de controlo para terminar a chamada atual e regressar à chamada em espera.

**Reproduzir uma música ou um vídeo ou colocar em pausa:** Prima e solte o botão do meio. Repita para continuar.

A funcionalidade varia mediante o dispositivo. Para mais informações sobre o funcionamento do seu dispositivo, consulte [MonsterProducts.com/mp3/ctuniversalworks.asp](http://MonsterProducts.com/mp3/ctuniversalworks.asp)

## Tempo de habituação (“break-in”) dos auscultadores

Tempo de habituação para auscultadores? Estamos a brincar, certo? Não, não estamos. Como qualquer outro produto de alto desempenho, quer seja um carro ou uns auscultadores, são aparelhos mecânicos que se estabelecem como serão utilizados. Os seus novos auscultadores irão soar incrivelmente, mas irão suavizar com a utilização e soar ainda melhor. Recomendamos que os utilize durante 8 horas. Após 20 horas de utilização, deverão estar totalmente habituados. Desfrute.

## GARANTIA LIMITADA PARA CONSUMIDORES

A Monster, LLC, 7251 West Lake Mead Blvd., Las Vegas, NV 89128, USA. [NOTE QUE A MONSTER NÃO ACEITA PRODUTOS ENVUJADOS PARA ESTA MORADA – SIGA AS INSTRUÇÕES ABAIXO, NA SECÇÃO “COMO EFETUAR UMA RECLAMAÇÃO”] (415) 840-2000 (“Monster”) oferece-lhe esta Garantia Limitada. A lei estatutária e comum poderá oferecer-lhe direitos ou soluções adicionais, que não serão afetados por esta Garantia Limitada.

### DEFINIÇÕES

“Utilização adequada” significa a utilização pessoal do produto (i) para fins privados (em oposição a fins comerciais), (ii) de acordo com a lei, códigos ou regulamentos vigentes (incluindo sem limitação códigos de construção e/ou elétricos), (iii) em conformidade com as recomendações e/ou instruções do fabricante e/ou instruções em materiais que acompanham o produto e, (iv) se aplicável, com a correta ligação à massa.

“Representante autorizado” significa qualquer distribuidor, revendedor ou retalhista que (i) tenha sido devidamente autorizado para a venda do produto ao abrigo das leis da jurisdição em que comprado o Produto, (ii) tenha efetuado a compra do Produto diretamente à Monster ou a terceiros com uma relação contratual com a Monster e de acordo com os termos e condições autorizados de tal acordo e (iii) que tenha vendido o Produto novo e na sua embalagem original.

“Reclamação formal ao abrigo da garantia” significa uma reclamação efetuada de acordo com a secção “Reclamações formais ao abrigo da garantia” aqui incluída.

“Produto” significa um Produto (i) que se encontre na seguinte Tabela de especificações, (ii) que tenha sido comprado a um Representante autorizado novo e na sua embalagem original e (iii) cujo número de série, se existir, não tenha sido removido, alterado ou violado.

“Defeito do Produto” ou “Produto defeituoso” implica uma inadequação do Produto existente à data de receção do Produto de um Representante autorizado e que provoque a falha do Produto face ao desempenho descrito na documentação que acompanha o Produto da Monster, a menos que tal falha tenha sido provocada total ou parcialmente por (a) qualquer utilização diferente da Utilização adequada, (b) transporte, negligência, utilização indevida ou abuso por qualquer utilização que não os funcionários da Monster; (c) alteração, violação ou modificação do Produto por qualquer pessoa que não os funcionários da Monster; (d) acidente (para além de qualquer avaria que se possa qualificar como Defeito do Produto); (e) manutenção ou serviço do Produto por pessoas alheias à Monster; (f) exposição do Produto ao calor, exposição à luz direta, sol, substâncias líquidas, areia ou outras substâncias contaminantes; ou (g) atos alheios ao controlo da Monster, incluindo sem limitação atos de Deus, incêndios, tempestades, sísmos ou inundações.

“Período da garantia” significa o período durante o qual a Monster deve receber e sua Reclamação formal ao abrigo da garantia. Os diferentes Períodos da garantia relacionados com Defeitos do Produto são definidos na seguinte Tabela de especificações. O Período da garantia tem início na data de compra ou receção (o que ocorrer mais tarde) do Produto de um Representante autorizado tal como evidenciado na fatura, recibo de venda ou talão do Representante autorizado. Se não tiver um comprovativo escrito ou recibo da data de compra, o Período da garantia começa três (3) meses após a data em que o Produto saiu das instalações da Monster ou das suas fábricas, tal como evidenciado pelos registos da Monster. O Período da garantia termina após o período de tempo definido na Tabela de especificações ter chegado ao fim ou após transferência da propriedade do Produto, o que ocorrer primeiro. Deve ainda contactar a Monster e obter um Número de Autorização de Devolução (descrito em “Como efetuar uma reclamação formal”) num prazo de dois (2) meses após descobrir um Defeito do produto (ou, conforme aplicável, se tal Defeito do Produto for óbvio).

“Você” significa a primeira pessoa individual que comprou o Produto na sua embalagem original a um Representante autorizado. Esta Garantia Limitada não se aplica a pessoas ou entidades que tenham comprado o Produto (i) na sua forma usada ou não embalada, (ii) para revenda, cedência ou outra utilização comercial ou (iii) a alguém que não se qualifique como o Representante autorizado.

### ÂMBITO DESTA GARANTIA LIMITADA

**PRODUTOS.** Se um Produto continha um Defeito do produto no momento da compra a um Representante autorizado e a Monster receber uma Reclamação formal ao abrigo da garantia (i) num prazo de dois (2) meses depois de descobrir tal Defeito do produto (ou conforme aplicável, se tal Defeito do produto for óbvio) e (ii) antes do fim do Período da garantia para Defeitos do produto aplicável ao Produto defeituoso, a Monster facultará

uma das seguintes soluções: a Monster procederá (1) à reparação ou, ao exclusivo critério da Monster; à substituição do Produto defeituoso ou (2) ao reembolso do preço pago à Monster ou ao Representante autorizado pelo Produto defeituoso se a reparação ou a substituição não forem comercialmente viáveis ou atempadas. NOTA: NA EXTENSÃO MÁXIMA PERMITIDA PELA LEI VIGENTE, A MONSTER NÃO ASSUME QUALQUER RESPONSABILIDADE POR QUALQUER DANOS ACIDENTAIS, CONSEQUENCIAIS OU INDIRETOS AO ABRIGO DESTA GARANTIA LIMITADA.

#### DISPOSIÇÕES GERAIS

**ESCOLHA DO FORO/JURISDIÇÃO.** Esta Garantia limitada e quaisquer disputas resultantes ou ligadas a esta Garantia limitada ("Disputas") deverá ser regida pelas leis da Jurisdição em que comprou o Produto.

**OUTROS DIREITOS.** ESTA GARANTIA LIMITADA CONFERE-LHE DIREITOS LEGAIS ESPECIAIS E PODERÁ USFRUIR DE OUTROS DIREITOS, QUE VARIAM DE JURISDIÇÃO PARA JURISDIÇÃO, E QUE NÃO SERÃO AFETADOS POR ESTA GARANTIA LIMITADA.\* ESTA GARANTIA E OFERECEIDA APENAS A SI E NÃO PODE SER TRANSFERIDA OU CEDIDA. A qualquer disposição desta Garantia limitada se revelar ilícita ou impraticável, essa disposição deverá ser considerada nula sem afetar as demais disposições. Em caso de inconsistência entre a versão em inglês e outras versões desta Garantia limitada, deverá prevalecer a versão em inglês.

**REGISTO.** Registe o seu Produto em [www.MonsterProd.com](http://www.MonsterProd.com). Não registar o Produto reduz os direitos da sua Garantia.

#### TABELA DE ESPECIFICAÇÕES

Modelo do Produto	Período da garantia para o Produto
Produto que acompanha esta declaração de garantia	Um (1) ano para produtos vendidos na América do Norte, na América do Sul e na Ásia Dois (2) anos para produtos vendidos na Europa

#### RECLAMAÇÃO FORMAL AO ABRIGO DA GARANTIA

##### COMO EFETUAR UMA RECLAMAÇÃO.

Na eventualidade de um Defeito do Produto, deve seguir estas instruções: (1) Contacte a Monster num período de dois meses (2) após descobrir um Defeito do Produto (ou, conforme aplicável, se o Defeito do Produto for óbvio); (2) Forneça uma explicação detalhada sobre como ocorreram os danos; (3) Obtenha um Número de Autorização de Devolução; (4) Devolva o Produto, com franquias pré-pagas por si (a reembolsar se tiver direito a uma solução ao abrigo do âmbito desta Garantia limitada), à Monster para verificação dos danos, juntamente com uma cópia do seu **recibo de venda original ou comprovativo de compra** (fatura ou recibo) para tal Produto, o formulário de reclamação preenchido e o Número de Autorização de Devolução impresso no exterior da embalagem de devolução (o formulário de reclamação inclui as instruções de devolução).

**NÚMEROS DE TELEFONE.** Se comprou o Produto nos **Estados Unidos** (1-877-800-8989), **América Latina** (México 011-882-800-8989) ou **Ásia-Pacífico** (China 400-820-8973), contacte a Monster, LLC através de serviço postal para 455 Valley Drive, Brisbane, CA 94005 (**NOTE QUE A MONSTER NÃO ACEITA PRODUTOS ENVIADOS PARA ESTA MORADA – SIGA AS INSTRUÇÕES EM "COMO EFETUAR UMA RECLAMAÇÃO" ACIMA**). Se comprou o Produto na Austrália, contacte o agente da Monster, Convoy International Pty Ltd (02 9700 0111), Unit 7, 1801 Botany Rd, Banksmeadow, NSW 2019 Australia. Se comprou o Produto em qualquer outro local, contacte a Monster Technology International Ltd, Ballymaley Business Park, Gort Road, Ennis, Co. Clare, Ireland. Pode utilizar os seguintes números de telefone:

<b>Estados Unidos</b>	1-877-800-8989
<b>Canadá</b>	866-348-4171
<b>México</b>	011-882-800-8989
<b>China</b>	400-820-8973
<b>Irlanda</b>	353 65 68 69 354
<b>Áustria</b>	0800296462
<b>Bélgica</b>	0800-79201
<b>República Checa</b>	800-142471
<b>Dinamarca</b>	8088-2128
<b>Finlândia</b>	800-112768
<b>França</b>	0800-918201
<b>Alemanha</b>	0800-1819388
<b>Grécia</b>	08000-353-12008
<b>Itália</b>	800-871-479
<b>Holanda</b>	0800-0228919
<b>Noruega</b>	800-10906
<b>Rússia</b>	810-800-20051353
<b>Espanha</b>	900-982-909
<b>Suécia</b>	020-792650
<b>Suíça</b>	0800834659
<b>Reino Unido</b>	8000-0569520

**MAIS AÇÕES.** A Monster irá determinar a existência de um Defeito do Produto. A Monster poderá, ao seu critério, indicar-lhe a obtenção de um orçamento de reparação num centro de serviço. Se for necessário um orçamento de reparação, receberá instruções sobre como enviar corretamente o orçamento e a fatura resultante para pagamento pela Monster. Quaisquer custos de reparação terão de ser negociados pela Monster.

**PERÍODO DE TEMPO.** Se apresentar uma Reclamação formal ao abrigo da garantia e cumprir com todos os termos e condições desta Garantia Limitada, a Monster enviará os melhores esforços para fornecer uma solução num período de trinta (30) dias após a receção da Reclamação formal (se residir nos Estados Unidos – quarenta e cinco (45) dias se residir noutros países), a menos que obstáculos alheios ao controlo da Monster atrasem o processo.

\* Os nossos produtos incluem garantias que não podem ser excluídas ao abrigo da Lei do Consumidor da Austrália. Tem direito a uma substituição ou reembolso para avaria por força maior e compensação por quaisquer outras perdas ou danos razoavelmente previsíveis. Também goza do direito à reparação ou substituição dos bens caso não apresentem uma qualidade aceitável e a falha não se classifique como falha por causa maior.

## (EL) Σημαντικές συμβουλές απόδοσης και ασφάλειας Monster®

### Υπεύθυνη ακρόαση

Για να αποφύγετε βλάβη της ακοής, βεβαιωθείτε ότι η ένταση της συσκευής αναπαραγωγής μουσικής είναι χαμηλή πριν συνδέσετε τα ακουστικά σας. Αφού τοποθετήσετε τα ακουστικά στα αυτιά σας, αυξήστε σταδιακά την ένταση μέχρι να φτάσετε ένα άνετο επίπεδο ακρόασης.

Τα επίπεδα θορύβου μετρούνται σε ντεσιμπέλ (dB), και η έκθεση σε οποιοδήποτε θόρυβο των 85 dB και άνω μπορεί να προκαλέσει σταδιακή απώλεια της ακοής.

Να κάνετε προσεκτική χρήση. Η απώλεια της ακοής είναι συνάρτηση των δυνατών ήχων σε διάρκεια χρόνου. Όσο πιο δυνατοί είναι οι ήχοι, τόσο λιγότερο χρόνο μπορείτε να εκτίθεστε σε αυτούς. Όσο απαλότεροι, τόσο περισσότερο χρόνο μπορείτε να κάνετε ακρόαση.

Αυτός ο πίνακας των ντεσιμπέλ (dB) συγκρίνει ορισμένους συνηθισμένους ήχους και δείχνει την ταξινόμησή τους σε σχέση με την πιθανή βλάβη της ακοής.

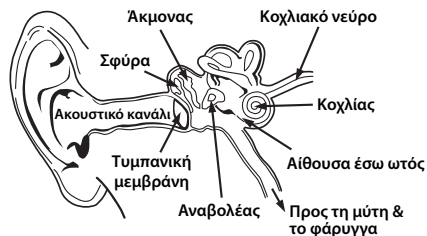
ΗΧΟΣ	ΕΠΙΠΕΔΟ ΘΟΡΥΒΟΥ (dB)	ΕΠΙΔΡΑΣΗ
Ψιθυρος	30	Πολύ χαμηλό
Ήσυχο γραφείο	50–60	Τα επίπεδα άνετης ακρόασης είναι κάτω από τα 60 dB
Ηλεκτρική σκούπα, Πιστολάκι μαλλιών	70	Ενοχλητικό. Παρεμβάλλεται στις τηλεφωνικές συνομιλίες
Μπλέντερ	85–90	Τα 85 dB είναι το επίπεδο όπου ξεκινά η βλάβη της ακοής (8 ώρες)
Απορριμματοφόρο, Μπετονέρα	100	Δεν συνιστώνται περισσότερα από 15 λεπτά έκθεσης χωρίς προστασία για ήχους μεταξύ 90–100 dB
Άλυσιοπρίονο, Τριπλάνη/Κομπρεσέρ	110	Τακτική έκθεση σε ήχους πάνω από 100 dB για περισσότερο από 1 λεπτό ενέχει κίνδυνο μόνιμης απώλειας της ακοής
Συναυλία ροκ (διαφέρει)	110–140	Το όριο του πόνου ξεκινά περίπου στα 125 dB

Οι πληροφορίες του διαγράμματος προέρχονται από τη διεύθυνση [www.nidcd.nih.gov/health/education/teachers/pages/common\\_sounds.aspx](http://www.nidcd.nih.gov/health/education/teachers/pages/common_sounds.aspx)

Αξιοποιήστε στο έπακρο τον εξοπλισμό σας και απολαύστε υπέροχη ηχητική απόδοση ακόμα και σε ασφαλή επίπεδα. Τα ακουστικά μας επιτρέπουν να ακούτε με μεγαλύτερη ευκρίνεια σε χαμηλότερα επίπεδα έντασης από ποτέ άλλοτε.

Μάθετε τον τρόπο καθιέρωσης ενός ασφαλούς επιπέδου ακρόασης και διαβάστε προσεκτικά άλλες σημαντικές οδηγίες ασφαλείας από την Ένωση Καταναλωτών Ηλεκτρονικών στη διεύθυνση [www.ce.org](http://www.ce.org). Σημαντικές πληροφορίες σχετικά με τον τρόπο πρόληψης της απώλειας ακοής λόγω θορύβου (NIHL) και μια ολοκληρωμένη λίστα των θορύβων που μπορούν να προκαλέσουν βλάβη μπορεί να βρείτε στην ιστοσελίδα του Ιδρύματος Έρευνας για την Κωφότητα στη διεύθυνση [www.drf.org](http://www.drf.org).

## Φυσιολογία του αυτιού και της ακοής



Για περισσότερες πληροφορίες σχετικά με τις συνέπειες των υψηλών επιπέδων θορύβου για την ακοή σας και άλλες πληροφορίες σχετικά με την προστασία των αυτιών, ανατρέξτε στην ηλεκτρονική διεύθυνση [www.abelard.org/hear/hear.php#loud-music](http://www.abelard.org/hear/hear.php#loud-music)

## Υπεύθυνη χρήση

Μην χρησιμοποιείτε ακουστικά όταν δεν είναι ασφαλής η χρήση αυτή—κατά την οδήγηση οχήματος, ενώ κάνετε ποδήλατο, όταν διασχίζετε το δρόμο, ή στη διάρκεια οποιασδήποτε δραστηριότητας ή σε περιβάλλον όπου απαιτείται η πλήρης προσοχή σας στον περιβάλλοντα χώρο.

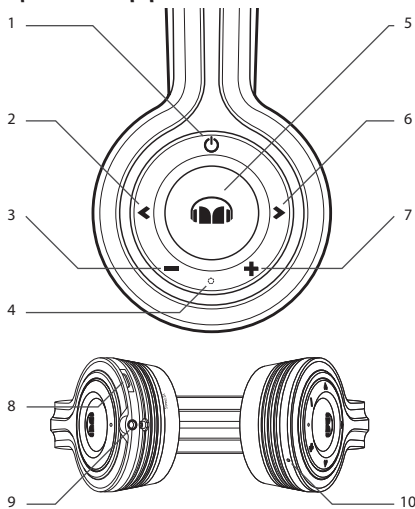
Είναι επικίνδυνο να οδηγείτε ενώ φοράτε ακουστικά, και σε πολλά μέρη, είναι παράνομο γιατί μειώνει τις πιθανότητες σας να ακούσετε ήχους που σώζουν ζωές που προέρχονται από το εξωτερικό του αυτοκινήτου, όπως την κόρνα ενός άλλου αυτοκινήτου και τις σειρήνες των οχημάτων έκτακτης ανάγκης.

Αποφύγετε να φοράτε τα ακουστικά σας ενώ οδηγείτε. Αντί γ' αυτά, χρησιμοποιείτε έναν από τους πομπούς FM της Monster για να ακούτε τις κινητές συσκευές πολυμέσων που έχετε.

## Καθαρισμός

Σκουπίστε τις κήφες αυτιών με ένα μαλακό πανί το οποίο έχετε υγράνει σε ήπιο διάλυμα με σαπούνι.

## Κουμπιά και Μέρη



Τα ακουστικά περιλαμβάνουν τα ακόλουθα μέρη:

1. Κουμπί Πολυλειτουργίας (Ενεργοποίηση/ Απενεργοποίηση, Ζεύξη, Ενεργοποίηση Φωνητικής Κλήσης)
2. Προηγούμενο κομμάτι
3. Μείωση ηχοχώρας
4. Ενδεικτική λυχνία (Ορατή μόνο όταν ανάβει)
5. Κουμπί Αναπαραγωγή/Παύση (Απάντηση/Τερματισμός/ Απόρριψη Κλήσης)
6. Επόμενο κομμάτι
7. Αύξηση έντασης
8. Σύνδεση φορτιστή
9. Θύρα καλωδίου 3,5mm
10. Μικρόφωνο

Πριν χρησιμοποιήσετε τα ακουστικά, θα πρέπει να φορτίσετε την μπαταρία και να ζευξέτε τα ακουστικά με μια συμβατή συσκευή. Το Freedom θα λειτουργεί χωρίς φορτισμένη μπαταρία όταν είναι συνδεδεμένο στο τηλέφωνο ή το music player σας (συσκευή αναπαραγωγής μουσικής), μέσω καλωδίου.

## Φόρτιση της μπαταρίας

Τα ακουστικά περιλαμβάνουν καλώδιο Micro USB, το οποίο μπορεί να συνδεθεί στον υπολογιστή σας ή σε άλλη συσκευή που προβλέπεται για φόρτιση μέσω USB. Συνδέστε το Micro USB άκρο του καλωδίου USB που περιλαμβάνεται στο σύνδεσμο θύρας φόρτισης micro USB, που βρίσκεται κάτω από την αριστερή κήφα αυτιού των ακουστικών. Συνδέστε το άλλο άκρο σε μια θύρα USB του υπολογιστή σας ή άλλης συσκευής που μπορεί να φορτίζει μέσω USB. Η ενδεικτική λυχνία θα είναι κόκκινη κατά την φόρτιση. Μόλις η φόρτιση ολοκληρωθεί, θα αναβεί η πράσινη λυχνία LED. Ο χρόνος φόρτισης είναι 1,5 ώρα, όταν η μπαταρία είναι άδεια. Η πλήρης φορτισμένη μπαταρία έχει διάρκεια έως 10 ώρες ομιλίας και/ή αναπαραγωγής μουσικής και έως 100 ώρες σε κατάσταση αναμονής.

**ΠΡΟΕΙΔΟΠΟΙΗΣΗ:** (1) Παρακαλούμε δώστε ιδιαίτερη προσοχή στην περιβαλλοντική απόρριψη των μπαταριών. Η μπαταρία θα πρέπει να ανακυκλώνεται ή να απορρίπτεται κατάλληλα. Αυτό το προϊόν δεν πρέπει να απορρίπτεται μαζί με οικιακά απορρίμματα. Αυτό το προϊόν θα πρέπει να απορρίπτεται σε εξουσιοδοτημένο σημείο ανακύκλωσης ηλεκτρικών και ηλεκτρονικών συσκευών. Συλλέγοντας και ανακυκλώνοντας απορρίμματα, βοηθάτε στην εξοικονόμηση των φυσικών πόρων. Βεβαιωθείτε πως αυτό το προϊόν απορρίπτεται με τρόπο υγιεινό και φιλικό προς το περιβάλλον. (2) Οι μπαταρίες (πακέτο μπαταριών ή μπαταρίες που έχουν εγκατασταθεί) δεν θα πρέπει να εκτίθενται σε υπερβολική θερμότητα, όπως ηλιακό φως, φωτιά και παρόμοια. (3) ΜΗΝ αποσυναρμολογείτε και μην αντικαθιστάτε την μπαταρία. Αν υποπτεύεστε πως αυτή την μπαταρία δεν λειτουργεί σωστά, παρακαλούμε μεταφέρετε τη μονάδα στο κέντρο συντήρησης για βοήθεια.

## Ενεργοποίηση

Για ενεργοποίηση, πατήστε και κρατήστε πατημένο το κουμπί πολυλειτουργίας για περίπου δύο δευτερόλεπτα. Τα ακουστικά θα βγάλουν όλο και πιο δυνατούς ήχους και η πράσινη ενδεικτική λυχνία θα αναβεί στιγμιαία. Όταν τα ακουστικά προσπαθούν να συνδεθούν στο τηλέφωνο ή το music player που χρησιμοποιήθηκε την τελευταία φορά, η κόκκινη ενδεικτική λυχνία θα αναβοσβήνει αργά. Όταν τα ακουστικά είναι συνδεδεμένα με μια συσκευή και είναι έτοιμα για χρήση, η μπλε ενδεικτική λυχνία θα αναβοσβήνει αργά. Αν στα ακουστικά δεν έχει γίνει ζεύξη με συσκευή, τότε μπαίνουν αυτόματα σε λειτουργία ζεύξης.

## Απενεργοποίηση

Για απενεργοποίηση, πατήστε και κρατήστε πατημένο το κουμπί πολυλειτουργίας για περίπου τρία δευτερόλεπτα. Τα ακουστικά εκπέμπουν όλο και πιο σιγανούς ήχους και η κόκκινη λυχνία ανάβει στιγμιαία. Αν τα ακουστικά δεν συνδεθούν με μια συσκευή εντός 10 λεπτών, απενεργοποιούνται αυτόματα.

## Ζεύξη

1. Βεβαιωθείτε πως το τηλέφωνο ή το music player σας είναι ενεργοποιημένο.

2. Για να ζευξείτε τα ακουστικά αν αυτά δεν έχουν ζευχθεί ξανά με μια συσκευή, ενεργοποιήστε τα ακουστικά. Τα ακουστικά μπαταίνον σε λειτουργία ζεύξης και η μπλε και η κόκκινη ενδεικτική λυχνία αρχίζει να αναβοσβήνει γρήγορα. Για να ζευξείτε τα ακουστικά, εφόσον έχουν ζευχθεί παλαιότερα με μια άλλη συσκευή, βεβαιωθείτε πως τα ακουστικά είναι απενεργοποιημένα. Πατήστε και κρατήστε πατημένο το κουμπι πολυλειτουργίας (για περίπου πέντε δευτερόλεπτα), ώσπου η μπλε και κόκκινη ενδεικτική λυχνία αρχίσει να αναβοσβήνει γρήγορα.
3. Ενεργοποιήστε τη λειτουργία *Bluetooth*® στο τηλέφωνο ή το music player σας και μετά ορίστε το να αναζητήσει συσκευές *Bluetooth*.
4. Επιλέξτε το "**Freedom**" από τον κατάλογο συσκευών που βρέθηκαν στο τηλέφωνο ή το music player σας.
5. Αν χρειάζεται, εισάγετε τον κωδικό πρόσβασης **0000** για να κάνετε ζεύξη και να συνδέσετε τα ακουστικά στη συσκευή σας.

## Προσαρμογή της έντασης

Για να προσαρμόσετε την ένταση των ακουστικών, πατήστε το κουμπι αύξησης έντασης ή το κάτω πλήκτρο, κατά τη διάρκεια μιας κλήσης ή καθώς ακούτε μουσική. Για να προσαρμόσετε την ένταση γρήγορα, πατήστε και κρατήστε πατημένο ένα από τα δύο κουμπιά.

**ΠΡΟΕΙΔΟΠΟΙΗΣΗ:** Η υπερβολική ένταση από τα ακουστικά (που μπαταίνον στο αυτί ή πάνω από αυτό), μπορεί να προκαλέσει κώφωση.

## Κλήσεις

Για να πραγματοποιήσετε μια κλήση, χρησιμοποιήστε το κινητό σας με τον συνηθισμένο τρόπο όταν τα ακουστικά είναι συνδεδεμένα σε αυτό.

Για να ενεργοποιήσετε τη φωνητική κλήση (αν το τηλέφωνό σας υποστηρίζει αυτή τη λειτουργία με τα ακουστικά), όταν δεν βρίσκεστε στο μέσο κλήσης, πατήστε το κουμπι πολυλειτουργίας δύο φορές γρήγορα, ώσπου το τηλέφωνο να ξεκινήσει τη φωνητική κλήση και συνεχίσει τη διαδικασία όπως αυτή περιγράφεται στο εγχειρίδιο χρήσης του τηλεφώνου.

Για να απαντήσετε ή να λήξετε μια κλήση, πατήστε γρήγορα το κουμπι αναπαραγωγής/παύσης. Για να απορρίψετε μια κλήση, πατήστε και κρατήστε πατημένο το κουμπι αναπαραγωγής/παύσης για περίπου δύο δευτερόλεπτα.

Για να μεταφέρετε μια κλήση (που βρίσκεται σε εξέλιξη) από τα ακουστικά στο συνδεδεμένο τηλέφωνο, πατήστε και κρατήστε πατημένο το κουμπι αναπαραγωγής/παύσης για περίπου δύο δευτερόλεπτα. Για να μεταφέρετε μια κλήση (που βρίσκεται σε εξέλιξη) από το τηλέφωνο στα ακουστικά, πατήστε και κρατήστε πατημένο το κουμπι αναπαραγωγής/παύσης για περίπου δύο δευτερόλεπτα.

## Αποσύνδεση των ακουστικών

Για να αποσυνδέσετε τα ακουστικά από τη συσκευή σας, απενεργοποιήστε τα ακουστικά, ή αποσυνδέστε τα από το μενού *Bluetooth* της συσκευής σας.

## Επανασύνδεση των ακουστικών

Για να συνδέσετε τα ακουστικά στο τηλέφωνο ή το music player με το οποίο τα χρησιμοποιήσατε την τελευταία φορά, ενεργοποιήστε τα ακουστικά ή πραγματοποιήστε σύνδεση από το μενού *Bluetooth* της συσκευής σας.

## Ακούγοντας μουσική

Για να ακούσετε μουσική, συνδέστε τα ακουστικά σε ένα συμβατό music player που υποστηρίζει προφίλ *A2DP Bluetooth*. Οι διαθέσιμες μουσικές λειτουργίες εξαρτώνται από το music player σας.

Αν λαμβάνετε ή πραγματοποιείτε κλήση καθώς ακούτε μουσική, η μουσική διακόπτεται προσωρινά, μέχρι τη λήξη της κλήσης.

Για να αναπαράγετε ένα τραγούδι, επιλέξτε το στο music player και πατήστε το κουμπι αναπαραγωγής/παύσης στα ακουστικά *iSport® Freedom*. Για να διακόψετε προσωρινά ή να συνεχίσετε την αναπαραγωγή ενός τραγουδιού, πατήστε το κουμπι αναπαραγωγής/παύσης.

Για να επιλέξετε το επόμενο τραγούδι κατά την αναπαραγωγή, πατήστε το πλήκτρο επόμενου κομματιού γρήγορα. Για να επιλέξετε το προηγούμενο τραγούδι, πατήστε το κουμπι προηγούμενου κομματιού (μία ή δύο φορές) γρήγορα. Για να κάνετε κύλιση στο παρόν τραγούδι γρήγορα, πατήστε και κρατήστε πατημένο ένα από τα δύο κουμπιά.

## Εκκαθάριση ρυθμίσεων ή Επαναφορά

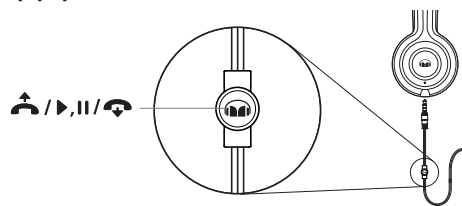
Για να εκκαθαρίσετε τις ρυθμίσεις ζεύξης από τα ακουστικά, απενεργοποιήστε τα ακουστικά. Πατήστε και κρατήστε πατημένα τα κουμπιά πολυλειτουργίας και μείωσης έντασης (για πάνω από 8 δευτερόλεπτα), ώσπου η κόκκινη και μπλε ενδεικτική λυχνία ανάψουν εναλλακτικά τρεις φορές.

Για επαναφορά των ακουστικών, συνδέστε τα ακουστικά σε ένα φορητό και πατήστε ταυτόχρονα τα κουμπιά πολυλειτουργίας και αύξησης έντασης.

## Παθητική Λειτουργία

Μπορείτε να χρησιμοποιήσετε το *iSport® Freedom* ως ενσύρματα ακουστικά για την εξοικονόμηση της διάρκειας των μπαταριών. Απλά συνδέστε το ένα άκρο του καλωδίου *ControlTalk Universal* που περιλαμβάνεται στο κάτω μέρος της κάψας αυτιού και το άλλο άκρο στο MP3 player σας. Αν εισάγετε καλώδιο ήχου, θα απενεργοποιηθεί η ασύρματη λειτουργία.

## Χρήση του ControlTalk Universal™



Το *ControlTalk Universal™* καλώδιο με τηλεχειριστήριο διαθέτει ένα κουμπι ελέγχου και ενσωματωμένο μικρόφωνο, που σας επιτρέπει να μεταβείτε εύκολα μεταξύ μουσικής και ομιλίας στο hands-free του κινητού σας τηλεφώνου.

Για να συνδεθείτε, συνδέστε το άκρο του καλωδίου των ακουστικών *iSport® Freedom* που είναι πιο κοντά στο *ControlTalk Universal™* στο κάτω μέρος του αριστερού ακουστικού και το άλλο άκρο στο 1/4" (3.5mm) στερεοφωνικό βύσμα της συσκευής αναπαραγωγής μουσικής σας.

**Απαντήστε τις κλήσεις σας:** Όταν ειδοποιηθείτε για μια εισερχόμενη κλήση, πατήστε και αφήστε το κουμπι ελέγχου του *ControlTalk Universal™* για να απαντήσετε.

**Τερματίστε μια κλήση:** Στα περισσότερα τηλέφωνα, πατήστε και αφήστε το κουμπι ελέγχου. Ορισμένα τηλέφωνα απαιτούν από εσάς να πιέσετε και να κρατήσετε πατημένο το κουμπι ελέγχου.

**Χρησιμοποιώντας την αναμονή κλήσεων:** Τα περισσότερα τηλέφωνα (αλλά όχι όλα) λειτουργούν ως εξής: Όταν ειδοποιηθείτε για μια εισερχόμενη κλήση ενώ μιλάτε, πατήστε και αφήστε το κουμπι ελέγχου για να απαντήσετε και να θέσετε την πρώτη κλήση σε αναμονή. Πατήστε και αφήστε το κουμπι ελέγχου για να επανέλθετε πίσω στην πρώτη κλήση. Πατήστε και κρατήστε πατημένο το κουμπι ελέγχου για να τερματίσετε την τρέχουσα κλήση και να γυρίσετε στην κλήση σε αναμονή.

**Αναπαγωγή ή παύση ενός τραγουδιού ή βίντεο:** Πατήστε και αφήστε το κουμπι κέντρο. Επαναλάβετε για να συνεχίσετε.

Η λειτουργικότητα διαφέρει ανάλογα με τη συσκευή. Για περισσότερες πληροφορίες σχετικά με τη λειτουργικότητα της συσκευής σας, μπορείτε να επισκεφθείτε [www.monsterproducts.com/mp3/ctuniversalworks.asp](http://www.monsterproducts.com/mp3/ctuniversalworks.asp)



## «Στρώσιμο» ακουστικών

Ωρα για στρώσιμο των ακουστικών; Νομίζετε ότι αστειεύμαστε; Όχι, δεν αστειεύμαστε. Όπως όλα τα προϊόντα υψηλής επίδοσης, είτε πρόκειται για αυτοκίνητο είτε για ακουστικά, πρόκειται για μηχανικές συσκευές που φθάνουν στο βέλτιστο επίπεδο λειτουργίας μετά από χρήση ορισμένου χρονικού διαστήματος. Τα νέα σας ακουστικά θα ακούγονται τέλεια μόλις τα βγάλετε από τη συσκευασία τους, αλλά θα «μαλακώσουν» μετά από χρήση ορισμένου χρονικού διαστήματος και θα ακούγονται ακόμη καλύτερα. Συνιστούμε να τα χρησιμοποιήσετε για 8 ώρες. Μετά από 20 ώρες χρήσης, θα πρέπει να έχουν «στρώσει» πλήρως. Απολαύστε τα.

## ΠΕΡΙΟΡΙΣΜΕΝΗ ΕΓΓΥΗΣΗ ΚΑΤΑΝΑΛΩΤΩΝ

H εταιρεία Monster, LLC, 7251 West Lake Mead Blvd., Las Vegas, NV 89128, USA, [ΠΑΡΑΚΑΛΟΥΜΕ ΣΗΜΕΙΩΣΕ ΟΤΙ Η MONSTER ΔΕΝ ΔΕΧΕΤΑΙ ΤΗΝ ΑΠΟΣΤΟΛΗ ΠΡΟΪΟΝΤΩΝ ΣΕ ΑΥΤΗΝ ΤΗ ΔΙΕΥΘΥΝΣΗ - ΑΚΟΛΟΥΘΗΣΤΕ ΤΙΣ ΟΔΗΓΙΕΣ ΣΤΗΝ ΠΑΡΑΡΟΦΟ «ΤΡΟΠΟΣ ΥΠΟΒΟΛΗΣ ΑΠΑΙΤΗΣΗΣ ΠΑΡΑΚΑΤΑ» (415) 840-2000 (εφεξής «Monster») σας παρέχει την παρούσα Περιορισμένη Εγγύηση. Το γραπτό ή εθιμικό δικαίωμα ενδέχεται να σας παρέχει πρόσθετα δικαιώματα ή τρόπος αποκατάστασης που δεν επηρεάζονται από την παρούσα Περιορισμένη Εγγύηση.

### ΟΡΙΣΜΟΙ

«**Επαρκής Χρήση**» νοείται η προσωπική χρήση του Προϊόντος (i) για ιδιωτικούς (και όχι εμπορικούς) σκοπούς, (ii) σε συμμόρφωση με την ισχύουσα νομοθεσία, τον ισχύοντα κώδικα ή τους ισχύοντες κανόνες (στους οποίους περιλαμβάνονται, χωρίς περιορισμό, κατασκευαστικό ή/και ηλεκτρικό κώδικες), (iii) σύμφωνα με τις συστάσεις του κατασκευαστή ή/και τις οδηγίες για τα υλικά και την τεκμηρίωση που συνοδεύει το Προϊόν, και (iv) κατά περίπτωση, με την κατάλληλη ηλεκτρική γείωση.

«**Εξουσιοδοτημένος Αντιπρόσωπος**» νοείται κάθε διανομέας, μεταπωλητής ή πωλητής λιανικής ο οποίος (i) είναι δέοντως εξουσιοδοτημένος να δραστηριοποιείται επιχειρηματικά και έχει το δικαίωμα να σας πουλήσει το Προϊόν, σύμφωνα με τους νόμους της περιοχής δικαιοδοσίας όπου αγοράσεται το Προϊόν, (ii) αγοράσε το Προϊόν απευθείας από τη Monster ή από έναν συνεργάτη ο οποίος έχει συμληθεί με τη Monster, σύμφωνα με τους ισχύοντες όρους, και τις προϋποθέσεις της εν λόγω σύμβασης, και (iii) έχει πωλήσει σε εσάς το Προϊόν καινούριο και στην αρχική του συσκευασία.

«**Τυπική Απαίτηση Εγγύησης**» νοείται μια απαίτηση που γεγρεται σύμφωνα με την ενότητα «Τυπικές Απαίτησεις Εγγύησης» της παρούσας.

«**Προϊόν**» νοείται ένα Προϊόν (α) το οποίο περιλαμβάνεται στον παρακάτω Πίνακα Προδιαγραφών, (β) το οποίο αγοράσεται από Εξουσιοδοτημένο Αντιπρόσωπο, καινούριο και στην αρχική του συσκευασία, και (γ) ο σειριακός αριθμός του οποίου, εάν υπάρχει, δεν έχει αφαιρεθεί, τροποποιηθεί ή καταστραφεί.

«**Ελάττωμα Προϊόντος**» ή «Ελαττωματικό Προϊόν» νοείται μια ανεπάρκεια του Προϊόντος η οποία υπήρχε ή οδήγησε στη παρακάτω το Προϊόν από Εξουσιοδοτημένο Αντιπρόσωπο και το οποίο προκαλεί ουσιαστική λειτουργία του Προϊόντος, σύμφωνα με την τεκμηρίωση της Monster που συνοδεύει το Προϊόν, εκτός εάν αυτή η ουσία έχει προκληθεί καθ' ολοκληρίαν ή εν μέρει από: (i) οποιαδήποτε άλλη χρήση εκτός της «Επαρκούς Χρήσης», (β) τη μεταφορά, παράδοση ή κατάγηση από οποιονδήποτε άλλον εκτός των υπαλλήλων της Monster, (γ) τη μετατροπή, παραποίηση ή τροποποίηση του προϊόντος από οποιονδήποτε άλλον εκτός των υπαλλήλων της Monster, (δ) ατύχημα (πέρα από δυσλειτουργία η οποία θα θεωρούνταν διαφορετικό ως Ελάττωμα του Προϊόντος), (ε) συντήρηση ή επισκευή του Προϊόντος από οποιονδήποτε άλλον εκτός των υπαλλήλων της Monster, (στ) έκθεση του Προϊόντος σε θερμότητα, δυνατό φως, ήλιο, υγρασία, όμιμο ή άλλους ρύπους, ή (ζ) ενέργειες οι οποίες δεν υπακούουν στην ένδειξη της Monster, όπως, ενδεικτικά, θεσμικές, πυρκαγιές, καταβίξεις, σεισμοί ή πλημμύρες.

«**Περίοδος Εγγύησης**» νοείται η χρονική περίοδος κατά τη διάρκεια της οποίας η Monster πρέπει να έχει παραλάβει την Τυπική Απαίτηση Εγγύησης από εσάς. Οι διαφορικές Περίοδοι Εγγύησης που σχετίζονται με Ελαττώματα Προϊόντος καθορίζονται στον παρακάτω Πίνακα Προδιαγραφών. Η Περίοδος Εγγύησης αρχίζει από την ημερομηνία κατά την οποία αγοράσεται ή λήγεται (όποιο συμβεί τελευταίο) το Προϊόν από Εξουσιοδοτημένο Αντιπρόσωπο, όπως προκύπτει από το τιμολόγιο του Εξουσιοδοτημένου Αντιπροσώπου, την απόδειξη πώλησης ή το δελτίο συσκευασίας. Εάν δεν διαβέθεται έγγραφη απόδειξη της ημερομηνίας αγοράς ή παραλαβής, τότε η Περίοδος Εγγύησης αρχίζει τρεις (3) μήνες μετά την ημερομηνία εξέδου του Προϊόντος από τη Monster ή το εργοστάσιο της, όπως αποδεικνύεται από τα αρχεία της Monster. Η Περίοδος Εγγύησης λήγει μετά το τέλος της χρονικής περιόδου που καθορίζεται στον Πίνακα Προδιαγραφών ή, κατόπιν δικής σας μεταβίβασης της ιδιοκτησίας του Προϊόντος, όποιο συμβεί πρώτο. Επίσης, πρέπει να καλέσετε τη Monster και να αποκτήσετε Αριθμό Εξουσιοδοτημένης Επιτροπής (όπως περιγράφεται στην παράγραφο «Τρόπος Υποβολής Απαίτησης») εντός δύο (2) μηνών από τη στιγμή που ανακαλύψατε ένα Ελάττωμα του Προϊόντος (ή που θα έπρεπε να είχαν ανακαλύψει, εάν το εν λόγω Ελάττωμα Προϊόντος ήταν προφανές).

Ο όρος «**Εσείς**» αναφέρεται στο πρώτο άτομο που αγοράσε το Προϊόν στην αρχική του συσκευασία από Εξουσιοδοτημένο Αντιπρόσωπο. Η παρούσα Περιορισμένη Εγγύηση δεν ισχύει για άτομα ή εταιρείες που αγοράσαν το Προϊόν (i) σε χρησιμοποιημένη ή άνευ συσκευασίας μορφή, (ii) για μεταπωλήση, ενοικίαση ή άλλη εμπορική χρήση ή (iii) άτομα εκτός του Εξουσιοδοτημένου Αντιπροσώπου.

### ΠΕΛΙΟ ΕΦΑΡΜΟΓΗΣ ΤΗΣ ΠΑΡΟΥΣΑΣ ΠΕΡΙΟΡΙΣΜΕΝΗΣ ΕΓΓΥΗΣΗΣ

**ΠΡΟΪΟΝΤΑ.** Εάν κάποιο Προϊόν έφερε ένα Ελάττωμα πριν να αγοράσεται από Εξουσιοδοτημένο Αντιπρόσωπο και η Monster λάβει μια Τυπική Απαίτηση Εγγύησης από εσάς (i) εντός δύο (2) μηνών αφότου ανακαλύψατε αυτό το Ελάττωμα (ή που θα έπρεπε να είναι ανακαλυφθεί, εφόσον επρόκειτο για προφανές Ελάττωμα Προϊόντος) και (ii) πριν τη λήξη της Περιόδου Εγγύησης για Ελαττώματα Προϊόντων που ισχύει για το εν λόγω Προϊόν, τότε η Monster πρέπει να σας προσφέρει έναν από τους παρακάτω τρόπους αποκατάστασης: η Monster πρέπει (1) να αποκαταστήσει ή, κατά την αποκατακτική κρίση της, να αντικαταστήσει το Ελαττωματικό Προϊόν, ή (2) να σας επιστρέψει το αντίτιμο αγοράς που καταβλήσατε στον Εξουσιοδοτημένο Αντιπρόσωπο, ή να εντάξει το Προϊόν, εάν η επισκευή ή η αντικατάσταση δεν είναι εμπορικά εφικτή ή δεν είναι δυνατόν να πραγματοποιηθεί έγκαιρα. ΣΗΜΕΙΩΣΗ: ΣΤΟ ΜΕΡΙΣΤΟ ΒΑΘΜΟ ΠΟΥ ΕΠΙΠΡΕΤΕΙ ΑΠΟ ΤΗΝ ΣΧΕΤΥΣΙΑ ΝΟΜΟΘΕΣΙΑ, Η MONSTER ΔΕΝ ΦΕΡΕΙ ΚΑΜΙΑ ΕΥΘΥΝΗ ΠΑΡ ΟΠΟΙΑΔΗΠΟΤΕ ΣΥΜΠΛΟΜΑΤΙΚΗ, ΠΑΡΕΠΟΜΕΝΗ Η ΕΜΜΕΣΗ ΣΤΗΜΙΑ ΣΤΟ ΠΛΑΙΣΙΟ ΤΗΣ ΠΑΡΟΥΣΑΣ ΠΕΡΙΟΡΙΣΜΕΝΗΣ ΕΓΓΥΗΣΗΣ.

### ΓΕΝΙΚΕΣ ΔΙΑΤΑΞΕΙΣ

**ΕΠΙΛΟΓΗ ΔΙΚΑΙΟΥ/ΔΙΚΑΙΟΔΟΣΙΑΣ.** Η παρούσα Περιορισμένη Εγγύηση και όποιες διαφορές προκύψουν από, ή σε σχέση με, την παρούσα Περιορισμένη Εγγύηση («Διαφορές») θα διενεργούνται από τους νόμους της χώρας όπου αγοράσεται το Προϊόν.

**ΛΟΙΠΑ ΔΙΚΑΙΩΜΑΤΑ.** Η ΠΑΡΟΥΣΑ ΠΕΡΙΟΡΙΣΜΕΝΗ ΕΓΓΥΗΣΗ ΣΑΣ ΠΑΡΕΧΕΙ ΣΥΓΚΡΕΜΜΕΝΑ ΝΟΜΙΚΑ ΔΙΚΑΙΩΜΑΤΑ, ΚΑΙ ΠΙΘΑΝΟΝ ΝΑ ΕΧΕΤΕ ΚΑΙ ΑΛΛΑ ΔΙΚΑΙΩΜΑΤΑ ΤΑ ΟΠΟΙΑ ΕΙΝΑΙ ΔΙΑΦΟΡΕΤΙΚΑ ΣΕ ΚΑΘΕ ΚΡΑΤΟΣ ΚΑΙ ΣΕ ΚΑΘΕ ΑΡΜΟΔΙΟ ΔΙΚΑΣΤΗΡΙΟ, ΚΑΙ ΤΑ ΟΠΟΙΑ ΔΕΝ ΘΑ ΕΠΙΠΡΕΑΖΟΝΤΑΙ ΑΠΟ ΤΗΝ ΠΑΡΟΥΣΑ ΠΕΡΙΟΡΙΣΜΕΝΗ ΕΓΓΥΗΣΗ. Η ΠΑΡΟΥΣΑ ΕΠΙΠΡΕΑΖΕΙ ΕΓΓΥΗΣΗ ΠΑΡΕΧΟΜΕΝΗ ΜΟΝΟ ΣΕ ΕΣΑΣ ΚΑΙ ΔΕΝ ΜΕΤΑΒΙΒΑΣΤΕΙ ΟΥΤΕ ΕΚΚΡΕΙΤΑΙ. Εάν κάποιος διατελεί της παρούσας Περιορισμένης Εγγύησης είτε παρών, είτε μέσω ή επί εφορμίου, η διαφορά αυτή θα κριθεί διαχωριστικά και δεν θα επηρεάσει τις υπολοίπες διατάξεις. Σε περίπτωση ασυμφωνίας μεταξύ της αγγλικής έκδοσης και άλλων εκδόσεων της Παρούσας Περιορισμένης Εγγύησης, υπαίχεται η αγγλική έκδοση. **ΚΑΤΑΧΩΡΗΣΗ.** Παρακαλούμε καταχωρήστε το Προϊόν σας στη διεύθυνση [www.MonsterProducts.com](http://www.MonsterProducts.com). Η παραλείπιση καταχώρισης δεν μειώνει τα δικαιώματα εγγύησης που απολαμβάνετε.

### ΠΙΝΑΚΑΣ ΠΡΟΔΙΑΓΡΑΦΩΝ

Μοντέλο προϊόντος	Περίοδος Εγγύησης Προϊόντος
Προϊόν που συνοδεύει την παρούσα δήλωση εγγύησης	Ένα (1) έτος για προϊόν που πωλείται στη Βόρεια Αμερική, Νότια Αμερική και την Ασία Δύο (2) έτη για προϊόν που πωλείται στην Ευρώπη

### ΤΥΠΙΚΗ ΑΠΑΙΤΗΣΗ ΕΓΓΥΗΣΗΣ

**ΤΡΟΠΟΣ ΥΠΟΒΟΛΗΣ ΑΠΑΙΤΗΣΗΣ.** Σε περίπτωση Ελαττωματικού Προϊόντος, πρέπει να ακολουθήσετε τις οδηγίες υπόδειξης (1) καλέστε τη Monster, (2) μηνών αφότου ανακαλύψατε από το Ελάττωμα (ή της υποψήφιας) από να ανακαλυφθεί, εφόσον επρόκειτο για προφανές Ελάττωμα Προϊόντος, (2) άσπετε λεπτομερή εξήγηση για το πώς επηρέη η ζημία, (3) Αποκτήστε Αριθμό Εξουσιοδοτημένης Επιτροπής, (4) Επιστρέψτε το Προϊόν πληρώνοντας τα έξοδα αποστολής (τα οποία θα σας επιστραφούν εάν δικαιοσύνη αποκαταστήσει σύμφωνα με το Πεδίο Εφαρμογής της παρούσας Περιορισμένης Εγγύησης) στη Monster για τοποίηση της ζημίας, μαζί με ένα αντίγραφο της πρωτότυπης απόδειξης πώλησης ή της απόδειξης αγοράς από εσάς (τιμολόγιο ή δελτίο συσκευασίας) του εν λόγω Προϊόντος, το συμπληρωμένο έντυπο της απαίτησης, μαζί με τυπωμένο τον Αριθμό Εξουσιοδοτημένης Επιτροπής στο εξωτερικό του πακέτου επιστροφής (το έντυπο της απαίτησης θα περιλαμβάνει οδηγίες επιστροφής).

**ΑΡΙΘΜΟΙ ΤΗΛΕΦΩΝΩΝ.** Εάν αγοράσατε το Προϊόν στις **Ηνωμένες Πολιτείες** (1-877-800-8989), **τη Λατινική Αμερική** (Μεξικό 011-882-800-8989) ή την περιοχή **Ασίας-Ειρηνικού** (Κίνα 400-820-8973), επικοινωνήστε με τη Monster, LLC μέσω ταχυδρομείου στη διεύθυνση 4533 Valley Drive, Brisbane, CA 94005 [ΣΗΜΕΙΩΣΕ ΟΤΙ Η MONSTER ΔΕΝ ΔΕΧΕΤΑΙ ΤΗΝ ΑΠΟΣΤΟΛΗ ΠΡΟΪΟΝΤΩΝ ΣΕ ΑΥΤΗΝ ΤΗ ΔΙΕΥΘΥΝΣΗ - ΑΚΟΛΟΥΘΗΣΤΕ ΤΙΣ ΟΔΗΓΙΕΣ ΣΤΗΝ ΠΑΡΑΡΟΦΟ «ΤΡΟΠΟΣ ΥΠΟΒΟΛΗΣ ΑΠΑΙΤΗΣΗΣ ΠΑΡΑΡΟΦΟ»]. Εάν αγοράσατε το Προϊόν στην Αυστραλία, επικοινωνήστε με τον αντιπρόσωπο της Monster, Conroy International Pty Ltd (02 9700 0111), Unit 7, 1801 Botany Rd, Banksmeadow, NSW 2019 Australia. Εάν αγοράσατε το Προϊόν από οποιονδήποτε άλλο μέρος, επικοινωνήστε με τη Monster Technology International Ltd, Ballymally Business Park, Gort Road, Ennis, Co. Clare, Ireland. Μπορείτε να χρησιμοποιήσετε έναν από τους ακόλουθους αριθμούς τηλεφώνου:

<b>Ηνωμένες Πολιτείες</b>	1-877-800-8989
<b>Καναδάς</b>	866-348-4171
<b>Μεξικό</b>	011-882-800-8989
<b>Κίνα</b>	400-820-8973
<b>Ιρλανδία</b>	353 65 68 69 354
<b>Αυστρία</b>	0800295482
<b>Βέλγιο</b>	800-79201
<b>Τσεχία</b>	800-124271
<b>Δανία</b>	0808-2128
<b>Φινλανδία</b>	800-112768
<b>Γαλλία</b>	0800-918201
<b>Γερμανία</b>	800-1819388
<b>Ελλάδα</b>	0800-353-12008
<b>Ιταλία</b>	800-871-479
<b>Ολλανδία</b>	0800-0228919
<b>Νορβηγία</b>	800-10906
<b>Ρωσία</b>	810-800-20051353
<b>Ισπανία</b>	900-982-909
<b>Σουηδία</b>	020-79250
<b>Ελβετία</b>	0800834659
<b>Ηνωμένο Βασίλειο</b>	800-0569520

**ΠΕΡΑΙΤΕΡΟ ΔΙΚΑΙΩΣΕΙΣ.** Η Monster θα αποφασίσει κατά πόσον το Ελάττωμα Προϊόντος προσήλγη. Η Monster ενδέχεται, κατά την κρίση της, να σας προτείνει να ζητήσετε μια προσφορά επισκευής από κέντρο επισκευής. Εάν απαιτείται προσφορά επισκευής, θα Σας δοθούν οδηγίες σχετικά με τον κατάλληλο τρόπο υποβολής της προσφοράς και θα αναζητήσετε τιμολόγιο στη Monster για πληρωμή. Η Monster μπορεί να διαπραγματευτεί τις ζηρεώσεις της επισκευής.

**ΧΡΟΝΙΚΟ ΠΛΑΙΣΙΟ.** Εάν υποβάλετε Τυπική Απαίτηση Εγγύησης και συμμορφώνεται πλήρως με όλους τους όρους και τις προϋποθέσεις της παρούσας Περιορισμένης Εγγύησης, η Monster θα καταβάλει κάθε δυνατή προσπάθεια να αποκαταστήσει το πρόβλημά σας εντός τριάντα (30) μηνών από την παραλαβή της Τυπικής Απαίτησης Εγγύησης (εάν κατοικήσει στις Ηνωμένες Πολιτείες, και εάν ορατάρτα πέντε (45) μηνών εάν κατοικήσει αλλού), εκτός εάν η διαδικασία καθυστερήσει λόγω κυλιμάτων που υπερβούν τον ελεγχό της Monster.

\* Τα αγαθά μιας συνδεδεμένου από εγγύησης που δεν είναι δυνατόν να ελαβεθούν, κατά το Αυστραλιανό Δίκαιο Καταναλωτών, Δικαιοσύνη επιτροπή χρημάτων ή αντικατάσταση για οποιοδήποτε ποσό αξίας ελαττώμα, και αποζημίωση για οποιαδήποτε άλλη εύλογα προβλεπόμενη ουσία ή ζημία. Επίσης δικαιούστε επισκευή ή αντικατάσταση των αγαθών, εάν τα αγαθά δεν είναι αποδεκτές ποιότητας και το ελάττωμα δεν συνιστά ουσιαστικό ελάττωμα.

Ver.121912 - GLOBAL

©2013-2014 Monster, LLC



# (TR) Önemli Monster® Performans ve Güvenlik İpuçları

## Dikkatli Kullanın

İşitme duyunuza zarar vermesinden sakınmak için, kulaklıklarınızı bağlamadan önce müzik çalarınızın sesinin kısalmış olduğundan emin olun. Kulaklıklarınıza kulaklıkları yerleştirdikten sonra, rahat bir dinleme düzeyine ulaşmaya kadar sesi yavaşça yükseltiniz.

Gürültü seviyeleri desibel (dB) olarak ölçülür, 85 dB ya da daha yüksek her türlü sese maruz kalmak kademeli işitme kaybına yol açabilir.

Kullanımınıza dikkat edin, işitme kaybı uzun süre yüksek sese maruz kalma nedeniyle oluşan bir durumdur. Ses ne kadar yüksek olursa o kadar az kullanabilirsiniz. Ses ne kadar düşük olursa o kadar uzun süre dinleyebilirsiniz.

Bu desibel (dB) tablosu bazı yaygın sesleri birbiriyle kıyaslar ve işitmeye ne kadar zararlı olduklarını gösterir.

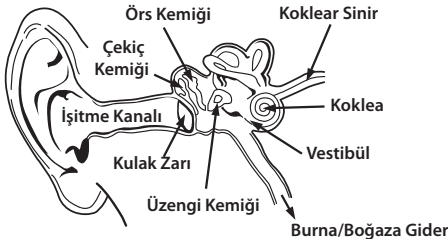
SES	GÜRÜLTÜ SEVİYESİ (dB)	ETKİSİ
Fısıltı	30	Çok sessiz
Sessiz Ofis	50-60	Rahat işitme ses seviyeleri 60 dB'nin altında
Elektrikli Süpürge, Saç Kurutma Makinesi	70	Rahatsız edici; telefon konuşmalarına müdahale eder
Yemek Mikseri	85-90	85 dB işitme duyusuna zarar vermeye (8 saat) başladığı seviyedir
Çöp Kamyonu, Çimento Karıştırıcı	100	90-100 dB arası seslere 15 dakikadan daha fazla korunmasız maruz kalınması tavsiye edilmez
Elektrikli Testere, Matkap/Kaya Matkabi	110	100 dB üstü seslere 1 dakikadan daha uzun süre düzenli şekilde maruz kaldığında kalıcı işitme kaybı riski oluşur
Rock Konserleri (değişir)	110-140	Acı sınırı 125 dB civarında başlar

Tablo bilgisi [www.niddc.nih.gov/health/education/teachers/pages/common\\_sounds.aspx](http://www.niddc.nih.gov/health/education/teachers/pages/common_sounds.aspx)

Ekipmanınızı güvenli seviyelerde bile en iyi şekilde kullanın ve harika ses performansının tadını çıkarın. Kulaklıklarınız kısık seslerde hiç olmadığı kadar daha çok ayrıntı duymanızı sağlayacaktır.

Güvenli bir dinleme seviyesi saptamayı öğrenmek ve diğer önemli güvenlik esasları için Tüketici Elektronikleri Derneğinin [www.ce.org](http://www.ce.org) adresine bakın. Gürültü Kaynaklı İşitme Kaybını (HIHL) önlemek konusunda önemli bilgiler ve hangi seslerin zarar verebileceğine dair kapsamlı bir liste Sağlık Araştırma Vakfı'nın [www.dr.org](http://www.dr.org) adresinde bulunabilir.

## Kulak ve İşitme Fizyolojisi



Yüksek sesin kulağınıza neler yaptığını hakkında ilave bilgi için ve kulaklı koruma hakkında daha fazlası için [www.abelard.org/hear/hear.php#loud-music](http://www.abelard.org/hear/hear.php#loud-music) adresine bakın

## Dikkatli Kullanın

Güvenli olmayan durumlarda kulaklıklarınızı kullanmayın—araç kullanırken, bisiklet sürerken, yoldan geçerken ya da etrafınızdakilere tam dikkatinizi vermenizi gerektiren bir etkinlik ortamındayken.

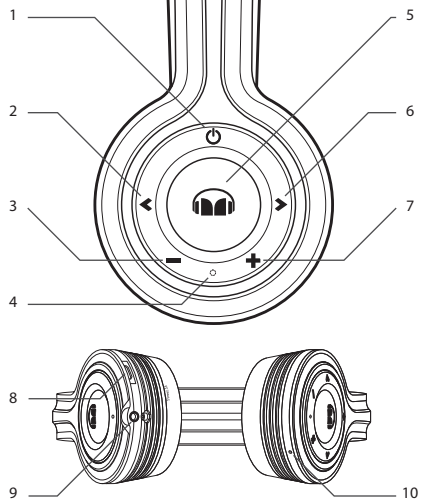
Araç kullanırken kulaklık kullanmak tehlikeli ve bazı yerlerde yasaktır, çünkü diğer aracın kornası ya da acil durum araçlarının sirenleri gibi aracınızın dışındaki hayat kurtaran sesleri işitmenizi engeller.

Lütfen araç kullanırken kulaklıklarınızı kullanmayın. Mobil medya cihazlarınızı dinlemek için Monster FM vericilerinden birini kullanın.

## Temizlik

Kulaklık kısımlarını hafif sabunlu bir çözelti ile nemlendirilmiş yumuşak bir bezle silin.

## Düğmeler ve Parçalar



Kulaklık, aşağıdaki parçaları içermektedir:

1. Çok işlevli düğme (Açma/Kapatma, Eşleme, Sesli Arama Etkinleştirme)
2. Bir önceki parça
3. Ses azaltma
4. Gösterge ışığı (Sadece yandıgında görülebilir)
5. Oynatma/Durdurma düğmesi (Çağrı Yanıtlama/Sonlandırma/Reddetme)
6. Bir sonraki parça
7. Ses artırma
8. Şarj bağlantısı
9. 3,5 mm kablo bağlantısı
10. Mikrofon

Kulaklığı kullanmadan önce pili şarj etmeniz ve kulaklığı uyumlu bir aygıtla eşlemeniz gereklidir. Freedom kabloyla telefona veya müzik oynatıcıya bağlandığında şarjlı pil olmadan çalışacaktır.

## Pilin Şarj Edilmesi

Kulaklık, bilgisayarınıza veya USB üzerinden şarj etmek üzere herhangi bir aygıtla bağlanabilmesi için bir Micro USB kabloyla birlikte sunulmaktadır. Sunulan USB kablosunun Micro USB ucunu kulaklığın sol tarafında yer alan USB Micro port şarj bölümüne bağlayın. Diğer ucunu ise bilgisayarınızın veya USB üzerinden şarj edebilecek farklı bir aygıtın USB portuna bağlayın. Şarj ederken gösterge ışığı kırmızı renkte yanacaktır. Tamamen şarj olduğunda yeşil LED yanacaktır. Boş pilin şarj süresi 1,5 saattir. Tamamen şarj edilen pilin konuşma ve/veya müzik dinleme süresi 10 saat, bekleme süresi ise 100 saattir.

**UYARI:** (1) Pili imha etmeden önce çevreye olan etkisini göz önünde bulundurun. Pili uygun şekilde geri dönüştürülmeli veya imha edilmelidir. Bu ürün ev atıklarıyla birlikte imha edilemez. Ürün, elektrik ve elektronik eşyaların geri dönüştürülmesi için yetkili bir yerde imha edilmelidir. Atıkları toplayıp geri dönüştürerek, doğal kaynakların korunmasına yardımcı olursunuz, bununla birlikte çevre dostu ve sağlıklı bir şekilde imha edilmesini sağlarsınız. (2) Piller (yerleştirilen pil paketi veya piller) güneş ışığı, ateş veya benzeri aşırı ısıya maruz bırakılmamalıdır. (3) Pili SÖKMEYİN VEYA DEĞİŞTİRMEYİN. Pili ile ilgili bir sorun olduğundan şüpheleniyorsanız, yardım için üniteyi bir servis merkezine götürün.

## Açmak

Kulaklığı açmak için çok işlevli düğmeye iki saniye kadar basılı tutun. Kulaklıktan giderek yükselen bir ton duyulacaktır ve yeşil göstere ışığı kısa bir süre yanacaktır. Kulaklık en son bağlandığı telefona veya müzik oynatıcısına yeniden bağlanmaya çalıştığında kırmızı göstere ışığı yavaş yavaş yanıp sönecektir. Kulaklık bir aygıtla bağlandığında ve kullanıma hazır olduğunda mavi ışık yavaş yavaş yanıp sönecektir. Kulaklık bir aygıtla eşlenmemişse, otomatik olarak eşleme moduna girecektir.

## Kapatmak

Kapatmak için çok işlevli düğmeye üç saniye kadar basılı tutun. Kulaklıktan giderek azalan bir ton duyulacaktır ve kırmızı ışık kısa bir süre yanacaktır. Kulaklık 10 dakika içerisinde bir aygıtla bağlanmazsa otomatik olarak kapanacaktır.

## Eşleme

1. Telefon veya müzik oynatıcınızın açık olduğundan emin olun.
2. Kulaklığı daha önce eşlenmemiş bir aygıtla eşlemek için kulaklığı açın. Kulaklık eşleme moduna girer ve kırmızı göstere ışığı hızla yanıp söner. Kulaklığı daha önce eşlenen bir aygıtla yeniden eşlemek için kulaklığın kapalı olduğundan emin olun ve mavi ile kırmızı göstere ışığı hızla yanıp sönece kadar çok işlevli düğmeye (yaklaşık beş saniye kadar) basılı tutun.
3. Telefonunuz veya müzik oynatıcınızın *Bluetooth*™ özelliğini çalıştırın ve *Bluetooth* aygıtı aramaya başlayın.
4. Telefonunuz veya müzik oynatıcınız üzerinde bulunan aygıtlar listesinden "**Freedom**" seçeneğini etkinleştirin.
5. Kulaklığınız ve aygıtı eşleyip bağlamak için şifre olarak **0000** girin.

## Ses Seviyesinin Ayarlanması

Kulaklığın ses seviyesini ayarlamak için arama sırasında veya müzik dinlerken ses artırma veya azaltma düğmesine basın. Ses seviyesini hızlı ayarlamak için ilgili tuşa basılı tutun.

**UYARI:** Kulak içi veya standart kulaklıklardan gelen aşırı ses basıncı işitme kaybına neden olabilir.

## Çağrılar

Bir çağrı yapmak için, kulaklık bağlı durumdayken cep telefonunuzu normal şekilde kullanın.

Sesli çağrıyı etkinleştirmek için (telefonunuzun kulaklık üzerinde bu özelliği destekliyor olması gerekir), devam eden herhangi bir çağrı yokken telefon sesli aramayı çalıştırana kadar çok işlevli düğmeye hızla iki kez basın, ardından telefonun kullanım kılavuzunda belirtilen şekilde sesli çağrıya devam edin.

Bir çağrıyı yanıtlamak veya sonlandırmak için oynatma/duraklatma düğmesine basın. Bir çağrıyı reddetmek için oynatma/duraklatma düğmesine yaklaşık iki saniye basılı tutun.

Bir çağrıyı (devam eden bir çağrı) kulaklıktan bağlı telefona aktarmak için oynatma/duraklatma düğmesine iki saniye kadar basılı tutun. Bir çağrıyı (devam eden bir çağrı) telefondan kulaklığa aktarmak için oynatma/duraklatma düğmesine iki saniye kadar basılı tutun.

## Kulaklığın Bağlantısının Kesilmesi

Kulaklıkla aygıtınızın bağlantısını kesmek için kulaklığı kapatın veya aygıtınızın *Bluetooth* menüsünden bağlantısını kesin.

## Kulaklığın yeniden bağlanması

Kulaklığı en son kullandığınız telefon veya müzik oynatıcısına bağlamak için kulaklığı açın veya aygıtınızın *Bluetooth* menüsünden bağlantıyı gerçekleştirin.

## Müzik Dinlemek

Müzik dinlemek için kulaklığı A2DP *Bluetooth* profili destekleyen uyumlu bir müzik oynatıcısına bağlayın. Müzik ile ilgili olarak kullanabileceğiniz işlevler müzik oynatıcınıza bağlıdır.

Müzik dinlerken bir çağrı alırsanız veya bir çağrı gerçekleştirirseniz, müzik çağrı sona erene kadar duraklatılacaktır.

Bir şarkı oynatmak için müzik oynatıcı içerisinde seçin ve *iSport*™ Freedom kulaklık üzerindeki oynatma/duraklatma düğmesine basın. Bir şarkıyı duraklatmak veya devam ettirmek için oynatma/duraklatma düğmesine basın.

Oynatma sırasında bir sonraki şarkıyı seçmek için bir sonraki parça düğmesine basın. Bir önceki şarkıyı seçmek için bir önceki şarkı düğmesine (bir veya iki kez) basın. Çalan şarkı içerisinde ilerlemek veya geri gitmek için ilgili düğmeye basılı tutun.

## Ayarları Silmek veya Sıfırlamak

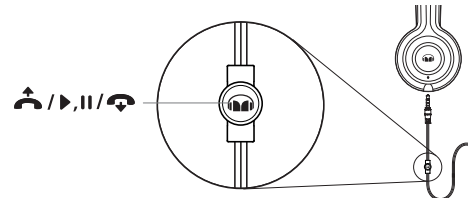
Kulaklık üzerindeki eşleme ayarlarını silmek için kulaklığı kapatın ve kırmızı ile mavi göstere ışıkları üç kez yanıp sönece kadar çok işlevli düğme ile birlikte ses azaltma düğmesine (yaklaşık sekiz saniye kadar) basılı tutun.

Kulaklığı sıfırlamak için, kulaklığı şarja bağlayın ve çok işlevli düğme ile ses artırma düğmelerine basın.

## Pasif Mod

Pil tasarrufu yapmak amacıyla *iSport*™ Freedom kulaklığı kablolu kulaklık şeklinde kullanabilirsiniz. Bunun için tek yapmanız gereken kulaklıkla birlikte sunulan *ControlTalk Universal*™ kablosunu kulaklığın alt kısmına, diğer ucunu ise MP3 oynatıcınıza bağlamaktır. Bir ses kablosu bağlamak kablosuz işlevleri devre dışı bırakacaktır.

## ControlTalk Universal™ Özelliğinin Kullanımı



*ControlTalk Universal*™ kablo üzeri kumanda, müzik dinleme veya telefonunuzda ellerinizin serbest bir şekilde konuşma işlemleri arasında kolayca geçiş yapmanıza olanak tanıyan tek düğme ve yerleşik mikrofon özelliğine sahiptir.

Bağlamak için, *iSport*™ Freedom kulaklık kablosunun *ControlTalk Universal*™ kumandasına en yakın ucunu, sol kulaklığın alt kısmına ve diğer ucunu da müzik çalıcınızın 1/8" (3,5mm) stereo girişine takın.

**Çağrı yanıtama:** Bir çağrı uyarısı geldiğinde, çağrıyı yanıtlamak için *ControlTalk Universal*'in kontrol düğmesine basıp bırakın.

**Çağrıyı sonlandırma:** Birçok telefonda kontrol düğmesine basıp bırakmanız yeterlidir. Bazı telefonlarda kontrol düğmesine bastıktan sonra düğmeyi basılı tutmanız gerekebilir.

**Çağrı bekleme özelliğini kullanma:** Birçok telefon (hepsi değil) bu işlevi aşağıdaki şekilde yerine getirir: Halihazırda bir görüşme yapıyor olduğunuz sırada bir çağrı uyarısı alırsanız, çağrıyı yanıtlamak ve ilk çağrıyı beklemeye almak için *ControlTalk Universal*'in kontrol düğmesine basıp bırakın. İlk çağrıyı sonlandırmak ve beklemedeki çağrıya dönmek için kontrol düğmesine basıp düğmeyi basılı tutun.

**Bir şarkı veya video oynatma veya duraklatma:** Merkez düğmesine basıp bırakın. Devam etmek için aynı işlemi tekrarlayın.

İşlevsellik cihazı göre değişecektir. Cihazınızın işlevselligi hakkında daha fazla bilgi için lütfen MonsterProducts.com/mp3/ctuniversalworks.asp

## Kulaklıkların "Rodajı"

Kulaklıkların rodaj süresi mi olur? Şaka yapıyoruz sanıyorsunuz değil mi? Hayır, yapıyoruz. İster otomobil isterse kulaklık olsun tüm diğer yüksek performans ürünleri gibi bu kulaklıklar da kullandıkça iyileşen mekanik cihazlardır. Yeni kulaklıklarınız paketten çıktığında inanılmaz performans sergileyecektir ama kullandıkça "oturacak" ve daha da iyi se verecektir. 8 saat kullanmanız tavsiye ediyoruz. 20 saatlik kullanımın sonra rodaj süresi tamamlanmış olacaktır. Keyfini çıkarın.

## TÜKETİCİLER İÇİN SINIRLI GARANTI

7251 West Lake Mead Blvd., Las Vegas, NV 89128, USA. **LÜTFEN MONSTER'IN BU ADRESE GÖNDERİLEN ÜRÜNLERİ KABUL ETMEDİĞİNİ UNUTMAYIN - AŞAĞIDAKİ "NASIL TALEPTE BULUNULUR" BÖLÜMÜNDE YER ALAN TALİMATLARI İZLEYİN!** (415) 840-2000 adresinde mukim Monster, LLC, ("Monster" veya "Sınırlı Garanti") sunmaktadır. Yazılı veya örfi hukuk, Size bu Sınırlı Garanti'den etkilenmeyecek haklar veya çözümler sunabilir.

### TANIMLAR

**"Uygun Kullanım"** Ürünün (i) (ticari kullanımın aksine) özel amaçna, (ii) (bina ve/veya elektrik ile ilgili kanunlar da sınırlamasız olarak dahil olmak üzere) tüm geçerli yasalara, (iii) üretici önerilerine ve/veya Ürünü birlikte verilen materyal ve belgelerdeki talimatlara ve (iv) geçerliyse, doğru elektrik topraklamasına uygun kullanımına anlamına gelir.

**"Yetikli Bayi"** (i) ticaret yapmak için gerekli yetkiye ve Ürünü satın aldığızdır yargı alanı içinde Ürün satma iznine sahip, (ii) Ürünü doğrudan Monster'dan veya Monster'ın sözleşmeli olduğu bir taraftan, söz konusu sözleşmenin yetkili şartlarına ve koşullarına uygun şekilde satın almış ve (iii) Size yeni Ürünü orijinal ambalajında satmış olan herhangi bir dağıtıcı, satıcı veya perakendeci anlamına gelir.

**"Resmi Garanti Talebi"** bu belgedeki "Resmi Garanti Talepleri" bölümüne uygun yapılan talep anlamına gelir.

**"Ürün"**, (i) aşağıdaki Özellikler Tablosu'nda listelenmiş olan, (ii) Yetkili bir Bayi'den satın aldığınız yeni ve orijinal ambalajında bulunan ve (iii) varsa, seri numarası sükülmemiş, değiştirilmemiş veya okunmaz hale gelmemiş bir Ürün anlamına gelir.

**"Ürün Kusura"** veya **"Kusurlu Ürün"**, Ürünü Yetkili Bayi'den aldığınızda Üründe bulunan ve Ürünü birlikte verilen Monster Belgeleri'ne uygun performans göstermesinde almasıyla neden olan bir yetersizlik anlamına gelir. Bu yetersizlik, tamamen veya kısmen (a) Uygun Kullanım dışında bir kullanım; (b) hatalı, yanlış kullanım veya Monster çalışanları dışında biri tarafından kötüye kullanım; (c) Ürünü Monster çalışanı olmayan biri tarafından değiştirilmesi, kurcalanması veya modifiye edilmesi; (d) kaza (Ürün Kusura olarak kabul edilen işlev bozukluğu hariç); (e) Ürünü'nün bakım ve servisinin Monster çalışanı olmayan biri tarafından yapılması; (f) Ürünü'nün ısıya, parlık ışığa, güneşe, sıvılara, kuma ve diğer kirlenici maddelere maruz kalması; veya (g) doğal afetler, yangın, fırtınalar, deprem veya sel dahil, ancak bunlarla kalmamak üzere Monster'ın kontrolü dışındaki olaylar nedeniyle ortaya çıktığı durumlar hariçtir.

**"Garanti Süresi"**, Ürünün Resmi Garanti Talebini almış olması gereken zaman aralığı anlamına gelir. Ürün Kusurlarıyla ilgili farklı Garanti Dönemleri aşağıdaki Özellikler Tablosu'nda yer alır. Garanti Dönemi, Ürünü, Yetkili Bayi'yi faturasıyla, alışveriş makbuzuyla veya sevk irsaliyesiyle iletmiş bir şekilde Yetkili Bayi'den satın alındığı veya alınınca eline ulaştığı (hangisi daha sonra gerçekleştirilirse) tarihte başlar. Ürünü satın aldığınız tarihte dağıtıcı, satıcı, dekle sahip değilseniz, Garanti Süresi, Monster Kayıtlarıyla kanıtlanacak şekilde Monster'dan veya Monster fabrikasından çıktıkdan üç (3) ay sonra başlar. Garanti Süresi, Özellikler Tablosu'nda belirtilen sürenin sona ermesinden veya Ürünü'nün mülkiyetini devretmesinden hangisi daha önce gerçekleşirse, o zaman sona erer. Ayrıca, Ürün Kusura'nu fark etmeden (veya Ürün Kusura açık olsaydı, fark etmiş olmanız gereken zamandan) itibaren iki (2) ay içinde Monster'ı aramalı ve "Nasıl Talepte Bulunulur" bölümünde açıkladığı üzere) bir lade Yetkilendirmenizi almanız gerekmektedir.

**"Siz"**, Ürünü Yetkili Bayi'den orijinal ambalajında satın alan ilk kişi anlamına gelir. Bu Sınırlı Garanti, Ürünü (i) kullanılmış ya da ambalajsız olarak, (ii) yeniden satmak, kiralamak ya da başka bir ticari kullanım amacıyla veya (iii) Yetkili Bayi dışında birinden alan kişi veya kurumlar için geçerli değildir.

### BU SINIRLI GARANTİNİN KAPSAMI

**ÜRÜNLER**, Yetkili Bayi'den aldığınızda Üründe bir Ürün Kusura varsa ve Monster, söz konusu Ürün Kusura'nu fark etmeden (veya Ürün Kusura açık olsaydı, fark etmiş olmanız gereken zamandan) itibaren iki (2) ay içinde ve (ii) Kusurlu Ürün için geçerli Ürün Kusurları Garanti Süresi bitmeden önce Sizden Yasal Garanti Talebi alırsa, Monster size aşağıdaki çözümlerden birini sunar: Monster, Kusurlu Ürünü (1) onarıyor veya tamamen Monster'ın tıgırlanma bağı olarak, Kusurlu Ürünü değiştiriyor veya (2) onarım ya da değiştirme ticari olarak uygulanabilir değilse ya da zamanında yapılamazsa, Monster'a da Yetkili Bayiiye Kusurlu Ürün için ödediğiniz parayı iade edebilir. NOT: MONSTER, KANUNUN İZİN VERDİĞİ EN KAPSAMLI ŞEKİLDE, BU SINIRLI GARANTİ KAPSAMINDAKİ HİÇ BİR ARIZI, TALİ VEYA DOLAYLI HASAR İÇİN SORUMLULUK KABUL ETMEMEKTEDİR.

### GENEL HÜKÜMLER

**KANUN/YARGI YETKİSİ**. Bu Sınırlı Garanti ve bu Sınırlı Garanti sonucunda veya onunla ilgili olarak oluşan tüm anlaşmazlıklar ("Anlaşmazlıklar") Ürünü Aldığınız yerin kanunlarına göre idare edilir.

**DİĞER HAKLAR**. BU SINIRLI GARANTİ SİZİ BELİRLİ YAŞA HAKLAR VERMEKTE OLUŞ YARIGIDAN YARGIYA DEĞİŞİBİLENE VE BU SINIRLI GARANTİDEN ETKİLENMEYEN BAŞKA HAKLARA DA SAHİP OLABİLİRSİNİZ." BU GARANTI YALNIZCA SİZİN İÇİN GEÇERLİ OLUŞ AKTARILAMAZ VEYA BAŞKASINA DEVREDİLEMEZ. Bu Sınırlı Garanti'nin maddelerinden biri uyarıyla uygun değilse, geçersiz veya uygulanamazsa, o hüküm münferit olarak kabul edilir ve diğer hükümleri etkilemez. Bu Sınırlı Garanti'nin İngilizce sürümü ile diğer sürümleri arasında tutarsızlık olması halinde, İngilizce sürümü geçerli olur.

**KAYIT**. Lütfen ürününüzü [www.MonsterProducts.com](http://www.MonsterProducts.com) adresine kaydedin. Kaydetmemeniz halinde garanti haklarınız kaybolur.

## ÖZELLİKLER TABLOSU

Ürün Modeli	Ürün Garanti Süresi
Bu garanti beyanına uyan ürün	Kuzey Amerika, Güney Amerika ve Asya'da satılan ürün için bir (1) yıl Avrupa'da satılan ürünler için iki (2) yıl

### RESMİ GARANTİ TALEBİ

**NASIL TALEPTE BULUNULUR**. Bir Ürün Kusura olması halinde aşağıdaki talimatları izlemelisiniz: (1) Ürün Kusura'nu fark etmeden (veya Ürün Kusura açıkça görüldüyse olsun), fark etmiş olmanız gereken zamandan) itibaren iki (2) ay içinde Monster'ı aramalısınız; (2) Hasarın nasıl gerçekleştiğini ayrıntılı bir şekilde belirtmelisiniz; (3) lade Yetkilendirmenizi Numarası'na almalısınız; (4) Ürünü, Nakliye Ücreti (Bu Sınırlı Garanti Kapsamı'nda tazmin hakkı kazanırsanız size geri Ödenir) için tarafınızdan Ödenmek suretiyle, hasarın doğrulanması için söz konusu Ürünü ait orijinal satış fişininiz veya satın alma delillerinin bir kopyası (fatura veya sevk irsaliyesi) ve talep formuyla birlikte ve paketin dışına lade Yetkilendirmenizi Numarası yazılmış olarak Amerika Monster'a lade edin.

**TELEFON NUMARALARI**. Ürünü **Amerika Birleşik Devletleri** (1-877-900-8989), **Latin Amerika (Meksika)** 011-882-800-8989) veya **Asya Pasifik'ten** aldığınız (Çin 400-820-8973), **Monster, LLC** posta iletişim adresi: 455 Valley Drive, Brisbane, CA 94005 (LÜTFEN MONSTER'IN BU ADRESE GÖNDERİLEN ÜRÜNLERİ KABUL ETMEDİĞİNİ UNUTMAYIN - YUKARIDAKİ "NASIL TALEPTE BULUNULUR" BÖLÜMÜNDE YER ALAN TALİMATLARI İZLEYİN). Ürünü Avustralya'dan aldığınız, Monster temsilcisi ile iletişime geçin: Convoy International Pty Ltd (02 9700 0111), Unit 7, 1801 Botany Rd, Banksmeadow, NSW 2019 Avustralya. Ürünü başka bir yerden aldığınız, bu adresten iletişime geçin: Monster Technology International Ltd., Ballymore Business Park, Gortree, Ennis, Co. Clare, Ireland. Aşağıdaki telefon numaralarından birini kullanabilirsiniz:

Amerika Birleşik Devletleri	1-877-900-8989
<b>Kanada</b>	866-348-4171
<b>Meksika</b>	011-882-800-8989
<b>Çin</b>	400-820-8973
<b>İrlanda</b>	353 65 68 69 354
<b>Avustralya</b>	0800296482
<b>Belçika</b>	0800-79201
<b>Çek Cumhuriyeti</b>	800-142471
<b>Danimarka</b>	8088-2128
<b>Finlandiya</b>	800-112768
<b>Fransa</b>	0800-1819380
<b>Almanya</b>	0800-1819388
<b>Yunanistan</b>	0800-353-12008
<b>İtalya</b>	800-871-479
<b>Hollanda</b>	0800-0228919
<b>Norveç</b>	800-10906
<b>Rusya</b>	810-800-20051353
<b>İspanya</b>	900-982-909
<b>İsviçre</b>	020-792650
<b>İsviçre</b>	0800348359
<b>İngiltere</b>	800-0569520

**DİĞER İŞLEMLER**. Monster, Ürün Kusura olup olmadığını belirler. Monster, tamamen kendi takdirine bağlı olarak, Siz'i bir servis merkezinden onarmak istememize izin vermektedir. Onarım tahmini gerekirse, tahmini ve buna ilişkin fatura ödemeyi için Monster'a ücreti doğrudan kendisi gönderdiğinizde kusunu yönlendirecektiz. Onarımları ilgili tüm araçlar için Monster tarafından görülmüştür.

**SÜRE**. Bir Resmi Garanti Talebi sunar ve bu Sınırlı Garanti'nin tüm şartlarına ve koşullarına tam olarak uyarızsanız, Monster, kontrolü dışındaki sorular süreci uzatmadığı sürece, size Resmi Garanti Talebinizi aldiktan sonraki (Amerika Birleşik Devletleri'nde yapsanız) otuz (30) gün içinde (başka bir ülkedeymişse kırk beş (45) gün içinde) çözüm sunmak için elinden gelen tüm çabayı sarf edecektir.

\* Ürülerimiz, Avustralya Tüketici Yasası'na göre kapsam dışı bırakılmayacak garantilere sahiptir. Onemli bir arıza için değiştirme ve para iadesi hakkına; makul şekilde öngörülebilir diğer kayıp veya hasarlar için tazmin hakkına sahiptiriz. Ürünlerimizi kabul edilebilir kalitede değilse ve arıza büyük bir aksama yaratıyorsa, ürünlerin onarımı veya değiştirilmesi hakkına da sahiptiriz.

Nüsha 121912 - GLOBAL

©2003-2014 Monster, LLC

# (CS) Důležité rady týkající se bezpečnosti a výkonu výrobků Monster®

## Chraňte svůj sluch

Před připojením sluchátek nastavte na přehrávači nízkou hlasitost, aby nedošlo k poškození sluchu. Po nasazení nebo zasunutí sluchátek přidávejte pomalu hlasitost pouze do úrovně, která není nepříjemná.

Jednotkou hluku je decibel (dB), přičemž vystavování jakémukoliv hluku na úrovni 85 dB nebo vyšší může způsobit postupnou ztrátu sluchu.

Při poslechu dbejte na své zdraví; míra poškození sluchu je závislá na hlasitosti zvuku a době jeho trvání. Čím je hladina hluku vyšší, tím kratší dobu mu můžete být vystaveni. Čím je zvuk tišší, tím déle jej můžete poslouchat.

Tabulka úrovní hluku v decibelech (dB) uvádí příklady běžných zvuků a jejich případný dopad na sluch.

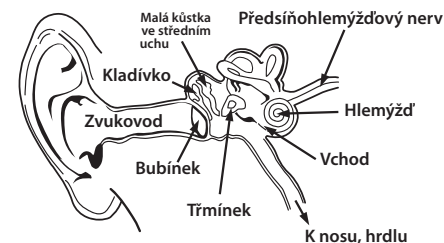
ZVUK	HLADINA HLUKU (dB)	ÚČINEK
Šepot	30	Velké ticho
Tichá kancelář	50–60	Příjemný poslech hlasitost je nižší než 60 dB
Vysavač, vysoušeč vlasů	70	Nepříjemné; ruší telefonní hovory
Kuchyňský mixér	85–90	85 dB je hlasitost, při které začíná docházet ke ztrátě sluchu (8 hodin)
Popelářský vůz, míchačka na beton	100	Maximálně 15 minut nechráněného vystavení se doporučuje při hladinách mezi 90 a 100 dB
Motorová pila, vrtačka nebo sbíječka	110	Pravidelné vystavení hlasitosti nad 100 dB na déle než 1 minutu hrozí trvalou ztrátou sluchu
Rockový koncert (různé)	110–140	Práh bolesti začíná kolem 125 dB

Údaje v tabulce byly získány na [www.nidcd.nih.gov/health/education/teachers/pages/common\\_sounds.aspx](http://www.nidcd.nih.gov/health/education/teachers/pages/common_sounds.aspx)

Využívejte co nejlépe své vybavení a užívejte si skvělý poslech i při zachování bezpečné hlasitosti. Naše sluchátka umožňují slyšet více detailů při nižších hlasitostech než kdy dříve.

Zjistěte, jaká je bezpečná úroveň poslechu a přečtěte si další důležité bezpečnostní pokyny od Asociace spotřební elektroniky na [www.ce.org](http://www.ce.org). Důležité informace o tom, jak předcházet poškození sluchu hlukem a komplexní výčet hluků, které mohou poškození způsobit, najdete na webových stránkách Nadace pro výzkum hluchoty na [www.drfl.org](http://www.drfl.org).

## Fyziologie ucha a sluchu



Další informace o hluku, jeho dopadu na váš sluch a o způsobech, jak svůj sluch chránit, jsou uvedeny na stránce [www.abelard.org/hear/hear.php#loud-music](http://www.abelard.org/hear/hear.php#loud-music)

## Dbějte na bezpečnost

Sluchátka nepoužívejte, pokud to není bezpečné, např. při řízení auta, přecházení ulice a během jízdy na kole takové činnosti či v takovém prostředí, kdy je zapotřebí věnovat okolí plnou pozornost.

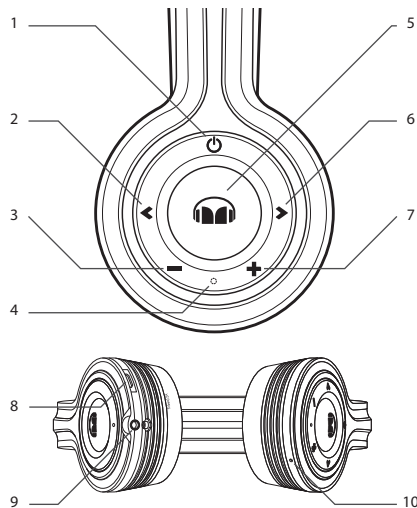
Je nebezpečné, a v mnoha zemích nezákonné, používat sluchátka při řízení vozidla, protože to snižuje schopnost slyšet důležité zvuky vně vozu, např. Houkání jiného vozidla nebo sirény záchrannářského vozidla.

Při řízení vozidla sluchátka nepoužívejte. Místo toho použijte jeden z vysílačů Monster FM k poslechu zařízení mobilních médií.

## Čištění

Otřete ozvučnice jemnou látkou navlhčenou jemným mýdlovým roztokem.

## Klávesy a díly



Sluchátka obsahují následující díly:

1. Multifunkční klávesa (Zapnutí/vypnutí, párování, aktivace hlasového vytáčení)
2. Přetáčení skladby zpět
3. Snižít hlasitost
4. Kontrolka (viditelná pouze při rozsvícení)
5. Klávesa přehrávání/pozastavení (Odpověď/ukončit/odmítnout hovor)
6. Přetáčet dopředu
7. Zvýšit hlasitost
8. Konektor nabíječky
9. 3,5 mm kabelový konektor
10. Mikrofon

Před použitím sluchátek je nutné nabít baterii a spárovat sluchátka s kompatibilním zařízením. Sluchátka Freedom budou fungovat bez nabití baterie, pokud je připojíte kabelem k telefonu nebo hudebnímu přehrávači.

## Nabíjezte baterii

Sluchátka obsahují kabel mikro USB, který lze připojit k počítači nebo jinému zařízení vyrobenému k nabíjení přes USB. Zapojte konektor mikro USB přiloženého USB kabelu do konektoru nabíječky mikro USB pod levou ozvučnicí sluchátek. Zapojte druhý konec do USB portu v počítači nebo jiném zařízení s funkcí nabíjení z USB. Kontrolka bude během nabíjení svítit červeně. Jakmile bude zařízení plně nabité, rozsvítí se zelená LED kontrolka. Doba nabíjení činí 1,5 hodiny u prázdné baterie. Plně nabitá baterie obsahuje energii na až 10 hodin hovoru a/nebo poslechu hudby a až 100 hodin pohotovostního režimu.

**VÝSTRAHA:** (1) Při likvidaci baterie dávejte pozor na ochranu životního prostředí. Baterie je nutné recyklovat nebo správným způsobem likvidovat. Tento výrobek je zakázáno likvidovat společně s komunálním odpadem. Tento výrobek je nutné likvidovat na místě oprávněným k recyklaci elektrických a elektronických přístrojů. Sběrem a recyklací odpadu pomáháte šetřit přírodní zdroje a zajistíte, že produkt bude likvidován způsobem přívětivým pro životní prostředí a zdraví. (2) Baterie (sada baterií nebo vložené baterie) je zakázáno vystavovat nadměrnému teplu, například slunečnímu svitu, požáru a podobně. (3) Baterii NEROZEBÍREJTE ani NEVYMĚŇUJTE. Pokud máte podezření, že je baterie vadná, doneste jednotku do servisního střediska a vyžádejte si pomoc.

## Zapnutí

Pro zapnutí stiskněte a podržte multifunkční klávesu na asi dvě sekundy. Sluchátka zahrají několik zvyšujících se tónů a krátce se rozsvítí zelená kontrolka. Pokud se sluchátka pokusí připojit k poslednímu použitému telefonu nebo hudebnímu přehrávači, začne červená kontrolka pomalu blikat. Pokud jsou sluchátka připojena k zařízení a jsou připravena k použití, začne modrá kontrolka pomalu blikat. Pokud nebyla sluchátka spárována se zařízením, automaticky se přepnou do režimu párování.

## Vypnutí

Pro vypnutí stiskněte a podržte multifunkční klávesu na asi tři sekundy. Sluchátka zahrají několik klesajících tónů a krátce se rozsvítí červená kontrolka. Pokud nepřipojíte sluchátka k zařízení během 10 minut, automaticky se vypnou.

## Párování

1. Ověřte, zda je váš telefon nebo hudební přehrávač zapnutý.
2. Pro spárování sluchátek, nejsou-li již spárována, sluchátka zapněte. Sluchátka se přepnou do režimu párování a modrá a červená kontrolka začnou rychle blikat. Chcete-li párovat sluchátka, pokud byla dříve spárována s jiným zařízením, ověřte, zda jsou sluchátka vypnuta a stiskněte a podržte multifunkční klávesu (na asi pět sekund), dokud nezačnou modrá a červená kontrolka rychle blikat.
3. Aktivujte funkci *Bluetooth*<sup>®</sup> ve vašem telefonu nebo hudebním přehrávači a nastavte ho na hledání *Bluetooth* zařízení.
4. Ze seznamu nalezených zařízení ve vašem telefonu nebo hudebním přehrávači vyberte možnost „**Freedom**“.
5. V případě nutnosti zadejte pro párování kód **0000** a připojte sluchátka k zařízení.

## Nastavení hlasitosti

Chcete-li nastavit hlasitost sluchátek, stiskněte klávesu zvýšení nebo snížení hlasitosti během hovoru nebo během poslechu hudby. Chcete-li rychle seřídit hlasitost, stiskněte a podržte obě klávesy.

**VÝSTRAHA:** Nadměrná hlasitost sluchátek a peckových sluchátek může způsobit poškození sluchu.

## Volání

Chcete-li zahájit volání, použijte mobilní telefon s připojenými sluchátky běžným způsobem.

Chcete-li aktivovat hlasové vytáčení (pokud telefon tuto funkci se sluchátky podporuje) a neprobíhá žádný hovor, stiskněte dvakrát rychle multifunkční klávesu, dokud nezačne telefon hlasové vytáčení a postupujte dle návodu v uživatelské příručce telefonu.

Pro přijetí nebo ukončení hovoru rychle stiskněte klávesu přehrát/pozastavit. Pro odmítnutí hovoru stiskněte a podržte klávesu přehrát/pozastavit na dvě sekundy.

Chcete-li přepnout hovor (probíhající) ze sluchátek na připojený telefon, stiskněte a podržte klávesu přehrávání/pozastavení na asi dvě sekundy. Chcete-li přepnout hovor (probíhající) z telefonu na sluchátka, stiskněte a podržte klávesu přehrávání/pozastavení na asi dvě sekundy.

## Odpojení sluchátek

Chcete-li odpojit sluchátka od zařízení, vypněte je nebo odpojte v nabídce *Bluetooth* vašeho zařízení.

## Opětovné připojení sluchátek

Chcete-li sluchátka připojit k telefonu nebo hudebnímu přehrávači, který jste s nimi naposledy použili, sluchátka zapněte nebo vytvořte připojení v nabídce *Bluetooth* vašeho zařízení.

## Poslech hudby

Chcete-li poslouchat hudbu, připojte sluchátka ke kompatibilnímu hudebnímu přehrávači, který podporuje profil *A2DP Bluetooth*. Dostupné hudební funkce závisí na hudebním přehrávači.

Pokud přijmete nebo zahájíte hovor během poslechu hudby, bude hudba pozastavena až do ukončení hovoru.

Chcete-li přehrát skladbu, vyberte ji v hudebním přehrávači a stiskněte klávesu přehrát/pozastavit na sluchátkách *iSport*<sup>®</sup> *Freedom*. Chcete-li pozastavit nebo obnovit přehrávání skladby, stiskněte klávesu přehrát/pozastavit.

Chcete-li vybrat další skladbu během přehrávání, stiskněte rychle klávesu přetáčení dopředu. Chcete-li vybrat předchozí skladbu, stiskněte rychle (jednou nebo dvakrát) klávesu převíjení dozadu. Chcete-li rychle procházet aktuální skladbou, stiskněte a jednu z kláves.

## Vymazání nastavení nebo reset

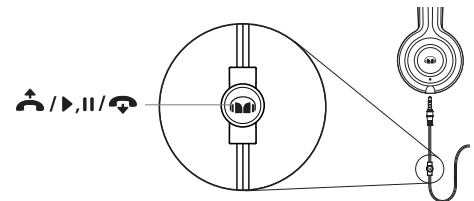
Chcete-li ze sluchátek vymazat nastavení párování, vypněte sluchátka a stiskněte a podržte multifunkční klávesu a klávesy hlasitosti (na více než osm sekund), dokud tlikáť nezabliká červená a modrá kontrolka.

Pro resetování sluchátek je připojte k nabíječce a stiskněte multifunkční klávesu a klávesy zvýšení hlasitosti.

## Pasivní režim

Zařízení *iSport*<sup>®</sup> *Freedom* můžete používat jako kabelový telefon a šetřit tak baterie. Jednoduše připojte jeden konec příloženého kabelu *ControlTalk Universal*<sup>™</sup> ke spodní části ozvučnice a druhý k vašemu MP3 přehrávači. Vložením zvukového kabelu deaktivujete bezdrátovou funkci.

## ControlTalk Universal<sup>™</sup>



Dálkový ovladač *ControlTalk Universal*<sup>™</sup> obsahuje jediný kontrolní tlačítko a zabudovaný mikrofón, které vám umožní snadno přepínat mezi poslechem hudby a telefonním hovorem s *handsfree*.

Připojení: zasuňte konec kabelu sluchátek *iSport*<sup>®</sup> *Freedom*, který je nejbližší *ControlTalk Universal*<sup>™</sup>, do spodní části levého sluchátka a druhý konec do 3,5mm stereo zdítky na hudebním přehrávači.

**Přijetí hovoru:** Hovor přijmete jedním zmáčknutím kontrolního tlačítka *ControlTalk Universal*<sup>™</sup>.

**Ukončení hovoru:** U většiny telefonů stačí jednou zmáčknout kontrolní tlačítko. U některých telefonů je nutno kontrolní tlačítko zmáčknout a podržet.

**Použití služby call waiting (druhé volání) Většina telefonů (ovšem ne všechny) funguje následovně:** Když jste upozorněni na příchozí hovor v době, kdy právě telefonujete, přijmete hovor jedním zmáčknutím kontrolního tlačítka a první hovor bude zatím „čekat“. Jedním zmáčknutím tlačítka se přepojíte zpět na první hovor. Zmáčknutím a podržením kontrolního tlačítka aktuální hovor ukončíte a přejdete zpět na čekající hovor.

**Přehrání nebo pozastavení písni či videa:** Jednou zmáčkněte prostřední tlačítko. Pro opětovné přehrání opakujte.

Funkce se budou podle jednotlivých zařízení lišit. Pro více informací o funkcích na vašem zařízení navštivte [MonsterProducts.com/mp3/ctuniversalworks.asp](http://MonsterProducts.com/mp3/ctuniversalworks.asp)

## Sluchátka „v záběhu“

Zabíhání sluchátek? To je vtip, že jo? Ne, není Jako jakýkoliv jiný složitý výrobek, ať jsou to auta nebo sluchátka, jedná se o mechanické zařízení, jehož funkce se používáním ustálí. Nová sluchátka od nás mají skvělý zvuk tak, jak je nová koupíte, ale po nějaké době používání „dozrají“ a jejich zvuk je ještě lepší. Doporučujeme sluchátka používat 8 hodin. Po 20 hodinách používání by měla být plně zaběhnutá. Přejeme dobrou zábavu.

## OMEZENÁ SPOTŘEBITELSKÁ ZÁRUKA

Společnost Monster, LLC, se sídlem na adrese 7251 West Lake Mead Blvd., Las Vegas, NV 89128, USA, **VEZMĚTE NA VĚDOMÍ, ŽE SPOLEČNOST MONSTER NEPŘIJÍMÁ VÝROBKÝ ZÁRUKU NA TUTO ADRESU - POSTUPUJTE PODLE POKYŇŮ „REKLAMACÍ POSTUP“** ZASLANÉ telefon +1(415) 840-2000 (dále jako „Monster“) poskytnuté na své zboží tuto omezenou záruku. Další práva mluvnice pro spotřebitele vyplývají z právního nebo zvykového práva. Tato nejsou touto zárukou dotčena.

### DEFINICE

**„Vhodné používání“** znamená osobní využívání výrobku (i) k soukromým (na rozdíl od obchodních) účelům, (ii) ve shodě s příslušným právem, zákony a předpisy (včetně, ale bez omezení na stažení zón nebo elektrochránkové vyhlášky), (iii) v souladu s doporučeními a pokyny výrobce, které jsou obsaženy v písemných podkladech dodávaných s výrobkem a (iv) podle potřeby musí být řádně uzemněny.

**„Autorizovaný prodejce“** je jakýkoliv distributor, předkupník nebo maloobchodník, který (i) je řádně oprávněn k podnikání a prodáje daného zboží podle zákonů v jurisdikci, v které bylo zboží zakoupeno, (ii) zakoupil zboží přímo od společnosti Monster nebo od třetí strany, která má se společností Monster smluvní vztah, a v souladu se schválenými obchodními podmínkami takové smlouvy a (iii) prodal zboží spotřebiteli nově a v jeho původním obalu.

**„Formální reklamacie“** je reklamacie provedená v souladu s kapitolou „Formální reklamacie“ dále.

**„Výrobek“** je výrobek, (i) který je uveden v tabulce podmínek níže, (ii) který spotřebitel zakoupil od autorizovaného prodejce, nově a v původním obalu a (iii) jehož výrobní číslo, pokud jej měl, nebylo odstraněno, poznamenáno nebo nečitelné.

**„Vada výrobku“** nebo **„Vadný výrobek“** znamená nedostatečnost výrobku, která existovala v době obdržení výrobku spotřebitelem od autorizovaného prodejce a která zapříčinuje neschopnost výrobku plnit svoji funkci podle dokomentu od společnosti Monster, které jsou dodávány spolu s výrobkem, pokud taková nedostatečnost plnit funkci nebyla zčásti nebo zcela způsobena (a) jakýmkoliv použitím, které se odchyloje od vhodného používání, (b) přepravou, zanedbáním, chybným použitím nebo zneužitím kýmkoliv jiným než zaměstnancem společnosti Monster; (c) pozmeněním, zásahem nebo úpravou výrobku kýmkoliv jiným než zaměstnancem společnosti Monster; (d) nehodou (jinou než ze závady výrobku, která by jinak byla označena jako vada výrobku); (e) údržbou nebo opravou výrobku kýmkoliv jiným než zaměstnancem společnosti Monster; (f) vystavením výrobku teple, jasnému světlu, slunci, kapalinám, pisku nebo jiným znečišťujícím látkám; nebo (g) konáním mimo kontrolu společnosti Monster, včetně, ale bez omezení na okolnosti vylučující zodpovědnost, požár, bouře, zemětřesení nebo záplavy či zátopy.

**„Záruční lhůta“** je doba, ve které musí společnost Monster obdržet formální záruční reklamaci. V tabulce podmínek níže jsou uvedeny různé záruční lhůty podle vad výrobku. Začátek záruční lhůty je datum zakoupení nebo obdržení (podle toho, které nastane později) výrobku od autorizovaného prodejce, které je doloženo fakturou od autorizovaného prodejce, prodejní strženkou nebo dodacím listem. Jestliže spotřebitel nemá písemný doklad o datu zakoupení nebo obdržení, je začátkem záruční lhůty datum tří (3) měsíce od data, kdy podle známosti společnosti Monster výrobek opustil společnost Monster nebo její výrobci prodeje. Záruční lhůta končí demno po uplynutí doby určené v tabulce podmínek nebo při přenosu vlastnictví výrobku, podle toho, k čemu dojde dříve. Dále je nutné, aby spotřebitel telefonicky kontaktoval společnost Monster a obdržel číslo reklamacie (jak je popsáno v kapitole „Reklamační postup.“) do dvou (2) měsíců od zjištění vady výrobku (nebo od doby zjištění vady, pokud byla taková vada výrobku zjevná).

**„Spotřebitel“** znamená první fyzickou osobu, která zakoupila výrobek v jeho původním obalu od autorizovaného prodejce. Tato omezená záruka se nevztahuje na osoby nebo subjekty, které zakoupily výrobek (i) jako použití nebo nezabalený, (ii) k dalšímu prodeji, pronájmu nebo jinému obchodnímu využití nebo (iii) od někoho jiného než od autorizovaného prodejce.

### ROZSAH TĚTO OMEZENÉ ZÁRUKY

**VÝROBKÝ.** Pokud byl výrobek obsažený vadou výrobku, když jej spotřebitel zakoupil od autorizovaného prodejce, a společnost Monster obdrží formální reklamaci od spotřebitele (i) do dvou (2) měsíců od zjištění takové vady výrobku (nebo od doby zjištění vady, pokud byla taková vada výrobku zjevná) a (ii) před koncem záruční lhůty na vadu výrobku, která se vztahuje na vadný výrobek, společnost Monster poskytne spotřebiteli jednu z následujících náprav: společnost Monster (1) opraví nebo vymění vadný výrobek, podle výhradního rozhodnutí společnosti Monster nebo (2) vrátí spotřebiteli peníze ve výši kupní ceny, kterou spotřebitel zaplatil společnosti Monster nebo autorizovanému prodejci za vadný výrobek,

jestliže oprava ani výměna nebyla obchodně uskutečnitelná nebo ji nelze včasné zajistit. POZNÁMKA: V PLNĚ MÍŘE, KTEROU UMOŽŇUJÍ PRÍSLUŠNÉ ZÁKONY, SE SPOLEČNOST MONSTER ZŘÍKA JAKÉKOLIV ZODPOVĚDNOST ZA JAKÉKOLIV NÁHODNÉ, NÁSLEDNÉ ČI NEPŘÍMÉ ŠKODY VE SPOJITOSTI S TOUTO OMEZENOU ZÁRUKOU.

### OBECNÉ USTANOVENÍ

**VOLBA PŘÁVA A SOUDNÍ PŮSOBNOST.** Tato omezená záruka a jakékoliv spory, které vzniknou z této omezené záruky nebo ve spojitosti s ní (dále jako „spory“) se budou řídit zákony soudní působnosti, ve které byl výrobek spotřebitelem zakoupen.

**DALŠÍ PŘÁVA.** TATO OMEZENÁ ZÁRUKA POSKYTUJE SPOTŘEBITELI URČITÁ ZÁKONNÁ PŘÁVA. PŘÍČEMŽ SPOTŘEBITEL MŮŽE MÍT DALŠÍ PŘÁVA, KTERÁ SE LIŠÍ PODEL JURISDIKCE A KTERÁ NEBUDOU TOUTO OMEZENOU ZÁRUKOU DOTČENA. TATO ZÁRUKA SE VZTAHUJE POUZE NA SPOTŘEBITELĚ A NELŽE JI PŘENÁŠET ANI PŘIDĚLOVAT. Jestliže je některé z opatření použito na omezené záruce nezákonně, neplatné nebo nevymahatelné, bude takové opatření považováno za vyřaditelné a nebude mít dopad na žádná zbyvajících opatření. V případě jakýchkoli rozporů mezi verzi v angličtině a jinými verzemi této omezené záruky bude mít přednost verze v angličtině.

**REGISTRACE.** Registrujte prosím svůj výrobek na webové adrese [www.MonsterProducts.com](http://www.MonsterProducts.com). Pokud registraci neprovedete, nebude to na úkor záručních práv spotřebitele.

### TABULKA PODMÍNEK

Model výrobku	Záruční lhůta na výrobek
Výrobek dodávaný s tímto záručním prohlášením	Jeden (1) rok na výrobek prodáváný v Severní, Jižní Americe a Asii Dva (2) roky na výrobek prodáváný v Evropě

### FORMÁLNÍ REKLAMACE

REKLAMACI ČÍSLO POSTUP V případě vady výrobku musí spotřebitel postupovat podle těchto pokynů: (1) telefonicky kontaktovat společnost Monster do dvou (2) měsíců od zjištění vady výrobku (nebo od doby, kdy mohl být taková vada výrobku zjištěna vzhledem k její ovidnosti); (2) uvést podrobný popis toho, jak k poškození došlo; (3) obdržet číslo reklamacie; (4) vrátit vadný výrobek, zasílkou na náklady spotřebitele (tyto náklady budou vráceny, pokud se jedná o oprávněnou reklamaci podle této omezené záruky), společnosti Monster k ověření poškození, společně s kopií dokladu o původním zakoupení (faktura nebo dodací list) na reklamovaný výrobek, vyplnění reklamaci formulář a reklamaci číslo, uvedené tiskacím písmem na vnější straně obalu (reklamační formulář bude obsahovat pokyny k vrácení reklamovaného zboží).

**TELEFONNÍ ČÍSLA.** Jestliže byl výrobek zakoupen ve Spojených státech, volejte 1-877-800-8989, v Latinské Americe do Mexika na 011-882-800-8989, v jihovýchodní Asii do Číny na 400-820-8973. Společnost Monster může kontaktovat na poštovní adrese Monster LLC, 455 Valley Drive, Brisbane, CA 94005, USA **VEZMĚTE NA VĚDOMÍ, ŽE SPOLEČNOST MONSTER NEPŘIJÍMÁ VÝROBKÝ ZÁRUKU ZASLANÉ NA TUTO ADRESU - POSTUPUJTE PODLE POKYŇŮ „REKLAMACÍ POSTUP“ VÝŠE.** Jestliže byl výrobek zakoupen v Austrálii, obraťte se na obchodního zástupce společnosti Monster, Conner International Pty Ltd (02 9700 0111), Unit 7, 1801 Botany Road, Bankmeadow, NSW 2019, Australia. Pokud byl výrobek zakoupen Indii, kontaktujte společnost Monster Technology International Ltd., Ballymalye Business Park, Gort Road, Ennis, Co. Clare, Ireland. Dále můžete využít jednu z následujících telefonických čísel:

<b>Spojených Státech</b>	1-877-800-8989
<b>Kanada</b>	866-348-4171
<b>Mexika</b>	011-882-800-8989
<b>Čína</b>	400-820-8973
<b>Irsko</b>	353 65 68 69 354
<b>Rakousko</b>	0800296482
<b>Belgie</b>	0800-79201
<b>Česká republika</b>	800-142471
<b>Dánsko</b>	8088-2128
<b>Finsko</b>	800-112768
<b>Francie</b>	0800-9181201
<b>Německo</b>	800-1819388
<b>Řecko</b>	0800-353-12008
<b>Itálie</b>	800-871-479
<b>Nizozemsko</b>	0800-0228919
<b>Norsko</b>	800-10906
<b>Rusko</b>	810-800-20051353
<b>Španělsko</b>	900-982-909
<b>Švédsko</b>	020-792650
<b>Švýcarsko</b>	0800834659
<b>Británie</b>	0800-0569520

**DALŠÍ POSTUP.** Společnost Monster určí, zda vada výrobku byla skutečná. Společnost Monster může, na základě vlastního uvážení, od spotřebitele žádat získání cenového odhadu za opravu v servisu. Pokud je vyžadován odhad ceny za opravu, obdrží spotřebitel pokyny k řádnému předložení odhadu a následné faktury společnosti Monster k proplacení. Společnost Monster může od jakýchkoliv proplátek za opravu vynechat.

**LHŮTY.** Pokud spotřebitel doručí formální reklamaci a splní všechny podmínky této omezené záruky, společnost Monster vymátlé veškeré úšlly, aby poskytl spotřebiteli nápravu do třiceti (30) dnů po obdržení formální reklamacie, pokud žijete ve Spojených státech (čtyřicet (45) dnů, pokud žijete jinde), neexistují-li překážky mimo kontrolu společnosti Monster, které postup zpomalí.

\* Naše zboží je dodáváno se zárukami, které nelze podle Spotřebitelských zákonů Austrálie vyloučit. Spotřebitel má v případě závazné záruky nárok na výměnu nebo vrácení peněz a na nahradu jakékoli jiní, přímé nebo nepřímé ztráty nebo škody, Spotřebitel má dále nárok na opravu nebo výměnu zboží, pokud zboží nevyhovuje přijatelné úrovni, přičemž tato závada nebude hodnotit jako závadu.

Ver:121912 - GLOBAL

©2003–2014 Monster, LLC



# (SK) Dôležité tipy spoločnosti Monster® ohľadom výkonnosti a bezpečnosti

## Počúvajte zodpovedne

Aby ste sa vyhlili poškodeniu sluchu, uistite sa, že hlasitosť na Vašom hudobnom prehrávači je pred zapojením slúchadiel stíšená. Po nasadení slúchadiel do/na uši hlasitosť postupne zvyšujte, kým nedosiahnete úroveň príjemnú na počúvanie.

Hladina zvuku sa meria v decibeloch (dB), vystavovanie sa zvuku 85 dB alebo viac môže spôsobiť postupnú stratu sluchu.

Kontrolujte používanie; strata sluchu je funkciou hlasitosti a času. Čím je to hlasnejšie, tým kratší čas tomu môžete byť vystavený. Čím je to tichšie, tým dlhšie môžete počúvať.

Táto tabuľka decibelov (dB) porovnáva niektoré bežné zvuky a naznačuje, kde sa nachádzajú na stupnici možnej škodlivosti pre sluch.

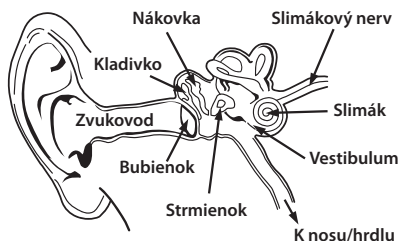
ZVUK	HLADINA ZVUKU (dB)	ÚČINOK
Šepot	30	Veľmi ticho
Tichá kancelária	50–60	Príjemné hladiny zvuku sú nižšie ako 60 dB
Vysávač, Sušič na vlasy	70	Rušivé; prekážajú pri telefonickom rozhovore
Mixér potravín	85–90	85 dB je hladina, pri ktorej poškodzovanie sluchu začína (8 hodín)
Smetiarске auto, Miešачka na cement	100	Viac ako 15 minút nechráneného vystavovania sa zvukom medzi 90–100 dB sa neodporúča
Motorová píla, Vrtáčka/Zbijačka	110	Pravidelné vystavovanie sa zvukom vyšším ako 100 dB na viac ako 1 minútu prináša riziko trvalej straty sluchu
Rokové koncerty (líšia sa)	110–140	Prah bolesti začína okolo 125 dB

Informácie v tabuľke sú z internetovej stránky [www.nidcd.nih.gov/health/education/teachers/pages/common\\_sounds.aspx](http://www.nidcd.nih.gov/health/education/teachers/pages/common_sounds.aspx)

Svoje vybavenie využite čo najlepšie a užite si vynikajúcu kvalitu zvuku aj na bezpečných hladinách. Naše slúchadlá vám umožnia počuť aj tie najjemnejšie zvuky na nižšej úrovni hlasitosti ako kedykoľvek predtým.

Naučte sa, ako zistiť bezpečnú hladinu počúvania, a prezrite si ostatné dôležité bezpečnostné usmernenia od Združenia spotrebiteľov elektroniky na [www.ce.org](http://www.ce.org). Dôležité informácie o tom, ako sa môžete vyhnúť strate sluchu spôsobenej nadmerným hlukom (NIHL), a úplný zoznam zvukov, ktoré môžu spôsobiť poškodenie, môžete nájsť na internetovej stránke Nadácie pre výskum hluchoty na [www.drh.org](http://www.drh.org).

## Fyziológia ucha a sluchu



Ďalšie informácie o tom, čo robí príliš hlasitý zvuk, ktorý prichádza do ucha a viac o ochrane sluchu nájdete na linke: [www.abelard.org/hear/hear.php#loud-music](http://www.abelard.org/hear/hear.php#loud-music)

## Používajte zodpovedne

Nepoužívajte slúchadlá, ak to nie je bezpečné—pri obsluhu vozidla, pri prechádzaní cez cestu, jazda na bicykli alebo počas akejkoľvek činnosti, či v prostredí, ktoré vyžaduje, aby ste venovali plnú pozornosť svojmu okoliu.

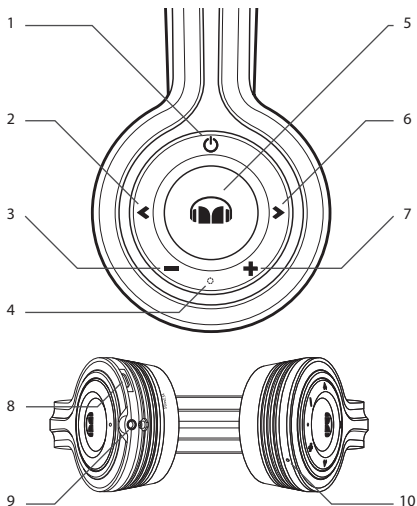
Je nebezpečné riadiť motorové vozidlo s nasadenými slúchadlami a na mnohých miestach je to protizákonné, pretože sa tak znižuje vaša šanca počuť život zachraňujúce zvuky mimo vozidla, ako napr. trbúbenie ineho auta a sirény vozidiel záchrannej služby.

Prosím vyvarujte sa noseniu slúchadiel počas jazdy vozidlom. Namiesto toho použite jeden z vysieláčov FM spoločnosti Monster, pomocou ktorého môžete počúvať svoje mobilné zariadenia.

## Čistenie

Utrite náušníky mäkkou handričkou navlhčenou v riedkom mydlovom roztoku.

## Tlačidlá a súčasti



Slúchadlá sa skladajú z týchto častí:

1. Multifunkčné tlačidlo (Zapnutie/Vypnutie, Párovanie, Aktivovanie hlasovej volby)
2. Predchádzajúca skladba
3. Zníženie hlasitosti
4. Kontrolka (viditeľná len keď svieti)
5. Tlačidlo Prehrať/Pozastaviť (Prijat/Ukončiť/Odmietnut hovor)
6. Nasledujúca skladba
7. Zvýšenie hlasitosti
8. Pripojenie nabíjačky
9. Port kábla 3,5 mm
10. Mikrofón

Pred použitím slúchadiel je potrebné nabiť batériu a správnat slúchadlá s kompatibilným zariadením. Slúchadlá Freedom budú pri pripojení káblom k telefónu alebo prehrávaču hudby fungovať bez nabitie batérie.



## Nabíjanie batérie

K slúchadlám je priložený kábel Micro USB, ktorý je možné pripojiť k počítaču alebo inému zariadeniu a nabíjať cez USB. Zapojte konektor Micro USB na priloženom kábli USB do konektora portu micro USB nabíjačky, ktorý je umiestnený pod ľavým náušníkom slúchadiel. Druhý koniec zapojte do portu USB na počítači alebo iných zariadeniach, ktorý slúži na nabíjanie cez USB. Počas nabíjania bude kontrolka svietiť červeným svetlom. Po úplnom nabití bude LED kontrolka svietiť zeleným svetlom. Doba nabíjania úplne vybitej batérie je 1,5 hodiny. Úplne nabitá batéria má energiu až na 10 hodín hovoru alebo hudby a až 100 hodín pohotovostného režimu.

**UPOZORNENIE:** (1) Pri likvidácii batérie dbajte na životné prostredie. Batéria musí byť správne recyklovaná alebo likvidovaná. Tento výrobok nesmie byť likvidovaný spolu s bežným domovým odpadom. Výrobok má byť likvidovaný na autorizovanom mieste, ktoré je určené na recyklovanie elektrických a elektronických prístrojov. Zhromažďovaním a recyklovaním odpadu pomáhate chrániť prírodné zdroje a zaistíte, že bude výrobok zlikvidovaný spôsobom prijateľným pre životné prostredie a zdravie. (2) Batérie nesmú byť vystavené nadmernému teplu, ako je napríklad slnečný svit, oheň a podobne. (3) NEROZOBERAJTE ani nevymieňajte batériu. Ak máte podozrenie, že batéria nie je v poriadku, zaneste prístroj do servisného strediska.

## Zapnutie

Zapnete tak, že stlačíte multifunkčné tlačidlo a asi dve sekundy podržte. Slúchadlá vzostupne zapájajú a na chvíľu sa rozsvieti zelená kontrolka. Keď sa slúchadlá pokúšajú pripojiť k naposledy použitému telefónu alebo prehrávaču hudby, červená kontrolka bude pomaly blikať. Keď sú slúchadlá pripojené k zariadeniu a pripravené na použitie, pomaly bliká modrá kontrolka. Ak slúchadlá nie sú spárované so zariadením, automaticky prejdú do režimu párovania.

## Vypnutie

Ak chcete vypnúť, stlačte multifunkčné tlačidlo a asi tri sekundy podržte. Slúchadlá zostupne zapájajú a na chvíľu sa rozsvieti červená kontrolka. Ak slúchadlá nie sú 10 minút pripojené k zariadeniu, automaticky sa vypnú.

## Párovanie

1. Uistite sa, či je telefón alebo prehrávač hudby zapnutý.
2. Ak chcete spárovať slúchadlá, ktoré predtým neboli so zariadením spárované, zapnite ich. Slúchadlá prejdú do režimu párovania a rýchlo začne blikať modrá a červená kontrolka. Ak chcete spárovať slúchadlá, ktoré boli predtým spárované s iným zariadením, uistite sa, či sú slúchadlá vypnuté a stlačte a podržte multifunkčné tlačidlo (asi päť sekúnd), kým nezačne rýchlo blikať modrá a červená kontrolka.
3. Aktivujte funkciu *Bluetooth*® na telefóne alebo prehrávači hudby a nastavte ich na vyhľadávanie zariadení.
4. V zozname nájdených zariadení na telefóne alebo prehrávači hudby vyberte položku „**Freedom**“.
5. Ak je to potrebné, zadajte prístupový kód **0000** a spárujte a pripojte slúchadlá k zariadeniu.

## Nastavenie hlasitosti

Ak chcete nastaviť hlasitosť slúchadiel, počas hovoru alebo počúvania hudby stlačte tlačidlo zvýšenia alebo zníženia hlasitosti. Ak chcete rýchlo nastaviť hlasitosť, stlačte a podržte jedno z týchto tlačidiel.

**UPOZORNENIE:** Nadmerný zvukový tlak so slúchadiel môže spôsobiť stratu sluchu.

## Hovory

Ak chcete volať, použite mobilný telefón rovnakým spôsobom, ako keď je k nemu pripojená slúchadlová súprava.

Ak chcete aktivovať funkciu hlasovej voľby (ak telefón podporuje túto funkciu so slúchadlovou súpravou), keď neprebíha hovor rýchlo dvakrát stlačte multifunkčné tlačidlo, kým telefón nezačne s hlasovou voľbou, a pokračujte podľa návodu k telefónu.

Ak chcete prijať alebo ukončiť hovor, rýchlo stlačte tlačidlo **Prehrať/Pozastaviť**. Ak chcete hovor odmietnuť, stlačte tlačidlo **Prehrať/Pozastaviť** a asi dve sekundy podržte.

Ak chcete prepnúť prebiehajúci hovor zo slúchadiel na pripojený telefón, stlačte tlačidlo **Prehrať/Pozastaviť** a asi dve sekundy podržte. Ak chcete prepnúť prebiehajúci hovor z telefónu na slúchadlá, stlačte tlačidlo **Prehrať/Pozastaviť** a asi dve sekundy podržte.

## Odpojenie slúchadiel

Ak chcete odpojiť slúchadlá od zariadenia, vypnite ich alebo ich odpojte cez ponuku *Bluetooth* na zariadení.

## Opätovné pripojenie slúchadiel

Ak chcete pripojiť slúchadlá k telefónu alebo prehrávaču hudby, ku ktorým boli naposledy pripojené, zapnite slúchadlá, prípadne nadviažte pripojenie cez ponuku *Bluetooth* na zariadení.

## Počúvanie hudby

Ak chcete počúvať hudbu, pripojte slúchadlá ku kompatibilnému prehrávaču hudby, ktorý podporuje profil *A2DP Bluetooth*. Dostupné funkcie hudby závisia od prehrávača hudby.

Ak počas počúvania hudby prijmete hovor alebo voláte, hudba je pozastavená, kým sa hovor neskončí.

Ak chcete prehrať skladbu, vyberte ju v prehrávači hudby a stlačte tlačidlo **Prehrať/Pozastaviť** na slúchadlách *iSport® Freedom*. Ak chcete pozastaviť prehrávanie skladby alebo v nej pokračovať, stlačte tlačidlo **Prehrať/Pozastaviť**.

Ak chcete počas prehrávania vybrať nasledujúcu skladbu, rýchlo stlačte tlačidlo **Nasledujúca skladba**. Ak chcete vybrať predchádzajúcu skladbu, stlačte rýchlo (raz alebo dvakrát) tlačidlo **Predchádzajúca skladba**. Ak chcete rýchlo previať aktuálnu skladbu, stlačte a podržte jedno z týchto tlačidiel.

## Vymazanie nastavení alebo vynulovanie

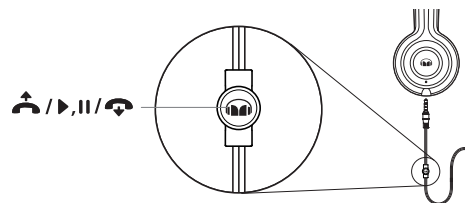
Ak chcete zo slúchadiel vymazať nastavenie párovania, vypnite slúchadlá a stlačte a podržte súčasne multifunkčné tlačidlo a tlačidlo **Zníženie hlasitosti** (po dobu viac ako osem sekúnd), kým trikrát striedavo nezabliká červená a modrá kontrolka.

Ak chcete slúchadlá vynulovať, pripojte ich k nabíjačke a súčasne stlačte multifunkčné tlačidlo a tlačidlo **Zvýšenie hlasitosti**.

## Pasívny režim

k chcete ušetriť energiu batérií, môžete *iSport® Freedom* používať ako káblové slúchadlá. Stačí pripojiť jeden koniec priloženého kábla **ControlTalk Universal™** k spodnej časti náušníka a druhý koniec do prehrávača MP3. Po zapojení audio kábla sa deaktivujú bezdrôtové funkcie.

## Používanie diaľkového ovládača **ControlTalk Universal™**



Diaľkový ovládač **ControlTalk Universal™** na kábli obsahuje jedno tlačidlo na ovládanie a vstavaný mikrofón, ktoré umožňujú jednoduché prepínanie medzi počúvaním hudby a hands-free hovorením do telefónu.

Pripojenie vykonáte zapojením konca kábla slúchadiel iSport® Freedom, ktorý je najbližšie k diaľkovému ovládaču ControlTalk Universal™, do spodnej časti ľavej mušle slúchadiel; druhý koniec zapojte do 1/8" (3,5 mm) konektora výstupu stereofónneho signálu na vašom hudobnom prehrávači.

**Priateľ hovor:** Pri upozornení na prichádzajúci hovor stlačte a uvoľnite tlačidlo na ovládanie na diaľkovom ovládači ControlTalk Universal™, čím hovor prijmete.

**Skončenie hovoru:** V prípade väčšiny telefonov stlačte a uvoľnite tlačidlo na ovládanie. Niektoré telefóny vyžadujú stlačenie a podržanie tlačidla na ovládanie.

**Používanie funkcie čakajúceho hovoru:** Väčšina (ale nie všetky) telefónov funguje nasledovne: Pri upozornení na prichádzajúci hovor počas už prebiehajúceho hovoru stlačením a uvoľnením tlačidla na ovládanie hovor prijmete a prvý hovor podržite. Prepnutie naspäť na prvý hovor vykonáte stlačením a uvoľnením tlačidla na ovládanie. Stlačením a podržaním tlačidla na ovládanie skončíte aktuálny hovor a prepnete naspäť na podržaný hovor.

**Prehrávanie alebo pozastavenie prehrávania skladby alebo videa:** Stlačte a uvoľnite stredné tlačidlo. To isté zopakujte na obnovenie prehrávania.

Funkcie sa líšia v závislosti na zariadení. Viac informácií o funkciách pre vaše zariadenie nájdete na stránke [MonsterProducts.com/mp3/ctuniversalworks.asp](http://MonsterProducts.com/mp3/ctuniversalworks.asp)

## „Zabehnutie“ slúchadiel

Čas na zabehnutie slúchadiel? Zartujeme, však? Nie, nezartujeme. Ako pri všetkých vysokovýkonných výrobkoch, či už ide o autá alebo telefóny, sú to mechanické zariadenia, ktoré sa po použití ustália. Vaše nové slúchadlá budú mať neuveriteľný zvuk hneď, ako ich vyberiete z krabíčky, ale až použitím "sa zjemnia" a zvuk bude ešte lepší. Odporúčame nechať ich hrať 8 hodín. Po 20 hodinách hrania by mali byť plne zabehnuté. Užite si to.

## OBMEDZENÁ ZÁRUKA PRE SPOTREBITEĽOV

Monster, LLC, 7251 West Lake Mead Blvd., Las Vegas, NV 89128, USA, [UPOZORUJEME, ŽE SPOLOČNOSŤ MONSTER NEAKCEPTUJE VÝROBKÝ ZASLANÉ NA TÚTO ADRESU – POSTUPITE PODĽA POKYNOV UVEDENÝCH NIŽŠIE V ČASTI, AKO REKLAMOVÁŤ] (415) 840-2000. (Monster) Vám poskytuje túto obmedzenú záruku. Statutárne a zlykové právo Vám môžu poskytnúť ďalšie práva alebo nápravné prostriedky, ktoré touto obmedzenou zárukou nebudú dotknuté.

### VYMEDZENÉ POJMOV

„Vhodné použitie“ znamená osobné použitie výrobku (i) na súkromné účely (na rozdiel od komerčných), (ii) v súlade so všetkými platnými právnymi predpismi, zákonníci a nariadeniami (vrátane predpisov o konštrukcii a/alebo elektrotechnických predpisov), (iii) v súlade s odporúčaniami a/alebo pokynmi výrobku uvedenými v materiáloch a dokumentoch pripojených k výrobku a (iv) v prípade, že je to vhodné, so správnym elektrickým uzemnením.

„Autorizačný predajca“ je každý distribútor, sprostredkovateľ alebo maloprodajca, ktorý (i) bol riadne oprávnený na vykonávanie podnikateľskej činnosti a má povolenie na predaj výrobku podľa právnych predpisov jurisdikcie, kde ste si výrobok zakúpili, (ii) zakúpil výrobok priamo od spoločnosti Monster alebo od strany, ktorá je so spoločnosťou Monster v zmluvnom vzťahu, a v súlade so schválenými podmienkami tejto zmluvy, a (iii) predal Vám výrobok ako nový a v pôvodnom balení.

„Formálna záručná reklamácia“ je reklamácia vykonaná v súlade s tu uvedenou časťou „Formálna záručná reklamácia“.

„Výrobok“ znamená výrobok, (i) ktorý je uvedený v tabuľke špecifických nižšie, (ii) ktorý ste si zakúpili od autorizovaného predajcu ako nový a v pôvodnom balení, a (iii) ktorého výrobné číslo, ak existuje, nebolo odstránené, zmenené alebo poškodené.

„Vada výrobku“ alebo „Chybný výrobok“ znamená neprimeraný stav výrobku, ktorý existoval v čase, keď ste výrobok prijali od autorizovaného predajcu, a ktorý spôsobuje zlyhanie fungovania výrobku v súlade so spravidelnou dokumentáciou výrobku od spoločnosti Monster, pokiaľ toto zlyhanie nebolo úplne alebo čiastočne spôsobené (a) akýmkoľvek nevhodným použitím; (b) prepravou, nebanalitou, nesprávnym použitím alebo zneužitím inými osobami než pracovníkmi spoločnosti Monster; (c) zmenou, manipuláciou alebo modifikáciou inou osobou než pracovníkom spoločnosti Monster; (d) poruchou (inou ako nesprávne fungovanie, ktorú by bolo inak kvalifikované ako vada výrobku); (e) ťažkou alebo opravou výrobku inou osobou než pracovníkom spoločnosti Monster; (f) vystavením výrobku účinkom tepla, ostrého svetla, sĺnka, kvapalín, piesku alebo inej nečistoty alebo (g) okolnostami mimo kontroly spoločnosti Monster vrátane pôsobenia vyššej moci, požiaru, búrky, zemetrasenia alebo povodne.

„Záručná doba“ je časové obdobie, počas ktorého spoločnosť Monster môže prijať Vašu formálnu záručnú reklamáciu. Rôzne záručné doby týkajúce sa väd výrobkov sú uvedené v tabuľke špecifických nižšie. Záručná doba začína plynúť dňom, keď ste si výrobok zakúpili alebo prijali (podľa toho, čo nastane skôr) od autorizovaného predajcu, ktorý je uvedený na faktúre, predajnom doklade alebo dodacím liste autorizovaného predajcu. Ak nemáte písomný doklad o dátume zakúpenia alebo prijatia, potom záručná doba začína plynúť tri (3) mesiace od dňa, keď výrobok opustil spoločnosť Monster alebo jeho záručí, podľa známom spoločnosti Monster. Záručná doba končí uplynutím lehoty stanovenej v tabuľke špecifických alebo po tom, ako vlastníctvo k výrobku preniesate na inú osobu, podľa toho,

čo nastane skôr. Taktiež do dvoch (2) mesiacov, odkedy ste zistili vadu výrobku (alebo mali zistiť, ak táto vada výrobku bola zjavná), musíme zavolať do spoločnosti Monster a získať autorizačné číslo vrátenia tovaru (ako je uvedené v časti „AKO REKLAMOVÁŤ“).

„Vý“, ako aj všetky gramatické a významové variaty tohto slova, znamená jednotlivého, ktorý si zakúpil výrobok v pôvodnom balení od autorizovaného predajcu. Táto obmedzená záruka sa nevzťahuje na osoby alebo subjekty, ktoré si zakúpili výrobok (i) v použiteľnom nezábalenom stave, (ii) na ďalší predaj, prenájom alebo iné komerčné využitie alebo (iii) od niekoho iného než od autorizovaného predajcu.

### ROZSAH TEJTO OBMEDZENEJ ZÁRUKY

**VÝROBKY.** Ak výrobok v čase, keď ste si ho zakúpili od autorizovaného predajcu, mal vadu výrobku a spoločnosť Monster prijala od Vás formálnu záručnú reklamáciu (i) do dvoch (2) mesiacov, odkedy ste túto vadu zistili (alebo mali zistiť, ak táto vada výrobku bola zjavná) a (ii) pred koncom záručnej doby pre vadu výrobku vztahujúca sa na chybný výrobok, potom Vám spoločnosť Monster poskytne niektorý z nasledujúcich nápravných prostriedkov: spoločnosť Monster (1) chybný výrobok opraví alebo, podľa vlastného uváženia, nahradí alebo (2) ak oprava alebo nahradenie chybného výrobku nie je ekonomicky reálne alebo nemôže byť urobené včas, vráti Vám kúpnu cenu, ktorú ste za chybný výrobok zaplatili spoločnosti Monster alebo autorizovanému predajcovi. POZNÁMKA: V PLNOM ROZSAHU, KTORÝ POUVOLI JÚ PRÁVNE PREDPISY, SPOLOČNOSŤ MONSTER V RÁMCI TEJTO OBMEDZENEJ ZÁRUKY NENESIE ZIADNU ZODPOVEDNOSŤ ZA AKÉKOLYVEK NÁHODNÉ, NÁSLEDNÉ ALEBO NEPRÍAME ŠKODY.

### VŠEOBECNE USTANOVENIA

**VOĽBA PRÁVA JURISDIKÍCIE.** Táto obmedzená záruka a akékoľvek spory vyplývajúce alebo súvisiace s touto obmedzenou zárukou („spory“) sa budú riadiť podľa právnych predpisov jurisdikcie, v ktorej ste si výrobok zakúpili.

**INÉ PRÁVA.** TÁTO OBMEDZENÁ ZÁRUKA VÁM POSKYTUJE OSOBNÉ ZÁKONNÉ PRÁVA. TAKTIEŽ MÔŽETE MAŤ AJ INÉ PRÁVA, KTORÉ SA V ZÁVISLOSTI OD JURISDIKÍCIE ODLIŠUJÚ A KTORÉ TOUTO OBMEDZENOU ZÁRUKOU NEBUDÚ DOTKNUTÉ. TÁTO ZÁRUKA SA VZŤAHUJE IBA NA VÁŠ A NEMÔŽE BYŤ PREDNEBUDNÉ ALEBY POSTUPENÉ NA INÚ OSOBU. Ak je ktorékoľvek ustanovenie tejto obmedzenej záruky protizákonné, neplatné alebo právne neúčinné, bude sa toto ustanovenie považovať za oddeliteľné a nebude mať vplyv na ziadne ostatné ustanovenia. V prípade akéhokoľvek rozporu medzi anglickou verziou a inými verziami tejto obmedzenej záruky bude rozhodujúca anglická verzia.

**REGISTRÁCIA.** Zaregistrujte si, prosím, svoj výrobok na [www.MonsterProducts.com](http://www.MonsterProducts.com). Neregistrovanie výrobku neobmedzuje Vaše záručné práva.

### TABUĽKA ŠPECIFIKÁCIÍ

Model výrobku	Záručná doba na výrobok
Výrobok, ku ktorému je priložený tento záručný list.	Jeden (1) rok na výrobok predávaný v Severnej a Južnej Amerike a v Ázii a Tichomorí Dva (2) roky pre výrobok predávaný v Európe

### FORMÁLNA ZÁRUČNÁ REKLAMÁCIA

**AKO REKLAMOVÁŤ.** V prípade vady výrobku musíte postupovať podľa nasledujúcich pokynov: (i) Do dvoch (2) mesiacov od kedy, ako ste vadu výrobku zistili alebo mohli zistiť, ak táto vada výrobku bola zjavná), zavolať do spoločnosti Monster. (2) Podrobne vysvetlite, ako ku škode došlo. (3) Získajte autorizačné číslo vrátenia tovaru. (4) Odoslať výrobok do spoločnosti Monster s vhodnými prepravnými nákladmi (ktoré Vám budú vrátené, ak máte nárok na nápravný prostriedok v rámci tejto obmedzenej záruky) s cieľom overenia škody spolu s kópiou Vašho originálu predajného dokladu alebo dokladu o kúpe (faktúra alebo dodací list) tóto výrobku, vyplneným reklamným formulárom a autorizačným číslom vrátenia výrobku vytlačeným na vonkajšej strane vrätneho balíka (reklamný formulár bude obsahovať pokyny na vrátenie).

**TELEFÓNNE ČÍSLA.** Ak ste si výrobok zakúpili v Spojených štátoch (1-877-800-8989), Latinskej Amerike (Mexiko 011-862-800-8989) alebo Ázii a Tichomorí (Čína 400-820-8973), kontaktujte spoločnosť Monster, LLC, prostredníctvom pošty na adrese 455 Valley Drive, Brisbane, CA 94005 (UPOZORUJEME, ŽE SPOLOČNOSŤ MONSTER NEAKCEPTUJE VÝROBKÝ ZASLANÉ NA TÚTO ADRESU – POSTUPITE PODĽA POKYNOV UVEDENÝCH VYŠŠIE V ČASTI, AKO REKLAMOVÁŤ). Ak ste si výrobok zakúpili v Austrálii, kontaktujte zástupcu spoločnosti Monster, Convoy International Pty Ltd. (02 9700 0111), Unit 7, 1801 Botany Rd, Banksmeadow, NSW 2019 Austrália. Ak ste si výrobok zakúpili inde, kontaktujte spoločnosť Monster Technology International Ltd., Ballymally Business Park, Gort Road, Ennis, Co. Clare, Ireland. Môžete použiť niektoré z nasledujúcich telefónnych čísel: Kanada 866-348-7171, Irsko 353 65 68 69 354, Rakúsko 0800296482, Belgicko 800-79201, Česká republika 800-142471, Dánsko 8088-2128, Fínsko 800-112768, Francúzsko 0800-918201, Nemecko 0800-1819388, Grécko 08000-353-12008, Taliansko 800-871-479, Holandsko 0800-028919, Nórsko 800-10966, Rusko 810-800-20051333, Španielsko 900-982-909, Švédsko 020-792650, Švajčiarsko 0800834659, Veľká Británia 0800-0569520.

**ĎALŠÍ POSTUP.** Spoločnosť Monster zistí, či vada výrobku skutočne existovala. Spoločnosť Monster Vám môže, podľa svojho uváženia, nariadiť, aby ste zistili odhad nákladov na opravu v servisnom stredisku. Pokiaľ sa vyžaduje odhad nákladov na opravu, budete počení o tom, ako správne predložiť spoločnosti Monster odhad nákladov a výslednú faktúru na úhradu. Všetky predložiť za opravy sme dojednávajú spoločnosť Monster.

**LEHOTY.** Ak predložíte formálnu záručnú reklamáciu a dodržíte všetky podmienky tejto obmedzenej záruky, spoločnosť Monster vynaloží všetko úsilie na to, aby Vám poskytla náhradu do tridsiatich (30) dní od prijatia Vašej formálnej záručnej reklamácie (ak byvate v Spojených štátoch – tridsaťštyri (45) dní, ak byvate inde), pokiaľ poskyť, ktoré sú mimo kontroly spoločnosti Monster, tento proces nezdĺha.

\* Na náš tovar sa poskytujú záruky, ktoré podľa Austrálskeho spotrebiteľského zákona nie je možné vylúčiť. Máte nárok na náhradu alebo vrátenie financií za závažné zlyhanie výrobku a kompenzáciu za akékoľvek inu dôvodne predvidateľnú stratu alebo poškodenie. Máte tiež právo na opravu alebo výmenu výrobkov, ak výrobky nemajú prijateľnú kvalitu a záväda nie je zväžná.

Ver.121912 – GLOBAL

©2007-2014 Monster, LLC

# (RU) Важная информация о функциональных особенностях и технике безопасности Monster®

## Не превышайте допустимый уровень громкости

Во избежание поражения органов слуха перед подключением наушников обязательно убавьте громкость своего музыкального проигрывателя. После вставки или надевания наушников постепенно увеличивайте громкость до достижения комфортного уровня звучания.

Уровень звукового давления измеряется в децибелах (дБ). Воздействие звукового давления уровня 85 дБ и выше на органы слуха может привести к постепенному ухудшению слуха.

Следите за уровнем громкости, с которым Вы прослушиваете различные композиции. Ухудшение слуха—это функция зависимости громкости звука от времени. Чем громче звук, тем меньше промежутков времени, за который Вы можете повредить свой слух. Чем меньше уровень громкости звука, тем дольше его можно слушать.

В представленной таблице уровней громкости (значения указаны в дБ) сравниваются различные звуки и потенциал их негативного влияния на органы слуха.

ЗВУК	УРОВЕНЬ ЗВУКОВОГО ДАВЛЕНИЯ (дБ)	ЭФФЕКТ
Шепот	30	Очень тихо
Тихий офис	50–60	Уровень громкости, не вызывающий неприятных ощущений при прослушивании, находится в пределах 60 дБ
Пылесос, Фен	70	Назойливый звук; мешает разговаривать по телефону
Блендер	85–90	85 дБ - это уровень громкости звука, на котором начинается поражение органов слуха (после 8 часов прослушивания)
Мусоровоз Бетономешалка	100	Звуки с уровнем громкости в пределах 90–100 дБ не рекомендуются прослушивать более 15 минут без средств защиты органов слуха
Бензо- или электропила, Дрель, Отбойный молоток	110	Регулярное прослушивание звуков с уровнем громкости более 100 дБ в течение более 1 минуты грозит полной потерей слуха
Рок-концерт (значения могут отличаться)	110–140	Болевой порог находится на отметке около 125 дБ

Источник информации, представленной в таблице: [www.nidcd.nih.gov/health/education/teachers/pages/common\\_sounds.aspx](http://www.nidcd.nih.gov/health/education/teachers/pages/common_sounds.aspx)

Извлекайте максимум возможностей из своего оборудования и наслаждайтесь отличным качеством воспроизведения даже на безопасных уровнях громкости. Наши наушники позволят Вам слышать больше деталей на более низком уровне громкости, чем когда-либо раньше.

Научитесь устанавливать безопасный уровень громкости, а также ознакомьтесь с другими важными правилами техники безопасности, установленных Ассоциацией бытовой электроники (Consumer Electronics Association), на веб-сайте [www.ce.org](http://www.ce.org). Для получения важной информации о том, как предотвратить потерю слуха от воздействия шума, а также полный список источников шума, которые могут привести к поражению органов слуха, зайдите на веб-сайт Организации по изучению патологии органов слуха (Deafness Research Foundation) [www.drfo.org](http://www.drfo.org).

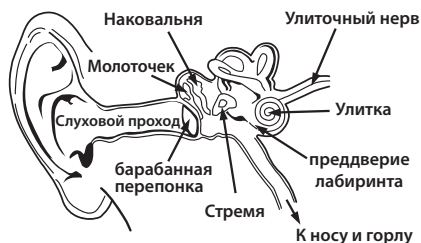
## Физиология органов слуха

Для получения дополнительной информации о том, какое воздействие на ваш слух оказывает громкий звук, перейдите по ссылке [www.labelard.org/hear/hear.php#loud-music](http://www.labelard.org/hear/hear.php#loud-music)

## Относитесь к этому с полной ответственностью

Не используйте наушники, когда это небезопасно, а именно: при управлении автомобилем, при поездках на велосипеде, когда Вы переходите улицу, или в процессе осуществления любой деятельности или в любой среде, где требуется Ваше внимание к окружающей обстановке.

Во время управления транспортным средством использовать наушники небезопасно, а во многих странах еще и запрещается



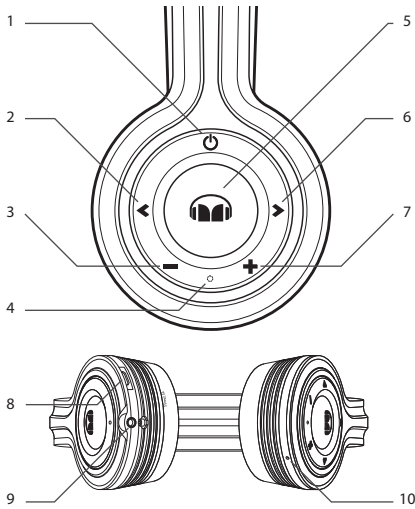
законом, поскольку это снижает Ваши шансы услышать звуки, имеющие жизненно важное значение, за пределами транспортного средства, например звуковые сигналы других автомобилей и сирены транспортных средств специальных служб.

Избегайте использования наушников при управлении транспортными средствами. Вместо этого для прослушивания музыки с Ваших портативных устройств используйте один из FM-передатчиков Monster.

## Чистка

Протрите чашки наушников мягкой тряпкой, смоченной в мыльном растворе.

## Клавиши и составные части



Наушники состоят из следующих частей:

- |  |   |
|--|---|
| 1. Многофункциональная клавиша (питание вкл./откл., сопряжение, активация голосового звонка) | 5. Воспроизведение/пауза (ответить/завершить/отклонить вызов) |
| 2. Прокрутка назад   | 6. Прокрутка вперед   |
| 3. Уменьшение громкости  | 7. Повышение громкости  |
| 4. Светодиодный индикатор (видим только при включенном состоянии)                            | 8. Подключение зарядного устройства                           |
|  | 9. Порт для 3,5-мм кабеля                                     |
|  | 10. Микрофон  |

Прежде чем вы начнете пользоваться наушниками, зарядите аккумуляторную батарею и спрячьте наушники с совместимым устройством. Freedom способен работать без заряженной батареи, если он подключен через кабель к телефону или музыкальному проигрывателю.

## Зарядите аккумуляторную батарею

Наушники поставляются с микро-USB-кабелем, который может быть подключен к вашему компьютеру или иному устройству, предназначенному для зарядки через USB-кабель. Вставьте разъем микроUSB прилагаемого кабеля USB в порт зарядного устройства микроUSB, расположенный под левой чашечкой наушников. Вставьте второй конец в порт USB вашего компьютера или другого устройства, предназначенного для зарядки через USB-кабель. В процессе зарядки будет гореть красный свет светодиодного индикатора. Зеленый свет светодиодного индикатора включится только при полной зарядке аккумуляторной батареи. Время для полной зарядки разряженного аккумулятора — 1,5 часа. Полностью заряженного аккумулятора хватает на 10 часов разговора и/или прослушивания музыки и на 100 часов работы в режиме ожидания.

**ВНИМАНИЕ!** (1) При утилизации аккумулятора просим обратить внимание на экологические аспекты. Аккумуляторная батарея должна быть переработана или утилизирована надлежащим образом. Запрещается выбрасывать батареи с бытовым мусором. Настоящий продукт должен утилизироваться в специально отведенных под утилизацию электрического и электронного оборудования местах. Собирая и перерабатывая мусор вы помогаете сохранить природные ресурсы; удостоверьтесь в том, что продукт утилизируется экологически приемлемым и безопасным способом. (2) Аккумуляторные батареи (пакет с аккумуляторными батареями или установленные батареи) не должны подвергаться чрезмерному нагреванию, например, под воздействием солнечных лучей, огня и т. д. (3) Не извлекайте и не меняйте батарею. Если у вас возникли подозрения в неисправности батареи, отнесите устройство в сервисный центр.

## Включение

Для включения устройства нажмите и удерживайте многофункциональную клавишу в течение двух секунд. Наушники издадут усиливающийся звуковой сигнал, включится постоянный зеленый свет светодиодного индикатора. При попытке подключения наушников к устройству, на котором оно уже использовалось в последний раз, медленно мигает красный свет светодиодного индикатора. Когда наушники уже подсоединены к устройству и готовы к использованию, медленно мигает синий свет светодиодного индикатора. Если наушники не были сопряжены с устройством, они автоматически переходят в режим сопряжения.

## Выключение

Для отключения устройства нажмите и удерживайте многофункциональную клавишу в течение трех секунд. Наушники издадут нисходящий звуковой сигнал, включится постоянный красный свет светодиодного индикатора. Если наушники не будут подключены к устройству в течение 10 минут, они автоматически отключатся.

## Сопряжение

1. Удостоверьтесь в том, что ваш телефон или плеер включены.
2. Включите наушники для сопряжения наушников с каким-либо устройством в случае, если они не были до этого с ним сопряжены. При входе наушников в режим сопряжения часто мигает синий и красный свет светодиодного индикатора. Для сопряжения наушника, если он был до этого подключен к другому устройству, удостоверьтесь, что наушник отключен, нажмите и удерживайте многофункциональную клавишу (в течение примерно пяти секунд) до тех пор, пока быстро замигает синий и красный свет светодиодного индикатора.
3. Активируйте на вашем телефоне или музыкальном плеере функцию *Bluetooth*<sup>®</sup> и дайте возможность поиска устройств с функцией *Bluetooth*.
4. Выберите **Freedom** из перечня найденных в вашем телефоне или музыкальном плеере устройств.
5. Для подключения наушников к вашему устройству при необходимости введите пароль **0000**.

## Регулировка громкости

Для регулировки громкости наушников в процессе телефонного разговора или прослушивания музыки нажмите на клавишу повышения и понижения громкости. Для быстрой регулировки громкости нажмите и удерживайте любую клавишу.

**ВНИМАНИЕ!** Чрезмерный уровень звука из наушников может привести к потере слуха.

## Звонки

Для осуществления звонков с вашего мобильного телефона при подключенных наушниках пользуйтесь телефоном обычным способом.

Для активации голосового звонка (если ваш телефон поддерживает эту функцию при включенных наушниках) при отсутствии активного разговора по телефону дважды нажмите на многофункциональную клавишу, после чего последует голосовой звонок и процесс, описанный в руководстве по использованию телефона.

Для ответа или завершения вызова быстро нажмите на клавишу «Воспроизведение/пауза». Для отказа приема вызова нажмите и удерживайте клавишу «Воспроизведение/пауза» в течение двух секунд.

Для переключения звонка (активного) с наушников на подключенный телефон нажмите и удерживайте клавишу «Воспроизведение/пауза» в течение примерно двух секунд. Для переключения звонка (активного) с телефона на наушники нажмите и удерживайте клавишу «Воспроизведение/пауза» в течение примерно двух секунд.

## Отсоединение наушники

Для отсоединения наушников от вашего устройства выключите наушники или отключите их в меню *Bluetooth* вашего устройства.

## Повторное подключение наушников

Для подключения наушников к телефону или музыкальному плееру, использованному вами в связке с наушниками, включите наушники или подключите их в меню *Bluetooth* вашего устройства.

## Воспроизведение музыки

Для того, чтобы слушать музыку, подключите наушники, совместимые с музыкальным плеером, поддерживающим функцию *A2DP Bluetooth*. Доступность функции зависит от вашего музыкального плеера.

При поступлении или произведении вызовов по телефону в процессе прослушивания музыки музыка временно приостанавливается до завершения вызова.

Для воспроизведения, выбора песни в плеере нажмите на наушниках *iSport® Freedom* на клавишу «Воспроизведение/пауза». Для приостановки или воспроизведения музыки нажмите на клавишу «Воспроизведение/пауза».

Для выбора следующей песни быстро нажмите на клавишу «Прокрутка вперед». Для выбора предыдущей песни нажмите (один или два раза) на клавишу «Прокрутка назад». Для быстрого воспроизведения текущей песни нажмите и удерживайте любую клавишу.

## Сброс установок и настроек

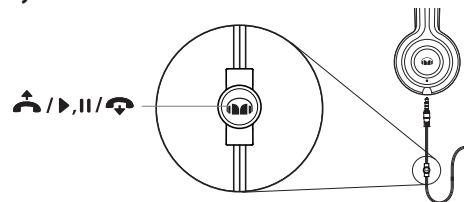
Для сброса параметров сопряжения наушников отключите наушники, нажмите и удерживайте многофункциональную клавишу и клавишу уменьшения громкости (более восьми секунд) до тех пор, пока трижды по очереди загорится красный и синий свет светодиодного индикатора.

Для сброса настроек наушников подключите зарядное устройство и нажмите обе клавиши — многофункциональную и клавишу повышения громкости.

## Пассивный режим

Для экономии заряда батареи вы можете пользоваться *iSport® Freedom* как проводными наушниками. Просто подключите один конец прилагаемого кабеля *ControlTalk Universal™* к нижней части наушников, а второй конец — к вашему MP3-плееру. При подключении аудиокабеля функция беспроводной передачи звука отключается.

## Пульт ControlTalk Universal™



На пульте дистанционного управления *ControlTalk Universal™*, размещенном на кабеле, есть единая кнопка управления и встроенный микрофон, которые позволяют вам быстро и легко переключаться с прослушивания музыки на разговор по телефону по громкой связи.

Чтобы установить соединение, вставьте штекер кабеля наушников *iSport® Freedom*, который находится ближе к пульту *ControlTalk Universal™*, в гнездо, расположенное под левой чашкой наушников. Другой конец кабеля вставьте в гнездо 3,5 мм ( $\frac{1}{8}$ " стерео) на вашем музыкальном плеере.

**Ответы на звонки:** Для ответа на входящий звонок после получения сигнала о звонке нажмите и отпустите кнопку управления на пульте *ControlTalk Universal™*.

**Окончание разговора:** На большинстве телефонов нужно нажать и отпустить кнопку управления. Но на некоторых телефонах кнопку управления нужно нажать и удерживать.

**Ожидание вызова:** В большинстве (но не всех) телефонах эта функция реализуется следующим образом: Если во время разговора вы получаете сигнал о входящем звонке, для ответа на новый звонок нажмите и отпустите кнопку управления. При этом предыдущий звонок перейдет в режим ожидания. Чтобы переключиться на первый звонок, нажмите и отпустите кнопку управления. Чтобы закончить текущий разговор и переключиться на звонок, находящийся в режиме ожидания, нажмите и удерживайте кнопку управления.

**Воспроизведение или установка на паузу музыкальных или видеофайлов:** Нажмите и отпустите кнопку, расположенную по центру. Чтобы возобновить воспроизведение, повторите эти действия.

Функциональные возможности разных устройств могут отличаться. Чтобы ознакомиться с функциональными возможностями вашего устройства, посетите веб-страницу [MonsterProducts.com/mp3/ctuniversalworks.asp](http://MonsterProducts.com/mp3/ctuniversalworks.asp)

## «Обкатка» наушников

Наушники требуют какого-то периода обкатки? Вы, наверное, шутите? Совсем нет! Как и любое другое высокотехнологичное изделие, будь то автомобиль или наушники, наушники представляют собой механическое устройство, которое достигает пика своих технических характеристик после некоторого периода «обкатки». Сразу после покупки звучание Ваших наушников будет потрясающим, однако после их использования в течение определенного времени наушники «акклиматизируются» и станут звучать еще лучше. Мы рекомендуем дать наушникам возможность поработать при воспроизведении звука в течение 8 часов. После 20 часов воспроизведения звука наушники следует считать полностью обкатанными. Слушайте и получайте удовольствие.

## УСЛОВИЯ ОГРАНИЧЕННОЙ ГАРАНТИИ ДЛЯ ПОТРЕБИТЕЛЕЙ

Компания *Monster, LLC*, зарегистрированная по адресу: 7251 West Lake Mead Blvd., Las Vegas, NV 89128, USA, **ПРОСЬБА ОБРАТИТЬ ВНИМАНИЕ НА ТО, ЧТО КОМПАНИЯ MONSTER НЕ ПРИНИМАЕТ ИЗДЕЛИЯ, НАПРАВЛЯЕМЫЕ ПО ДАННОМУ АДРЕСУ — СМ. УКАЗАНИЕ НИЖЕ В РАЗДЕЛЕ «ПОРЯДОК ПОДАЧИ РЕКЛАМАЦИЙ»**, тел. (415) 840-2000 (далее — «компания *Monster*»), предоставляет для Вас срок действия настоящей Ограниченной гарантии. Действующие законодательные акты или нормы общего права могут предоставлять Вам дополнительные права или средства правовой защиты, не затрагиваемые условиями настоящей Ограниченной гарантии.



## ОПРЕДЕЛЕНИЯ

**"Надлежащее применение"** – использование Изделия (1) в личных (т.е. некоммерческих) целях, (2) в соответствии со всеми действующими законами, нормами и правилами (включая, помимо прочего, строительные и/или электротехнические нормы и правила), (3) в соответствии с рекомендациями и/или указаниями производителя, изложенными в сопроводительных материалах и документации к Изделию и, (4) в случае необходимости, с надлежащими электрическими заземлениями.

**"Уполномоченный торговый представитель"** – любой дистрибьютор, торговый посредник или розничный продавец, который (1) имел надлежащие права на осуществление самостоятельной деятельности и разрешение на продажу Вами этого изделия в соответствии с законодательством, действующим на той территории, где оно было приобретено Вами, (2) приобрел это Изделие непосредственно у компании Monster или у какого-либо лица, находящегося в договорных взаимоотношениях с последней, в соответствии с утвержденными условиями таможенного договора, а затем (3) продан Вам данное Изделие до начала его использования и в оригинальной упаковке.

**"Официальная гарантийная рекламация"** – претензия, предъявляемая согласно изложенному далее разделу "Официальные гарантийные рекламации".

**"Изделие"** – такое-либо Изделие, (1) которое включено в приведенную ниже Таблицу гарантийных условий, (2) которое приобретено Вами у одного из Уполномоченных торговых представителей до начала использования и в оригинальной упаковке и (3) серийный номер которого (если таковой имеется) не был подвергнут удалению, изменению или стиранию до Neubearbeitung состояния.

**"Неисправность изделия"** или **"Неисправное изделие"** – несоответствие Изделия установленным требованиям, существовавшее в момент его получения Вами от какого-либо Уполномоченного торгового представителя и препятствующее его функционированию в соответствии с документацией компании Monster, поставляемой вместе с Изделием, за исключением случаев, когда такая невозможность надлежащего функционирования полностью или частично вызвана (а) любым использованием, кроме Надлежащего применения, (b) транспортной работы, включая, но не ограничиваясь, использование или нарушение правил эксплуатации со стороны любого лица, не являющегося сотрудником компании Monster; (c) внешним изменением в конструкции Изделия, его вскрытием или видоизменением каким-либо лицом, не являющимся сотрудником компании Monster; (d) случайным повреждением (за исключением нарушения нормальной работы, которое в других обстоятельствах было бы квалифицировано как Неисправность изделия); (e) ремонтом или техническим обслуживанием Изделия любым лицом, не являющимся сотрудником компании Monster; (f) воздействием на Изделие тепла, яркого света, солнца, жидкостей, песка или иных загрязнителей; или (g) явлениями, неподконтрольными компании Monster, включая, помимо прочего, стихийные бедствия, пожары, наводнения, ураганы, землетрясения и наводнения.

**"Срок действия гарантии"** – период времени, в течение которого компания Monster должна была получить от Вас Официальную гарантийную рекламацию. Различные Сроки действия гарантии в отношении Неисправности изделий указаны в приведенной ниже Таблице гарантийных условий. Срок действия гарантии исчисляется с даты покупки или получения Вами (в зависимости от того, какое из этих событий произошло позднее) Изделия у одного из Уполномоченных торговых представителей, подтвержденной его накладной, товарным чеком или упаковочным листом. При отсутствии и/или В письменного подтверждения даты покупки или получения Срока действия гарантии исчисляется с момента истечения 3 (трех) месяцев после отгрузки Изделия компанией Monster или производственным предприятием согласно учетной документации, составленной компанией Monster. Срок действия гарантии заканчивается после истечения периода времени, указанного в Таблице гарантийных условий, либо после передачи Вами права собственности на Изделие (в зависимости от того, какое из этих событий произошло ранее). Кроме того, Вам необходимо связаться с компанией Monster и получить Номер разрешения на возврат (согласно разделу "Порядок подачи рекламации") в течение 2 (двух) месяцев с момента обнаружения Вами какой-либо Неисправности изделия (или в момент, когда Вы должны были ее обнаружить в том случае, если такая Неисправность изделия была очевидной).

**"Вы"** – обращение к первой физическому лицу, купившему конкретное Изделие в оригинальной упаковке у одного из Уполномоченных торговых представителей. Настоящая Ограниченная гарантия не распространяется на физических или юридических лиц, купивших данное Изделие (1) после начала его использования и/или в неупакованном виде, (2) для его перепродажи, сдачи в прокат или использования в иных коммерческих целях, или (3) у какого-либо лица, не являющегося Уполномоченным торговым представителем.

## ОБЪЕМ ОБЯЗАТЕЛЬСТВ ПО НАСТОЯЩЕЙ ОГРАНИЧЕННОЙ ГАРАНТИИ

**ИЗДЕЛИЯ.** При наличии какой-либо Неисправности изделия в момент его приобретения у одного из Уполномоченных торговых представителей и/или получения компанией Monster Официальной гарантийной рекламации от Вас (1) в течение 2 (двух) месяцев с момента обнаружения Вами какой-либо Неисправности изделия (или в момент, когда Вы должны были ее обнаружить в том случае, если такая Неисправность изделия была очевидной), но (ii) не позднее окончания Срока действия гарантии на Неисправности изделий, относящиеся к конкретному неисправному Изделию, компания Monster обязуется обеспечить устранение обнаруженной неисправности одним из следующих способов: компания Monster обязуется (1) произвести ремонт или, по своему единоличному усмотрению, замену данного Изделия либо (2) возместить Вам стоимость покупки, уплаченную Вами Уполномоченному торговому представителю за неисправное Изделие в случае коммерческой целесообразности его ремонта или замены либо невозможности их осуществления в установленный срок. ПРИМЕЧАНИЕ: ВО ВСЕХ СЛУЧАЯХ, ДОПУСКАЕМЫХ ДЕЙСТВУЮЩИМ ЗАКОНОДАТЕЛЬСТВОМ, В РАМКАХ НАСТОЯЩЕЙ ОГРАНИЧЕННОЙ ГАРАНТИИ КОМПАНИЯ MONSTER НЕ ПРИНИМАЕТ НА СЕБЯ НИКАКОЙ ОТВЕТСТВЕННОСТИ ЗА КАКИЕ-ЛИБО СЛУЧАЙНЫЕ, ПОБОЧНЫЕ ИЛИ КОСВЕННЫЕ УБЫТКИ.

## ОБЩИЕ ПОЛОЖЕНИЯ

**ВЫБОР ПРИМЕНИМОГО ЗАКОНОДАТЕЛЬСТВА/ЮРИСДИКЦИИ.** Настоящая Ограниченная гарантия, а также любые споры, возникающие из нее или связанные с ней (далее – "Споры"), регулируются законодательством, действующим на территории приобретения Вами данного Изделия.

**ПРОЧИЕ ПРАВА.** НАСТОЯЩАЯ ОГРАНИЧЕННАЯ ГАРАНТИЯ ПРЕДОСТАВЛЯЕТ ВАМ КОНКРЕТНЫЕ ЗАКОНЫ ПРАВА, но ВЫ МОЖЕТЕ ТАКЖЕ ИМЕТЬ И ДРУГИЕ ПРАВА, ОБЪЕМ КОТОРЫХ ЗАВИСИТ ОТ КОНКРЕТНОЙ ТЕРРИТОРИИ и КОТОРЫЕ НЕ ЗАТРАГИВАЮТСЯ НАСТОЯЩЕЙ ОГРАНИЧЕННОЙ ГАРАНТИЕЙ.\* НАСТОЯЩАЯ ГАРАНТИЯ РАСПРОСТРАНЯЕТСЯ ТОЛЬКО НА ВАС и НЕ ПОДЛЕЖИТ ПЕРЕДАЧЕ ИЛИ ПЕРЕУСТУПКЕ ДРУГИМ ЛИЦАМ. Если какое-либо из положений настоящей Ограниченной гарантии является незаконным, юридически недействительным или неосуществимым, то оно считается отделенным и не влияет на какие-либо из оставшихся положений. В

случае любого несоответствия между англоязычной и другими версиями настоящей Ограниченной гарантии преимущественную силу имеет англоязычная версия.

**РЕГИСТРАЦИЯ.** Зарегистрируйте Ваше Изделие на веб-сайте [www.MonsterProducts.com](http://www.MonsterProducts.com). Отсутствие такой регистрации не приведет к сокращению объема Ваших гарантийных прав.

## ТАБЛИЦА ГАРАНТИЙНЫХ УСЛОВИЙ

Модель Изделия	Срок действия гарантии на Изделие
Изделие, на которое распространяются настоящие гарантийные обязательства	Один (1) год на продукцию, проданную в Северной Америке, Южной Америке и Азии Два (2) года для изделия, проданного в Европе

## ОФИЦИАЛЬНАЯ ГАРАНТИЙНАЯ РЕКЛАМАЦИЯ

**ПОРЯДОК ПОДАЧИ РЕКЛАМАЦИИ.** В случае Неисправности изделия Вам необходимо выполнить следующие указания: (1) обратиться в компанию Monster в течение 2 (двух) месяцев с момента обнаружения Вами какой-либо Неисправности изделия (или с того момента, когда Вы должны были ее обнаружить, если такая Неисправность изделия была очевидной); (2) предоставить подробное описание того, каким образом произошла данная поломка; (3) получить Номер разрешения на возврат; (4) произвести возврат указанного Изделия, оплатив авансом стоимость его транспортировки (которая подлежит возмещению в том случае, если Вы получили право на устранение выявленной неисправности согласно Уставным условиям настоящей Ограниченной гарантии), на адрес компании Monster для подтверждения факта неисправности, приложив копию своего товарного чека или подтверждение покупки (накладную или упаковочный лист) такого Изделия, заполненный бланк рекламации и распечатанный Номер разрешения на возврат с внешней стороны упаковки, используемой для возврата (полные указания по возврату изложены на бланке рекламации).

**ТЕЛЕФОННЫЕ НОМЕРА.** Если Вы приобрели свое Изделие на территории Соединенных Штатов Америки (тел. 1-877-800-8989), стран Латинской Америки (тел. в Мексике 011-882-800-8989) или Азиатско-Тихоокеанского региона (тел. в Китае 400-820-8973), обращайтесь в компанию Monster, LLC по почте с использованием следующего адреса: 455 Valley Drive, Brisbane, CA 94005 (ОБРАЩАЕМ ВАШЕ ВНИМАНИЕ НА ТО, ЧТО КОМПАНИЯ MONSTER НЕ ПРИНИМАЕТ ИЗДЕЛИЯ, НАПРАВЛЯЕМЕ ПО ЭТОМУ АДРЕСУ – СМ. УКАЗАНИЯ ВЫШЕ В РАЗДЕЛЕ "ПОРЯДОК ПОДАЧИ РЕКЛАМАЦИИ"). Если Вы получили свое Изделие на территории Австралии, обращайтесь в представительство компании Monster – Convoy International Pty Ltd (тел. 02 9700 0111) по адресу: Unit 7, 1801 Botany Rd, Banksmeadow, NSW 2019 Australia. Если же Вы приобрели свое Изделие на территории какой-либо другой страны, обращайтесь в компанию Monster Technology International Ltd. по адресу: Ballymalley Business Park, Gort Road, Ennis, Co. Clare, Ireland. Кроме того, Вы можете воспользоваться одним из следующих телефонных номеров:

1-877-800-8989	(Соединенные Штаты Америки)
866-348-4171	(Бразилия)
011-882-800-8989	(Мексика)
400-820-8973	(Китай)
353 65 68 69 354	(Ирландия)
0800296482	(Австралия)
0800-79201	(Бельгия)
800-124271	(Чешская Республика)
8088-2128	(Дания)
800-112768	(Финляндия)
0800-918201	(Франция)
0800-1819388	(Германия)
00800-353-12008	(Греция)
800-871-479	(Италия)
0800-0228919	(Нидерланды)
800-10906	(Норвегия)
810-800-20051353	(Россия)
900-982-909	(Испания)
020-729650	(Швеция)
0800834659	(Швейцария)
0800-0569520	(Великобритания)

**ПОРЯДОК ДАЛЬНЕЙШИХ ДЕЙСТВИЙ.** Компания Monster устанавливает факт наличия той или иной Неисправности изделия. По своему усмотрению компания Monster может направить Вас в один из сервисных центров за получением ремонтной услуги. При необходимости получения ремонтной услуги Вы будете проинструктованы о том, как правильно предоставить сумму и итеровой счет в компании Monster для оплаты. Компания Monster может участвовать в согласовании любых сумм, причитающихся за ремонт.

**СРОКИ.** В случае предъявления Вами Официальной гарантийной рекламации и выполнения всех условий настоящей Ограниченной гарантии компания Monster предпринимает все усилия для устранения обнаруженной Вами неисправности в течение 30 (тридцати) дней с момента получения от Вас Официальной гарантийной рекламации (если Вы проживаете в Соединенных Штатах Америки, и (4) срока пути) домой, если Вы проживаете в какой-либо другой стране, за исключением тех случаев, когда осуществление данного процесса в указанные сроки является невозможным в силу действия каких-либо обстоятельств, неподконтрольных компании Monster.

\* В отношении поставляемых нами изделий действуют гарантии, которые не могут быть исключены согласно Закону Австралии о защите прав потребителей. Вы имеете право на замену изделия или возмещение его стоимости в случае возникновения какой-либо крупной неисправности, а также на компенсацию любого иного разумно предсказуемого убытка или ущерба. Кроме того, Вы имеете право на ремонт или замену изделий в том случае, если их качество является неприемлемым, а возникающая неисправность не признается гарантийной.

Ver.121912 – МЕЖДУНАРОДНАЯ

©2003-2014 Monster, LLC



# (JA) Monster®の性能と安全のための重要な注意事項

## FCC ID: RJE190506

本装置はFCC規則パート15に準拠しています。次の2つの条件に従い操作してください。(1) 本装置が有害な干渉を引き起こさないこと、(2) 本装置は、望ましくない動作を引き起こす可能性のある干渉も含め、受信したあらゆる干渉を受け入れなければなりません。この規則を遵守することに責任を持つ当事者が明示的に承認していない変更または修正は、ユーザーが機器を操作する権限を無効にする場合があります。周辺機器を接続するには、接地された遮断信号ケーブルを使用する必要があります。コンセントは装置の近くに設置し、簡単に手の届く状態にしなければなりません。

**注:** 本機器はテスト済みであり、FCC規則パート15に準ずるクラスBデジタル装置の制限に準拠しています。この制限は、住宅に設置した場合に有害な干渉に対して妥当な保護を提供するために設けられています。本装置は、無線周波エネルギーを発生・使用するほか、放出する場合もあります。指示に従って設置および使用しない場合、無線通信に有害な干渉を引き起こすことがあります。しかし、特定の設置によって干渉が発生しないことを保証するものではありません。本装置がラジオまたはテレビの受信に有害な干渉を引き起こしているかどうかを判断するには、装置の電源のオンとオフを繰り返して試してみたりわかります。ユーザーの皆様は、次のいずれかの方法で干渉を修正することを推奨します。

- ・ 受信アンテナの方向または設置場所を変える。
- ・ 機器と受信機間の距離を広げる。
- ・ 受信機が接続されている回路と異なる回路のコンセントに機器を接続する。
- ・ 販売店、または経験のあるラジオ・テレビ技術者に相談する。

**注意:** この規則を遵守することに責任を持つ当事者が明示的に承認していない変更または修正は、ユーザ（またはあなた）が機器を操作する権限を無効にする場合があります。極度の高温・低温の場所を避けて保管してください。水のある場所や高温多湿の場所には保管しないでください。製品の動作温度の範囲は0~45°C (32~113°F) です。

本装置は、制御されていない環境に対して定めた、FCC/IC放射線被曝制限に準拠しています。

## カナダ通知 — IC ID: 7512A-190506

このClassBデジタル装置はカナダのICES-003に準拠しています。

本装置は、カナダ産業省のRSS 210に準拠しています。次の2つの条件に従い操作してください。(1) 本装置が有害な干渉を引き起こさないこと、(2) 本装置は、望ましくない動作を引き起こす可能性のある干渉も含め、受信したあらゆる干渉を受け入れなければなりません。

### カナダのクラスB声明

本デジタル装置は、カナダ通信省のICES-003で「デジタル機器」に分類される機器へ干渉を引き起こす原因となる基準として定めた、デジタル機器からの電波ノイズ放射に関するクラスBの制限は超えていません。

## CAN ICES-3 (B)/NMB-3(B)

### 修正

本装置の保証で明示的に承認されている以外の何らかの変更または修正があった場合、ユーザーが本装置を本保証下で操作する権限が無効にされる場合があります。



## ヨーロッパ — EU指令の遵守

本機器は、無線機器・電気通信端末機器指令1999/5/ECに準拠しています。

本機器は下記の適合性基準を満たしています。

安全性	EN 60950-1/A 12:2011
健康	EN 62479:2010
EMC	EN 301489-1 V1.9.2 EN 301489-17 V2.2.1 EN 55022: 2010 EN 55024: 2010
無線	EN 300 328 V1.7.1



認可型式番号: 190506

**輸入住所** Monster, LLC  
7251 West Lake Mead Blvd.,  
Las Vegas, NV 89128

**輸入住所** Monster Technology International, Ltd.  
Ballymaley Business Park,  
Gort Rd., Ennis, Co. Clare, Ireland

## 周囲に配慮しましょう

聴力を損なわないために、ヘッドフォンを接続する前にミュージックプレイヤーの音量を下げてください。ヘッドフォンを装着したら、快適と感じられる音量になるまで音量をゆっくりと上げます。

ノイズレベルを示すデシベル (dB) で、85 dB以上の音量により聴力を次第に損なう可能性があることとされています。

自分で使用を管理しましょう。聴力の低下は、音量と時間の関数に対応します。音量が大きいほど、聴くことのできる時間が少なくなります。音量が小さいほど、聴くことのできる時間は長くなります。

デシベル (dB) 表では一般的な音を比較し、それぞれの音が聴力に及ぼす影響を示しています。

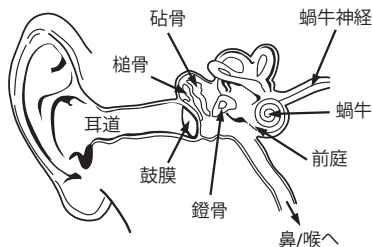
音	騒音レベル(dB)	影響
ささやき声	30	非常に静か
静かなオフィス	50-60	快適に聴こえるレベルは60 dB 未満
掃除機、ヘアドライヤー	70	気になる、邪魔に聴こえる電話の会話
フードミキサー	85-90	85 dB は聴力へのダメージを与えるレベルです(8時間)
ゴミ収集車、セメントミキサー車	100	時間は15分以内(保護のない場合)で90~100 dBの音楽を聴くことをお勧めします
電動のこぎり、ドリル、削岩機	110	通常の音量100 dBで1分以上聴いた場合聴力を失う危険性があります
ロックコンサート(場合により異なる)	110-140	痛みを感じるレベルはおおよそ125 dBです

表の情報は [www.nidcd.nih.gov/health/education/teachers/pages/common\\_sounds.aspx](http://www.nidcd.nih.gov/health/education/teachers/pages/common_sounds.aspx)

機器を最大限に活用して、安全な音量で素晴らしいオーディオのパフォーマンスを最大に楽しんでください。当社のヘッドホンから、これまでよりも低い音量で、より詳細な音を聞くことができるでしょう。

安全な音量の設定方法と、その他の安全ガイドラインについては、消費者電子安全協会のホームページ [www.ce.org](http://www.ce.org) をご覧ください。騒音性聴力損失 (NIHL) の予防法と、騒音による聴力への影響のリストは、難聴研究会 (Deafness Research Foundation) のホームページ [www.drfo.org](http://www.drfo.org) をご覧ください。

## 耳と聴力の生理学



騒音が耳に与える影響についての情報と参照チャートは、[www.abelard.org/hear/hear.php#loud-music](http://www.abelard.org/hear/hear.php#loud-music) からご覧いただけます。

## 責任をもって使用しましょう

危険と考えられる状況下では、ヘッドフォンの使用は避けてください（自動車の運転中、自転車に乗る、交差点の歩行中、または周囲の状況に気を配る必要のある行為を行う、あるいはそうした環境下にいる場合）。

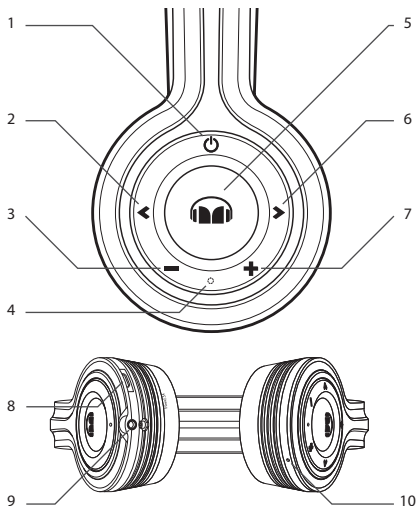
ヘッドフォンを装着しながら自動車を運転するのは危険です。車外での命にかかわるあらゆる音（他の車のクラクションや救急車のサイレンなど）が聞こえなくなるため、違法とされる行為です。

運転中はヘッドフォンを使用しないでください。MonsterのFMトランスミッターを使用すればモバイルメディアデバイスに保存された音楽を聴くことができます。

## お手入れ

イヤークップは、柔らかい布に薄めた石けん液を付けて拭いてください。

## キーおよびパーツ



ヘッドセットには以下のパーツが搭載されています。

1. マルチファンクションキー（電源オン/オフ、ペアリング、音声ダイヤル起動）
2. トラックバック
3. 音量小
4. インジケータライト（点灯時に可視）
5. 再生 / 一時停止キー（応答/終了/着信拒否）
6. フォワード
7. 音量大
8. 充電器接続
9. 3.5 mmケーブルポート
10. マイクロフォン

ヘッドセットをご使用になる前に、バッテリーを充電し、ヘッドセットに対応機器とペアリングする必要があります。Freedomは、ケーブルで携帯電話や音楽プレイヤーに接続した場合は、充電バッテリーを使用しなくても動作します。

## バッテリーの充電

ヘッドホンにはMicro USBケーブルが同梱しています。このケーブルを使用して、ヘッドホンをコンピュータやUSB充電の可能な機器に接続することができます。同梱のUSBケーブルのMicro USB端部を、ヘッドホンの左イヤークップの下にあるUSBマイクロポート充電コネクタに差し込んでください。ケーブルの反対側の端部を、コンピュータまたはUSB充電対応機器のUSBポートに差し込んでください。インジケータは、充電中は赤色に点灯します。充電が完了すると、緑色のLEDが点灯します。空のバッテリーの場合、充電時間は1.5時間です。バッテリーを完全に充電すると、最長10時間の通話および（または）音楽再生が可能です。また、待ち受け時間は最長100時間です。

**警告：**（1）電池を処分するときは環境面の問題に留意してください。電池は必ずお住まいの市町村の規定に従い正しくリサイクル・廃棄してください。本製品は一般ゴミと一緒に廃棄しないでください。本製品は、電気機器・電子機器のリサイクル場所の認可を受けた場所でのみ廃棄してください。廃棄物を回収・リサイクルすることにより、天然資源が保護され、本製品を環境に優しく健全な方法で確実に処分することができます。（2）電池（電池パックや内蔵電池）を、日光や火など非常に高温の場所に置かないでください。（3）電池を分解したり、交換したりしないでください。電池に不具合な点がある場合は、サービスセンターまでお持ちください。

## 電源を入れる

電源を入れるには、多機能キーを約2秒間押下してください。ヘッドセットのお知らせ音が次第に大きく鳴動し、緑色のインジケータライトが短時間表示されます。最後に使用した電話や音楽プレイヤーにヘッドセットを接続すると、赤色のインジケータランプがゆっくり点滅します。ヘッドセットを機器に接続して使用可能な状態になると、青色のインジケータランプがゆっくり点滅します。ヘッドセットが装置に正しく接続されていない場合、自動的にペアリングモードに切り替わります。

## 電源を切る

電源を切るには、マルチファンクションキーを約3秒間押下してください。ヘッドセットのお知らせ音が次第に小さく鳴動し、赤色のインジケータライトが短時間表示されます。ヘッドセットを10分以内に機器に接続しない場合、自動的に電源がオフになります。

## ペアリング

1. 携帯電話または音楽プレイヤーのスイッチがオンになっていることを確認してください。
2. 以前デバイスとペアリングしていないヘッドセットをペアリングするには、ヘッドセットの電源を入れてください。ヘッドセットがペアリングモードになり、青色と赤色のインジケータランプが早く点滅し始めます。他の装置と以前ペアリングしているヘッドセットをペアリングするには、ヘッドセットの電源がオフになっていることを確認してから、青色と赤色のインジケータランプが早く点滅し始めるまで、マルチファンクションキーを押下してください（約5秒間）。
3. 携帯電話または音楽プレイヤーのBluetooth®機能を有効にして、Bluetooth装置を検索するように設定します。
4. お使いの携帯電話や音楽プレイヤーで検出されたデバイスのリストから「Freedom」を選択します。
5. 必要に応じて、パスワード0000を入力し、お使いの装置にヘッドセットをペアリングします。

## 音量調節

ヘッドセットの音量を調整するには、通話中または音楽再生中に音量大キーまたは音量小キーを押します。音量を素早く調節するには、いずれかのキーを押し続けます。

**警告：**イヤホンやヘッドホンからの過度に大きな音量により、聴力が損なわれることがあります。

## 通話

発信するには、ヘッドセットを携帯電話に接続した状態で、通常のとおり携帯電話で発信します。

音声ダイヤル（ヘッドセットを接続している携帯電話にこの機能がある場合）をご利用になるには、通話が行なわれていない状態で、電話機が音声ダイヤルを開始するまで、2回すばやくマルチファンクションキーを押し、携帯電話の説明書に従って操作してください。

着信に応答する、または通話を終了するには、再生/一時停止キーをすばやく押します。着信を拒否するには、再生/一時停止キーを約2秒間押します。

通話（話し中）をヘッドセットから接続電話に切り替えるには、再生/一時停止キーを約2秒間押し続けます。通話（話し中）を電話からヘッドセットに切り替えるには、再生/一時停止キーを約2秒間押し続けます。

## ヘッドホンを外す

ヘッドセットを装置から外すには、ヘッドセットのスイッチをオフにするか、お使いの機器のBluetoothメニューから取り外します。

## ヘッドホンの再接続

ヘッドセットを最近使った携帯電話や音楽プレーヤーに接続するには、ヘッドセットのスイッチをオンにするか、お使いの機器のBluetoothメニューで接続を行います。

## 音楽を聴く

音楽を聴くには、ヘッドセットを、A2DP Bluetoothに対応した音楽プレーヤーに接続します。利用できる音楽機能はお使いの音楽プレーヤーによって異なります。

音楽の再生中に着信があった場合や発信した場合、通話が終わるまで音楽は一時停止します。

曲を再生するには、音楽プレーヤーで曲を選択し、iSport® Freedomヘッドセットの再生/一時停止キーを押します。曲を一時停止または再開するには、再生/一時停止キーを押します。

再生中に次の曲を選択するには、素早くフォワードキーを押します。前の曲を選択するには、バックキーを（1、2回）素早く押します。現在の曲を早送りするには、フォワードキーまたはバックキーを押し続けます。

## 設定をクリアまたはリセットする

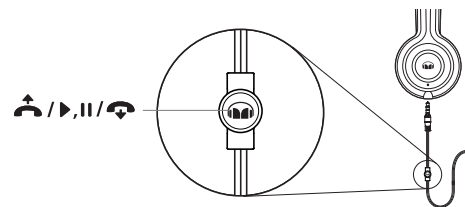
ヘッドセットからペアリング設定を解除するには、ヘッドセットの電源をオフにし、赤色と青色のインジケータランプが3回ずつ交互に点滅するまで、多機能キーと音量下げキーを押下してください（8秒以上）。

ヘッドセットをリセットするには、充電器にヘッドセットを接続し、多機能キーとボリュームアップキーの両方を押してください。

## 受動モード

iSport Freedomをワイヤ付きで使用すると、バッテリーを節約することができます。同梱のControlTalk Universal™ケーブルをイヤークップの下部に接続し、もう一方の端部をお持ちのMP3プレーヤーに接続してください。オーディオケーブルを挿入すると、無線機能が無効化されます。

## ControlTalk Universal™ を使う



ControlTalk Universal™のオンケーブルリモコンはシングルコントロールボタンと内蔵マイクを搭載しており、音楽再生とハンズフリー通話を簡単に切り替えることができます。

接続するには、ControlTalk Universal™の一番近くにあるiSport® Freedomのヘッドフォンケーブルを左イヤークップの底部に差し込み、反対側をミュージックプレーヤーの1/8" (3.5mm) ステレオプラグに差し込みます。

**通話に応答する**：電話受信音が聞こえたら、ControlTalk Universal™のコントロールボタンを押して離すと応答することができます。

**通話を終了する**：ほとんどの機種の場合、コントロールボタンを押して離します。機種によってはコントロールボタンを長押しする必要があります。

**保留にする**：ほとんどの機種（一部機種を除く）の機能は次のとおりです。通話中に電話受信音が聞こえたら、コントロールボタンを押して離すと、通話に応答し、話し中の通話に保留になります。コントロールボタンを押して離すと、元の通話に切り替わります。コントロールボタンを長押しすると、現在の通話を終了し、割り込み電話に切り替わります。

**音楽/ビデオを再生または一時停止する**：センターボタンを押して離します。再生するにはこの動作を再度行います。

機種によって機能が異なる場合があります。ご使用の機種の機能については、[MonsterProducts.com/mp3/ctuniversalworks.asp](http://MonsterProducts.com/mp3/ctuniversalworks.asp)をご覧ください。

## ヘッドフォンを使いこなす

ヘッドフォンを使いこなすための時間？冗談でしょうか？いえ、冗談ではありません。車であろうがヘッドフォンであろうが、どの高性能製品でも、機械といふものは使うほどにこなれていきます。購入したばかりのヘッドフォンは箱から出してすぐに優れた音を聴くことができますが、使うほどに「深みのある」音になり、さらに良い音質になります。本製品をまず8時間使用していただくことをお勧めします。20時間以上使用すると、製品がこなれてきます。本製品をお楽しみください。

## 消費者への限定保証

Monster, Inc. 7251 West Lake Mead Blvd., Las Vegas, NV 89128, USA 電話 (415) 840-2000  
[Monsterは、この住所に送付された製品を受け付けておりませんのでご注意ください]。下記の「クレーム手続き」の指示に従ってください（以下「Monster」）。この限定保証を消費者であるあなたに提供いたします。制定法または慣習法により、追分の権利または救済策が得られる場合、本限定保証が影響をきたすことはありません。

### 定義

**【認定の使用】**とは、製品の使用に伴い、(i) プライベートな目的（商業的ではない使用）、(ii) 適用可能なすべての法律、規定、または規則（建築法や電気工事に関する法律を無制限に含む）を守り、(iii) 製品に添付の資料や書類に関するメーカーの推奨およびもしくは指示に従うほか、(iv) アース線を引きこくこと（適用可能な場合）を意味します。

**【認定ディーラー】**とは、(i) 製品を購入した地域の管轄権下で商業を営むことが適切に承認、許可され、(ii) MonsterまたはMonsterと契約上の関係を持つ第三者との合意で承認された条件に従って製品を直接購入した、ならびに (iii) 製品を製品の状態かつオリジナルのパッケージのまま販売した、あらゆるディストリビューター、再販業者、または小売業者を意味します。

**【正規保証クレーム】**とは、本件の「正規保証」セクションに準じて請求されたクレームを意味します。

**【製品】**とは、(i) 下記の仕様表に記載されており、(ii) 新品の状態での元のパッケージのまま認定ディーラーから購入したもので、(iii) 通し番号（存在する場合は）、除去、変更、あるいは損傷のない製品を意味します。

**【製品欠陥】**または**【欠陥のある製品】**とは、認定ディーラーから製品を受け取った時点で既成していた欠陥であり、その定義として製品に付随するMonsterのマニュアルの通りに製品が機能しないか、または製品の不具合を意味します。ただし当該の不具合が、次のすべてまたは一部の条件によって引き起こされた場合を除きます。(a) 適切な使い方に反した使用。(b) Monsterの従業員以外の者による転送、過急、誤用または乱用。(c) Monsterの従業員以外の者による製品の変更、改造、または修正。(d) 事故（製品欠陥の原因にならない不具合を含む）。(e) Monsterの従業員以外の者による製品のメンテナンスまたはサービス。(f) 製品を熱、明るさ、太陽、液体、砂またはその他の汚染物質にさらすこと、または、(g) Monsterのコントロールの及ばない行為で、不可抗力、火災、嵐、地震または洪水を含むがこれらに限定されるものではありません。

**【保証期間】**とは、正規保証クレームがMonsterに届いていなければならない期間を意味します。製品の欠陥に関連するさまざまな保証期間は以下の仕様表にて定義されています。保証期間に消費者が、認定ディーラーから製品を購入したか、または受け取った日付（どちらか新しい方の日付）が発効日となりますが、日付は認定ディーラーのインボイス、領収書または梱包書をもって証明されなければならない。消費者が購買または受領の日付を証明する文書を持っていない場合、保証期間は製品がMonsterまたはその工場から出荷された日付から3か月後に始まったと見なされますが、Monsterの記録がそれを裏付ける必要があります。保証期間は、仕様表に定義された期間の終了後、または製品の所有権を譲渡した後のうち、どちらか古い方の後に期限切れとなります。また、消費者が、製品欠陥を発見してから（または、当該の製品欠陥が明白である場合、製品が受取った日付の時期）2か月以内にMonsterに電話して、返却認定番号を手入力しなければならない。

「消費者」とは認定ディーラーからオリジナルのパッケージで製品を購入した最初の個人を意味します。限定保証は、製品を (a) 中古またはパッケージを取り除いた状態で、(b) 転売、リースまたは他の商業用途で、または (c) 認定ディーラー以外の誰かから、購入した個人または法人には適用されません。

#### この限定保証の範囲

**製品。** 消費者が認定ディーラーから製品を購入した時点で製品に欠陥があり、Monsterが (a) あたが当該の発見をしてから（または、当該の製品欠陥が明白である場合、発見が妥当とみなされる時期から）2か月以内（消費者から正規保証クレームを受け取った場合、さらに (b) 欠陥のある製品に適用できる製品欠陥の保証期間間）まで有効である場合、Monsterは以下の救済策のうち、いずれかを提供します。Monsterは、(1) 欠陥のある製品を修理する、または単独の故障で製品を交換する。または、(2) 欠陥のある製品の修理や交換が商業的に実行可能でないか、またはタイムリーに行えない場合、消費者がMonsterまたは認定ディーラーに支払った金額を現金します。注：間接的な損害については、法律が適用可能な最大限の範囲において、MONSTERは、偶然か必然かを問わず、本限定保証の下、いかなる責任も負いません。

#### 一般規則

**法律/管轄権の選択。** 本限定保証に関する紛争およびこの限定保証から生じたあらゆる紛争（紛争）は、消費者が製品を購入した地域の管轄権下の法律に基づいて統治されるものとします。

**その他の権利。** 本限定保証は、特定の法的権利を消費者に与えるものですが、消費者が管轄権ごとに異なるその他の権利も保有することがあり、こうした権利に対して本限定保証が何ら影響を及ぼすことはないものとします。\* の保証は消費者本人のみと与えられるものであり、譲渡または移譲することはできません。限定保証の何らかの規程が違法、無効、または施行できない場合、当該の規定は、分離可能なものと見なされ、その他の規定には何ら影響を及ぼさないものとします。この限定保証の英版とその他の版に矛盾がある場合は、英語版が優先するものとします。

**登録。** 製品はwww.MonsterProducts.comにて登録してください。登録しなかった場合でも、消費者の保証の権利が損なわれることはありません。

#### 仕様表

製品型式	製品保証期間
本保証文書が付随する製品。	北米と南米、およびアジア太平洋地域での販売製品については1年間 欧州およびで販売された製品については2年間

#### 正規保証クレーム

**クレーム手続き。** 製品欠陥の事由がある場合、以下の指示に従う必要があります。(1) 消費者が製品欠陥を発見した後（または、当該の製品欠陥が明白である場合、発見が妥当とみなされる時期）から2か月以内にMonsterに電話で連絡する。(2) 損害がどのように発生したか詳しく説明する。(3) 返却認証番号を入力する。(4) 消費者が送料自己負担で製品をMonsterに返却し（本限定保証の範囲内で救済を受ける権利があると思われる場合は、送料は返却される）、損害の査定を受ける。その際、**当該製品の返却前または返却後に修理費の発生（インボイスまたは梱包票）、記入済みのクレームフォームに返却パッケージの外側に表示されている返却認証番号を添付する（クレーム書式には返却に関する指示が含まれています）。**

**電話番号。** 製品は米国 (1-877-800-8989)、ラテンアメリカ (メキシコ 011-882-800-8989)、またはアジア太平洋 (中国 400-820-8973) でした場合、Monster, Inc. 55 Valley Drive, Brisbane, CA 94005 までご連絡ください。(Monsterでは、**この住所に送付された製品は受け付けておりませんのでご注意ください。上記の「クレーム手続き」の指示に従ってください。**)。製品をオーストラリアで購入した場合は、Monsterの代理店である、Convoy International Pty Ltd (02 9700 0111) (住所: Unit 7, 1801 Botany Rd, Banksmeadow, NSW 2019 Australia) までご連絡ください。製品をこれら以外の地域で購入した場合は、Monster Technology International Ltd (住所: Ballymaley Business Park, Gort Road, Ennis, Co. Clare, Ireland) までご連絡ください。以下の電話番号のうち、いずれかを使用できます。

カナダ: 866-348-4171	アイルランド: 353 65 68 69 354
オーストラリア: 0800296482	ベルギー: 0800-79201
チェコ共和国: 800-142471	デンマーク: 8088-2128
フィンランド: 800-112768	フランス: 0800-918201
ドイツ: 0800-1819388	ギリシア: 0800-355-12008
イタリア: 800-871-479	オランダ: 0800-0228919
ノルウェー: 800-10906	ロシア: 810-800-20051353
スペイン: 800-982-909	スウェーデン: 020-792650
スイス: 0800834659	イギリス: 0800-0569520

**その他の手続き。** 製品欠陥があるかどうかの判断は、Monsterが決定します。Monsterは独自の裁量により、サービスセンターで修理見積りを得るよう消費者に求めることがあります。修理見積りが必要な場合、見積りおよびその結果として生じるインボイスをMonsterに提出する方法についてはMonsterから指示があります。修理にかかるいかなる料金であっても、Monsterによる交換の対象となります。

**タイムング。** あ消費者が正規保証クレームを提出し、限定保証のすべての条件を完全に遵守している場合、Monsterは正規保証クレームを受け取ってから 30 日以内（米国在住者限定。その他の地域は45日以内）に救済策を提供するため、最善の努力をいたします。ただし、Monsterのコントロールの及ばない障害によってこのプロセスに遅延が生じた場合を除きます。

\* さまざまな商品に付随する保証は、オーストラリア消費者保護法により、除外することはできません。消費者には多大な不具合に対して交換または戻しを受ける権利、および合理的に予見可能性があったその他の損失または損害に対する補償の権利が与えられます。消費者にはさらに、商品の品質が消費者保証範囲を超えておりながら、多大な不具合に至らなかった場合でも、製品を修理または交換してもらう権利があります。

## (ZH\_CN)

# 魔声产品性能及使用安全重要说明

## 为您的听力负责

为避免听力受损，在接耳机前请先确保调低音乐播放器的音量。戴好耳机后，再慢慢将音量调整到适宜的水平。

噪音位準計量單位為分貝 (dB)。曝露於 85 dB 或更高噪音位準環境可能造成聽力逐漸喪失。

監控使用情況：聽力喪失是噪音太大加上時間雙重作用的結果。聲音越大，越要減少曝露在其中的時間。聲音越柔和，就可以聽更久一些。

這個噪音位準 (dB) 表對一些常聽到的聲音以及這些聲音可能會造成的聽力受損情形做了比較，並依序排列。

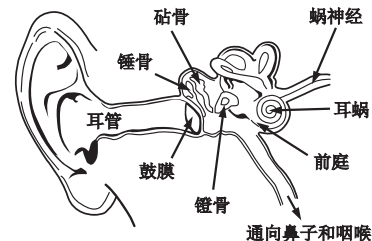
聲音	噪音等級 (dB)	效果
低語	30	非常安靜
安靜的辦公環境	50-60	低於 60 dB 的舒適電話範圍
吸塵器、吹風機	70	具有干擾性，影響電話通話
食品攪拌機	85-90	85 dB 是聽力受損 (連續曝露於此環境中達 8 小時) 開始的閥值
垃圾車、水泥攪拌器	100	對於介乎 90 到 100 dB 的聲音，建議在未受保護的情況下曝露於此的時間不能超過 15 分鐘
電鋸、電銼/手銼匙	110	經常性曝露於 100 dB 以上的聲音超過 1 分鐘可能會造成永久性聽力損害
搖滾音樂會 (具體情況有別)	110-140	125 dB 的聲音開始令人產生痛感

图表信息从如下网站获得：[www.nidcd.nih.gov/health/education/teachers/pages/common\\_sounds.aspx](http://www.nidcd.nih.gov/health/education/teachers/pages/common_sounds.aspx)

善加利用您的設備，在安全範圍也能享受最棒的音效。我們的耳機使您以前所未有的低音量捕捉到更多音效細節。

請透過消費電子協會網站 ([www.ce.org](http://www.ce.org)) 瞭解如何建立安全收聽等級及檢視其他重要的安全指引。如何防止噪音性聽力損失 (NIHL) 重要資訊及何種噪音會造成聽力受損的完整清單，請參考聽障研究基金會網站：[www.drfo.org](http://www.drfo.org)。

## 耳朵及听力的生理知识



欲了解关于噪声对耳朵的损害和如何保护耳朵的更多信息，请参考 [www.abeland.org/hear/hear.php#loud-music](http://www.abeland.org/hear/hear.php#loud-music)

## 安全使用

不要在非安全的情况下使用耳机——如开车、骑自行车、过马路，或在任何需要您对周围环境集中全部注意力的活动或环境中。

开车时戴耳机是非常危险的行为，在许多地方，这也是违法的行为，由于这使您不易听到车外生命攸关的声音，如其它车辆的喇叭声及紧急救援车的警报声。

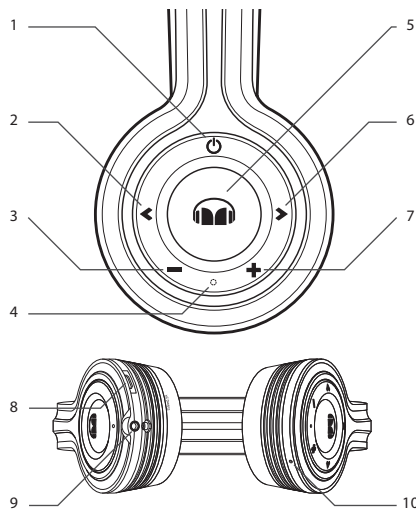
请不要在开车时戴耳机。您可以使用魔声 FM 发射器来收听您的移动媒体设备。



## 清洁

用一块软布蘸上温和的皂液擦拭耳机的耳杯。

## 按键与部件



耳机包含以下部件：

1. 多功能按键  
(电源开/关、配对、  
激活语音拨号)
2. 后退
3. 音量降低
4. 指示灯  
(仅在点亮时可见)
5. 播放/暂停按键  
(接听/结束/拒绝通话)
6. 前进
7. 音量增大
8. 充电器连接
9. 3.5mm 连接线端口
10. 麦克风

用耳机前，必须给电池充电，并将耳机与一台兼容设备配对。通过连接线与手机或音乐播放器相连时，Freedom 无需充电电池即可正常使用。

## 电池充电

耳机随附一根微型 USB 连接线，可连接到电脑或其他 USB 充电设备。将随附 USB 连接线的微型 USB 端插入耳机左耳杯下方的 USB 微型端口充电器连接头，另一端插入计算机或其他 USB 充电设备的 USB 端口。充电时，指示灯为红色。充满电后，绿色 LED 将会点亮。空电池的充电时间为 1.5 小时。充满电的电池可支持通话和/或音乐播放长达 10 小时，待机时间长达 100 小时。

**警告：**（1）处理电池时，请注意不要污染环境。必须正确回收或处理电池。本产品不得当做生活垃圾处理。本产品必须在批准的电子电气设备回收场所进行处理。收集和回收废弃物将帮助节约自然资源，请确保以环保、健康的方式处理本产品。（2）电池（已安装的电池包和电池组）不得暴露于高温环境，如阳光、火等等。（3）请勿拆解或更换电池。若怀疑电池有问题，请携带该装置前往服务中心寻求帮助。

## 开机

按下多功能键并保持 2 秒。耳机的哔哔声逐渐增强，绿色指示灯短暂显示。耳机尝试连接到上一次使用的手机或音乐播放器时，红色指示灯缓缓闪烁。耳机连接到一台设备并准备运行时，蓝色指示灯缓缓闪烁。若耳机未与任何设备配对，将自动进入配对模式。

## 关机

按下多功能键并保持 3 秒。耳机的哔哔声逐渐减弱，红色指示灯短暂显示。若耳机未在 10 分钟内连接到任何设备，将自动关机。

## 配对

1. 确保手机或音乐播放器处于开机状态。
2. 若耳机以前未与任何设备配对，开机以完成配对。耳机进入配对模式，蓝色和红色指示灯开始快速闪烁。若耳机以前与其他设备配对，确保耳机处于关机状态，按下多功能键（大约保持 5 秒），直至蓝色和红色指示灯开始快速闪烁。
3. 激活手机或音乐播放器的蓝牙功能，搜索蓝牙设备。
4. 在手机或音乐播放器的找到的设备列表中选择“Freedom”。
5. 如有必要，输入密码 **0000** 以将耳机配对并连接到设备。

## 调节音量

通话或听音乐时，按下音量增大或降低键调节耳机音量。按下任一按键并保持可快速调节音量。

**警告：**耳机声压度过高可能导致听力受损。

## 通话

连接耳机时，以正常使用方式操作手机以实现通话。

若手机支持语音拨号功能，在无通话状态下快速按两次多功能键，直至手机启动语音拨号，操作过程见手机用户指南。

快速按下播放/暂停键，以接听或终止通话。按下播放/暂停键并保持大约 2 秒以拒绝通话。

按下播放/暂停键并保持大约 2 秒，将进行中的通话从受话器切换到连接的手机。按下播放/暂停键并保持大约 2 秒，将进行中的通话从手机切换到受话器。

## 断开耳机

关闭耳机或在设备的蓝牙菜单中断开连接，以断开耳机与设备的连接。

## 重新连接耳机

打开耳机或在设备的蓝牙菜单中建立连接，以将耳机连接到上一次使用的手机或音乐播放器。

## 听音乐

将耳机连接到支持 A2DP 蓝牙配置的兼容音乐播放器，开始听音乐。连接不同的音乐播放器时，可用的音乐功能有所差异。

若在听音乐时接到或拨打电话，音乐暂停直至通话结束。

在音乐播放器中进行选择，然后按下 iSport® Freedom 耳机的播放/暂停键，开始播放歌曲。按下播放/暂停键，以暂停或恢复播放。

回放过程中快速按下前进键，选择下一首歌曲。快速按下后退键（一次或两次），选择上一首歌曲。按下任一按键并保持，快速滚动当前歌曲。

## 清除设置或重置

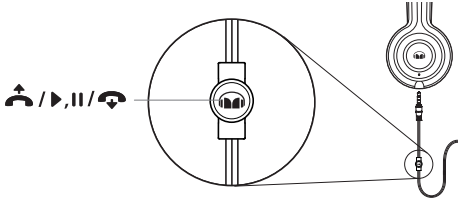
关闭耳机并按下多功能键和音量减键（保持 8 秒以上）直至红色和蓝色指示灯交替三次，以将配对设置从耳机清除。

将耳机连接到充电器并按下多功能键和音量加键，以重置耳机。

## 被动模式

可将 iSport® Freedom 当做有线耳机使用，以节省电池。将随附 ControTalk Universal™ 连接线的一端连接到耳机的耳杯底部，另一端连接到 MP3 播放器。插入音频连接线将关闭无线功能。

## 使用 ControlTalk Universal™



ControlTalk Universal™ 线缆遥控采用单一的控制按钮和内置麦克风，让您可以轻松地在听音乐和手机免提通话之间切换。

连接时，将距离ControlTalk Universal™最近的 iSport™ Freedom 双耳式耳机的耳机线一端插入左侧耳罩的底部并将另一端插入您的音乐播放器iP™ (3.5mm)的立体声系统中。

**接听电话：**当提醒有来电时，按下并松开ControlTalk Universal™控制按钮接听电话。

**结束通话：**对于大多数电话，按下并松开控制按钮。一些电话需要您按下并按住控制按钮。

**使用来电等待：**大多数（但不是所有的）电话功能如下：当提醒来电但是您正在进行通话，按下并松开控制按钮接听并将第一个通话暂停。按下并松开控制按钮接听回第一个电话。按下并按住控制按钮结束您当前的通话并转听暂停的通话。

**播放或者暂停歌曲或视频：**按下并松开中央按钮。重复以上操作继续播放。

功能将因装置而异。欲获得有关您的装置功能更多的信息，请访问：[MonsterProducts.com/mp3/ctuniversalworks.asp](http://MonsterProducts.com/mp3/ctuniversalworks.asp)

## 耳机“磨合”

耳机也要磨合？是在开玩笑吗？不，这绝非玩笑。对于高性能产品，无论是汽车，还是耳机，他们都属机械设备，只有在使用了后，各部件才能更加完美地协调配合。初次使用时，您的耳机已经拥有卓越的音效，但经过适度使用，即“煲”机的过程，音效会更加醇厚流畅。我们建议播放8个小时来进行磨合。播放20个小时后，他们应该已经完全磨合好。请尽享完美音效！

## 有限保修条款

Monster, LLC, 7251 West Lake Mead Blvd., Las Vegas, NV 89128, USA. **【请注意：MONSTER不接受空运至该地址的产品——请依照下面“如何申请保修”的指引】** (415) 840-2000 (“以下称Monster”) 向您提供本有限保修条款。成文法或判例法可能会提供给您附加的权利或救济，不受本有限保修条款的影响。

### 定义

**“适当使用”**是指如下对产品的使用 (i) 出于私人使用的（而非商业的）目的，(ii) 遵守所有可适用的法律、法规或规章（包括但不限于建筑和/或电气规章），(iii) 遵守产品附带的材料和文件中的生产商建议和/或指南，以及 (iv) 如可行，具有正确的接地处理。

**“授权经销商”**是指任何如下经销商、转销商或零售商 (i) 根据您所购买产品的地区的法律，被授权从事商业活动，并被允许向您出售产品，(ii) 直接从Monster或与Monster有合同关系且遵守合同中所有条款的第三方购买产品，以及 (iii) 向您出售新的放在原包装中的产品。

**“正式保修申请”**是指根据本有限保修条款的“正式保修申请”部分提出的申请。

**“产品”**是指如下产品 (i) 列在下面的规格表中，(ii) 是您从授权经销商处购买的，新的并未放在原包装中，以及 (iii) 其序列号 (如有) 未被去除、涂改或破损。

**“产品缺陷”或“有缺陷的产品”**是指您在从授权经销商处购得产品时其具有的，使其无法按照产品附带的Monster的文件正常运行的缺陷，除非该缺陷是全部或部分由以下原因造成 (a) 非适当使用，(b) 由于Monster员工以外的人的运输、疏忽、不当使用或者滥用；(c) 由于Monster员工以外的人对产品的修改、篡改或改造；(d) 意外事故（符合产品缺陷条件的故障除外）；(e) 由于Monster员工以外的人对产品的维护或服务；(f) 将产品置于高温、强光、日晒、液体、沙尘或其他污染物中，或 (g) Monster无法控制的事由，包括但不限于不可抗力、火灾、暴风雨、地震或洪水。

**“保修期限”**是指Monster应当已经收到您的正式保修申请的期限。与产品缺陷相关的不同的保修期限请见下面的规格表。保修期限自您从授权经销商购买或收到（以后发生者为准）产品之日起算，以授权经销商的发票、销售收据或装箱单为证。如果您没有能够证明购买或接收日期的书面凭证，则保修期限自该产品出厂日三（3）个月起算，以Monster的记录为证。保修期限于规格表中所列期限过期后或您将产品转让时终止，以先发生者为准。而且，您必须在发现（或应当发现，如果该产品缺陷显著而易见）产品缺陷后二（2）个月内打电话给Monster来获得一个退货许可号（如“如何申请保修”所述）。

**“您”**是指最初从授权经销商处购买原装产品的个人。本有限保修条款不适用于购买以下产品的个人或实体 (i) 已被使用过或没有包装，(ii) 被转售、出租或用于其它商业用途，或 (iii) 并非来自授权经销商。

### 本有限保修条款的范围

**产品：**如果到一个产品在您从授权经销商处购得时存在产品缺陷，并且Monster收到您的正式保修申请，(i) 在您发现（或应当发现，如果该产品缺陷显著而易见）该产品缺陷后二（2）个月内，并且，(ii) 在该缺陷产品适用的保修期限终止之前，Monster将向您提供以下救济之一：Monster (1) 将自行决定修理或更换该缺陷产品，或者 (2) 如果修理或更换在商业上无法实现或无法按时完成，将退还您支付给Monster或授权经销商的购买该缺陷产品的价款。**注意：依照相关法律，MONSTER在本有限保修条款项下不对任何偶然的、后果性的、或间接的损害承担任何责任。**

### 一般条款

**法律/管辖选择：**本有限保修条款及任何由其产生或与其相关的纠纷（以下称“纠纷”）应当适用您购买产品所在管辖区域的法律。

**其他权利，本有限保修条款授予您特定的法律权利，而且您也可能拥有其他权利。根据不同的管辖区域而不同，这些权利不受本有限保修条款的影响。\*本有限保修条款只对您适用，而不得被转让或转移。如果本有限保修条款的任何条款违法，无效或无法实施，该条款应被视为可分割的并且不应影响其他条款的效力。如果本有限保修条款的英文版与本和他语言的版本存在任何不一致之处，以英文版为准。**

**注册：**请在[www.MonsterProducts.com.cn](http://www.MonsterProducts.com.cn)注册您的产品。未能注册不会减损您在有限保修条款项下的权利。

### 规格表

产品型号	产品保修期限
本保修条款所适用的产品	南北美及亚太地区出售的产品保修期为一年 (1) 年
	在欧洲和出售的产品保修期 (2) 年

### 正式保修申请

**如何申请保修：**如果产品发生损坏，您必须遵循如下指示：(1) 在您发现（或应当发现，如果该产品缺陷显著而易见）产品缺陷后二（2）个月内电话通知Monster；(2) 给出详细的关于损坏如何发生的解释；(3) 获得一个退货许可号；(4) 退还产品，由您预付运费（如果您在本有限保修的范围内有权获得救济，该笔费用将退还给您），由Monster来鉴定损坏，并附上您购买产品的原始销售单据和购买凭证（发票或装箱单），填写完整的保修申请表，以及在退货包裹上印上退货许可号（保修申请表将包含退货指南）；

**电话号码：**如果您是在美国、拉丁美洲（墨西哥 011-882-800-8989）或亚太地区（中国 400-820-8973）购买的产品，请通过总部联系Monster, LLC (455 Valley Drive, Brisbane, CA 94005)，或致电 1 877 800-8989。（请注意：MONSTER不接受空运至该地址的产品——请依照上述“如何申请保修”的指引）如果您是在澳大利亚购买的产品，请联系Monster代理：Convey International Pty Ltd (02 9700 0111)，Unit 7, 1801 Botany Rd, Banksmeadow, NSW 2019 Australia。如果您是在任何其他地方购买的产品，请联系：Monster Technology International Ltd., Ballymore Business Park, Gort Road, Ennis, Co. Clare, Ireland。

您可以拨打以下的电话号码：

加拿大	866-348-4171.
爱尔兰	353 65 68 69 354.
奥地利	0800296482.
比利时	0800-79201.
捷克	800-124271.
丹麦	8088-2128.
芬兰	800-112768.
法国	0800-918201.
德国	0800-1819388.
希腊	00800-353-12008.
意大利	800-871-479.
荷兰	0800-0228919.
挪威	800-10906.
俄罗斯	810-800-20051353.
西班牙	900-982-909.
瑞典	020-792650.
瑞士	0800834659.
英国	0800-0569520.

**后续程序：**Monster将确认是否存在产品缺陷。Monster可自行决定指导您在一个服务中心获取维修服务。如果您获得了维修估价，您将被指导如何恰当地将估价和维修发票提交Monster以获得赔偿。任何维修费用可能会按Monster估价。



**时间:** 如果您提出了正式保修申请并且完全遵守本有限保修条款的条款和条件, Monster 将尽最大努力在收到您的保修申请之日起三十 (30) 天内向您提供救济, (前提是如果您在美国; 否则如果您在其他地方, 则四十五 (45) 天之内), 除非由于 Monster 不可控制的因素而延误。

\* 我们的产品提供多项保障, 依据澳大利亚消费者法律它们不能被排除。对于严重的产品问题, 您有权获得更换的产品或退款; 对于任何能合理预见的损失或损坏, 您有权获得赔偿。如果产品质量未达到可接受的程度, 但并不构成严重的产品问题, 您还有权要求修理或更换此产品

版本 121912-全球

©2003-2014 Monster, LLC

## (ZH\_TW) Monster® 性能與安全重要提示

### FCC ID: RJE190506

此設備符合 FCC 規則第 15 條。設備的操作需符合以下兩個條件: (1) 設備本身不會造成有害干擾, 且 (2) 設備必須能夠對抗任何收到的干擾, 包括可能影響設備、使之無法正常使用的干擾。未獲相關負責方明確認可之任何變更或修正, 將可能導致使用者喪失使用設備的權利。連接周邊設備要求使用接地型連訊號線。插座應裝在靠近設備, 且容易使用的位置。

**請注意:** 此設備已通過測試, 且符合 FCC 規則第 15 條 B 類數位器材限制。該規定是為了提供住宅合理的保護, 防止有害干擾而設計的。此設備能夠產生、使用並放射無線電頻率能量。若未依指示安裝和使用, 可能對無線電通信造成有害干擾。此外, 即使依照特定安裝程序進行, 亦不保證不會產生干擾。如果設備確實對無線電接收或電視接收造成有害干擾 (可透過開、關設備來判斷), 使用者可盡量嘗試透過以下一種或多種方法來修正干擾情形:

- 重新調整或安置接收天線。
- 增加設備與接收器之間的距離。
- 將設備連接到與接收器不同電路的插座上。
- 諮詢經銷商或有經驗的無線電/電視技術人員。

請注意: 未獲相關負責方明確認可之任何變更或修正, 可能導致使用者 (或您) 喪失使用設備的權利。設備應避免存放於過熱或過冷的環境。設備應避免接觸液體, 曝露於極端溫度環境及過於潮濕的環境。產品工作溫度範圍為 0-45°C (32-113°F)。

設備符合 FCC/IC 未設限環境所允許的輻射劑量限值。

### 加拿大規定 — IC ID: 7512A-190506

此 B 類數位設備符合加拿大 ICES-003 規定。

設備符合加拿大工業規範 RSS 210。設備的操作需符合以下兩個條件: (1) 設備本身不會造成有害干擾, 且 (2) 設備必須能夠對抗任何收到的干擾, 包括可能影響設備、使之無法正常使用的干擾。

### 加拿大 B 類產品要求

此數位器材未超出 B 類數位設備無線射頻噪音曝露限制 - 依據通訊部 ICES-003 標準, 標題「數位設備」關於產生干擾之設備相關規定。

### CAN ICES-3 (B)/NMB-3(B)

### 修正

未在設備保固明確認可範圍之任何變更或修正, 可能導致使用者喪失使用設備的權利。



## 歐洲 - 歐盟符合性聲明

此設備符合無線電設備及通訊終端設備指令 1999/5/EC。

此設備符合以下相關標準:

安全	EN 60950-1/A 12:2011
衛生	EN 62479:2010
電磁相容性 (EMC)	EN 301489-1 V1.9.2 EN 301489-17 V2.2.1 EN 55022: 2010 EN 55024: 2010
無線電	EN 300 328 V1.7.1



認證型號: 190506

**進口地址** Monster, LLC  
7251 West Lake Mead Blvd.,  
Las Vegas, NV 89128

**進口地址** Monster Technology International, Ltd.  
Ballymalley Business Park,  
Gort Rd., Ennis, Co. Clare, Ireland

## 聽者責任

為避免聽力受損, 在接耳機前請先確保調低音樂播放器的音量。戴好耳機後, 再慢慢將音量調整到適宜的水平。

噪音位準計量單位為分貝 (dB)。曝露於 85 dB 或更高噪音位準環境可能造成聽力逐漸喪失。

監控使用情況; 聽力喪失是噪音太大加以時間雙重作用的結果。聲音越大, 越要減少曝露在其中的時間。聲音越柔和, 就可以聽更久一些。

這個噪音位準 (dB) 表對一些常聽到的聲音以及這些聲音可能會造成的聽力受損情形做了比較, 並依序排列。

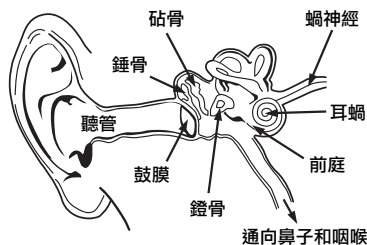
聲音	噪音位準 (dB)	效果
輕聲耳語	30	非常安靜
安靜的辦公室	50-60	舒適的聽力位準在 60 dB 以下
真空吸塵器、吹風機	70	有干擾性; 會干擾電話交談
食物攪拌器	85-90	自 85 dB 開始, 聽力即開始受損 (8 小時)
垃圾車、混凝土攪拌車	100	建議在未採取保護措施情形下曝露於 90-100 dB 的噪音環境勿超過 15 分鐘
電鋸、電鑽/手持式風鑽	110	經常性曝露於 100 dB 以上的噪音環境超過 1 分鐘會可能造成聽力永久性受損
搖滾音樂會 (以具體情況而定)	110-140	在 125 dB 左右會開始感覺到疼痛

圖表資料來自於 [www.nidcd.nih.gov/health/education/teachers/pages/common\\_sounds.aspx](http://www.nidcd.nih.gov/health/education/teachers/pages/common_sounds.aspx)

善加利用您的設備, 在安全範圍也能享受最棒的音效。我們的耳機使您以前所未有的低音量捕捉到更多音效細節。

請透過消費電子協會網站 ([www.ce.org](http://www.ce.org)) 瞭解如何建立安全收聽等級及檢視其他重要的安全指引。如何防止噪音性聽力損失 (NIHL) 重要資訊及何種噪音會造成聽力受損的完整清單, 請參考聽障研究基金會網站: [www.drf.org](http://www.drf.org)。

## 耳部生理學與聽覺



欲了解更多關於高分貝噪音對耳朵產生的影響及圖表，請參考：  
[www.abelard.org/hear/hear.php#loud-music](http://www.abelard.org/hear/hear.php#loud-music)

## 用戶責任

不安全的情況下。開車、騎腳踏車、過馬路時，及參加任何活動、或當位於某個需要集中精神觀察周圍情況的環境時請勿使用耳機。

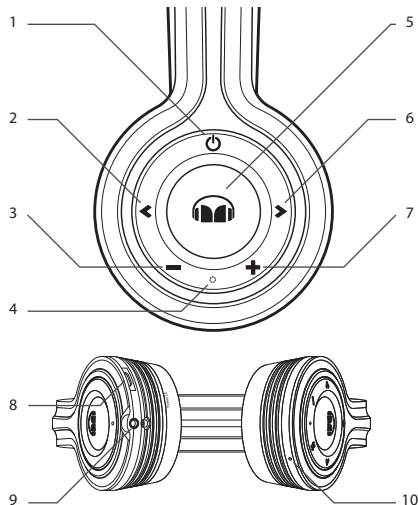
開車時戴耳機很危險。在很多地方，這樣的舉動甚至是違法的，因為它降低了您聽到車外其他攸關生命的聲音機率，例如其他車的喇叭聲及救護車的鳴笛聲等等。

請勿在開車時配戴耳機。可使用 Monster 的車載接收器來收聽行動媒體裝置的內容。

## 清潔

軟布用性質溫和的肥皂水弄濕，擦拭耳罩。

## 功能鍵與零件



耳機包含以下零件：

1. 多功能鍵 (電源開/關、配對、啟動語音撥號功能)
2. 返回音軌
3. 調低音量
4. 指示燈 (打開時才可看到)
5. 播放/暫停鍵 (接聽/掛機/拒接)
6. 下一音軌
7. 調高音量
8. 連接充電器
9. 3.5 公釐傳輸線連接埠
10. 麥克風

使用耳機前必須給電池充電，並將耳機與相容裝置配對。在耳機以接線連接到電話或音樂播放器時，Freedom 可在無充電電池情形下運作。

## 電池充電

耳機包含一條 Micro USB 線，可連接電腦或其他可用於 USB 充電的裝置。將所附 USB 線的 Micro USB 一端插入耳機左耳罩下面的攜帶式 USB 充電器接頭。另一端插入電腦的 USB 連接埠或其他用於 USB 充電的裝置。充電時指示燈會顯示紅色。充電完成時，綠色的 LED 燈會亮。電池完全沒電時充電所需時間為 1.5 小時。充滿電的電池其電力可供通話及/或聽音樂 10 小時，待機狀態則可以保持 100 小時。

**警告：**(1) 請留意電池處理的環保要求。電池必須回收或妥善處理。此產品不得與日常之家庭垃圾混在一起丟棄。產品必須去棄於規定的回收電氣、電子產品之處。透過廢棄物收集及回收再利用，您參與了節約自然資源，同時也確保減輕產品丟棄對環境及衛生的影響。(2) 電池 (電池組或安裝的電池) 不得曝露於過熱環境，例如陽光直射之處、近火等環境。(3) 請勿拆卸或替換電池。若發現電池有任何問題，請將裝置送至服務中心以獲取幫助。

## 開機

若要開機，請按壓開關鍵兩秒鐘。耳機會發出漸強的提示音，此時綠色指示燈會閃一下。當耳機嘗試連接最近一次連接過的電話或音樂播放器時，紅色指示燈會慢慢閃爍。當耳機與裝置連接成功時，藍色指示燈會慢慢閃爍。若尚未與任何裝置配對，耳機會自動進入配對模式。

## 配對

若要開機，請按壓開關鍵三秒鐘。耳機會發出漸弱的提示音，此時紅色指示燈會閃一下。若 10 秒鐘內未連接到裝置，耳機將會自動關閉。

## 配對

1. 確保您的電話或音樂播放器已打開。
2. 若耳機之前從未與任何裝置配對，請先打開耳機。耳機進入配對模式，藍色與紅色指示燈開始快速閃爍。若耳機之前曾與其他裝置配對，請確保耳機已關閉，然後按壓功能鍵 (約五秒鐘) 直至藍色與紅色指示燈開始快速閃爍。
3. 啟動電話或音樂播放器搜尋到的裝置中選擇「Freedom」。
4. 在電話或音樂播放器搜尋到的裝置中選擇「Freedom」。
5. 如有必要，可輸入密碼 0000 進行耳機與自有裝置的配對與連接。

## 調整音量

若要調整耳機音量，可在通話或聽音樂時按壓調高或調低音量鍵。若需快速調整音量，請長按對應的功能鍵。

**警告：**過高的耳塞及耳機聲壓可能會使聽力受損。

## 打電話

如欲通話，可在耳機與手機連接之後以常規方式使用手機。

若要啟動語音撥號 (如您的電話支援與耳機連接功能)，在無受話狀態下，快速按壓多功能鍵兩次直至電話開始語音撥號，然後依照電話的用戶指南進行。

接聽或掛斷電話，請快速按壓播放/暫停鍵。拒接電話，請按住播放/暫停鍵約兩秒鐘。

若要將耳機來電 (在通話狀態下) 轉成由所連接的電話接聽，請按住播放/暫停鍵約兩秒鐘。若要將電話來電 (在通話狀態下) 轉成由耳機接聽，請按住播放/暫停鍵約兩秒鐘。

## 停止耳機連接

若要停止耳機與裝置的連接，請關閉耳機，或在裝置的藍牙選項下終止連接。

## 重新連接耳機

若要將耳機與最近一次配對過的電話或音樂播放器連接，請打開耳機，或在裝置的藍牙選項下進行連接。

## 聽音樂

聽音樂時，可將耳機連接到支援 A2DP 藍芽協定的相容音樂播放器。在聽的音樂播放功能取決於您的音樂播放器。

在聽音樂的過程中按聽或打出電話時，音樂會暫停，直至通話結束。

播放某支單曲時，可在音樂播放器中選定該曲，然後按壓 iSport® Freedom 耳機上的播放/暫停鍵。中止或繼續播放單曲，請按壓播放/暫停鍵。

回放時選擇下一首單曲，請快速按壓下一音軌鍵。若要選擇前一首單曲，請快速按壓（一至兩次）返回音軌鍵。快速滾動瀏覽播放曲目，可按一下音軌或返回音軌鍵。

## 清除設定或重新設定

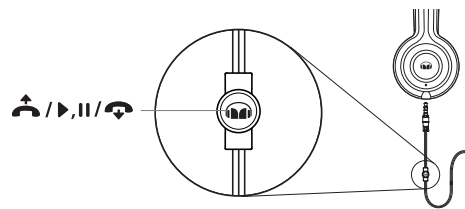
清除耳機的配對設定，請關閉耳機並同時按多功能鍵及調低音量鍵（超過 8 秒）直至紅色及藍色指示燈交替出現三次。

重新設定耳機，請將耳機與充電裝置連接並同時按多功能鍵及調高音量鍵。

## 被動模式

您將 iSport® Freedom 當作有線耳機使用，以節省電池電力。只需將所附的 ControlTalk Universal™ 耳機線一端連接至耳罩下方，另一端連接至 MP3 播放器即可。插入音訊傳輸線意謂關閉無線功能。

## ControlTalk Universal™ 應用



ControlTalk Universal™ 多功能耳機線特色是它的單一控制按鈕和內建麥克風，可以輕易在聽音樂或免持通話之間進行功能切換。

連接時，將 iSport® Freedom 耳機線帶有 ControlTalk 麥克風的一端插入左/右耳罩下方，另外一端插入音樂播放器的 1/8 吋 (3.5 公釐) 立體聲連接埠。

**來電接聽：**聽到來電鈴聲時，按一下 ControlTalk Universal™ 的控制按鈕即可接聽。

**掛機：**大部份電話只需按一下控制按鈕即可。有些電話則需要長按控制按鈕。

**使用來電插播：**大部份 (非全部) 電話的插播如下：當在通話狀態聽到來電插播提示音時，按一下控制按鈕即可接聽第二次通話，此時前一則電話將處於等待狀態。按一下控制按鈕則可再回到前一則電話。長按控制按鈕可結束當前通話並接通等待電話。

**播放或暫停單曲或影片：**按一下中央按鈕。重複播放。

裝置不同，其性能亦不盡相同。針對您的裝置性能，更多資訊請參閱：MonsterProducts.com/mp3/ctuniversalworks.asp

## 耳機「磨合期」

耳機也有磨合期？這是在開玩笑，對嗎？不，不是玩笑。與其它高性能產品一樣，無論是汽車或者是耳機，它們都是經過使用才能完全契合的機械裝置。您的新耳機音效會讓人耳目一新，尤其是經過使用「磨合」之後，效果會更佳。建議您使用 8 小時作為磨合期，而經過 20 小時的使用之後，磨合效果將全面呈現。盡情享受吧。

## 有限責任保固說明

Monster, LLC, 7251 West Lake Mead Blvd., Las Vegas, NV 89128, USA, **【請注意：MONSTER 不接受運至該地址的產品——請依照下面「如何申請保固」的指引】** (415) 840-2000 (以下稱 Monster) 向您提供本有限責任保固說明。成文法或判例法可能會提供給您附加的權利或救濟，不受本有限責任保固說明的影響。

## 定義

**“適當使用”** 是指如下對產品的使用 (i) 出自私人使用的 (而非商業的) 目的，(ii) 遵守所有可適用的法、法規或規章 (包括但不限於建築和/或相關用電規範)，(iii) 遵守產品隨附的資料和文件中生產者的建議和/或指示，以及 (iv) 在允許的情況下，有正確的接地處理。

**“被授權經銷商”** 是指任何如下的經銷商、轉銷商或零售商 (i) 根據您所購買產品的地區的法律，被授權從事商業活動，並被允許向您出售產品，(ii) 直接授權 Monster 與 Monster 有合同關係且遵守合同中所有條款與條件的第三方購買產品，以及 (iii) 向出售的產品是全新的，並且放置在原包裝中。

**“正式保固申請”** 是指根據本有限責任保固說明的“正式保固申請”說明內容提起的申請。

**“產品缺陷”** 是指如下產品 (i) 列在下方的表格中，(ii) 是您從被授權經銷商處購買，斷斷並且放置在原包裝中，以及 (iii) 其序列號 (如有) 未被去除、產成或破損的產品。

**“產品缺陷”或“有限缺陷”** 是指您從被授權經銷商處購買產品時含有，使其無法按照產品隨附的 Monster 文件正常運行的缺陷，除非該缺陷是全部或以下原因造成 (a) 非適當使用所導致，(b) 由於 Monster 員工以外人員的運輸、搬運、不當使用或者濫用所導致；(c) 由於 Monster 員工以外人員對產品的修改、篡改或改造所導致；(d) 意外事故 (符合產品缺陷條件的故障除外) 所導致；(e) 由於 Monster 員工以外人員對產品的維護或服務所導致；(f) 將產品置於高溫、強光、日曬、潮濕、沙塵或其他污染物中所導致，或 (g) Monster 無法控制的事由所導致，包括但不限於不可抗力、火災、暴風雨、地震或洪水。

**“保固期限”** 是指 Monster 應當收到您的正式保固申請的期限，與產品缺陷相關的不同的保固期限列於下面的表格表。保固期限自您從被授權經銷商處購買之日起 (以較後發生者為準) 產品之日起計算。對於被授權經銷商所發售，且經其維修或裝載日期，如果您沒有從經銷商購買或收執日期的書面憑證，則保固期限從產品出廠日起，經過 (3) 個月開始計算，以 Monster 的記錄為準。保固期限自規格表中所述的保固期限過期或您產品購買時終止，以先發生者為準。而且，您必須在發現 (如果該產品缺陷顯而易見，您必須在應當發現產品缺陷起 2) 個月內打電話 Monster 來獲得一個退貨許可號 (請參閱“如何申請保固”所述)。

**“您”** 是指最初從被授權經銷商購買原裝產品的個人或實體。本有限責任保固說明不適用於購買下列產品的個人或實體 (i) 已被使用或沒有包裝的產品，(ii) 被轉售、出租或用於其他商業用途的產品，或 (iii) 非來自被授權經銷商的产品。

## 本有限責任保固說明的範圍

**產品：**如果一個產品在您從被授權經銷商處購買時存在產品缺陷，並且 Monster 收到您的正式保固申請 (i) 在您發現 (如果該產品缺陷顯而易見，您必須在應當發現該產品缺陷起 (2) 個月內，並且 (ii) 在該缺陷產品適用的保固期限終止之前，Monster 將向您提供以下之一：(1) 由 Monster 自行決定修理或更換該缺陷產品，或者 (2) 如果修理或更換在商業上無法合理或無法達成，Monster 將退還您。您必須向 Monster 提供該產品收執日期。注意：依照相關法律，MONSTER 在本有限責任保固說明項下不對任何偶然、結果性、或間接的損害承擔任何責任。

## 一般說明

**法律管轄權：**本有限責任保固說明及任何因其產生或與其相關的糾紛 (以下稱“糾紛”) 應當適用產品購買所在地法律。

**其他權利：**除了本有限責任保固說明授予給您的特定法律權利，根據管轄區的不同，您也可能擁有其他權利，這些權利不受本有限責任保固說明的影響。\* 本有限責任保固說明只對您適用，不得讓與或轉移。如果本有限責任保固說明中的任何條款違法、無效或無法實施，該條款應視為可分割，不影響其他條款的有效性。如果本有限責任保固說明的英文版與其他語言的版本存在不一致之處，以英文版為依據。

**註釋：**請在 www.MonsterProducts.com 註冊您的產品。未註冊不會減低您在有限責任保固說明下的權利。

## 規格表

產品型號	產品保固期限
本保固說明所適用的產品	南北美及亞太地區出售的產品保固期為一 (1) 年 在歐洲出售的產品保固期為兩 (2) 年

## 正式保固申請

**如何申請保固：**如果產品發生損壞，您必須遵循如下指示：(1) 在您發現 (如果該產品缺陷顯而易見，您必須在應當發現產品缺陷起 (2) 個月內) 電話通知 Monster；(2) 提供有關損壞如何發生的詳細描述；(3) 獲得一個退貨許可號；(4) 退還產品，由您付運費 (如果您在本有限責任保固的範圍內有權獲得救濟，該筆費用將退還給您) 由 Monster 來定損壞，且附上您購買該產品的原裝收據和購買單據 (發票或裝箱單)，填寫完整的保固申請表，以及在退貨包裹上印上退貨許可號 (保固申請表將包含退貨指示)。

**電話諮詢：**如果您是在美國，拉丁美洲 (墨西哥 011-882-800-8989)，或亞太地區 (中國 400-820-8973) 購買的產品，請透過國際聯繫中心，LLC (455 Valley Drive, Brisbane, CA 94005)，或致電 1-877-800-8989 (請注意：MONSTER 不接受運至該地址的產品——請依照下述“如何申請保固”的指引)。如果您是在澳大利亞購買的產品，請與 Monster 的代理聯系：Convoy International Pty Ltd (02 70071111)，Unit 7, 1801 Botany Rd, Banksmeadow, NSW 2193 Australia。如果您是在任何其他地方購買的產品，請聯繫 Monster Technology International Ltd., Ballymally Business Park, Ennis, Co. Clare, Ireland。您可以撥打以下電話諮詢：加拿大 866-948-4171，查爾斯 353 65 68 69 534，高麗利 0800-296-7021，比利時 0800-700-211，捷克共和國 800-1424071，丹麥 8088-2128，芬蘭 800-112768，法國 800-0181201，德國 800-1819388，希臘 00800-353-1208，義大利 800-8071-479，荷蘭 800-00228919，挪威 800-10906，俄羅斯 810-800-20051353，西班牙 900-982-909，瑞典 020-792650，瑞士 0800834659，英國 0800-0569520。

**後續處理程序：**Monster 將確認是否存在產品缺陷，Monster 可自行指導您在一個服務中心獲得維修服務。如果您獲得了維修服務，您將被指導如何運送您的損壞和維修服務提交 Monster 以獲得賠償。任何維修費用可能會由 Monster 提出承擔。

**時間：**如果您提出了正式保固申請並且完全遵守本有限責任保固說明的權限和條件，除非由於不可抗力而延遲，Monster 將盡最大努力在收到您的保固申請之日起三十 (30) 天內向其他地方通知，如果您在美國；但如果您在其他地方，則在四十五 (45) 天之內。

\*我們的產品提供多項保障，依據澳大利亞消費者法律它們不能被排除。對於嚴重的產品問題，您有權獲得更換的產品或接受；對於任何不能合理預見的損失或破損，您有權獲得賠償。如果產品質量未達到可接受的程度，且本不構成嚴重的產品問題，您還有權要求修理或更換此產品。

版本 121912-1 全球

©2003-2014 Monster, LLC

# (KO) 중요 Monster® 성능 및 안전 정보

## FCC ID: RJE190506

본 장치는 FCC 규칙 파트 15를 준수합니다. 이 장치의 작동은 다음 두 조건을 전제로 합니다. (1) 본 장치는 유해한 간섭을 일으키지 않습니다. (2) 본 장치는 바람직하지 않은 작동을 일으킬 수 있는 간섭을 포함하여 어떠한 수신 간섭도 수용해야 합니다. 규정 준수를 확인한 측에서 명시적으로 승인하지 않은 방식으로 장치를 변경 또는 개조하는 경우 사용자의 장비 사용 권한이 무효화될 수 있습니다. 주변기기를 연결하려면 접지된 차폐 선으로 케이블을 사용해야 합니다. 소켓 콘센트는 장비 근처에 설치하고 쉽게 접근할 수 있어야 합니다.

**참고:** 본 장치는 FCC 규칙 파트 15에 따라 클래스 B 디지털 장치에 대한 제한을 준수하는 것으로 테스트 결과 입증되었습니다. 이러한 제한은 주거 지역에서 사용 시 유해한 간섭으로부터 합당한 보호를 제공하도록 고안되었습니다. 본 장치는 무선 주파수 에너지를 생성, 사용 및 방출할 수 있으며 지점에 따라 설치 및 사용하지 않을 경우 무선 통신에 유해한 간섭을 일으킬 수 있습니다. 그러나 특정한 설치 환경에서 간섭이 발생하지 않을 것이라고 보증하지는 않습니다. 본 장치가 라디오 또는 TV 수신에 유해한 간섭을 일으키는 경우(장비를 끄고 켜서 확인할 수 있음), 다음 방법 중 한 가지 방법을 이용하여 간섭을 없앨 것을 권장합니다.

- 수신 안테나의 방향이나 위치를 바꿉니다
- 장비와 수신기 사이의 거리를 늘립니다
- 장비를 수신기가 연결된 회로와 다른 회로의 콘센트에 연결합니다
- 판매점이나 숙련된 라디오/TV 기술자에게 도움을 요청합니다

**주의:** 규정 준수를 확인한 측에서 명시적으로 승인하지 않은 방식으로 장치를 변경 또는 개조하는 경우 사용자의 장비 사용 권한이 무효화될 수 있습니다. 지나치게 춥거나 더운 곳에 보관하지 마십시오. 액체, 극한의 온도 및 높은 습도에 노출시키지 마십시오. 제품의 작동 온도 범위는 0~45°C (32~113°F)입니다.

본 장치는 제어되지 않은 환경에서 명시된 FCC/IC 방사능 노출 제한을 준수합니다.

## 캐나다 고지 — IC ID: 7512A-190506

본 클래스 B 디지털 장비는 캐나다 ICES-003을 준수합니다.

본 장치는 Industry Canada의 RSS 210을 준수합니다. 이 장치의 작동은 다음 두 조건을 전제로 합니다. (1) 본 장치는 유해한 간섭을 일으키지 않습니다. (2) 본 장치는 바람직하지 않은 작동을 일으킬 수 있는 간섭을 포함하여 어떠한 수신 간섭도 수용해야 합니다.

## 캐나다 클래스 B 선언문

본 디지털 장치는 "디지털 장비", ICES-003을 표제로 한 캐나다 통신성의 간섭 유발 장비 표준에 명시된 바와 같이 디지털 장비의 무선 노이즈 방출에 대한 클래스 B 제한을 초과하지 않습니다.

## CAN ICES-3 (B)/NMB-3(B)

### 개조

본 장치의 피양도자가 명시적으로 승인하지 않은 방식으로 장치를 변경 또는 개조할 경우 사용자의 장치 사용 권한이 무효화될 수 있습니다.



## 유럽 EU 적합성 선언문

본 장치는 무선 장비 및 통신 단말 장비 지침인 1999/5/EC를 준수합니다.

본 장치는 다음 적합성 기준을 충족합니다.

안전	EN 60950-1/A 12:2011
건강	EN 62479:2010
EMC	EN 301489-1 V1.9.2 EN 301489-17 V2.2.1 EN 55022:2010 EN 55024:2010
무선	EN 300 328 V1.7.1



인증 모델 번호: 190506

**수입 주소** Monster, LLC  
7251 West Lake Mead Blvd.,  
Las Vegas, NV 89128

**수입 주소** Monster Technology International, Ltd.  
Ballymore Business Park,  
Gort Rd., Ennis, Co. Clare, Ireland

## 청취 시 주의 사항

청각 손상을 방지하기 위해 헤드폰을 연결하기 전에 음악 플레이어의 볼륨을 줄이십시오. 헤드폰을 귀에 착용한 후에는 편안하게 들 수 있는 지점까지 볼륨을 천천히 올리십시오.

소음 수준은 데시벨(dB)로 측정되며 85 dB 이상의 소음에 노출되면 청각이 점차적으로 손실될 수 있습니다.

사용 주의: 청각은 소리의 크기와 노출된 시간의 함수로 손실됩니다. 소리가 클수록 노출 허용 시간이 줄어듭니다. 소리가 작을수록 들 수 있는 시간이 길어집니다.

이 데시벨(dB) 표에는 몇 가지 일반적 사운드가 비교되어 있고 잠재적인 청취 위험도 순위도 표시되어 있습니다.

사운드	소음 레벨 (dB)	효과
휘파람	30	매우 조용함
조용한 사무실	50-60	편안한 청취 레벨은 60 dB 미만입니다
전공 청소기, 헤이 드라이어	70	신경에 거슬림; 전화 통화하기에 불편함
믹서기	85-90	85 dB은 청각 손상(8시간)이 시작되는 레벨입니다
쓰레기차, 시멘트 믹서	100	90-100 dB 범위의 사운드에는 15분 이상 보호되지 않은 상태로 노출되지 않는 것이 좋습니다
전동 톱, 드릴/액헤머	110	1분 이상 100 dB 이상의 사운드에 주기적으로 노출되면 영구적 청각 손실의 위험이 있습니다
록 콘서트 (다양)	110-140	약 125 dB부터는 고통을 느끼기 시작합니다

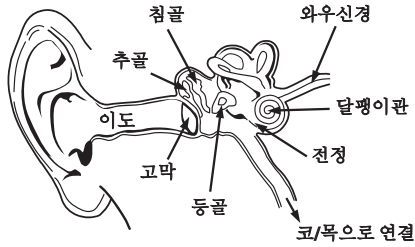
차트 정보는 [www.nidcd.nih.gov/health/education/teachers/pages/common\\_sounds.aspx](http://www.nidcd.nih.gov/health/education/teachers/pages/common_sounds.aspx)에서 발견했습니다

장비의 가치를 최대도 활용하고 안전한 레벨에서 훌륭한 오디오 성능을 즐기십시오. 당사 헤드폰은 이전보다 낮은 볼륨 레벨에서도 더 세부적 사운드를 들려드립니다.

소비자 전자제품 협회 웹 사이트 [www.ce.org](http://www.ce.org)에서 안전한 청취 레벨을 맞추는 방법을 알아보고 다른 중요 안전 가이드라인도 읽어보십시오. 청각손실연구재단 웹 사이트인 [www.dr.org](http://www.dr.org)에서 소음에 의한 청력 상실(NHL)을 방지하는 방법에 대한 중요 정보 및 손상을 일으킬 수 있는 소음의 상세 목록을 확인할 수 있습니다.



## 귀와 청각의 생리학



큰 소리가 귀에 미치는 영향과 차트에 대한 자세한 정보를 알아보려면 [www.abelard.org/hear/hear.php#loud-music](http://www.abelard.org/hear/hear.php#loud-music) 을 참조하십시오.

## 책임있게 사용

차를 운전하거나 자전거를 타거나 도로를 건너거나, 주변 상황이 매우 주의해야 하는 활동이나 상황에 있을 경우 등 안전하지 않을 때는 헤드폰을 사용하지 마십시오.

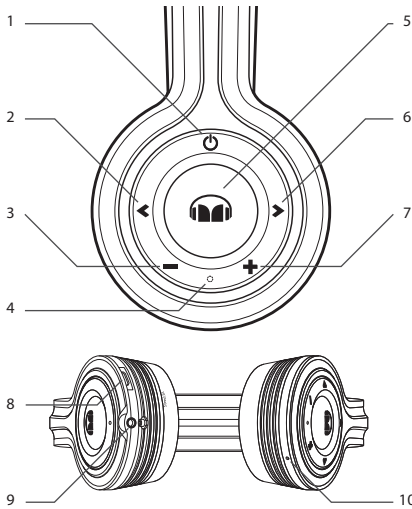
다른 차량의 경적 및 음극 차량의 사이렌 등 생명과 직결되는 차량 외부의 소리를 들 수 있는 가능성을 줄이기 때문에 헤드폰을 착용한 채로 운전하는 것은 위험하며 지역에 따라 법으로 금지되어 있습니다.

운전 중에는 헤드폰을 착용하지 마십시오. 이러한 상황에서는 **Monster**의 FM 송신기를 사용하여 모바일 미디어 장치를 청취하십시오.

## 청소

연한 비눗물을 적신 부드러운 천으로 이어컵을 닦습니다.

## 키 및 각부



헤드셋은 다음 부분으로 구성되어 있습니다.

- |                                    |                 |
|------------------------------------|-----------------|
| 1. 다기능 키(전원 켜기/끄기, 페어링, 음성 호출 활성화) | 6. 트랙 앞으로       |
| 2. 트랙 뒤로                           | 7. 볼륨 높이기       |
| 3. 볼륨 줄이기                          | 8. 충전기 연결       |
| 4. 표시등(켜졌을 때만 보임)                  | 9. 3.5mm 케이블 포트 |
| 5. 재생 / 일시정지 키(전화 받기/통화 종료/통화 거부)  | 10. 마이크         |

헤드셋을 사용하기 전에 배터리를 충전하고 헤드셋을 호환 장치와 페어링해야 합니다. 케이블로 전화나 음악 플레이어에 연결했을 때는 **Freedom**이 충전 배터리 없이 작동합니다.

## 배터리 충전

헤드폰에는 컴퓨터나 다른 USB 충전용 장치에 연결할 수 있는 마이크로 USB 케이블이 포함되어 있습니다. 포함된 USB 케이블의 마이크로 USB 쪽을 헤드폰 왼쪽 이어컵 아래에 있는 USB 마이크로 포트 충전기 커넥터에 꽂습니다. USB 포트의 반대 쪽을 컴퓨터나 다른 USB 충전용 장치에 꽂습니다. 충전 중에는 표시등이 빨간색으로 켜집니다. 완전히 충전되면 녹색 LED가 켜집니다. 완전 방전된 배터리의 충전 시간은 1.5시간입니다. 완전히 충전된 배터리로 10시간 통화 및/또는 음악 청취, 그리고 100시간 통화 대기 가 가능합니다.

**경고:** (1) 배터리 폐기에 관한 환경 보호 측면에 주의하십시오. 배터리는 재활용하거나 적합하게 폐기해야 합니다. 본 제품은 일반 가정 쓰레기와 함께 버리지 않아야 합니다. 본 제품은 전기 및 전자 기기를 재활용을 위해 공식 지정된 장소에 폐기해야 합니다. 폐기물을 수집하고 재활용하면 천연 자원을 절약하고 제품이 환경 친화적이고 건강하게 폐기되도록 도움을 줄 수 있습니다. (2) 배터리(배터리 팩 또는 설치된 배터리)는 직사광선, 불 등의 과도한 열에 노출시키지 않아야 합니다. (3) 배터리를 분해하거나 교체하지 마십시오. 배터리에 문제가 있는 것으로 보이면서 서비스 센터를 찾아 지원을 요청하십시오.

## 전원 켜기

전원을 켜려면 다기능 키를 약 2초간 누르고 있습니다. 헤드셋이 점차 톤을 높여가며 신호음을 울리고 녹색 표시등이 짧게 표시됩니다. 헤드셋이 마지막으로 사용된 전화기나 음악 플레이어에 연결을 시도하면 빨간색 표시등이 천천히 깜박입니다. 헤드셋이 장치에 연결되고 사용 준비가 끝나면 파란색 표시등이 천천히 깜박입니다. 헤드셋이 장치와 페어링되어 있지 않으면 페어링 모드로 자동 전환됩니다.

## 전원 끄기

전원을 끄려면 다기능 키를 약 3초간 누르고 있습니다. 헤드셋이 점차 톤을 낮춰가며 신호음을 울리고 빨간색 표시등이 짧게 표시됩니다. 헤드셋이 10분 내에 장치에 연결되지 않으면 자동으로 전원이 꺼집니다.

## 페어링

- 전화기 또는 음악 플레이어가 켜져 있는지 확인합니다.
- 이전에 장치와 페어링된 적이 없는 헤드셋을 페어링하려면 헤드셋을 켭니다. 헤드셋이 페어링 모드로 전환되고 파란색 및 빨간색 표시등이 빠르게 깜박이기 시작합니다. 이전에 다른 장치와 페어링된 적이 있는 헤드셋을 페어링하려면 헤드셋이 꺼져 있는지 확인한 다음 파란색 및 빨간색 표시등이 빠르게 깜박이기 시작할 때까지 다기능 키를 누르고 있습니다(약 5초 동안).
- 전화기나 음악 플레이어에서 **Bluetooth®** 기능을 활성화하고 **Bluetooth** 장치를 검색하도록 설정합니다.
- 전화기나 음악 플레이어에서 발견된 장치 목록에서 **"Freedom"** 을 선택합니다.
- 필요시 **0000**의 암호를 입력하여 헤드셋을 장치에 페어링하고 연결합니다.

## 볼륨 조절

헤드셋 볼륨을 조절하려면 통화 중 혹은 음악 청취 중에 볼륨 올리키 또는 내리기 키를 누릅니다. 볼륨을 빠르게 조절하려면 키를 길게 누릅니다.

**경고:** 이어폰 및 헤드폰을 통해 과도한 음압에 노출되면 청각이 손상될 수 있습니다.

## 통화

통화하려면 헤드셋이 연결된 상태에서 평상시와 같이 휴대전화를 사용하면 됩니다.

통화 중이 아닐 때 음성 호출을 사용하려면 (전화기가 헤드셋에서 이 기능을 지원하는 경우) 전화기의 음성 호출이 시작될 때까지 대기능 키를 두 번 빠르게 누르고 전화기 사용 설명서의 설명에 따라 호출을 진행합니다.

걸려오는 전화를 받거나 통화를 끝내려면 재생/일시 정지 키를 짧게 누릅니다. 통화를 거부하려면 재생/일시 정지 키를 약 2 초간 누르고 있습니다.

헤드셋에서 연결된 전화기로 (진행 중인) 통화를 전환하려면 재생/일시 정지 키를 약 2초간 누르고 있습니다. 전화기에서 헤드셋으로 (진행 중인) 통화를 전환하려면 재생/일시 정지 키를 약 2초간 누르고 있습니다.

## 헤드폰 분리

장치에서 헤드셋을 분리하려면 헤드셋을 끄거나 장치의 Bluetooth 메뉴에서 헤드셋을 분리합니다.

## 헤드폰 다시 연결

마지막으로 사용한 전화기나 음악 플레이어에 헤드셋을 연결하려면 헤드셋을 켜거나 장치의 Bluetooth 메뉴에서 연결을 설정합니다.

## 음악 듣기

음악을 들으려면 헤드셋을 A2DP Bluetooth 프로파일을 지원하는 호환 음악 플레이어에 연결합니다. 사용 가능한 음악 기능은 해당 음악 플레이어에 따라 다릅니다.

음악을 듣는 중에 걸려오는 전화를 받거나 전화를 거는 경우 통화가 끝날 때까지 음악이 일시 정지됩니다.

곡을 재생하려면 음악 플레이어에서 곡을 선택하고 iSport® Freedom 헤드셋에서 재생/일시 정지 키를 누릅니다. 곡 재산을 일시 정지하거나 다시 재생하려면 재생/일시 정지 키를 누릅니다.

재생 중 다음 곡을 선택하려면 트랙 앞으로 이동 키를 빠르게 누릅니다. 이전 곡을 선택하려면 트랙 뒤로 이동 키를 (한 번 또는 두 번) 빠르게 누릅니다. 현재 곡을 빠르게 돌리려면 원하는 방향의 키를 길게 누릅니다.

## 설정 삭제 또는 재설정

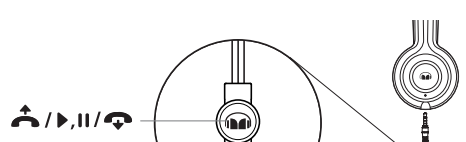
헤드셋에서 페어링 설정을 삭제하려면 헤드셋을 끄고 빨간색 및 파란색 표시등이 3번 켜질 때까지 대기능 키와 볼륨 내리기 키를 길게 누릅니다(8초 이상 동안).

헤드셋을 재설정하려면 헤드셋을 충전기에 연결하고 대기능 키와 볼륨 올리기 키를 동시에 누릅니다.

## 패시브 모드

iSport® Freedom을 유선 헤드폰으로 사용하여 배터리를 절약할 수 있습니다. 간단히 동봉된 ControlTalk Universal™ 케이블의 한쪽 끝을 이어잡 아래에 연결하고 반대 쪽을 MP3 플레이어에 연결하면 됩니다. 오디오 케이블을 삽입하면 무선 기능이 해제됩니다.

## ControlTalk Universal™ 사용



ControlTalk Universal™ 온케이블 리모콘에는 단일 제어 버튼과 내장 마이크가 있어 음악 청취 상태에서 전화기 핸즈프리 통화 상태로 쉽게 전환할 수 있습니다.

연결하려면 ControlTalk Universal™이 가까운 iSport® Freedom 헤드폰 케이블 쪽을 왼쪽 또는 오른쪽 이어잡 하단에 연결하고 반대 쪽을 음악 플레이어의 1/8" (3.5mm) 스테레오 소켓에 연결합니다.

**전화 받기:** 전화가 걸려오면 ControlTalk Universal™의 제어 버튼을 눌렀다 놓아 전화를 받습니다.

**통화 종료:** 대부분의 전화기에서 제어 버튼을 눌렀다 놓습니다. 일부 전화기에서는 제어 버튼을 길게 눌러야 합니다.

**통화 대기기를 사용하려면:** 대부분의 (전부는 아닌) 전화기는 다음과 같이 작동합니다. 이미 통화 중인 상태에서 전화가 걸려오면 제어 버튼을 눌렀다 놓아 전화를 받고 진행 중이던 통화는 보류 상태로 전환합니다. 제어 버튼을 눌렀다 놓으면 첫 번째 통화로 다시 전환됩니다. 제어 버튼을 길게 누르면 현재 통화가 종료되고 보류 중인 통화로 전환됩니다.

**노래 또는 동영상 재생/일시 정지:** 가운데 버튼을 눌렀다 놓습니다. 이 버튼을 다시 눌러 재생을 다시 시작합니다.

기능은 장치마다 차이가 있습니다. 해당 장치에 대한 자세한 기능 정보는 [MonsterProducts.com/mp3/ctuniversalworks.asp](http://MonsterProducts.com/mp3/ctuniversalworks.asp)를 방문하여 확인하십시오.

## 헤드폰 "길들이기"

헤드폰에 길들이기가 필요한가요? 농담이겠지요? 아닙니다. 사실입니다. 자동차나 헤드폰에 관계 없이 고성능 제품의 경우 기계적 장치라는 공통점이 있기 때문에 어느 정도 사용한 후에 제 성능을 발휘합니다. 귀하가 구입한 새 헤드폰은 곧바로 사용해도 뛰어난 사운드를 들려주지만 어느 정도 사용한 후에 "무드"에 더 훌륭한 사운드를 냅니다. 8시간 정도의 음악 재생을 권장합니다. 20시간 후면 길들이기가 완전히 끝납니다. 이제 훌륭한 사운드를 즐기십시오.

## 소미자 제한 보증

7251 West Lake Mead Blvd., Las Vegas, NV 89128, USA [MONSTER는 이 주소로 배송된 제품 결함을 보증합니다. 아래의 "보증 청구 방법"이나 "제거를 받으십시오."에 소미자 Monster, LLC(전화번호: (415) 549-2000) (이하 "Monster")는 귀하에게 본 제한 보증 적용됩니다. 성분법 또는 컴포넌트마다 귀하에게 본 제한 보증의 영향을 받지 않는 추가 권리가 국제 조치가 주어질 수도 있습니다.

### 정의

**"적합한 사용"** 은 (i) 개인적 목적으로 (상업적 목적을 배제), (ii) 모든 해당 법률, 규정 또는 법령을 준수하여 (건설 및/또는 전기 법령을 포함하여 이에 국한되지 않음), (iii) 제조업체 권장 사항 및/또는 제품에 부수된 설명서 및 자료의 지침에 따라, (iv) 해당하가 경우, 적합한 전기 접지를 이용한 계획 제품 사용을 의미합니다.

**"공인 판매점"** 은 (i) 귀하가 제품을 구입한 점의 법률에 따라 사업 수행을 인가 받고 귀하에게 제품을 판매할 권리를 허가 받았으며, (ii) Monster로부터 직접 또는 본고와 계약 관계를 맺고 있는 터라로부터 이러한 계약에서 승인된 약관에 따라 조달한 제품을 판매했으며, (iii) 귀하에게 원래 포장에 담긴 새 제품을 판매한 유통 업체, 재판매업체 또는 소매업체를 의미합니다.

**"공식 보증 청구"** 는 본 문서의 "공식 보증 청구"에 따라 제출된 보증 청구를 의미합니다.

**"제품"** 은 (i) 아래 사양표에 나열되어 있고, (ii) 원래 포장에 담긴 새 제품으로 공인 판매점에서 구입했으며, (iii) 일련 번호가 체계, 번호 또는 훼손되지 않은 제품을 의미합니다.

**"제품 결함"** 또는 **"결함이 있는 제품"** 은 귀하가 공인 판매점에서 제품을 구입한 날 당시 존재했고 제품이 부수된 Monster 설명서에 따라 제품이 작동하지 못하거나 제품의 작동 성능을 의미합니다. 단, 이러한 결함은 전적으로 아무런 보증도 다음과 같은 원인이 아니어야 합니다. (a) 적합하지 않은 사용, (b) Monster가 원인이 아닌 사람에 의한 운송, 관리 부주의, 남용 또는 오용, (c) Monster 직원이 아닌 사람에 의한 개조, 번호 또는 변경, (d) 사고 (제품 결함으로 취급될 수 있는 오작동 제외), (e) Monster 직원이 아닌 사람에 의한 제품 유지/관리 또는 장애, (f) 일련 번호, 조정, 개조, 변경, 교체, 모뎀 또는 다른 오염 물질에 제품 노출, 또는 (g) 화재, 침수, 낙하, 지진 또는 홍수에 포함하여 (이에 국한되지는 않음) Monster의 고장 등록력을 벗어난 상황.

**"보증 기간"** 은 Monster가 귀하의 공식 보증 청구를 받아들이어야 하는 기간을 의미합니다. 아래 사양표에 제품 결함과 관련된 여러 가지 보증 기간이 정의되어 있습니다. 보증 기간은 귀하가 공인 판매점에서 제품을 구입 또는 수령(또는 시기를 기준)한 날에 시작됩니다. 이 날짜는 공인 판매점에 방문한 계산서, 판매 영수증 또는 납품 명세서로 증명됩니다. 구매 또는 수령 날짜를 증명할 수 없는 문서는 아닌 경우, 보증 기간은 제품이 Monster 또는 Monster 공장에서 출고된 날 (Monster에서 관리하는 시기로 기준)하는 시점에 종료됩니다. 또한, 귀하는 제품 결함을 발견한 후 2개월 내에 (이러한 제품 결함이 분명한 경우 발견했어야 함) Monster로 전화를 걸어 방문 승인 번호를 받아야 합니다( "보증 청구 방법" 및 설명서를 따름).

**"귀하"** 는 공인 판매점을 통해 원래 포장 상태의 제품을 구입한 최초의 사람을 의미합니다. (ii) 재판매, 임대 또는 기타 상업 목적으로 사용하거나 위해 구입했거나 (iii) 공인 판매점이 아닌 다른 통해 구입한 사람 또는 단체 에는 적용되지 않습니다.

### 본 제한 보증의 범위

**제품** 공인 판매점을 통해 제품을 구입한 날에 제품 결함이 존재했고 (i) 이러한 제품 결함을 발견한 후 2개월 내에 (이러한 제품 결함이 분명한 경우 발견했어야 함) 그리고 (ii) 결함이 있는 제품이 적용되는 제품 결함 보증 기간이 끝나기 전까지 Monster가 공식 보증 청구가 접수되는 경우, Monster는 다음 국제 조치 중 한 가지 또는 그 이상에 따라 제품을 교체합니다. 또는 (2) 수리나 교환이 상업적으로 부적합하거나 시기 적절하게 이루어질 수 없는 경우 귀하가 결함이 있는 제품에 대해 Monster나 공인 판매점에 지불한 구매 가격을 귀하에게 환불합니다. 참고: 해당 법률의 허용하는 최대의 범위 내의 모든 보증 보증은 본 제한 보증에 따른 아무런, 결과 또는 간접적 손해에 대해서도 책임을 지지 않습니다.



## 일반 조항

**법률/법적 선택.** 본 제한 보증 및 본 제한 보증에 의하거나 이와 관련하여 발생하는 모든 분쟁(이하 "분쟁")은 귀하가 제품을 구입한 법륜에 의거하여 심리될 것입니다.

**기타 권리.** 본 제한 보증은 귀하에게 특정한 법적 권리를 부여하며 귀하는 법역마다 다르며 본 제한 보증의 영향을 받지 않는 다른 권리로 가질 수 있습니다. \*본 보증은 귀하에게만 적용되며 이전 또는 양도가 불가합니다. 본 제한 보증의 어떤 조항이 불법적이거나, 무효이거나, 집행할 수 없는 것으로 밝혀지는 경우, 이 조항은 분리 가능한 것으로 취급되고 나머지 조항에 영향을 미치지 않습니다. 본 제한 보증의 영어본과 기타 번역본 사이에 일치하지 않는 내용이 있을 경우 영어본이 우선합니다.

**등록.** [www.MonsterProducts.com](http://www.MonsterProducts.com)에서 제품을 등록하십시오. 등록하지 않을 경우 보증 권리가 줄지는 않습니다.

## 사양표

제품 모델	제품 보증 기간
본 보증서가 있는 제품	복미 및 남미, 및 아시아 태평양 지역에서 판매된 제품의 경우 1년. 유럽에서 판매된 제품의 경우 2년 본 보증서가 있는 제품.

## 공식 보증 청구

**청구하는 방법.** 제품 결함이 발견될 경우, 다음 지침을 따라야 합니다. (1) 제품 결함을 발견한 후 2개월 내에 (이러한 제품 결함이 분명한 경우 발견했거나 함) Monster로 연락을 줍니다. (2) 손상이 발생한 경위에 대해 상세히 설명합니다. (3) 발송 승인 번호를 받습니다. (4) 손상 확인을 위해 배송료를 선불로 지불하여(본 제한 보증의 범위에서 따라 국제 조치 자격이 주어지는 경우 환불함) Monster로 제품을 발송합니다. 이때 이러한 제품에 대한 **최초 판매 영수증이나 구입 증명 자료**(계산서 또는 납품 명세서)의 사본을 첨부하고 청구 양식을 작성하며 발송 포장 결면에 발송 승인 번호를 기재해야 합니다(청구 양식에 발송 지침이 포함됨).

**전화번호.** 제품을 미국 (1-877-800-8989), 라틴 아메리카(멕시코 011-882-800-8989) 또는 아시아 태평양(중국 400-820-8973) 지역에서 구입한 경우, 우편주소 455 Valley Drive, Brisbane, CA 94005에 소재한 Monster, LLC에 연락하십시오.(MONSTER는 이 주소로 배송된 제품을 받지 않습니다. 위의 "청구하는 방법"에 나온 지침을 따르십시오). 제품을 호주에서 구입한 경우, Unit 7, 1801 Botany Rd, Banksmeadow, NSW 2019 Australia에 소재한 Monster 대리점인 Convoy International Pty Ltd (02 9700 0111)로 연락하십시오. 제품을 그외 지역에서 구입한 경우, Ballymaley Business Park, Gort Road, Ennis, Co. Clare, Ireland에 소재한 Monster Technology International Ltd.로 연락하십시오. 다음 전화 번호 중 하나를 이용할 수 있습니다. 캐나다 866-348-4171, 아일랜드 353 65 68 69 354, 오스트리아 0800296482, 벨기에 0800-79201, 체코 800-142471, 덴마크 8088-2128, 핀란드 800-112768, 프랑스 0800-918201, 독일 0800-1819388, 그리스 00800-353-12008, 이탈리아 800-871-479, 네덜란드 0800-0228919, 노르웨이 800-10906, 러시아 810-800-20051353, 스웨덴 900-982-909, 스웨덴 020-792650, 스위스 0800834659, 영국 0800-0569520.

**추가 보증 처리.** Monster는 제품 결함이 존재하는지 여부를 결정합니다. Monster는 자유 판단에 따라 귀하에게 서비스 센터에서 수리 견적을 받도록 지시할 수 있습니다. 수리 견적이 필요한 경우, 비용 지불을 위해 견적서와 계산서를 Monster에 올바르게 제출하는 방법에 대한 지침이 제공됩니다. 수리 비용은 Monster와 협의될 수 있습니다.

**처리 기간.** 귀하가 공식 보증 청구를 제출하고 본 제한 보증의 모든 조건을 완전히 충족하는 경우, Monster는 공식 보증 청구를 접수한 날로부터 30일 이내(귀하가 미국에 있을 경우이며, 그의 지역에서는 45일을 기준으로 함)에 귀하에게 국제 조치를 제공하기 위해 최선을 다할 것입니다. 단, Monster의 통제력을 벗어난 원인이 발생한 경우 처리가 지연될 수 있습니다.

\*당사 제품에는 호주 소비자 법률에 따라 제외시킬 수 없는 보증이 함께 제공됩니다. 귀하는 중대 결함에 대해 제품 교체나 환불을 받거나 합당하게 예측 가능한 손실이나 손해에 대해 보상을 받을 수 있습니다. 귀하는 또한 제품이 수송 가능한 품질 수준에 미달되고 이러한 품질 미달이 중대 결함이 아니라라도 제품을 수리 또는 교체 받을 수 있습니다.

버전 121912 - GLOBAL

©2014 Monster, LLC

# (PL) Ważne informacje dotyczące urządzeń firmy Monster® i zasady bezpieczeństwa



## FCC ID: RJE190506

Urządzenie to spełnia warunki ujęte w części 15 przepisów FCC. Korzystanie z urządzenia podlega następującym dwóm warunkom: (1) działanie urządzenia nie może powodować szkodliwych zakłóceń i (2) urządzenie musi odbierać zakłócenia, łącznie z tymi, które mogą powodować niepożądane działania. Dokonanie jakichkolwiek zmian lub modyfikacji bez wyraźnej zgody podmiotu odpowiedzialnego może unieważnić prawo użytkownika do korzystania z tego urządzenia. Podłączając urządzenia peryferyjne, należy użyć uzziemionych i ekranowanych kabli sygnałowych. Gniazdo powinno być w pobliżu urządzenia i łatwo dostępne.

**UWAGA:** W wyniku testowania tego urządzenia stwierdzono, że zgodnie z częścią 15 przepisów FCC spełnia ono warunki ustalone dla urządzeń cyfrowych klasy B. Warunki te zostały ustalone dla zapewnienia wystarczającej ochrony przed szkodliwymi zakłóceniami w urządzeniach domowych. Energia fal radiowych generowanych i emitowanych przez to urządzenie może powodować zakłócenia w komunikacji radiowej, jeżeli nie jest ono zainstalowane i użytkowane zgodnie z instrukcją. Prawidłowość instalacji i użytkowania nie gwarantuje jednak, że zakłócenia nie pojawią się w żadnym odbiorniku. Jeżeli to urządzenie rzeczywiście zakłóca odbiór programów radiowych lub telewizyjnych, co można sprawdzić przez wyłączenie i ponowne włączenie urządzenia, należy wykonać próby eliminacji tych zakłóceń. Pozytywne skutki może przynieść:

- Reorientacja lub zmiana położenia anteny odbiorczej.
- Zwiększenie odległości między sprzętem i odbiornikiem.
- Podłączenie urządzenia do gniazda sieciowego w obwodzie innym niż ten, do którego podłączony jest odbiornik.
- Konsultacja ze sprzedawcą lub doświadczonym technikiem RTV.

**PRZESTROGA:** Dokonanie jakichkolwiek zmian lub modyfikacji bez wyraźnej zgody podmiotu odpowiedzialnego może unieważnić prawo użytkownika do korzystania z tego urządzenia. Nie należy przechowywać urządzenia w skrajnie wysokich lub niskich temperaturach. Należy zapobiegać narażeniu urządzenia na działanie ciepła, skrajnych temperatur i wysokiej wilgotności. Zakres temperatury pracy urządzenia to 0–45°C (32–113°F).

Urządzenie to spełnia warunki ekspozycji na promieniowanie ustalone w przepisach FCC/IC dla środowiska niekontrolowanego.

## Informacje o normach — Kanada — IC ID: 7512A-190506

Urządzenie to spełnia warunki ustalone w normie kanadyjskiej ICES-003 dla urządzeń cyfrowych klasy B.

Urządzenie to spełnia warunki ujęte w dyrektywie RSS 210 kanadyjskiego Ministerstwa Przemysłu i Nauki. Korzystanie z urządzenia podlega następującym dwóm warunkom: (1) działanie urządzenia nie może powodować szkodliwych zakłóceń i (2) urządzenie musi odbierać zakłócenia, łącznie z tymi, które mogą powodować niepożądane działania.

### Oświadczenie dotyczące urządzeń klasy B — Kanada

Urządzenie to nie przekracza wartości granicznych emisji energii fal radiowych ustalonych dla urządzeń cyfrowych klasy B w normie wydziału komunikacji dotyczącej sprzętu powodującego zakłócenia. Tytuł i numer normy: „Urządzenia cyfrowe,” ICES-003.

### CAN ICES-3 (B)/NMB-3(B)

#### Modyfikacje

Dokonanie jakichkolwiek zmian lub modyfikacji bez wyraźnej zgody podmiotu odpowiedzialnego może unieważnić prawo użytkownika do korzystania z tego urządzenia.

## Deklaracja zgodności UE — Europa

Urządzenie to jest zgodne z wymogami ustalonymi w Dyrektywie urządzeń radiowych i końcowych urządzeń telekomunikacyjnych oraz wzajemnego uznawania ich zgodności 1999/5/WE.

Urządzenie to spełnia warunki ustalone w następujących normach:

<b>Bezpieczeństwo</b>	EN 60950-1/A 12:2011
<b>Ochrona zdrowia</b>	EN 62479:2010
<b>Kompatybilność elektromagnetyczna</b>	EN 301489-1 wersja 1.9.2 EN 301489-17 wersja 2.2.1 EN 55022: 2010 EN 55024: 2010
<b>Urządzenia radiowe</b>	EN 300 328 wersja 1.7.1



**Numer modelu z aprobaty:**  
190506 (zielony, czarny, żółty)

**Importer:** Monster, LLC  
**Adres:** 7251 West Lake Mead Blvd.,  
Las Vegas, NV 89128

**Importer:** Monster Technology International, Ltd.  
**Adres:** Ballymaley Business Park,  
Gort Rd., Ennis, Co. Clare, Irlandia

## Zalecenia dotyczące ochrony słuchu

Aby zapobiec uszkodzeniu słuchu, przed podłączeniem słuchawek do odtwarzacza muzycznego należy zawsze sprawdzić, czy ustawiony

SOUND	NOISE LEVEL (dB)	EFFECT
Whisper	30	Very quiet
Quiet Office	50–60	Comfortable hearing levels are under 60 dB
Vacuum Cleaner, Hair Dryer	70	Intrusive; interferes with telephone conversations
Food Blender	85–90	85 dB is the level at which hearing damage (8 hrs.) begins
Garbage Truck, Cement Mixer	100	No more than 15 minutes of unprotected exposure recommended for sounds between 90–100 dB
Power Saw, Drill/Jackhammer	110	Regular exposure to sound over 100 dB of more than 1 minute risks permanent hearing loss
Rock Concerts (varies)	110–140	Threshold of pain begins around 125 dB

Chart information obtained from [www.nidcd.nih.gov/health/education/teachers/pages/common\\_sounds.aspx](http://www.nidcd.nih.gov/health/education/teachers/pages/common_sounds.aspx)

jest niski poziom głośności. Po założeniu słuchawek na uszy lub ich włożeniu do uszu należy stopniowo zwiększać poziom głośności, aż do uzyskania komfortowego poziomu głośności.

Natężenie dźwięku (poziom hałas) jest mierzone w decybelach (dB). Ekspozycja na dźwięki o natężeniu równym 85 dB lub wyższym może powodować stopniową utratę słuchu.

Należy zawsze monitorować czas słuchania. Utrata słuchu jest funkcją poziomu hałasu i czasu. Im wyższy poziom hałasu, tym krótszy dopuszczalny czas ekspozycji. Podobnie im niższy poziom głośności, tym dłuższy dopuszczalny poziom ekspozycji.

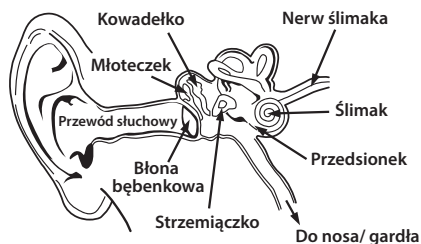
W poniższej tabeli poziomu hałasu (dB) porównano niektóre często występujące dźwięki i przedstawiono ich potencjalny wpływ na słuch.

Urządzenie ma doskonale parametry i zapewnia wysokiej jakości dźwięk przy bezpiecznym poziomie natężenia. Dzięki temu dźwięk jest bardziej pełny i szczegółowy nawet przy bardzo niskim poziomie głośności.

Więcej informacji o ustalaniu bezpiecznego poziomu słuchania i inne ważne zasady bezpieczeństwa opracowane przez stowarzyszenie Consumer Electronics Association można znaleźć w witrynie [www.ce.org](http://www.ce.org). Ważne informacje o zapobieganiu utracie słuchu spowodowanej hałasem i pełną listę hałasów, które mogą powodować uszkodzenia słuchu można znaleźć w witrynie fundacji Deafness Research Foundation pod adresem [www.dr.org](http://www.dr.org).

## Fizjologia ucha i słuchu

Więcej informacji o wpływie głośnych hałasów na ucho i słuch można znaleźć na stronie: [www.abelard.org/hear/hear.php#loud-music](http://www.abelard.org/hear/hear.php#loud-music)



## Właściwe użytkowanie

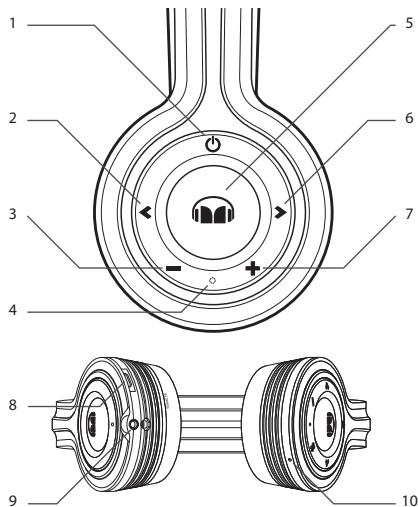
Nie używać słuchawek w sytuacjach, w których mogłyby spowodować zagrożenie, np. podczas kierowania pojazdami, jazdy rowerem, przechodzenia przez ulicę lub w trakcie innych działań, kiedy wymagane jest pełne skupienie uwagi na otoczeniu.

Kierowanie pojazdem z założonymi słuchawkami jest niebezpieczne i w wielu krajach niezgodne z prawem, ponieważ ogranicza możliwości odbioru dźwięków spoza pojazdu, np. klakson innego samochodu i sygnał pojazdu uprzywilejowanego.

Nie należy zakładać słuchawek podczas kierowania pojazdem. Zamiast tego należy użyć jednego z nadajników FM firmy Monster do słuchania muzyki z urządzeń przenośnych.

## Czyszczenie

Przetrzeć nauszники miękką szmatką zwilżoną łagodnym roztworem mydła.



## Najważniejsze funkcje i części

Zestaw słuchawkowy składa się z następujących części:

1. Przycisk wielofunkcyjny (Włączanie/wyłączanie, parowanie, aktywacja wybierania głosowego)
2. Poprzeczny otwór
3. Zmniejszanie głośności
4. Wskaźnik (widoczny tylko, gdy świeci)
5. Przycisk odtwarzania / wstrzymanie odtwarzania (odbieranie/kończenie/odrzućcie połączenia)
6. Następny otwór
7. Zwiększanie głośności
8. Port ładowania
9. Gniazdo 3,5 mm
10. Mikrofon

Przed używaniem zestawu słuchawkowego należy naładować akumulator i sparować zestaw ze zgodnym urządzeniem. Słuchawki Freedom będą działać bez naładowanego akumulatora, jeżeli zostaną podłączone kablem do telefonu lub odtwarzacza muzyki.

## Ładowanie akumulatora

Wraz ze słuchawkami dostarczany jest kabel Micro USB, który można podłączyć do komputera lub innego urządzenia przystosowanego do ładowania przez USB. Końcówkę ze złączem Micro USB dostarczonego kabla USB należy podłączyć do portu ładowania Micro USB znajdującego się w dolnej części lewego nausznika zestawu słuchawkowego. Drugi koniec kabla należy podłączyć do portu USB komputera lub innego urządzenia przystosowanego do ładowania przez USB. Podczas ładowania wskaźnik świeci na czerwono. Po pełnym naładowaniu akumulatora dioda LED zaświeci na zielono. Czas ładowania wyczerpanego akumulatora to w przybliżeniu 1,5 godz. W pełni naładowany akumulator umożliwia rozmowę i/lub słuchanie muzyki przez maks. 10 godz. oraz maks. 100 godzin w trybie gotowości.

**OSTRZEŻENIE:** (1) Utylizując akumulator, należy mieć na względzie ochronę środowiska naturalnego. Akumulator należy poddać recyklingowi lub utylizować zgodnie z przepisami. Produktu tego nie można wyrzucać wraz z odpadami z gospodarstwa domowego.

Należy go utylizować, oddając go do zakładu specjalizującego się w recyklingu zużytego sprzętu elektrycznego i elektronicznego. Zbierając i poddając recyklingowi zużyty sprzęt, użytkownik przyczynia się do ochrony naturalnych zasobów. Taka utylizacja pozwala chronić środowisko naturalne i zdrowie ludzkie. (2) Akumulatora nie należy narażać na działanie wysokich temperatur powodowanych, np. promieniami słonecznymi, ogniem itd. (3) NIE rozbierać ani nie wymieniać akumulatora. W razie podejrzenia usterki akumulatora należy oddać urządzenie do centrum serwisowego.

## Włączanie

Aby włączyć urządzenie, należy nacisnąć przycisk wielofunkcyjny i przytrzymać go przez około dwie sekundy. Zostanie wyemitowana seria coraz wyższych tonów, a następnie zielony wskaźnik zaświeci krótko. Podczas próby nawiązywania połączenia z ostatnio używanym telefonem lub odtwarzaczem muzyki czerwony wskaźnik będzie migać powoli. Kiedy zestaw słuchawkowy jest połączony z urządzeniem i gotowy do użycia, niebieski wskaźnik miga powoli. Jeżeli zestaw słuchawkowy nie został sparowany z urządzeniem, jest automatycznie przełączany w tryb parowania.

## Wyłączanie

Aby wyłączyć urządzenie, należy nacisnąć przycisk wielofunkcyjny i przytrzymać go przez około trzy sekundy. Zostanie wyemitowana seria coraz niższych tonów, a następnie czerwony wskaźnik zaświeci krótko. Jeżeli zestaw słuchawkowy nie zostanie połączony z urządzeniem w ciągu 10 minut, zostanie automatycznie wyłączony.

## Parowanie

1. Upewnić się, że telefon lub odtwarzacz muzyki jest włączony.
2. Aby sparować zestaw słuchawkowy, który nie był wcześniej sparowany z żadnym urządzeniem, należy włączyć zestaw słuchawkowy. Zestaw słuchawkowy zostanie przełączony w tryb parowania i zaczną szybko migać wskaźniki niebieski i czerwony. Aby sparować zestaw słuchawkowy, który był wcześniej sparowany z innym urządzeniem, należy upewnić się, że zestaw słuchawkowy jest wyłączony, nacisnąć przycisk wielofunkcyjny i przytrzymać go przez około pięć sekund, aż zaczną szybko migać wskaźniki niebieski i czerwony.
3. Włączyć funkcję *Bluetooth*® na telefonie lub odtwarzaczu muzyki i rozpocząć wyszukiwanie urządzeń *Bluetooth*.
4. Na telefonie lub odtwarzaczu muzyki z listy znalezionych urządzeń wybrać pozycję „**Freedom**”.
5. W razie potrzeby wprowadzić kod dostępu **0000**, aby sparować i połączyć zestaw słuchawkowy z urządzeniem.

## Regulowanie głośności

Aby wyregulować głośność zestawu słuchawkowego, należy nacisnąć przycisk zwiększania głośności lub zmniejszania głośności w trakcie połączenia lub słuchania muzyki. Głośność można regulować szybko, naciskając jeden z tych przycisków i przytrzymując go.

**OSTRZEŻENIE:** Nadmierne natężenie dźwięku ze słuchawek dousznych lub nasusznych może spowodować utratę słuchu.

## Połączenia

Aby zadzwonić z telefonu połączanego z zestawem słuchawkowym, należy postępować standardowo, jak przy wybieraniu numeru na danym telefonie komórkowym.

Wybieranie głosowe można aktywować (jeżeli telefon obsługuje tę funkcję przy użyciu zestawu słuchawkowego), dwa razy naciskając krótko przycisk wielofunkcyjny. Na telefonie zostanie uruchomiona operacja wybierania głosowego zgodnie z opisem w instrukcji obsługi telefonu.

Aby odebrać połączenie lub zakończyć rozmowę, należy krótko nacisnąć przycisk odtwarzania / wstrzymania odtwarzania. Połączenie

można odrzucić, naciskając przycisk odtwarzania/wstrzymania odtwarzania i przytrzymując go przez około dwie sekundy.

Rozmowę będącą w toku można przełączyć z zestawu słuchawkowego na podłączony telefon, naciskając przycisk odtwarzania / wstrzymania odtwarzania i przytrzymując go przez około dwie sekundy.

Aby przełączyć rozmowę będącą w toku z telefonu na zestaw słuchawkowy, należy nacisnąć przycisk odtwarzania / wstrzymania odtwarzania i przytrzymać go przez około dwie sekundy.

## Rozłączanie słuchawek

Aby rozłączyć zestaw słuchawkowy z urządzeniem, należy wyłączyć zestaw słuchawkowy lub odłączyć go w menu *Bluetooth* urządzenia.

## Ponowne łączenie słuchawek

Aby połączyć zestaw słuchawkowy z ostatnio używanym telefonem lub odtwarzaczem muzyki, należy włączyć zestaw słuchawkowy lub nawiązać połączenie w menu *Bluetooth* urządzenia.

## Słuchanie muzyki

Aby słuchać muzyki, należy połączyć zestaw słuchawkowy ze zgodnym odtwarzaczem muzyki, który obsługuje profil *A2DP Bluetooth*. Dostępne funkcje muzyczne zależą od posiadanego odtwarzacza muzyki.

Odebranie połączenia lub wybranie numeru podczas słuchania muzyki powoduje wstrzymanie odtwarzania muzyki do czasu zakończenia połączenia.

Aby odtworzyć utwór, należy wybrać utwór na odtwarzaczu muzyki i nacisnąć przycisk odtwarzania/wstrzymania odtwarzania na zestawie słuchawkowym *iSport® Freedom*. Odtwarzanie utworu można wstrzymać lub wznowić, naciskając przycisk odtwarzania / wstrzymania odtwarzania.

Aby wybrać następną utwór podczas odtwarzania, należy krótko nacisnąć przycisk przełączania na następną utwór. Natomiast aby wybrać poprzedni utwór, należy krótko nacisnąć (raz lub dwa) przycisk przełączania na poprzedni utwór. Bieżący utwór można przewijać szybko, naciskając jeden z tych przycisków i przytrzymując go.

## Kasowanie ustawień lub resetowanie

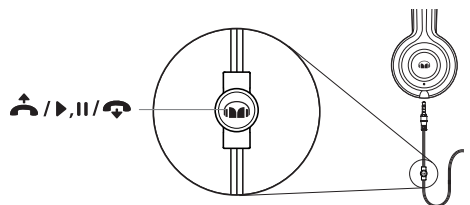
Aby skasować ustawienia parowania z zestawu słuchawkowego, należy wyłączyć zestaw słuchawkowy, a następnie nacisnąć przycisk wielofunkcyjny i przycisk zmniejszania głośności oraz przytrzymać je (przez ponad osiem sekund), aż czerwony i niebieski wskaźnik zaświecą naprzemiennie trzy razy.

Aby zresetować zestaw słuchawkowy, należy podłączyć go do ładowarki oraz nacisnąć równocześnie przycisk wielofunkcyjny i przycisk zwiększania głośności.

## Tryb pasywny

Zestawu *iSport® Freedom* można używać jako słuchawek przewodowych w celu oszczędzania energii akumulatora. Wystarczy podłączyć jeden koniec dostarczonego kabla *ControlTalk Universal™* do gniazda w dolnej części lewego nasuszka, a drugi — do odtwarzacza MP3. Podłączenie kabla audio powoduje wyłączenie komunikacji bezprzewodowej.

## Korzystanie z kabla *ControlTalk Universal™*



Pilot sterowania na kablu ControlTalk Universal™ jest wyposażony w jeden przycisk i wbudowany mikrofon, co umożliwia łatwe przełączenie między słuchaniem muzyki a zestawem głośnomówiącym.

Aby połączyć urządzenie, należy podłączyć koniec kabla słuchawek iSport® Freedom bliższy pilotowi ControlTalk Universal™ do gniazda w dolnej części lewego lub prawego nausznika, a drugi koniec do gniazda stereo 3,5 mm odtwarzcza muzyki.

**Odbieranie połączenia:** Po alertce o przychodzącym połączeniu nacisnąć przycisk sterowania ControlTalk Universal™ i zwołnic go.

**Kończenie połączenia:** W przypadku większości telefonów należy nacisnąć przycisk sterowania i zwołnic go. Natomiast na wybranych telefonach wymagane jest nacisnięcie przycisku i przytrzymanie go.

**Korzystanie z funkcji wstrzymywania połączeń:** Większość (ale nie wszystkie) telefonów działa w sposób następujący: Po alertce o przychodzącym połączeniu w trakcie połączenia nacisnąć przycisk sterowania i zwołnic go, aby odebrać połączenie i jednocześnie wstrzymać pierwsze. Aby ponownie przełączyć na pierwsze połączenie, należy nacisnąć przycisk sterowania i zwołnic go. Nacisnąć przycisk sterowania i przytrzymać go, aby zakończyć bieżące połączenie i przełączyć na połączenie wstrzymane.

**Odtwarzanie lub wstrzymywanie odtwarzania utworu lub wideo:** Nacisnąć przycisk środkowy i zwołnic go. Powtórzyć czynność, aby wznowić odtwarzanie.

Funkcjonalność różni się w zależności od urządzenia. Więcej informacji o funkcjonalności urządzenia można znaleźć na stronie: [MonsterProducts.com/mp3/ctuniversalworks.asp](http://MonsterProducts.com/mp3/ctuniversalworks.asp)

## „Docieranie” słuchawek

Czy jest coś takiego, jak okres docierania słuchawek? Tak, można? Tak powiedział. Podobnie do innych wysokiej klasy produktów, np. samochodów, słuchawki są urządzeniem mechanicznym, które dopasowuje się po pewnym czasie użytkowania. Nowe słuchawki brzmią niesamowicie od razu po zakupie, ale będą brzmiały jeszcze lepiej po użyciu. Zaleca się ich ciągłe używanie przez osiem godzin. Okres „docierania” to 20 godzin używania.

## OGRANICZONA GWARANCJA DLA KLIENTÓW

Firma Monster, LLC, 7251 West Lake Mead Blvd., Las Vegas, NV 89128, USA. **[NIE WYSTYLAC ZWROTÓW PRODUKTÓW NA TEN ADRES – NALEŻY POSTĘPOWAĆ ZGODNIE Z INSTRUKCJAMI PRZEDSTAWIONYMI W PONIŻSZEJ CZĘŚCI „JAK ZŁOŻIĆ REKLAMACJĘ Z TYTUŁU GWARANCJI?”]** (415) 840-2000 („Monster”) udziela tej Ograniczonej Gwarancji. Przepisy ustaw lub prawo zwyczajowe mogą dawać Użytkownikowi dodatkowe prawa lub środki, które są ograniczane przez tę Ograniczoną Gwarancję.

### DEFINICJE

„**Właścive użycie**” oznacza osobiste użytkowanie Produktu (i) do celów prywatnych (z odwołaniem do celów komercyjnyh) (ii) zgodnie z obowiązującym prawem, kodeksami lub przepisami (w tym bez ograniczeń z prawem budowlanym i/lub prawem elektrycznym), (iii) zgodnie z zaleceniami producenta i/lub instrukcjami zawartymi w materiałach i dokumentacji dostarczonej z Produktem oraz (iv) przy zastosowaniu odpowiedniego uzamienienia ochronnego, jeżeli dotyczy.

„**Autoryzowany sprzedawca**” oznacza dowolnego dystrybutora, pośrednika lub sprzedawcę, który (i) jest należycie upoważniony do prowadzenia działalności i ma zezwolenie na sprzedaż Użytkownikowi Produktu na mocy prawa obowiązującego w miejscu zakupu Produktu, (ii) zakupił Produkt bezpośrednio od firmy Monster lub podmiotu powiązanego umowie z firmą Monster oraz w zgodzie z postanowieniami takiej umowy oraz (iii) sprzedał Użytkownikowi Produkt nowo i w oryginalnym opakowaniu.

„**Formalna reklamacja z tytułu gwarancji**” oznacza reklamację złożoną zgodnie z warunkami ustalonymi w części „Formalna reklamacja z tytułu gwarancji”.

„**Produkt**” oznacza Produkt (i) wymieniony w poniższych danych technicznych, (ii) kupiony przez Użytkownika od Autoryzowanego sprzedawcy jako nowy i w oryginalnym opakowaniu oraz (iii) którego numer seryjny, jeżeli jest na Produkcie, nie został usunięty, zmieniiony ani zamazany.

„**Wada produktu lub „Wadliwy produkt**” oznacza usterkę Produktu istniejącą w momencie odbioru Produktu od Autoryzowanego sprzedawcy, która uniemożliwia działanie Produktu zgodnie z dokumentacją firmy Monster dostarczoną z produktem, tym że usterka ta została spowodowana w całości lub w części przez (a) dowolne użycie inne niż Właścive użycie (b) transport, zaniedbanie, niewłaścive użycie lub nadużycie przez osobę inną niż pracownik firmy Monster; (c) zmianę, manipulację lub modyfikację Produktu przez osobę inną niż pracownik firmy Monster; (d) wypadek (inny niż wadliwe działanie, które w przeciwnym razie byłoby uznane za Wadę produktu); (e) konserwację lub serwis Produktu przez osobę inną niż pracownik firmy Monster; (f) narazenie Produktu na działanie ciepła, jasnego światła, promieni słonecznych, cieczy, piasku lub innych zanieczyszczeń; lub (g) działań będących poza kontrolą firmy Monster, w tym, lecz nie wyłącznie si wyższych, pożarów, burz, trzęsień ziemi lub powodzi.

„**Okres gwarancji**” oznacza okres, w trakcie którego firma Monster musi otrzymać Formalną reklamację z tytułu gwarancji. Różne Okresy gwarancji związane z Wadami produktu zdefiniowano w poniższych danych technicznych. Bieg Okresu gwarancyjnego zaczyna się w dniu zakupu lub odbioru (zależnie od tego, który wystąpi później) Produktu od Autoryzowanego sprzedawcy zgodnie z dokumentem, takim jak faktura, paragon lub list przewozowy, wystawionym przez Autoryzowanego sprzedawcę. Jeżeli Użytkownik

nie ma dowodu z datą zakupu lub odbioru, wtedy bieg Okresu gwarancyjnego zaczyna się trzy (3) dni po wydaniu Produktu przez firmę Monster lub opuszczeniu fabryki zgodnie z danymi w aktach firmy Monster. Okres gwarancji kończy się po upływie okresu zdefiniowanego w danych technicznych lub po przetranszowaniu Produktu, w zależności od tego która z nich będzie wcześniejsza. Ponadto należy zaznaczyć do firmy Monster i uzyskać numer upoważnienia do zwrotu (RAN – Return Authorization Number) (jak opisano w części „Jak zgłosić reklamację z tytułu gwarancji?” w ciągu dwóch (2) miesięcy od stwierdzenia Wady produktu (lub prawdopodobnego stwierdzenia, jeżeli ta Wada produktu była oczywista).

„**Użytkownik**” oznacza pierwszą osobę fizyczną, która kupiła Produkt w oryginalnym opakowaniu od Autoryzowanego sprzedawcy. Ograniczona gwarancja nie dotyczy osób ani podmiotów, które kupiły Produkt (i) używany lub rozpakowany, (ii) w celu odosprzedaży, najmu lub innego komercyjnego użycia lub (iii) od innej osoby niż Autoryzowany sprzedawca.

### ZAKRES OGRANICZONEJ GWARANCJI

**PRODUKTY:** Jeżeli Produkt miał Wadę produktu w momencie zakupu przez Użytkownika od Autoryzowanego sprzedawcy i firma Monster otrzyma od Użytkownika Formalną reklamację z tytułu gwarancji (i) w ciągu dwóch (2) miesięcy od stwierdzenia Wady produktu (lub prawdopodobnego stwierdzenia, jeżeli ta Wada produktu była oczywista) i (ii) przed upływem Okresu gwarancyjnego dotyczącego Wadliwego produktu, firma Monster umożliwi Użytkownikowi skorzystanie z jednego z następujących środków: Firma Monster (i) naprawi lub, wedle wyłączonego uznania, wymieni Wadliwy produkt lub (2) zwolni Użytkownika środki w wysokości ceny zakupu zapłaconej firmie Monster lub Autoryzowanemu sprzedawcy za Wadliwy produkt, jeżeli naprawa lub wymiana są niemożliwe lub nie można ich wykonać w odpowiednim czasie. UWAGA: W PEŁNYM ZAKRESIE DOZWOLOWYM PRZEZ OBOWIĄZUJĄCE PRAWO FIRMA MONSTER NIE PONOSI ODPOWIEDZIALNOŚCI ZA ZADNE SZKODY UBOCZNE, WYNIKOWE LUB POŚREDNIE OBJĘTE TĄ OGRANICZONĄ GWARANCJĄ.

### POSTANOWIENIA OGÓLNE

**WYBÓR SYSTEMU PRAWNEGO/JURYSDYKCJA:** Ograniczona gwarancja i wszelkie spory wynikające z Ograniczonej gwarancji lub powiązane z nią („Spory”) powinny być rozstrzygane według prawa jurysdykcji, w której Użytkownik zakupił Produkt.

**INNE PRAWA:** OGRANICZONA GWARANCJA DLA UŻYTKOWNIKÓW SPECJALNE PRAWA, A UŻYTKOWNIK MOŻE MIEĆ RÓWNIŻ INNE PRAWA RÓŻNIĄCE SIĘ W ZALEŻNOŚCI OD JURYSDYKCJI, I KTORE NIE POWINNY BYĆ OGRANICZANE PRZEZ TĘ OGRANICZONĄ GWARANCJĘ. GWARANCJA JEST WASTNA TYLKO W ODNIESIENIU DO UŻYTKOWNIKA I NIE MOŻNA JEJ PRZENOŚCIĆ ANI PRZEKAZYWAĆ. Jeżeli jakiegokolwiek postanowienia tej Ograniczonej gwarancji są niezgodne z prawem, nieważne lub nieegzekwowlalne, postanowienia te powinny być uznane za rozdzielne i nie powinny wpływać na ważność pozostałych postanowień. W przypadku jakiegokolwiek niespójności między wersją w języku angielskim a wersjami w innych językach obowiązuje wersja w języku angielskim.

**REJESTRACJA:** Zaleca się rejestrację Produktu w witrynie [www.monsterproducts.com](http://www.monsterproducts.com).

Brak rejestracji nie powoduje utraty przez Użytkownika praw z tytułu gwarancji.

### DANE TECHNICZNE

Model produktu	Okres gwarancji użytkowników
Produkt dostarczony z tą gwarancją	Jeden (1) rok w przypadku produktów sprzedawanych w Ameryce Północnej, Ameryce Południowej oraz Azji i Pacyfiku Dwa (2) lata w przypadku produktów sprzedawanych w Europie

### REKLAMACJA Z TYTUŁU GWARANCJI

**JAK ZŁOŻIĆ REKLAMACJĘ Z TYTUŁU GWARANCJI** W przypadku stwierdzenia Wady produktu należy wykonać następujące czynności: (1) Zadzwoń do firmy Monster w ciągu dwóch (2) miesięcy od stwierdzenia Wady produktu (lub prawdopodobnego stwierdzenia, jeżeli ta Wada produktu była oczywista). (2) Podać szczegółowy opis wystąpienia usterki. (3) Użyć numer upoważnienia do zwrotu (RAN – Return Authorization Number). (4) Wysłać Produkt na własny koszt (zostanie zwrocony, jeżeli Użytkownik będzie uprawniony do naprawy Produktu w ramach tej ograniczonej gwarancji) do firmy Monster celem weryfikacji uszkodzenia wraz z kopią paragonu lub dowodu zakupu (faktura lub list przewozowy) dotyczącego tego Produktu, wypełnionym formularzem reklamacyjnym, numerem upoważnienia do zwrotu (RAN) nadrukowanym na zewnętrznej paczce zwrotnej. Instrukcje dotyczące zwrotów są umieszczone w formularzu reklamacyjnym.

**NUMERY TELEFONÓW.** W przypadku zakupu Produktu w Stanach Zjednoczonych (1-877-800-8989), Ameryce Łacińskiej (Meksyk 011-882-800-8989) lub Azji i Pacyfiku (Chiny 400-820-8973) należy wysłać korespondencję na adres: Monster, Inc., 455 Valley Drive, Brisbane, CA 94005 (NIE

**WYSTYLAC ZWROTÓW PRODUKTÓW NA TEN ADRES – NALEŻY POSTĘPOWAĆ ZGODNIE Z INSTRUKCJAMI PRZEDSTAWIONYMI W PONIŻSZEJ CZĘŚCI „JAK ZŁOŻIĆ REKLAMACJĘ Z TYTUŁU GWARANCJI?”]** Jeżeli Produkt został zakupiony w Australii, należy kontaktować się z agentem firmy Monster pod adresem: Convey International Pty Ltd. (02 9700 0111), Unit 7, 1801 Botany Rd, Banksmeadow, NSW 2019 Australia. W przypadku zakupu Produktu w innym regionie należy wysłać korespondencję na adres: Monster Cable International Ltd., Ballymore Business Park, Gort Road, Ennis, Co. Clare, Irlandia. Można zdzwonić pod jeden z wskazanych poniżej numerów telefonicznych: Kanada 866-348-4171, Irlandia 353-204-8848, USA 800-2289182, Belgia 800-79201, Chiny 800-142471, China 8008-2128, Finlandia 800-112768, Francja 0800-918201, Niemcy 800-1819388, Grecja 00800-353-12008, Włochy 800-871-479, Holandia 800-0228919, Norwegia 800-10906, Rosja 810-800-20051353, Hiszpania 900-982-909, Szwecja 020-792650, Szwajcaria 0800834659, Wielka Brytania 0800-0569520.

**DALSZE POSTĘPOWANIE.** Firma Monster sprawdzi, czy Produkt rzeczywiście ma wadę. Firma Monster może, wedle własnego uznania, nakazać Użytkownikowi uzyskanie szacunkowego kosztu naprawy z centrum serwisowego. Po uzyskaniu szacunkowego kosztu naprawy Użytkownik otrzyma instrukcje dotyczące prawidłowego przesyłania firmy Monster szacunkowego kosztu naprawy i faktury celem jej opłacenia. Możliwe jest negocjowanie z firmą Monster opłat za naprawę.

**OKRES REALIZACJI.** Jeżeli Użytkownik dostarczy Formalną reklamację z tytułu gwarancji i zastosuje się do wszystkich postanowień tej Ograniczonej gwarancji, firma Monster dołoży wszelkich starań, aby pozytywnie rozpatrzyć sprawę w ciągu trzydziestu (30) dni od odbioru Formalnej reklamacji z tytułu gwarancji (jeżeli Użytkownik mieszka w Stanach Zjednoczonych – poza nimi okres ten wynosi czterdzieści pięć (45) dni), chyba że przesyłki będące poza kontrolą firmy Monster opóźnią ten proces.

\* Produktu są objęte gwarancjami, których nie można wykluczyć na podstawie australijskiego prawa konsumentów. Użytkownik jest uprawniony do wymiany produktu lub zwrotu kosztów w przypadku poważnej wady lub uszkodzenia wazna za wszelkie inne dające się w dużym stopniu przewidzieć straty lub szkody. Użytkownik jest również uprawniony do naprawy lub wymiany produktów, jeżeli produkt mają niewystarczającą jakość i niezgodność z jest niewystarczającą, aby zaliczyć ją jako poważną wadę.



©2014 Monster, LLC  
Monster Technology International, Ltd

Monster, the Monster logos, iSport, ControlTalk Universal, the product and packaging are trademarks or registered trademarks of Monster, Inc. or its subsidiaries in the United States or other countries. US Patent Pending, RCD 1361919-0001, Exp. 02-18-2038. *Bluetooth* is a registered trademark of Bluetooth SIG, Inc.

Monster, les logos Monster, iSport, ControlTalk Universal, le produit et l'emballage sont des marques commerciales ou des marques déposées de Monster, Inc. ou de ses filiales aux États-Unis ou dans d'autres pays. US Patent Pending, le RCD 1361919-0001, Exp. 18/02/2038. *Bluetooth* est une marque déposée de Bluetooth SIG, Inc.

「Monster」、Monster 로고、iSport、ControlTalk Universal、およびその製品とパッケージはMonster、または米国・他国における同社の子会社が有する商標・登録商標です。iPodはApple Inc.の商標で、米国・他国で登録されています。米国特許出願中、RCD 1361919-0001、有効期限 2038年2月18日。Bluetoothは、Bluetooth SIG, Inc.の登録商標です。

「Monster」、Monster 標誌、iSport、ControlTalk Universal、產品本身及其包裝均為 Monster, Inc. 或子公司在美國或其它國家的商標或註冊商標。iPod 為 Apple Inc. 在美國及其它國家註冊的商標。藍牙字樣與標誌所有權屬於 Bluetooth SIG, Inc.; Monster, LLC 對其字樣與標誌的使用已獲授權。

"Monster," Monster 로고, iSport, ControlTalk Universal, ControlTalk Universal 로고, the RoHS 로고, 제품 및 포장은 미국 또는 다른 국가에서 Monster, Inc. 또는 그 계열사의 상표 또는 등록 상표입니다. 미국 특허 출원 중, RCD 1361919-0001, 만료 02-18-2038. *Bluetooth*는 Bluetooth SIG, Inc.의 등록 상표입니다.

rm 855781 AR4