

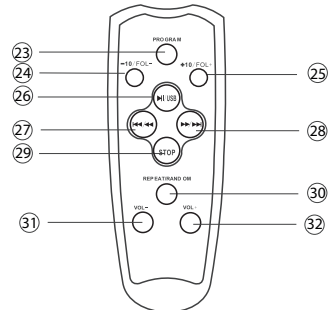
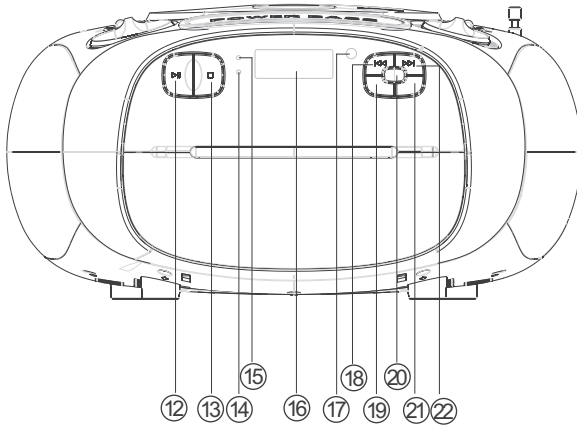
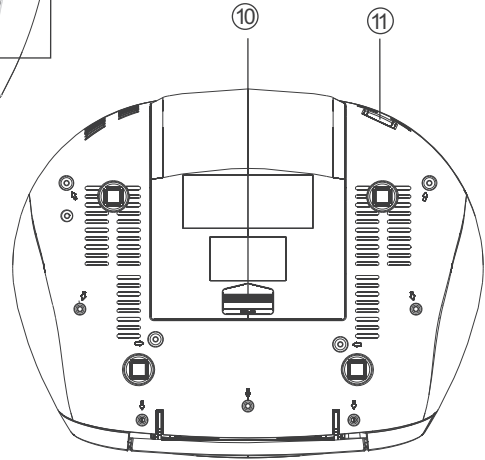
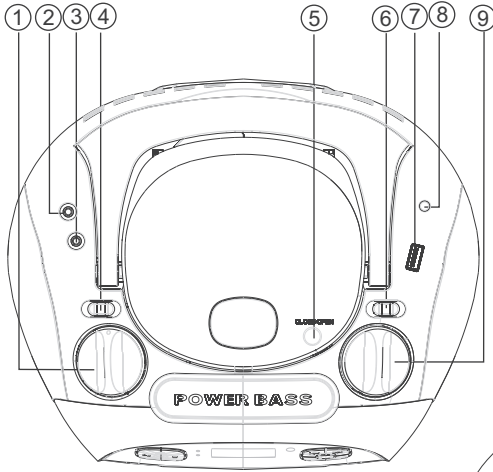
**VT-3466**

CD/MP3 player

Магнитола с CD/MP3

# Инструкция по эксплуатации

<b>GB</b> Manual instruction	<b>3</b>
<b>RUS</b> Инструкция по эксплуатации	<b>10</b>
<b>UA</b> Інструкція з експлуатації	<b>18</b>
<b>KZ</b> Пайдалану нұсқасы	<b>26</b>
<b>UZ</b> Фойдаланиш қоидалари	<b>34</b>





## CD/MP3 RADIO CASSETTE RECORDER

### INSTRUCTION MANUAL

Please, read these instructions carefully before connecting, operating or adjusting the unit. Follow all warnings and operating recommendations in this manual.

Keep this manual for future reference.

	<b>ATTENTION!</b> RISK OF ELECTRIC SHOCK DO NOT OPEN	
<p><b>Warning:</b> To prevent fire or shock hazard do not expose the appliance to rain or moisture. To prevent shock hazard do not remove the cover yourself. Apply to a service centre for repair and maintenance.</p>		

#### DANGEROUS VOLTAGE



This lightning flash with arrowhead symbol, within an equilateral triangle, is intended to alert the user to the presence of uninsulated "dangerous voltage" within the product's enclosure that may be of sufficient magnitude to constitute a risk of electric shock to persons.

#### ATTENTION



The exclamation point within an equilateral triangle is intended to alert the user to the presence of important operating and maintenance (servicing) instructions in the manual accompanying the appliance.

### CLASS 1 LASER PRODUCT

This unit is classified as CLASS 1 LASER PRODUCT. The corresponding mark is situated on the rear panel of the unit and it means that the unit employs a laser beams. Possibility of laser emission is absent if the unit is not being opened. REFER ONLY TO QUALIFIED SERVICE PERSONNEL FOR MAINTENANCE.

### SAFETY MEASURES

#### Connecting to power sources

Check, whether the electricity supply in your electric network corresponds to the operating voltage of the unit.

To prevent fire or shock hazard do not use this unit in places with high humidity (near a bath tub, wash bowl, kitchen sink or laundry tub, near a swimming pool, in a wet basement etc.). Prevent the unit from dripping and splashing. Do not immerse the unit into water.

Do not overload wall outlets or extension cords as this can result in a risk of fire or electric shock.

Place the unit in a way that you could easily pull out the plug from the socket in case of damage. Place the unit on the flat stable surface.

For additional protection during lighting and in cases when you are not going to use the unit for a long time, unplug the unit. It will prevent the unit from failure because of lighting and power surges.

To unplug the unit, take the plug. Do not pull the cord.

In order to avoid electric shock do not remove the cover of the unit yourself. Do not repair and do not modify the unit. Technical maintenance should be performed only by qualified service personnel. Install the unit in places with proper ventilation. Do not cover the ventilation openings.

The product should be situated away from heat sources such as radiators, heat registers, stoves, or other products (including amplifiers) that produce heat. Do not expose the unit to direct sunlight, excessive dust or mechanical shocks.

Be especially careful if children or disabled persons are near the operating appliance.

Do not leave them unattended.

Do not place the unit near sources of open flame such as candles.

Provide that no foreign objects get into openings of the unit; it can lead to fire or electric shock. If it happens unplug the unit and apply to the service centre for the further use of the unit.

Do not listen to too loud music via the earphones. Doctors do not recommend continuous listening to music via the earphones.

#### Damages requiring service

Unplug this unit from the wall outlet and apply to qualified service personnel for repair of the unit in the following situations:

- When the power supply cord or plug is damaged.
- There are foreign objects inside the unit.
- If the unit has been exposed to rain or water.
- If the unit does not operate normally.
- If the unit fell down or its cabinet has been damaged.
- When the unit exhibits a distinct change in performance.

#### Cleaning the unit

Unplug this unit from the wall outlet before clean-

## ENGLISH

ing. Use a damp cloth for cleaning. Do not use liquid cleaners or aerosol cleaners.

### Cleaning discs

Do not use cracked or deformed discs, it can damage the unit.

Hold the disc by the edges. Do not touch the surface.

Dust, scratches or fingerprints on the surface may lead to a failure of the unit.

Protect the disc from direct sunlight; heat sources, high temperature and moisture.

After usage, put the discs in the case for storage.

Wipe the surface of the discs with a soft cloth from the center to the edges periodically.

### Before operation

Unpack the unit. Press the OPEN/CLOSE button and eject the protective insert before using the unit.

Remove all advertising labels and stickers, which prevent the unit from normal operation, from the upper and front parts of the unit.

### DESCRIPTION OF THE UNIT

1. **VOLUME** control handle
2. AUX IN jack for outward device plugging
3. Earphones jack
4. **FUNCTION** (MP3(AUX)/OFF/RADIO) SWITCH
5. OPEN/CLOSE deepening for disk bay opening
6. **BAND** (FM ST. /FM/AM) switch
7. USB – jack
8. FM – antenna
9. **TUNING** frequency knob
10. Battery compartment lid
11. Power jack
12. ► || **PLAY/PAUSE/USB** button
13. **STOP** ■ button
14. FM ST. indicator
15. BASS indicator
16. LCD-display
17. Infrared sensor for remote control
18. ◀ button for switching to the previous track
19. **PROG** button
20. **BASS** button
21. **REP/RAN** button
22. ▶/▶ button for switching to the next track

### Remote control

23. **PROGRAM** button for playback programming

24. **-10/FOL-** button for switching for 10 tracks back or to the previous folder

25. **+10/FOL+** button for switching for 10 tracks forward or to the next folder

26. ► || **PLAY/PAUSE/USB** button

27. ◀◀ button for switching to the previous track and search

28. ▶▶/▶▶ button for switching to the next track and search

29. **STOP** button

30. **REPEAT/RANDOM** button

31. **VOL-** button

32. **VOL+** button

### Note:

*The remote control does not operate in the radio mode.*

### POWER CONNECTION

#### Line supply

Before connecting the unit, make sure that your home electricity supply corresponds to the operating voltage of the unit.

1. To connect the unit, insert one end of the power cord in the jack (11) and the other one – into the socket. Set the **FUNCTION** switch (4) to the AUX (MP3), OFF or RADIO position.
2. To switch off the unit set the **FUNCTION** (4) switch to the OFF position.

### Note:

*Static electricity can lead to interferences in the operation of the unit. In this case disconnect the unit, and then connect it again. If the problem does not disappear, apply to the service center.*

### Battery supply

1. Disconnect the player.
2. Open the battery compartment lid (10), by pressing the clamp following the arrow.
3. Insert 8 “C” (UM 2) 1,5 V batteries (not supplied) into the battery compartment following the polarity.
4. Close the battery compartment lid

**Attention!** Battery leakage can lead to injuries and damages of the unit. To avoid damages of batteries follow the instructions below:

- place the batteries properly.
- take the batteries out if you are not going to use the unit for a long time.
- do not recharge the batteries, do not dis-

mantle them, and do not subject them to high temperature.

- replace the batteries in time.

**Note: When the unit is in the standby mode, it still consumes power, to switch off the unit completely disconnect the power cord from the socket.**

## BASIC FUNCTIONS

### Adjusting volume level

Use the VOLUME knob (1) to adjust the desired volume level.

### Increasing bass

Press the BASS (20) button to amplify low frequency sound, the indicator (15) will light up.

### Radio stations reception

1. Set the **FUNCTION** (4) switch to the RADIO position.
2. Select the desired band: FM ST., FM or AM, by setting the **BAND** (6) switch to the corresponding position.  
When tuning to the station, which transmits stereo signal, the FM ST (14) indicator will light up.
3. Rotate the **TUNING** (9) knob to select the desired radio station.
4. After you stop listening to the radio, set the **FUNCTION** (4) switch to the OFF position.

### Antenna

For the best FM reception, completely extend the FM ANTENNA and direct it at the desired angle.

For the best AM reception try different variants of the unit location.

### Playback of CD discs

Loading – open the CD compartment lid. Insert a CD disc and close the CD compartment lid.

Ejecting – after the playback stops open the CD compartment lid and eject the disc. Put the disc in the case for storage.

Always close the CD compartment lid in order to prevent it from dust. Always eject a disc from the CD compartment if it is not being played back.

1. Plug the unit.
2. Select the CD playback mode. To do it, set the **FUNCTION** (4) switch to the MP3(AUX) position.

3. If there is no disc in the disc slot or if the disc is damaged, the “---” symbols will appear on the LCD-display.
4. Open the disc slot. Insert a disc and close the disc slot. Make sure that the disc is set properly – with the label upwards.
5. Total number of tracks will appear on the LCD-display.

### Note:

**This unit can playback CD-R and CD-RW discs.**

### Playback

In the stop mode, press the **PLAY/PAUSE** button, the disc will start playing back and the number of the track and “PLAY” will appear on the display.

### Pause

To pause the playback, press the **PLAY/PAUSE** button in the playback mode, “Play” will start flashing on the LCD-display.

To resume the playback, press the **PLAY/PAUSE** button once again

### Stop playback

To stop the playback, press the **STOP ■** button. Total number of tracks will appear on the LCD-display.

### Moving to the beginning of the track, to the previous and the next track

1. To move to the beginning of the played back track press the **⏮** button once in the playback mode.
2. To move to the next track, press the **⏭** button once.
3. To move to the previous track, press the **⏮** button twice in the playback mode.
4. If the playback is stopped, then to move to the previous or to the next track, press the **⏮** / **⏭** buttons once.

### Moving to a certain fragment of the track

Press and hold the **⏮** / **⏭** buttons to quickly move to the certain fragment of the track in the forward or backward direction (Sound will not be played back until the **⏮** / **⏭** buttons are pressed).

Press and hold the **-10/FOL-** or **+10/FOL+** button on the remote control to move to the previous/next folder.

## ENGLISH

Use the **⏮/⏭** buttons to select the desired track in the selected folder.

### Repeated playback of a track or a disc

1. To repeat one track press the **REP/RAN** button once, "REP" will appear on the LCD-display.
2. To repeat all tracks on the disc press the **REP/RAN** button twice, "REP ALL" will appear on the LCD-display
3. To repeat the album press the **REP/RAN** button thrice, "REP ALBUM" will appear on the LCD-display

**Note: These functions are active only in the playback or pause mode.**

### Random playback

1. To random playback all tracks on the disc, press the **REP/RAN** button four times in the playback mode, "PLAY RANDOM" will appear on the LCD-display.
2. To cancel random playback of all tracks, press the **REP/RAN** button once again, "PLAY RANDOM" will disappear from the LCD-display.

**Note: These functions are active only in the playback or pause mode.**

### PROGRAMMING OF THE PLAYBACK

You can program playback of tracks in the desired order.

In the CD or MP3-disc playback mode:

1. When the playback of a disc is stopped, press the **PROG** button once. "PROGRAM", track number "P01" will appear on the LCD-display.
2. Select the desired track, consequently pressing the **⏭** or **⏮** buttons.
3. To store the selected track press the **PROG** button. The number of the track will change to "P02".
4. Programming of the next track: select the next track, consequently pressing the **⏭** or **⏮** buttons. Then press the **PROG** button to store the selected track in memory.
5. For playback of the programmed tracks, press the **PLAY/PAUSE** button.
6. To cancel programmed playback mode press the **STOP** button or open the disc slot lid, or set the **FUNCTION** switch to another position.

**Note: You can program up to 99 tracks.**

### Playback of MP3 files from a USB-device

This unit can playback most of MP3 discs but there are cases when the disc is not played back due to the settings of the software used for recording this disc. (For instance, if the finalization of a disc is absent.)

1. Switch on the unit. Set the **FUNCTION** switch to the AUX(MP3) position.
2. Press and hold the **PLAY/PAUSE** button on the unit to move to the USB mode.
3. Insert a USB device into the corresponding jack. The reading will start, and then total number of tracks will appear on the display.
4. If a USB device is not connected to the USB jack, "NOd" will appear on the LCD-display.
5. To exit the USB mode, press and hold the **PLAY/PAUSE** button.
6. To move 10 tracks forward or backward, press and hold the **-10/FOL-** and **+10/FOL+** buttons (to select album press and hold the buttons).
7. Use the **⏭** or **⏮** buttons to select the desired track.
8. Press and hold the **⏮/⏭** buttons for increased speed playback in the forward or backward direction.
9. Press the **PLAY/PAUSE** button to playback the selected track.
10. Press the **PLAY/PAUSE** button to pause playback.
11. To resume playback press the **PLAY/PAUSE** button once again.
12. To stop playback press the **STOP** button.

**Note: This unit does not support playback from HDD discs and some MP3 players.**

### Repeated playback of a track or a folder (album)

1. To repeat one track press the **REP/RAN** button once in the USB mode, the current track will be constantly repeated.
2. To repeat all tracks press the **REP/RAN** button twice, all tracks will be constantly repeated.
3. To repeat one folder press the **REP/RAN** button thrice, all tracks in the folder will be constantly repeated.

**Note: These functions are active only in the playback or pause mode.**

**Random playback**

1. To random playback all tracks on the disc, press the **REP/RAN** button four times in the playback mode, "RANDOM" will appear on the LCD-display.
2. To cancel random playback of all tracks, press the **REP/RAN** button once again, "RANDOM" will disappear from the LCD-display.

**Note: These functions are active only in the playback or pause mode.**

**PROGRAMMING OF THE PLAYBACK**

You can program playback of tracks in the desired order.

1. Switch on the unit. Set the **FUNCTION** switch to the **AUX(MP3)** position.
2. Press and hold the **PLAY/PAUSE/USB** button on the unit to move to the **USB** playback mode.
3. In the stop mode, press the **PROG** button once. "PROGRAM", track number "P01" will appear on the LCD-display.
4. Select the desired track, consequently pressing the **▶▶** or **◀◀** buttons.
5. To move 10 tracks forward or backward press and hold the **-10/FOL-** and **+10/FOL+** buttons (to select album press and hold the buttons).
6. To store the selected track press the **PROG** button. The number of the track will change to "P02".
7. Repeat points 3-6 to program each of the following tracks. You can program up to 99 tracks
8. To playback programmed tracks, press the **PLAY/PAUSE** button.

**Note: To pause programmed playback press the STOP button.**

**To resume programmed playback press the PLAY/PAUSE button.**

**To cancel program mode press the STOP button or open the disc slot lid, eject the USB-device from the corresponding jack, or set the FUNCTION switch (4) to another position.**

**Note: Maximal number of tracks in a folder: 999. Maximal number of folders: 255.**

**Note: This unit does not support playback from HDD discs and some MP3 players. некоторых MP3 плееров.**

**CONNECTING THE EARPHONES**

Jack (3,5mm) (3) is intended to connect the earphones with 16-32 Ohm resistance. Playback from the built-in speakers will switch off automatically when the earphones are connected.

**AUX IN jack**

To connect an external device use the **AUX IN** (2) jack. Connect an external device using the audio cable 3,5 mm Jack - 3,5 mm Jack (not supplied).

**MAINTENANCE AND SAFETY MEASURES****Safety measures and general maintenance**

- Place the unit on the hard stable surface in a way that the unit is not declined.
- Do not subject the unit, the batteries, CD-discs to moisture, rain, sand or extremely high temperature from heaters or direct sunlight.
- Do not cover the unit during its operation. Allow 6 inches (15 cm) of free space between the ventilation openings and the neighbor surfaces for the unit not to heat up.
- Mechanical parts of the unit contain bearings with self lubricating; they do not need lubrication.
- Use soft dry cloth to clean the unit. Do not use cleaners, which contain alcohol, ammonia, petroleum or abrasives, because they can damage the body of the unit.

**CD-player and storage of CD-discs**

- Do not touch the lens of the CD-player!
- At extreme temperatures difference of the environmental air condensation can appear on the lens of the CD-player. It will become impossible to playback a disc. Do not try to clean the lens. Leave the unit in a warm room until the moisture evaporates.
- Always close the CD-slot, to avoid getting of dust into the slot. To clean the disc slot, wipe it with a soft dry cloth.
- To clean a CD-disc, wipe it along the direct line from the center to the edges with a soft lint-free cloth. Do not use cleaners, they can damage the disc.
- Never write on a CD-disc and do not attach any stickers to it.

# ENGLISH

## CLEANING OF THE UNIT

- To avoid fire or electric shock, unplug the unit before cleaning.
- You can clean the surface of the unit using the cloth for dust removal. Be careful when cleaning plastic parts.
- When the columns bodies become dirty, use a soft dry cloth for dust removal. Do not use wax or abrasive polishes to clean columns bodies.
- When the front panel becomes dirty, use a soft cloth, slightly dampened in a weak soap solution. Never use abrasive substances or polishes, they can damage surface of the unit.

**Be careful! Provide that water or other liquids do not get inside the unit during cleaning.**

## TROUBLESHOOTING GUIDE

Improper usage is always the cause of trouble. If you consider that there is something wrong with the unit, check possible causes in this table.

If you have not managed to solve the problem, apply to the nearest authorized service center.

Problem	Possible cause	Solution
<b>Radio</b>		
Noise while listening to radio stations in FM or AM band	The station is not tuned	Tune the station
	FM band: the antenna is not extended	Extend the antenna
	AM band: the unit is out of reception area	Try other location variants
The unit does not playback stations in FM or AM band	The FUNCTION switch is not set o the Radio mode	Set the FUNCTION switch to the radio mode
	Low volume level	Increase volume level
<b>Disc</b>		
Disc is not played back	The FUNCTION switch is not set to AUX(MP3)	Set the FUNCTION switch to AUX(MP3)
	Disc is absent or set improperly	Check the disc, it should be placed with its label down
Some tracks cannot be played back	Disc is scratched or dirty	Wipe the disc with a soft cloth, do not use the damaged discs
Disc is in its place but tracks cannot be played back	Disc is placed improperly	Check the disc, it should be placed with its label down
	Disc is scratched or dirty	Wipe the disc with a soft cloth, do not use the damaged discs
	Improper disc format	Use discs with corresponding format
<b>USB-device</b> is not played backed	USB-playback mode is not selected	Select the USB-playback mode
	USB-device is not inserted into the jack or there are no MP3 files on it	Check whether the USB-device is inserted into the jack and that it contains MP3 files



**Specifications**


Power supply	220 V ~ 50 Hz
Batteries operation	UM2(«C») x 8
Power output	2 x 2,5 W
Speakers	2 x 8 Ohm
Frequency range	AM: 530 – 1600 kHz FM: 64 – 108 MHz
Disk loading	upper

*The manufacturer reserves the right to make changes to the characteristics of the device without prior notice.*

***The service life of the device - five years.***

**Guarantee**

Details regarding guarantee conditions can be obtained from the dealer from whom the appliance was purchased. The bill of sale or receipt must be produced when making any claim under the terms of this guarantee.



 *This product conforms to the EMC-Requirements as laid down by the Council Directive 89/336/EEC and to the Low Voltage Regulation (23/73 EEC)*

## МАГНИТОЛА С CD/MP3

### ИНСТРУКЦИЯ ПО ЭКСПЛУАТАЦИИ

Перед подключением, использованием или настройкой устройства внимательно прочитайте инструкцию. Необходимо соблюдать все предупреждения и рекомендации по эксплуатации устройства, приведенные в настоящей инструкции.

Сохраните настоящую инструкцию и используйте ее в дальнейшем в качестве справочного материала.

	<p><b>Внимание</b> Опасность поражения электрическим током Не открывать</p>	
<p>Предупреждение: Во избежание возникновения пожара или поражения электрическим током не подвергайте устройство воздействию дождя или влаги. Во избежание удара электрическим током не открывайте корпус устройства самостоятельно. Сервисное обслуживание должно осуществляться только квалифицированными специалистами сервисных центров.</p>		



#### Опасное напряжение

Значок молнии в равностороннем треугольнике указывает пользователю на наличие опасного напряжения внутри корпуса устройства, которое может привести к поражению электрическим током.



#### Внимание

Значок восклицательного знака в равностороннем треугольнике указывает пользователю на наличие важных рекомендаций в инструкции по эксплуатации.

### CLASS 1 LASER PRODUCT (Лазерное устройство класса 1)

Данный продукт классифицируется как ЛАЗЕРНОЕ УСТРОЙСТВО КЛАССА 1. Соответствующая этикетка находится на задней панели устройства и означает, что устройство использует лазерные лучи. Если прибор не подвергался вскрытию, опасности лазерного облучения нет.

**ОБСЛУЖИВАНИЕ УСТРОЙСТВА ДОЛЖНО ВЫПОЛНЯТЬСЯ ТОЛЬКО КВАЛИФИЦИРОВАННЫМИ СПЕЦИАЛИСТАМИ СЕРВИСНОГО ЦЕНТРА.**

### МЕРЫ ПРЕДОСТОРОЖНОСТИ

#### Подключение к источникам питания

Проверьте, соответствует ли напряжение в электрической сети рабочему напряжению устройства.

Во избежание возникновения пожара или поражения электрическим током не размещайте данное устройство в условиях повышенной влажности (около ванн, тазов с водой, кухонных раковин, стиральных машин, рядом с плавательным бассейном, в сырых подвалах и т.д.). Не допускайте попадания на устройства капель или брызг. Запрещается погружать устройство в воду.

Не допускайте перегрузки электрических розеток или удлинителей, так как это может привести к пожару или поражению электрическим током.

Настоящее устройство следует устанавливать таким образом, чтобы в случае неисправности вилку сетевого провода можно было немедленно вынуть из розетки. Размещайте устройство на ровной поверхности.

Для дополнительной защиты устройства во время грозы, а также в тех случаях, когда вы не собираетесь использовать его в течение длительного времени, устройство следует отключить от розетки электросети. Это защитит устройство от выхода из строя в случае удара молнии или скачка напряжения в электросети.

Для того, чтобы отсоединить сетевой шнур от электросети, беритесь непосредственно за сетевую вилку, ни в коем случае не тяните за шнур.

Чтобы избежать удара электрическим током, не открывайте корпус устройства самостоятельно. Не ремонтируйте прибор и не вносите в него изменения. Сервисное обслуживание должно осуществляться только квалифицированными специалистами сервисных центров. Устройство следует устанавливать в местах с достаточной вентиляцией. Не закрывайте вентиляционные отверстия.

Не размещайте устройство вблизи источников тепла, например, около радиаторов, электрообогревателей, духовок или других устройств, являющихся источниками тепла (в том числе и усилителей), а также в местах, подверженных воздействию прямых солнечных лучей, чрезмерному запылению или механическим ударам.

Будьте особенно внимательны, если рядом с

включенным прибором находятся лица с ограниченными возможностями или дети, которых нельзя оставлять без присмотра.

Не ставьте на устройство источники открытого пламени, например, свечи..

Не допускайте попадания каких-либо посторонних предметов через отверстия в корпусе устройства, это может повлечь за собой возгорание устройства и поражение электрическим током. Если это произошло, отсоедините устройство от сети и для дальнейшего его использованием обратитесь в сервисный центр.

Не воспроизводите через наушники звук большой громкости. Врачи не рекомендуют длительное непрерывное прослушивание через наушники.

### Повреждения, требующие ремонта

В описанных ниже ситуациях необходимо выключить устройство из розетки и обратиться к квалифицированному персоналу для ремонта устройства:

- Сетевой провод или вилка повреждены.
- В устройство попали посторонние предметы.
- Устройство попало под дождь или на него пролили воду.
- Устройство не работает нормально.
- Устройство упало или было повреждено каким-либо другим образом.
- Появились явные изменения в работе устройства.

### Уход за устройством

Перед началом чистки устройства выключите его из розетки. Для чистки устройства используйте влажную мягкую ткань. Запрещается использовать для этих целей жидкие или аэрозольные чистящие средства

### Уход за дисками

Не следует использовать поврежденные или деформированные диски, так как это может вызвать поломку устройства.

Берите диск только за боковые кромки.. Не прикасайтесь к рабочей поверхности диска. Пыль, царапины или отпечатки пальцев на рабочей поверхности диска могут привести к выходу его из строя.

Не подвергайте диски воздействию прямых солнечных лучей, источников тепла, высокой температуры и влажности.

После использования уберите диск в футляр для хранения. Периодически протирайте рабочую поверхность диска мягкой тканью от центра к краям.

### Перед началом работы

Извлеките устройство из упаковки. Нажмите кнопку OPEN/CLOSE и извлеките защитный вкладыш перед началом использования.

С верхней и передней части устройства удалите все рекламные этикетки и наклейки, которые мешают работе магнитолы.

### ОПИСАНИЕ ПРИБОРА

1. Ручка регулировки уровня громкости **VOLUME**
  2. Вход AUX IN для подключения внешнего устройства
  3. Гнездо для подключения наушников
  4. Переключатель режимов работы устройства **FUNCTION** (MP3(AUX)/OFF/RADIO)
  5. Углубление для открытия дискового отсека OPEN/CLOSE
  6. Переключатель диапазонов **BAND** (FM ST./FM/AM)
  7. USB-вход
  8. FM-антенна
  9. Ручка настройки радиостанций **TUNING**
  10. Крышка батарейного отсека
  11. Гнездо для подключения к электросети
  12. Кнопка воспроизведения/приостановки **▶ ||** воспроизведения **PLAY/PAUSE/USB** и перехода в режим USB
  13. Кнопка остановки воспроизведения **STOP ■**
  14. Индикатор работы стереорежима FM ST.
  15. Индикатор BASS
  16. ЖК-дисплей
  17. Инфракрасный приемник (ИК-приемник) сигналов пульта дистанционного управления
  18. Кнопка перехода к предыдущему треку **⏮**
  19. Кнопка программирования воспроизведения **PROG**
  20. Кнопка **BASS**
  21. Кнопка **REP/RAN**
  22. Кнопка перехода к следующему треку **⏭**
- Пульт дистанционного управления**
23. Кнопка программирования воспроизведения **PROGRAM**
  24. Кнопка перехода на 10 треков назад или в предыдущую папку - **10/FOL-**

25. Кнопка перехода на 10 треков вперед или в следующую папку + **10/FOL+**
26. Кнопка воспроизведения/приостановки ► **II** воспроизведения **PLAY/PAUSE** и перехода в режим **USB**
27. Кнопка перехода к предыдущему треку и поиска ◀/◀◀
28. Кнопка перехода к следующему треку и поиска ▶▶/▶
29. Кнопка остановки воспроизведения **STOP**
30. Кнопка **REPEAT/RANDOM** (Повторное воспроизведение / Воспроизведение в произвольном порядке)
31. Кнопка уменьшения громкости **VOL-**
32. Кнопка увеличения громкости **VOL+**

***Примечание:** Пульт ДУ не работает в режиме радио.*

## ПОДКЛЮЧЕНИЕ ПИТАНИЯ

### Питание от сети

Перед подключением устройства к сети убедитесь, что напряжение в электрической сети соответствует рабочему напряжению устройства.

1. Для подключения устройства к сети вставьте один конец сетевого шнура в гнездо (11), а другой – в розетку электросети. Установите переключатель **FUNCTION** (4) в положение AUX (MP3), OFF или RADIO.
2. Для выключения устройства установите переключатель **FUNCTION** (4) в положение OFF.

***Примечание:** Статическое электричество может привести к помехам в работе устройства. В этом случае отключите устройство от источников питания, а затем подключите снова. Если проблема не решится, обратитесь в ближайший сервисный центр.*

### Питание от батареек

1. Отключите устройство от сети.
2. Откройте крышку батарейного отсека (10) на дне магнитолы, нажав на защелку в направлении, указанном стрелкой.
3. Соблюдая полярность, установите 8 батареек «С» (UM 2) 1,5 В (не входят в комплект поставки) в батарейный отсек.
4. Закройте крышку батарейного отсека.

**Внимание!** Протечка батареек может стать

причиной травм или повреждения устройства. Чтобы избежать повреждения батареек, следуйте приведенным ниже инструкциям:

- устанавливайте батарейки правильно;
- вынимайте батарейки, если устройство не будет использоваться в течение длительного времени;
- не перезаряжайте батарейки, не разбирайте их, не подвергайте их воздействию высокой температуры;
- своевременно меняйте батарейки.

***Примечание:** Когда устройство находится в режиме ожидания, оно все еще потребляет энергию, чтобы полностью отключить устройство, необходимо вынуть вилку сетевого шнура из розетки.*

## ОСНОВНЫЕ ФУНКЦИИ

### Регулировка уровня громкости

Для установки желаемого уровня громкости используйте ручку регулировки громкости (1).

### Усиление низких частот

Нажмите один раз кнопку **BASS** (20), чтобы усилить звучание низких частот, при этом загорится индикатор (15).

### Прием радиостанций

1. Установите переключатель **FUNCTION** (4) в положение RADIO.
2. Выберите желаемый диапазон: FM ST., FM или AM, установив переключатель диапазонов **BAND** (6) в соответствующее положение.  
При настройке на станцию, передающую стереосигнал, загорается индикатор FM ST (14).
3. Вращая ручку настройки радиостанций **TUNING** (9), выберите желаемую радиостанцию.
4. По окончании прослушивания установите переключатель **FUNCTION** (4) в положение OFF.

### Антенна

Для наилучшего приема в диапазоне FM выдвиньте полностью антенну и сориентируйте ее под нужным углом.

Для наилучшего приема в диапазоне AM попробуйте различные варианты размещения устройства.

### Воспроизведение CD дисков

Загрузка – Откройте дисковый отсек. Установите CD диск и закройте крышку отсека.

Извлечение – После остановки воспроизведения откройте крышку дискового отсека и извлеките диск. Уберите диск в футляр.

Всегда закрывайте крышку дискового отсека для предотвращения попадания в него пыли. Всегда извлекайте диск из дискового отсека, если диск не воспроизводится.

1. Подключите магнитола к электросети.
2. Выберите режим воспроизведения CD дисков. Для этого установите переключатель **FUNCTION** (4) в положение **MP3(AUX)**.
3. При отсутствии диска в дисковом отсеке или при попытке использовать поврежденный диск на ЖК-дисплее отобразятся символы «---».
4. Откройте дисковый отсек. Установите диск и закройте крышку отсека. Убедитесь, что диск установлен правильно - этикеткой вверх.
5. На ЖК-дисплее отобразится общее число треков.

#### Примечание:

*Данное устройство может воспроизводить CD-R и CD-RW диски.*

### Воспроизведение

В режиме остановки воспроизведения нажмите кнопку **PLAY/PAUSE**, начнется воспроизведение диска, на дисплее отобразится номер воспроизводимого трека и надпись «PLAY».

### Пауза

Для приостановки воспроизведения нажмите кнопку **PLAY/PAUSE** в режиме воспроизведения, надпись «PLAY» будет мигать на ЖК-дисплее.

Для возобновления воспроизведения нажмите повторно кнопку **PLAY/PAUSE**.

### Остановка воспроизведения

Для остановки воспроизведения нажмите кнопку **STOP** ■. На ЖК-дисплее отобразится общее число треков.

### Переход к началу трека, предыдущему и следующему треку

1. Для перехода к началу воспроизводимого

трека нажмите в режиме воспроизведения один раз кнопку **⏮**.

2. Для перехода к следующему треку нажмите один раз кнопку **⏭**.
3. Для перехода к предыдущему треку нажмите в режиме воспроизведения два раза кнопку **⏮**.
4. Если воспроизведение остановлено, то для перехода к предыдущему/ следующему треку нажимайте кнопки **⏮/⏭** один раз.

### Переход к определенному фрагменту трека

Нажмите и удерживайте кнопки **⏮/⏭** для ускоренного перехода к определенному фрагменту трека в прямом или обратном направлении (Звук не будет воспроизводиться до тех пор, пока нажаты кнопки **⏮/⏭**).

Нажмите и удерживайте кнопку **-10/FOL-** или **+10/FOL+** на пульте ДУ для перехода к предыдущей/следующей папке.

Для выбора необходимого трека в выбранной вами папке воспользуйтесь кнопками **⏮/⏭**.

### Повтор воспроизведения трека или диска

1. Для повтора одного трека нажмите один раз кнопку **REP/RAN**, на ЖК-дисплее отобразятся символы «REP».
2. Для повтора всех треков на диске нажмите два раза кнопку **REP/RAN**, на ЖК-дисплее отобразятся символы «REP ALL».
3. Для повтора альбома нажмите три раза кнопку **REP/RAN**, на ЖК-дисплее отобразятся символы «REP ALBUM».

*Примечание: Данные функции активны только в режиме воспроизведения или паузы.*

### Воспроизведение в произвольном порядке

1. Для воспроизведения всех треков на диске в произвольном порядке нажмите четыре раза кнопку **REP/RAN** в режиме воспроизведения, на ЖК-дисплее появятся символы «PLAY RANDOM».
2. Для отмены воспроизведения в произвольном порядке нажмите еще раз кнопку **REP/RAN**, символы «PLAY RANDOM» исчезнут.

*Примечание: Данные функции активны только в режиме воспроизведения или паузы.*

## ПРОГРАММИРОВАНИЕ ВОСПРОИЗВЕДЕНИЯ

Вы можете запрограммировать воспроизведение треков в желаемом порядке.

В режиме воспроизведения CD или MP3-диска:

1. Когда воспроизведение диска остановлено, нажмите один раз кнопку **PROG**. На ЖК-дисплее появятся символы программирования «PROGRAM», номер трека при программировании «P01».
2. Выберите желаемый трек, последовательно нажимая кнопки **▶▶** или **◀◀**.
3. Для сохранения выбранного трека нажмите кнопку **PROG**. Номер трека при программировании изменится на «P02».
4. Программирование следующего трека: выберите следующий трек, последовательно нажимая кнопки **▶▶** или **◀◀**. Затем нажмите кнопку **PROG** для сохранения выбранного трека в памяти.
5. Для воспроизведения запрограммированных треков нажмите кнопку **PLAY/PAUSE**.
6. Для отмены запрограммированного воспроизведения нажмите кнопку **STOP** либо откройте крышку дискового отсека, или же установите переключатель **FUNCTION** в другое положение.

### Примечание:

Вы можете запрограммировать до 99 треков.

## Воспроизведение MP3 файлов с USB носителя

Данное устройство может воспроизводить большинство файлов, записанных в формате MP3, но бывают случаи, когда файл не воспроизводится из-за настроек программного обеспечения, которое использовалось при записи диска (например, из-за отсутствия финализации диска).

1. Включите магнитолау. Установите переключатель **FUNCTION** в положение AUX(MP3).
2. Нажмите и удерживайте кнопку **PLAY/PAUSE** на магнитоле для перехода в режим USB.
3. Вставьте USB устройство в соответствующий разъем. Начнется чтение носителя, затем на дисплее отобразится общее число треков.
4. Если к USB разъему не подключено USB

устройство, на ЖК-дисплее отобразятся символы «NOd»

5. Чтобы выйти из USB режима, так же нажмите и удерживайте кнопку **PLAY/PAUSE**.
6. Для перехода на 10 треков назад/вперед нажимайте кнопки **-10/FOL-** и **+10/FOL+** (для выбора альбома нажмите и удерживайте кнопки).
7. При помощи кнопок **▶▶** или **◀◀** выберите желаемый трек.
8. Нажмите и удерживайте кнопки **◀/▶▶** для ускоренного воспроизведения в прямом или обратном направлении
9. Для воспроизведения выбранного трека нажмите кнопку **PLAY/PAUSE**
10. Для приостановки воспроизведения нажмите кнопку **PLAY/PAUSE**
11. Для возобновления воспроизведения нажмите повторно кнопку **PLAY/PAUSE**
12. Для остановки воспроизведения нажмите кнопку **STOP**.

*Примечание: Данное устройство не поддерживает воспроизведение с HDD дисков и некоторых MP3 плееров.*

## Повтор воспроизведения трека или папки (альбома)

1. Для повтора одного трека нажмите один раз кнопку **REP/RAN** в режиме воспроизведения USB, текущий трек будет постоянно повторяться.
2. Для повтора всех треков нажмите два раз кнопку **REP/RAN**, все треки будут постоянно повторяться.
3. Для повтора одной папки нажмите три раз кнопку **REP/RAN**, все треки в папке будут постоянно повторяться.

*Примечание: Данные функции активны только в режиме воспроизведения или паузы.*

## Воспроизведение в произвольном порядке

1. Для воспроизведения в произвольном порядке, нажмите четыре раза кнопку **REP/RAN**. На ЖК-дисплее отобразятся символы «RANDOM».
2. Для отмены воспроизведения в произвольном порядке нажмите еще раз кнопку **REP/RAN**. Символ «RANDOM» исчезнет.

**Примечание:** Данные функции активны только в режиме воспроизведения или паузы.

### Программирование воспроизведения

Вы можете запрограммировать воспроизведение треков в желаемом порядке.

1. Установите переключатель **FUNCTION** (4) в положение AUX(MP3).
2. Нажмите и удерживайте кнопку **PLAY/PAUSE/USB** на магнитоле для перехода в режим воспроизведения USB устройств.
3. В режиме остановки воспроизведения нажмите один раз кнопку **PROG**. На ЖК-дисплее будут символы программирования «PROGRAM», номер трека при программировании «P01»
4. Выберите трек, последовательно нажимая кнопки **▶▶** или **◀◀**.
5. Для перехода на 10 треков назад/вперед нажимайте кнопки **-10/FOL-** и **+10/FOL+** (для выбора альбома нажмите и удерживайте кнопки).
6. Для сохранения выбранного трека нажмите кнопку **PROG**. Номер трека при программировании изменится на «P02».
7. Повторите пункты 3-6 для программирования каждого следующего трека. Вы можете запрограммировать максимум 99 треков
8. Для воспроизведения запрограммированных треков нажмите кнопку **PLAY/PAUSE**.

**Примечание:** Для приостановки запрограммированного воспроизведения нажмите кнопку **STOP**. Для возобновления запрограммированного воспроизведения нажмите кнопку **PLAY/PAUSE**.

Для отмены запрограммированного воспроизведения нажмите кнопку **STOP** ещё раз, или откройте крышку дискового отсека, извлеките USB-устройство из соответствующего разъема, или же установите переключатель **FUNCTION** (4) в другое положение.

**Примечание:** Максимальное число треков в папке: 999. Максимальное число папок: 255.

**Примечание:** Данное устройство не поддерживает воспроизведение с HDD дисков и некоторых MP3 плееров.

### ПОДКЛЮЧЕНИЕ НАУШНИКОВ

Гнездо (3,5мм) (3) предназначено для подключения наушников с сопротивлением 16-32 Ом.

Воспроизведение из встроенных динамиков автоматически прекращается при подключении наушников.

### Гнездо AUX IN

Для подключения внешнего устройства используйте гнездо AUX IN (2). Подключите внешнее устройство при помощи аудиокабеля 3,5 mm Jack - 3,5 mm Jack (не входит в комплект поставки).

### ОБСЛУЖИВАНИЕ И ПРАВИЛА БЕЗОПАСНОСТИ

#### Меры предосторожности и общее обслуживание

- Установите устройство на ровную твердую поверхность, чтобы оно не было наклонено.
- Не подвергайте устройство, элементы питания или CD-диски воздействию влаги, дождя, песка или слишком высокой температуры от обогревателей или из-за попадания прямого солнечного света.
- Не накрывайте устройство во время его работы. Чтобы устройство не перегревалось, между вентиляционными отверстиями и соседними поверхностями должно быть свободное пространство не менее 6 дюймов (15 см).
- Механические части устройства содержат подшипники с автоматической смазкой; их не надо смазывать.
- Для очистки устройства используйте мягкую сухую ткань. Не используйте очищающие средства, содержащие спирт, аммиак, бензин или абразивные частицы, т.к. они могут повредить корпус устройства.

#### CD-проигрыватель и хранение CD-дисков

- Не касайтесь линзы CD-проигрывателя!
- При резком перепаде температуры окружающего воздуха на линзе CD-проигрывателя может образоваться конденсат. Воспроизведение диска при этом станет невозможным. Не пытайтесь очистить линзу. Оставьте устройство в теплом помещении, пока влага не испарится.
- Всегда закрывайте дисковый отсек, чтобы туда не попадала пыль. Чтобы очистить

## РУССКИЙ

дисковый отсек, протрите его мягкой сухой тканью.

- Чтобы очистить CD-диск, протрите его по прямой линии от центра к краю мягкой тканью без ворса. Не используйте чистящие средства, т.к. они могут повредить диск.
- Никогда не пишите на CD-диске и не приклеивайте к нему никаких наклеек.

### ЧИСТКА УСТРОЙСТВА

- Чтобы предотвратить возгорание или поражение электрическим током, отключите устройство от сети перед началом чистки устройства.
- Поверхность устройства можно чистить с помощью тряпки для уборки пыли.

Будьте осторожны при протирании и чистке пластиковых частей.

- При загрязнении корпусов колонок пользуйтесь мягкой сухой тряпкой для уборки пыли. Не используйте воск или аэрозольные полироли для очистки корпусов колонок.
- При загрязнении передней панели пользуйтесь мягкой тканью слегка увлажненной в слабом мыльном растворе. Ни в коем случае не используйте абразивные вещества и полироли, так как они повредят поверхность устройства.

*Осторожно! Не допускайте попадания воды или иных жидкостей внутрь устройства во время чистки.*

### ПОИСК И УСТРАНЕНИЕ НЕИСПРАВНОСТЕЙ

Причиной неисправностей или помех часто является неправильное использование устройства. Если вы читаете, что с устройством что-то не в порядке, проверьте возможные причины неисправности по данной таблице.

Если вам не удалось устранить неисправность, обратитесь в ближайший авторизованный (уполномоченный) сервисный центр.

Неисправность	Возможная причина	Устранение
<b>Радио</b>		
Шум при прослушивании радиостанций в диапазоне FM или AM	Станция не настроена	Настройте станцию
	FM диапазон: антенна не выдвинута	Выдвиньте антенну
	AM диапазон: устройство размещено вне зоны приема	Попробуйте другие варианты размещения
Магнитола не воспроизводит радиостанции в диапазоне FM или AM	Переключатель FUNCTION не установлен в положение RADIO	Установите переключатель FUNCTION в положение RADIO
	Низкий уровень громкости	Увеличьте уровень громкости
<b>Диск</b>		
Диск не воспроизводится	Переключатель FUNCTION не установлен в положение AUX(MP3)	Установите переключатель FUNCTION в положение AUX(MP3)
	Диск отсутствует или установлен неправильно	Проверьте правильность установки диска, он должен быть установлен этикеткой вверх
Отдельные треки не воспроизводятся	Диск с царапинами или загрязнен	Протрите диск мягкой тканью, не используйте поврежденные диски



Диск установлен, но треки не воспроизводятся	Диск установлен неправильно	Проверьте правильность установки диска, он должен быть установлен этикеткой вверх
	Диск с царапинами или загрязнен	Протрите диск мягкой тканью, не используйте поврежденные диски
	Несоответствующий формат диска	Используйте диски надлежащего формата
<b>USB-устройство</b> не воспроизводится	Не выбран режим воспроизведения с USB-устройства	Выберите режим воспроизведения с USB-устройства
	USB-устройство не вставлено в разъем или на нем нет MP3 файлов	Проверьте, вставлено ли USB-устройство и убедитесь, что оно содержит MP3 файлы

**Технические характеристики**

Питание	220 В ~ 50 Гц
Работа от элементов питания	UM 2(«С») x 8
Выходная мощность	2 x 2,5 Вт
Динамики	2 x 8 Ом
Диапазон частот	AM: 530 – 1600 кГц FM: 64 – 108 МГц
Загрузка диска	Верхняя

*Производитель оставляет за собой право изменять характеристики прибора без предварительного уведомления.*

**Срок службы прибора - 5 лет.**



*Данное изделие соответствует всем требуемым европейским и российским стандартам безопасности и гигиены.*

АНДЕР ПРОДАКТС ГмбХ, Австрия  
Нойбаугюртель, 38/7А 1070, Вена, Австрия

## МАГНІТОЛА З CD/MP3

### ІНСТРУКЦІЯ З ЕКСПЛУАТАЦІЇ

Перед підключенням, використанням та налаштуванням пристрою уважно прочитайте інструкцію. Необхідно дотримуватися всіх попереджень і рекомендацій з експлуатації пристрою, наведених в цьому посібнику. Збережіть посібник, використовуйте його в подальшому в якості довідкового матеріалу.

	<b>Увага</b> Небезпека поразки електричним струмом Не відкривати	
Застереження: Щоб запобігти виникненню пожежі або ураженню електричним струмом, не допускайте на пристрій впливу дощу чи вологи. Щоб уникнути удару електричним струмом, не відкривайте корпус пристрою самостійно. Сервісне обслуговування має виконуватися лише кваліфікованими спеціалістами сервісних центрів.		

#### Небезпечна напруга



Знак блискавки в рівносторонньому трикутнику вказує користувачеві на наявність небезпечної напруги всередині корпусу пристрою, яка може стати причиною ураження електричним струмом.



#### Увага

Окличний знак в рівносторонньому трикутнику вказує користувачеві на наявність важливих рекомендацій в інструкції з експлуатації.

### CLASS 1 LASER PRODUCT

Цей продукт класифікується як ЛАЗЕРНИЙ ПРИСТРІЙ КЛАСУ 1. Відповідна етикетка знаходиться на задній панелі приладу та означає, що пристрій використовує лазерні промені.

Можливість лазерного опромінення відсутня, якщо прилад не розкривається. ОБСЛУГОВУВАННЯ ПРИСТРОЮ ПОВИННО ВИКОНУВАТИСЯ ТІЛЬКИ КВАЛІФІКОВАНИМИ СПЕЦІАЛІСТАМИ СЕРВІСНОГО ЦЕНТРУ.

### ЗАПОБІЖНІ ЗАХОДИ

#### Підключення до джерел живлення

Перевірте, чи відповідає напруга в електричній мережі робочій напрузі пристрою.

Щоб уникнути виникнення пожежі або ураження електричним струмом, не розміщуйте цей пристрій в умовах підвищеної вологості (біля ванн, тазів з водою, кухонних раковин, пральних машин, поруч з плавальним басейном, у сирих підвалах тощо). Не допускайте попадання на пристрої крапель або бризок. Забороняється занурювати прилад у воду.

Не допускайте перевантаження розеток або подовжувачів, так як це може призвести до пожежі або ураження електричним струмом. Встановіть цей пристрій таким чином, щоб у разі несправності вилку шнура можна було негайно вийняти з розетки. Розміщуйте пристрій на рівній поверхні.

Для додаткового захисту пристрою під час грози, а також у тих випадках, коли ви не збираєтеся використовувати його протягом тривалого часу, відключіть його від розетки електромережі. Це виключить вихід пристрою з ладу через удари блискавки або стрибків напруги в електромережі.

Для від'єднання мережевого шнура беріться безпосередньо за мережеву вилку, в жодному разі не тягніть за шнур.

Щоб уникнути удару електричним струмом, не відкривайте корпус пристрою самостійно. Не ремонтуйте прилад і не вносьте в нього зміни. Сервісне обслуговування має здійснюватися тільки кваліфікованими фахівцями сервісних центрів.

Встановіть пристрій у місцях з достатньою вентиляцією. Не накривайте вентиляційні отвори.

Не розміщуйте пристрій поблизу джерел тепла, наприклад, радіаторів, електрообігрівачів, духовок та інших пристроїв, що є джерелами тепла (у тому числі і підсилювачів), а також у місцях, що піддаються впливу прямих сонячних променів, надмірному запиленню або механічним ударам.

Будьте особливо уважні, якщо поруч із увімкненим приладом перебувають діти або особи з обмеженими можливостями, не залишайте їх без нагляду.

Не ставте на пристрій джерела відкритого полум'я, такі як свічки.

Не допускайте попадання будь-яких сторонніх предметів через отвори в корпусі пристрою, це може спричинити займання пристрою і

ураження електричним струмом. Якщо це сталося, від'єднайте пристрій від мережі і для подальшого його використання зверніться до сервісного центру.

Не програвайте через навушники звук великої гучності. Лікарі не рекомендують тривале безперервне прослуховування через навушники.

## Пошкодження, що потребують ремонту

В описаних нижче ситуаціях необхідно вимкнути пристрій з розетки і звернутися до кваліфікованого персоналу для ремонту пристрою:

- Мережевий шнур або вилка пошкоджені.
- У пристрій потрапили сторонні предмети.
- Пристрій потрапив під дощ або на нього розлили воду.
- Пристрій не працює нормально.
- Пристрій упав або був пошкоджений будь-яким іншим чином.
- Помітні явні зміни в роботі пристрою.

## Догляд за пристроєм

Перед чищенням вимкніть пристрій з розетки. Для чищення пристрою використовуйте вологу м'яку тканину. Забороняється використовувати для цих цілей рідкі або аерозольні засоби для чищення

## Догляд за дисками

Не використовуйте тріснуті або деформовані диски, це може викликати поломку пристрою. Беріть диск тільки за краї. Не торкайтесь до робочої поверхні диска. Пил, подряпини або відбитки пальців на робочій поверхні диска можуть привести до виходу його з ладу.

Не піддавайте диски впливу прямих сонячних променів, джерел тепла, високої температури і вологості.

Після використання приберіть диск у футляр на зберігання. Періодично протирайте робочу поверхню диска м'якою тканиною від центру до країв.

## Перед початком роботи

Вийміть магнітолу з упаковки. Натисніть кнопку OPEN / CLOSE та вийміть захисний вкладиш перед початком використання.

Видаліть всі рекламні етикетки / наклейки з верхньої і передньої частини пристрою, які заважають роботі магнітоли.

## ОПИС ПРИСТРОЮ

1. Ручка регулювання рівня гучності **VOLUME**
  2. Вхід AUX IN для підключення зовнішнього пристрою
  3. Гніздо для підключення навушників
  4. Перемикач режимів роботи пристрою **FUNCTION** (MP3(AUX)/TAPE(OFF)/RADIO)
  5. Поглиблення для відкриття відсіку для дисків OPEN/CLOSE
  6. Перемикач діапазонів **BAND** (FM ST. /FM/ AM)
  7. USB – вхід
  8. FM антена
  9. Ручка налаштування радіостанцій **TUNING**
  10. Кришка батарейного відсіку
  11. Гніздо для підключення до електромережі
  12. Кнопка відтворення/призупинення ► II відтворення **PLAY/PAUSE/USB** та переходу в режим USB
  13. Кнопка зупинки відтворення **STOP** ■
  14. Індикатор роботи стерео режиму FM ST.
  15. Індикатор BASS
  16. РК-дисплей
  17. ІЧ-приймач сигналів пульта дистанційного керування
  18. Кнопка переходу до попереднього треку ◀◀
  19. Кнопка програмування відтворення **PROG**
  20. Кнопка **BASS**
  21. Кнопка **REP/RAN**
  22. Кнопка переходу до наступного треку ▶▶
- ## Пульт ДУ
23. Кнопка програмування відтворення **PROGRAM**
  24. Кнопка переходу на 10 треків назад або в наступну папку -10/**FOL**-
  25. Кнопка переходу на 10 треків вперед або в наступну папку +10/**FOL**+
  26. Кнопка відтворення/призупинення ► II відтворення **PLAY/PAUSE** та переходу в режим **USB**
  27. Кнопка переходу до попереднього треку і пошуку ◀◀/◀
  28. Кнопка переходу до наступного треку і пошуку ▶/▶▶
  29. Кнопка зупинки програмування **STOP**
  30. Кнопка **REPEAT/RANDOM**
  31. Кнопка зменшення гучності **VOL**-
  32. Кнопка збільшення гучності **VOL**+

**Примечание:** Пульст ДУ не працює в режимі радіо.

## ПІДКЛЮЧЕННЯ ЖИВЛЕННЯ

### Живлення від мережі

Перед підключенням пристрою до мережі переконайтеся, що напруга в електричній мережі відповідає робочій напрузі пристрою.

1. Для підключення пристрою до мережі вставте один кінець мережевого шнура в гніздо (11), а інший - у розетку. Встановіть перемикач **FUNCTION** (4) на AUX (MP3), TAPE (OFF) або RADIO.
2. Для вимикання пристрою встановіть перемикач **FUNCTION** (4) в положення TAPE (OFF).

**Примітка:** Статична електрика може привести до перешкод у роботі пристрою. У цьому випадку відключіть пристрій від джерел живлення, а потім підключіть знову. Якщо проблема не зникне, зверніться до найближчого сервісного центру.

### Живлення від батарейок

1. Відключіть пристрій від мережі.
2. Відкрийте кришку батарейного відсіку (10) на дні магнітоли, натиснувши на засувку у напрямку за стрілкою.
3. Дотримуючись полярності встановіть 8 батарейок «С» (UM 2) 1,5 В (не входять до комплексу поставки) в батарейний відсік.
4. Закрийте кришку батарейного відсіку.

**Увага!** Протікання батарей може стати причиною травм або пошкоджень пристрою.

Щоб уникнути пошкодження батарей, дотримуйтеся наведених нижче інструкцій:

- встановлюйте батареї правильно;
- виймайте батареї, якщо пристрій не буде використовуватись протягом тривалого часу;
- не перезаряджайте батареї, не розбирайте їх, не піддавайте впливу високої температури;
- своєчасно міняйте батареї.

**Примітка:** Коли пристрій знаходиться в режимі очікування, він усе ще споживає енергію, щоб повністю відключити пристрій, відключіть мережевий шнур з розетки.

## ОСНОВНІ ФУНКЦІЇ

### Регулювання рівня гучності

Для встановлення бажаного рівня гучності використовуйте ручку регулювання гучності (1).

### Посилення низьких частот

Натисніть один раз кнопку BASS (20), щоб підсилити звучання низьких частот, при цьому загориться індикатор (15).

### Приєм радіостанцій

1. Встановіть перемикач **FUNCTION** (4) в положення RADIO.
2. Виберіть бажаний діапазон: FM ST., FM або AM, встановивши перемикач діапазонів **BAND** (6) у відповідне положення.  
При налаштуванні на станцію, що передає стерео сигнал, загоряється індикатор FM ST (14).
3. Обертаючи ручку налаштування радіостанцій **TUNING** (9), виберіть бажану радіостанцію.
4. Після закінчення прослуховування встановіть перемикач **FUNCTION** (4) в положення TAPE (OFF).

### Антенa

Для найкращого прийому в діапазоні FM висуньте повністю антену і зорієнтуйте її під потрібним кутом.

Для найкращого прийому в діапазоні AM спробуйте різні варіанти розміщення пристрою.

### Відтворення CD дисків

Завантаження - Відкрийте відсік для дисків. Встановіть CD диск і закрийте кришку відсіку. Витяг - Після зупинки відтворення відкрийте кришку відсіку для диску й вийміть диск. Сховайте диск у футляр. Завжди закривайте кришку відсіку для дисків для запобігання попадання в нього пилу. Завжди виймайте диск з відсіку, якщо він не відтворюється.

1. Підключіть магнітолу до електромережі.
2. Виберіть режим відтворення CD дисків. Для цього встановіть перемикач **FUNCTION** (4) у положенні MP3 (AUX).
3. При відсутності диску у відсіку для дисків або у випадку ушкодженого диску на РК-дисплеї відобразяться символи «---».

4. Відкрийте відсік для дисків. Встановіть диск і закрийте кришку відсіку.  
Переконайтеся, що диск встановлений правильно - етикеткою догори.
5. На РК-дисплеї відобразиться загальна кількість треків.

**Примітка:** Цей пристрій може відтворювати CD-R і CD-RW диски

## Відтворення

У режимі зупинки відтворення натисніть кнопку **PLAY / PAUSE**, почнеться відтворення диска і на дисплеї відобразиться номер треку, і напис «PLAY».

## Пауза

Щоб призупинити відтворення, натисніть кнопку **PLAY / PAUSE** у режимі відтворення, напис «PLAY» буде блимати на РК-дисплеї. Для відновлення програвання натисніть повторно кнопку **PLAY / PAUSE**.

## Зупинка відтворення

Для зупинки відтворення натисніть кнопку **STOP ■**. На РК-дисплеї відобразиться загальна кількість треків.

## Перехід до початку треку, попереднього і наступного треку

1. Для переходу до початку треку, натисніть в режимі відтворення один раз кнопку **⏮**.
2. Для переходу до наступного треку натисніть один раз кнопку **⏭**.
3. Для переходу до попереднього треку натисніть в режимі відтворення два рази кнопку **⏮**.
4. Якщо відтворення зупинено, то для переходу до попереднього / наступного треку натискайте кнопки **⏮/⏭** один раз.

## Перехід до певного фрагменту треку

Натисніть і утримуйте кнопки **⏮/⏭** для прискореного переходу до певного фрагменту треку в прямому або зворотному напрямку (Звук не буде відтворюватися доти, поки натиснуті кнопки **⏮/⏭**). Натисніть і утримуйте кнопку **-10/FOL-** або **+10 / FOL +** на пульті ДУ для переходу до попередньої / наступної паці. Для вибору необхідного треку у вибраній вами паці, скористайтеся кнопками **⏮/⏭**.

## Повторення програвання треку або диска

1. Для повторення одного треку натисніть один раз кнопку **REP / RAN**, на РК-дисплеї відобразяться символи «REP».
2. Для повторення всіх треків на диску натисніть два рази кнопку **REP / RAN**, на РК-дисплеї відобразяться символи «REP ALL»
3. Для повторення альбому натисніть три рази кнопку **REP / RAN**, на РК-дисплеї відобразяться символи «REP ALBUM»

## Примітка:

Дані функції активні тільки в режимі відтворення або паузи.

## Відтворення в довільному порядку

1. Для відтворення всіх треків на диску в довільному порядку натисніть чотири рази кнопку **REP / RAN** в режимі відтворення, на РК-дисплеї з'являться символи «PLAY RANDOM».
2. Для скасування програвання в довільному порядку натисніть ще раз кнопку **REP / RAN**, символи «PLAY RANDOM» зникнуть.

**Примітка:** Дані функції активні тільки в режимі відтворення або паузи.

## ПРОГРАМУВАННЯ ПРОГРАВАННЯ

Ви можете запрограмувати відтворення треків у бажаному порядку.  
У режимі відтворення CD або MP3-диска:

1. Коли програвання диска зупинено натисніть один раз кнопку **PROG**. На РК-дисплеї з'являться символи програмування «PROGRAM», номер треку при програмуванні «P01»
2. Виберіть бажаний трек, послідовно натискаючи кнопки **⏭** або **⏮**.
3. Для збереження обраного треку натисніть кнопку **PROG**. Номер треку при програмуванні зміниться на «P02».
4. Програмування наступного треку: виберіть наступний трек, послідовно натискаючи кнопки **⏭** або **⏮**. Потім натисніть кнопку **PROG** для збереження обраного треку в пам'яті.
5. Для відтворення запрограмованих треків натисніть кнопку **PLAY / PAUSE**.
6. Для скасування запрограмованого відтворення натисніть кнопку **STOP** або відкрийте кришку відсіку для дисків, або

ж встановить перемикач **FUNCTION** в інше положення.

**Примітка:** Ви можете запрограмувати до 99 треків.

## Відтворення MP3 файлів з USB носія

Цей пристрій може програвати більшість файлів, записаних у форматі MP3, але бувають випадки, коли файл не відтворюється через налаштування програмного забезпечення, яке використовувалось при записі диска. (Наприклад, через відсутність фіналізації диска.)

1. Увімкніть магнітолу. Встановить перемикач **FUNCTION** у положення AUX(MP3).
2. Натисніть і утримуйте кнопку **PLAY/PAUSE** на магнітолі для переходу в режим USB.
3. Вставте USB пристрій у відповідний роз'єм. Розпочнеться читання носія, потім на дисплеї відобразиться загальна кількість треків.
4. Якщо до USB роз'єму не підключено USB пристрій, на РК-дисплеї відобразиться символи «NOd»
5. Щоб вийти з USB режиму, так само натисніть і утримуйте кнопку **PLAY/PAUSE**.
6. Для переходу на 10 треків назад / вперед натискайте кнопки **-10/FOL-** и **+10/FOL+** (для вибору альбому натисніть і утримуйте кнопки).
7. За допомогою кнопок **»** або **«** виберіть бажаний трек.
8. Натисніть і утримуйте кнопки **«** / **»** для прискореного відтворення в прямому або зворотному напрямку.
9. Для відтворення обраного треку натисніть кнопку **PLAY/PAUSE**
10. Щоб призупинити відтворення, натисніть кнопку **PLAY/PAUSE**
11. Для відновлення програвання натисніть повторно кнопку **PLAY/PAUSE**
12. Для зупинки відтворення натисніть кнопку **STOP**.

### **Примітка:**

Даний пристрій не підтримує відтворення з HDD дисків та деяких MP3 плеєрів.

## Повторення програвання треку або папки (альбому)

1. Для повторення одного треку натисніть один раз кнопку **REP/RAN** в режимі відтворення USB, поточний трек буде постійно повторюватися.
2. Для повторення всіх треків натисніть два рази кнопку **REP/RAN**, всі треки будуть постійно повторюватися.
3. Для повторення однієї папки натисніть три рази кнопку **REP/RAN**, всі треки в папці будуть повторюватися постійно.

**Примітка:** Дані функції активні тільки в режимі відтворення або паузи.

## Відтворення в довільному порядку

1. Для відтворення у довільному порядку, натисніть чотири рази кнопку **REP/RAN**. На РК-дисплеї відобразяться символи «RANDOM».
2. Для скасування програвання в довільному порядку натисніть ще раз кнопку **REP/RAN** символ «RANDOM» зникне.

**Примітка:** Дані функції активні тільки в режимі відтворення або паузи.

## Програмування відтворення

Ви можете запрограмувати відтворення треків у бажаному порядку.

1. Встановить перемикач **FUNCTION** (4) в положення AUX (MP3).
2. Натисніть і утримуйте кнопку **PLAY/PAUSE/USB** на магнітолі для переходу в режим відтворення USB пристроїв.
3. У режимі зупинки відтворення натисніть один раз кнопку **PROG**. На РК-дисплеї будуть символи програмування «PROGRAM», номер треку при програмуванні «P01»
4. Вибрати трек, послідовно натискаючи кнопки **»** або **«**.
5. Для переходу на 10 треків назад / вперед натискайте кнопки **-10/FOL-** и **+10/FOL+** (для вибору альбому натисніть і утримуйте кнопки).
6. Для збереження обраного треку натисніть кнопку **PROG**. Номер треку при програмуванні зміниться на «P02».
7. Повторіть пункти 3-6 для програмування кожного наступного треку. Ви можете запрограмувати максимум 99 треків

8. Для відтворення запрограмованих треків натисніть кнопку **PLAY/PAUSE**.

**Примітка:** Для призупинення запрограмованого відтворення натисніть кнопку **STOP**. Для відновлення запрограмованого відтворення натисніть кнопку **PLAY / PAUSE**.

Для скасування запрограмованого відтворення натисніть кнопку **STOP** ще раз, або відкрийте кришку відсіку для дисків, витягніть USB-пристрій з відповідного роз'єму, або ж встановіть перемикач **FUNCTION (4)** в інше положення.

**Примітка:** Максимальне число треків у папці: 999. Максимальна кількість папок: 255.

**Примітка:** Даний пристрій не підтримує відтворення з HDD дисків та деяких MP3 плеєрів.

## ПІДКЛЮЧЕННЯ НАВУШНИКІВ

Гніздо (3,5 мм) (3) призначено для підключення навушників з опором 16-32 Ом. Відтворення із вбудованих динаміків автоматично припиняється при підключенні навушників.

## Гніздо AUX IN

Для підключення зовнішнього пристрою використовуйте гніздо AUX IN (2). Підключіть зовнішній пристрій за допомогою аудіокабеля 3,5 mm Jack - 3,5 mm Jack (не входить в комплект поставки).

## ОБСЛУГОВУВАННЯ І ПРАВИЛА БЕЗПЕКИ

### Запобіжні заходи та загальне обслуговування

- Встановіть пристрій на рівну тверду поверхню, щоб воно не було нахилене.
- Не піддавайте пристрій, елементи живлення або CD-диски впливу вологи, дощу, піску або занадто високої температури від обігрівачів або через попадання прямого сонячного світла.
- Не накривайте магніфон під час його роботи. Щоб пристрій не перегрівається, між вентиляційними отворами і сусідніми поверхнями має бути вільний простір не менш 6 дюймів (15 см).
- Механічні частини пристрою містять підшипники з автоматичним мастилом; їх не треба змазувати.

- Для очищення пристрою використовуйте м'яку суху тканину. Не використовуйте миючі засоби, що містять спирт, аміак, бензин або абразивні частки, тому що вони можуть пошкодити корпус.

### CD-програвач і зберігання CD-дисків

- Не торкайтеся лінзи CD-програвача!
- При різкому перепаді температури навколишнього повітря на лінзі CD-програвача може утворитися конденсат. Відтворення диска при цьому стане неможливим. Не намагайтеся очистити лінзу. Залиште магніфон у теплому приміщенні, поки волога не випарується.
- Завжди закривайте відсік для CD-дисків, щоб у відділення для диска не потрапляв пил. Щоб очистити відсік для диска, протріть його м'якою сухою тканиною.
- Щоб очистити CD-диск, протріть його по прямій лінії від центру до краю м'якою тканиною без ворсу. Не використовуйте засоби для чищення, оскільки вони можуть пошкодити диск.
- Ніколи не пишійте на CD-диску і не прикріплюйте до нього ніяких наклейок

### ЧИЩЕННЯ ПРИСТРОЮ

- Щоб запобігти загорянню або ураження електричним струмом, від'єднайте пристрій від мережі перед початком чищення пристрою.
- Поверхню пристрою можна чистити за допомогою ганчірочки для збирання пилу. Будьте обережні при протиранні та чищенні пластикових частин.
- При забрудненні корпусів колонок користуйтеся м'якою сухою ганчіркою для прибирання пилу. Не використовуйте віск або аерозольні поліролі для очищення корпусів колонок.
- При забрудненні передньої панелі користуйтеся м'якою тканиною злегка зволоженою у слабкому мильному розчині. Ні в якому разі не використовуйте абразивні речовини і поліролі, так як вони зашкодять поверхню пристрою.

*Обережно! Не допускайте попадання води або інших рідин усередину пристрою під час чищення.*

## УКРАЇНСЬКИЙ

### ПОШУК І УСУНЕННЯ НЕСПРАВНОСТЕЙ

Причиною несправностей або шумів часто є неправильне використання. Якщо ви читаєте, що пристроєм щось не так, перевірте можливі причини несправності за даною таблицею. Якщо вам не вдалося усунути несправність, зверніться до найближчого авторизованого сервісного центру.

Несправність	Можлива причина	Усунення
<b>Радіо</b>		
Шум при прослуховуванні радіостанцій у діапазоні FM або AM	Станція не налаштована	Налаштуйте станцію
	FM діапазон: антена не висунута	Висуньте антену
	AM діапазон: пристрій розміщено поза зоною прийому	Спробуйте інші варіанти розміщення
Магнітола не відтворює радіостанції в діапазоні FM або AM	Перемикач FUNCTION не встановлено в положення RADIO	Встановіть перемикач FUNCTION в положення RADIO
	Низький рівень гучності	Збільшіть рівень гучності
<b>Диск</b>		
Диск не відтворюється	Перемикач FUNCTION не встановлений в положення AUX(MP3)	Встановіть перемикач FUNCTION в положення AUX(MP3)
	Диск відсутній або встановлений неправильно	Перевірте правильність встановлення диску, він повинен бути встановлений етикеткою догори
Окремі треки не програватимуться	Диск із подряпинами або забруднений	Протріть диск м'якою тканиною, не використовуйте пошкоджені диски
Диск встановлений, але треки не програватимуться	Диск встановлений неправильно	Перевірте правильність встановлення диску він повинен бути встановлений етикеткою догори
	Диск із подряпинами або забруднений	Протріть диск м'якою тканиною, не використовуйте пошкоджені диски
	Невідповідний формат диска	Використовуйте диски належного формату
<b>USB-пристрій</b> не відтворюється	Не обраний режим відтворення з USB-пристрою	Оберіть режим відтворення з USB-пристрою
	USB-пристрій не вставлений в роз'єм або на ньому немає MP3 файлів	Перевірте, чи вставлений USB-пристрій та переконайтеся, що він містить MP3



## Технічні характеристики

Живлення	220 В ~ 50 Гц
Робота від елементів живлення	UM 2(«С») x 8
Вихідна потужність	2 x 2,5 Вт
Динаміки	2 x 8 Ом
Діапазон частот	AM: 530 – 1600 кГц FM: 64 – 108 МГц
Завантаження диску	Зверху

*Виробник залишає за собою право змінювати характеристики приладу без попереднього повідомлення.*

**Строк служби приладу - 5 років.**

### Гарантія

Докладні умови гарантії можна отримати в дилера, що продав дану апаратуру. При пред'явленні будь-якої претензії протягом терміну дії даної гарантії варто пред'явити чек або квитанцію про покупку.





*Даний виріб відповідає вимогам до електромагнітної сумісності, що пред'являються директивою 89/336/ЄЕС Ради Європи й розпорядженням 23/73 ЄЕС по низьковольтних апаратурах.*

## CD/MP3 БАР МАГНИТОЛА

### ПАЙДАЛАНУ БОЙЫНША НҰСҚАУЛЫҚ

Құрылғыны қосу, пайдалану немесе баптау алдында, нұсқаулықты зейін қойып оқып шығыңыз. Осы нұсқауда құрылғыны пайдалану бойынша келтірілген барлық ескертулер мен ұсыныстарды сақтау қажет.

Нұсқауды сақтаңыз, оны келешекте анықтамалық мәліметтер ретінде пайдаланыңыз.

	<b>Назар салыңыз</b> Электр тоқпен соғу қаупі бар Ашуға болмайды	
<p>Ескерту: Өрт қаупінің пайда болуын немесе электр тоғының соғуын болдырмау үшін құрылғыны жаңбырдың немесе ылғалдың әсеріне ұшыратпаңыз. Электр тоғының соғуын болдырмау үшін құрылғының корпусын өз бетіңізше ашпаңыз. Сервистік қызмет көрсетуді сервис орталықтарының білікті мамандары ғана жүзеге асыруы керек.</p>		

#### Қауіпті кернеу



Тең қабырғалы үшбұрыштың ішіндегі найзағай белгісі пайдаланушыға электр тоғының соғу қаупі бар, құрылғының корпусының ішінде қауіпті тоқ кернеуінің бар екендігін көрсетеді.

#### Назар салыңыз



Тең қабырғалы үшбұрыштың ішіндегі леп белгісі пайдаланушыға пайдалану нұсқаулығының мазмұнында маңызды ұсыныстар бар екендігін көрсетеді

### CLASS 1 LASER PRODUCT

Берілген өнім 1 ТАПТЫҢ ЛАЗЕРЛІК ҚҰРЫЛҒЫСЫ ретінде жіктеледі. Сәйкес жапсырма құрылғының артқы панелінде орналасқан және құрылғы лазерлік сәулелерді пайдаланатынын білдіреді. Егер аспапты ашпаса, лазерлік сәулелену мүмкіндігі болмайды. ҚЫЗМЕТ КӨРСЕТУ ОРТАЛЫҚТАРЫНЫҢ БІЛІКТІ МАМАНДАРЫ ҒАНА АСПАПҚА ҚЫЗМЕТ КӨРСЕТУДІ ЖҮЗЕГЕ АСЫРУЫ КЕРЕК.

### ҚАУІПСІЗДІК ШАРАЛАРЫ

#### Қоректендіру көздеріне қосу

Электр желісіндегі кернеудің құрылғының жұмыс істеу кернеуіне сәйкес келуін тексеріңіз Өрттің пайда болуын немесе электр

тоғы соққысын болдырмау үшін бұл құрылғыны жоғары ылғалды жерлерде орналастырмаңыз (жуынатын бөлмелердің, суы бар шылапшындардың, асханалық бақалшақтардың, кір жуатын машиналардың, жүзу хауыздарының қасында, дымқыл жертөлелерде және т.с.с.) Құрылғыға тамшылардың немесе шашырандылардың тиюін болдырмаңыз. Аспапты суға салуға тыйым салынады.

Розеткалар мен ұзартқыштарды шамадан тыс жүктемеңіз, себебі бұл өртке немесе электр тоғымен зақымдануға соқтыруы мүмкін. Бұзылу жағдайында желілік баудың айыр тетігін розеткадан тез арада ажыратуға мүмкін болатындай етіп бұл құрылғыны орналастырыңыз. Құрылғыны жазық бетте орналастырыңыз.

Құрылғыны найзағай уақытында, сонымен қатар Сіз оны ұзақ уақыт бойы пайдаланбайтын жағдайларда қосымша қорғау үшін, құрылғыны электрқорегі розеткасынан ажыратыңыз. Бұл найзағай ұрғанда немесе электр желісіндегі секірулерден құрылғының істен шығуын болдырмайды.

Желілік бауды ажырату үшін тікелей айыр тетіктен ұстаңыз, ешбір жағдайда баудан тартпаңыз.

Электр тоғы соққысын болдырмау үшін құрылғы қорабын өз бетіңізбен ашпаңыз. Аспапты жөндемеңіз және оған өзгертулер енгізбеңіз. Қызмет көрсету орталықтарының білікті мамандары ғана сервистік қызмет көрсетуді жүзеге асыруы керек.

Құрылғыны желдетісі жеткілікті жерлерде орналастырыңыз. Желдететін саңылауларды бүркеп жаппаңыз.

Құрылғыны жылу көздерінің, мысалы, радиаторлардың, электр жылытқыштардың, тандырлардың және жылу көзі болып табылатын басқа құрылғылардың (оның ішінде зорайтқыштардың) қасында, сонымен қатар тікелей күн сәулелерінің әсеріне, шамадан тыс шаңдануға немесе механикалық соққыларға ұшырайтын жерлерде орналастырмаңыз.

Құрылғыға майшам сияқты, ашық от көздерін қоймаңыз.

Егер қосылған аспаптың қасында балалар немесе мүмкіндіктері шектеулі тұлғалар болса аса назар болыңыз, оларды қараусыз қалдырмаңыз.

Құрылғы қорабындағы саңылаулар арқылы қандай да бір бөтен заттардың түсуіне жол

бермеңіз, бұл құрылғының өртенуіне және электр тоғымен зақымдануға әкелуі мүмкін. Егер солай болған жағдайда, құрылғыны желіден ажыратыңыз және келешекте оны пайдалану үшін қызмет көрсету орталығына хабарласыңыз.

Тыңдағыштар арқылы деңгейі жоғары дыбысты жаңғыртпаңыз. Дәрігерлер тыңдағыштар арқылы ұзақ үздіксіз тыңдауды ұсынбайды.

### Жөндеуді қажет ететін бұзылулар

Төменде сипатталған жағдайларда құрылғыны розеткадан ажырату және құрылғыны жөндеу үшін білікті қызмет көрсетушілерге хабарласу қажет:

- Желілік баудың немесе айыр тетіктің бұзылуы
- Құрылғыға бөтен заттар түсуі.
- Құрылғының жаңбырдың астына түсуі немесе оған су төгілуі.
- Құрылғы дұрыс істемейді.
- Құрылғы құлауы немесе қандай да бір басқа жолмен бұзылуы.
- Құрылғы жұмысында айқын өзгерістер байқалуы.

### Құрылғының күтімі

Тазарту алдында құрылғыны розеткадан ажыратыңыз. Құрылғыны тазалау үшін жұмсақ дымқыл шүберекті пайдаланыңыз. Бұл мақсаттарға сұйық немесе аэрозолды тазартқыш заттарды пайдалануға тыйым салынады.

### Дискілер күтімі

Шытынаған немесе деформацияланған дискілерді пайдаланбаңыз, бұл құрылғының бұзылуына әкелуі мүмкін. Дискілерді тек шеттерінен ұстаңыз. Дискінің жұмыс бетіндегі шаң, сызат немесе саусақ іздері оның істен шығуына әкелуі мүмкін. Дискілерді тікелей күн сәулелерінің, жылу көздерінің, жоғары температура мен ылғалдылықтың әсеріне ұшыратпаңыз. Пайдаланғаннан кейін дискіні сауытқа салып сақтаңыз. Дискінің жұмыс бетін жұмсақ шүберекпен ортасынан шетіне қарай тұрақты сүртiп тұрыңыз.

### Жұмысты бастау алдында

Құрылғыны ораудан шығарыңыз. Пайдалануды бастау алдында CLOSE/OPEN батырмасын басыңыз және қорғайтын қыстырманы шығарыңыз.

Жұмыс істеуге кедергі болатын, құрылғының жоғарғы және беткі жағындағы барлық жарнамалық жапсырмаларды жойыңыз.

### АСПАП СИПАТТАМАСЫ

1. **VOLUME** дыбыс деңгейін реттеу тұтқасы
2. Сыртқы құрылғыны қосуға арналған AUX IN енуі
3. Тыңдағыштарды қосуға арналған ұя
4. **FUNCTION** (MP3(AUX)/(OFF)/RADIO) құрылғы жұмысы режимдерінің ауыстырғышы
5. OPEN/CLOSE дискілерге арналған бөлікті ашу ойығы
6. **BAND** (FM ST. /FM/AM) ауқымдар ауыстырғышы
7. USB-ену
8. FM –антенна
9. **TUNING** радиостанцияларды баптау тұтқасы
10. батареялық бөлік қақпағы
11. электр желісіне қосылуға арналған ұя
12. **PLAY/PAUSE/USB** жаңғырту/тоқтата тұру ► II және USB режиміне көшу батырмасы
13. **STOP** ■ жаңғыртуды тоқтату батырмасы
14. FM ST стереорежим көрсеткіші
15. BASS көрсеткіші
16. СК-дисплей
17. Қашықтан басқару пульты сигналдарының ИҚ-қабылдағышы
18. ⏪ дейінгі трекке көшу батырмасы
19. **PROG** жаңғыртуды бағдарламалау батырмасы
20. **BASS** батырмасы
21. **REP/RAN** батырмасы
22. ⏩ кейінгі трекке көшу батырмасы

### Қашықтан басқару пульты

1. **PROGRAM** жаңғыртуды бағдарламалау батырмасы
2. **-10/FOL-** 10 трек артқа немесе дейінгі қапшыққа көшу батырмасы
3. **+10/FOL+** 10 трек алға немесе кейінгі қапшыққа көшу батырмасы
4. **PLAY/PAUSE/USB** жаңғырту/тоқтата тұру ► II және USB режиміне көшу батырмасы
5. ⏪ дейінгі трекке көшу батырмасы
6. ⏩ кейінгі трекке көшу батырмасы
7. **STOP** ■ жаңғыртуды тоқтату батырмасы
8. **REPEAT/RANDOM** батырмасы
9. **VOL-**дыбыс деңгейін бәсеңдету батырмасы
10. **VOL+**дыбыс деңгейін зорайт батырмасы

**Ескерту:** ҚБ пульты радио режимінде жұмыс істемейді.

## ҚОРЕКТЕНДІРУДІ ҚОСУ

### Желіден қоректендіру

Құрылғыны желіге қосар алдында, электр желісіндегі кернеудің құрылғының жұмыс істеу кернеуіне сәйкес келетіндігіне көз жеткізіңіз

1. Құрылғыны желіге қосу үшін желілік баудың бір шетін ұяға (11), ал екінші шетін ашалыққа қосыңыз. **FUNCTION** ауыстырғышын (4) AUX (MP3), (OFF) немесе RADIO күйіне белгілеңіз.
2. Құрылғыны сөндіру үшін **FUNCTION** ауыстырғышын (4) (OFF) күйіне белгілеңіз.

**Ескерту:** Статикалық электр құрылғы жұмысындағы бөгеттерге әкелуі мүмкін. Мұндай жағдайда құрылғыны қоректендіру көздерінен ажыратыңыз, ал кейін қайтадан қосыңыз. Егер мәселе шешілмесе, ең жақын қызмет көрсету орталығына хабарласыңыз.

### Батарейкалардан қоректендіру

1. Құрылғыны желіден айырыңыз
2. Магнитоланың түбіндегі нұсқа бойынша бағытта ілгектерге басып, батареялық бөліктің қақпағын (11) ашыңыз.
3. Үйектілікті сақтай отырып, «С» (UM 2) 1,5В 8 батареяканы (жеткізілім жинағына енбейді) батареялық бөлікке салыңыз
4. Батареялық бөліктің қақпағын жабыңыз.

**Назар аударыңыз!** Батарейкалардың ағып кетуі жарақаттар мен құрылғының бұзылуының себебі болуы мүмкін. Оны болдырмау үшін төменде көрсетілген нұсқаулықтарды сақтаңыз:

- батареякаларды дұрыс орнатыңыз.
- егер құрылғы ұзақ уақыт бойы пайдаланылмайтын болса, батареякаларды шығарып қойыңыз.
- батареякаларды қайта зарядтамаңыз, оларды бөлшектемеңіз, жоғары температуралардың әсерін тигізбеңіз;
- батареякаларды уақытында айырбастап тұрыңыз.

**Ескерту:** Құрылғы күту режимінде болғанда, ол әлі энергияны тұтынады, құрылғыны толық сөндіру үшін, желілік бауды ашалықтан ажыратыңыз.

## НЕГІЗГІ ҚЫЗМЕТТЕРІ

### Дыбыс деңгейін реттеу

Қажетті дыбыс деңгейін орнату үшін дыбыс деңгейі реттейтін тұтқаны (1) пайдаланыңыз.

### Төменгі жиіліктерді күшейту

Төменгі жиіліктегі дыбыстарды күшейту үшін, BASS батырмасын (20) бір рет басыңыз, сол кезде көрсеткіш (15) жанады.

### Радиостанцияларды қабылдау

1. **FUNCTION** (4) ауыстырғышын RADIO күйіне белгілеңіз.
2. **BAND** (6) ауқымдардың ауыстырғышын сәйкес күйге белгілеп: FM, AM немесе FM ST (FM стерео), қаланған ауқымды таңдаңыз. Стереосигналды тарататын станцияға баптағанда, FM ST (14) көрсеткіші жанады.
3. Радиостанцияларды баптаудың **TUNING (9)** тұтқасын айналдыра отырып, қаланған радиостанцияны таңдаңыз.
4. Таңдап болғаннан кейін **FUNCTION** (4) ауыстырғышын (OFF) күйіне белгілеңіз.

### Антенна

FM ауқымындағы ең жақсы қабылдау үшін телескопиялық антеннаны толық шығарыңыз және оны қажетті бұрышта бұраңыз. AM ауқымындағы ең жақсы қабылдау үшін магнитоланы әртүрлі орнын ауыстырып көріңіз.

### CD дискілерін жаңғырту

Жүктеу – Дискілерге арналған бөлікті ашыңыз. CD дискіні орнатыңыз және бөлік қақпағын жабыңыз.

Шығару – Жаңғыртуды тоқтатқаннан кейін дискілерге арналған бөліктің қақпағын ашыңыз және дискіні шығарыңыз. Дискіні қабына салып қойыңыз.

Дискілерге арналған бөлікке шаң түсуін болдырмау үшін, әрқашан оның қақпағын жабыңыз.

Егер дискі жаңғыртылып жатпаса, оны әрқашан бөліктен шығарыңыз

1. Магнитоланы электржелісіне қосыңыз.
2. CD дискілерді жаңғырту режимін таңдаңыз. Ол үшін **FUNCTION** (4) ауыстырғышын MP3(AUX) күйіне белгілеңіз.
3. Дискілерге арналған бөлікте дискі болмағанда немесе дискінің бүлінгі

жағдайында СК-дисплейде «---» таңбалары көрсетіледі.

4. Дискілерге арналған бөлікті ашыңыз. Дискіні орнатыңыз және бөліктің қақпағын жабыңыз. Дискінің дұрыс орнатылғандығына көз жеткізіңіз – жапсырмасымен жоғары.
5. СК-дисплейде тректердің жалпы саны көрсетіледі

**Ескерту:** Берілген құрылғы CD-R және CD-RW дискілерді жаңғырта алады

### Жаңғырту

Жаңғырту тоқтау режимінде PLAY/PAUSE батырмасын басыңыз, дискіні жаңғырту басталады және дисплейде жаңғыртылып жатқан тректің нөмірі мен «PLAY» жазуы көрсетіледі.

### Тоқтата тұру

Жаңғыртуды тоқтата тұру үшін жаңғырту режимінде PLAY/PAUSE батырмасын басыңыз, СК-дисплейдегі PLAY жазуы жанып-сөне бастайды.

Жаңғыртуды жалғастыру үшін PLAY/PAUSE батырмасын қайталап басыңыз

### Жаңғыртуды тоқтату

Жаңғыртуды тоқтату үшін STOP ■ батырмасын басыңыз. СК-дисплейде тректердің жалпы саны көрсетіледі.

### Тректің басына, дейінгі және кейінгі трекке өту.

1. Жаңғыртылып жатқан тректің басына өту үшін жаңғырту режимінде бір рет ⏪ батырмасын басыңыз.
2. Кейінгі трекке өту үшін ⏩ батырмасын басыңыз.
3. Дейінгі трекке өту үшін жаңғырту режимінде екі рет ⏪ батырмасын басыңыз.
4. Егер жаңғырту тотап тұрса, дейінгі және кейінгі трекке өту үшін ⏪⏩ батырмаларын бір рет басыңыз.

### Тректің белгілі бір бөлігіне көшу

Тректің белгілі бір бөлігіне алғы немесе артқы бағытта жедел көшу үшін ⏪/⏩ батырмаларын басып ұстап тұрыңыз (⏪/⏩ батырмалары басылып тұрғанда, дыбыс жаңғыртылмайды). Дейінгі немесе кейінгі қапшыққа көшу үшін ҚБ пультында -10/FOL- немесе +10/FOL+ батырмасын басып ұстап тұрыңыз.

Таңдалған қапшықтағы қажетті тректі таңдау үшін ⏪/⏩ батырмаларын пайдаланыңыз.

### Тректі немесе дискіні қайталап жаңғырту

1. Бір тректі қайталау үшін REP/RAN батырмасын бір рет басыңыз, СК-дисплейде «REP» таңбасы көрінеді.
2. Дискідегі барлық тректерді қайталау үшін екі рет REP/RAN батырмасын басыңыз, СК-дисплейде «REP ALL» таңбасы көрінеді.
3. Альбомды қайталау үшін үш рет REP/RAN батырмасын басыңыз, СК-дисплейде «REP ALBUM» таңбасы көрінеді.

**Ескерту:** Берілген қызметтер тек жаңғырту немесе тоқтата тұру режимінде ғана белсенді болады.

### Кез-келген кезекпен жаңғырту

1. Дискідегі барлық тректерді кез-келген кезекпен жаңғырту үшін жаңғырту режимінде төрт рет REP/RAN батырмасын басыңыз, СК-дисплейде «PLAY RANDOM» таңбасы көрінеді.
2. Кез-келген кезекпен жаңғыртуды жою үшін тағы да REP/RAN батырмасын басыңыз, «PLAY RANDOM» таңбасы жойылады.

### ЖАҢҒЫРТУДЫ БАҒДАРЛАМАЛАУ

Сіз қажетті кезекпен тректердің жаңғытылуын бағдарламалай аласыз.

CD немесе MP3-дискіні жаңғырту режимінде:

1. Дискінің жаңғыртылуы тоқтап тұрғанда, бір рет **PROG** батырмасын басыңыз. СК-дисплейде «PROGAM» бағдарламалау таңбалары және «P01» трек нөмірі жанады.
2. ⏩ немесе ⏪ батырмаларын кезегімен баса отырып, қажетті тректі таңдаңыз.
3. Таңдалған тректі сақтау үшін **PROG** батырмасын басыңыз. Бағдарламалау кезіндегі тректің нөмірі «P02» болып өзгереді.
4. Келесі тректі бағдарламалау: ⏩ немесе ⏪ батырмаларын кезегімен баса отырып, келесі тректі таңдаңыз. Содан кейін таңдалған тректі жадта сақтау үшін **PROG** батырмасын басыңыз.
5. Бағдарламаланған тректерді жаңғырту үшін **PLAY/PAUSE** батырмасын басыңыз.
6. Бағдарламаланған жаңғыртуды жою үшін **STOP** батырмасын басыңыз немесе дискілерге арналған бөлімнің қақпағын ашыңыз, немесе **FUNCTION** батырмасын басқа күйге белгілеңіз.

**Ескерту:** Сіз 99 трекке дейін бағдарламалай аласыз.

## MP3 дискілерді жаңғырту

Берілген құрылғы MP3 форматында жазылған дискілердің көбісін жаңғырта алады, бірақ дискіні жазу кезінде пайдаланылған бағдарламалық қамсыздандырудың баптаулары әсерінен диск жаңғыртылмайтын жағдайлар болады. (Мысалы, дискінің финализациясы болмағанда.)

1. Магнитоланы қосыңыз. **FUNCTION** ауыстырғышын AUX(MP3) күйіне белгілеңіз.
2. Магнитоланда USB режиміне көшу үшін **PLAY/PAUSE** басып ұстап тұрыңыз.
3. USB құрылғыны сәйкес ағытпаға қосыңыз. Таспаны оқу басталады, содан кейін дисплейде тректердің жалпы саны көрсетіледі.
4. Егер USB ағытпаға USB құрылғы қосылмаған болса, СК-дисплейде «NO» таңбалары көрсетіледі
5. USB режимнен шығу үшін, солай **PLAY/PAUSE** басып ұстап тұрыңыз.
6. 10 трекке алға/артқа көшу үшін **-10/FOL-** немесе **+10/FOL+** батырмаларын басыңыз (альбомды таңдау үшін батырмаларды басып ұстап тұрыңыз).
7. ► немесе ◄ батырмалары көмегімен қажетті тректі таңдаңыз.
8. Алғы немесе артқы бағытта жедел жаңғырту үшін ◄/► батырмаларын басып ұстап тұрыңыз
9. Таңдалған тректі жаңғырту үшін **PLAY/PAUSE** батырмасын басыңыз
10. Жаңғыртуды тоқтата тұру үшін **PLAY/PAUSE** батырмасын басыңыз
11. Жаңғыртуды жалғастыру үшін **PLAY/PAUSE** батырмасын қайталап басыңыз
12. Жаңғыртуды тоқтату үшін **STOP** батырмасын басыңыз.

**Ескерту:** Берілген құрылғы HDD дискілерін және кейбір MP3 плеерлерді жаңғырта алмайды.

## Треккі немесе қапшықты (альбомды) қайталап жаңғырту

1. Бір тректі қайталау үшін USB жаңғырту режимінде **REP/RAN** батырмасын бір рет басыңыз, ағымдағы трек қайталана береді.
2. Берілген қапшықтағы барлық тректерді қайталау үшін екі рет **REP/RAN** батырмасын басыңыз, барлық тректер қайталана береді.
3. Дискідегі бір қапшықты қайталау үшін рет

**REP/RAN** батырмасын басыңыз, қапшықтағы барлық тректер қайталана береді.

**Ескерту:** Берілген қызметтер тек жаңғырту немесе тоқтата тұру режимінде ғана белсенді болады.

## Еркін кезекпен жаңғырту

1. Дискідегі барлық тректерді еркін кезекпен жаңғырту үшін төрт рет **REP/RAN** батырмасын басыңыз, СК-дисплейде «RANDOM» таңбасы көрінеді.
2. Барлық тректерді кез-келген кезекпен жаңғыртуды жою үшін тағы да **REP/RAN** батырмасын басыңыз, «RANDOM» таңбасы жойылады.

## Жаңғыртуды бағдарламалау

Сіз қажетті кезекпен тректердің жаңғытылуын бағдарламалай аласыз.

1. **FUNCTION** (4) ауыстырғышын MP3(AUX) күйіне белгілеңіз.
2. USB құрылғыларды жаңғырту режиміне көшу үшін **PLAY/PAUSE/USB** батырмасын басып ұстап тұрыңыз.
3. Дискінің жаңғыртылуы тоқтап тұрғанда, бір рет **PROG** батырмасын басыңыз. СК-дисплейде «PROGAM» бағдарламалау таңбалары және «P01» трек нөмірі жанады.
4. ► немесе ◄ батырмаларын кезегімен баса отырып, қажетті тректі таңдаңыз.
5. 10 трекке алға/артқа көшу үшін **-10/FOL-** немесе **+10/FOL+** батырмаларын басыңыз (альбомды таңдау үшін батырмаларды басып ұстап тұрыңыз).
6. Таңдалған тректі сақтау үшін **PROG** батырмасын басыңыз. Бағдарламалау кезіндегі тректің нөмірі «P02» болып өзгереді.
7. Әрбір келесі тректі бағдарламалау үшін 3-6 тармақтарын қайталаңыз. Сіз ең көбі 99 тректі бағдарламалай аласыз
8. Бағдарламаланған тректерді жаңғырту үшін **PLAY/PAUSE** батырмасын басыңыз.

**Ескерту:** Бағдарламаланған жаңғыртуды тоқтата тұру үшін **STOP** батырмасын басыңыз. Бағдарламаланған тректерді жаңғыртуды жалғастыру үшін **PLAY/PAUSE** батырмасын басыңыз. Бағдарламаланған жаңғыртуды жою үшін **STOP** батырмасын тағы басыңыз. немесе дискілерге арналған бөлімнің қақпағын ашыңыз, USB-құрылғыны

сәйкес ағытпадан шығарыңыз немесе **FUNCTION (4)** батырмасын басқа күйге белгілеңіз.

**Ескерту:** Қапшықтағы тректердің максималды саны: 999. Қапшықтардың максималды саны: 255.

**Ескерту:** Берілген құрылғы HDD дискілерін және кейбір MP3 плеерлерді жаңғырта алмайды.

### ТЫҢДАҒЫШТАРДЫ ҚОСУ

(3,5мм) ұясы (3) 16-32 Ом кедергісі бар тыңдағыштарды қосуға арналған. Тыңдағыштарды қосқан кезде енгізілген үндеткіштерден жаңғырту автоматты тоқтайды.

### AUX IN ұясы

Сыртқы құрылғыны қосу үшін AUX IN ұясын (2) пайдаланыңыз. Сыртқы құрылғыны 3,5 mm Jack - 3,5 mm Jack аудиобауының көмегімен қосыңыз (жеткізілім жинағына кірмейді).

### ҚЫЗМЕТ КӨРСЕТУ ЖӘНЕ ҚАУІПСІЗДІК ШАРАЛАРЫ

#### Қауіпсіздік шаралары және жалпы қызмет көрсету

- Құрылғыны түзу бетке еңкейтпей орнатыңыз.
- Құрылғыға, қоректендіру элементтеріне немесе CD-дискілерге ылғалдың, жаңбырдың, құмның немесе қыздырғыштардың тым жоғары температурасының немесе күн сәулелерінің әсерін тигізбеңіз
- Құрылғы жұмыс істеп тұрғанда оны бүркеп жаппаңыз. Құрылғы қызып кетпеуі үшін, желдетілетін саңылаулар мен көрші беттердің арасында 6 дюймнен (15 см) аз емесе еркін кеңістік болуы керек.
- Құрылғының механикалық бөліктерінде автоматты майланатын подшипниктер бар; оларды майлау қажет емес.
- Құрылғыны тазалау үшін жұмсақ құрғақ матаны пайдаланыңыз. Спирт, аммиак, бензин немесе қажайтын бөлшектері бар тазалайтын заттарды пайдаланбаңыз, себебі олар құрылғы корпусын бүлдіре алады.

#### CD-ойнатқыш және CD-дискілерді сақтау

- CD-ойнатқыштың линзасына қолыңызды тигізбеңіз!

- Қоршаған ауа температурасы қатты өзгерген кезде CD-ойнатқыш линзасында конденсат пайда бола алады. Мұндай жағдайда дискіні жаңғырту мүмкін болмайды. Линзаны тазалауға тырыспаңыз. Магнитофонды жылы бөлмеде ылғал жойылғанға дейін қалдырыңыз.
- Дискілерге арналған бөлікке шаң жиналмау үшін CD-дискілерге арналған бөлікті ерқашан жабыңыз. дискіге арналған бөлікті тазалау үшін, оны жұмсақ құрғақ матамен сүртіңіз.
- CD-дискіні тазалау үшін, оны тіке сызықпен ортасынан шетіне қарай қылшығы жоқ матамен сүртіңіз. Тазалағыш заттарды пайдаланбаңыз, себебі олар дискіні бүлдіре алады.
- Ешқашан CD-дискіге жазбаңыз және оған ешқандай жапсырмаларды жабыстырмаңыз.

### ҚҰРЫЛҒЫНЫ ТАЗАЛАУ

- Тұтануды немесе электр тоғы соққысын борлдырмау үшін, тазалау алдында құрылғыны желіден ажыратыңыз.
- Құрылғының бетін шаңды жинауға арналған шүберектің көмегімен тазалауға болады. Пластик бөліктерді тазалаған кезде сақ болыңыз.
- Колонка корпустары ластанған кезде шаңды жинауға арналған шүберекті пайдаланыңыз. Колонка корпустарын тазалау үшін сепкіш жылтыратқыштарды пайдаланбаңыз.
- Алдыңғы тақта ластанған кезде әлсіз сабын ерітіндісінде сәл ылғалданған матаны пайдаланыңыз. Ешбір жағдайда қажайтын заттар мен жылтыратқыштарды пайдаланбаңыз, себебі олар құрылғының бетін бүлдіреді.

*Сақ болыңыз!*

*Тазалау уақытында судың немесе басқа сұйықтықтардың құрылғы ішіне тиюне жол бермеңіз.*

### АҚАУЛАРДЫ ІЗДЕУ ЖӘНЕ ЖОЮ

Ақаулардың немесе бөгеттердің себебі болып көбінесе дұрыс пайдаланбау есептеледі. Егер сіз құрылғының бір нәрсесі дұрыс емес деп есептесеңіз, ақаулықтың барлық мүмкін себебін берілген кесте бойынша тексеріңіз.

## ҚАЗАҚ

Егер сізге ақаулықтарды жою мүмкін болмағанда, жөндеу жұмыстарын орындау үшін ең жақын тел туындыгерлес қызмет көрсету орталығына немесе делдалға хабарласыңыз.

Ақаулық	Мүмкін себебі	Жойылуы
<b>Радио</b>		
FM немесе AM ауқымындағы радиостанцияларды тыңдау кезіндегі шуыл	Станция бапталмаған	Станция бапталмаған
	FM ауқым: антенна шығарылмаған	Антеннаны шығарыңыз
	AM ауқым: құрылғы қабылдау аймағынан тыс орналасқан	Орналастырудың басқа тәсілдерін тексеріңіз
Магнитола FM немесе AM ауқымындағы радиостанцияларды жаңғыртпайды	FUNCTION ауыстырғышы RADIO күйіне белгіленбеген	FUNCTION ауыстырғышы RADIO күйіне белгілеңіз
	Дыбыстың төмен деңгейі	Дыбыс деңгейін көтеріңіз
<b>Диск</b>		
Диск жаңғыртылмайды	FUNCTION ауыстырғыш AUX(MP3) күйіне белгіленбеген	FUNCTION ауыстырғыш AUX(MP3) күйіне белгілеңіз
	Диск жоқ немесе дұрыс орнатылмаған	Дискінің орнатылуының дұрыстығын тексеріңіз, ол жапсырмасымен жоғары орнатылуы керек
Жеке тректер жаңғыртылмайды	Дискінің сызаттары бар немесе кірлеген	Дискіні жұмсақ матамен сүртіңіз, бүлінген дискілерді пайдаланбаңыз
Диск орнатылған, бірақ тректер жаңғыртылмайды	Диск дұрыс орнатылмаған	Дискінің орнатылуының дұрыстығын тексеріңіз, ол жапсырмасымен жоғары орнатылуы керек
	Дискінің сызаттары бар немесе кірлеген	Дискіні жұмсақ матамен сүртіңіз, бүлінген дискілерді пайдаланбаңыз
	Дискінің сәйкес келмейтін өлшемі	Сәйкес өлшемдегі дискілерді пайдаланыңыз
<b>Таспаларды жаңғырту</b>		
Дыбыс жоқ	FUNCTION ауыстырғышы TAPE(OFF) күйіне белгіленбеген	FUNCTION ауыстырғышы TAPE(OFF) күйіне белгілеңіз
	Дыбыс деңгейі минимумда тұр	Қажетті дыбыс деңгейін орнатыңыз
Дыбыстың төмен сапасы	Бастиектер ластанған	Таспалық деканың бөліктерін тазалаңыз.
Жаңғырту жылдамдығы тұрақсыз	Жазу ескі немесе пленка жұқарған	Таспаны айырбастаңыз
	Бастиектер және лентатартатын құрылғы ластанған	Таспалық деканың бөліктерін тазалаңыз.



<b>Таспаға жазу</b>		
Жазу жұмыс істемейді	Жазудан қорғау тілшелері сынған	Тілшенің орнына жапсырғыш лента бөлігін жабыстырыңыз
Дыбыстың төмен сапасы	Жазу бүлінген немесе бастиек ластанған	Таспаны айырбастаңыз немесе таспалық деканың бөліктерін тазалаңыз
<b>USB-құрылғы</b> жаңғыртылмайды не воспроизводится	USB- құрылғыдан жаңғырту режимі қосылмаған	USB- құрылғыдан жаңғырту режимін қосыңыз
	USB-құрылғы ағытпаға салынбаған немесе онда MP3 файлдар жоқ	USB-құрылғы ағытпаға салынғанын тексеріңіз және онда MP3 файлдар бар екеніне көз жеткізіңіз

**Техникалық сипаттамалары**

Қоректендіру	220 В ~ 50 Гц
Қоректендіру элементерінен жұмыс істеу	UM-2(«С») x 8
Шығу қуаты	2 x 2,5 Вт
Үндеткіштер	2 x 8 Ом
Жиіліктер ауқымы	AM: 530 – 1600 кГц FM: 64 – 108 МГц
Дискіні жүктеу	Жоғарғы

*Өндіруші өз артынан құқықты қалдырады аспаптың сипаттамаларды өзгертуге алдына ескертпесіз.*

**Прибордын қызмет - 5 дейін**

**Гарантиялық міндеттілігі**

Гарантиялық жағдайдағы қаралып жатқан бөлшектер дилерден тек сатып алынған адамға ғана беріледі. Осы гарантиялық міндеттілігіндегі шағымдалған жағдайда төлеген чек немесе квитанциясын көрсетуі қажет.





*Бұл тауар EMC – жағдайларға сәйкес келеді негізгі Міндеттемелер 89/336/EEC Дерективаның ережелеріне енгізілген Төменгі Ережелердің Реттелуі (73/23 EEC)*

## CD/MP3 VA BIR KASSETALI STEREOMAGNITOLA

### FOYDALANISH YO'RIQNOMASI

Buyumni ulash, undan foydalanish va uni sozlashdan avval ushbu yo'riqnomani diqqat bilan o'qib chiqing. Bu qo'llanmada keltirilgan buyumdan foydalanish yuzasidan barcha ogohlantirishlarga va tavsiyalarga amal qilish lozim.

Bu qo'llanmani saqlab qoling, keyinchalik undan ma'lumot uchun yig'ma materiallar sifatida foydalaning.

	<b>Diqqat</b> Elektr tokini bilan shikastlanish xavfi mavjud Ochilmasin	
<p>Ogohlantirish: Yong'in yoki elektr tokning zarbasiga uchramaslik uchun buyumni yomg'ir yoki namlik ta'sirida qoldirmang. Elektr zarbasining xavfiga uchramaslik uchun buyumning korpusini o'zingiz mustaqil ochmang.</p> <p>Servis xizmat ko'rsatishni faqat servis markazlarining malakali mutaxassislari amalga oshirishi lozim.</p>		

#### Diqqat



Teng tomonli uchburchak ichidagi yashin belgisi foydalanuvchiga buyum ichidagi xavfli kuchlanish borligini ko'rsatadi, u elektr tokining zarbasi tufayli shikastlanishga olib kelishi mumkin

#### Xavfli



Teng tomonli uchburchak ichidagi undov belgisi foydalanuvchiga buyumdan foydalanish yo'riqnomasida muhim tavsiyalar borligini ko'rsatadi.

## CLASS 1 LASER PRODUCT

Ushbu buyum 1 SINF TOIFASIDAGI LAZER MAHSULOT kabi tasniflanadi. Bunga oid tegishli yoriq buyumning orqa panelida joylashgan va buyum lazer nurlaridan foydalanishini bildiradi. Buyum ochilmagan holda lazer nurlanishining imkoniyati mavjud emas. BUYUMGA XIZMAT KO'RSATISH FAQAT SERVIS MARKAZINING MALAKALI MUTAXASSISLARI TOMONIDAN AMALGA OSHIRILISHI LOZIM.

## EHTIYOT CHORALARI

### Elektr ta'minot manbalariga ulanish

Elektr ta'minot tarmogidagi kuchlanish buyumning ish kuchlanishiga mos kelishini tekshiring.

Yong'in yoki elektr tokining zarbasi bilan shikastlanish kelib chiqmasligi uchun ushbu buyumni yuqori namlik sharoitlarida (vannalarga yaqin joyda, suvli idishlar, oshxona chig'anoqlari, kir yuvish mashinalari yonida, suzish havzalari yonida, zax yerto'lalar ichida va shu kabi joylarda) joylashtirmang. Buyumga suyuqlik tomchilari yoki sachragan tomchilar tushishiga yo'l qo'ymang. Buyumni suvga botirish qat'iy tanqiqlanadi.

Rozetkalar yoki uzun simli ulagichlarga ortiqcha yuk tushishiga yo'l qo'ymang, chunki bu yong'inga yoki elektr tokining zarbasi bilan shikastlanishga olib kelishi mumkin.

Ushbu buyumni nosozlik yuz bergan holda tarmoq simining vilkasini rozetkadan darhol olish mumkin bo'lgan tarzda o'rnatish. Buyumni tekis yuzaga qo'yib joylashtiring.

Buyumni chaqmoq va momaqaldiroq paytida qo'shimcha himoyalash uchun, shuningdek undan uzoq vaqt mobaynida foydalanmaydigan bo'lsangiz, uani elektr tarmog'ining rozetkasidan olib o'chiring. Bu chaqmoq urishining oqibatida yoki elektr tarmog'ida kuchlanish sakrashi tufayli buyumning ishdan chiqishining oldini oladi.

Tarmoq simini rozetkadan olib o'chirish uchun bevosita tarmoq vilkasidan ushlab o'chiring, hech bir holda simdan ushlab tortmang.

Elektr tokining zarbasiga uchramaslik uchun buyumning korpusinimustaqil holda o'zingiz ochmang. Buyumni o'zingiz ta'mirlamang va unga o'zgarishlar kiritmang. Servis xizmatlarni ko'rsatishni faqat servis markazlarining malakali mutaxassislari amalga oshirishi mumkin.

Buyumni yetarli shamollatish imkoniyati bo'lgan joylarda o'rnatish. Shamollatish tuynukchalarining ustini yopmang.

Buyumni issiqlik manbalariga yaqin joyda, masalan, radiatorlar, elektr isitkichlar, duxovkalar yoki issiqlik manbalari bo'lgan boshqa buyumlar va moslamalarning (jumladan kuchaytirgichlarning) yonida, shuningdek to'g'ridan-to'g'ri quyosh nurlari tushadigan, chang o'ta ko'p bo'lgan yoki mexanik zarbalar tushishi imkoniyati mavjud bo'lgan joylarda joylashtirmang.

Agar yoqilgan buyum yonida bolalar yoki imkoniyatlari cheklangan kishilar bo'lganda alohida ehtiyotkor bo'lib, ularga diqqat qiling, ularni qarovsiz qoldirmang.

Buyumning ustiga ochiq alangan manbalarini, masalan, shamlarni qo'ymang.

Buyumning korpusidagi tuynukchalar orqali biror-bir begona jismlarning ichiga tushishiga yo'l qo'ymang, bu buyumning yonib ketishiga va elektr

tokining zarbasi bilan shikastlanishga olib kelishi mumkin. Agar bu hol yuz bergan bo'lsa, buyumni tarmoqdan olib o'chiring va undan keyingi foydalanish uchun servis markaziga murojaat qiling.

Quloqliklar orqali katta ovoz balandligidagi tovushlarni tinglamang. Shifokorlar quloqliklar orqali uzoq to'xtovsiz tinglashni tavsiya etmaydi.

### Ta'mirlashni talab etuvchi shikastlanishlar

Quyida tasvirlab berilgan vaziyatlarda buyumni tarmoqdan olib o'chirib, buyumni ta'mirlash uchun malakali xodimlarga murojaat qilish lozim:

- Tarmoq simi yoki vilkasi shikastlangan.
- Buyum ichiga begona jismlar tushib qolgan.
- Buyum yomg'ir ostida qoldi yoki uning ustiga suv to'kildi.
- Buyum normal ravishda ishlamayapti.
- Buyum tushib ketdi yoki boshqacha biror holda shikastlangan edi.
- Buyumning ishlashida oshkora o'zgarishlar sezilib turibdi.

### Buyumni parvarish qilish

Tozalashdan avval buyumni rozetkadan olib o'chiring. Buyumni tozalash uchun mayin nam mato bo'lagidan foydalaning. Bu maqsadda suyuq yoki aerezolli tozalash vositalaridan foydalanish taqiqlanadi.

### Disklarni parvarish qilish

Darz ketgan yoki shakli o'zgarib ketgan disklardan foydalanmang, bu hol buyumning buzilishiga olib kelishi mumkin.

Diskni faqat chetidan ushlab ishlating. Diskning ish yuzalariga tegmang. Diskning ish yuzasidagi chang, tirlangan joylar yoki barmoq izlari uning ishdan chiqishiga olib kelishi mumkin.

Disklarni to'g'ridan-to'g'ri quyosh nurlarining ta'sirida, yuqori harorat va namlikning ta'sirida qoldirmang. Ishlatishdan keyin diskni saqlash uchun g'ilofining ichiga solib qo'ying.

Diskning ish yuzasini vaqt-vaqti bilan markazidan chetlariga qarab artib turing.

### Ishni boshlashdan avval

Magnitolani o'ramidan chiqarib oling. OPEN /CLOSE tugmasini bosib va foydalanishni boshlashdan avval himoya qiluvchi qatlamni chiqarib oling.

Magnitolaning ustki va oldingi tarafidagi magnitolaning ishiga xalal berishi mumkin bo'lgan barcha reklama yorliqlarini olib tashlang.

### ASBOBNING TA'RIFI

1. Ovoz balandligi darajasini sozlash dastasi **VOLUME**
2. Tashqi moslamalarni ulash uchun uyasi **AUX IN**
3. Quloqliklarni ulash uchun uyasi
4. Buyumning ishlash rejimlarini o'zgartirish dastagi **FUNCTION** (MP3(AUX)/OFF/RADIO)
5. Disklar bo'linmasini ochish uchun tuynukcha **OPEN/CLOSE**
6. Diapazonni o'tkazish dastakchasi **BAND** (FM ST. /FM/AM)
7. **USB** – kirish
8. **FM** –antenna
9. Radiostantsiyalarni sozlash dastasi **TUNING**
10. Bataryalar bo'linmasining qopqog'i
11. Asbobni elektr tarmog'iga ulash uchun uyasi
12. Qayta tinglash /to'xtatib turish ► **II** qayta tinglash va **USB** rejimiga o'tish tugmasi **PLAY/PAUSE/USB**
13. Qayta tinglashni to'xtatish tugmasi **STOP** ■
14. Stereo signalni tinglash ishining indikatorini **FM ST.**
15. Indikator **BASS**
16. Masofadan boshqarish pultining **IQ** signallarini qabul qilish moslamasi
17. Avvalgi trekka o'tish tugmasi **◀◀**
18. Yozuvlarni qayta tinglashni dasturlashtirish tugmasi **PROG**
19. **BASS** tugmasi
20. **REP/RAN** tugmasi
21. Keyingi trekka o'tish tugmasi **▶▶**

### Masofadan boshqarish pulti

22. Qayta tinglashni dasturlashtirish tugmasi **PROGRAM**
23. 10 ta trekka orqaga qaytish yoki avvalgi papkaga qaytish tugmasi **-10/FOL-**
24. 10 ta trekka oldinga o'tish yoki keyingi papkaga o'tish tugmasi **+10/FOL+**
25. Qayta tinglash ► **II** / qayta tinglashni to'xtatib turish **PLAY/PAUSE** va **USB** rejimiga o'tish tugmasi
26. Avvalgi trekka o'tish va treknini izlash tugmasi **◀◀/▶▶**
27. Keyingi trekka o'tish va treknini izlash tugmasi **◀◀/▶▶**
28. Qayta tinglashni to'xtatish tugmasi **STOP**
29. **REPEAT/RANDOM** tugmasi
30. Ovoz balandligi darajasini kamaytirish tugmasi **VOL-**
31. Ovoz balandligi darajasini ko'paytirish tugmasi **VOL+**

**Eslatma:** Masofadan boshqarish pulti radioni tinglash rejimida ishlamaydi.

## Ta'minotga ulanish

### Tarmoqdan ta'minotga ulanish

Buyumni elektr tarmog'iga ulashdan avval elektr tarmog'idagi kuchlanish buyumning ish kuchlanishiga mos ekanligiga ishonch hosil qiling.

1. Magnitolani tarmoqqa ulash uchun tarmoq simining bitta shtekerini tegishli uyasiga kiriting (12), ikkinchi uchini esa rozetkaga kiriting. Ishlash rejimlarini o'zgartirish dastakhasini **FUNCTION** (4) kerakli ishlash rejimiga AUX (MP3), TAPE(OFF) yoki RADIO holatiga o'tkazib o'rnatib.
2. Buyumni o'chirish uchun ishlash rejimlarini o'zgartirish dastakhasini **FUNCTION** (4) TAPE(OFF) holatiga o'tkazib o'rnatib.

**Eslatma:** Statik elektr yig'ilishi buyumning ishidagi buzilishlarga olib kelishi mumkin. Bu holda buyumni ta'minot manbalaridan uzib chiqarib olib, o'chiring, keyin esa buyumni yana yoqing. Agar muammo hal etilmasa, Sizga eng yaqin bo'lgan servis markaziga murojaat qiling.

### Batareykalardan ta'minotga ulanish

1. Magnitolani elektr tarmog'idan o'chiring.
2. Magnitolaning orqasidagi batareyalar bo'linmasining qopqoqchasini (10) o'q ko'rsatib turgan yo'nalishda yopqichlarni bosib, oching.
3. Batareyalarning bo'linmasiga ularning qutblari tartibiga rioya qilgan holda 8 dona «C» (UM 2) 1,5V batareyalarini (etkazib berishning to'plamiga kirmaydi) qo'yib o'rnatib.
4. Batareyalar bo'linmasining qopqoqchasini (10) yoping.

**Diqqat!** Batareyalarning oqib ketishi inson shikastlanishi yoki buyumning buzilishiga olib kelishi mumkin. Bunga yo'l qo'ymaslik uchun quyida keltirilgan yo'riqnomalarga amal qiling:

- batareyalarni to'g'ri o'rnatib;
- Buyum zoda vaqt mobaynida ishlatilmaydigan holda batareykalarni olib qo'yib;
- batareykalarni qayta zaryadlamang, ularni qismlarga ajratmang, yuqori harorat ta'sirida qoldirmang;
- batareykalarni o'z vaqtida almashtiring.

**Eslatma:** Buyum kutish rejimida bo'lganda u baribir energiyani site'mol qiladi, buyumni to'liq

o'chirish uchun tarmoq simini rozetkadan chiqarib oling va batareykalarni batareyalar bo'limidan chiqarib oling.

## ASOSIY FUNKTSIYALARI

### Ovoz balandligi darajasini sozlash

Kerakli ovoz balandligi darajasini o'rnatish uchun ovoz balandligi darajasini sozlash dastasidan (1) foydalaning.

### Past chastotalarni kuchaytirish

Past chastotalar eshitiilishini kuchaytirish uchun BASS (20) tugmasini bir marta bosib, bunda indikator (15) yonadi.

### Radiostantsiyalarni qabul qilish

1. **FUNCTION** Ishlash rejimlarini o'tkazish dastakhasini (4) **RADIO** holatiga o'tkazib o'rnatib.
2. Diapazonlarni o'tkazish dastakhasini **BAND** (7) tegishli holatiga o'tkazib o'rnatib, o'zingiz istagan diapazonni tanlang: FM, AM yoki FM ST (FM stereo). Stereosignalni uzatuvchi stantsiyaga sozlanganda FM ST indikatorini yonadi (15).
3. Radiostantsiyalarni sozlash uchun sozlagich **TUNING** (10) ni aylantirib, o'zingiz istagan radiostantsiyani tanlang.
4. Tinglashni tugatganingizdan so'ng ishlash rejimlarini o'tkazish dastakhasini **FUNCTION** (4) **TAPE (OFF)** holatiga o'tkazib o'rnatib.

### Antenna

FM diapazonida signalni eng yaxshi qabul qilish uchun antennani to'liq ochib chiqarib, uni kerakli burchakda qaratib o'rnatib.

AM diapazonida signalni qabul qilish uchun magnitolada ichki o'rnatilgan antenna bor, AM diapazonida signalni eng yaxshi qabul qilish uchun magnitolani joylashtirishning bir nechta turlarini sinab ko'ring.

### CD disklarni qayta tinglash

Diskni yuklash – Diskni qo'yish bo'linmasining qopqog'ini oching. Diskni o'rnatib va qopqog'ini yoping.

Diskni chiqarib olish – Qayta tinglash to'xtatilganidan keyin disklar bo'linmasining qopqog'ini oching va diskni chiqarib oling. Diskni g'ilofining ichiga solib qo'yib. Disklar bo'linmasining ichiga chang tushib qolmasligi uchun uning qopqog'ini doimo yopiq holda qoldiring. Diskni qayta tinglamayotgan

bo'lsangiz, doimo uni disklar bo'linmasidan chiqarib oling.

1. Magnitolani elektr tarmog'iga ulab yoqing.
2. CD diskarni qayta tinglash rejimini tanlang. Buning uchun **FUNCTION** (4) ishlash rejimlarini o'tkazish dastakchasini MP3(AUX) holatiga o'tkazib o'rning.
3. Disklar bo'linmasida disk bo'lmaganda yoki disk shikastlangan bo'lsa, SK-displeyda «---» belgilari aks ettiriladi.
4. Diskni qo'yish bo'linmasining qopqog'ini oching. Diskni o'rning va qopqog'ini yoping. Diskning to'g'ri holda - yorlig'ini tepaga qilib o'rnatilganligiga ishonch hosil qiling.
5. SK-displeyda treklarning umumiy soni aks ettiriladi.

**Eslatma:** Ushbu buyum CD-R va CD-RW disklarini qayta eshittirishi mumkin.

### Qayta tinglash

Qayta tinglashni to'xtatish rejimida **PLAY/PAUSE** tugmasini bosib, diskni qayta tinglash boshlanadi va displeyda qayta tinglanadigan trekning raqami hamda «PLAY» yozuvi aks ettiriladi.

### Paufa

Qayta tinglashni to'xtatib turish uchun qayta tinglash rejimida **PLAY/PAUSE** tugmasini bosib, SK-displeyda «PLAY» yozuvi yonib-o'chib turadi. Qayta tinglashni tiklash uchun **PLAY/PAUSE** tugmasini yana bir marta bosib.

### Qayta tinglashni to'xtatish

Qayta tinglashni to'xtatish uchun **STOP** ■ tugmasini bosib. SK-displeyda treklarning umumiy soni aks ettiriladi.

### Treknig boshiga, avvalgi trekka va keyingi trekka o'tish.

1. Qayta eshittirilayotgan treknig boshiga o'tish uchun qayta tinglash rejimida **⏮** tugmasini bir marta bosib.
2. Keyingi trekka o'tish uchun **⏭** tugmasini bir marta bosib.
3. Avvalgi trekka o'tish uchun qayta tinglash rejimida **⏮** tugmasini ikki marta bosib.
4. Agar qayta tinglash rejimi to'xtatilgan bo'lsa, u holda avvalgi/keyingi trekka o'tish uchun **⏮/⏭** tugmalarini bir marta bosib.

### Treknig ma'lum qismiga o'tish

Treknig ma'lum qismiga oldinga yoki orqaga yo'nalishida tezlashtirilgan o'tish uchun **⏮/⏭** tugmalarini bosib va ushlab turing (**⏮/⏭**) tugmalari bosib turilgan holda ovoz qayta eshittirilmaydi).

Avvalgi/keyingi papkaga o'tish uchun masofadan boshqarish pultidagi **-10/FOL-** yoki **+10/FOL+** tugmasini bosib va ushlab turing.

O'zingiz tanlagan papkada kerakli treknig tanlash uchun **⏮/⏭** tugmalaridan foydalaning.

### Treknig yoki diskni qayta tinglashni takrorlash

1. Qayta tinglash rejimida bir treknig qaytarish uchun **REP/RAN** tugmasini bir marta bosib, SK-displeyda «REP» indikator yonib turadi.
2. Disklardagi barcha treklarnig takrorlash uchun **REP/RAN** tugmasini ikki marta bosib, SK-displeyda «REP ALL» belgilari aks ettiriladi.
3. Disklardagi treklar albomini takrorlash uchun **REP/RAN** tugmasini uch marta bosib, SK-displeyda «REP ALBUM» belgilari aks ettiriladi.

**Eslatma:** Ushbu funktsiyalar faqat qayta tinglash rejimida yoki pauza rejimida ishlashi mumkin.

### Treklarnig tasodifiy tartibda qayta tinglash

1. Diskdagi barcha treklarnig tasodifiy tartibda qayta tinglash uchun qayta tinglash rejimiga kirib, **REP/RAN** tugmasini to'rt marta bosib, SK-displeyda «PLAY RANDOM» belgisi paydo bo'ladi.
2. Treklarnig tasodifiy tartibda qayta tinglashni bekor qilish uchun **REP/RAN** tugmasini yana bir marta bosib, tasodifiy tartibda qayta tinglashning indikator yonib «PLAY RANDOM» o'chadi.

### Eslatma:

Ushbu funktsiyalar faqat qayta tinglash rejimida yoki pauza rejimida ishlashi mumkin.

### QAYTA TINGLASHNI DASTURLASHTIRISH

Siz treklarnig o'zingiz istalgan tartibda qayta tinglashni dasturlashtirishingiz mumkin.

CD yoki MP3-diskni qayta tinglash rejimida:

1. Diskni qayta tinglash to'xtatilganida, **PROG** tugmasini bir marta bosib. SK-displeyda dasturlashtirishdagi birinchi raqamli treknig raqami «P01» va dasturlashtirish rejimig yonib-o'chib turuvchi belgisi «PROGRAM» aks ettiriladi.

2. «**◀**» yoki «**▶**» tugmalarini ketma-ket bosib, o'zingizga kerakli trekni tanlang.
3. Tanlangan trekni xotirada saqlash uchun **PROGRAM** tugmasini bosing. Dasturlashtiriladigan trekning raqami «R02» bo'lib o'zgaradi.
4. Keyingi trekni dasturlashtirish: «**◀**» yoki «**▶**» tugmalarini ketma-ket bosib, keyingi trekni tanlang. Keyin tanlangan trekni buyumning xotirasida saqlash uchun **PROG** tugmasini bosing.
5. Dasturlashtirilgan treklarni qayta tinglash uchun **PLAY/PAUSE** tugmasini bosing.
6. Dasturlashtirilgan qayta tinglashni bekor qilish uchun **STOP** tugmasini bosing yoki diskni qo'yish bo'linmasining qopqog'ini oching, yoki **FUNCTION** ishlash rejimlarini o'tkazish dastagini boshqa holatga o'tkazing.

***Eslatma:** Siz 99 tagacha treklarni dasturlashtirishingiz mumkin.*

## **MR3 fayllarni USB tashuvchidan qayta tinglash**

Mazkur buyum MP3 formatida yozilgan disklarning ko'pchiligini qayta eshittirishi mumkin, lekin ushbu diskni yozish paytida ishlatilgan dasturiy ta'minotning sozlanishlari tufayli ushbu disk yozuvlarini qayta eshittirilmaydigan holatlar ham bo'lishi mumkin. (Masalan, diskning finallashtirilishi mavjud emasligi tufayli.)

1. Magnitolani yoqing. **FUNCTION** ishlash rejimlarini o'zgartirish dastakchasini **AUX(MP3)** holatiga o'tkazing.
2. USB rejimiga o'tish uchun magnitoladagi **PLAY/PAUSE** tugmasini bosing va ushlab turing.
3. USB moslamasini tegishli uyaga kiriting. USB tashuvchini o'qish boshlanadi, shundan keyin displeyda treklarning umumiy soni aks ettiriladi.
4. Agar USB uyasiga USB moslama ulanmagan bo'lsa, SK-displeyda «NOD» belgilari aks ettiriladi.
5. USB rejimidan chiqish uchun xuddi avvalgidek **PLAY/PAUSE** tugmasini bosing va ushlab turing.
6. 10 ta trekka avvalga yoki keyinga o'tish uchun **-10/FOL-** i **+10/FOL+** tugmalarini bosing (albomni tanlash uchun tugmalarni bosing va ushlab turing).
7. «**◀**» yoki «**▶**» tugmalari yordamida o'zingiz istagan trekni tanlang.

8. Trekni oldinga yoki orqaga tezlashtirilgan ravishda qayta tinglash uchun «**◀/▶**» tugmalarini bosing va ushlab turing.
9. Tanlangan trekni qayta tinglash uchun **PLAY/PAUSE** tugmasini bosing.
10. Qayta tinglashni to'xtatib turish uchun **PLAY/PAUSE** tugmasini bosing.
11. Qayta tinglashni tiklash uchun **PLAY/PAUSE** tugmasini yana bir marta bosing.
12. Qayta tinglashni to'xtatish uchun **STOP** tugmasini bosing.

***Eslatma:** Mazkur moslama HDD disklardan va ba'zi MP3 pleyerlardan qayta tinglashni amalga oshirmaydi.*

## **Trekni yoki papkani (albomni) qayta tinglashni takrorlash**

1. Bitta trekni takrorlash uchun USB ni qayta tinglash rejimida **REP/RAN** tugmasini bir marta bosing, eshittirilayotgan trek doimo takrorlanib turadi.
2. Barcha treklarni takrorlash uchun USB ni qayta tinglash rejimida **REP/RAN** tugmasini ikki marta bosing, barcha treklar doimo takrorlanib turadi.
3. Bitta papkani takrorlash uchun USB ni qayta tinglash rejimida **REP/RAN** tugmasini uch marta bosing, papkadagi barcha treklar doimo takrorlanib turadi.

***Eslatma:** Ushbu funktsiyalar faqat qayta tinglash rejimida yoki pauza rejimida ishlashi mumkin.*

## **Tasodifiy tartibda qayta tinglash**

1. Treklarni tasodifiy tartibda qayta tinglash uchun **REP/RAN** tugmasini to'rt marta bosing. SK-displeyda «RANDOM» belgilari aks ettiriladi.
2. Treklarni tasodifiy tartibda qayta tinglashni bekor qilish uchun **REP/RAN** tugmasini yana bir marta bosing, «RANDOM» belgisi yo'qoladi.

***Eslatma:** Ushbu funktsiyalar faqat qayta tinglash rejimida yoki pauza rejimida ishlashi mumkin.*

## **QAYTA TINGLASHNI DASTURLASHTIRISH**

Siz treklarni o'zingiz istalgan tartibda qayta tinglashni dasturlashtirishingiz mumkin.

1. Magnitolani yoqing. **FUNCTION** ishlash rejimlarini o'zgartirish dastakchasini **AUX(MP3)** holatiga o'tkazing.

2. USB moslamalarini qayta tinglash rejimiga o'tish uchun magnitoladagi **PLAY/PAUSE/USB** tugmasini bosing va ushlab turing.
3. Qayta tinglash to'xtatilganida, **PROG** tugmasini bir marta bosing. SK-displayda dasturlashtirishdagi birinchi raqamli trekning raqami «P01» va dasturlashtirish rejimining yonib-o'chib turuvchi belgisi «PROGRAM» aks ettiriladi.
4. **⏮** yoki **⏭** tugmalarini ketma-ket bosib, o'zingizga kerakli trekni tanlang.
5. 10 ta trekka avvalga yoki keyinga o'tish uchun **-10/FOL-** i **+10/FOL+** tugmalarini bosing (albomni tanlash uchun tugmalarni bosing va ushlab turing).
6. Tanlangan trekni xotirada saqlash uchun **PROGRAM** tugmasini bosing. Dasturlashtiriladigan trekning raqami «R02» bo'lib o'zgaradi.
7. Har bir keyingi trekni dasturlashtirish uchun 3-6 amallarni takrorlang. Siz ko'pi bilan 99 tagacha treklarni dasturlashtirishingiz mumkin.
8. Dasturlashtirilgan treklarni qayta tinglash uchun **PLAY/PAUSE** tugmasini bosing.

**Eslatma:** Dasturlashtirilgan qayta tinglashni to'xtatib turish uchun **STOP** tugmasini bosing. Dasturlashtirilgan qayta tinglashni tiklash uchun **PLAY/PAUSE** tugmasini bosing. Dasturlashtirilgan qayta tinglashni bekor qilish uchun **STOP** tugmasini bosing yoki diskni qo'yish bo'linmasining qopqog'ini oching, USB-moslamani uning tegishli uyasidan chiqarib oling, yoki **FUNCTION (4)** ishlash rejimlarini o'tkazish dastagini boshqa holatga o'tkazing.

**Eslatma:** Papkadagi treklarning maksimal soni: 999. Papkalarining maksimal soni: 255.

**Eslatma:** Mazkur moslama HDD disklardan va ba'zi MP3 pleyerlardan qayta tinglashni amalga oshirmaydi.

### QULOQLIKLARNI ULASH

Maxsus uya (3,5mm) (3) qarshiligi 16-32 Om bo'lgan quloqliklarni ulash uchun mo'ljallangan. Ichki qurilgan dinamiklardan ovozning eshittirilishi quloqliklar ulangan holda avtomatik ravishda to'xtatiladi.

### AUX IN uyasi

Tashqi moslamani ulash uchun AUX IN (2) uyasidan foydalaning. Tashqi moslamalarni

3,5 mm Jack - 3,5 mm Jack audiokabelining yordamida ulashingiz mumkin (etkazib berish to'plamiga kirmaydi).

### XIZMAT KO'RSATISH VA XAVFSIZLIK QOIDALARI

#### Ehtiyot choralari va umumiy xizmat ko'rsatilishi

- Buyumni tekis qattiq yuzaning ustiga, u yoniga og'maydigan tarzda o'rnatib.
- Buyumni, uning ta'minat elementlarini yoki CD-disklarni namlik, yomg'ir, qum yoki isitgichlarning ta'sirida o'ta yuqori harorat, yoki to'g'ridan-to'g'ri quyosh yorug'ligi tushishi ta'sirida qoldirmang.
- Magnitofon ishlayotgan paytida uning ustini yopmang. Buyum o'ta qizib ketmasligi uchun shamollatish tuynuklari va yonidagi yuzalar orasida kamida 6 dyuym (15 sm) bo'sh masofa qoldirilgan bo'lishi lozim.
- Buyumning mexanik qismlari tarkibida avtomatik moylanadigan podshipniklar mavjud; ularni moylash kerak emas.
- Buyumni tozalash uchun yumshoq quruq matodan foydalaning. Tarkibida spirt, ammiak, benzin yoki abraziv vositalar va zarralar bo'lgan tozalash vositalaridan foydalanmang. Chunki ular buyum korpusini shikastlashi mumkin.

#### CD-proigrivatel va CD-disklarni saqlash

- CD-proigrivatelning linzasiga tegmang
- Atrofdagi havoning harorati keskin farqlangan holda CD-proigrivatelning linzasi ustida kondensat paydo bo'lishi mumkin. Bunda diskni qayta tinglash mumkin bo'lmaydi. Linzani tozalashga urinmang. Magnitofonni iliq xonada, to ushbu namlik bug'lanib ketmaguncha qoldiring.
- Disklar uchun bo'linmaning ichiga chang kirmasligi uchun CD-disklar uchun bo'linma doimo yopiq holda bo'lishi lozim. Disklar bo'linmasini tozalash uchun, uni yumshoq quruq mato bilan arting.
- CD-diskni to'qalash uchun, uni markazidan chetlariga qarab to'g'ri chiziq bo'ylab yo'nalishda tuksiz yumshoq mato bilan arting. Tozalash vositalaridan foydalanmang, chunki ular ddiskni shikastlashi mumkin.
- Hech qachon CD-diskning ustida yozmang va unga hech qanday yopishtiriladigan yorliqlarni mustahkamlamang.

## **GB**

A production date of the item is indicated in the serial number on the technical data plate. A serial number is an eleven-unit number, with the first four figures indicating the production date. For example, serial number 0606xxxxxxx means that the item was manufactured in June (the sixth month) 2006.

## **RUS**

Дата производства изделия указана в серийном номере на табличке с техническими данными. Серийный номер представляет собой одиннадцатизначное число, первые четыре цифры которого обозначают дату производства. Например, серийный номер 0606xxxxxxx означает, что изделие было произведено в июне (шестой месяц) 2006 года.

## **UA**

Дата виробництва виробу вказана в серійному номері на табличці з технічними даними. Серійний номер представляє собою одинадцятизначне число, перші чотири цифри якого означають дату виробництва. Наприклад, серійний номер 0606xxxxxxx означає, що виріб був виготовлений в червні (шостий місяць) 2006 року.

## **KZ**

Бұйымның шығарылған мерзімі техникалық деректері бар кестедегі сериялық нөмірде көрсетілген. Сериялық нөмір он бір саннан тұрады, оның бірінші төрт саны шығару мерзімін білдіреді. Мысалы, сериялық нөмір 0606xxxxxxx болса, бұл бұйым 2006 жылдың маусым айында (алтыншы ай) жасалғанын білдіреді.

## **UZ**

Жиҳоз ишлаб чиқарилган муддат техник хусусиятлар кўрсатилган лавҳачадаги серия рақамида кўрсатилган. Серия рақами ўн битта сондан иборат бўлиб уларнинг биринчи тўрттаси ишлаб чиқарилган вақтни ифода этади. Мисол учун 0606xxxxxxx серия рақами жиҳоз 2006 йилнинг июн ойида (олтинчи ойда) ишлаб чиқарилганлигини билдиради.

