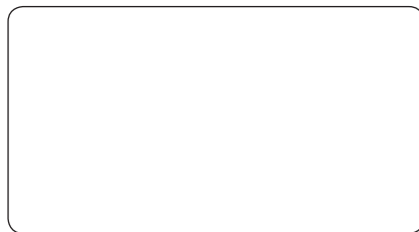




POWER  
TOOLS



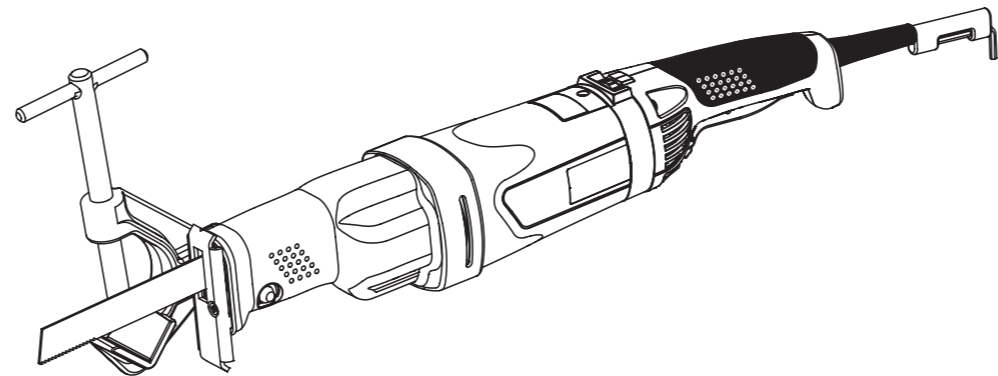
www.sparky.eu

142375V2

1603R01

© 2016 SPARKY

 <b>SPARKY</b> 		
<b>EN</b>	<b>SABRE SAW</b>	<b>1 – 10</b>
	Original instructions	
<b>DE</b>	<b>SÄBELSÄGE</b>	<b>11 – 20</b>
	Originalbetriebsanleitung	
<b>FR</b>	<b>SCIE SABRE</b>	<b>21 – 31</b>
	Notice originale	
<b>IT</b>	<b>SEGA A SCIABOLA</b>	<b>32 – 42</b>
	Istruzioni originali	
<b>ES</b>	<b>SIERRA DE SABLE</b>	<b>43 – 53</b>
	Instrucciones de uso originales	
<b>PT</b>	<b>SERRA DE SABRE</b>	<b>54 – 64</b>
	Manual original	
<b>PL</b>	<b>PIŁA SZABLASTA</b>	<b>65 – 75</b>
	Oryginalna instrukcja obsługi	
<b>RU</b>	<b>САБЕЛЬНАЯ ПИЛА</b>	<b>76 – 86</b>
	Оригинальная инструкция по эксплуатации	
<b>UK</b>	<b>ШАБЕЛЬНА ПИЛА</b>	<b>87 – 97</b>
	Оригінальна інструкція з експлуатації	
<b>BG</b>	<b>САБЛЕН ТРИОН</b>	<b>98 – 108</b>
	Оригинална инструкция за използване	



**HEAVYDUTY**

**1300W**

**TSB 1300C • TSB 1300CE**



**EN**

**DECLARATION OF CONFORMITY**

We declare under our sole responsibility that this product fulfills all the relevant provisions of the following directives and the harmonized standards: 2006/42/EC, 2004/108/EC (until April 19, 2016), 2014/30/EU (from April 20, 2016), 2011/65/EU, EN 60745-1, EN 60745-2-11; EN 55014-1, EN 55014-2, EN 61000-3-2, EN 61000-3-3. Technical file is stored at SPARKY ELTOS AG, Kubrat Str. 9, 5500 Lovetch, Bulgaria.

**DE**

**KONFORMITÄTSERKLÄRUNG**

Hiermit versichern wir unsere persönliche Haftung, dass dieses Erzeugnis allen einschlägigen Bestimmungen folgender Richtlinien und entsprechender harmonisierten Standards entspricht: 2006/42/EC, 2004/108/EC (bis 19. April 2016), 2014/30/EU (ab 20. April 2016), 2011/65/EU, EN 60745-1, EN 60745-2-11; EN 55014-1, EN 55014-2, EN 61000-3-2, EN 61000-3-3. Die technischen Unterlagen werden bei SPARKY ELTOS AG, Kubrat Str.9, 5500 Lovetch, Bulgarien, aufbewahrt.

**FR**

**DECLARATION DE CONFORMITE**

Nous déclarons sous notre responsabilité que ce produit satisfait à l'ensemble des dispositions pertinentes de la présente directives, respectivement aux normes harmonisées: 2006/42/EC, 2004/108/EC (jusqu'au 19 avril 2016), 2014/30/EU (à partir du 20 avril 2016), 2011/65/EU, EN 60745-1, EN 60745-2-11; EN 55014-1, EN 55014-2, EN 61000-3-2, EN 61000-3-3. Le dossier technique est conservé par SPARKY ELTOS AD, 9, rue Kubrat, Lovech, Bulgarie.

**IT**

**DICHIARAZIONE DI CONFORMITÀ**

Noi dichiariamo sotto la nostra personale responsabilità, che questo prodotto è in conformità a tutte le disposizioni pertinenti della presente direttive e norme armonizzate: 2006/42/EC, 2004/108/EC (fino al 19 aprile 2016), 2014/30/UE (dal 20 aprile 2016), 2011/65/EU, EN 60745-1, EN 60745-2-11; EN 55014-1, EN 55014-2, EN 61000-3-2, EN 61000-3-3. Il fascicolo tecnico viene custodito presso la SPARKY ELTOS AD, 5500 Lovech, via Kubrat n. 9, Bulgaria.

**ES**

**DECLARACIÓN DE CONFORMIDAD**

Declaramos bajo nuestra exclusiva responsabilidad que este producto está conforme con todas las disposiciones aplicables de la presente directrices aplicables y las correspondientes normas armonizadas: 2006/42/EC, 2004/108/EC (hasta el 19 de Abril de 2016), 2014/30/EU (a partir del 20 de Abril de 2016), 2011/65/EU, EN 60745-1, EN 60745-2-11; EN 55014-1, EN 55014-2, EN 61000-3-2, EN 61000-3-3. El expediente técnico está archivado en SPARKY ELTOS SA, C/ Kubrat, 9, 5500 Lovech, Bulgaria.

**PT**

**DECLARAÇÃO DE CONFORMIDADE**

Declaramos assumindo a nossa responsabilidade pessoal que este produto está conforme com todas as disposições relevantes da presente directrizes aplicáveis e respectivos estandartes harmonizados: 2006/42/EC, 2004/108/EC (até ao 19 de Abril de 2016), 2014/30/EU (a partir do 20 de Abril de 2016), 2011/65/EU, EN 60745-1, EN 60745-2-11; EN 55014-1, EN 55014-2, EN 61000-3-2, EN 61000-3-3. A documentação técnica guarda-se no SPARKY ELTOS AD, rua Kubrat 9, 5500, Lovech, Bulgária.

**PL**

**DEKLARACJA ZGODNOŚCI**

Niniejszym deklarujemy naszą osobistą odpowiedzialnością, że ten produkt spełnia wszystkie odpowiednie postanowienia następujących dyrektyw i harmonizowanych standardów: 2006/42/EC, 2004/108/EC (do 19 kwietnia 2016), 2014/30/EU (od 20 kwietnia 2016), 2011/65/EU, EN 60745-1, EN 60745-2-11; EN 55014-1, EN 55014-2, EN 61000-3-2, EN 61000-3-3. Teczka techniczna przechowywana jest w SPARKY ELTOS AG, Kubrat Str.9, 5500 Lovetch, Bulgaria.

**RU**

**ДЕКЛАРАЦИЯ О СООТВЕТСТВИИ**

Мы заявляем со всей ответственностью, что данный продукт полностью соответствует всем соответствующим требованиям действующих директив и гармонизированных стандартов: 2006/42/EC, 2004/108/EC (до 19 апреля 2016), 2014/30/EU (с 20 апреля 2016), 2011/65/EU, EN 60745-1, EN 60745-2-11; EN 55014-1, EN 55014-2, EN 61000-3-2, EN 61000-3-3. Техническое досье хранится в СПАРКИ ЕЛТОС АД, ул. Кубрат №9, 5500 Ловеч, Болгария.

**UK**

**ДЕКЛАРАЦІЯ ПРО ВІДПОВІДНІСТЬ**

Ми заявляємо під свою власну відповідальність, що даний продукт відповідає всім діючим вимогам директив і гармонізованих стандартів: 2006/42/EC, 2004/108/EC (до 19 квітня 2016), 2014/30/EU (з 20 квітня 2016), 2011/65/EU, EN 60745-1, EN 60745-2-11; EN 55014-1, EN 55014-2, EN 61000-3-2, EN 61000-3-3. Технічне досьє зберігається в СПАРКИ ЕЛТОС АД, ул. Кубрат № 9, 5500 Ловеч, Болгарія.

**BG**

**ДЕКЛАРАЦИЯ ЗА СЪОТВЕТСТВИЕ**

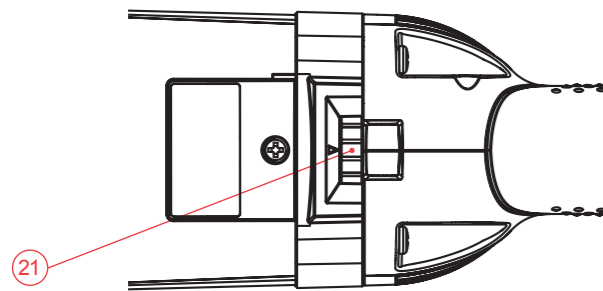
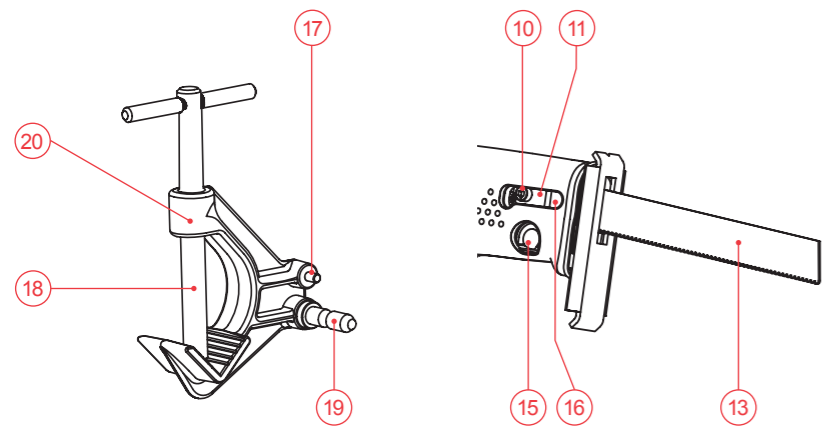
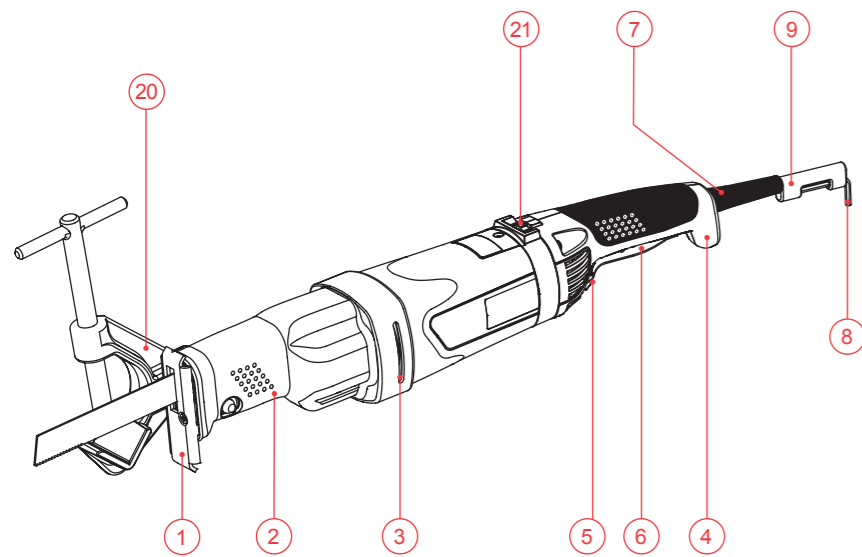
Ние декларираме на своя лична отговорност, че това изделие отговаря на всички приложими изисквания на следните директиви и хармонизирани стандарти: 2006/42/EC, 2004/108/EC (до 19 април 2016), 2014/30/EU (от 20 април 2016), 2011/65/EU, EN 60745-1, EN 60745-2-11; EN 55014-1, EN 55014-2, EN 61000-3-2, EN 61000-3-3. Техническото досие се съхранява в СПАРКИ ЕЛТОС АД, ул. Кубрат №9, 5500 Ловеч, България.

Manufacturer  
**SPARKY Power Tools GmbH**  
Leipziger Str. 20  
10117 Berlin, GERMANY

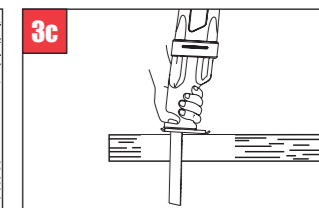
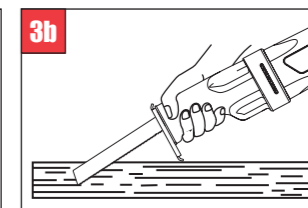
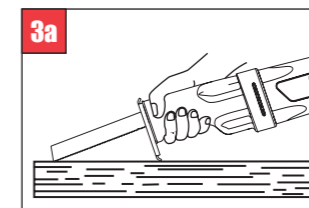
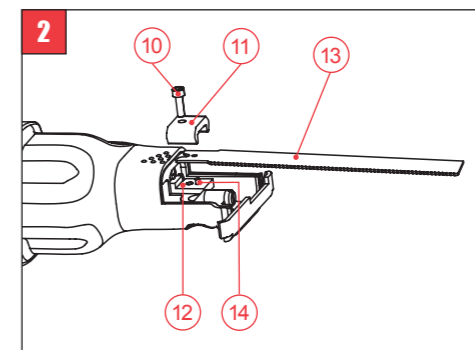
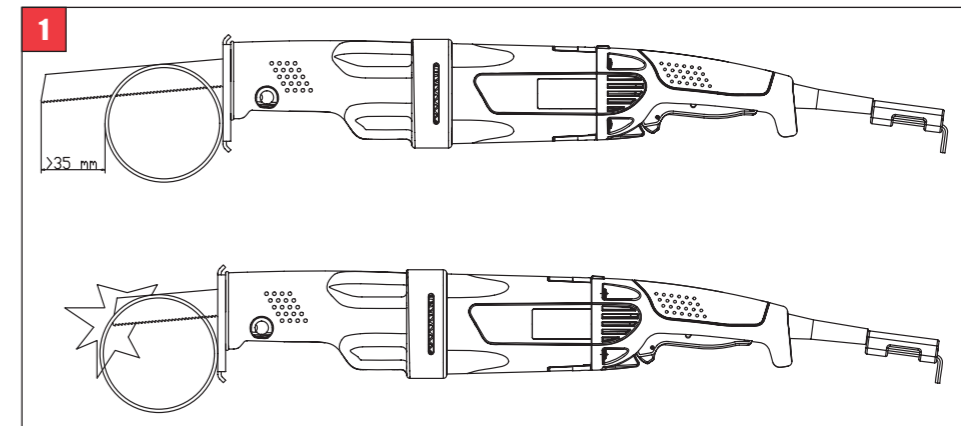
Signature of authorized person

A. Ivanov  
Technical director of SPARKY ELTOS AG

23 January 2013



A



B

# Contents

Introduction .....	1
Technical specifications .....	3
General power tool safety warnings .....	4
Additional safety rules for sabre saws .....	5
Know your product .....	A/6
Operation .....	B/6
Maintenance .....	9
Warranty .....	10

## UNPACKING

Due to modern mass production techniques, it is unlikely that your power tool is faulty or that a part is missing. If you find anything wrong, do not operate the tool until the parts have been replaced or the fault has been rectified. Failure to do so could result in serious personal injury.

## ASSEMBLY

The sabre saw is delivered fully assembled except for the blade. The blade is selected depending on the application (sawing metal, wood, chipboard, plastics, etc.), and then is mounted onto the machine.

## Introduction

---

Your new SPARKY power tool will more than satisfy your expectations. It has been manufactured under stringent SPARKY Quality Standards to meet superior performance criteria. You will find your new tool easy and safe to operate, and, with proper care, it will give you many years of dependable service.

### WARNING:



Carefully read through these Original Instructions before using your new SPARKY power tool. Take special care to heed the Warnings. Your SPARKY power tool has many features that will make your job faster and easier. Safety, performance, and dependability have been given top priority in the development of this tool, making it easy to maintain and operate.



#### **Do not dispose of electric tools together with household waste!**

Waste electrical products should not be disposed of with household waste. Please recycle where facilities exist. Check with your local authority or retailer for recycling advice.

## ENVIRONMENTAL PROTECTION



The machine, accessories and packaging should be sorted for environmental-friendly recycling.

The plastic components are labelled for categorised recycling.

## DESCRIPTION OF SYMBOLS

The rating plate on your power tool may show symbols. These represent important information about the product or instructions on its use.



Double insulated for additional protection.



Conforms to the relevant European Directives.



Conforms to the requirements of Customs Union regulations.



Conforms to the requirements of Ukrainian standards.




Refer to Original Instructions.

YYYY-Www    Production period, where the variable symbols are:  
YYYY- year of manufacture,  
ww - calendar week number.

TSB            Sabre saw.

# Technical specifications

Model	TSB 1300C	TSB 1300CE
▪ Power input	1300 W	1300 W
▪ No load stroke speed	2200 min <sup>-1</sup>	700-2200 min <sup>-1</sup>
▪ Stroke length	30 mm	30 mm
▪ Blade shank mounting dimensions	12.7; 20 mm	12.7; 20 mm
▪ Free-hand cutting capacity**	Ø6" (170 mm)	Ø6" (170 mm)
▪ Square cutting capacity**	Ø6" (170 mm)	Ø6" (170 mm)
▪ Overall length	585 mm	605 mm
▪ Weight (EPTA Procedure 01/2014)	3.5 kg	3.6 kg
▪ Protection class (EN 60745-1) 	II	II

## NOISE AND VIBRATION INFORMATION

Measured values determined according to EN 60745.

### ▪ Noise emission

A-weighted sound pressure level $L_{pA}$	87 dB(A)	87 dB(A)
Uncertainty $K_{pA}$	3 dB	3 dB
A-weighted sound power level $L_{WA}$	98 dB(A)	98 dB(A)
Uncertainty $K_{WA}$	3 dB	3 dB

### Wear hearing protection!

### ▪ Vibration emission \*

Total vibration values (vector sum in the three axes) determined according to EN 60745:

#### Cutting wood

Vibration emission value $a_{h,CW}$	25 m/s <sup>2</sup>	25 m/s <sup>2</sup>
Uncertainty $K_{h,CW}$	1.5 m/s <sup>2</sup>	1.5 m/s <sup>2</sup>

#### Square cutting metal pipes with support

Vibration emission value $a_{h,CM}$	12.3 m/s <sup>2</sup>	12.3 m/s <sup>2</sup>
Uncertainty $K_{h,CM}$	1.7 m/s <sup>2</sup>	1.7 m/s <sup>2</sup>

\* The vibration emission values are determined according to 6.2.7 EN 60745

\*\* Refer to "Machine use intensity".

The vibration emission level given in this information sheet has been measured in accordance with a standardised test given in EN 60745 and may be used to compare one tool with another. It may be used for a preliminary assessment of exposure.

The declared vibration emission level represents the main applications of the tool. However if the tool is used for different applications, with different accessories or poorly maintained, the vibration emission may differ. This may significantly increase the exposure level over the total working period.

An estimation of the level of exposure to vibration should also take into account the times when the tool is switched off or when it is running but not actually doing the job. This may significantly reduce the exposure level over the total working period.

Maintain the power tool and the accessories and keep your hands warm during operation to reduce the harmful effect of vibrations

Dust from material such as paint containing lead, some wood species, minerals and metal may be harmful. Contact with or inhalation of the dust may cause allergic reactions and/or respiratory diseases to the operator or bystanders.

Certain kinds of dust are classified as carcinogenic such as oak and beech dust especially in conjunction with additives for wood conditioning (chromate, wood preservative). Material containing asbestos must only be treated by specialists.

- Where the use of a dust extraction device is possible it shall be used.
- The work place must be well ventilated.
- The use of a dust mask of filter class P2 is recommended.

Follow national requirements for the materials you want to work with..

# General power tool safety warnings



**WARNING!** Read all safety warnings and all instructions. Failure to follow the warnings and instructions may result in electric shock, fire and/or serious injury.

Save all warnings and instructions for future reference.

The term "power tool" in the warnings refers to your mains-operated (corded) power tool or battery-operated (cordless) power tool.

## 1) Work area safety

- a) **Keep work area clean and well lit.** Cluttered or dark areas invite accidents.
- b) **Do not operate power tools in explosive atmospheres, such as in the presence of flammable liquids, gases or dust.** Power tools create sparks which may ignite the dust or fumes.
- c) **Keep children and bystanders away while operating a power tool.** Distractions can cause you to lose control.

## 2) Electrical safety

- a) **Power tool plugs must match the outlet.** Never modify the plug in any way. Do not use any adapter plugs with earthed (grounded) power tools. Unmodified plugs and matching outlets will reduce risk of electric shock.
- b) **Avoid body contact with earthed or grounded surfaces, such as pipes, radiators, ranges and refrigerators.** There is an increased risk of electric shock if your body is earthed or grounded.
- c) **Do not expose power tools to rain or wet conditions.** Water entering a power tool will increase the risk of electric shock.
- d) **Do not abuse the cord.** Never use the cord for carrying, pulling or unplugging the power tool. Keep cord away from heat, oil, sharp edges or moving parts. Damaged or entangled cords increase the risk of electric shock.
- e) **When operating a power tool outdoors, use an extension cord suitable for outdoor use.** Use of a cord suitable for outdoor use reduces the risk of electric shock.
- f) **If operating a power tool in a damp location is unavoidable, use a residual current device (RCD) protected supply.**

*Use of an RCD reduces the risk of electric shock.*

## 3) Personal safety

- a) **Stay alert, watch what you are doing and use common sense when operating a power tool.** Do not use a power tool while you are tired or under the influence of drugs, alcohol or medication. A moment of inattention while operating power tools may result in serious personal injury.
  - b) **Use personal protective equipment. Always wear eye protection.** Protective equipment such as dust mask, non-skid safety shoes, hard hat, or hearing protection used for appropriate conditions will reduce personal injuries.
  - c) **Prevent unintentional starting.** Ensure the switch is in the off-position before connecting to power source and/or battery pack, picking up or carrying the tool. Carrying power tools with your finger on the switch or energising power tools that have the switch on invites accidents.
  - d) **Remove any adjusting key or wrench before turning the power tool on.** A wrench or a key left attached to a rotating part of the power tool may result in personal injury.
  - e) **Do not overreach.** Keep proper footing and balance at all times. This enables better control of the power tool in unexpected situations.
  - f) **Dress properly. Do not wear loose clothing or jewellery.** Keep your hair, clothing and gloves away from moving parts. Loose clothes, jewellery or long hair can be caught in moving parts.
  - g) **If devices are provided for the connection of dust extraction and collection facilities, ensure these are connected and properly used.** Use of dust collection can reduce dust-related hazards.
- ## 4) Power tool use and care
- a) **Do not force the power tool.** Use the correct power tool for your application. The correct power tool will do the job better and safer at the rate for which it was designed.
  - b) **Do not use the power tool if the switch does not turn it on and off.** Any power tool that cannot be controlled with the switch is dangerous and must be repaired.
  - c) **Disconnect the plug from the power source and/or the battery pack from the power tool before making any adjustments, changing accessories, or stor-**

ing power tools. Such preventive safety measures reduce the risk of starting the power tool accidentally.

- d) Store idle power tools out of the reach of children and do not allow persons unfamiliar with the power tool or these instructions to operate the power tool. Power tools are dangerous in the hands of untrained users.
- e) Maintain power tools. Check for misalignment or binding of moving parts, breakage of parts and any other condition that may affect the power tool's operation. If damaged, have the power tool repaired before use. Many accidents are caused by poorly maintained power tools.
- f) Keep cutting tools sharp and clean. Properly maintained cutting tools with sharp cutting edges are less likely to bind and are easier to control.
- g) Use the power tool, accessories and tool bits etc. in accordance with these instructions, taking into account the working conditions and the work to be performed. Use of the power tool for operations different from those intended could result in a hazardous situation.

#### 5) Service

- a) Have your power tool serviced by a qualified repair person using only identical replacement parts. This will ensure that the safety of the power tool is maintained.

## Additional safety rules for sabre saws



**WARNING:** Before connecting a tool to a power source ensure that the voltage supply is the same as that specified on the nameplate of the tool.

- A power source with a voltage greater than that specified for the tool can result in serious injury to the user, as well as damage to the tool.
- If in doubt, do not plug in the tool.
- Using a power source with a voltage less than the nameplate rating is harmful to the motor.



**Wear ear protectors with sabre saws.** Exposure to noise can cause hearing loss.



**During operation provide eye protection to prevent eyes from exposure to flying particles.** Wear goggles.



**Take protective measures against inhalation of dust. Some materials can contain toxic ingredients.** Wear a dust mask and work with dust/chip extraction when connectable.



**Wear safety gloves.**

- Hold power tool by insulated gripping surfaces only, when performing an operation where the cutting accessory may contact hidden wiring or its own cord. Cutting accessory contacting a "live" wire may make exposed metal parts of the power tool "live" and could give the operator an electric shock.



**WARNING:** Always switch off and unplug the power tool prior to any adjustment, servicing or maintenance.

- The outer metal parts and the blade may get hot after continuous operation. Do not touch the blade or the work piece immediately after operation - they may be extremely hot and you may get serious burns.
- Keep your hands away from rotating parts.
- Use clamps or a vice to secure your work whenever possible.
- Always switch the machine off and wait until the blade has come to a complete stop before placing the machine down.
- Do not overload the machine: operate with moderate pressure. Overloading occurs when you apply excessive pressure, resulting in decrease of motor speed, which may cause inefficient operation and possible fault of the motor.
- Rags, cloths, cord, string and the like should never be left around the work area.
- Before using the tool on an actual work piece, switch on and let it run for a while. Operate the tool at least 200 mm away from your face and body.
- Always be sure you have a firm footing. Be sure no one is below when using the tool in high locations.
- Hold the power tool firmly.
- The tool must be used only for its prescribed



purpose. Any use other than those mentioned in this Manual will be considered a case of misuse. The user and not the manufacturer shall be liable for any damage or injury resulting from such cases of misuse.

- To use this tool properly, you must observe the safety regulations, the assembly instructions and the operating instructions found in this Manual. All persons who use and service the machine have to be acquainted with this Manual and must be informed about its potential hazards. Children and frail people must not use this tool. Children should be supervised at all times if they are in the area in which the tool is being used. It is also imperative that you observe the accident prevention regulations in force in your area. The same applies for general rules of occupational health and safety.
- The manufacturer shall not be liable for any changes made to the tool nor for any damage resulting from such changes.
- Power tools must not be used outdoors in rainy weather, or in moist environment (after rain) or in close vicinity with easily flammable liquids and gases. The working place should be well lit.

## Know your product

Before using the power tool, familiarize yourself with all the operating features and safety requirements.

Use the tool and accessories only for the applications intended. All other applications are expressly ruled out.

1. Support
2. Rubber casing of gear-box
3. Ventilation slots
4. Rear handle
5. Lock-on button
6. ON/OFF switch
7. Cord protector
8. Hex wrench
9. Holder
10. Screw
11. Strap
12. Piston
13. Blade
14. Centring pin
15. Joint opening
16. Profiled groove
17. Limiting pin

18. Clamping screw
19. Shaft
20. Bracket
21. Electronic speed regulator (TSB 1300CE)

## Operation

This power tool is supplied from single-phase alternating current mains only. It is double insulated according to EN 60745-1, IEC 60745 and can be connected to grounded or not grounded sockets. This power tool is radio suppressed in compliance with EMC Directive.

This power tool is designed for sawing pipes, metal and plastics profiles and light construction materials (aerated concrete blocks), using suitable saw blades

### PRIOR TO INITIAL OPERATION

- Make sure the power supply voltage corresponds to the value indicated on the name plate with technical data of the tool.
  - Always check the position of ON/OFF switch. The power tool must be connected to the power supply socket only when this switch is in OFF position. If the plug is connected to a receptacle while the power switch is in the ON position, the power tool will start operating immediately, which could cause a serious accident.
  - Make sure that the cord and the plug are in order. If the replacement of the supply cord is necessary, this has to be done by the manufacturer or his agent in order to avoid a safety hazard.



**WARNING:** Always switch off and unplug the power tool prior to any adjustment, servicing or maintenance.

### SELECTING THE BLADE

Select the blade depending on the processed material - blade for sawing metal, blade for sawing wood, all-purpose blade, etc.

Each one of the blade types listed above is available with different cutting length.

To select the appropriate blade consider the material to be cut (metal, wood, etc.) and the necessary length.

Choose the blade length, so that the blade projects out of the material 35 mm at least. Observing this rule will reduce to minimum the possibility for injury during operation (Fig.1).

To achieve maximum efficiency and precise cut, to preserve blade sharpness and increase blade



life, always use blades with proper length and suitable for the specific job and the processed material.



**WARNING:** The blade heats to high temperature during operation. Do not touch the blade immediately after ceasing operation to avoid a possible burning. We recommend to lay the saw down for a while until the blade has cooled and to use protective gloves when replacing a blade.

## INSTALLING AND REPLACING THE BLADE

1. Ensure that the plug is pulled out of the supply socket.
2. Take the hex wrench (8) out of its holder (9).
3. Lay the machine down on a solid flat surface as shown on Fig. 2 Never place the machine on the cord protector (7) while installing or replacing the blade (13) - this may result in cord damage and risk of electric shock.
4. Loosen the screw (10) until its head will touch the cover wall.
5. Take out the old blade (13) carefully.
6. Position the new blade (13) in such a way, that the centring pin (14) will engage in the centring opening of the blade shank.
7. Fasten the screw (10) carefully, until the strap (11) will reach the blade (13).
8. Ensure that the blade (13) is properly positioned in its strap (11).
9. Tighten the screw (10) firmly.
10. Place the hex wrench (8) back in its holder (9).

The careful and exact execution of the above

the blade, the piston and the strap, as well as by the precise profile groove in the strap, copying the blade shank. The centring pin is used to orientate initially the blade and it is not intended to endure force loading during operation.

In case the blade has been mounted in a wrong way the centring pin will endure force loading and may warp or shear off, and the machine has to be presented to the service centre for replacement of the centring pin.

**Never operate the machine with a warped or missing centring pin!**

If the screw can not tighten the blade attaching mechanism securely because the screw socket, the screw thread or the hex wrench are worn, the centring pin will warp or shear off. For this reason replace the screw or the hex wrench well before wear becomes excessive.

## SWITCHING ON - SWITCHING OFF



**WARNING:** Before connecting the power tool to a power source ensure that the voltage supply is the same as the one specified on the nameplate of the machine.

- Switching on: Hold the saw firmly. Make sure the blade does not touch any object. Push forward the lock-on button (5), and then press the ON/OFF switch (6).  
The machine is equipped with soft-start electronics - the machine starts at low speed to reach after 3-4 seconds the rated speed.
- Switching off: To stop operation release the ON/OFF switch (6).

## STROKE RATE ADJUSTMENT

Regulator position	Number of strokes at no load speed	Metal	Wood	Plastics	Ceramics, aerated concrete
G	2200	+	+	-	-
F	2050	+	+	-	-
E	1750	+	-	-	-
D	1500	+	-	-	+
C	1200	+	-	+	+
B	950	+	-	+	+
A	700	+	-	+	+

mentioned procedures guarantee the stable and reliable fixing of the blade to the machine. The blade is fixed by the forces acting between

The optimum speed value for various materials differs depending on a number of factors (kind of material, blade type, accessibility to the working

zone, etc.). The optimum speed for the specific application is achieved experimentally during operation. Use the information from the table to choose the speed initially. Rotate the regulator thumbwheel to place the selected position (letter) against the mark (▼).

## **SAWING**

Always hold the power tool as shown on Fig.3 - to prevent electric shock. The gear housing, the support and the blade can become live if during operation the saw comes into contact with a live wire. Hold the machine for the rear handle (4) and the rubber housing (2), to decrease the possibility for electric shock to the minimum.

### **Square cutting with support**

Mount the bracket (20) for square cutting onto the machine, so that the bracket shaft (19) inserts the joint opening (15) on the machine and the limiting pin (17) inserts the profiled groove (16).

Ensure that the prism of the bracket (20) for square cutting is clean from chips and dirt as this might result in improper positioning of the work piece and lack of perpendicularity.

Position the machine with the bracket (20) onto the pipe in such a way, so that the clamping screw is perpendicular to the pipe.

Tighten with the clamping screw taking care not to deform the pipe.

Depending on the hand you prefer to use, grasp the clamping screw (18) handle with one hand and, the machine handle (4) with the other hand and switch the machine on.

While holding the rear handle (4) with the switch in ON position, pull the machine rear to start sawing. Pull the machine rear until the work piece is cut through.

To achieve better results when cutting pipes with diameters exceeding 2", we recommend to switch the machine on when the saw blade touches the work piece.

To achieve optimum efficiency and speed and to protect the blade, adjust the pressure on the material by slower or faster pulling the machine rear.

Excessive force does not increase the speed.

### **Free-hand cutting**

We recommend whenever possible to fix the work piece securely in a vice or another appropriate fixing device.

To achieve clean cuts when straight cutting metal or curve cutting (wood, plastics, aerated concrete, etc.) it is necessary to keep the support (1) pressed firmly against the material all

the time.

Use only sharp faultless blades, suitable for the material being cut and with the necessary length.

Take care to cut at uniform feeding speed to ensure fast, easy and exact cutting. Excessive force does not increase the speed, but results in machine overloading and reduces blade life.

Hold the machine tightly and keep the support (1) pressed firmly against the material during operation.

Always keep the cord toward the machine rear during operation away from the cutting area.

### **Plunge cutting (Fig. 4)**

For cutting soft wood and light construction materials, it is possible at first to plunge the blade into the material, and then - to make a hole in the material.

For this purpose with the saw switched off, rest the saw on the support (1), and the blade tip (13) - on the marked cutting line. Switch the saw on and slowly and carefully raise the rear handle, trying to keep the support (1) permanently in contact with the material. Rotate the saw until the blade (13) has plunged entirely into the material, and then continue cutting in the desired direction.

We do not recommend plunge cutting in hard materials to avoid the risk of injury.

To start a hole in a hard material, first drill a pilot hole suitable for the blade size.

It is important that the support is firmly pressed against the material during cutting. Thus you will achieve uniform operation and lower vibrations.

### **Lubrication**

When cutting steel (pipes, profiles, etc.) use low viscous lubricant-coolant emulsions to assist chips removal and reduce the temperature in the cutting area. The use of lubricant-coolant emulsions increases blade life.

Do not use highly viscous lubricant-coolant emulsions (thick oil and grease), as they hamper the chip ejection and heat dissipation from the cutting area, and reduce blade life.

### **Machine use intensity**

The driving motor power of this machine enables cutting 6" (Ø170) steel pipe. The energy separated during this operation, as well as during cutting solid metal and wood with dimensions exceeding Ø120 mm results in considerable increase of the machine gear temperature.

Despite the use of special high-temperature grease for the machine gear, exceeding the temperature above certain critical level causes oil evaporation from the grease and visible smoke from the gear. This is an evident indica-

tion for thermal overload of the power tool. Upon this event please contact the nearest SPARKY service centre to diagnose your power tool.

To avoid thermal overload of the power tool we recommend to switch off the machine after each prolonged operation until it reaches ambient temperature. A fair criterion for determination of the thermal overload beginning is when you feel the gear high temperature even with your hands in gloves.

## ACCESSORIES

---

Bracket (from 2" to 6")  
Hex wrench (S4);  
Blades.

## Maintenance

---



**WARNING:** Always ensure that the tool is switched off and unplugged before attempting to perform inspection or maintenance.

## BRUSH REPLACEMENT

---

This power tool is equipped with auto-stop brushes. When the carbon brushes are worn out, the machine switches itself off. In this case both brushes must be replaced simultaneously with genuine brushes at SPARKY service centre for warranty and post-warranty service.

## GENERAL INSPECTION

---

Regularly inspect all fasteners and ensure they are properly tightened. Should any of the screws be loose, retighten it immediately to avoid hazards.

If the replacement of the supply cord is necessary, this has to be done by the manufacturer or his agent in order to avoid a safety hazard.

## CLEANING

---

For safe operation always keep the machine and its ventilation slots clean (3).

Regularly check to see if any dust or foreign matter has entered the ventilation slots and the grills around the switches. Use a soft brush and/or air jet to remove any accumulated dust. Wear safety glasses to protect your eyes whilst cleaning.

Exterior plastic parts may be cleaned with a damp cloth and mild detergent if necessary.



**WARNING:** Never use alcohol, petrol or other cleaning agent. Never use caustic agents to clean plastic parts.



**WARNING:** Water must never come into contact with the tool.

**IMPORTANT!** To assure product safety and reliability, repairs, maintenance and adjustment (including brush inspection and replacement) should be performed by certified service centres or other qualified service organisations, always using genuine replacement parts.

## Warranty

---

The guarantee period for SPARKY power tools is determined in the guarantee card.

Faults due to normal wear, overloading or improper handling will be excluded from the guarantee.

Faults due to defective materials implemented as well as defects in workmanship will be corrected free of charge through replacement or repair.

The complaints for defective SPARKY power tools will be recognized if the machine is sent back to the dealer or is presented to the authorised warranty service centre undismantled, in its initial condition.

## Notes

---

Carefully read the entire Instruction Manual before using this product.

The manufacturer reserves the right to make changes and improvements to the products and to alter specifications without prior notice.

Specifications may differ from country to country.

# Inhalt

Einführung .....	11
Technische Daten .....	13
Allgemeine Sicherheitshinweise für Elektrowerkzeuge.....	14
Zusätzliche Sicherheitshinweise für Säbelsägen .....	15
Elemente des Elektrowerkzeugs.....	A/16
Betriebshinweise.....	B/17
Wartung .....	20
Garantie .....	20

## AUSPACKEN

Überprüfen Sie unmittelbar nach dem Auspacken ob sämtliche Bestandteile und das beschriebene Zubehör mitgeliefert wurden. Sollte dies nicht der Fall sein, wenden Sie sich bitte umgehend an Ihren Fachhändler bei dem das Elektrowerkzeug gekauft wurde. Dies trifft auch dann zu, wenn Sie den Eindruck haben mit dem Gerät ist etwas nicht in Ordnung. Eine Nichtbeachtung dieser Empfehlung kann zu schweren Unfällen führen.

## ZUSAMMENBAU

Die Säbelsäge wird in Verpackung und völlig zusammengebaut, mit Ausnahme des Sägeblattes, geliefert. Das Sägeblatt wird abhängig vom Arbeitseinsatz (Metalle, Holz, Sperrholz, Kunststoffe u.a.) gewählt und danach am elektrischen Gerät montiert.

## Einführung

---

Das von Ihnen erworbene Elektrowerkzeug wird Ihre Erwartungen übersteigen. Es ist gemäß den hohen Qualitätsstandards von SPARKY hergestellt, die den strengen Anforderungen des Verbrauchers entsprechen. Einfach in der Bedienung und ungefährlich bei richtiger Handhabung, wird dieses Gerät bei bestimmungsgemäßem Gebrauch Ihnen lange Jahre zuverlässig dienen.

## WARNUNG!



Lesen Sie die ganze Originalbetriebsanleitung aufmerksam durch, bevor Sie das neu erworbene SPARKY - Elektrowerkzeug in Betrieb nehmen. Beachten Sie besonders die Texte, die mit den Wörtern „Warnung“ beginnen. Ihr SPARKY - Elektrowerkzeug besitzt viele Eigenschaften, die Ihre Arbeit erleichtern werden. Bei der Entwicklung dieses Elektrowerkzeuges ist höchste Aufmerksamkeit der Sicherheit, den Betriebseigenschaften und der Zuverlässigkeit gewidmet worden, die es einfach zur Wartung und Bedienung machen.



### **Keine elektrischen Geräte zusammen mit dem Hausmüll wegwerfen!**

Die Abfälle von elektrischen Erzeugnissen sollen nicht zusammen mit dem Hausmüll gesammelt werden. Für eine umweltgerechte Entsorgung geben Sie Ihren alten / defekten Elektrogeräte bitte in der nächsten kommunalen Sammelstelle ab.

## UMWELTSCHUTZ



Angesichts des Umweltschutzes sollen das Elektrowerkzeug, die Zubehörteile und die Verpackung einer geeigneten Wiederverwertung zugeführt werden. Zum sortenreinen Recycling sind die Teile, hergestellt aus Kunststoffen, entsprechend gekennzeichnet.

## BEDEUTUNG DER SYMBOLE

Auf dem Typenschild des Elektrowerkzeuges sind spezielle Symbole dargestellt. Sie stellen wichtige Information über das Produkt oder Instruktionen für seine Nutzung dar.



Doppelte Isolierung für zusätzlichen Schutz.



Entspricht den einschlägigen Europäischen Richtlinien.



Entspricht den Anforderungen der Zollunion-Regelungen.



Entspricht den Anforderungen der ukrainischen normativen Dokumenten.




Lesen Sie die Originalbetriebsanleitung.

YYYY-Www    Zeitabschnitt der Produktion, wobei die variablen Symbole sind:  
YYYY - Kalenderjahr der Produktion,  
ww - laufende Kalenderwoche.

TSB            Säbelsäge.

# Technische Daten

Modell	TSB 1300C	TSB 1300CE
▪ Nennaufnahme	1300 W	1300 W
▪ Hubzahl (Leerlauf)	2200 min <sup>-1</sup>	700-2200 min <sup>-1</sup>
Sägeblattlauf	30 mm	30 mm
▪ Anschlussabmessung vom Sägeblatt	12.7; 20 mm	12.7; 20 mm
▪ Maximale Abmessung beim handgeführten Sägen**	Ø6" (170 mm)	Ø6" (170 mm)
▪ Maximale Abmessung beim Sägen mit Führungshalter**	Ø6" (170 mm)	Ø6" (170 mm)
▪ Länge	585 mm	605 mm
▪ Gewicht (EPTA Verfahren 01/2014)	3.5 kg	3.6 kg
▪ Schutzklasse (EN 60745-1) 	II	II

## GERÄUSCH-VIBRATIONSINFORMATION

Messwerte ermittelt entsprechend EN 60745.

### ▪ Geräuschemissionswerte

Der A-bewertete Schalldruckpegel L <sub>PA</sub>	87 dB(A)	87 dB(A)
Unsicherheit K <sub>PA</sub>	3 dB	3 dB
Der A-bewertete Schalleistungspegel L <sub>WA</sub>	98 dB(A)	98 dB(A)
Unsicherheit K <sub>WA</sub>	3 dB	3 dB

### Gehörschutz tragen!

### ▪ Schwingungsemissionswerte \*

Schwingungsgesamtwerte (Vektorsumme dreier Richtungen) ermittelt entsprechend EN 60745:

#### Holz schneiden

Schwingungsemissionswert a <sub>h,CW</sub>	25 m/s <sup>2</sup>	25 m/s <sup>2</sup>
Unsicherheit K <sub>h,CW</sub>	1.5 m/s <sup>2</sup>	1.5 m/s <sup>2</sup>

#### Schneiden von Metallrohren mit Führungshalter (rechtwinkliges Sägen)

Schwingungsemissionswert a <sub>h,CM</sub>	12.3 m/s <sup>2</sup>	12.3 m/s <sup>2</sup>
Unsicherheit K <sub>h,CM</sub>	1.7 m/s <sup>2</sup>	1.7 m/s <sup>2</sup>

\* Messwerte ermittelt nach 6.2.7 EN 60745

\*\* Lesen Sie den Abschnitt "Intensität der Verwendung".

Der in diesen Anweisungen angegebene Schwingungspegel ist entsprechend einem in EN 60745 genormten Messverfahren gemessen worden und kann für den Vergleich von Elektrowerkzeugen miteinander verwendet werden. Er eignet sich auch für eine vorläufige Einschätzung der Schwingungsbelastung.

Der angegebene Schwingungspegel repräsentiert die hauptsächlichen Anwendungen des Elektrowerkzeugs. Wenn allerdings das Elektrowerkzeug für andere Anwendungen, mit abweichenden Einsatzwerkzeugen oder ungenügender Wartung eingesetzt wird, kann der Schwingungspegel abweichen. Dies kann die Schwingungsbelastung über den gesamten Arbeitszeitraum deutlich erhöhen.

Für eine genaue Abschätzung der Schwingungsbelastung sollten auch die Zeiten berücksichtigt werden, in denen das Gerät abgeschaltet ist oder zwar läuft, aber nicht tatsächlich im Einsatz ist. Dies kann die Schwingungsbelastung über den gesamten Arbeitszeitraum deutlich reduzieren.

Pflegen Sie das Gerät und die Einsatzwerkzeuge mit Sorgfalt. Halten Sie Ihre Hände warm während der Arbeit - dies wird die schädliche Einwirkung erhöhter Schwingungen reduzieren.

Stäube von Materialien wie bleihaltigem Anstrich, einigen Holzarten, Mineralien und Metall können gesundheitsschädlich sein. Berühren oder Einatmen der Stäube können allergische Reaktionen und/oder Atemwegserkrankungen des Benutzers oder in der Nähe befindlicher Personen hervorrufen. Bestimmte Stäube wie Eichen- oder Buchenstaub gelten als krebserzeugend, besonders in Verbindung mit Zusatzstoffen zur Holzbehandlung (Chromat, Holzschutzmittel). Asbesthaltiges Material darf nur von Fachleuten bearbeitet werden.

- Benutzen Sie möglichst eine Staubabsaugung.
- Sorgen Sie für gute Belüftung des Arbeitsplatzes.
- Es wird empfohlen, eine Atemschutzmaske mit Filterklasse P2 zu tragen.

Beachten Sie in Ihrem Land gültige Vorschriften für die zu bearbeitenden Materialien.



# Allgemeine Sicherheitshinweise für Elektrowerkzeuge



**WARNUNG:** Lesen Sie alle Sicherheitshinweise und Anweisungen. Versäumnisse bei der Einhaltung der Sicherheitshinweise und Anweisungen können elektrischen Schlag, Brand und/oder schwere Verletzungen verursachen.

**Bewahren Sie alle Sicherheitshinweise und Anweisungen für die Zukunft auf.**

Der in den Sicherheitshinweisen verwendete Begriff „Elektrowerkzeug“ bezieht sich auf netzbetriebene Elektrowerkzeuge (mit Netzkabel) und auf akkubetriebene Elektrowerkzeuge (ohne Netzkabel).

## 1) Arbeitsplatzsicherheit

- a) Halten Sie Ihren Arbeitsbereich sauber und gut beleuchtet. Unordnung oder unbeleuchtete Arbeitsbereiche können zu Unfällen führen.
- b) Arbeiten Sie mit dem Elektrowerkzeug nicht in explosionsgefährdeter Umgebung, in der sich brennbare Flüssigkeiten, Gase oder Stäube befinden. Elektrowerkzeuge erzeugen Funken, die den Staub oder die Dämpfe entzünden können.
- c) Halten Sie Kinder und andere Personen während der Benutzung des Elektrowerkzeugs fern. Bei Ablenkung können Sie die Kontrolle über das Gerät verlieren.

## 2) Elektrische Sicherheit

- a) Der Anschlussstecker des Elektrowerkzeugs muss in die Steckdose passen. Der Stecker darf in keiner Weise verändert werden. Verwenden Sie keine Adapterstecker gemeinsam mit Schutzgeerdeten Elektrowerkzeugen. Unveränderte Stecker und passende Steckdosen verringern das Risiko eines elektrischen Schlages.
- b) Vermeiden Sie Körperkontakt mit geerdeten Oberflächen wie von Rohren, Heizungen, Herden und Kühlschränken. Es besteht ein erhöhtes Risiko durch elektrischen Schlag, wenn Ihr Körper geerdet ist.
- c) Halten Sie Elektrowerkzeuge von Regen oder Nässe fern. Das Eindringen von Wasser in ein Elektrowerkzeug erhöht das Risiko eines elektrischen Schlages.

d) Zweckentfremden Sie das Kabel nicht, um das Elektrowerkzeug zu tragen, aufzuhängen oder um den Stecker aus der Steckdose zu ziehen. Halten Sie das Kabel fern von Hitze, Öl, scharfen Kanten oder sich bewegenden Geräteteilen. Beschädigte oder verwickelte Kabel erhöhen das Risiko eines elektrischen Schlages.

e) Wenn Sie mit einem Elektrowerkzeug im Freien arbeiten, verwenden Sie nur Verlängerungskabel, die auch für den Außenbereich geeignet sind. Die Anwendung eines für den Außenbereich geeigneten Verlängerungskabels verringert das Risiko eines elektrischen Schlages.

f) Wenn der Betrieb des Elektrowerkzeuges in feuchter Umgebung nicht vermeidbar ist, verwenden Sie einen Fehlerstromschutzschalter. Der Einsatz eines Fehlerstromschutzschalters vermindert das Risiko eines elektrischen Schlages.

## 3) Sicherheit von Personen

- a) Seien Sie aufmerksam, achten Sie darauf, was Sie tun, und gehen Sie mit Vernunft an die Arbeit mit einem Elektrowerkzeug. Benutzen Sie kein Elektrowerkzeug, wenn Sie müde sind oder unter dem Einfluss von Drogen, Alkohol oder Medikamenten stehen. Ein Moment der Unachtsamkeit beim Gebrauch des Elektrowerkzeuges kann zu ernsthaften Verletzungen führen.
- b) Tragen Sie persönliche Schutzausrüstung und immer eine Schutzbrille. Das Tragen persönlicher Schutzausrüstung, wie Staubmaske, rutschfeste Sicherheitsschuhe, Schutzhelm oder Gehörschutz, je nach Art und Einsatz des Elektrowerkzeuges, verringert das Risiko von Verletzungen.
- c) Vermeiden Sie eine unbeabsichtigte Inbetriebnahme. Vergewissern Sie sich, dass das Elektrowerkzeug ausgeschaltet ist, bevor Sie es an die Stromversorgung und/oder den Akku anschließen, es aufnehmen oder tragen. Wenn Sie beim Tragen des Elektrowerkzeuges den Finger am Schalter haben oder das Gerät eingeschaltet an die Stromversorgung anschließen, kann dies zu Unfällen führen.
- d) Entfernen Sie Einstellwerkzeuge oder Schraubenschlüssel, bevor Sie das Elektrowerkzeug einschalten. Ein Werkzeug oder Schlüssel, der sich in einem drehenden Geräteteil befindet, kann zu Verletzungen führen.

- e) **Vermeiden Sie eine abnormale Körperhaltung.** Sorgen Sie für einen sicheren Stand und halten Sie jederzeit das Gleichgewicht. Dadurch können Sie das Elektrowerkzeug in unerwarteten Situationen besser kontrollieren.
- f) **Tragen Sie geeignete Kleidung.** Tragen Sie keine weite Kleidung oder Schmuck. Halten Sie Haare, Kleidung und Handschuhe fern von sich bewegenden Teilen. Lockere Kleidung, Schmuck oder lange Haare können von sich bewegenden Teilen erfasst werden.
- g) **Wenn Staubabsaug- und -auffangrichtungen montiert werden können,** vergewissern Sie sich, dass diese angeschlossen sind und richtig verwendet werden. Verwendung einer Staubabsaugung kann Gefährdungen durch Staub verringern.

#### 4) Verwendung und Behandlung des Elektrowerkzeuges

- a) **Überlasten Sie das Gerät nicht.** Verwenden Sie für Ihre Arbeit das dafür bestimmte Elektrowerkzeug. Mit dem passenden Elektrowerkzeug arbeiten Sie besser und sicherer im angegebenen Leistungsbereich.
- b) **Benutzen Sie kein Elektrowerkzeug, dessen Schalter defekt ist.** Ein Elektrowerkzeug, das sich nicht mehr ein- oder ausschalten lässt, ist gefährlich und muss repariert werden.
- c) **Ziehen Sie den Stecker aus der Steckdose und/oder entfernen Sie den Akku, bevor Sie Geräteeinstellungen vornehmen, Zubehörteile wechseln oder das Gerät weglegen.** Diese Vorsichtsmaßnahme verhindert den unbeabsichtigten Start des Elektrowerkzeuges.
- d) **Bewahren Sie unbenutzte Elektrowerkzeuge außerhalb der Reichweite von Kindern auf.** Lassen Sie Personen das Gerät nicht benutzen, die mit diesem nicht vertraut sind oder diese Anweisungen nicht gelesen haben. Elektrowerkzeuge sind gefährlich, wenn Sie von unerfahrenen Personen benutzt werden.
- e) **Pflegen Sie Elektrowerkzeuge mit Sorgfalt.** Kontrollieren Sie, ob bewegliche Teile einwandfrei funktionieren und nicht klemmen, ob Teile gebrochen oder so beschädigt sind, dass die Funktion des Elektrowerkzeuges beeinträchtigt ist. Lassen Sie beschädigte Teile vor dem Einsatz des Gerätes reparieren. Vie-

le Unfälle haben ihre Ursache in schlecht gewarteten Elektrowerkzeugen.

- f) **Halten Sie Schneidwerkzeuge scharf und sauber.** Sorgfältig gepflegte Schneidwerkzeuge mit scharfen Schneidkanten verklemmen sich weniger und sind leichter zu führen.
  - g) **Verwenden Sie Elektrowerkzeug, Zubehör, Einsatzwerkzeuge usw. entsprechend diesen Anweisungen.** Berücksichtigen Sie dabei die Arbeitsbedingungen und die auszuführende Tätigkeit. Der Gebrauch von Elektrowerkzeugen für andere als die vorgesehenen Anwendungen kann zu gefährlichen Situationen führen.
- #### 5) Service
- a) **Lassen Sie Ihr Elektrowerkzeug nur von qualifiziertem Fachpersonal und nur mit Original-Ersatzteilen reparieren.** Damit wird sichergestellt, dass die Sicherheit des Elektrowerkzeuges erhalten bleibt.

## Zusätzliche Sicherheitshinweise für Säbelsägen



**! WARNUNG:** Netzspannung beachten!  
Vor Anschluss des elektrischen Geräts prüfen, ob die auf dem Typenschild angegebene Spannung der Netzspannung entspricht.

- Höhere Netzspannung als die auf dem Leistungsschild angegebene Spannung kann zu schweren Verletzungen von Personen und zu Schäden am Elektrowerkzeug führen.
- Sind Sie nicht sicher, stecken Sie nicht den Anschlussstecker des elektrischen Gerätes in die Steckdose ein.
- Netzspannung, die niedriger als die auf dem Leistungsschild angegebene Spannung ist, kann den Elektromotor beschädigen.



**Gehörschutz tragen.** Das intensive Geräusch während der Arbeit kann Gehörverletzungen verursachen.



**Verwenden Sie während der Arbeit geeignete Augenschutzmittel um sich vor fliegenden Teilchen zu schützen.** Tragen Sie eine Schutzbrille.



**Treffen Sie Schutzmaßnahmen gegen das Einatmen von Staub.** *Manche Werkstoffe können toxische Bestandteile enthalten. Tragen Sie eine Staubschutzmaske.*



**Handschuhe tragen.**

- **Halten Sie das Gerät nur an den isolierten Griffflächen, wenn Sie Arbeiten ausführen, bei denen das Einsatzwerkzeug verborgene Stromleitungen oder das eigene Netzkabel treffen kann.** *Der Kontakt mit einer spannungsführenden Leitung kann auch metallene Geräteteile unter Spannung setzen und zu einem elektrischen Schlag führen.*



**WARNUNG:** Ziehen Sie den Stecker aus der Steckdose, bevor Sie Geräteeinstellungen oder Wartung vornehmen, Zubehörteile wechseln oder das Gerät weglegen.

- Nach längerem Betrieb können die äußeren Metallteile und Zubehör aufgeheizt werden. Berühren Sie nicht die Oberfläche des Gerätes oder des bearbeiteten Materials gleich nach der Arbeit – es besteht die Gefahr vor Hautverbrennung.
- Halten Sie die Hände fern von sich bewegenden Teilen. Greifen Sie niemals in sich bewegende (umlaufende) Teile.
- Benutzen Sie Spannvorrichtungen oder einen Schraubstock, um das Werkstück festzuhalten.
- Ziehen Sie den Stecker aus der Steckdose, bevor Sie Geräteeinstellungen vornehmen, Zubehörteile wechseln oder das Gerät weglegen.
- Überlasten Sie das elektrische Gerät nicht. Verwenden Sie für Ihre Arbeit das dafür bestimmte elektrische Gerät. Mit dem passenden elektrischen Gerät arbeiten Sie besser und sicherer im angegebenen Leistungsreich.
- Halten Sie Ihren Arbeitsbereich sauber und aufgeräumt. Lassen Sie keine Laschen, Schnüre usw. im Arbeitsbereich.
- Vor Gebrauch lassen Sie das elektrische Gerät eine gewisse Zeit in Betrieb, um sich zu überzeugen, dass es normal funktioniert. Während des Betriebs ist das elektrische Gerät mindestens 200 mm von Gesicht und Körper entfernt zu halten.
- Sorgen Sie für einen sicheren Stand und halten Sie jederzeit das Gleichgewicht. Falls Sie mit dem Gerät auf einer Leiter arbeiten,

überzeugen Sie sich, dass darunter niemand steht.

- Halten Sie das elektrische Gerät mit beiden Händen fest.
- Verwenden Sie elektrische Geräte, Zubehör, Einsatzwerkzeuge usw. entsprechend diesen Anweisungen und so, wie es für diesen speziellen Gerätetyp vorgeschrieben ist. Der Gebrauch von elektrischen Geräten für andere als die vorgesehenen Anwendungen kann zu gefährlichen Situationen führen. Die Verantwortung für jede Beschädigung oder Verletzung trägt in diesem Fall der Verbraucher und nicht der Hersteller.
- Um mit diesem elektrischen Gerät richtig umzugehen, müssen Sie die Sicherheitshinweise und die hier angegebenen allgemeinen Betriebsanleitungen berücksichtigen. Alle Anwender sind mit dieser Betriebsanleitung und den Sicherheitshinweisen bekanntzumachen. Bewahren Sie unbenutzte elektrische Geräte außerhalb der Reichweite von Kindern auf. Lassen Sie Personen das elektrische Gerät nicht benutzen, die mit diesem nicht vertraut sind oder diese Anweisungen nicht gelesen haben. Elektrische Geräte sind gefährlich, wenn sie von unerfahrenen Personen benutzt werden.
- Der Hersteller haftet nicht für jegliche eigenmächtige Veränderung am elektrischen Gerät und für die daraus folgenden Schäden.
- Arbeiten Sie mit dem elektrischen Gerät nicht im Freien und bei Regen, in explosionsgefährdeter Umgebung, in der sich brennbare Flüssigkeiten, Gase oder Staube befinden. Der Arbeitsplatz muss gut beleuchtet sein.

## Elemente des Elektrowerkzeugs

Bevor Sie mit der Säbelsäge zu arbeiten beginnen, lernen Sie alle operative Besonderheiten und Sicherheitshinweise kennen. Verwenden Sie das elektrische Gerät nur bestimmungsgemäß und unter Beachtung der allgemeinen Sicherheits- und Unfallverhütungsvorschriften. Jede andere Verwendung ist ausdrücklich verboten.

1. Stützschuh
2. Gummibelag des Getriebes
3. Entlüftungsöffnungen
4. Hebel
5. Überlastschutz
6. Tippschalter
7. Knickschutzülle

8. Sechskantsteckschlüssel
9. Halter
10. Klemmschraube
11. Spannplatte
12. Sägeblattdruckstück
13. Sägeblatt
14. Zentrierstift
15. Anschlussöffnung
16. Profilvernut
17. Begrenzungsstift
18. Spannschindel
19. Achse
20. Führungshalter
21. Elektronischer Hubzahlregler  
(TSB 1300CE)

## Betriebshinweise

Dieses elektrische Gerät wird nur mit Einphasenwechselspannung betrieben. Es ist doppelt isoliert gemäß EN 60745-1 und IEC 60745 und darf an Steckdosen ohne Schutzklemmen angeschlossen werden. Die Funkstörungen entsprechen der Richtlinie über die elektromagnetische Übereinstimmung.

Dieses elektrische Gerät ist zum Sägen von Metallrohren und –profilen, Kunststoffrohren und –profilen, Holz und leichten Baumaterialien (Gasbeton), unter Wahl der geeigneten Sägeblätter bestimmt

### BEVOR SIE DAS GERÄT IN BETRIEB SETZEN

- Prüfen Sie, ob die auf dem Leistungsschild angegebene Spannung der Netzspannung entspricht.
- Prüfen Sie die Position des Tippschalters. Das elektrische Gerät darf an die Netzspannung nur bei ausgeschaltetem Tippschalter angeschlossen werden. Wenn Sie das Gerät bei eingeschaltetem Tippschalter an die Steckdose anschließen, besteht die Voraussetzung für einen Unfall.
- Stellen Sie sicher, dass die Anschlussleitung und der Gerätestecker in gutem Zustand sind. Kontrollieren Sie regelmäßig die Anschlussleitung des elektrischen Gerätes und lassen Sie sie bei Beschädigung von qualifiziertem Fachpersonal oder von einer autorisierten Vertrags-Kunden-dienstwerkstatt erneuern.



**WARNUNG:** Ziehen Sie den Stecker aus der Steckdose, bevor Sie Geräteeinstellungen und Wartung vornehmen, Zubehörteile wechseln oder das Gerät weglegen.

### WAHL DES GEEIGNETEN SÄGEBLATTES

Das Sägeblatt wird abhängig von der Art des bearbeiteten Materials gewählt – zum Sägen von Metall, Holz, Universalsägeblätter u.a.

Jeder der oben genannten Sägeblatttypen wird mit unterschiedlicher Schneidlänge angeboten. Bei der Wahl des geeigneten Sägeblattes ist das zu bearbeitende Material (Metall, Holz usw.) und die notwendige Länge zu beachten. Wählen Sie die Sägeblattlänge so, dass das Sägeblatt mindestens 35 mm aus dem bearbeiteten Material hinausragt. Das verringert das Risiko von Verletzungen. Abb.1)

Halten Sie Schneidwerkzeuge scharf und sauber. Sorgfältig gepflegte Schneidwerkzeuge mit scharfen Schneidkanten verklemmen sich weniger und sind leichter zu führen.



**WARNUNG:** Im Laufe des Sägens wird das Sägeblatt erhitzt. Berühren Sie das Sägeblatt nicht gleich nach dem Sägen - es besteht die Gefahr vor Hautverbrennung. Wir empfehlen, das Sägeblatt eine gewisse Zeit kühlen zu lassen. Verwenden Sie Handschuhe beim Sägeblattaustausch.

### MONTAGE UND AUSTAUSCH DES SÄGEBLATTES

1. Stellen Sie sicher, dass der Stecker der Anschlussleitung aus der Steckdose gezogen ist.
2. Ziehen Sie den Sechskantsteckschlüssel (8) aus dem Halter (9) heraus.
3. Legen Sie das Gerät auf eine feste und ebene Oberfläche, wie es auf Bild 2 gezeigt ist. Sägen Sie zur Montage des Sägeblattes (13) nicht auf die Knickschutzfülle der Anschlussleitung aufsetzen, da sonst die Anschlussleitung beschädigt wird.
4. Klemmschraube (10) lösen.
5. Das alte Sägeblatt (13) herausziehen.
6. Legen Sie das neue Sägeblatt (13) so, dass der Zentrierstift (14) in die Zentrieröffnung am Halter passt.
7. Klemmschraube (10) mit Spannplatte (11)

fest anziehen.

8. Stellen Sie sicher, dass das Sägeblatt (13) gut in der Nut der Spannplatte (11) liegt.

9. Klemmschraube (10) bis zum Anschlag fest anziehen.

10. Den Sechskantsteckschlüssel (8) zurück in den Halter (9) stecken.

Sorgfältige und genaue Ausführung der obengenannten Schritte gewährleisten eine stabile und zuverlässige Fixierung des Sägeblattes am Gerät. Die Fixierung des Sägeblattes erfolgt durch die genaue Anpassung zwischen dem Sägeblatt, dem Sägeblattdruckstück und der Spannplatte, sowie auch durch die genau ausgefertigte Nut in der Spannplatte. Der Zentrierstift hat nicht die Aufgabe, das Sägeblatt zu halten und Belastungen während des Sägens zu übernehmen.

▪ **Inbetriebnahme:** Halten Sie die Säbelsäge fest und stabil. Stellen Sie sicher, dass das Sägeblatt andere Gegenstände nicht berührt. Schieben Sie den Überlastschutz (5) nach vorn und drücken Sie dann den Tippschalter (6).

Das Gerät hat Elektronik für stufenlose Inbetriebnahme – zuerst läuft die Maschine mit niedrigen Hubzahlen und nach 3-4 Sekunden erreicht sie die Betriebshubzahlen.

▪ **Ausschalten:** Die Maschine durch Lösen des Tippschalters (6) außer Betrieb setzen.

## HUBZAHLREGELUNG

Reglerposition	Hubzahl im Leerlauf	Metall	Holz	Kunststoff	Keramik, Gasbeton
G	2200	+	+	-	-
F	2050	+	+	-	-
E	1750	+	-	-	-
D	1500	+	-	-	+
C	1200	+	-	+	+
B	950	+	-	+	+
A	700	+	-	+	+

Bei falscher Montage des Sägeblattes, wird der Zentrierstift belastet, wobei er beschädigt oder abgesichert wird und einem Austausch unterliegt.

**Der Betrieb eines elektrischen Gerätes mit beschädigtem oder fehlendem Zentrierstift ist nicht zugelassen!**

Kann die Klemmschraube nicht mehr fest angezogen werden, da deren Innensechskant oder der Innensechskantschlüssel abgenutzt ist, schert der Zentrierstift ab. Deshalb rechtzeitig abgenutzte Klemmschraube und Innensechskantschlüssel erneuern.

## INBETRIEBNAHME - AUSSERBETRIEBSETZUNG



**WARNUNG:** Bevor Sie das Gerät in Betrieb setzen, prüfen Sie, ob die auf dem Leistungsschild angegebene Spannung der Netzspannung entspricht.

Die optimale Hubzahl unterscheidet sich bei den verschiedenen Materialien und hängt von einer Vielzahl von Faktoren ab (dem bearbeiteten Material, dem Typ des benutzten Sägeblattes, der Zugänglichkeit der Schnittstelle usw.). Die optimale Hubzahl für die entsprechende Anwendung wird versuchsmäßig ermittelt. Für die Erstauswahl der Hubzahl benutzen Sie die Tabelleninformation. Drehen Sie das Stellrad des Hubzahlreglers so, dass die gewünschte Position (Buchstabe) neben dem Zeichen (▼) steht.

## SÄGEN

Halten Sie immer das elektrische Gerät so, wie es auf dem Bild 3 gezeigt ist – es besteht das Risiko eines elektrischen Schlages. Wenn während des Betriebs die Säge eine Spannungsleitung berührt, dann sind der Reduktor der Maschine, der vordere Stützschuh und das Sägeblatt stromleitend. Halten Sie das Gerät am hinteren Hebel (4) und am Kunststoffgehäuse (2), um das Risiko eines elektrischen Schlages zu vermindern.

### **Sägen mit Führungshalter (rechtwinkliges Sägen)**

Befestigen Sie den Führungshalter (20) so an der Maschine, dass die Achse (19) des Führungshalters in der Anschlussöffnung (15) und der Begrenzungsstift (17) in der Profilverlaufnut (16) laufen.

Beachten Sie, dass das Prisma des Führungshalters stets frei von Spänen gehalten wird, da sonst der rechtwinklige Schnitt beeinträchtigt wird.

Führungshalter (20) montieren. Säge mit Führungshalter an das Rohr anlegen, so dass die Spannschraube (18) senkrecht steht.

Die Spannschraube anziehen, ohne das Rohr zu beschädigen.

Schalter (6) unter gleichzeitigem Umfassen des Motorgriffes drücken bzw. Hebel (4) betätigen und Säge hochziehen bis Rohr bzw. Profil durchgesägt ist.

Ansägen kann, insbesondere bei großen Durchmessern (z.B. 2") dadurch verbessert werden, dass die Maschine erst eingeschaltet wird, wenn das Sägeblatt bereits am Rohr anliegt.

Zum Erreichen optimaler Sägeschwindigkeit und zur Schonung des Sägeblattes nur mäßigen Vorschubdruck wählen.

Starker Druck erhöht die Sägeschwindigkeit nicht!

### **Handgeführtes Sägen**

Wir empfehlen das zu sägende Material in einer Spannvorrichtung zu befestigen.

Für gerade Schnitte oder Kurvenschnitte (beim Sägen von Holz, Kunststoffen, Gasbeton usw.) Stützschar (1) kräftig gegen das Material drücken, so dass der Stützschar (6) ständig am zu sägenden Material anliegt.

Nur scharfe und einwandfreie Sägeblätter verwenden.

Gleichmäßiger Vorschubdruck ist Voraussetzung für schnelles, leichtes und genaues Sägen. Starker Druck erhöht die Sägeschwindigkeit nicht und führt zur Überlastung der Maschine und des Sägeblattes.

Während des Sägens muss die Maschine weiterhin kräftig gegen das zu sägende Material gedrückt werden.

Anschlussleitung immer nach hinten von der Maschine wegführen.

### **Tauchsägen in eine Fläche (Bild. 4)**

Ist ein Material nicht zu hart, wie z. B. Holz oder Leichtbaustoffe, dann kann man das Sägeblatt vorsichtig sägend in das Material eintauchen.

Hierzu Säge ausgeschaltet mit der Unterkante des Stützschar (1) und der Spitze des Sägeblattes (13) auf die Schnittstelle aufsetzen,

Säge einschalten und Sägeblatt vorsichtig sägend in das Material eintauchen.

Bei härteren Materialien wird das Tauchsägen nicht empfohlen, es besteht die Gefahr von Verletzungen.

Bei härterem Material wie Metall, ist eine dem Sägeblatt entsprechend große Bohrung vorzusehen.

Es ist wichtig, dass der Stützschar (6) immer kräftig gegen das zu sägende Material gedrückt wird. Dadurch wird ein gleichmäßiger, vibrationsarmer Sägeablauf erzielt.

### **Schmiermittel**

Beim Sägen von Stahlrohren und -profilen verwenden Sie Schmiermittel mit niedriger Viskosität, die das Auswerfen der Späne aus dem Sägeschlitz erleichtern und die Temperatur im Sägebereich herabsetzen. Das Verwenden von Schmiermitteln verlängert die Standzeit des Sägeblattes.

Verwenden Sie auf keinen Fall Schmiermittel mit hoher Viskosität. Diese behindern das Auswerfen der Späne aus dem Sägeschlitz und verkürzen dadurch die Standzeit des Sägeblattes.

### **Intensität der Verwendung**

Das Elektrowerkzeug wird von einem Elektromotor betrieben, der ausreichende Leistung zum Schneiden von Stahlrohren 6" (Ø170) abgibt. Die Energie, die beim Schneiden von Stahlrohren sowie massiven Metall- und Holzteilen mit Maßen über Ø120 mm abgegeben wird, führt zu einer bedeutenden Temperaturerhöhung des Gerätegetriebes.

Obwohl im Getriebe ein spezielles Hochtemperaturfett benutzt wird, kann die Überhitzung zur Verdampfung des Öls vom Fett und zum Qualmen aus dem Gerätegetriebe führen. Das ist ein Zeichen, dass Sie das Gerät thermisch überlastet haben. In einem solchen Fall das Gerät in die befugte Kundendienstwerkstatt für SPARKY-Elektrowerkzeuge zur Diagnostik bringen.

Zur Vermeidung einer thermischen Überlastung des Elektrowerkzeugs empfehlen wir Ihnen, das Gerät nach jeder länger anhaltenden Operation auszuschalten und auf Raumtemperatur abkühlen zu lassen. Falls Sie die hohe Temperatur am Getriebe auch mit Schutzhandschuhen spüren, ist das ein Zeichen, dass eine thermische Überlastung beginnt.

## **ZUBEHÖR**

Führungshalter (2" bis 6");  
Sechskantsteckschlüssel (S4);  
Sägeblätter.



## Wartung

---



**WARNUNG:** Ziehen Sie den Stecker aus der Steckdose, bevor Sie jede Inspektion oder Wartung vornehmen.

### INSTANDSETZUNG DER KOHLEBÜRSTEN

---

Das elektrische Gerät hat selbstausschaltende Kohlebürsten. Diese verschleifen und müssen deshalb von Zeit zu Zeit von einer autorisierten SPARKY Vertrags-Kundendienstwerkstatt geprüft bzw. ausgetauscht werden.

### INSTANDHALTUNG

---

Prüfen Sie regelmäßig ob alle Stützelemente fest angezogen sind. Falls eine Klemmschraube gelöst ist, unverzüglich anziehen, um Risiken zu vermeiden.

Wenn die Anschlussleitung beschädigt ist, muss sie von einer autorisierten SPARKY Vertrags-Kundendienstwerkstatt ausgetauscht werden.

### REINIGUNG

---

Pflegen Sie das elektrische Gerät und die Entlüftungsöffnungen (3) mit Sorgfalt. Kontrollieren Sie, ob bewegliche Geräteteile einwandfrei funktionieren und nicht klemmen, ob Teile gebrochen oder so beschädigt sind, dass die Funktion des elektrischen Gerätes beeinträchtigt ist. Verwenden Sie eine weiche Bürste und/oder Pressluft, um Staub zu entfernen. Tragen Sie eine Schutzbrille während der Reinigung. Reinigen Sie den Gerätekörper mit einem weichen, feuchten Tuch und leichtem Spülmittel.



**WARNUNG:** Die Verwendung von Spiritus, Benzin oder anderen Lösmitteln ist nicht zugelassen. Verwenden Sie keine ätzenden Reinigungsmittel für die Kunststoffteile.



**WARNUNG:** Das Eindringen von Wasser in das Elektrogerät ist nicht ratsam.

**ACHTUNG!** Um den sicheren und zuverlässigen Betrieb des Elektrowerkzeuges sicherzustellen, lassen Sie alle Geräteeinstellungen, Reparatur- und Wartungstätigkeiten (einschließlich der Inspektion und Instandsetzung der Kohlebürsten)

von einer autorisierten SPARKY Vertrags-Kundendienstwerkstatt durchführen.

## Garantie

---

Die Garantiefrist der SPARKY-Elektrowerkzeuge wird im Garantieschein bestimmt.

Schäden, die auf natürliche Abnutzung, Überlastung oder unsachgemäße Handhabung zurückzuführen sind, bleiben von der Garantie ausgeschlossen.

Schäden, die durch Material- und/oder Herstellerfehler entstanden sind, werden unentgeltlich durch Ersatzlieferung oder Reparatur beseitigt. Beanstandungen bezüglich eines beschädigten SPARKY-Elektrowerkzeugs können nur anerkannt werden, wenn das Gerät unzerlegt (im ursprünglichen Zustand) dem Lieferanten oder der befugten Kundendienstwerkstatt vorgelegt wird.

## Hinweise

---

Lesen Sie sorgfältig die ganze Betriebsanleitung bevor Sie beginnen, das Erzeugnis zu verwenden.

Der Hersteller behält sich das Recht vor, Verbesserungen und Änderungen in seinen Erzeugnissen einzuführen und die Spezifikationen ohne Voranmeldung zu ändern.

Die Spezifikationen können sich in den verschiedenen Ländern unterscheiden.



# Sommaire

Introduction .....	21
Données techniques .....	23
Avertissements de sécurité généraux pour l'outil.....	24
Avertissements de sécurité de la scie sabre .....	25
Présentation de l'outil électrique.....	A/26
Consignes le travail .....	B/27
Entretien .....	30
Garantie .....	31

## DEBALLAGE

Grâce aux techniques modernes de fabrication, il est improbable que votre outil soit défectueux ou qu'une pièce soit manquante. Si toutefois vous trouvez une anomalie, n'utilisez pas l'outil avant que les pièces aient été remplacées ou le défaut corrigé. Ne pas observer cette règle pourrait causer des blessures graves.

## MONTAGE

La scie sabre est fournie entièrement montée à l'exception de la lame. La lame est choisie compte tenu de l'application (coupe de métal, de bois, de panneaux de copeaux de bois, de matière plastique, etc.); une fois choisie, elle est montée sur la machine.

## Introduction

---

Votre nouvel outil a été conçu et produit selon tous les standards de qualité pour répondre aux exigences les plus élevées. Son exploitation est facile et sécurisée. Et avec une utilisation correcte il vous servira longtemps.

### AVERTISSEMENT!



Lire attentivement cette notice originale avant d'utiliser votre nouvel outil. Prêter attention aux sections «Avertissement». Votre outil électrique possède des caractéristiques qui facilitent votre travail.

Cet instrument a été conçu et produit selon toutes les exigences de sécurité pour que son usage et son entretien soient faciles.



### **Ne pas jeter les outils électroportatifs avec les ordures ménagères!**

Les déchets provenant d'outils électroportatifs ne doivent pas être ramassés avec les ordures ménagères. Prière de recycler sur les lieux qui y sont spécialement destinés. Contacter les autorités locales ou un représentant pour des consultations concernant le recyclage.

### RESPECT DE L'ENVIRONNEMENT



Récupération des matières premières plutôt qu'élimination des déchets. En vue à la protection de l'environnement, les appareils, comme d'ailleurs leurs accessoires et emballages, doivent pouvoir suivre chacun une voie de recyclage appropriée. Nos pièces en matières artificielles ont été marquées en vue d'un recyclage sélectif des différents matériaux.

## LÉGENDE

L'outil électrique porte une plaque décrivant les signes spéciaux. Ils apportent une information importante quant au produit ou des instructions d'utilisation.



Double isolation pour une meilleure sécurité.



Conforme aux directives européennes applicables.



Conforme aux exigences des règlements de l'Union douanière.



En conformité avec les exigences des standards ukrainiens.




Lisez la notice originale.

YYYY-Www Période de production, où, les symboles variables sont les suivants :  
YYYY - année de production,  
ww – le numéro de la semaine du calendrier.

TSB Scie sabre.

# Données techniques

Modèle	TSB 1300C	TSB 1300CE
▪ Puissance absorbée	1300 W	1300 W
▪ Vitesse à vide	2200 min <sup>-1</sup>	700-2200 min <sup>-1</sup>
▪ Course de la lame	30 mm	30 mm
▪ Dimension prévue pour la fixation de la queue de la lame	12,7; 20 mm	12,7; 20 mm
▪ Dimension maximale lors de la coupe libre**	Ø6" (170 mm)	Ø6" (170 mm)
▪ Dimension maximale lors de la coupe avec étrier**	Ø6" (170 mm)	Ø6" (170 mm)
▪ Longueur totale	585 mm	605 mm
▪ Poids (procédure EPTA 01/2014)	3,5 kg	3,6 kg
▪ Classe de protection (EN 60745-1) 	II	II

## INFORMATION SUR LE BRUIT ET LES VIBRATIONS

Valeurs mesurées conformément à EN 60745.

### ▪ Emission de bruit

A-niveau pondéré de pression sonore L <sub>PA</sub>	87 dB (A)	87 dB (A)
Incertitude K <sub>PA</sub>	3 dB	3 dB
A-niveau pondéré de puissance sonore L <sub>WA</sub>	98 dB (A)	98 dB (A)
Incertitude K <sub>WA</sub>	3 dB	3 dB

### Utilisez des moyens de protection contre de bruit!

### ▪ Emission de vibrations \*

Valeur globale des vibrations (somme vectorielles sur les trois axes) selon EN 60745:

#### Coupe du bois

Valeur des vibrations émises a <sub>h,CW</sub>	25 m/s <sup>2</sup>	25 m/s <sup>2</sup>
Incertitude K <sub>h,CW</sub>	1,5 m/s <sup>2</sup>	1,5 m/s <sup>2</sup>

#### Coupe des tubes métalliques avec étrier pour la coupe perpendiculaire

Valeur des vibrations émises a <sub>h,CM</sub>	12,3 m/s <sup>2</sup>	12,3 m/s <sup>2</sup>
Incertitude K <sub>h,CM</sub>	1,7 m/s <sup>2</sup>	1,7 m/s <sup>2</sup>

\* Vibrations déterminées conformément au point 6.2.7 de EN 60745

\*\* Veuillez lire le texte du point «Intensité d'utilisation».

L'amplitude d' l'accélération indiquée dans ces instructions d'utilisation a été mesurée suivant les méthodes de mesurage conformément à la norme EN 60745 et peut être utilisée pour une comparaison d'appareils. Le niveau de vibration peut être utilisé pour faire une estimation provisoire du degré d'influence vibratoire.

Le niveau de vibration annoncé concerne la fonction principale de l'outil. Dans des cas où l'outil est destinée à une autre utilisation ou avec d'autres accessoires, ou s'il est mal entretenu, le niveau de vibration peut s'écarter de celui qui a été indiqué. Si c'est le cas, le degré d'influence peut fortement augmenter au cours de l'utilisation

Pour une estimation précise de l'influence vibratoire pendant un certain temps d'utilisation, il est recommandé de prendre aussi en considération les espaces de temps pendant lesquels l'appareil est éteint ou sous tension, mais pas vraiment utilisé. Ceci peut réduire considérablement l'influence vibratoire pendant toute la durée du travail.

Entretenez l'outil et ses accessoires en bon état. Gardez vos mains chaudes au cours de son utilisation – cela va diminuer les conséquences négatives lorsque vous travaillez à des hauts degrés de vibrations.

Les poussières de matériaux tels que peintures contenant du plomb, certains bois, minéraux ou métaux, peuvent être nuisibles à la santé. Toucher ou aspirer les poussières peut entraîner des réactions allergiques et/ou des maladies respiratoires auprès de l'utilisateur ou de personnes se trouvant à proximité.

Certaines poussières telles que les poussières de chêne ou de hêtre sont considérées cancérigènes, surtout en connexion avec des additifs pour le traitement de bois (chromate, lazure). Les matériaux contenant de l'amiante ne doivent être travaillés que par des personnes qualifiées.

- Si possible, utilisez une aspiration des poussières.
- Veillez à bien aérer la zone de travail.
- Il est recommandé de porter un masque respiratoire de la classe de filtre P2.

Respectez les règlements en vigueur dans votre pays spécifiques aux matériaux à traiter.

# Avertissements de sécurité généraux pour l'outil



**AVERTISSEMENT!** Lire tous les avertissements de sécurité et toutes les instructions. Ne pas suivre les avertissements et instructions peut donner lieu à un choc électrique, un incendie et/ou une blessure sérieuse.

Conserver tous les avertissements et toutes les instructions pour pouvoir s'y reporter ultérieurement.

Le terme «outil» dans les avertissements fait référence à votre outil électrique alimenté par le secteur (avec cordon d'alimentation) ou votre outil fonctionnant sur batterie (sans cordon d'alimentation).

## 1) Sécurité de la zone de travail

- Conservier la zone de travail propre et bien éclairée. Les zones en désordre ou sombres sont propices aux accidents.
- Ne pas faire fonctionner les outils électriques en atmosphère explosive, par exemple en présence de liquides inflammables, de gaz ou de poussières. Les outils électriques produisent des étincelles qui peuvent enflammer les poussières ou les fumées.
- Maintenir les enfants et les personnes présentes à l'écart pendant l'utilisation de l'outil. Les distractions peuvent vous faire perdre le contrôle de l'outil.

## 2) Sécurité électrique

- Il faut que les fiches de l'outil électrique soient adaptées au socle. Ne jamais modifier la fiche de quelque façon que ce soit. Ne pas utiliser d'adaptateurs avec des outils à branchement de terre. Des fiches non modifiées et des socles adaptés réduiraient le risque de choc électrique.
- Éviter tout contact du corps avec des surfaces reliées à la terre telles que les tuyaux, les radiateurs, les cuisinières et les réfrigérateurs. Il existe un risque accru de choc électrique si votre corps est relié à la terre.
- Ne pas exposer les outils à la pluie ou à des conditions humides. La pénétration d'eau à l'intérieur d'un outil augmentera le risque de choc électrique.

- Ne pas maltraiter le cordon. Ne jamais utiliser le cordon pour porter, tirer ou débrancher l'outil. Maintenir le cordon à l'écart de la chaleur, du lubrifiant, des arêtes ou des parties en mouvement. Des cordons endommagés ou emmêlés augmentent le risque de choc électrique.
- Lorsqu'on utilise un outil à l'extérieur, utiliser un prolongateur adapté à l'utilisation extérieure. L'utilisation d'un cordon adapté à l'utilisation extérieure réduit le risque de choc électrique.
- Si l'usage d'un outil dans un emplacement humide est inévitable, utiliser une alimentation protégée par un dispositif à courant différentiel résiduel (RCD). L'usage d'un RCD réduit le risque de choc électrique.

## 3) Sécurité des personnes

- Rester vigilant, regarder ce que vous êtes en train de faire et faire preuve de bon sens dans votre utilisation de l'outil. Ne pas utiliser un outil lorsque vous êtes fatigué ou sous l'emprise de drogues, d'alcool ou de médicaments. Un moment d'inattention en cours d'utilisation d'un outil peut entraîner des blessures graves des personnes.
- Utiliser un équipement de sécurité. Toujours porter une protection pour les yeux. Les équipements de sécurité tels que les masques contre les poussières, les chaussures de sécurité antidérapantes, les casques ou les protections acoustiques utilisés pour les conditions appropriées réduiront les blessures de personnes.
- Éviter tout démarrage intempestif. S'assurer que l'interrupteur est en position arrêt avant de brancher l'outil au secteur et/ou au bloc de batteries, de le ramasser ou de le porter. Porter les outils en ayant le doigt sur l'interrupteur ou brancher des outils dont l'interrupteur est en position marche est source d'accidents.
- Retirer toute clé de réglage avant de mettre l'outil en marche. Une clé laissée fixée sur une partie tournante de l'outil peut donner lieu à des blessures de personnes.
- Ne pas se précipiter. Garder une position et un équilibre adaptés à tout moment. Cela permet un meilleur contrôle de l'outil dans des situations inattendues.
- S'habiller de manière adaptée. Ne pas porter de vêtements amples ou de bijoux. Garder les cheveux, les vêtements

et les gants à distance des parties en mouvement. Des vêtements amples, des bijoux ou les cheveux longs peuvent être pris dans des parties en mouvement.

g) Si des dispositifs sont fournis pour le raccordement d'équipements pour l'extraction et la récupération des poussières, s'assurer qu'ils sont connectés et correctement utilisés. Utiliser des collecteurs de poussière peut réduire les risques dus aux poussières.

#### 4) Utilisation et entretien de l'outil

- a) **Ne pas forcer l'outil. Utiliser l'outil adapté à votre application.** L'outil adapté réalisera mieux le travail et de manière plus sûre au régime pour lequel il a été construit.
- b) **Ne pas utiliser l'outil si l'interrupteur ne permet pas de passer de l'état de marche à arrêt et vice versa.** Tout outil qui ne peut pas être commandé par l'interrupteur est dangereux et il faut le réparer.
- c) **Débrancher la fiche de la source d'alimentation en courant et/ou le bloc de batteries de l'outil avant tout réglage, changement d'accessoires ou avant de ranger l'outil.** De telles mesures de sécurité préventives réduisent le risque de démarrage accidentel de l'outil.
- d) **Conserver les outils à l'arrêt hors de la portée des enfants et ne pas permettre à des personnes ne connaissant pas l'outil ou les présentes instructions de le faire fonctionner.** Les outils sont dangereux entre les mains d'utilisateurs novices.
- e) **Observer la maintenance de l'outil. Vérifier qu'il n'y a pas de mauvais alignement ou de blocage des parties mobiles, des pièces cassées ou toute autre condition pouvant affecter le fonctionnement de l'outil. En cas de dommages, faire réparer l'outil avant de l'utiliser.** De nombreux accidents sont dus à des outils mal entretenus.
- f) **Garder affûtés et propres les outils permettant de couper.** Des outils destinés à couper correctement entretenus avec des pièces coupantes tranchantes sont moins susceptibles de bloquer et sont plus faciles à contrôler.
- g) **Utiliser l'outil, les accessoires et les lames etc., conformément à ces instructions, en tenant compte des conditions de travail et du travail à réaliser.** L'utilisation de l'outil pour des opérations différentes de celles prévues pourrait donner lieu à des situations dangereuses.

#### 5) Maintenance et entretien

- a) **Faire entretenir l'outil par un réparateur qualifié utilisant uniquement des pièces de rechange identiques.** Cela assurera que la sécurité de l'outil est maintenue.

## Avertissements de sécurité de la scie sabre



**AVERTISSEMENT:** Avant de brancher l'outil électrique au réseau d'alimentation électrique, assurez-vous que la tension de celui-ci est bien celle indiquée sur la plaquette contenant les caractéristiques techniques de cet outil électrique.

- Une source de courant à tension plus élevée que celle indiquée pour l'outil peut causer à l'opérateur de sérieux dommages dus au courant électrique et en outre endommager l'outil.
- Si vous avez des hésitations à ce sujet, ne branchez pas l'outil au réseau électrique.
- L'utilisation d'une source d'alimentation à tension plus basse que celle indiquée sur la plaquette de l'appareil électrique endommagera le moteur électrique.



**Utilisez des protecteurs auditifs.** Le bruit intensif émis lors du travail peut entraîner des troubles de l'audition.



**Pendant le travail, utilisez des dispositifs pour la protection des yeux contre les fragments volants.** Porter des lunettes de protection.



**Prenez des mesures qui vous éviteront l'inhalation de poussières.** Certains matériaux peuvent contenir des composants toxiques. Portez donc un masque protégeant de la poussière. Utilisez un dispositif pour l'élimination de la poussière s'il est possible de raccorder celui-ci à l'instrument électrique.



- Porter des gants de protection.**
- Tenir l'outil uniquement par les surfaces de préhension isolantes, pendant les opérations au cours desquelles l'accessoire coupant peut être en contact avec des conducteurs cachés ou avec son propre

**câble.** Le contact de l'accessoire coupant avec un fil „sous tension” peut également mettre „sous tension” les parties métalliques exposées de l'outil électrique et provoquer un choc électrique sur l'opérateur.



**AVERTISSEMENT:** Arrêtez toujours l'appareil et débranchez-le du réseau avant d'effectuer sur celui-ci tout réglage et opération de service ou d'entretien.

- A la suite d'un long travail, les parties métalliques extérieures et les accessoires peuvent devenir très chauds. Ne touchez pas l'outil de travail ou la pièce traitée immédiatement après la fin du travail : ils peuvent être très chauds et vous risquez de vous brûler.
- Veillez à ce que vos mains n'entrent pas en contact avec les pièces en mouvement.
- Chaque fois que possible, utilisez des dispositifs de fixation ou un étau pour fixer la pièce traitée.
- Débranchez toujours la scie sabre et attendez l'arrêt de du mouvement avant de mettre l'appareil de côté.
- Ne surchargez pas l'appareil: travaillez en exerçant une pression moyenne. La surcharge est causée par l'application d'une pression trop forte lors de laquelle le moteur électrique ralentit sa vitesse de rotation, ce qui crée des conditions de fonctionnement inefficace et peut éventuellement endommager le moteur de l'appareil.
- Ne jamais laisser traîner dans la zone de travail des chiffons, des fils, de l'étaupe, etc.
- Avant d'utiliser l'appareil électrique sur une pièce concrète, mettez-le en marche et laissez-le fonctionner à vide un certain temps pour vous assurer qu'il fonctionne normalement. Pendant le travail, l'instrument doit se trouver à au moins 200 mm de votre visage et de votre corps.
- Gardez toujours votre corps dans un équilibre stable. Lorsque vous travaillez avec l'appareil à un endroit élevé, assurez-vous qu'au-dessous de vous il n'y a personne.
- Tenez l'appareil fermement en mains.
- L'appareil doit être utilisé uniquement pour les travaux pour lesquels il a été prévu. Toute autre utilisation, différente que celle décrite dans la présente instruction, doit être considérée comme abusive. Le producteur décline toute responsabilité en cas de dommage ou de blessure causée par une utilisation abu-

sive, cette responsabilité étant alors entièrement assumée par l'utilisateur.

- Afin d'utiliser l'appareil correctement, vous devez respecter les règles de sécurité, les consignes générales et celles concernant l'exploitation qui figurent dans le présent document. Tous les utilisateurs doivent avoir pris connaissance de cette instruction d'utilisation et être informés sur les risques potentiels lors du travail avec l'appareil électrique. Les enfants et les personnes ne possédant pas la force physique nécessaire ne doivent pas utiliser l'appareil. Les enfants se trouvant dans la zone de travail doivent être sous une surveillance incessante. Il est indispensable que vous preniez également des mesures de sécurité préalables. Ceci est également valable pour les principales consignes concernant la salubrité et la sécurité du travail.
- Le producteur décline toute responsabilité en cas de modifications apportées à l'appareil électrique qui ont endommagé celui-ci.
- L'appareil électrique ne doit être utilisé à l'extérieur lorsqu'il pleut, dans un milieu humide (après la pluie) ou à proximité de liquides et de gaz facilement inflammables. Le lieu de travail doit être bien éclairé.

## Présentation de l'outil

Avant de commencer le travail avec la scie sabre, prenez connaissance des particularités de son fonctionnement et des conditions de sécurité à respecter.

L'outil et ses accessoires doivent être utilisés uniquement pour les travaux pour lesquels ils ont été prévus. Toute autre utilisation est strictement interdite.

1. Semelle
2. Etui en caoutchouc
3. Orifices de ventilation
4. Poignée accessoire
5. Bouton de verrouillage
6. Interrupteur
7. Protection du câble
8. Clé hexagonale
9. Dispositif de fixation
10. Vis
11. Plaquette
12. Piston
13. Lame
14. Broche de centrage

- 15. Orifice de raccordement
- 16. Canal à profil
- 17. Broche de butée
- 18. Vis de serrage
- 19. Axe
- 20. Etai
- 21 Régulateur électronique de la vitesse (TSB 1300CE)

## Consignes le travail

Cet outil électrique est alimenté uniquement par un courant alternatif monophasé. Il possède une double isolation, conformément à EN 60745-1 et IEC 60745 et peut être branché à des prises qui ne possèdent pas de bornes de protection. Les brouillages radiophoniques sont conformes à la Directive de conformité électromagnétique. Cet outil électrique est destiné à couper des tubes et des profils en métal et matières plastiques, en bois et en matériaux de construction légers (béton au gaz), moyennant l'utilisation des lames appropriées.

### AVANT LE DEBUT DU TRAVAIL

- Assurez-vous que la tension du secteur correspond à celle indiquée sur la plaquette contenant les données techniques sur l'outil.
- Vérifiez la position de l'interrupteur. L'appareil doit être toujours branché et débranché du secteur lorsque son interrupteur est en position OFF. Si vous branchez l'appareil au secteur son interrupteur étant en position de marche, l'appareil se mettra immédiatement à fonctionner, ce qui crée un danger d'accident.
- Assurez-vous que le câble électrique et sa fiche sont en parfait état. Si le câble d'alimentation est endommagé, il doit être remplacé par le producteur ou un spécialiste agréé par celui-ci pour le service après vente afin que soient évités les éventuels risques liés à son remplacement.



**AVERTISSEMENT:** Arrêtez toujours l'appareil et débranchez-le du réseau avant d'effectuer sur celui-ci tout réglage et opération de service ou d'entretien.

### CHOIX DE LA LAME

La lame est choisie compte tenu du matériau à

traiter - coupe de métal, de bois, coupe universelle, etc.

Pour chaque type de lame mentionné ci-dessus sont proposées des longueurs différentes de la partie coupante.

Lors du choix de la lame convenable, il faut prendre en considération la nature du matériau à traiter (métal, bois, etc.), de même que la longueur nécessaire. Choisissez la longueur de la lame de façon à ce qu'elle dépasse obligatoirement l'épaisseur du matériau traité d'au moins 35 mm. En respectant cette règle, vous réduirez au minimum le danger d'être blessé dans le courant du travail (fig. 1).

Pour obtenir le maximum de rendement et réussir une coupe précise, de même que pour conserver la lame bien affûtée et augmenter sa longévité, utilisez toujours une lame dont la longueur et la destination correspondent à l'opération en cours.



**AVERTISSEMENT:** Lors de la coupe, la lame atteint une haute température. Evitez de toucher la lame immédiatement après la fin du travail, car vous risquez de vous brûler. Nous vous recommandons de laisser la scie un instant, le temps que la lame se refroidisse, de même que d'utiliser des gants lors du remplacement de cette-ci.

### METTRE EN PLACE ET ENLEVER LA LAME

1. Assurez-vous que la fiche du câble d'alimentation est débranchée du secteur.
2. Sortez la clé hexagonale (8) de son support (9).
3. Placez l'appareil couché sur une surface dure et plane, comme il est indiqué sur la Fig. 2. Lors du remplacement de la lame (13), il est interdit de placer l'appareil de façon à ce qu'il pèse sur la protection du câble 7 - ceci peut entraîner la détérioration du câble d'alimentation et créer un danger d'électrocution.
4. Dévissez la vis (10) jusqu'à ce que la tête de celle-ci touche la paroi du couvercle.
5. Procédez attentivement à l'extraction de la vieille lame (13).
6. Placez la nouvelle lame 13 de façon à ce que la broche de centrage (14) pénètre dans l'orifice de centrage situé dans la queue de la lame.
7. Vissez attentivement la visse de fixation (10) jusqu'à ce que la palette (11) atteigne la lame (13).



8. Assurez-vous que la lame (13) est bien entrée dans sa rainure ménagée dans la palette (11).

9. Serrez la vis (10) au maximum.

10. Placez la clé hexagonale (8) dans son support (9).

L'exécution attentive et précise des opérations décrites ci-dessus garantit la fixation stable et fiable de la lame à l'appareil.

La fixation de la lame est assurée par les forces qui s'exercent entre elle, le piston et la palette, de même que par la précision de la rainure dans la palette, qui correspond exactement à la queue de la lame. La broche de centrage ne sert qu'à l'orientation initiale de la lame lors de son montage et elle n'est pas destinée à supporter de fortes pressions lors des travaux de coupe.

En cas de montage incorrect de la lame, la broche de centrage sera soumise à de fortes pressions, ce qui peut entraîner une déformation ou un cisaillement, après quoi, l'appareil doit être porté à l'atelier d'entretien pour le remplacement de la broche de centrage.

**Ne jamais travailler avec un appareil dont la broche de centrage est déformée ou absente!**

## MARCHE - ARRET



**AVERTISSEMENT:** Avant de brancher l'outil électrique au réseau d'alimentation électrique, assurez-vous que la tension de celui-ci est bien celle indiquée sur la plaquette contenant les caractéristiques techniques de cet outil électrique.

▪ **Mise en marche:** Prenez la scie et tenez-la solidement et de manière stable avec les deux mains. Assurez-vous que la lame n'est pas en contact avec d'autres objets. Poussez en avant le bouton de verrouillage (5), puis pressez sur l'interrupteur (6).

L'appareil est doté d'un dispositif électronique assurant le démarrage progressif, de sorte qu'il démarre à vitesse réduite et atteint sa vitesse de fonctionnement au bout de 3 à 4 secondes.

▪ **Arrêt:** Pour arrêter l'appareil, libérez l'interrupteur (6).

## RÉGLAGE DE LA VITESSE

Position du régulateur	Nombre de tours en marche à vide	Métal	Bois	Matières plastiques	Céramique, béton au gaz
<b>G</b>	2200	+	+	-	-
<b>F</b>	2050	+	+	-	-
<b>E</b>	1750	+	-	-	-
<b>D</b>	1500	+	-	-	+
<b>C</b>	1200	+	-	+	+
<b>B</b>	950	+	-	+	+
<b>A</b>	700	+	-	+	+

Si la vis de serrage ne peut pas serrer avec la force nécessaire le mécanisme de fixation en raison d'une usure du logement hexagonal dans cette vis, d'une usure du filet de la vis ou de la clé hexagonale, il se produira une déformation ou le cisaillement de la broche de centrage. C'est la raison pour laquelle une vis de serrage ou une clé hexagonale usées doivent être immédiatement remplacés.

La valeur optimale de la vitesse pour les différents matériaux diffère en raison de différents facteurs (le matériau traité, la lame utilisée pour le coupage, l'accessibilité à la zone de coupage; etc.). La vitesse optimale pour l'application respective est à découvrir à l'aide d'essais dans le courant du travail. Utilisez l'information figurant dans le tableau lors du choix initial de la vitesse. Tournez la petite roue du régulateur électronique de la vitesse de façon à ce que la position (le caractère) que vous avez choisi vienne se placer en face du marqueur (▼).

## COUPE

Tenez toujours l'appareil électrique comme il

est indiqué sur la Fig. 3, afin d'éviter le danger d'électrocution. Si pendant le travail la scie vient à entrer en contact avec un fil électrique sous tension, le réducteur de l'appareil, la semelle avant et la lame transmettront le courant. Tenez la machine par le manche arrière (4) et l'étui en caoutchouc (2) pour réduire au minimum le danger d'électrocution.

#### **Coupe avec étau pour la coupe perpendiculaire**

Fixez l'étau (20) pour la coupe perpendiculaire à l'appareil, de façon à ce que l'axe (19) de l'étau passe par l'orifice de fixation (15) de la machine, alors que la broche de butée (17) pénètre dans le canal à profil (16).

Veillez à ce que le prisme de l'étrier (20) pour la coupe perpendiculaire soit propre, exempt de copeaux et d'autres saletés, car celles-ci pourraient entraîner un positionnement incorrect de la pièce à traiter, ce qui vous empêcherait d'obtenir une coupe bien perpendiculaire.

Placez l'appareil avec l'étrier (20) pour la coupe perpendiculaire sur le tube de façon à ce que la vis de serrage soit placée sous angle droit par rapport à ce tube.

Serrez bien à l'aide de la vis de serrage, en évitant toutefois de déformer le tube.

Selon la main avec laquelle il vous est plus commode de travailler, serrez d'une main la vis de serrage (18), alors qu'avec l'autre main, tenez le manche (4) de l'appareil et mettez l'appareil en marche.

En tenant le manche de l'appareil (4) et en gardant l'interrupteur en position de marche, tirez l'arrière de l'appareil pour commencer à couper. Tirez l'arrière de la machine jusqu'à avoir achevé de couper la pièce traitée.

Pour l'obtention d'un meilleur résultat, surtout lorsque vous coupez des tuyaux dont le diamètre dépasse 2", nous vous recommandons de mettre l'appareil en marche lorsque les dents de la lame sont déjà placées sur la pièce à traiter.

Pour obtenir un rendement et une vitesse de coupe optimales et pour réduire l'usure de la lame, réglez la pression sur la pièce traitée en tirant d'une manière plus ou moins forte l'arrière de l'appareil.

Une pression trop forte ne conduit pas à une augmentation de la vitesse de coupe.

#### **Coupe libre**

Nous recommandons chaque fois que cela est possible de serrer solidement la pièce traitée dans un étau ou un autre dispositif de serrage.

Pour l'obtention de coupes bien droites et propres dans le métal où en cas de coupe suivant une ligne courbe (lorsque vous coupez du bois,

du plastique, du béton à gaz, etc.), il est nécessaire que durant tout le travail de coupe la semelle (1) reste fermement appuyée sur la pièce traitée.

Utilisez uniquement des lames bien affûtées, dans un état impeccable, destinées au traitement du matériau respectif et d'une longueur correcte.

Lors de la coupe, tâchez d'exercer une pression constante. Celle-ci assure une coupe rapide, facile et précise. Une pression trop forte ne mène pas à une augmentation de la vitesse de coupe, mais à une surcharge de l'appareil et à une réduction de la durée de vie de la lame.

Pendant la coupe, tenez fermement l'appareil, la semelle (1) étant fortement pressée à la pièce traitée.

Pendant le travail, le câble d'alimentation doit être tout le temps derrière l'appareil et ne jamais entrer dans la zone de coupe.

#### **La coupe d'orifices (Fig. 4)**

Lorsque vous coupez du bois mou ou des matériaux de construction légers, il est possible de commencer par enfoncer la lame dans le matériau, puis de communiquer la forme requise à l'orifice ménagé dans la pièce traitée. A cette effet, la scie étant à l'arrêt, placez sa partie inférieure sur la semelle (1) et la pointe de la lame (13), au point initial prévu pour la coupe. Mettez la scie en marche, puis lentement et attentivement commencez à soulever la partie arrière de l'appareil en veillant à ce que la semelle (1) reste en contact permanent avec le matériel traité. Tournez la scie jusqu'à ce que la lame (13) s'enfonce entièrement dans le matériau traité, puis continuez à couper dans le sens désiré.

Lors du travail avec des matériaux plus durs, l'utilisation de la technique utilisant l'enfoncement dans le matériau n'est pas recommandée, car vous risquez de vous blesser.

Pour commencer à découper un orifice dans un matériau "dur", percez préalablement un orifice correspondant aux dimensions de la lame utilisée, à partir duquel vous commencerez la coupe.

Il est important que la semelle reste solidement pressée contre le matériau pendant la coupe. Vous obtiendrez de la sorte un travail plus régulier et un niveau de vibration plus bas.

#### **Utilisation de lubrifiants**

Lors de la coupe de pièces en acier (tuyaux, profils, etc.), vous devez utiliser des liquides lubrifiants et refroidissants à faible viscosité, qui facilitent l'élimination des copeaux et abaissent la température dans la zone de coupe. L'utilisa-

tion de liquides lubrifiants et refroidissants prolonge la durée de vie de la lame.

N'utilisez pas de liquides lubrifiants et refroidissants à haute viscosité (des huiles épaisses et des graisses), car elles rendent plus difficile l'élimination des copeaux et de la chaleur de la zone de coupe, ce qui réduit la durée de vie de la lame.

### **Intensité d'utilisation**

L'appareil électrique est entraîné par un moteur dont la puissance est suffisante pour le coupage d'un tuyau en acier 6" (Ø170). L'énergie dégagée lors de l'exécution de cette opération, de même que lors du coupage de pièces massives en métal et bois de dimensions dépassant Ø120 mm, mène à une augmentation importante de la température du réducteur de la machine.

Malgré l'utilisation dans le réducteur de la machine d'une graisse spéciale; résistant à de hautes températures, l'augmentation de la température au-dessus de la critique mène à une évaporation de l'huile contenue dans la graisse, de sorte que l'on voit apparaître de la fumée s'échapper du réducteur de la machine. C'est un signe témoignant d'une façon sûre que vous avez surchargé d'un point de vue thermique l'appareil électrique. Si ce signe apparaît, vous devez vous adresser au représentant le plus proche de SPARKY, où l'on examinera l'état de votre appareil électrique.

Afin d'éviter la surcharge thermique de l'appareil électrique, il est recommandé d'arrêter l'appareil après chaque opération plus longue pour lui permettre de revenir la température du milieu ambiant. Un bon critère permettant de déterminer le début de la surcharge thermique de l'appareil est le fait de sentir la haute température du réducteur même à travers les gants qu'on porte.

### **ACCESSOIRES**

Etrier (2" jusqu'à 6");  
Clé hexagonale (S4);  
Lames.

## **Entretien**



**AVERTISSEMENT:** Arrêtez toujours l'appareil et débranchez-le du réseau avant d'effectuer sur celui-ci toute vérification et toute opération d'entretien.

## **REEMPLACEMENT DES BALAIS**

L'appareil est doté de balais qui se déconnectent automatiquement. Lorsque les balais sont usés, il faut les remplacer les deux à la fois par des balais d'origine de SPARKY pour l'entretien de l'appareil dans le cadre de la garantie et en dehors de celle-ci.

## **EXAMEN GENERAL**

Vérifiez régulièrement tous les éléments de fixation pour vous assurer qu'ils sont solidement serrés. Si quelque vis s'est desserrée, resserrez-la immédiatement afin d'éviter tout risque. Si le câble d'alimentation est endommagé, il doit être remplacé par le producteur ou un spécialiste agréé par celui-ci afin d'éviter les éventuels risques liés à son remplacement.

## **NETTOYAGE**

Pour assurer un fonctionnement sécurisé, entretenez toujours l'appareil et ses orifices de ventilation propres (3).

Vérifiez régulièrement si dans les orifices de ventilation du moteur électrique ou autour des commutateurs il n'y a pas de poussière ni de corps étrangers. Utilisez une brosse douce et/ou un jet d'air comprimé pour éliminer la poussière accumulée à ces endroits. Afin de protéger vos yeux, lors des opérations de nettoyage, portez des lunettes de protection.

Si le boîtier de l'appareil a besoin d'être nettoyé, essuyez-le à l'aide d'un chiffon doux humide. Vous pouvez utiliser un produit de nettoyage peu agressif.



**AVERTISSEMENT:** Il est interdit d'utiliser de l'alcool, de l'essence ou d'autres solvants. N'utilisez jamais des produits agressifs pour le nettoyage des pièces en matière plastique.



**AVERTISSEMENT:** Ne pas permettre à de l'eau d'entrer en contact avec l'appareil.

**AVIS IMPORTANT!** Afin d'assurer la sécurité du travail avec l'appareil et le fonctionnement fiable de celui-ci, toutes les opérations de réparation, d'entretien et de réglage (y compris la vérification de l'état des balais et leur remplacement) doivent être effectuées dans les centres d'entre-

ten agréés de SPARKY avec l'utilisation exclusive de pièces d'origine.

## **Garantie**

---

La période de garantie des outils électroportatifs SPARKY est définie dans le contrat de garantie.

La garantie ne couvre pas les pannes apparues suite à l'usure naturelle, une surcharge ou une mauvaise exploitation.

Les pannes survenues pour cause de matériaux défectifs et/ou d'erreurs de fabrication seront réparées gratuitement ou le produit sera échangé.

Les réclamations pour un instrument SPARKY défectueux seront honorées si la machine est retournée au livreur ou est présentée à un service après-vente agréé assemblé et dans son état original (assemblée).

## **Notes**

---

Lire attentivement les instructions avant d'utiliser ce produit.

Le producteur retient son droit d'améliorer ses produits et de changer les spécifications sans avis spécial.

Les spécifications peuvent varier selon le pays.

# Indice

Introduzione .....	32
Dati tecnici .....	34
Istruzioni generali di sicurezza nel lavoro con elettroutensili .....	35
Istruzioni supplementari di sicurezza nel lavoro con la sega a sciabola .....	36
Prendere visione dell'elettroutensile .....	A/37
Istruzioni per l'uso .....	B/37
Manutenzione .....	41
Garanzia .....	42

## PRIMA DELL'USO

Prima dell'uso verificare la presenza di tutti i componenti e degli accessori elencati. In caso di mancanze o apparenti difetti rivolgersi al rivenditore specializzato. L'inosservanza di tale raccomandazione potrebbe provocare gravi incidenti.

## ASSEMBLAGGIO

La sega a sciabola viene fornita imballata e completamente montata, ad eccezione dell'impugnatura e della lama. La lama va scelta a seconda della sua applicazione (taglio di metallo, legno, pannelli truciolari, plastica, ecc.), e poi montata alla macchina.

## Introduzione

---

Questo utensile SPARKY supererà le Vostre aspettative. La produzione secondo i rigorosi standard di qualità SPARKY assicura un'ottima prestazione. Se utilizzato correttamente, l'utensile risulterà maneggevole e sicuro, e garantirà un uso duraturo.

### AVVERTENZA:



Leggere attentamente tutte le istruzioni prima dell'utilizzo dell'utensile. Leggere con cura soprattutto le parti introdotte da "Avvertenza". Questo utensile SPARKY presenta numerose caratteristiche che faciliteranno il Suo lavoro. Sicurezza, qualità ed affidabilità sono punti chiave nello sviluppo di questo utensile, e lo rendono semplice nell'uso e nella manutenzione.



#### **Non smaltire elettroutensili insieme a rifiuti domestici!**

Residui di prodotti elettrici devono essere smaltiti separatamente dai rifiuti domestici e sottoposti ad un riciclaggio ecologico. Si prega di informarsi presso le autorità locali o i rivenditori specializzati circa il più vicino luogo di raccolta.

### RISPETTO DELL'AMBIENTE



Macchina, accessori ed imballaggio devono essere destinati ad una riutilizzo ecologica per il recupero di materie prime.

I componenti in plastica sono contrassegnati per relativo riciclaggio.

## SIMBOLI

---

L'etichetta che si trova sulla macchina contiene alcuni simboli. Questi forniscono importanti informazioni sull'utensile o istruzioni sull'uso dello stesso.



Doppio isolamento per una protezione supplementare.



Conforme alle direttive europee applicabili.



Corrisponde alle esigenze dei regolamenti dell'unione doganale.



Conforme alle esigenze dei documenti normativi ucraini.




Prendere conoscenza del manuale d'uso.

YYYY-Www    Periodo di produzione, ove i simboli variabili sono:  
YYYY - l'anno di produzione,  
ww - la settimana consecutiva del calendario.

TSB            Segna a sciabola.

## Dati tecnici

Modello	TSB 1300C	TSB 1300CE
▪ Potenza assorbita	1300 W	1300 W
▪ Numero di giri a vuoto	2200 min <sup>-1</sup>	700-2200 min <sup>-1</sup>
▪ Corsa della lama	30 mm	30 mm
▪ Dimensione di fissaggio del codolo della lama	12,7; 20 mm	12,7; 20 mm
▪ Dimensione massima a taglio libero**	Ø6" (170 mm)	Ø6" (170 mm)
▪ Dimensione massima a taglio con staffa**	Ø6" (170 mm)	Ø6" (170 mm)
▪ Lunghezza d'ingombro	585 mm	605 mm
▪ Peso (la procedura EPTA 01/2014)	3,5 kg	3,6 kg
▪ Classe di protezione (EN 60745-1) 	II	II

### INFORMAZIONI SUL RUMORE E SULLE VIBRAZIONI

I valori sono stati misurati conformemente alla norma EN 60745.

#### ▪ Emissioni di rumore

A-livello di pressione sonora ponderata $L_{pA}$	87 dB(A)	87 dB(A)
Indeterminazione $K_{pA}$	3 dB	3 dB
A-livello di potenza sonora ponderata $L_{WA}$	98 dB(A)	98 dB(A)
Indeterminazione $K_{WA}$	3 dB	3 dB

#### Usare mezzi per protezione dal rumore!

#### ▪ Emissioni di vibrazioni \*

Valore totale delle vibrazioni (somma vettoriale lungo i tre assi), determinato conformemente alla norma EN 60745:

##### Taglio di legno

Valore delle vibrazioni emesse $a_{h,CW}$	25 m/s <sup>2</sup>	25 m/s <sup>2</sup>
Indeterminazione $K_{h,CW}$	1,5 m/s <sup>2</sup>	1,5 m/s <sup>2</sup>

##### Taglio di tubo metallico con staffa per taglio perpendicolare

Valore delle vibrazioni emesse $a_{h,CM}$	12,3 m/s <sup>2</sup>	12,3 m/s <sup>2</sup>
Indeterminazione $K_{h,CM}$	1,7 m/s <sup>2</sup>	1,7 m/s <sup>2</sup>

\* Le vibrazioni sono state determinate conformemente al punto 6.2.7 della norma EN 60745

\*\* Leggere il testo del punto "Intensità di utilizzo".

Il livello di vibrazione sopra indicato è stato definito seguendo il metodo di misurazione riportato nella normativa EN 60745 e può essere utilizzato per confrontare tra di loro diversi elettrotensili. Inoltre è adatto per effettuare una stima provvisoria del livello di esposizione.

Il livello di vibrazione si riferisce alle modalità d'uso principali dell'utensile. Tuttavia, se utilizzato per scopi diversi da quelli previsti, con punte poco stabili o senza adeguata manutenzione, il livello di vibrazione può variare. Ciò può aumentare sensibilmente il livello di esposizione durante il lavoro.

Per una precisa definizione del livello di esposizione dovrebbe essere preso in considerazione anche l'arco di tempo in cui l'utensile è spento o funzionante ma non in uso. Ciò può ridurre sostanzialmente il livello di esposizione durante il lavoro.

Utilizzare l'utensile e gli accessori con cura, e maneggiarlo mantenendo le mani calde così da ridurre gli effetti dannosi dell'elevato livello di vibrazioni.

Polvere derivante da materiali come vernici contenenti particelle di piombo, alcuni tipi di legno, minerali e metallo potrebbe essere nociva. Il contatto o l'inalazione di tali polveri potrebbe causare reazioni allergiche e/o problemi al sistema respiratorio dell'utente o di terzi.

Talune tipologie di polveri, come ad esempio quella derivante da legno di quercia o faggio, soprattutto se trattati con additivi e conservanti, sono classificate come cancerogene. Si consiglia di fare trattare materiali contenenti asbesto solo a persone esperte.

- Se possibile collegare sempre la macchina ad un dispositivo di aspirazione.
- Tenere l'area di lavoro ben pulita e ventilata.
- Si consiglia l'uso di una mascherina o filtro di classe P2.

Osservare le direttive nazionali relative al materiale da lavorare.



# Istruzioni generali di sicurezza nel lavoro con elettrostrumenti



**AVVERTENZA!** Leggere tutte le istruzioni d'uso e le avvertenze di sicurezza. L'inosservanza delle istruzioni seguenti può causare folgorazioni, incendi e/o gravi danni a persone.

Conservare con cura queste istruzioni.

Il termine "utensile" in tutte le avvertenze successive si riferisce sia agli utensili collegati alla rete elettrica (con cavo di alimentazione) che agli utensili a batteria (senza cavo).

## 1) Area di lavoro

- Mantenere l'area di lavoro pulita e ben illuminata. Le zone buie ed ingombre di oggetti favoriscono incidenti.
- Non utilizzare l'utensile in presenza di liquidi infiammabili, gas o polvere. Le scintille generate potrebbero infiammare polvere e/o vapore.
- Tenere a distanza bambini e terzi durante il funzionamento. Per una distrazione potreste perdere il controllo dell'utensile.

## 2) Sicurezza elettrica

- La spina dell'utensile deve essere adatta alla presa utilizzata. Non modificare la spina in alcun modo. Non utilizzare adattatori con gli utensili collegati a terra. L'impiego di una spina integra ed una presa adatta riduce i rischi di folgorazione.
- Evitare di toccare con il corpo le superfici collegate a terra quali tubi, radiatori, forni e frigoriferi. Il rischio di folgorazione aumenta se il corpo è collegato a terra.
- Non esporre l'utensile alla pioggia e all'umidità. La penetrazione d'acqua nell'utensile aumenta il rischio di folgorazione.
- Non utilizzare il cavo per scopi diversi da quello previsto. Non utilizzare il cavo per trasportare o tirare l'utensile, oppure per staccare la spina dalla presa. Tenere il cavo lontano da fonti di calore, olio, parti appuntite o in movimento. Cavi danneggiati o attorcigliati aumentano il rischio di folgorazione.
- Se l'utensile viene utilizzato all'aperto, usare una prolunga adatta all'uso ester-

no. L'impiego di una prolunga da esterno riduce il rischio di folgorazione.

- Se il lavoro in un ambiente umido è strettamente necessario, utilizzare una presa protetta da dispositivo a corrente residua. Ciò riduce i rischi di scosse.

## 3) Sicurezza personale

- L'uso di elettrostrumenti richiede attenzione e buon senso. Non utilizzare gli utensili se si è stanchi o sotto l'effetto di droghe, alcol o medicinali. Una breve distrazione può provocare gravi danni alle persone.
  - Munirsi di indumenti e dispositivi di protezione. Indossare sempre occhiali da lavoro. L'uso di dispositivi di protezione tra cui mascherina antipolvere, scarpe antiscivolo, casco e protezioni per l'udito riduce il rischio di danni a persone.
  - Evitare l'accensione accidentale. Accertarsi che l'interruttore sia in posizione "OFF" prima di inserire la spina. Se si trasportano gli utensili con il dito sull'interruttore o si inserisce la spina nella presa con l'interruttore in posizione "ON" aumenta il rischio di incidenti.
  - Togliere tutte le chiavi di regolazione prima di accendere l'utensile. Una chiave lasciata inserita in una parte rotante di un utensile può provocare danni a persone.
  - Non utilizzare l'utensile in condizioni estreme. Mantenere sempre l'equilibrio ed i piedi ben appoggiati a terra. Questo consente un maggior controllo dell'utensile in caso di imprevisti.
  - Indossare un abbigliamento adeguato. Non indossare abiti svolazzanti o gioielli. Tenere capelli, vestiti, e guanti lontani dalle parti in movimento. Abiti svolazzanti, gioielli o capelli potrebbero impigliarsi nelle parti in movimento.
  - In presenza di apparecchiature per il collegamento a dispositivi di aspirazione e raccolta delle polveri, accertarsi che essi siano collegati ed utilizzarli correttamente. L'uso di queste apparecchiature può ridurre i rischi causati dalla polvere.
- ## 4) Uso e manutenzione dell'utensile
- Utilizzare l'utensile più adatto per il lavoro da svolgere. L'impiego dell'utensile giusto migliora la qualità del lavoro e la sicurezza.
  - Non utilizzare l'utensile se non è possibile accenderlo e spegnerlo con l'apposito interruttore. Gli utensili che non possono essere controllati con l'interruttore

sono pericolosi e devono essere riparati.

- c) **Staccare la spina dall'alimentazione di corrente prima di eseguire regolazioni, cambiare accessori o riporre l'utensile.** *Osservando queste precauzioni si riduce il rischio di accensione accidentale dell'utensile.*
- d) **Riporre gli utensili non utilizzati fuori dalla portata dei bambini e non consentirne l'utilizzo a persone che non conoscono l'utensile o queste istruzioni.** *Nelle mani di persone inesperte gli utensili possono diventare pericolosi.*
- e) **Sottoporre l'utensile a manutenzione. Verificare il corretto allineamento di tutte le parti mobili, controllare che non siano grippate e che non vi siano rotture o altri guasti che potrebbero influire sul funzionamento dell'utensile. Far riparare gli utensili danneggiati prima di riutilizzarli. Molti incidenti sono causati da utensili in pessime condizioni.**
- f) **Tenere le punte e gli strumenti da taglio puliti ed affilati.** *Se sottoposti ad una regolare manutenzione e pulizia consentono di lavorare in modo più preciso e sono maggiormente controllabili.*
- g) **Utilizzare l'utensile, gli accessori, gli attrezzi etc. secondo quanto indicato in queste istruzioni nonché tenendo in considerazione le condizioni di lavoro e il lavoro da eseguire.** *L'impiego di utensili per scopi diversi da quelli per cui sono stati progettati può dare origine a situazioni pericolose.*
- 5) Manutenzione**
- a) **Far riparare l'utensile da personale qualificato che utilizzi solo parti di ricambio originali.** *In caso contrario la sicurezza dell'utensile potrebbe risultare compromessa.*

## Istruzioni supplementari di sicurezza nel lavoro con la sega a sciabola



**AVVERTENZA:** Prima di collegare l'elettrotensile alla rete di alimentazione, accertarsi che la tensione di alimentazione corrisponda a quella indicata sulla targhetta dati tecnici dell'elettrotensile.

- Una fonte di alimentazione dalla tensione superiore a quella indicata per l'elettrotensile, può causare sia una grave lesione di scossa elettrica all'operatore, sia un guasto all'elettrotensile.
- Se si ha qualsiasi esitazione, non innestare la spina dell'elettrotensile nella presa.
- L'uso di una fonte di alimentazione con tensione inferiore a quella indicata sulla targhetta dati tecnici dell'elettrotensile, danneggerà il motore elettrico.



**Usare mezzi per protezione dell'udito.** *Il rumore intenso durante il lavoro può provocare lesioni all'udito.*



**Usare durante il lavoro mezzi per protezione della vista, per proteggersi da corpuscoli volanti.** *Indossare occhiali protettivi.*



**Prendere precauzioni contro l'inalazione di polvere.** *Certi materiali possono contenere ingredienti tossici. Indossare maschera antipolvere. Usare un dispositivo di depolverizzazione, se il suo collegamento all'elettrotensile risulta possibile.*



**Usare guanti protettivi.**

- **Tenere l'elettrotensile soltanto per le superfici isolate da prendere, nell'esecuzione di un'operazione in cui l'accessorio di taglio potrebbe toccare un impianto elettrico nascosto, o il proprio cordone.** *Il contatto dell'accessorio di taglio con un conduttore sotto tensione metterà sotto tensione le parti metalliche aperte dell'elettrotensile, e l'operatore subirà una scossa elettrica.*



**AVVERTENZA:** Disinserire sempre l'elettrotensile e disinnestare la spina dalla presa prima di effettuare qualsiasi regolazione, sistemazione o manutenzione.

- Dopo un lavoro continuativo le parti metalliche esterne e gli accessori possono riscaldarsi. Non toccare l'utensile o il pezzo da lavorare subito dopo il lavoro – essi potrebbero essere roventi ed ustionare la pelle.
- Proteggere le mani da parti rotanti.
- Se possibile usare sempre delle staffe o una morsa per fissare il pezzo da lavorare.
- Spegnerne sempre la sega a sciabola ed aspettare finché la lama abbia smesso di girare, prima di adagiare la macchina in disparte.
- Non sovraccaricare la macchina: lavorare con una pressione moderata. Il sovraccarico è il risultato dell'applicazione di una pressione eccessiva, a cui il motore rallenta la propria rotazione e ciò conduce a un funzionamento inefficace e all'eventuale guasto del motore elettrico della macchina.
- Non lasciare mai stracci, cordoni, stoppa ecc. nell'area del lavoro.
- Prima di usare l'elettrotensile su un pezzo da lavorare concreto, metterlo in moto e lasciarlo funzionare per breve tempo, per accertarsi che esso funziona normalmente. L'elettrotensile deve stare durante il lavoro ad almeno 200 mm dal viso e dal corpo.
- Mantenere sempre stabile la posizione del corpo. Nel lavorare con l'elettrotensile in quota accertarsi che non ci sia nessuno di sotto.
- Tenere saldamente l'elettrotensile.
- Usare l'elettrotensile soltanto secondo la sua destinazione d'uso. Qualsiasi altro impiego differente da quello descritto in questo manuale di istruzione, sarà ritenuto impiego erroneo. La responsabilità per qualsiasi guasto o ferimento, causati da uso erroneo, cadrà sull'utente, e non sul fabbricante.
- Per sfruttare correttamente questo elettrotensile, si devono rispettare le regole di sicurezza, le istruzioni generali, e le istruzioni di funzionamento qui riportate. Tutti gli utenti devono conoscere queste istruzioni di servizio, ed essere informati dei potenziali rischi nel lavoro con l'elettrotensile. Bambini e persone fisicamente deboli non devono usare l'elettrotensile. I bambini devono stare sotto continua sorveglianza se si trovano vicino ad un luogo dove si lavora con l'elettrotensile. È

obbligatorio prendere anche precauzioni di sicurezza. Lo stesso concerne pure l'osservanza delle regole principali relative alla salute e alla sicurezza professionale.

- Il fabbricante non sarà tenuto responsabile per modifiche apportate dall'utente all'elettrotensile, o per guasti causati da tali modifiche.
- Non usare l'elettrotensile all'aperto quando piove, in un ambiente umido (dopo una pioggia), o in vicinanza di liquidi o gas facilmente infiammabili. Il posto di lavoro deve essere ben illuminato.

## Prendere visione dell'elettrotensile

Prima di cominciare a lavorare con l'elettrotensile, prendere conoscenza di tutte le particolarità operative e condizioni di sicurezza.

Impiegare l'elettrotensile e i suoi accessori unicamente secondo la destinazione d'uso. Ogni altro impiego è espressamente vietato.

1. Sostegno
2. Involucro di gomma
3. Aperture di ventilazione
4. Impugnatura posteriore
5. Pulsante di bloccaggio
6. Interruttore ON/OFF
7. Riparo per il cordone
8. Chiave esagonale
9. Montante
10. Vite
11. Piastrina
12. Pistone
13. Lama
14. Spina allineante
15. Foro di fissaggio
16. Scanalatura sagomata
17. Spina di limitazione
18. Vite stringente
19. Asse
20. Staffa
21. Regolatore elettronico della velocità (TSB 1300CE)

## Istruzioni per l'uso

Questo elettrotensile viene alimentato soltanto di corrente alternata monofase. Avendo l'isolamento doppio conformemente all'EN 60745-1 e all'IEC 60745, esso si può innestare in prese senza piattine di massa. I disturbi radio corri-

spondono alla Direttiva di compatibilità elettromagnetica.

Questo elettroutensile è disegnato al taglio di tubi e profilati di metallo o plastica, di legno o materiali da costruzione leggeri (blocchi di gabsbeton), mediante lame convenienti.

## **PRIMA DI COMINCIARE IL LAVORO**

- Verificare che la tensione della rete elettrica corrisponda a quella riportata sulla targhetta dati tecnici dell'elettroutensile.
- Verificare in che posizione si trova l'interruttore ON/OFF. Innestare in e disinnestare l'elettroutensile dalla presa della rete soltanto ad interruttore disinserito. Se la spina viene innestata nella presa mentre l'interruttore è nella posizione inserita, l'elettroutensile si metterà subito in moto, circostanza che potrebbe provocare un infortunio.
- Accertarsi dello stato di efficienza del cordone d'alimentazione e della spina. Se il cordone è danneggiato, la sostituzione deve essere eseguita dal fabbricante o da un suo specialista di centro assistenza, per evitare i pericoli della sostituzione.



**AVVERTENZA:** Spegnerne sempre l'elettroutensile e disinnestare la spina dalla presa prima di effettuare qualsiasi impostazione, aggiustaggio o manutenzione.

## **SCELTA DELLA LAMA**

La lama va scelta a seconda del tipo di materiale lavorato: per il taglio di metallo, per legno, universale, ecc.

Ogni tipo di lama di quelle sopra enumerate viene offerta con lunghezze differenti della parte tagliente.

Nella selezione di una lama adatta, si deve tener presente il materiale da lavorare (metallo, legno, ecc.) e la debita lunghezza. Scegliere la lunghezza della lama in modo che essa si sporga obbligatoriamente fuori dal materiale lavorato di almeno 35 mm. Se questa regola viene rispettata, la probabilità di ferirsi durante il lavoro sarà ridotta al minimo (Fig. 1).

Per ottenere la resa massima e un taglio preciso, per mantenere l'affilatezza della lama e aumentare la sua durata, usare sempre una lama con lunghezza e destinazione d'uso adatte all'operazione concreta.



**AVVERTENZA:** Mentre si sta tagliando, la lama si riscalda ad una temperatura alta. Non toccare la lama immediatamente dopo aver finito il lavoro, siccome è possibile subire un'ustione. È consigliabile adagiare la sega per qualche tempo, finché la lama si raffreddi, nonché usare guanti alla sostituzione della lama.

## **FISSAGGIO E SOSTITUZIONE DELLA LAMA**

1. Accertarsi che la spina del cavo di alimentazione sia staccata dalla presa elettrica.
2. Tirare la chiave esagonale (8) dal suo montante (9).
3. Posare la macchina su una superficie soda e piana, come indicato nella Fig. 2. Quando viene alloggiata o sostituita la lama (13), non è ammesso mettere la macchina sul riparo del cordone (7) – tale atto può provocare un guasto al cordone di alimentazione e rischio di scossa elettrica.
4. Svitare le viti (10), finché la sua testa tocchi la parete del coperchio.
5. Estrarre attentamente la vecchia lama (13).
6. Mettere la nuova lama (13) di modo che la spina allineante (14) entri nel foro per centratura nel codolo della lama.
7. Avvitare dolcemente la vite stringente (10), finché la piastrina (11) raggiunga la lama (13).
8. Accertarsi che la lama (13) sia entrata bene nella propria scanalatura nella piastrina (11).
9. Stringere al massimo la vite (10).
10. Riporre la chiave esagonale (8) nel suo montante (9).

L'esecuzione attenta e precisa delle azioni descritte qui sopra, garantisce un fissaggio stabile e affidabile della lama alla macchina.

Il fissaggio della lama viene effettuato dalle forze che sono in atto tra essa, il pistone e la piastrina, nonché dalla scanalatura praticata precisamente nella piastrina, che copia il codolo della lama. La spina allineante serve solo per l'orientamento iniziale della lama quando questa viene installata, e non è destinata ad assumere carichi di forza nel processo del taglio.

Se la lama viene installata erroneamente, la spina allineante subirà carichi di forza, ai quali essa potrebbe deformarsi o troncarsi, dopo di cui la macchina va consegnata ad un centro assisten-

za per sostituirla la spina allineante.

**Non è ammesso il funzionamento della macchina con la spina allineante deformata o mancante!**

Se la vite stringente non può stringere con forza sufficiente il meccanismo per fissaggio della lama a causa di logoramento della sede esagonale nella vite, logoramento della sua filettatura, o logoramento della chiave esagonale, ciò porterà alla deformazione della spina allineante, o al suo troncamento. Perciò la vite stringente logorata, o la chiave esagonale logorata, devono essere tempestivamente sostituite con altre nuove.

## AVVIAMENTO - ARRESTO



**AVVERTENZA** Prima di allacciare l'elettrotensile alla rete di alimentazione, accertarsi che la tensione di alimentazione corrisponda a quella indicata sulla targhetta dati tecnici dell'elettrotensile.

- Avviamento: prendere la sega nelle mani e tenerla in maniera salda e stabile. Accertarsi che la lama non sia in contatto con altri oggetti. Spingere in avanti il pulsante di bloccaggio (5) e quindi premere l'interruttore ON/OFF (6). La macchina è munita di elettronica per un avviamento dolce – all'inizio la macchina parte con un numero di giri inferiore, e dopo 3-4 secondi raggiunge il suo numero di giri di esercizio.
- Arresto: Per arrestare il funzionamento della macchina, rilasciare l'interruttore ON/OFF (6).

## REGOLAZIONE DELLA FREQUENZA DELLE CORSE

Posizione del regolatore	Numero di corse a vuoto	Metallo	Legno	Plastica	Piastrelle gres, gasbeton
G	2200	+	+	-	-
F	2050	+	+	-	-
E	1750	+	-	-	-
D	1500	+	-	-	+
C	1200	+	-	+	+
B	950	+	-	+	+
A	700	+	-	+	+

Il valore ottimale della velocità si distingue per i vari materiali a seconda di diversi fattori (il materiale lavorato, il tipo della lama da taglio adoperata, l'accessibilità all'area del taglio, ecc.).

Alla velocità ottimale per una data applicazione si giunge di solito attraverso l'esperienza accumulata nel processo del lavoro.

Usare le informazioni della tabella alla selezione iniziale della velocità. Girare la rotella del regolatore elettronico della velocità in modo che la posizione (la lettera) scelta da Voi si metta di fronte al segno (▼).

## TAGLIO

Tenere sempre l'elettrotensile come indicato nella Fig. 3, per evitare la possibilità di lesione da scossa elettrica. Se durante il lavoro la sega entrerà in contatto con un filo sotto tensione, allora il riduttore della macchina, il sostegno anteriore e la lama diventeranno conduttori della corrente elettrica. Tenere la macchina per l'impugnatura posteriore (4) e l'involucro in gomma (2), per ridurre al minimo la probabilità di lesione da scossa elettrica.

### Tagliare con la staffa per taglio perpendicolare

Fissare la staffa (20) per taglio perpendicolare alla macchina, in modo che l'asse (19) della staffa entri nel foro di fissaggio (15) della macchina, e la spina di limitazione (17) entri nella scanalatura sagomata (16).

Provvedere a mantenere il prisma della staffa (20) per taglio perpendicolare pulito da trucioli e altra sporcizia, siccome ciò potrebbe causare un posizionamento irregolare del pezzo da lavorare, e non si otterrà la perpendicolarità del taglio.

Porre la macchina insieme alla staffa (20) per taglio perpendicolare sul tubo, in modo che la vite stringente stia ad angolo retto nei confronti del tubo.

Stringere bene con la vite stringente, ma senza deformare il tubo.

In dipendenza della mano, con la quale Vi è più

comodo lavorare, prendere con una mano l'impugnatura della vite stringente (18), e con l'altra mano l'impugnatura (4) della macchina, e mettere la macchina in moto.

Tenendo l'impugnatura della macchina (4) e l'interruttore ON/OFF nella posizione inserita, tirare la parte posteriore della macchina di modo che cominci il taglio. Trarre la parte posteriore della macchina fino al completo taglio del pezzo da lavorare.

Per ottenere migliori risultati, in particolare nel taglio di tubi con diametri superiori a 2 pollici, si consiglia di mettere la macchina in moto quando i denti della lama stanno sopra il pezzo da lavorare.

Per ottenere una resa e velocità di taglio ottimale, e per risparmiare la lama, regolare la pressione sul pezzo da lavorare mediante la trazione più lenta o più veloce della parte posteriore della macchina.

La pressione troppo forte non aumenta la velocità del taglio.

#### **Taglio libero**

Si consiglia di attaccare fermamente sempre quando possibile il materiale lavorato in una morsa o in un altro dispositivo di stringimento.

Per ottenere dei tagli dritti e puri in metallo, e al taglio su una curva (quando si tagliano legno, plastica, gasbeton, ecc.), è necessario che durante l'intero periodo del taglio del materiale il sostegno (1) sia premuto fortemente sul materiale lavorato.

Usare soltanto lame acute in uno stato irreprensibile, destinate al rispettivo materiale, e aventi la lunghezza necessaria.

Cercare di assicurare nel corso del taglio una pressione uniforme. Questo è un requisito per il taglio veloce, facile e preciso. La pressione troppo forte non aumenta la velocità del taglio, e causa invece un sovraccarico della macchina e una riduzione della durata utile della lama.

Tenere la macchina saldamente durante il taglio, e con il sostegno (1) fermamente premuto al materiale lavorato.

Durante il lavoro il cordone per alimentazione della macchina deve essere sempre dietro di essa, e non capitare nella zona del taglio.

#### **Praticare fori (Fig. 4)**

Quando si tagliano legno soffice o materiali da costruzione leggeri, è possibile prima incuneare la lama nel materiale, e quindi formare un foro nel materiale lavorato. Per tale scopo mettere nello stato spento della sega la sua parte inferiore sul sostegno (1), e la punta della lama (13) sull'inizio del taglio. Mettere in moto la sega e cominciare lentamente e con cura a sollevare

la parte posteriore della sega, controllando che il sostegno (1) rimanga in contatto continuo con il materiale lavorato. Girare la sega, finché la lama (13) si incunei completamente nel materiale lavorato, e poi proseguire il taglio nella direzione desiderata.

Al lavoro con materiali più duri non si consiglia l'uso della tecnica dell'incastro nel materiale, siccome diventa possibile ferirsi.

Per iniziare a tagliare un foro in un materiale "duro", praticare in anticipo un foro, conformato alle dimensioni della lama usata, dal quale incominciare il taglio.

È importante che il supporto sia premuto fortemente sul materiale durante il taglio. Così si ottengono un processo uniforme e un taglio con vibrazioni ridotte.

#### **L'uso di lubrificanti**

Quando si tagliano pezzi d'acciaio (tubi, profilati, ecc.), usare liquidi lubrificanti refrigeranti di viscosità bassa, i quali favoriscono l'allontanamento dei trucioli e diminuiscono la temperatura nella zona del taglio. L'uso di liquidi lubrificanti refrigeranti prolunga la durata della lama.

Non usare liquidi lubrificanti refrigeranti di viscosità alta (l'olio denso e il grasso), in quanto essi ostacolano il convogliamento dei trucioli e del calore dall'area di taglio, riducendo così la durata della lama.

#### **Intensità di uso**

L'elettrotensile viene azionato da un motore elettrico, il quale fornisce una potenza sufficiente per il taglio di un tubo d'acciaio di pollici 6" (Ø170). L'energia emanata nel corso del lavoro durante detta operazione, ed anche al taglio di pezzi metallici compatti e di legno con dimensione di oltre Ø120 mm, comporta un notevole aumento nella temperatura del riduttore della macchina.

Nonostante l'uso di un grasso speciale per temperatura alta nel riduttore della macchina, l'eccesso di temperatura oltre il valore critico provoca l'evaporazione dell'olio dal grasso, e la presenza di fumo visibile, uscente dal riduttore della macchina. Questo è un segno evidente del sovraccarico termico dell'elettrotensile. Quando emerge questo indizio, è necessario rivolgersi al più vicino centro assistenza SPARKY, nel quale si farà la diagnosi dello stato del vostro elettrotensile.

Per evitare il sovraccarico termico dell'elettrotensile, si consiglia di disinserire l'elettrotensile dopo ogni operazione assai lunga, finché non sarà raggiunta la temperatura dell'ambiente. Un buon criterio per determinare l'inizio del sovraccarico termico dell'utensile è se si avverte l'alta

temperatura del riduttore anche usando guanti.

## **ACCESSORI CHE POSSONO ESSERE USATI CON QUESTO ELETTROUTENSILE**

---

Staffa (da 2" a 6");  
Chiave esagonale (S4);  
Lame.

## **Manutenzione**

---



**AVVERTENZA:** Spegnerne sempre l'elettROUTENSILE e staccare la spina dalla presa prima di effettuare qualsiasi controllo o manutenzione.

### **SOSTITUZIONE DELLE SPAZZOLE**

---

L'elettROUTENSILE è munito di spazzole che si disinseriscono da sole. Quando le spazzole si logorano, le due spazzole vanno sostituite simultaneamente con spazzole originali in un centro assistenza SPARKY per manutenzione entro o fuori garanzia.

### **CONTROLLO GENERALE**

---

Controllare regolarmente tutti gli elementi di fissaggio e accertarsi che essi siano ben stretti. Caso mai qualche vite si fosse allentata, stringerla immediatamente, per evitare situazioni di rischio.

Se il cavo di alimentazione è danneggiato, la sostituzione va eseguita dal fabbricante o da un suo specialista di centro assistenza, per ovviare ai pericoli relativi alla sostituzione.

### **PULIZIA**

---

Per un lavoro sicuro, mantenere sempre pulite la macchina e le aperture di ventilazione (3). Controllare regolarmente che nelle aperture di ventilazione del motore elettrico o intorno ai commutatori non siano penetrati polvere o corpi estranei. Adoperare una spazzola morbida e/o un getto di aria compressa, per rimuovere la polvere accumulata. Per proteggere gli occhi, indossare durante la pulizia occhiali protettivi.

Se la carcassa della macchina ha bisogno di pulizia, pulirla con un panno morbido e umido. Si può usare un detergente debole.



**AVVERTENZA:** Non è ammesso l'uso di alcole, benzina o altri solventi. Non usare mai preparati corrosivi per la pulizia dei pezzi in plastica.



**AVVERTENZA:** Non è ammesso che acqua entri in contatto con la macchina.

**IMPORTANTE!** Per assicurare un lavoro non pericoloso con l'elettROUTENSILE, e la sua affidabilità, far eseguire tutte le azioni relative alla riparazione, alla manutenzione e alla regolazione (ivi inclusi il controllo e la sostituzione delle spazzole), agli autorizzati centri assistenza SPARKY, adoperando soltanto pezzi di ricambio originali.



## **Garanzia**

---

Il periodo di garanzia per gli utensili SPARKY ha validità a partire dalla data di acquisto ed è conforme alle normative europee.

Non sono coperti da garanzia danni derivanti da usura, sovraccarico o uso improprio.

L'azienda produttrice assicura la sostituzione di tutte le parti non funzionanti in cui si riconoscano difetti di materiale e/o di lavorazione.

Le prestazioni di garanzia saranno erogate solo se la macchina richiesta sarà inviata in condizioni integre al rivenditore o ad un centro di assistenza, accompagnata dallo scontrino fiscale.

## **Ulteriori informazioni**

---

Leggere attentamente tutte le istruzioni prima di iniziare a lavorare con l'utensile.

L'azienda produttrice si riserva il diritto di apportare modifiche tecniche senza preavviso.

Le specifiche tecniche possono variare da paese a paese.

# Contenido

Introducción .....	43
Datos técnicos.....	45
Instrucciones generales de seguridad al operar con herramientas eléctricas .....	46
Instrucciones adicionales de seguridad al operar con sierras de sable.....	48
Componentes principales de la herramienta eléctrica.....	A/49
Instrucciones para la operación .....	B/49
Mantenimiento .....	52
Garantía .....	53

## DESENVASE

En conformidad con las tecnologías de grandes series generalmente aceptadas, es poco probable que su herramienta eléctrica sea defectuosa o que le falte alguna pieza. Si observa que algo no está en orden, no opere con la herramienta eléctrica hasta que su pieza dañada no haya sido sustituida o su defectuosidad no haya sido eliminada. El incumplimiento de esta recomendación puede conducir a un accidente de trabajo grave.

## ENSAMBLAJE

La sierra de sable se suministra empaquetada y completamente ensamblada, salvo la cuchilla. La cuchilla se selecciona según su aplicación (corte de metal, madera, placas de partículas de madera, plástico, etc.), montándose posteriormente a la máquina.

## Introducción

La herramienta eléctrica SPARKY que acaba de adquirir superará sus expectativas. Ha sido fabricada conforme a las altas normas de calidad de SPARKY que responden a las exigencias más rigurosas del usuario. Su mantenimiento es fácil y es segura a la hora de explotarse. Si se usa correctamente, esta herramienta eléctrica le servirá con fiabilidad durante largos años.

### ¡ADVERTENCIA!



Lea con atención e íntegramente estas instrucciones de explotación antes de usar la herramienta eléctrica SPARKY que acaba de adquirir. Preste una atención especial a los textos encabezados por la palabra "Advertencia". Su herramienta eléctrica SPARKY posee muchas cualidades que facilitarán su trabajo. Al diseñarse esta herramienta eléctrica, se ha prestado una mayor atención a la seguridad, a las cualidades de explotación y a la fiabilidad que facilitan su mantenimiento y explotación.



### ¡No tire la herramienta eléctrica junto con los residuos domésticos!

Los residuos de productos eléctricos no deben recogerse junto con los residuos domésticos. Por favor, reciclelos en los lugares destinados a ello. Póngase en contacto con las autoridades locales o con un representante suyo para informarse respecto al reciclaje.

## PROTECCIÓN DEL MEDIO AMBIENTE



Con miras a la protección del medio ambiente, esta herramienta eléctrica, sus accesorios y su envase deben someterse a un tratamiento adecuado para reutilizar las materias primas que contienen.

Para facilitar el reciclaje de las piezas fabricadas de materiales artificiales, éstas han sido marcadas de la forma correspondiente.

## DESCRIPCIÓN DE LOS SÍMBOLOS

Sobre la placa de características técnicas de la herramienta eléctrica se han marcado símbolos especiales. Éstos facilitan información importante sobre el producto o instrucciones para su manejo.



Doble aislamiento de protección adicional



Compatible con las Directivas europeas de aplicación.



Cumple con las regulaciones de la Unión Aduanera.



Compatible con los requisitos de los documentos normativos ucranianos.




Familiarícese con el manual de usuario.

YYYY-Www    Período de fabricación, donde los símbolos variables son:  
YYYY: año de fabricación,  
ww: semana civil consecutiva.

TSB            Sierra de sable.

# Datos técnicos

Modelo	TSB 1300C	TSB 1300CE
▪ Potencia consumida	1300 W	1300 W
▪ Número de marchas en marcha vacío	2200 min <sup>-1</sup>	700-2200 min <sup>-1</sup>
▪ Marcha de la cuchilla	30 mm	30 mm
▪ Dimensión para acoplar la cola de la cuchilla	12,7; 20 mm	12,7; 20 mm
▪ Dimensión máxima al cortar libremente**	Ø6" (170 mm)	Ø6" (170 mm)
▪ Dimensión máxima al cortar con grapa**	Ø6" (170 mm)	Ø6" (170 mm)
▪ Longitud de gálbo	585 mm	605 mm
▪ Peso (EPTA Procedimiento 01/2014)	3,5 kg	3,6 kg
▪ Clase de protección (EN 60745-1) 	II	II

## INFORMACIÓN SOBRE EL RUIDO Y LAS VIBRACIONES

Los valores se han medido según la norma EN 60745.

### ▪ Emisión de ruido

A-nivel medido de presión sonora L <sub>pA</sub>	87 dB(A)	87 dB(A)
Indeterminación K <sub>pA</sub>	3 dB	3 dB
A-nivel medido de potencia sonora L <sub>wA</sub>	98 dB(A)	98 dB(A)
Indeterminación K <sub>wA</sub>	3 dB	3 dB

### ¡Utilice medios de protección contra el ruido!

#### ▪ Emisión de vibraciones \*

Valor total de las vibraciones (suma vectorial de tres direcciones) determinado según la norma EN 60745:

#### Corte de madera

Valor de las vibraciones emitidas a <sub>h,CW</sub>	25 m/s <sup>2</sup>	25 m/s <sup>2</sup>
Indeterminación K <sub>h,CW</sub>	1,5 m/s <sup>2</sup>	1,5 m/s <sup>2</sup>

#### Corte de tubos de metal con grapa de corte perpendicular

Valor de las vibraciones emitidas a <sub>h,CM</sub>	12,3 m/s <sup>2</sup>	12,3 m/s <sup>2</sup>
Indeterminación K <sub>h,CM</sub>	1,7 m/s <sup>2</sup>	1,7 m/s <sup>2</sup>

\* Las vibraciones se han determinado según el apartado 6.2.7 de la norma EN 60745

\*\* Lea el texto en el apartado "Intensidad de explotación".

El nivel de las vibraciones determinado en esta instrucción ha sido medido en conformidad con la metodología de ensayo indicada en EN 60745 y podrá utilizarse para comparar instrumentos eléctricos. El nivel de las vibraciones podrá utilizarse para una evaluación previa del grado de influencia.

El nivel declarado de las vibraciones se refiere a la destinación principal del instrumento eléctrico. En los casos cuando el instrumento eléctrico se utilice con otra destinación, con otros accesorios o cuando el instrumento eléctrico no haya sido mantenido debidamente, el nivel de las vibraciones podrá ser diferente al indicado. En estos casos, el nivel de influencia podrá aumentar considerablemente dentro de los límites del período total de funcionamiento.

En la evaluación del nivel de influencia de las vibraciones se deberá tener en consideración el tiempo durante el cual el instrumento eléctrico queda desconectado o conectado, pero no se utiliza. Esto podrá reducir notablemente el nivel de influencia dentro de los límites del período total de funcionamiento.

¡Manténganse el instrumento eléctrico y los accesorios en buen estado! Procure tener las manos calientes durante el trabajo. Esto disminuirá la influencia nociva durante un trabajo con vibraciones elevadas.

El polvo desprendido en el procesamiento de los materiales, como pinturas que contienen plomo, algunos tipos de madera, minerales y metales, podrá ser peligroso para la salud. El contacto o la aspiración del polvo podrá provocar reacciones alérgicas y/o enfermedades de las vías respiratorias del operario o de las personas a su alrededor.

Algunos tipos de polvo, por ejemplo, de roble o de haya, se consideran cancerígenos, ante todo si se combinan con adiciones para procesar la madera (cromato, conservantes). El material que contenga asbesto se ha de procesar únicamente por especialistas.

▪ Cuando sea posible, utilice la evacuación de polvo.

- Asegure una buena ventilación del lugar de trabajo.
  - Se recomienda usar una mascarilla antipolvo de protección con filtro clase P2.
- Respétense las disposiciones vigentes en su país acerca del procesamiento de los respectivos materiales.

## Instrucciones generales de seguridad al operar con herramientas eléctricas



**ADVERTENCIA!** Lea íntegramente estas advertencias e instrucciones de seguridad. Si no se respetan las advertencias e instrucciones de seguridad, podrá llegar a causarse una avería por la corriente eléctrica, un incendio y/o una lesión grave.

**Guárdense todas las advertencias e instrucciones de seguridad para su uso futuro.**

El término "herramienta eléctrica" empleado en todas las advertencias descritas a continuación se refiere a su instrumento eléctrico alimentado de la red (con un cordón eléctrico) y/o de una máquina eléctrica alimentada por una batería de acumuladores (sin cordón eléctrico).

### 1) Seguridad del puesto de trabajo

- Mantenga limpio y bien iluminado su puesto de trabajo.** El desorden y la insuficiente iluminación son premisas para un accidente de trabajo.
- No trabaje con la herramienta eléctrica en un entorno de aire explosivo donde hay líquidos inflamables, gases o polvo.** Las herramientas eléctricas producen chispas que pueden incendiar el polvo o el vapor.
- Mantenga a los niños y a las personas extrañas a una distancia cuando esté trabajando con una herramienta eléctrica.** Una distracción suya le puede hacer perder el control sobre el instrumento eléctrico.

### 2) Seguridad eléctrica

- Los enchufes de las herramientas eléctricas deben corresponder a la toma de corriente. No cambie el enchufe bajo ningún concepto. No emplee ningún enchufe adaptador en las herramientas eléctricas de puesta a tierra.** El uso de


*enchufes no modificados y su correspondiente toma de corriente reduce el riesgo de una avería causada por la corriente eléctrica.*

- Evite el contacto de su cuerpo con la tierra o con superficies con puesta a tierra, como tubos, radiadores, cocinas y refrigeradores.** Si su cuerpo está con puesta a tierra, existe un mayor riesgo de producirse una avería por la corriente eléctrica.
  - No exponga la herramienta eléctrica a la lluvia o en un ambiente húmedo.** La penetración del agua en el interior del instrumento eléctrico aumenta el riesgo de producirse una avería por la corriente eléctrica.
  - Utilice el cordón eléctrico conforme a su destino. Jamás utilice el cordón eléctrico para trasladar el instrumento eléctrico, tirar o sacar el enchufe de la toma de corriente. Mantenga el cordón eléctrico alejado del calor, de lubricantes, aristas vivas o piezas móviles.** Los cordones eléctricos deteriorados o enredados aumentan el riesgo de producirse una avería por la corriente eléctrica.
  - Al trabajar con la herramienta eléctrica a la intemperie, utilice un alargador apropiado para trabajar al aire libre.** La utilización de un alargador adecuado para trabajar a la intemperie reduce el riesgo de producirse una avería por la corriente eléctrica.
  - Para interrumpir la alimentación, utilice un dispositivo de seguridad que se pone en funcionamiento por la corriente eléctrica restante de ser imprescindible el empleo de la herramienta eléctrica en un ambiente húmedo.** La aplicación de un dispositivo de seguridad reduce el riesgo de producirse una avería por la corriente eléctrica.
- ### 3) Seguridad personal
- Manténgase en alerta, trabaje con mayor atención y sea prudente mientras esté trabajando con la herramienta eléctrica.** No utilice la herramienta eléctrica si estuviese cansado bajo el efecto de drogas, alcohol o medicamentos. Un

*instante de falta de atención al trabajar con un instrumento eléctrico puede provocar un grave accidente de trabajo.*

- b) **Utilice medios de protección personal. Lleve siempre medios para la protección de los ojos.** *Los medios de protección personal como carreta antipolvo, zapatos seguros con suela antideslizante, casco o protectores auditivos utilizados en condiciones concretas reducen el riesgo de accidentes de trabajo.*
  - c) **Evite una puesta en marcha involuntaria. Antes de asir o trasladar el instrumento eléctrico, asegúrese de que el interruptor esté desconectado previa su conexión a la fuente de alimentación y/o a la batería de acumuladores.** *Puede dar lugar a un accidente de trabajo que la herramienta eléctrica sea trasladada con el dedo sobre el interruptor, o bien la conexión de dicha herramienta a una fuente de alimentación con el interruptor en posición conectada.*
  - d) **Retire toda llave de ajuste o llaves de tuercas antes de conectar la herramienta eléctrica.** *Una llave de ajuste o llave de tuercas fijada a una pieza rotatoria puede producir un accidente de trabajo.*
  - e) **¡No alargue la mano! Mantenga en todo momento la postura correcta y el equilibrio.** *Ello permitirá un mejor manejo de la herramienta eléctrica en caso de que se presente una situación inesperada.*
  - f) **Lleve una ropa de trabajo adecuada. No lleve prendas anchas o joyas. Mantenga su cabello, vestimenta y guantes alejados de las piezas móviles.** *La ropa ancha, las joyas o el pelo largo se podrán enganchar a las piezas en movimiento.*
  - g) **Siempre que sea posible, utilice equipos de aspiración o recogepolvos y asegúrese que estén conectados y que se utilicen correctamente.** *El uso de estos dispositivos puede reducir los riesgos que son producto del polvo.*
- 4) Uso y cuidado de las herramientas eléctricas**
- a) **No sobrecargue la herramienta eléctrica. Según el uso, hágase una correcta selección de la herramienta eléctrica.** *La herramienta correctamente seleccionada funciona mejor y con mayor seguridad en el régimen de trabajo para el que ha sido diseñada.*
  - b) **No utilice la herramienta eléctrica si el interruptor no conmuta en posición de “conectado” y “desconectado”.** *Toda herramienta eléctrica que no pueda ser manejada con el interruptor es peligrosa y ha de ser reparada.*
  - c) **Antes de efectuar cualquier ajuste, saque el enchufe de la red de alimentación, previo cambio de cualquier accesorio o antes de guardar la herramienta.** *Estas medidas de seguridad preventivas reducen el riesgo de poner en funcionamiento la herramienta eléctrica accidentalmente.*
  - d) **Guarde las herramientas eléctricas que no hayan sido utilizadas en lugares que estén fuera del alcance de los niños, y no permita que trabajen con ella las personas que prestan servicios y desconozcan la herramienta eléctrica y estas instrucciones.** *Las herramientas eléctricas son peligrosas en manos de usuarios inexpertos.*
  - e) **Mantenga la herramienta eléctrica. Averigüe si sus piezas móviles funcionan correctamente y se mueven con libertad, así como la integridad y el buen estado de las piezas, como también cualquier otra circunstancia que pudiera afectar de forma desfavorable el funcionamiento de la herramienta eléctrica.** *En caso de que esté deteriorada, la herramienta habrá de repararse antes de que se continúe usando. Muchos accidentes se deben al mal mantenimiento de las herramientas eléctricas.*
  - f) **Mantenga las herramientas cortantes limpias y afiladas.** *Las herramientas cortantes con bordes afilados y cortantes que tengan un mantenimiento correcto es menos probable que bloqueen y son más fáciles de manejar.*
  - g) **Utilice la herramienta eléctrica, los accesorios, las piezas, etc., de acuerdo con estas instrucciones y de la forma prevista para el tipo de herramienta eléctrica concreta, tomando en consideración las condiciones laborales y el trabajo a realizar.** *El uso de la herramienta eléctrica con fines diferentes a aquellos para los que ha sido diseñada puede causar una situación de peligro.*
- 5) Servicio**
- a) **Repare su herramienta eléctrica con un técnico cualificado en reparaciones, utilizando sólo piezas de recambio originales.** *Ello garantizará el mantenimiento y la seguridad de la herramienta eléctrica.*

# Instrucciones adicionales de seguridad al operar con sierras de sable

 **ADVERTENCIA:** Antes de conectar la herramienta eléctrica a la red de alimentación, cerciórese de que el voltaje de alimentación corresponde al indicado sobre la placa de datos técnicos de la herramienta eléctrica.

- Una fuente de alimentación, con voltaje superior al indicado para la herramienta eléctrica, puede causar tanto un daño grave de corriente eléctrica al operador como una avería a la herramienta eléctrica.
- Si tiene algunas vacilaciones, no introduzca el enchufe de la herramienta eléctrica en la caja de contacto.
- El uso de una fuente de alimentación, con voltaje inferior al indicado sobre la placa de datos técnicos de la herramienta eléctrica, dañará el motor eléctrico.



**Utilice medios de protección de la audición.** *El ruido intenso durante la operación puede ocasionar daños auditivos.*



**Durante la operación, utilice medios de protección de la vista para cuidarse de las partículas volantes.** *Lleve gafas de protección.*



**Adopte medidas preventivas contra la aspiración de polvo.** *Es posible que algunos materiales contengan componentes tóxicos. Lleve una careta de protección antipolvo. Utilice un dispositivo para la evacuación del polvo, si es posible acoplarlo a la herramienta eléctrica.*



**Utilice guantes de protección.**

- **Sujete la herramienta eléctrica solamente por las superficies aisladas de sujeción cuando esté efectuando una operación, en la cual el accesorio cortante puede entrar en contacto con una instalación eléctrica oculta o con su propio cable.** *El contacto del accesorio cortante con un conductor eléctrico bajo tensión pondrá las partes metálicas de la herramienta eléctrica, que están al descubierto, bajo tensión, y el operador sufrirá electrocución.*



**ADVERTENCIA:** Desconecte siempre la herramienta eléctrica y saque el enchufe de la toma de corriente antes de efectuar cualquier ajuste, servicio o mantenimiento.

- Después de una operación continua, las partes metálicas externas y los accesorios pueden estar calientes. No toque la herramienta de trabajo o la pieza que se está procesando inmediatamente después de la operación: éstas pueden estar sumamente calientes y provocar quemaduras en su piel.
- Proteja sus manos de las piezas rotatorias.
- De ser posible, utilice siempre grapas o mordazas para fijar la pieza que se está procesando.
- Desconecte siempre la sierra de sable y espere hasta que la cuchilla deje de moverse antes de guardar la máquina.
- No sobrecargue la máquina: opere con una presión moderada. La sobrecarga es el resultado de la aplicación de una presión excesiva, con lo cual el motor eléctrico retrasa su rotación, siendo ello una premisa de operación ineficaz y de posible daño del motor eléctrico de la máquina.
- En la zona de operación no se deben dejar nunca trapos, cables, estopas, etc.
- Antes de usar la herramienta eléctrica sobre una pieza concreta, conéctela y déjela en funcionamiento durante un breve tiempo para cerciorarse de que funciona normalmente. Durante la operación, la herramienta eléctrica debe encontrarse por lo menos a 200 mm de su rostro y de su cuerpo.
- Mantenga su cuerpo siempre en una posición estable. Cuando esté operando con la herramienta eléctrica en altura, cerciórese de que debajo de usted no haya nadie.
- Sujete fuertemente la herramienta eléctrica.
- La herramienta eléctrica debe usarse solamente según el fin con el que ha sido concebida. Cualquier otro uso que difiera del que se describe en este manual se considerará uso incorrecto. La responsabilidad por cualquier daño o lesión, derivados del uso incorrecto, será asumida por el usuario, y no por el fabricante.
- Para explotar correctamente esta herramienta eléctrica, deben cumplirse las normas de seguridad, las instrucciones generales y las indicaciones de operación que se señalan aquí. Cada usuario debe familiarizarse con este manual de usuario y estar informado



acerca de los riesgos potenciales al operar con la herramienta eléctrica. Los niños y las personas físicamente débiles no deben utilizar esta herramienta eléctrica. Los niños deben estar bajo vigilancia constante si se encuentran cerca del lugar de operación con la herramienta eléctrica. Es obligatorio adoptar asimismo medidas de seguridad preventivas. Ello se refiere también al cumplimiento de las normas básicas de salud profesional y seguridad.

- El fabricante no asume responsabilidad por las modificaciones en la herramienta eléctrica que hayan sido efectuadas por el usuario o por las averías causadas a raíz de estas modificaciones.
- La herramienta eléctrica no debe usarse al aire libre cuando esté lloviendo, en un entorno húmedo (después de llover) o cerca de líquidos y gases fácilmente inflamables. El lugar de trabajo debe estar bien iluminado.

## Componentes principales de la herramienta eléctrica

Antes de empezar a operar con la herramienta eléctrica, infórmese acerca de todas sus peculiaridades operativas y de las condiciones de seguridad.

Utilice la herramienta eléctrica y sus accesorios solamente según el fin con el que han sido concebidos. Queda terminantemente prohibida cualquier otra aplicación.

1. Soporte
2. Funda de goma
3. Orificios de ventilación
4. Asidero posterior
5. Botón de bloqueo
6. Interruptor
7. Mecanismo de seguridad del cable
8. Llave hexaédrica
9. Portaherramientas
10. Tornillo
11. Placa
12. Émbolo
13. Cuchilla
14. Clavija céntrica
15. Abertura de acoplamiento
16. Canal de perfil
17. Clavija limitadora
18. Tornillo de apriete

19. Eje
20. Grapa
21. Regulador electrónico de la velocidad (TSB 1300CE)

## Instrucciones para la operación

Esta herramienta eléctrica se alimenta solamente mediante voltaje monofásico alterno. Posee doble aislamiento, según las normas EN 60745-1 e IEC 60745, y puede conectarse a tomas de corriente, sin bornes de protección. Las radiointerferencias corresponden a la Directiva de Compatibilidad Electromagnética.

Esta herramienta eléctrica está destinada a cortar tubos y perfiles de metal y plástico, madera y materiales de construcción ligeros (pequeños bloques de hormigón alveolar) con cuchillas apropiadas.

### ANTES DE EMPEZAR LA OPERACIÓN

- Revise si el voltaje de la red eléctrica corresponde al indicado sobre la placa de datos técnicos de la herramienta eléctrica.
- Revise la posición en la que se encuentra el interruptor. La herramienta eléctrica debe conectarse y desconectarse de la red de alimentación solamente cuando el interruptor esté desconectado. Si el enchufe ha sido introducido en la toma de corriente mientras que el interruptor está conectado, la herramienta eléctrica se accionará inmediatamente, lo cual es una premisa de accidente.
- Cerciórese del buen estado del cable de alimentación y del enchufe. Si el cable de alimentación está dañado, su sustitución debe efectuarse por el fabricante o por un técnico de servicio suyo para evitar los peligros de la sustitución.



**ADVERTENCIA:** Desconecte siempre la herramienta eléctrica y saque el enchufe de la toma de corriente antes de efectuar cualquier ajuste, servicio o mantenimiento.

### SELECCIONAR CUCHILLAS

La cuchilla se selecciona según el tipo de material que se está procesando: para cortar metal, madera, de tipo universal, etc.

Cada uno de los tipos de cuchillas, enumerados anteriormente, se ofrece con longitudes diferentes de la parte cortante.

Al seleccionar la cuchilla apropiada, se debe tomar en consideración el material que se está procesando (metal, madera, etc.) y la longitud necesaria. Seleccione la longitud de la cuchilla, de modo que ésta sobresalga obligatoriamente fuera del material que se está procesando al menos con 35 mm. Si esta norma se cumple, la probabilidad de ocasionar lesiones durante la operación se reducirá al mínimo (fig.1).

Para alcanzar una productividad máxima y un corte preciso, así como para mantener el afilado de la cuchilla y aumentar su vida útil, utilice siempre una cuchilla de longitud y destinación apropiadas para cada operación concreta.



**ADVERTENCIA:** En el proceso de corte, la cuchilla se calienta hasta una temperatura muy alta. No toque la cuchilla inmediatamente después de cesar la operación, ya que puede ocasionarle quemaduras. Es recomendable dejar la sierra durante cierto tiempo hasta que la cuchilla se enfríe, así como utilizar guantes al cambiar la cuchilla.

## COLOCAR Y CAMBIAR LA CUCHILLA

1. Cerciórese de que el enchufe del cable de alimentación ha sido retirado de la toma de corriente de la red eléctrica.

2. Retire la llave hexaédrica (8) de su portaherramientas (9).

3. Deje la máquina acostada sobre una superficie plana y dura, como se indica en la Fig. 2. Al colocar y cambiar la cuchilla (13), la máquina no se debe poner sobre el mecanismo de seguridad del cable (7): ello puede dañar el cable de alimentación y conducir a riesgos de que se produzcan daños de corriente eléctrica.

4. Desenrosque el tornillo (10), hasta que su cabezal toque la pared de la tapa.

5. Retire cuidadosamente la cuchilla anterior (13).

6. Coloque la nueva cuchilla (13), de modo que la clavija céntrica (14) entre en la abertura de centrado en la cola de la cuchilla.

7. Enrosque cuidadosamente el tornillo de apriete (10) hasta que la placa (11) alcance la cuchilla (13).

8. Cerciórese de que la cuchilla (13) se haya introducido bien en su canal en la placa (11).

9. Atiese el tornillo (10) lo más fuertemente posible.

10. Coloque la llave hexaédrica (8) en su portaherramientas (9).

La ejecución cuidadosa y precisa de las actuaciones descritas anteriormente garantiza la fijación estable y fiable de la cuchilla a la máquina.

La fijación de la cuchilla se realiza por las fuerzas que actúan entre ella, el émbolo y la placa, así como el canal en la placa, elaborado con precisión, que copia la cola de la cuchilla. La clavija céntrica sirve solamente para la orientación inicial de la cuchilla durante el montaje y no está destinada a recibir cargas de fuerza en el proceso de corte.

Si la cuchilla no ha sido montada correctamente, la clavija céntrica recibirá cargas de fuerza, con lo cual puede deformarse o cortarse, y, posteriormente, la máquina debe llevarse a un centro de servicio para que la clavija céntrica se sustituya.

**¡No se debe operar con la máquina cuando la clavija céntrica esté deformada o esté fallando!**

Si el tornillo de apriete no puede atesar el mecanismo de acoplamiento de la cuchilla con fuerza suficiente debido al desgaste de la caja hexaédrica en el tornillo, al desgaste de su rosca o al desgaste de la llave hexaédrica, ello conducirá a la deformación de la clavija céntrica o a su corte. Por ende, el tornillo de apriete desgastado o la llave hexaédrica deben cambiarse oportunamente por otros nuevos.

## CONEXIÓN - DESCONEJÓN



**ADVERTENCIA:** Antes de conectar la herramienta eléctrica a la red de alimentación, cerciórese de que el voltaje de alimentación corresponde al indicado sobre la placa de datos técnicos de la herramienta eléctrica.

▪ **Conexión:** Tome la sierra en sus manos y sujétela fuerte y establemente. Cerciórese de que la cuchilla no esté en contacto con otros objetos. Empuje hacia adelante el botón de bloqueo (5), y apriete posteriormente el interruptor (6).

La máquina está provista de electrónica para la puesta en funcionamiento cadenciosa. Inicialmente, la máquina arranca a revoluciones más bajas, y al cabo de 3-4 segundos alcanza sus revoluciones de funcionamiento.

▪ **Desconexión:** Para detener el funcionamiento de la máquina, afloje el interruptor (6).

## REGULACIÓN DE LA FRECUENCIA DE LAS MARCHAS

Coloque la máquina junto con la grapa (20) de corte perpendicular sobre el tubo, de modo que

Posición del regulador	Número de marchas en marcha en vacío	Metal	Madera	Plástico	Cerámica, hormigón alveolar
G	2200	+	+	-	-
F	2050	+	+	-	-
E	1750	+	-	-	-
D	1500	+	-	-	+
C	1200	+	-	+	+
B	950	+	-	+	+
A	700	+	-	+	+

El valor óptimo de la velocidad para los distintos materiales difiere según una serie de factores (el material que se está procesando, el tipo de cuchilla utilizado para cortar, el acceso a la zona de corte, etc.).

Con mayor frecuencia, la velocidad óptima para la aplicación determinada se alcanza a base de ensayos durante el proceso de funcionamiento. Utilice la información de la tabla para seleccionar inicialmente la velocidad. Gire el rodamiento del regulador electrónico de la velocidad de modo que la posición seleccionada por Ud. (la letra) se posicione frente al marcador (▼).

### **CORTE**

Sujete siempre la herramienta eléctrica, como se indica en la Fig.3, para evitar la posibilidad de que se produzcan daños de corriente eléctrica. Si durante la operación la sierra entra en contacto con un hilo conductor bajo voltaje, el reductor de la máquina, la base anterior y la cuchilla se volverán conductores de corriente eléctrica. Sujete la máquina por el asidero posterior (4) y por la funda de caucho (2) para reducir al mínimo la posibilidad de electrocución.

#### **Corte con grapa para cortar perpendicularmente**

Acople la grapa (20) de corte perpendicular a la máquina, de modo que el eje (19) de la grapa se introduzca en la abertura de acoplamiento (15) de la máquina, y la clavija limitadora (17) entre en el canal de perfil (16).

Procure que el prisma de la grapa (20) de corte perpendicular esté limpio de virutas y de otras impurezas, ya que ello puede conducir al posicionamiento incorrecto de la pieza que se está procesando, y no se obtendrá la perpendicularidad del corte.

el tornillo de apriete quede bajo ángulo recto respecto al tubo.

Atiese bien con el tornillo de apriete, sin deformar el tubo.

Según la mano con la que le es más cómodo operar, sujete con una mano el asidero del tornillo de apriete (18), y, con la otra mano, sujete el asidero (4) de la máquina y conéctela.

Mientras que esté sujetando el asidero de la máquina (4) y el interruptor esté conectado, tire del extremo posterior de la máquina de modo que empiece el corte. Tire del extremo posterior de la máquina hasta cortar completamente la pieza que se está procesando.

Para obtener mejores resultados, sobre todo al cortar en tubos de diámetros superiores a 2", es recomendable conectar la máquina cuando los dientes de la cuchilla se acuesten sobre la pieza que se está procesando.

Para obtener la productividad y la velocidad de corte óptimas, así como para cuidar la cuchilla, regule la presión sobre la pieza que se está procesando, al retirar más lenta o rápidamente el extremo posterior de la máquina.

La presión excesiva no eleva la velocidad de corte.

#### **Corte libre**

Es recomendable que siempre que sea posible, el material que se está procesando se sujete fuertemente en mordazas o en otro mecanismo de apriete.

Para obtener cortes rectos y nítidos en metal, y al cortar en línea curva (al cortar madera, plástico, hormigón alveolar, etc.), es necesario que durante todo el tiempo del corte del material la base (1) esté bien apretada al material que se está procesando.

Utilice solamente cuchillas afiladas en estado

perfecto, destinadas al respectivo material y con la longitud necesaria.

Procure asegurar una presión uniforme durante el proceso de corte, que es una premisa para el recorte rápido, fácil y preciso. La presión sumamente fuerte no aumenta la velocidad de corte, sino conduce a la sobrecarga de la máquina, y reduce la vida de la cuchilla.

Durante el corte, sujete fuertemente la máquina, apretando bien la base (1) al material que se está procesando.

Durante la operación, el cable de alimentación de la máquina debe estar siempre detrás de ella y no entrar en la zona de corte.

#### **Recorte de aberturas (Fig. 4)**

Al cortar madera blanda y materiales ligeros de construcción, es posible que la cuchilla primero se entalle en el material, y, posteriormente, que forme un orificio en el material que se está procesando. Con este propósito, estando la sierra desconectada, coloque su extremo inferior en la base (1), y la punta de la cuchilla (13) sobre el inicio del corte. Conecte la sierra y empiece a levantar lenta y cuidadosamente el extremo posterior de la sierra, procurando que la base (1) quede en contacto permanente con el material que se está procesando. Gire la sierra, hasta que la cuchilla (13) se entalle completamente en el material que se está procesando, y, posteriormente, siga el corte en el sentido deseado.

Al operar con materiales más duros, no es recomendable usar la técnica de entalladura en el material, ya que puede lesionarse.

Para empezar el corte de un orificio en un material "duro", perforo previamente un orificio, según las dimensiones de la cuchilla utilizada, por el cual empezará el corte.

Es importante que la base esté bien atiesada al material durante el corte. Así alcanzará un proceso uniforme y un corte con vibraciones más bajas.

#### **Uso de lubricantes**

Al cortar piezas de acero (tubos, perfiles, etc.), deben utilizarse líquidos lubricantes refrigerantes de viscosidad baja, que contribuyen a la eliminación de las virutas y reducen la temperatura en la zona de corte. El uso de líquidos lubricantes refrigerantes prolonga la vida de la cuchilla.

No utilice líquidos lubricantes refrigerantes de viscosidad alta (aceites densos y grasa lubricante), ya que dificultarán la evacuación de las virutas y del calor de la zona de corte, reduciendo así la vida de la cuchilla.

#### **Intensidad de explotación**

La herramienta eléctrica se acciona por un mo-

tor eléctrico, que asegura una potencia de corte suficiente para un tubo de acero de 6" (Ø170). La energía desprendida durante esta operación, así como al cortar piezas metálicas y de madera consistentes, de dimensiones por encima de Ø120 mm, conduce a una elevación considerable de la temperatura del reductor de la máquina.

A pesar del uso de una grasa especial de alta temperatura en el reductor de la máquina, el exceso de temperatura por encima de su valor crítico conduce a la evaporación del aceite de la grasa lubricante y al surgimiento de humo visible, que sale del reductor de la máquina. Esto es un índice claro de que la herramienta eléctrica ha sido sobrecargada térmicamente. Cuando se presente este índice, deberá dirigirse al centro de servicio más cercano de SPARKY donde diagnosticarán el estado de su herramienta eléctrica.

Para evitar una sobrecarga térmica de la herramienta eléctrica, es recomendable que después de cada operación más continua la herramienta eléctrica se desconecte, hasta alcanzar la temperatura ambiental. Un buen criterio para detectar que se ha iniciado la sobrecarga térmica de la herramienta es cuando se percibe la alta temperatura del reductor incluso cuando se utilicen guantes.

### **ACCESORIOS QUE PUEDEN UTILIZARSE CON ESTA HERRAMIENTA ELÉCTRICA**

Grapa (de 2" a 6");  
Llave hexaédrica (S4);  
Cuchillas.

## **Mantenimiento**



**ADVERTENCIA:** Desconecte siempre la herramienta eléctrica y saque el enchufe de la toma de corriente antes de cualquier revisión o mantenimiento.

### **CAMBIO DE LOS CEPILLOS**

La herramienta eléctrica está provista de cepillos que se desconectan automáticamente. Cuando los cepillos se desgasten, ambos cepillos deberán sustituirse simultáneamente por cepillos originales en un centro de servicio de SPARKY de mantenimiento de garantía y fuera de garantía.

## REVISIÓN GENERAL

---

Revise regularmente todos los elementos de entibación y cerciórese de que hayan sido bien atiesados. En caso de que alguno de los tornillos se haya aflojado, apriételo inmediatamente para evitar situaciones de riesgo.

Si el cable de alimentación está dañado, su sustitución debe efectuarse por el fabricante o por un técnico de servicio suyo para evitar los peligros de la sustitución.

## LIMPIEZA

---

Para una operación segura, mantenga la máquina y los orificios de ventilación (3) siempre limpios.

Revise regularmente si en la rejilla de ventilación, cerca del motor eléctrico o en torno a los conmutadores, no han entrado polvo o cuerpos ajenos. Utilice un cepillo suave y/o un chorro de aire comprimido para eliminar el polvo acumulado. Para proteger sus ojos, lleve gafas de protección durante la limpieza.

Si el cuerpo de la máquina necesita limpieza, límpielo con un paño suave y húmedo. Puede usarse un detergente de limpieza suave.



**ADVERTENCIA:** No se deben usar alcohol, gasolina ni otros disolventes. No utilice nunca detergentes de limpieza corrosivos para limpiar las piezas de plástico.



**ADVERTENCIA:** El agua no debe entrar en contacto con la máquina.

**¡IMPORTANTE!** Para garantizar una operación segura con la herramienta eléctrica y su fiabilidad, todas las actividades de reparación, mantenimiento y regulación (incluidas la revisión y la sustitución de los cepillos) deben efectuarse en los centros de servicio autorizados de SPARKY, utilizando solamente piezas de recambio originales.

## Garantía

---

El plazo de garantía de las herramientas eléctricas SPARKY se determina en la tarjeta de garantía.

Los defectos que hayan surgido como consecuencia del desgaste natural, de la sobrecarga o de la explotación incorrecta se excluyen de las obligaciones de la garantía.

Los defectos que hayan surgido como consecuencia de que se hayan invertido materiales de baja calidad y/o de errores de fabricación, serán subsanados sin pago adicional, mediante sustitución o reparación.

La reclamación por una herramienta eléctrica SPARKY defectuosa será reconocida cuando la máquina haya sido devuelta al proveedor o cuando haya sido presentada en un centro de servicio de garantía autorizado en su estado sin desmontar (inicial).

## Observaciones

---

Lea atentamente todo el manual de usuario antes de usar este producto.

El fabricante se reserva el derecho de introducir mejoras y modificaciones en sus productos, así como modificar las especificaciones, sin notificarlo.

Las especificaciones pueden variar para cada país.

## Conteúdo

Introdução .....	54
Dados técnicos.....	56
Indicações gerais de segurança do trabalho com ferramentas eléctricas .....	57
Regras adicionais de segurança do trabalho com serras de sabre .....	58
Conhecimento da ferramenta eléctrica.....	A/59
Instruções para o trabalho.....	B/60
Manutenção.....	63
Garantia .....	64

### DESEMBALAGEM

De acordo com as tecnologias de produção geralmente utilizadas, é pouco provável o novo instrumento eléctrico que você adquiriu ser ineficiente ou lhe faltar alguma peça. Mesmo assim, se você verificar que qualquer coisa não está bem, não trabalhe com o instrumento, enquanto a peça ineficiente não for substituída, ou a imperfeição não ficar eliminada. O não seguimento desta recomendação é capaz de provocar um acidente de trabalho grave.

### ENSAMBLAGEM

A serra de sabre suministra-se embalada e ensamblada, excepto a lâmina. A lâmina escolhe-se segundo a sua destinação (corte de metal, madeira, aglomerado, plásticos, etc.) depois do qual monta-se na ferramenta.

## Introdução

O novo instrumento eléctrico SPARKY que adquiriu vai ultrapassar as suas expectativas. Ele foi fabricado de acordo com os mais elevados padrões de qualidade da SPARKY, os quais vão de encontro com as exigências mais rigorosas do consumidor. Fácil de manutenção e seguro durante a utilização, sendo correctamente manipulado, este instrumento eléctrico servir-lhe-á fielmente durante muitos anos.

### ATENÇÃO!



Leia atentamente toda a instrução para o uso, antes de começar a trabalhar com o seu novo instrumento eléctrico SPARKY. Preste especial atenção aos textos que começam com a palavra "Atenção". O seu instrumento eléctrico SPARKY possui qualidades que não de facilitar o seu trabalho. Ao ser fabricado este instrumento eléctrico, maior atenção foi prestada à segurança, às qualidades de exploração e à fiabilidade, as quais fazem dele um instrumento fácil de manutenção e de exploração.



### Não deitar o instrumento eléctrico para o lixo comum!

Os resíduos de aparelhos eléctricos não se devem misturar com o lixo comum. Mande-os para reciclagem nos lugares destinados a isso. Ponha-se em contacto com as autoridades locais ou com um representante para consultar a forma de reciclagem.

### PROTECÇÃO DO MEIO AMBIENTE



Visando a protecção do meio ambiente, o instrumento eléctrico, os seus acessórios e embalagem têm de ser submetidos a uma adequada reelaboração para serem novamente utilizadas as matérias primas contidas neles.

Para facilitar a reciclagem, as peças feitas de materiais sintéticos levam a respectiva denotação.

## DESCRIÇÃO DOS SÍMBOLOS

Sobre a chapa com os dados do instrumento eléctrico estão denotados os símbolos especiais que fornecem importante informação sobre o artefacto ou recomendações para o seu uso.



Duplo isolamento para dupla protecção.



Conformidade com as directrizes europeias aplicáveis.



Está conforme com as exigências dos regulamentos da União Alfandegária.



Conformidade com as exigências dos documentos normativos ucranianos.




Leia a instrução para o uso.

YYYY-Www    Período de fabrico, onde os símbolos variáveis são:  
YYYY – ano de fabrico,  
ww - semana em curso.

TSB            Serra de sabre.

## Dados técnicos

Modelo	TSB 1300C	TSB 1300CE
▪ Consumo de energia	1300 W	1300 W
▪ Número de movimentos ao ralenti	2200 min <sup>-1</sup>	700-2200 min <sup>-1</sup>
▪ Movimento da lâmina	30 mm	30 mm
▪ Dimensão de adesão da cauda da lâmina	12,7; 20 mm	12,7; 20 mm
▪ Dimensão máxima no corte livre **	Ø6" (170 mm)	Ø6" (170 mm)
▪ Dimensão máxima no corte com braçadeira**	Ø6" (170 mm)	Ø6" (170 mm)
▪ Comprimento total	585 mm	605 mm
▪ Peso (EPTA procedimento 01/2014)	3,5 kg	3,6 kg
▪ Classe de segurança (EN 60745-1) 	II	II

### INFORMAÇÃO SOBRE RUÍDO E VIBRAÇÕES

Os valores foram determinados de acordo com EN 60745.

#### ▪ Emissão de ruído

A - nível de pressão sonora L <sub>pA</sub>	87 dB(A)	87 dB(A)
Indefinição K <sub>pA</sub>	3 dB	3 dB
A - nível de potência sonora L <sub>WA</sub>	98 dB(A)	98 dB(A)
Indefinição K <sub>WA</sub>	3 dB	3 dB

#### Use meios de protecção contra o ruído!

#### ▪ Emissão de vibrações \*

Valor global das vibrações emanadas (soma vectorial pelos três eixos), determinado segundo EN 60745:

##### Corte de madeira

Valor das vibrações emanadas a <sub>h,CW</sub>	25 m/s <sup>2</sup>	25 m/s <sup>2</sup>
Indefinição K <sub>h,CW</sub>	1,5 m/s <sup>2</sup>	1,5 m/s <sup>2</sup>

##### Corte de tubo de metal com braçadeira do modo perpendicular

Valor das vibrações emanadas a <sub>h,CM</sub>	12,3 m/s <sup>2</sup>	12,3 m/s <sup>2</sup>
Indefinição K <sub>h,CM</sub>	1,7 m/s <sup>2</sup>	1,7 m/s <sup>2</sup>

\* As vibrações foram determinadas de acordo com o p. 6.2.7 de EN 60745

\*\* Leia o texto no ponto "Intensidade do uso".

O nível das vibrações, indicado neste manual, foi determinado com base no teste indicado por EN 60745 e pode ser utilizado para a comparação de instrumentos eléctricos. O nível das vibrações pode ser utilizado para a avaliação prévia do grau de impacto.

O nível das vibrações declarado refere-se à utilização principal do instrumento. Caso o instrumento eléctrico seja utilizado para outros fins, ou forem utilizados outros acessórios, ou o instrumento não for bem tratado, o nível das vibrações diferenciar-se-á do declarado. Em tais casos o nível do impacto pode crescer consideravelmente dentro do período laboral total.

Ao avaliar o nível de impacto das vibrações, é preciso considerar também o tempo em que o instrumento está desligado, ou está ligado, mas sem funcionar. Tal pode diminuir consideravelmente o nível do impacto dentro do período laboral total.

Mantenha o instrumento eléctrico e os acessórios em bom estado. Cuide as mãos quentes durante o trabalho – isto vai diminuir o efeito nocivo do trabalho com instrumentos de vibração elevada.

O pó resultante do processamento dos materiais tais como pinturas com conteúdo de chumbo, certos tipos de madeiras, minerais e metais, pode ser nocivo para a saúde. O contacto directo ou a aspiração do pó pode causar reacções alérgicas e/ou doenças das vias respiratórias do trabalhador ou das pessoas que se encontram perto dele.

Alguns tipos de pó, por exemplo o de carvalho ou de faia consideram-se carcinogénicos, sobretudo em combinação com ingredientes utilizados no processamento da madeira, tais como cromato ou conservantes.

O material que contém amianto tem de ser processado só por especialistas.

- Quando for possível, utilize sistemas para o desvio do pó.
- Garanta a boa ventilação do local de trabalho.
- Recomenda-se o uso de máscara anti pó com filtro da classe P2.

Cumpra as regras vigentes no Seu país referentes ao processamento dos diferentes materiais.



# Indicações gerais de segurança do trabalho com ferramentas eléctricas



**ATENÇÃO!** Devem ser lidas todas as indicações de advertência e todas as instruções. O desrespeito das advertências e instruções apresentadas abaixo pode causar choque eléctrico, incêndio e/ou graves lesões.

Guarde bem todas as advertências e instruções para futura referência.

O termo “Ferramenta eléctrica” utilizado a seguir nas indicações de advertência, refere-se a ferramentas eléctricas operadas com corrente de rede (com cabo de rede) e a ferramentas eléctricas operadas com bateria (sem cabo de rede).

## 1) Segurança da área de trabalho

- Mantenha a sua área de trabalho sempre limpa e bem iluminada. *Desordem ou áreas de trabalho insuficientemente iluminadas podem levar a acidentes.*
- Não trabalhar com a ferramenta eléctrica em áreas com risco de explosão, nas quais se encontrem líquidos, gases ou pós inflamáveis. *Ferramentas eléctricas produzem faíscas, que podem inflamar pós ou vapores.*
- Manter crianças e outras pessoas afastadas da ferramenta eléctrica durante a utilização. *No caso de distração é possível que perca o controlo sobre o aparelho.*

## 2) Segurança eléctrica

- A ficha de conexão da ferramenta eléctrica deve caber na tomada. A ficha não deve ser modificada de maneira alguma. Não utilizar uma ficha de adaptação junto com ferramentas eléctricas protegidas por ligação a terra. *Fichas não modificadas e tomadas apropriadas reduzem o risco de um choque eléctrico.*
- Evitar que o corpo possa entrar em contacto com superfícies ligadas a terra, como tubos, aquecimentos, fogões e frigoríficos. *Há um risco elevado devido a choque eléctrico, se o corpo estiver ligado a terra.*
- Manter o aparelho afastado de chuva ou humidade. *A infiltração de água numa fer-*

*ramenta eléctrica aumenta o risco de choque eléctrico.*

- Não deverá utilizar o cabo para outras finalidades. Jamais utilizar o cabo para transportar a ferramenta eléctrica, para pendurá-la, nem para puxar a ficha da tomada. Manter o cabo afastado de calor, óleo, cantos afiados ou partes do aparelho em movimento. *Cabos danificados ou emaranhados aumentam o risco de um choque eléctrico.*
- Se trabalhar com uma ferramenta eléctrica ao ar livre, só deverá utilizar cabos de extensão apropriados para áreas exteriores. *A utilização de um cabo de extensão apropriado para áreas exteriores reduz o risco de um choque eléctrico.*
- Se não for possível evitar o funcionamento da ferramenta eléctrica em áreas húmidas, deverá ser utilizado uma disjuntor de corrente de avaria. *A utilização de um disjuntor de corrente de avaria reduz o risco de um choque eléctrico.*

## 3) Segurança de pessoas

- Esteja atento, observe o que está a fazer e tenha prudência ao trabalhar com a ferramenta eléctrica. Não utilizar uma ferramenta eléctrica quando estiver fadigado ou sob a influência de drogas, álcool ou medicamentos. *Um momento de descuido ao utilizar a ferramenta eléctrica, pode levar a lesões graves.*
- Utilizar equipamento de protecção pessoal e sempre óculos de protecção. *A utilização de equipamento de protecção pessoal, como máscara de protecção contra pó, sapatos de segurança antiderrapantes, capacete de segurança ou protecção auricular, de acordo com o tipo e aplicação da ferramenta eléctrica, reduz o risco de lesões.*
- Evitar uma colocação em funcionamento involuntária. Assegure-se de que a ferramenta eléctrica esteja desligada, antes de conectá-la a alimentação de rede e/ou ao acumulador, antes de levantá-la ou de transportá-la. *Se tiver o dedo no interruptor ao transportar a ferramenta eléctrica ou se o aparelho for conectado a alimentação de rede enquanto estiver ligado, poderão ocorrer acidentes.*
- Remover ferramentas de ajuste ou chaves de boca antes de ligar a ferramenta eléctrica. *Uma ferramenta ou chave que se encontre numa parte do aparelho em movimento pode levar a lesões.*

- e) **Evite uma posição anormal. Mantenha uma posição firme e mantenha sempre o equilíbrio.** *Desta forma é mais fácil controlar a ferramenta eléctrica em situações inesperadas.*
- f) **Usar roupa apropriada. Não usar roupa larga nem jóias. Mantenha os cabelos, roupas e luvas afastadas de partes em movimento.** *Roupas frouxas, cabelos longos ou jóias podem ser agarrados por peças em movimento.*
- g) **Se for possível montar dispositivos de aspiração ou de recolha, assegure-se de que estejam conectados e utilizados correctamente.** *A utilização de uma aspiração de pó pode reduzir o perigo devido ao pó.*

#### 4) Utilização e manuseio cuidadoso de ferramentas eléctricas

- a) **Não sobrecarregue o aparelho. Utilize a ferramenta eléctrica apropriada para o seu trabalho.** *É melhor e mais seguro trabalhar com a ferramenta eléctrica apropriada na área de potência indicada.*
- b) **Não utilizar uma ferramenta eléctrica com um interruptor defeituoso.** *Uma ferramenta eléctrica que não pode mais ser ligada nem desligada, é perigosa e deve ser reparada.*
- c) **Puxar a ficha da tomada e/ou remover o acumulador antes de executar ajustes no aparelho, de substituir acessórios ou de guardar o aparelho.** *Esta medida de segurança evita o arranque involuntário da ferramenta eléctrica.*
- d) **Guardar ferramentas eléctricas não utilizadas fora do alcance de crianças. Não permita que pessoas que não estejam familiarizadas com o aparelho ou que não tenham lido estas instruções, utilizem o aparelho.** *Ferramentas eléctricas são perigosas se forem utilizadas por pessoas inexperientes.*
- e) **Tratar a ferramenta eléctrica com cuidado. Controlar se as partes móveis do aparelho funcionam perfeitamente e não emperram, e se há peças partidas ou danificadas que possam prejudicar o funcionamento da ferramenta eléctrica. Permitir que peças danificadas sejam reparadas antes da utilização.** *Muitos acidentes têm como causa, a manutenção insuficiente de ferramentas eléctricas.*
- f) **Manter as ferramentas de corte afiadas e limpas.** *Ferramentas de corte cuidadosamente tratadas e com cantos de corte*

*afiados emperram com menos frequência e podem ser conduzidas com maior facilidade.*

- g) **Utilizar a ferramenta eléctrica, acessórios, ferramentas de aplicação, etc. conforme estas instruções. Considerar as condições de trabalho e a tarefa a ser executada.** *A utilização de ferramentas eléctricas para outras tarefas a não ser as aplicações previstas, pode levar a situações perigosas.*

#### 5) Serviço

- a) **Só permita que o seu aparelho seja reparado por pessoal especializado e qualificado e só com peças de reposição originais.** *Desta forma é assegurado o funcionamento seguro do aparelho.*

## Regras adicionais de segurança do trabalho com serras de sabre



**ADVERTÊNCIA:** Antes de ligar a ferramenta eléctrica à rede de alimentação, verifique se a tensão da rede eléctrica corresponde à que está indicada sobre a chapa com os dados técnicos da ferramenta eléctrica.

- Fonte de alimentação superior à indicada para o instrumento eléctrico pode causar tanto uma séria lesão de choque eléctrico ao operário, como também avaria no instrumento.
- Se tiver quaisquer hesitações, não meta a ficha de contacto do instrumento na rede eléctrica.
- Fonte de alimentação inferior à indicada para o instrumento eléctrico pode causar dano ao motor eléctrico.



**Use meios de protecção do ouvido.** *O barulho intenso durante o trabalho pode causar danos auditivos.*



**Durante o trabalho use meios de protecção da vista para se proteger de partículas voadoras.** *Use óculos de protecção.*



**Tome medidas de protecção contra a aspiração de pó.** *Alguns materiais podem conter elementos tóxicos. Use máscara anti-pó. Use dispositivo de remoção do pó, caso seja possível ligá-lo à ferramenta eléctrica.*



### Use luvas protectoras.

- Pegue no instrumento só pelas superfícies de pega isoladas quando está a realizar qualquer operação durante a qual a lâmina cortante pode tocar alguma instalação eléctrica escondida ou o seu próprio cordão. O contacto da lâmina cortante com um cabo sob tensão deixará sob tensão as partes metálicas descobertas da ferramenta eléctrica e o operário pode sofrer um choque eléctrico.



**ADVERTÊNCIA:** Desligue a ferramenta eléctrica da rede antes de realizar quaisquer consertos, reparações ou manutenção.

- Depois dum trabalho prolongado as partes metálicas externas e os acessórios podem ficar quentes. Não pegue na ferramenta ou na peça processada imediatamente depois de processo de trabalho – eles podem ter ficado quentes de mais e causar-lhe queimaduras.
- Cuide as mãos de peças em movimento.
- Se possível, sempre use grampos ou vício para afixar a peça processada.
- Sempre desligue a serra de sabre e espere a lâmina cortante deixar definitivamente de girar, antes de deixar de lado a ferramenta.
- Não sobrecarregue a ferramenta: trabalhe com pressão moderada. A sobrecarga resulta da aplicação duma pressão exagerada, em resultado da qual o motor eléctrico desacelera-se e isto constitui uma premissa para a pouca eficiência e eventual avaria do motor.
- Nunca deixe na zona operacional farrapos, cordões, estopas, etc.
- Antes de usar a ferramenta sobre uma peça concreta, conecte-a e deixe-a trabalhar algum tempo para verificar que está a funcionar normalmente. Durante o trabalho, a ferramenta tem de ficar a uma distância de pelo menos 200 mm da cara e do corpo do operador.
- Mantenha sempre a posição estável do corpo. Ao trabalhar a uma determinada altura verifique se não fica ninguém debaixo.
- Pegue firmemente na ferramenta.
- A ferramenta eléctrica tem de ser usada só para o que for destinado. Qualquer outro uso diferente do que está descrito na presente instrução, considerar-se-á uso incorrecto. A responsabilidade por qualquer avaria ou lesão decorrentes do uso incorrecto será assu-

mida pelo utente e não pelo fabricante.

- Para explorar correctamente esta ferramenta eléctrica, tem de observar as regras de segurança, as instruções gerais e as recomendações para o trabalho mencionadas aqui. Todos os utentes têm de conhecer a presente instrução para o trabalho e estar informados dos potenciais riscos ao trabalharem com o instrumento eléctrico. Crianças e pessoas de físico fraco não têm de usar a ferramenta eléctrica. As crianças têm de encontrar-se sob custódia permanente, caso se encontrem perto do lugar onde se trabalha com a ferramenta. É obrigatório tomar medidas preventivas de segurança. O mesmo refere-se à observância das regras principais de saúde profissional e segurança técnica.
- O fabricante não assume a responsabilidade pelas alterações feitas na ferramenta por parte do utente, nem pelas avarias resultantes de semelhantes alterações.
- A ferramenta não tem de ser utilizada ao ar livre quando chover, em ambiente úmido (depois de chuva) ou perto de líquidos ou gases inflamáveis. O posto de trabalho tem de ser bem iluminado.

## Conhecimento da ferramenta

Antes de começar a trabalhar com a ferramenta eléctrica conheça todas as suas particularidades operacionais e as condições de segurança Use a ferramenta eléctrica e seus acessórios só para o que forem destinados. Todo uso diferente fica terminantemente proibido.

1. Apoio
2. Camisa de borracha
3. Aberturas de ventilação
4. Manipula traseira
5. Botão bloqueador
6. Interruptor
7. Protector do cordão
8. Chave sextavada
9. Segurador
10. Parafuso
11. Chapa
12. Pistão
13. Lâmina cortante
14. Pino de centragem
15. Abertura de adesão
16. Canal perfilador
17. Pino limitador

- 18. Parafuso apertador
- 19. Eixo
- 20. Braçadeira
- 21. Regulador electrónico da velocidade (TSB 1300CE)

## Instruções para o trabalho

Esta ferramenta eléctrica alimenta-se só por tensão monofásica variável. Pode-se ligar a contactos sem braçadeiras de segurança, pois tem duplo isolamento de acordo com EN 60745-1 e IEC 60745-1. As interferências de rádio correspondem à Directriz de compatibilidade electromagnética.

Esta ferramenta é destinada para cortar tubos e perfis de metal e plástico, madeira e materiais de construção leves (blocos de betão celular) mediante as respectivas lâminas apropriadas.

### ANTES DE INICIAR O TRABALHO

- Verifique se a tensão na rede eléctrica corresponde à da que está indicada sobre a chapa dos dados técnicos da ferramenta.
- Verifique em que posição se encontra o interruptor. A ferramenta tem de se ligar e desligar da rede alimentadora só com o interruptor desconectado. Se meter a ficha no contacto enquanto o interruptor estiver na posição de conectado, a ferramenta accionar-se-á imediatamente, o qual constitui uma premissa para acidente.
- Convença-se da perfeição do cabo alimentador e da ficha. Se o cabo estiver avariado, a substituição tem de se fazer pelo fabricante ou pelo seu especialista no serviço, para se evitarem os eventuais riscos.



**ADVERTÊNCIA:** Desligue a ferramenta da rede retirando a ficha antes de executar qualquer trabalho de conserto, assistência ou manutenção.

### ESCOLHA DA LÂMINA CORTANTE

A lâmina escolhe-se de acordo com o material a processar – para corte de metal, de madeira, universal, etc.

Cada um dos tipos de lâminas acima enumerados oferece-se com diferentes comprimentos da parte cortante.

Ao escolhermos a lâmina apropriada temos de tomar em conta o material processado (metal,

madeira, etc.) e o comprimento necessário. Escolha o comprimento da lâmina de modo que ela obrigatoriamente saia fora do material processado com pelo menos 35 mm.

Ao observar esta regra, vai reduzir ao mínimo a hipótese de lesionar-se durante o trabalho (fig.1)

Para atingir a produtividade máxima e a incisão mais precisa, para conservar a nitidez da lâmina e aumentar a sua longevidade, use sempre lâmina de comprimento e destinação apropriados para a operação concreta.



**ADVERTÊNCIA:** No processo do corte a lâmina chega a atingir temperatura elevada de aquecimento. Não toque a lâmina imediatamente depois de ter terminado o trabalho, pois pode sofrer queimaduras. Recomendamos deixar a serra durante algum tempo até arrefecer, bem como usar luvas ao efectuar substituição da lâmina.

### COLOCAÇÃO E SUBSTITUIÇÃO DA LÂMINA

1. Convença-se de que a ficha do csbo alimentador foi retirada da rede eléctrica
2. Retire a chave sextavada (8) do seu segurador (9).
3. Deite a ferramenta sobre uma superfície plana e dura, tal como indicado na Fig.2. Ao colocar ou substituir a lâmina (13), não é permitido deixar a ferramenta acima do protector do cordão (7) – isto pode levar a uma avaria do cordão alimentador e risco de lesão por choque eléctrico.
4. Desenrole o parafuso (10) até a sua cabeça chegar a tocar a parede da tampa.
5. Retire com cuidado a velha lâmina (13).
6. Coloque a nova lamina (13) de modo que o pino de centragem (14) entre na abertura de centragem na cauda da lâmina.
7. Aparafuse com cuidado o parafuso apertador (10) até que a chapa (11) chegue a tocar a lâmina (13).
8. Convença-se de que a lâmina( 13)tem entrado bem no seu canal dentro da chapa (11).
9. Aperte ao máximo o parafuso (10).
10. Coloque a chave sextavada (8) no seu segurador (9).

A execução cuidadosa e estricta das operações acima descritas garante a fixação estável e segura da lamina sobre a ferramenta.

A fixação da lâmina realize-se pelas forças que actuam entre ela, o pistão e a chapa, bem como

pela elaboração precisa do canal dentro da chapa que copia a cauda da lâmina. O pino de centragem serve apenas para orientação inicial da lâmina durante a montagem e não é apropriado para suportar cargas de energia no processo do corte.

Posição do regulador	Número de movimentos ao ralenti	Metal	Madeira	Plástico	Cerâmica, betão celular
G	2200	+	+	-	-
F	2050	+	+	-	-
E	1750	+	-	-	-
D	1500	+	-	-	+
C	1200	+	-	+	+
B	950	+	-	+	+
A	700	+	-	+	+

Se a motagem da lâmina for imperfeita, o pino de centragem vai sofrer cargas de energia em resultado das quais pode ficar deformado ou mesmo partido e, sendo assim, a ferramenta tem de ser levada à oficina de assistência para substituição do pino de centragem.

**Não se admite trabalhar com ferramenta cujo pino de centragem é deformado ou falta!**

Se o parafuso apertador não pode apertar suficientemente o mecanismo de adesão da lâmina por desgaste do encaixe sextavado do parafuso, desgaste a sua rosca ou desgaste da chave sextavada, isto pode causar a deformação do pino de centragem ou o seu cisalhamento. Por isso, o parafuso apertador ou chave sextavada gastos têm de ser oportunamente substituídos por novos.

**ARRANCO - PARAGEM**



**ADVERTÊNCIA:** Antes de conectar a ferramenta na rede alimentadora, convença-se de que a tensão alimentadora corresponde à indicada sobre a chapa dos dados técnicos da ferramenta.

▪ Arranco: Pegue a serra nas mãos e sujeite-a bem e estavelmente. Convença-se de que a lâmina não tenha entrado em contacto com outros objectos. Empurre para frente o botão bloqueador (5), depois aperte o interruptor (6).

A ferramenta está provida de electrónica para arranco principal – inicialmente a ferramenta arranca a velocidade mais baixa e depois de 3-4 segundos atinge as suas rotações opera-

cionais

▪ Paragem: Para parar o trabalho da ferramenta, afrouxe o interruptor (6).

**REGULAÇÃO DA FREQUÊNCIA DOS MOVIMENTOS**

O valor óptimo da velocidade para o processamento dos diferentes materiais diferencia-se em virtude de numerosos factores (o material processado, o tipo da lâmina usada, o acesso da zona de corte, etc.).

Mais frequentemente, a velocidade óptima para a respectiva aplicação consegue-se experimentalmente no processo de trabalho.

Use a informação do quadro para a escolha inicial da velocidade. Dobre o rodízio do regulador electrónico da velocidade de modo que a posição escolhida por Você (a letra) fique à frente do marcador (▼).

**CORTE**

Pegue sempre na ferramenta tal como indicado na Fig.3 – para evitar o perigo de lesão por corrente eléctrica. Se durante o trabalho a serra entrar em contacto com cabo sob tensão, Então o redutor da ferramenta, o apoio da frente e a lâmina tornam-se condutores de corrente. Pegue na ferramenta pela manipula traseira (4) e a camlsa de borracha (2) para reduzir ao mínimo a hipótese de lesão por corrente eléctrica.

**Corte com braçadeira no sentido perpendicular**

Junte a braçadeira (2) de corte no sentido perpendicular à ferramenta de modo que o eixo (19) da braçadeira entre na abertura de adesão (15) da ferramenta, ao passo que o pino limitador (17) entre no canal perfilador (16).

Procure que a prisma da braçadeira (20) de corte perpendicular esteja limpa de limalhas e outros poluentes, pois isto pode levar ao posicionamento incorrecto da peça processada e

não se vai garantir o sentido perpendicular da incisão.

Coloque a ferramenta junto com a braçadeira (20) de corte perpendicular sobre o tubo de modo que o parafuso apertador se encontre sob ângulo recto em relação ao tubo.

Aperte bem com o parafuso apertador, mas sem deformar o tubo.

Em função da mão com a qual lhe resulta mais cómodo trabalhar, com uma mão pegue na manipula do parafuso apertador (18) e com a outra – na manipula (4) da ferramenta e depois conecte a ferramenta.

Enquanto estiver pegando na manipula (4) da ferramenta e o interruptor estiver na posição de conectado, vá puxando o extremo traseiro da ferramenta de modo que comece a cortar. Puxe o extremo traseiro da ferramenta até que a peça processada fique completamente cortada.

Para conseguir a produtividade e a velocidade de corte óptimas, bem como para poupar a lâmina, regule a pressão sobre a peça processada puxando mais rapidamente ou mais lentamente o extremo traseiro da ferramenta.

A pressão exagerada não aumenta a velocidade do corte.

#### **Corte livre**

Recomendamos em cada caso possível afixar bem o material processado com vício ou outro mecanismo de aperto.

Para obter incisões rectas e limpas em metal e ao cortar em linha curva (corte de árvore, plástico, betão celular, etc.) é necessário que durante todo o tempo do corte do material o apoio (1) esteja bem apertado ao material processado.

Use só lâminas de nitidez perfeita, destinadas ao respectivo material e com o comprimento necessário.

Durante o processo de corte procure aplicar pressão regular que constitui premissa para o corte rápido, fácil e preciso.

A pressão exagerada não aumenta a velocidade de corte, mas sim leva a sobrecarga da ferramenta e diminui a longevidade da lâmina.

Durante o corte pegue bem na ferramenta apertando fortemente o apoio (1) ao material processado.

Durante o trabalho o cordão alimentador da ferramenta tem de ficar sempre detrás dela e não cair na zona operacional.

#### **Corte de aberturas (Fig. 4)**

Ao cortar Madeira macia e materiais ligeiros de construção é possível primeiro entalhar a lâmina no material e depois ir formando a abertura no material processado. Para o fim, em estado desconectado da serra, coloque o seu extremo

inferior sobre o apoio (1) e a ponta da lâmina (13) – no início da incisão. Conecte a serra e comece lenta e cuidadosamente elevar o extremo traseiro procurando que o apoio (1) não perca o contacto permanente com o material processado. Dobre a serra até que a lâmina (13) se entalhe completamente no material processado, depois do qual continue o corte no sentido desejado.

Ao trabalhar com materiais mais duros, a técnica do entalhe no material não se recomenda, pois existe o perigo de ficar lesionado.

Para iniciar o corte de abertura em material duro, primeiro perfure uma abertura que concorda com as dimensões da lâmina usada e, a partir de essa abertura, comece o corte

É importante que o apoio esteja sempre bem apertado ao material durante o corte.. Assim vai conseguir a regularidade do processo de corte com menos vibrações.

#### **Uso de lubrificantes**

Ao cortar peças de metal (tubos, perfis, etc.) tem de usar líquidos refrigerantes lubrificantes de baixa viscosidade que ajudem a remoção de limalhas e baixem a temperatura na zona do corte. O uso de líquidos refrigerantes lubrificantes prolonga a vida da lâmina.

Não use líquidos refrigerantes lubrificantes de viscosidade elevada (óleos viscosos e graxa), pois eles dificultam a remoção de limalhas e da temperatura na zona do corte e, também, reduzem a vida da lâmina.

#### **Intensidade do uso**

A ferramenta acciona-se por motor eléctrico que garante a energia suficiente para cortar um tubo de aço 6" (Ø170). A energia emanada durante essa operação, como também no corte de metais de maior densidade e madeira de dimensão maior de Ø120 mm, leva ao aumento considerável da temperatura no redutor da ferramenta.

Apesar do uso de graxa especial de alta temperatura no redutor da ferramenta, o aumento da temperatura acima do limite crítico causa a evaporação do óleo da graxa e ao aparecimento de fumo visível que sai do refutor da ferramenta. Isto é um sinal evidente de sobrecarga térmica da ferramenta. Ao aparecer este sinal, tem de se dirigir à oficina de assistência mais próxima da SPARKY para ser diagnosticado o estado da ferramenta. Para evitar a sobrecarga térmica da ferramenta, recomendamos, depois da cada operação mais prolongada, desconectar a ferramenta até ela atingir a temperatura de ambiente do local. Um bom critério para determinar o início de sobrecarga térmica é quando o operador



sente a temperatura elevada do redutor mesmo através das luvas.

## **ACESSÓRIOS QUE PODEM SER USADOS COM ESTA FERRAMENTA**

---

Braçadeira (de 2" a 6");  
Chave sextavada (S4);  
Lâminas.

## **Manutenção**

---



**ADVERTÊNCIA:** Siempre desligue a ferramenta da rede quando vai efectuar qualquer revisão ou manutenção.

### **SUBSTITUIÇÃO DAS ESCOVAS**

---

A ferramenta eléctrica está equipada com escovas de auto-stop. Quando as escovas ficarem gastas, ambas têm de ser substituídas simultaneamente por escovas originais da oficina de serviço da SPARKY para assistência no prazo de garantia e fora dele.

### **REVISÃO GERAL**

---

Revise regularmente todos os elementos de suporte e verifique se estão bem apertados. Caso algum parafuso tenha ficado afrouxado, apertado imediatamente para evitar situações de risco.

Se o cabo alimentador estiver danificado, a substituição tem de se fazer pelo produtor ou seu especialista autorizado de oficina de serviço, para evitar os perigos da substituição.

### **LIMPEZA**

---

Para um trabalho seguro mantenha sempre limpas a ferramenta e as aberturas de ventilação (3). Verifique regularmente se na grade da ventilação perto do motor eléctrico e dos comutadores não tenham penetrado pó ou corpos alheios. Use uma escova fina para remover o pó acumulado. Para proteger os olhos durante a limpeza use óculos protectores. Caso o corpo da ferramenta precise de limpeza, use um pano macio húmido. Pode usar também algum detergente fraco.



**ADVERTÊNCIA:** Não se admite o uso de álcool, gasolina ou outros solventes. Nunca use substâncias corrosivas para limpar as partes de plástico.



**ADVERTÊNCIA:** Não se admite a entrada de água em contacto com a ferramenta.

**IMPORTANTE!** Para garantir o trabalho seguro com o instrumento e a confiança nele, todas as actividades relacionadas com reparação, manutenção e regulação (incluindo a revisão e substituição das escovas) têm de se fazer nas oficinas de serviço autorizadas da SPARKY utilizando só peças de sobresselente originais.



## **Garantia**

---

O prazo de garantia dos instrumentos eléctricos SPARKY está indicado no cartão de garantia. Problemas surgidos em resultado do desgaste natural, sobrecarga ou utilização incorrecta, ficam excluídos dos deveres da garantia. Os problemas surgidos devido ao uso de materiais de baixa qualidade e/ou erros de fabricação, eliminam-se sem pagamento adicional mediante substituição ou reparação.

Reclamação por um instrumento eléctrico SPARKY defeituoso reconhece-se quando o instrumento for devolvido ao distribuidor ou for levado a uma oficina autorizada de assistência em prazo de garantia no seu estado inicial (montado).

## **Observações**

---

Leia atentamente toda a instrução para o uso, antes de começar a trabalhar com este aparelho. O fabricante reserva-se o direito de introduzir melhoras e modificações nos seus aparelhos, bem como modificar as especificações sem aviso.

As especificações podem variar de país para país.

## Spis treści

Wprowadzenie.....	65
Dane techniczne .....	67
Ogólne wytyczne dotyczące bezpieczeństwa pracy narzędziami elektrycznymi.....	68
Dodatkowe wytyczne dotyczące bezpieczeństwa pracy piłami szablстыми .....	69
Zapoznanie z elektronarzędziem .....	A/70
Wytyczne pracy.....	B/70
Konserwacja.....	74
Gwarancja .....	75

### ROZPAKOWYWANIE

Ze względu na nowoczesne metody produkcji masowej, istnieje niewielkie prawdopodobieństwo, iż zakupione przez Państwa narzędzie jest wadliwe, bądź niekompletne. W przypadku stwierdzenia jakichkolwiek nieprawidłowości, nie uruchamiać narzędzia do chwili wymiany części lub usunięcia usterki. Niezastosowanie się do tego zalecenia może skutkować poważnym uszkodzeniem ciała.

### MONTAŻ

Piła szablsta dostarczana jest w stanie opakowanym i całkowicie zmontowanym, z wyjątkiem brzeszczotu. Brzeszczot dobiera się w zależności od jego zastosowania (cięcie metalu, drewna, płyt z cząsteczek drzewnych, tworzywa sztucznego i ln.) i montuje się do elektronarzędzia.

## Wprowadzenie

Zakupione przez Państwa elektronarzędzie marki SPARKY spełni nawet najbardziej wygórowane oczekiwania użytkownika. Zostało ono wyprodukowane z zachowaniem rygorystycznych norm jakościowych SPARKY, aby zagwarantować doskonałe parametry pracy. Przekonają się Państwo, że Wasze nowe narzędzie jest łatwe i bezpieczne w obsłudze i, przy zachowaniu odpowiednich zasad użytkowania, będzie Wam niezawodnie służyć przez wiele lat.

### OSTRZEŻENIE!



Prosimy o dokładne zapoznanie się z niniejszą instrukcją obsługi przed użyciem urządzenia SPARKY, zwracając szczególną uwagę na ostrzeżenia i uwagi. Dzięki swoim cechom, urządzenie SPARKY zapewnia szybką i łatwą pracę. Bezpieczeństwo, niezawodność i wydajność były priorytetami przy konstruowaniu tego urządzenia aby zapewnić łatwość obsługi oraz utrzymania.



**Nie wyrzucać produktów elektrycznych razem z odpadami z gospodarstw domowych!**

Zużyte artykuły elektryczne nie powinny być wyrzucane wraz z odpadami z gospodarstw domowych. Należy je utylizować w przeznaczonych do tego miejscach. Informacji na temat utylizacji udzielają władze lokalne bądź sprzedawcy.

### OCHRONA ŚRODOWISKA



Utylizując urządzenie, osprzęt i opakowanie należy poddać poszczególne elementy sortowaniu z myślą o ochronie środowiska naturalnego.

Elementy plastikowe zostały odpowiednio oznaczone, aby umożliwić utylizację wg odpowiedniej klasyfikacji odpadów.

## OPIS SYMBOLI

Na tabliczce znamionowej narzędzia mogą znajdować się symbole oznaczające ważne informacje o produkcie lub instrukcji jego użytkowania.



Podwójna izolacja dla zabezpieczenia dodatkowego



Zgodny z odpowiednimi dyrektywami europejskimi.



Spełnia wymagania przepisów Unii Celnej.



Zgodność z wymogami ukraińskich dokumentów normatywnych.




Zapoznać się z instrukcją obsługi.

YYYY-Www Okres produkcji, gdzie zmiennymi symbolami są:  
YYYY - rok produkcji,  
ww - kolejny tydzień kalendarzowy.

TSB Piła szablasta.

## Dane techniczne

Model	TSB 1300C	TSB 1300CE
▪ Pobór mocy	1300 W	1300 W
▪ Liczba skoków na biegu jałowym	2200 min <sup>-1</sup>	700-2200 min <sup>-1</sup>
▪ Skok brzeszczotu (noża)	30 mm	30 mm
▪ Rozmiar podłączenia końcówki brzeszczotu	12,7; 20 mm	12,7; 20 mm
▪ Maksymalny rozmiar przy swobodnym cięciu **	Ø6" (170 mm)	Ø6" (170 mm)
▪ Maksymalny rozmiar przy swobodnym cięciu z chwytem (skobel) **	Ø6" (170 mm)	Ø6" (170 mm)
▪ Długość gabarytowa	585 mm	605 mm
▪ Waga (EPTA procedura 01/2014)	3,5 kg	3,6 kg
▪ Klasa ochronności (EN 60745-1) 	II	II
<b>INFORMACJA O HAŁASIE I DRGANIACH</b>		
Wartości zmierzono zgodnie z EN 60745.		
<b>▪ Emisja hałasu</b>		
A- poziom zważony ciśnienia dźwiękowego L <sub>pA</sub>	87 dB(A)	87 dB(A)
Nieokreśloność K <sub>pA</sub>	3 dB	3 dB
A- poziom zważony natężenia dźwiękowego L <sub>WA</sub>	98 dB(A)	98 dB(A)
Nieokreśloność K <sub>WA</sub>	3 dB	3 dB
<b>Stosować środki ochrony przed hałasem!</b>		
<b>▪ Emisja drgań *</b>		
Wartość łączna drgań (suma wektorowa trzech osi), ustalona zgodnie z EN 60745:		
Cięcie drewna		
Wartość emitowanych drgań a <sub>h,CW</sub>	25 m/s <sup>2</sup>	25 m/s <sup>2</sup>
Nieokreśloność K <sub>h,CW</sub>	1,5 m/s <sup>2</sup>	1,5 m/s <sup>2</sup>
Cięcie rury metalowej z zaciskiem do cięcia pionowego		
Wartość emitowanych drgań a <sub>h,CM</sub>	12,3 m/s <sup>2</sup>	12,3 m/s <sup>2</sup>
Nieokreśloność K <sub>h,CM</sub>	1,7 m/s <sup>2</sup>	1,7 m/s <sup>2</sup>
* Drgania ustalono zgodnie z pkt. 6.2.7 normy EN 60745		
** Przeczytaj treść punktu "Intensywność stosowania".		

Podany w niniejszej instrukcji poziom drgań został zmierzony zgodnie z określoną przez normę EN 60745 procedurą i może być używany do porównywania urządzeń. Może być stosowany do wstępnego określenia ekspozycji.

Deklarowany poziom emisji drgań odnosi się do głównego zastosowania urządzenia. Jeżeli urządzenie zostanie przeznaczone do innych zastosowań, z innym osprzętem lub nie będzie należycie konserwowane, poziom emisji wibracji może się różnić. Może to znacznie zwiększyć poziom ekspozycji w łącznym czasie pracy.

Aby dokładnie określić poziom ekspozycji na drgania, należy także brać pod uwagę okresy gdy urządzenie jest wyłączone, lub gdy nawet jest włączone, ale nie wykorzystywane do pracy. Może to znacznie obniżyć poziom ekspozycji na drgania w łącznym czasie pracy.

Chronić urządzenie oraz osprzęt oraz dbać o zapewnienie ciepła dłoniom podczas pracy w celu obniżenia szkodliwego wpływu drgań.

Pył z takich materiałów jak np. farba zawierająca ołów, niektóre gatunki drewna, minerały oraz metal może być szkodliwy. Kontakt lub inhalacja pyłów może spowodować reakcje alergiczne i/lub choroby układu oddechowego u operatora lub osób znajdujących się w bezpośredniej bliskości.

Pewne odmiany pyłów sklasyfikowane są jako rakotwórcze np. pył dębowy czy bukowy w szczególności w połączeniu z dodatkami zawierającymi chromaty i środki konserwujące. Materiały zawierające azbest mogą być obrabiane jedynie przez specjalistów.

- Tam gdzie możliwe jest stosowanie odciągu pyłów należy je stosować.
- Miejsce pracy musi być dobrze wentylowane.
- Zaleca się stosowanie maski p.pyłowej lub filtrów klasy P2.

Przestrzegać przepisów krajowych odnośnie obrabianych materiałów.

# Ogólne wytyczne dotyczące bezpieczeństwa pracy narzędziami elektrycznymi



**OSTRZEŻENIE:** Należy zapoznać się z niniejszą ogólną instrukcją bezpieczeństwa oraz całą instrukcją obsługi. *Nie przestrzeganie niniejszych instrukcji może spowodować porażenie prądem, pożar i/lub poważne obrażenia.*

**Zachować niniejsze instrukcje na przyszłość.**

Określenie „elektronarzędzie” odnosi się zarówno do urządzeń zasilanych z sieci (przewodowych) jak i zasilanych bateriami (bezprowadowych).

## 1) Bezpieczeństwo w miejscu pracy

- Miejsce pracy musi być zawsze dobrze oświetlone i czyste. *Niedoświetlenie oraz nieład mogą być przyczyną wypadków.*
- Nie należy używać urządzenia w obecności palnych płynów, gazów i pyłów. *Podczas pracy urządzenia powstają iskry, które mogą zapalić pyły lub opary.*
- Dzieci i osoby postronne nie powinny znajdować się w miejscu pracy elektronarzędziami. *Brak skupienia może spowodować utratę kontroli nad urządzeniem.*

## 2) Bezpieczeństwo elektryczne

- Wtyczka urządzenia musi pasować do gniazda zasilającego. *Nie wolno modyfikować wtyczki w jakikolwiek sposób. Nie stosować żadnych adapterów w przypadku elektronarzędzi wymagających uziemienia. Nie modyfikowane wtyczki oraz gniazda zasilające redukują ryzyko porażenia prądem.*
- Unikać kontaktu z uziemionymi przedmiotami takimi jak, rury, grzejniki, piece i lodówki. *Ryzyko porażenia prądem wzrasta gdy ciało użytkownika zostanie uziemione.*
- Nie narażać urządzenia na kontakt z deszczem lub wilgocią. *Woda wnikać do urządzenia zwiększa ryzyko porażenia prądem.*
- Traktować przewód zasilający zgodnie z przeznaczeniem. *Nigdy nie stosować przewodu do przenoszenia, przeciągania lub odłączania urządzenia od zasilania.*

*Chronicznie przewód przed źródłem ciepła, olejami, przedmiotami o ostrych brzegach, ruchomymi częściami urządzeń. Uszkodzony lub splątany przewód zwiększa ryzyko porażenia prądem.*

- Podczas pracy na zewnątrz należy zawsze stosować odpowiedni przewód przedłużający przystosowany do pracy na zewnątrz. *Stosowanie przewodu przeznaczonego do pracy na zewnątrz zmniejsza ryzyko porażenia prądem.*
- Jeżeli nie ma możliwości uniknięcia pracy elektronarzędziem w wilgotnym środowisku, należy stosować zasilanie wyposażone w wyłącznik różnicowo-prądowy. *Stosowanie wyłącznika różnicowoprądowego redukuje ryzyko porażenia prądem.*

## 3) Bezpieczeństwo osobiste

- Zawsze należy pracować w należyłym skupieniu i kierować się rozsądkiem. *Nie używać urządzenia będąc zmęczonym lub pozostającym pod wpływem narkotyków, alkoholu lub będąc w trakcie leczenia. Chwila nieuwagi podczas pracy urządzeniem może być przyczyną poważnych uszkodzeń ciała.*
- Stosować wyposażenie ochronne. *Zawsze używać ochrony oczu. Wyposażenie takie jak maska pyłowa, buty na podszewie antypoślizgowej, kask, ochronniki słuchu, stosowane w odpowiednich warunkach, redukuje zagrożenie uszkodzenia ciała.*
- Unikać przypadkowego włączenia urządzenia. *Upewnić się, że wyłącznik znajduje się w położeniu „wyłączony” przed podłączeniem urządzenia do źródła zasilania lub baterii. Przenoszenie urządzenia trzymając za wyłącznik lub podłączając je do zasilania z wyłącznikiem w pozycji: „włączone” może być przyczyną wypadków.*
- Usunąć wszelkie klucze przed włączeniem urządzenia. *Pozostawienie klucza w rotującej części urządzenia może spowodować obrażenia ciała.*
- Nie przeceniać własnych możliwości. *Zawsze dbać o odpowiednie oparcie dla nóg oraz balans. Zapewni to lepszą kontrolę w nieoczekiwanych sytuacjach.*
- Stosować odpowiednie ubranie. *Nie nosić luźnych ubrań ani biżuterii. Nie zbliżać włosów, ubrania ani rękawic roboczych do ruchomych części urządzenia. Luźne ubranie, biżuteria lub długie włosy mogą utknąć w ruchomych częściach urzą-*

dzenia.

- g) Jeśli urządzenie jest wyposażone w adapter odprowadzania pyłów, należy sprawdzić czy jest odpowiednio podłączony i używany. Stosowanie systemu odprowadzania pyłów może obniżyć niebezpieczeństwa związane z pyleniem.
- 4) Używanie i konserwacja urządzenia
- a) Nie przeciążać urządzenia. Stosować odpowiednie urządzenie do każdej pracy. Należy używać dobre urządzenie wykona pracę lepiej i bezpieczniej w trybie do jakiego zostało zaprojektowane
- b) Nie używać urządzenia jeśli włącznik nie działa. Każde urządzenie z uszkodzonym włącznikiem jest niebezpieczne i musi zostać naprawione.
- c) Zawsze należy odłączyć urządzenie od zasilania lub odłączyć baterie przed zmianą ustawień, wymianą akcesoriów lub odłożeniem po pracy. Takie działania zmniejszą ryzyko przypadkowego włączenia urządzenia.
- d) Nieużywane urządzenie należy chronić przed dziećmi oraz nie zezwalać niepowołanym osobom nie znającym tego urządzenia lub niniejszej instrukcji na pracę tym urządzeniem. Elektronarzędzia są niebezpieczne w rękach nie przeszkolonych osób.
- e) Konserwować elektronarzędzia. Sprawdzając połączenia części ruchomych, ewentualne uszkodzenia oraz inne czynniki mogące mieć wpływ na działanie urządzenia. W przypadku stwierdzenia uszkodzenia należy naprawić urządzenie przed dalszym użytkowaniem. Wiele wypadków spowodowanych jest nienależytą konserwacją urządzenia.
- f) Narzędzia tnące zawsze muszą być ostre. Odpowiednio konserwowane narzędzia tnące z ostrymi krawędziami rzadziej się zacinają w obrabianym materiale i są łatwiejsze w obsłudze.
- g) Niniejsze urządzenie oraz osprzęt do niego muszą być używane zgodnie z niniejszą instrukcją obsługi oraz w zakresie przewidzianym dla danego typu urządzenia. Zawsze należy brać pod uwagę rodzaj pracy do wykonania oraz warunki panujące w miejscu pracy. Użycie elektronarzędzi do celów innych niż opisane w niniejszej instrukcji obsługi może spowodować niebezpieczne sytuacje.
- 5) Serwis
- a) Niniejsze urządzenie należy serwisować

wyłącznie w wykwalifikowanych serwisach z wykorzystaniem oryginalnych części zamiennych. Takie postępowanie zapewni należyte bezpieczeństwo elektronarzędzia.

## Dodatkowe wytyczne dotyczące bezpieczeństwa pracy piłą szablą



**OSTRZEŻENIE:** Przed podłączeniem elektronarzędzia do sieci zasilania upewnić się, że napięcie zasilania jest zgodne z napięciem wskazanym na tablicy znamionowej elektronarzędzia.

- Źródło napięcia zasilania o wartościach wyższych od znamionowych, może wyrządzić poważne urazy użytkownikowi oraz może uszkodzić narzędzie.
- W razie wątpliwości, nie włączać wtyczki elektronarzędzia do gniazda zasilania.
- Korzystanie ze źródła napięcia zasilania o wartościach niższych od zaznaczonych na tabliczce znamionowej elektronarzędzia uszkodzi silnik elektryczny.



**Używać środków ochrony słuchu.** Intensywny hałas podczas pracy może spowodować uszkodzenia słuchu.



**Podczas pracy stosować środki ochrony wzroku przed fruwającymi cząstkami.** Zakładać okulary ochronne.



**Stosować środki ochronne przeciwko wdychaniu pyłu.** Pewne materiały mogą zawierać składniki toksyczne. Zakładać ochronne maski przeciwpyłowe. Stosowanie urządzenia do odprowadzania pyłu, wskazane jest jego podłączenie do elektronarzędzia.



**Używać rękawic ochronnych.**

- Trzymać elektronarzędzie tylko za izolowane powierzchnie chwytające podczas wykonywania zabiegu, kiedy element tnący może dotknąć ukrytej izolacji lub własnego sznura elektrycznego. Dotknięcie powierzchni tnącej do przewodu pod ciśnieniem służy pod napięciem odsłoniętej części metalowe elektronarzędzia i użytkownik zostanie porażony prądem.



**OSTRZEŻENIE:** Zawsze wyłączać elektronarzędzia i wyjmować wtyczkę z gniazda zasilania przed wykonaniem jakichkolwiek zabiegów nastawienia, obsługi lub konserwacji.

- Po dłuższej pracy zewnętrzne części metalowe i osprzęt mogą być nagrzane. Nie dotykać narzędzia roboczego lub obrabianego detalu natychmiast po pracy - mogą one być bardzo gorące i spowodować oparzenie skóry.
- Chronić ręce przed wirującymi częściami.
- W razie możliwości stosować zaciski lub imadło do umocowania obrabianego detalu.
- Zawsze wyłączać piłę szablą i odczekać aż brzeszczot przestanie się obracać, przed odstawieniem elektronarzędzia na bok.
- Nie przeciążać elektronarzędzia, podczas pracy wywierać umiarkowany nacisk. Przeciążenie jest wynikiem nadmiernego nacisku, przy tym silnik elektryczny zwalnia swoje obroty, co skutkuje nieskuteczną pracą i ewentualnie uszkodzeniem silnika elektrycznego elektronarzędzia.
- W strefie pracy nigdy nie pozostawiać szmat, sznurów, paku i in.
- Przed stosowaniem elektronarzędzia do konkretnego detalu, włączyć je i pozostawić by pracowało przez krótki czas dla upewnienia się, że funkcjonuje prawidłowo. Podczas pracy elektronarzędzie powinno być oddalone przynajmniej na 200 mm od twarzy i ciała.
- Zawsze zachowywać stabilną pozycję ciała. Pracując elektronarzędziem na wysokości upewnij się, że nikogo nie ma pod tobą.
- Trzymać mocno elektronarzędzie.
- Elektronarzędzia używać wyłącznie zgodnie z jego przeznaczeniem. Każde inne zastosowanie odmienne od wskazanego w niniejszej instrukcji uważane jest za niewłaściwe. Odpowiedzialność za wszelkie uszkodzenia lub zranienia wynikające z niewłaściwego zastosowania spoczywa na użytkownika, a nie na producenta.
- Prawidłowa eksploatacja niniejszego elektronarzędzia wymaga przestrzegania przepisów bezpieczeństwa, ogólnych instrukcji i wskazówek pracy wskazanych tu. Wszyscy użytkownicy powinni zapoznać się z niniejszą instrukcją obsługi i być poinformowani o potencjalnych ryzykach przy pracy elektronarzędziem. Dzieci i fizycznie słabi ludzie nie powinni używać tegoż narzędzia. Dzieci przebywające w pobliżu miejsca pracy elektro-

narzędzia należy obserwować bez przerwy. Obowiązkowo należy podjąć prewencyjne środki bezpieczeństwa. To samo dotyczy także przestrzegania podstawowych przepisów higiena i bezpieczeństwa pracy.

- Producent nie ponosi odpowiedzialności za dokonane przez użytkownika zmiany w elektronarzędziu lub za uszkodzenia spowodowane tego rodzaju zmianami.
- Elektronarzędzia nie używać na wolnym powietrzu w pogodzie deszczowej, w środowisku wilgotnym (po deszczu) lub blisko łatwopalnych płynów i gazów. Miejsce pracy powinno być dobrze oświetlone.

## Zapoznanie z elektronarzędziem

Przed rozpoczęciem pracy elektronarzędziem należy zapoznać się wszystkimi szczegółami operacyjnymi i warunkami bezpieczeństwa. Używać elektronarzędzia i osprzętu wyłącznie zgodnie z ich przeznaczeniem. Każde inne zastosowanie jest stanowczo zakazane.

1. Opora
2. Płaszcz gumowy
3. Otwory wentylacyjne
4. Rękojeść tylna
5. Przycisk blokujący
6. Wyłącznik
7. Ochraniacz kabla
8. Sześciogranny klucz
9. Trzymacz
10. Wkręt
11. Listwa
12. Tłok
13. Brzeszczot
14. Trzpień centrujący
15. Otwór łącznikowy
16. Rowek profilowany
17. Trzpień ograniczający
18. Wkręt mocujący
19. Oś
20. Zacisk (skobel)
21. Regulator elektroniczny prędkości obrotowej (TSB 1300CE)

## Wytyczne pracy

Niniejsze elektronarzędzie zasilane jest tylko jednofazowym napięciem zmiennym. Nadaje się do podłączenia do gniazd bez zacisków ochronnych, ponieważ posiada podwójną izolację zgodnie z EN 60745-1 i IEC 60745. Zakłócenia



radiowe odpowiadają wymogom Dyrektywy dotyczącej kompatybilności elektromagnetycznej. Niniejsze elektronarzędzie przeznaczone jest do cięcia rur i kształtowników z metalu i tworzywa sztucznego, drewna i lekkich materiałów budowlanych (kostki z gazobetonu), za pośrednictwem odpowiednich brzeszczotów.

## **PRZED PRZYSTĄPIENIEM DO PRACY**

- Sprawdzić, czy napięcie sieci elektrycznej odpowiada wartości napięcia podanej na tabliczce znamionowej elektronarzędzia.
- Sprawdzić w jakim położeniu jest przełącznik. Elektronarzędzie należy podłączać i wyłączać z sieci zasilania tylko przy wyłączonym wyłączniku. W razie włączenia wtyczki do gniazda, gdy wyłącznik jest w stanie włączonym, wówczas elektronarzędzie natychmiast zostaje uruchomione, co może doprowadzić do wypadku.
- Upewnić się co do sprawności kabla zasilania i wtyczki. W razie uszkodzenia kabla zasilania, wymiany należy dokonać producent lub jego specjalista, aby uniknąć ewentualnych niebezpieczeństw podczas wymiany.



**OSTRZEŻENIE:** Zawsze wyłączać elektronarzędzie i wyjmować wtyczkę z gniazda zasilania przed dokonaniem jakiegokolwiek czynności w zakresie nastawienia, obsługi lub konserwacji.

## **DOBÓR BRZESZCZOTU**

Brzeszczot dobiera się w zależności od rodzaju obrabianego materiału - do cięcia metalu, drewna; brzeszczot uniwersalny i in.

Każdy z powyższych typów brzeszczotów jest oferowany w różnych długościach części tnącej.

Przy wyborze właściwego brzeszczotu należy uwzględnić obrabiany materiał (metal, drewno i in.) i potrzebną długość. Długość brzeszczotu wybrać tak by on koniecznie wystawał poza obrabianym materiałem przynajmniej o 35 mm. Przestrzegając tę zasadę można zmniejszyć do minimum prawdopodobieństwo skaleczenia się podczas pracy (rys.1).

W celu osiągnięcia maksymalnej wydajności i dokładności cięcia, zachowania przez dłuższy czas ostrości i żywotności narzędzia, zawsze należy używać brzeszczot o długości i przeznaczeniu odpowiadających konkretnej operacji.



**OSTRZEŻENIE:** W procesie cięcia brzeszczot nagrzewa się do wysokiej temperatury. Nie dotykać brzeszczotu zaraz po zakończeniu pracy, ponieważ można doznać oparzeń. Zaleca się odstawić piłę na pewien czas, aż brzeszczot wystygnie, jak również stosowanie rękawic do wymiany brzeszczotu.

## **ZAKŁADANIE I WYMIANA BRZESZCZOTU**

1. Upewnić się, że wtyczkę kabla zasilającego wyjęto z gniazda sieci zasilania.
  2. Wyjąć sześciogranny klucz (8) z jego trzymacza (pochwy) (9).
  3. Ustawić elektronarzędzie na sztywnej równej powierzchni zgodnie z rys. 2. Przy zakładaniu i wymianie brzeszczotu (13) nie wolno ustawiać elektronarzędzia na ochraniacza kabla (7) - może spowodować uszkodzenie kabla zasilania i ryzyko porażenia prądem elektrycznym.
  4. Odkręcić wkręt (10), aż jego łeb oprze się o ścianę pokrywy.
  5. Uważnie wyjąć stary brzeszczot (13).
  6. Założyć nowy brzeszczot (13) tak by sworznię centrującą (14) wszedł w otwór do centrowania w końcówce brzeszczotu.
  7. Dokręcić uważnie wkręt mocujący (10), aż listwa (11) dotknie brzeszczotu (13).
  8. Upewnić się, że brzeszczot (13) wszedł prawidłowo w swym rowku w listwie (11).
  9. Dokręcić do oporu i maksymalnie mocno wkręt (10).
  10. Ustawić sześciogranny klucz (8) w jego trzymaczu (9).
- Uważnie i dokładnie wykonanie wyżej opisanych czynności gwarantuje stabilne i niezawodne ustalenie brzeszczotu do elektronarzędzia. Ustalenie sztywne brzeszczotu realizowane jest siłami działającymi między nim, łukiem i listwą, jak również dokładnie wykonanym rowkiem w listwie kopiującym końcówkę brzeszczotu. Sworznię centrującą służy do wstępnej orientacji brzeszczotu przy montażu i nie jest przeznaczony do przejścia obciążeń siłowych w procesie cięcia.
- W przypadku niewłaściwego montażu, sworznię centrującą przejmuje obciążenia siłowe i może ulec zniekształceniu lub cięciu, następnie elektronarzędzie należy skierować do serwisu dla wymiany sworzni centrującego.



**Nie jest dopuszczalna praca elektronarzędziem z zniekształconym lub brakującym sworzniem.**

Jeśli wkręt mocujący nie może dokręcić dostatecznie mocno mechanizmu podłączenia brzeszczotu z powodu zużycia gniazda sześciogrannego we wręcie, zużycia jego gwintu lub zużycia klucza sześciogrannego, doprowadzi to do zdeformowania sworzni centrującego lub jego ścięcia. Z uwagi na to zużyty wkręt mocujący lub klucz sześciogranny należy w terminie wymieniać na nowe.

## ROZRUCH - ZATRZYMANIE



**OSTRZEŻENIE:** Przed podłączeniem elektronarzędzia do sieci zasilania upewnić się, że napięcie zasilania jest zgodne z napięciem wskazanym na tablicy znamionowej elektronarzędzia.

- Rozruch: Trzymać piłę mocno i stabilnie rękami. Upewnić się, że brzeszczot nie jest w kontakcie z innymi obiektami. Popchnąć do przodu przycisk blokujący (5), następnie wcisnąć wyłącznik (6).

Elektronarzędzie wyposażono w elektronikę do płynnego rozruchu - początkowo elektronarzędzie rusza na niższych obrotach i po 3-4 sekundach dochodzi do obrotów roboczych.

- Zatrzymanie: Dla zatrzymania pracy elektronarzędzia należy zwolnić wyłącznik (6).

## REGULACJA CZĘSTOTLIWOŚCI SKOKÓW

Pozycja regulatora	Liczba skoków na biegu jałowym	Metal	Drewno	Tworzywo sztuczne	Ceramika, gazobeton
G	2200	+	+	-	-
F	2050	+	+	-	-
E	1750	+	-	-	-
D	1500	+	-	-	+
C	1200	+	-	+	+
B	950	+	-	+	+
A	700	+	-	+	+

Wartość optymalna prędkości dla różnych materiałów w zależności od licznych czynników (obrabiany materiał, rodzaj używanego brzeszczotu do cięcia, dostępność do strefy cięcia i In.)

Najczęściej prędkość optymalna danego zastosowania osiąga się doświadczalnie w procesie pracy.

Korzystać z informacji na tablicy przy pierwotnym doborze prędkości. Obracać pokrętkiem regulatora elektronicznego prędkości tak by wybrana przez użytkownika pozycja (litera) ustawiła się naprzeciw markera (▼).

## CIĘCIE

Zawsze trzymać elektronarzędzie zgodnie z rys..3 - aby uniknąć możliwości porażenia prądem elektrycznym. Jeśli w trakcie pracy piła dotknie przewodu pod napięciem, wówczas reduktor elektronarzędzia, opora przednia i brzeszczot zaczynają przepuszczać prąd elektryczny. Trzymać elektronarzędzie za rękojeść tylną (4) i płaszcz gumowy (2), by sprowadzić do minimum prawdopodobieństwo porażenia prądem elektrycznym.

### Cięcie zaciskiem do cięcia prostopadłego

Założyć zacisk (skobel) (20) do cięcia prostopadłego na elektronarzędzie tak by oś (19) zacisku weszła w otwór łącznikowy (15) elektronarzędzia, a trzpień ograniczający (17) wszedł do rowka profilowanego (16).

Dbać o to by przyrzątem zacisku (20) do cięcia prostopadłego był czysty bez wiórów i innych zanieczyszczeń, ponieważ może doprowadzić do niewłaściwego pozycjonowania obrabianego detalu i uniemożliwi uzyskanie prostopadłości przecięcia.

Ustawić elektronarzędzie wraz z zaciskiem (20) do cięcia prostopadłego na rusze tak by wkręt mocujący znajdował się pod kątem prostym wobec rury.

Dokręcić mocno wkręt mocujący, nie zniekształcając jednak rury.

W zależności od ręki używanej do pracy, uchwycić jedną ręką rękojeść wkrętu mocującego (18), a drugą ręką uchwycić rękojeść (4) elektronarzędzia i włączyć elektronarzędzie.

Trzymając rękojeść elektronarzędzia (4) i wyłącznik w stanie włączonym, wyciągać koniec tylny elektronarzędzia, tak by zaczął cięcie. Pociągać koniec tylny elektronarzędzia do ostatecznego przecięcia obrabianego detalu.

W celu uzyskania lepszych wyników, szczególnie przy cięciu rur o średnicy większej niż 2", zaleca się włączać elektronarzędzie, gdy zęby brzeszczotu opierały się o obrabiany detal.

W celu uzyskania optymalnej wydajności, właściwej prędkości i zminimalizowania zużycia brzeszczotu, należy regulować nacisk na obrabiany detal poprzez bardziej wolne lub bardziej szybkie wyciąganie końca tylnego elektronarzędzia.

Nadmiernie mocny nacisk nie powoduje wzrostu prędkości cięcia.

#### **Cięcie swobodne**

Zaleca się zawsze gdy jest to możliwe unieruchamiać mocno obrabiany materiał w imadle lub w innym mocującym osprzęcie.

W celu uzyskania prostych i czystych ścięć w metalu i przy cięciu po linii krzywej (ściananie drewna, tworzywa sztucznego, gazobetonu i ln.) należy przez cały czas cięcia materiału mocno przyciskać oporę (1) do obrabianego materiału. Stosować tylko ostre brzeszczoty w doskonałym stanie i przeznaczone do odpowiedniego materiału, i o odpowiedniej długości.

W procesie cięcia postarać się wywierać równomierny nacisk. Jest on przesłanką do szybkiego, dokładnego i łatwego przecięcia. Zbyt duży nacisk nie powiększa prędkości cięcia, a powoduje przeciążenie elektronarzędzia i skraca żywotność brzeszczotu.

Podczas cięcia trzymać elektronarzędzie mocno i przyciskać mocno oporę (1) do obrabianego materiału.

Podczas pracy kabel zasilania elektronarzędzia zawsze musi się znajdować za elektronarzędziem i nie przebywać w strefie cięcia.

#### **Wycięcie otworów (Rys. 4)**

Przy cięciu miękkiego drewna i lekkich materiałów budowlanych najpierw można wprowadzić ostrze w materiał, następnie ukształtować otwór w obrabianym materiale. W tym celu przy wyłączonej piły ustawić dolny koniec elektronarzędzia na oporę (1), a wierzchołek brzeszczotu (13) ustawić na początek cięcia. Dopiero teraz włączyć elektronarzędzie i powoli i ostrożnie zacząć podnosić tylny koniec piły, starając się by opora (1) pozostawiała w stały kontakt z obra-

bianym materiałem. Obrócić piłę aż brzeszczot (13) wszedł w całości w obrabiany materiał, następnie kontynuować cięcie w żądanym kierunku.

Przy pracy z twardszymi materiałami, nie jest zalecana technika wcinania się w materiał, ponieważ można się skaleczyć.

Do rozpoczęcia wycinania otworu w „twardym” materiale, uprzednio wywiercić otwór zgodnie z rozmiarami używanego brzeszczotu i z tego otworu rozpocząć cięcie.

Istotne znaczenie ma mocne przyciskanie opory do materiału przez cały czas cięcia. W ten sposób uzyskuje się równomierny proces cięcia o mniejszych drganiach.

#### **Stosowanie smarów**

Przy cięciu detali stalowych (rury, profile i ln.) należy stosować smarowo chłodzące płyny o niskiej lepkości, które ułatwiają usuwanie wiórów i obniżają temperatury w strefie cięcia.

Stosowanie smarów chłodzących płynów wydłuża żywotność brzeszczotu.

Nie stosować smarów chłodzących płynów o wysokiej lepkości (gęste oleje i smary), ponieważ utrudniają usuwanie wiórów i ciepła z obszaru cięcia i skracają żywotność brzeszczotu.

#### **Intensywność stosowania**

Elektronarzędzie poruszane jest przez silnik elektryczny zapewniający wystarczającą moc do cięcia rury 6" (Ø170). Wydzielana w procesie pracy energia w tej operacji, jak również przy cięciu szczelnych detali metalowych i drewna o wymiarze ponad Ø120 mm, powoduje znaczny wzrost temperatury reduktora elektronarzędzia. Niezależnie od stosowania specjalnego smaru wysokotemperaturowego w reduktorze elektronarzędzia, przekraczanie temperatury powyżej wartości krytycznej powoduje wyparowanie oleju ze smaru i pojawienie się Dy ułatwiający się z reduktora elektronarzędzia. Jest to wyraźna oznaka termicznego przeciążenia elektronarzędzia. W razie pojawienia się tej oznaki konieczne należy zwrócić się do najbliższego serwisu SPARKY dla rozpoznania stanu Waszego elektronarzędzia.

W celu uniknąć przeciążenia termicznego elektronarzędzia zalecamy po każdej dłuższej operacji wyłączać elektronarzędzie do osiągnięcia temperatury pokojowej. Właściwym kryterium określenia początku przeciążenia termicznego elektronarzędzia jest odczuwanie wysokiej temperatury reduktora nawet posługując się rękawicami.

## PRZYRZĄDY WSPÓŁPRACUJĄCE Z TYM ELEKTRONARZĘDZIEM

---

Zacisk (skobel) (od 2" do 6");  
Klucz sześciogranny (S4);  
Brzeszczoty.

## Konserwacja

---



**OSTRZEŻENIE:** Zawsze wyłączać elektronarzędzie i wyjmować wtyczkę z gniazda sieci przed dokonywaniem jakichkolwiek zabiegów kontrolnych lub konserwacyjnych.

### WYMIANA SZCZOTEK

---

Elektronarzędzie wyposażone jest w samowylączające się szczotki. W przypadku zużycia szczotek, obie szczotki należy wymienić jednocześnie na oryginalne szczotki w serwisie naprawczym SPARKY w ramach konserwacji gwarancyjnej i pozagwarancyjnej.

### OGÓLNE SPRAWDZENIE

---

Sprawdzać regularnie wszystkie elementy mocujące upewniając się, że zostały mocno dociągnięte. W przypadku obluźnienia jakiegokolwiek wkrętu, należy go niezwłocznie dokręcić dla uniknięcia powstania sytuacji ryzykownych. W razie uszkodzenia kabla zasilania, wymianę należy wykonać producent lub jego autoryzowany specjalista w celu uniknięcia ewentualnych komplikacji w wyniku wymiany.

### CZYSZCZENIE

---

Dla bezpiecznej pracy należy zawsze utrzymywać w czystości elektronarzędzie i otwory wentylacyjne (3).

Sprawdzać regularnie, czy w kracie wentylacyjnej blisko silnika elektrycznego lub w okolicy przełączników nie przedostał się pył lub obce wtrącenia. Używać miękkiego pędzla ła usuwania nagromadzonego pyłu. W celu ochrony oczu podczas czyszczenia zakładać okulary ochronne.

Gdy należy czyścić korpus elektronarzędzia, wytrzeć go należy miękką ściereką nawilżoną. Można stosować także łagodny środek do mycia.



**OSTRZEŻENIE:** Nie wolno stosować spirytusu, benzyny lub innych rozpuszczalników. Nigdy nie stosować środków żrących do czyszczenia części plastikowych.



**OSTRZEŻENIE:** Nie wolno dopuścić do przedostania się wody do elektronarzędzia.

**UWAGA!** W celu zapewnienia bezpiecznej pracy elektronarzędziem i jego niezawodności, wszelkie czynności naprawcze, konserwacyjne i regulacyjne (w tym kontrola i wymiana szczotek) należy wykonywać w autoryzowanych serwisach naprawczych SPARKY używając wyłącznie oryginalnych części zamiennych.

## Gwarancja

---

Okres gwarancji elektronarzędzi SPARKY jest określony w karcie gwarancyjnej produktu.

Usterki spowodowane normalnym zużyciem, przeciążeniem lub niewłaściwą obsługą, nie podlegają gwarancji.

Uszkodzenia wynikłe z wady materiałowej lub błędów produkcyjnych zostaną usunięte bezpłatnie w drodze naprawy lub wymiany urządzenia.

Reklamacje uszkodzonych urządzeń SPARKY zostaną rozpatrzone jeśli zostaną dostarczone w stanie w jakim stwierdzono wadę, nie rozmontowane, wraz z dokumentem zakupu i kartą gwarancyjną do autoryzowanego serwisu lub punktu sprzedaży.

## Informacja

---

Przed użyciem należy dokładnie przeczytać niniejszą instrukcję.

Narzędzia SPARKY są stale ulepszane w związku z tym otrzymany produkt może nieznacznie różnić się od tego ukazanego w niniejszej instrukcji. Producent zapewnia sobie prawo do wprowadzania zmian bez uprzedzenia.

Specyfikacja może się różnić w zależności od kraju.

# Содержание

Введение .....	76
Технические данные .....	78
Общие указания по безопасности при работе с электроинструментами .....	79
Дополнительные правила техники безопасности при работе сабельной пилой .....	81
Ознакомление электроинструментом.....	A/82
Указания к работе.....	B/82
Обслуживание .....	85
Гарантия.....	86

## РАСПАКОВКА

В соответствии с общепринятыми технологиями производства вероятность обнаружения неисправности новоприобретенного Вами электроинструмента или нехватки какой-нибудь из его частей весьма мала. Если все-таки Вы обнаружите любое несоответствие, просим не начинать использование электроинструмента перед заменой неисправной части или устранения дефекта. Невыполнение этой рекомендации может быть причиной серьезных несчастных случаев.

## СГЛОБКА

Сабельная пила поставляется в упакованном и полностью собранном виде, за исключением ножа. Нож подбирается в зависимости от приложения (резка металла, дерева, древесной плиты, пластмассы и др.), после чего монтируется в машину.

## Введение

Новоприобретенный Вами электроинструмент SPARKY превзойдет Ваши ожидания. Его производство подчиняется высоким стандартам качества SPARKY, отвечающим строгим требованиям потребителя. Удобный для обслуживания и безопасный в эксплуатации, этот электроинструмент при правильном употреблении будет служить безотказно долгие годы.

## ПРЕДОСТЕРЕЖЕНИЕ!



Прочтите внимательно и целиком инструкцию по эксплуатации перед использованием новоприобретенного электроинструмента SPARKY. Обратите специальное внимание на параграфы, обозначенным словом “Предостережение”. У Вашего электроинструмента SPARKY много качеств, которые облегчают работу. При разработке этого инструмента основное внимание было направлено на безопасность, эксплуатационные качества и надежность, которые облегчают его обслуживание и эксплуатацию.



### **Не выбрасывать электроинструменты вместе с бытовыми отбросами!**

Отбросы электрических изделий нельзя собирать вместе с бытовыми отбросами. Они должны быть рециклированы на местах, предназначенных специально для этих целей. Просим обратиться к местным властям или к нашему представителю для получения информации насчет рециклирования.

## ЗАЩИТА ОКРУЖАЮЩЕЙ СРЕДЫ



Для предохранения окружающей среды электроинструменты, принадлежности и упаковки должны быть переработаны подходящим образом для повторно использования содержащихся в них материалов. Для облегчения процесса рециклирования детали, сделанные из искусственных материалов, обозначены соответствующим способом.

## ОПИСАНИЕ СИМВОЛОВ

На табличке с данными электроинструмента нанесены специальные символы, содержащие важную информацию о продукте или инструкции по использованию.



Двойная изоляция для дополнительной защиты.



Соответствует релевантным европейским директивам.



Соответствует требованиям правил Таможенного союза.



Соответствует требованиям украинским нормативным документам.




Ознакомьтесь с инструкцией по эксплуатации.

YYYY-Www    Период производства, где переменные символы означают:  
YYYY - год производства,  
ww – очередная календарная неделя.

TSB            Сабельная пила.

# Технические данные

Модель	TSB 1300C	TSB 1300CE
▪ Потребляемая мощность	1300 W	1300 W
▪ Холостой ход	2200 min <sup>-1</sup>	700-2200 min <sup>-1</sup>
▪ Ход ножа	30 mm	30 mm
▪ Размер подсоединения хвостика ножа	12,7; 20 mm	12,7; 20 mm
▪ Максимальный размер при свободной резке**	Ø6" (170 mm)	Ø6" (170 mm)
▪ Максимальный размер при резке со скобкой**	Ø6" (170 mm)	Ø6" (170 mm)
▪ Габаритная длина	585 mm	605 mm
▪ Вес (ЕРТА процедура 01/2014)	3,5 kg	3,6 kg
▪ Класс безопасности (EN 60745-1) 	II	II

## ИНФОРМАЦИЯ О ШУМЕ И ВИБРАЦИЯХ

Замеры согласно EN 60745.

### ▪ Уровень шума

A- замеренный уровень звуковой нагрузки L <sub>рА</sub>	87 dB(A)	87 dB(A)
Неопределенность K <sub>рА</sub>	3 dB	3 dB
A- замеренный уровень звуковой мощности L <sub>wA</sub>	98 dB(A)	98 dB(A)
Неопределенность K <sub>wA</sub>	3 dB	3 dB

### Используйте средства защиты от шума!

#### ▪ Уровень вибраций \*

Общий показатель вибраций (векторная сумма по трем осям), замеренная согласно EN 60745:

#### Резка в дереве

Показатель замеренных вибраций a <sub>н,СW</sub>	25 m/s <sup>2</sup>	25 m/s <sup>2</sup>
Неопределенность K <sub>н,СW</sub>	1,5 m/s <sup>2</sup>	1,5 m/s <sup>2</sup>

#### Резка металлических труб с помощью скобы для перпендикулярной резки

Показатель замеренных вибраций a <sub>н,СМ</sub>	12,3 m/s <sup>2</sup>	12,3 m/s <sup>2</sup>
Неопределенность K <sub>н,СМ</sub>	1,7 m/s <sup>2</sup>	1,7 m/s <sup>2</sup>

\* Уровень вибраций замерен согласно п. 6.2.7 EN 60745

\*\* Прочтите текст в пункте «Интенсивность использования».

Указанный в настоящую инструкцию уровень вибраций измерен в соответствии с установленную EN 60745 методику испытаний и может использоваться для сравнения электроинструментов. Уровень вибраций может использоваться для предварительной оценки воздействия.

Указанный уровень вибраций дан при условии использования инструмента по его прямому назначению. В тех случаях, когда электроинструмент используется для других целей, с другими принадлежностями, уровень вибраций может отличаться от указанного. В этих случаях уровень воздействия может значительно возрасти в рамках общего периода работы.

Для точной оценки воздействия вибраций во время определенного периода работы необходимо учитывать промежутки времени, в которые электроинструмент выключен, либо хотя и включен, но фактически не используется. Это может существенно сократить воздействия вибраций в течение всего периода работы.

Сохраняйте электроинструмент и его принадлежности в хорошем состоянии. Во время работы старайтесь сохранять руки теплыми - это поможет уменьшить вредное воздействие при работе с повышенной вибрацией.

Пыль материалов, как с краски с содержанием свинца, некоторых сортов древесины, минералов и металла может быть вредной для здоровья. Прикосновение к пыли и попадание пыли в дыхательные пути может вызвать аллергические реакции и/или заболевания дыхательных путей оператора или находящегося вблизи персонала.

Определенные виды пыли, как из дуба и бука, считаются канцерогенными, особенно, совместно с присадками для обработки древесины (хромат, средство для защиты древесины). Материал с содержанием асбеста разрешается обрабатывать только специалистам.

- По возможности применяйте отсос пыли.
- Следите за хорошей вентиляцией.
- Рекомендуется пользоваться дыхательной защитной маской с фильтром класса P2.

Соблюдайте действующие в Вашей стране предписания для обрабатываемых материалов.



# Общие указания по безопасности при работе с электроинструментами



**ПРЕДОСТЕРЕЖЕНИЕ!** Прочитайте все предупреждения и указания по безопасности. Несоблюдение предупреждений и указаний по безопасности может привести к поражению электрическим током, от пожара и/или серьезные ранения.

Сохраните все предупреждения и указания для дальнейшего использования.

Термин “электроинструмент” во всех указанных ниже предупреждениях касается вашего электроинструмента, с питанием от сети (с кабелем) и/или электроинструмент с питанием от аккумуляторной батареи (без кабеля).

## 1) Безопасность рабочего места

- a) Содержите рабочее место в чистоте и хорошо освещенным. Беспорядок и недостаточное освещение являются предпосылками трудовых инцидентов.
- b) Не работайте с электроинструментами во взрывоопасной атмосфере при наличии воспламеняющихся жидкостей, газов или пыли. Электроинструменты создают искры, которые могут воспаленить пыль или пары.
- c) Держите детей и посторонних лиц на расстоянии, когда работаете с электроинструментом. Рассеивание может привести к потере контроля с Вашей стороны.

## 2) Электрическая безопасность

- a) Штепселя электроинструментов должны соответствовать контактным гнездам. Никогда не меняйте штепсель каким-либо способом. Не используйте какие-либо адаптерные штепселя для электроинструментов с защитным заземлением. Использование оригинальных штепселей и соответствующим им контактов уменьшает риск от удара электрическим током.

- b) Избегайте соприкосновения тела с землей или с заземленными поверхностями, такими как трубы, радиаторы, кухонные плиты и холодильники. Если ваше тело заземлено, существует повышенный риск поражения электрическим током.
- c) Не оставляйте электроинструменты под дождем или во влажной среде. Проникновение воды в электроинструменты повышает риск от поражения электрическим током.
- d) Используйте кабель по предназначению. Никогда не используйте кабель для переноса электроинструмента, натягивания или отключения штепселя из контактного гнезда. Держите кабель далеко от тепла, масла, острых углов или движущихся частей. Поврежденные или запутанные кабели повышают риск от поражений электрическим током.
- e) Во время наружной работы с электроинструментом используйте удлинитель, подходящий для этих целей. Использование удлинителя, предназначенного для внешних /наружных/ работ, уменьшает опасность от поражения электрическим током.
- f) В случае, если работа с электроинструментом во влажной среде неизбежна, используйте предохранительное устройство, которое задействовано от остаточного тока для прерывания подачи тока. Использование предохранительного устройства уменьшает риск от поражения электрическим током.

## 3) Личная безопасность

- a) Будьте бдительны, работайте с повышенным вниманием и проявляйте благоразумие, когда работаете с электроинструментом. Не используйте электроинструмент, когда вы устали или находитесь под влиянием наркотиков, алкоголя или медикаментов. Момент невнимания при работе с электроинструментом может привести к серьезной производственной травме.
- b) Используйте индивидуальные средства защиты. Носите всегда защитные очки. Индивидуальные средства защиты, такие как маска против пыли, нескользкая обувь, защитный шлем или средства для защиты слуха, использу-

емые в конкретных условиях, снижают риск от производственных травм.

- c) Избегайте невольного пуска инструмента. Убедитесь, что выключатель находится в положение „выключено” перед включением к источнику питания и/или аккумуляторной батарее перед тем, как его возьмете в руки или переносите. Ношение электроинструмента с пальцем на выключателе или подключение к источнику питания электроинструмента с выключателем во включенном положении является предпосылкой для производственной травмы.
- d) Удалите каждый ключ для затягивания или гаечный ключ перед включением электроинструмента. Ключ для затягивания или гаечный ключ, прикрепленный к вращающейся части электроинструмента, может привести к трудовому инциденту.
- e) Не теряйтесь. Поддерживайте правильное положение и равновесие в течение всей работы. Это позволит лучше управлять электроинструментом при неожиданных ситуациях.
- f) Носите подходящую рабочую одежду. Не носите широкую одежду или украшения. Держите свои волосы, одежду и перчатки далеко от движущихся частей. Широкая одежда, бижутерия или длинные волосы могут попасть в движущиеся части.
- g) Если электроинструмент снабжен приспособлением для пыли, убедитесь, что они правильно установлены и правильно используются. Использование этих устройств может понизить связанные с пылью опасности.

#### 4) Эксплуатация и уход за электроинструментами

- a) Не перегружайте электроинструмент. Используйте правильно выбранный электроинструмент согласно его назначению. Правильно подобранный электроинструмент работает лучше и безопасней для объявленного режима работы, для которого он спроектирован.
- b) Не используйте электроинструмент в случае, если выключатель не переключается во включенное и исключенное положение. Каждый электроинструмент, который не может

управляться с помощью его выключателя, опасен и подлежит ремонту.

- c) Отключите штепсель от электросети перед тем, как начать любые настройки, перед заменой принадлежностей или перед тем, как убрать электроинструмент для хранения. Эти меры предосторожности снижают риск невольного пуска электроинструмента.
  - d) Сохраняйте неиспользованные электроинструменты в местах, недоступных для детей и не позволяйте обслуживающему персоналу, который не знаком с электроинструментом или инструкциями по эксплуатации, работать с ним. Электроинструменты являются опасными в руках необученных потребителей.
  - e) Проверяйте электроинструменты. Проверяйте, работают ли нормально и движутся ли свободно движущиеся части, находятся ли в целостности и исправности части, а также проверяйте все прочие обстоятельства, которые могут неблагоприятно повлиять на работу электроинструмента. Если он поврежден, электроинструмент необходимо отремонтировать перед его дальнейшим использованием. Много инцидентов причиняются от плохо обслуживаемых электроинструментов.
  - f) Поддерживайте режущие инструменты острыми и чистыми. Правильно поддерживаемые режущие инструменты с острыми режущими углами реже блокируются и проще управляются.
  - g) Используйте электроинструмент, принадлежностями и части инструмента и т.д. в соответствии с этими инструкциями и способом, предусмотренным для конкретного типа электроинструмента, имея в виду рабочие условия и работу, которую необходимо выполнять. Использование электроинструмента для работы не по назначению может привести к опасной ситуации.
- #### 5) Обслуживание
- a) Ремонтируйте ваш электроинструмент у квалифицированного специалиста по ремонту, при этом используйте только оригинальные запасные части. Это обеспечивает сохранение безопасности электроинструмента.

# Дополнительные правила техники безопасности при работе сабельной пилы



**ПРЕДОСТЕРЕЖЕНИЕ:** Перед тем, как подключить электроинструмент в сеть питания, убедитесь в том, что напряжение сети соответствует техническим данным электроинструмента.

- Источник питания с более высоким, чем указанное на электроинструменте, напряжением, может привести к серьезным последствиям как для оператора (удар электрического тока), так и повредить электроинструмент.
- Если у Вас возникли сомнения, не вставляйте штепсель электроинструмента в розетку.
- Использование источника электропитания с более низким напряжением, чем указанное на табличке электроинструмента, приведет к повреждению электродвигателя.



**Пользуйтесь средствами защиты слуха при работе.** Воздействие шума может привести к потере слуха.



**Во время работы используйте средства защиты зрения, чтобы предохраниться от выделяющихся частиц. Пользуйтесь защитными очками.**



**Берите предохранительные меры против вдоха пыли.** Некоторые материалы могут содержать токсические составки. Пользуйтесь пылезащитной маской и устройством пылеотвода.



**Используйте защитные перчатки.**

- В случае потенциальной возможности касания режущей принадлежности до скрытой электропроводки или до собственного питающего шнура, держите электроинструмент только за изолированные поверхности рукояток. Контакт принадлежности с токоведущим проводом ставит под напряжение также открытые металлические части элек-

троинструмента и может привести к поражению оператора электрическим током.



**ПРЕДОСТЕРЕЖЕНИЕ:** Всегда выключайте электроинструмент и вынимайте штепсель из розетки перед тем, как провести любую настройку и обслуживание.

- После длительной работы внешние металлические части и принадлежности могут перегреться. Не прикасайтесь к инструменту или обрабатываемой детали сразу же после работы во избежание ожогов.
- Берегите руки от движущихся частей инструмента.
- При возможности, всегда используйте скобы или тиски для закрепления обрабатываемой детали.
- Выключив сабельную пилу, подождите до полной остановки ножа, оставив инструмент в стороне.
- Не перегружайте машину: работайте с умеренной нагрузкой. Перегрузки возникают в результате слишком большого нажима, при котором электродвигатель замедляет вращение, а это является предпосылкой неэффективной работы и поломки электродвигателя.
- В рабочей зоне никогда не следует оставлять ткань, шнур, кабель и пр.
- Перед тем, как использовать электроинструмент, включите его и оставьте немного поработать, чтобы убедиться в его нормальном функционировании. Во время работы, электроинструмент должен находиться на расстоянии минимум 200 мм от лица и тела.
- Всегда во время работы занимайте стабильное положение. При выполнении высотных работ, убедитесь, что под вами никого нет.
- Держите электроинструмент крепко.
- Электроинструмент следует использовать только по назначению. Любое другое употребление, различное от описанного в настоящей инструкции, считается неправильным. Ответственность в случае повреждения или ранений, вызванных неправильным использованием инструмента, несет потребитель, а не производитель.
- Для правильной эксплуатации электроинструмента следует соблюдать правила безопасности, общие инструкции и указа-

ния по работе, указанные ниже. Все потребители должны ознакомиться с настоящей инструкцией по эксплуатации, получив информацию о рисках при работе электроинструмента. Детям и физически ослабленным людям не следует пользоваться этим электроинструментом. Следует держать детей под постоянным наблюдением в случае, если они находятся поблизости от места работы электроинструмента. В обязательном порядке следует предпринимать и превентивные меры безопасности. Также самое касается соблюдения правил профессиональной безопасности и здоровья.

- Производитель не несет ответственность в случае внесенных потребителем изменений в электроинструмент, или же повреждений, вызванных подобными действиями.
- Электроинструмент не следует использовать под открытым небом в дождливую погоду, во влажной среде (после дождя), или вблизи от воспламеняемых жидкостей и газов. Рабочее место должно быть хорошо освещено.

## Ознакомление электроинструментом

Перед началом работы электродрелью ознакомьтесь со всеми оперативными особенностями и условиями безопасности. Используйте электроинструмент и оснастку только по назначению. Всякое другое применение запрещается.

1. Опора
2. Резиновый кожух
3. Вентиляционные отверстия
4. Задняя рукоятка
5. Стопорная кнопка выключателя
6. Выключатель
7. Предохранитель шнура
8. Ключ шестигранник
9. Рукоятка
10. Винт
11. Планка
12. Поршень
13. Нож
14. Центрирующий штифт
15. Соединительное отверстие
16. Профильный канал

17. Ограничительный штифт
18. Стяжной болт
19. Ось
20. Скоба
21. Электронный регулятор скорости (TSB 1300CE)

## Указания к работе

Электроинструмент работает только с однофазным непостоянным напряжением. Инструмент имеет двойную изоляцию согласно EN 60745-1 и IEC 60745, и может подсоединяться к контактам без защитных клемм. Радиопомехи соответствуют Директиве электромагнитной совместимости.

Электроинструмент предназначен для резки труб и профилей из металла, пластмассы, дерева и легких строительных материалов (блоков газобетона), с использованием подходящих ножей.

### ПЕРЕД НАЧАЛОМ РАБОТЫ

- Проверьте соответствие напряжения электросети с обозначенными на табличке техническими данными электроинструмента.
- Проверьте положение выключателя. Электроинструмент следует включать и отключать от электросети ТОЛЬКО при отключенном выключателе. Если штепсель будет вставлен в розетку при включенном положении выключателя, электроинструмент немедленно приводится в действие, что является предпосылкой инцидента.
- Убедитесь в исправности кабеля питания и штепселя. В случае повреждения кабеля питания, для его замены следует обратиться к производителю или его сервисным специалистам, во избежание любых рисков.



**ПРЕДОСТЕРЕЖЕНИЕ:** Всегда отключайте электроинструмент и вынимайте штепсель из розетки перед тем, как приступить к любой настройке, обслуживанию или уходу.

### ВЫБОР НОЖА

Нож следует подбирать в зависимости от вида обрабатываемого материала: для резки металла, дерева и др.

Все перечисленные типы ножей предлагаются с различной длиной режущей части.

При выборе подходящего ножа, следует принимать во внимание вид обрабатываемого материала (металл, дерево и т.д.), а также необходимую длину. При выборе длины ножа нужно исходить из того, что он обязательно должен выступать за пределы обрабатываемого материала минимум на 35 мм. Соблюдение этого правила сведет до минимума вероятность повреждения (ранений) во время работы (Рис.1).

Для достижения максимальной производительности и точности среза, для сохранения заточки ножа и увеличения срока использования, следует всегда использовать нож, чья длина и предназначение подходят для конкретной операции.



**ПРЕДОСТЕРЕЖЕНИЕ:** В процессе работы, нож нагревается до высокой температуры. Не прикасайтесь к ножу сразу же после остановки инструмента, т.к. это может вызвать ожог. Рекомендуем отложить пилу на известное время, пока нож не остынет, а также использовать перчатки для смены ножа.

## УСТАНОВКА И СМЕНА НОЖА

1. Убедитесь в том, что штепсель кабеля питания выключен из электрической розетки.

2. Выньте шестигранный ключ (8) из держателя (9).

3. Установите машину на твердую равную поверхность, как это показано на Рис. 2 При установке и смене ножа (13) не допускайте попадание шнура под инструмент 7 – это может привести к повреждению шнура и риску поражения электрическим током.

4. Открутите болт (10) до позиции, при которой его головка упрется в стенку крышки .

5. Внимательно выньте старый нож (13).

6. Вставьте новый нож 13 так, чтобы центрирующий штифт (14) вошел в отверстие для центровки в хвосте ножа.

7. Внимательно закручивайте стяжной болт (10) до тех пор, пока планка (11) не достигнет ножа (13).

8. Убедитесь в том, что нож (13) прочно вошел в канал (11).

9. Максимально крепко закрутите болт (10).

10. Вставьте шестигранный ключ (8) в держатель (9).

Внимательное и точное исполнение указанных действий гарантирует стабильную и надежную фиксацию ножа в машине.

Фиксация ножа обеспечивается как силами, действующими между ним, поршнем и планкой, так каналом планки, повторяющим очертания хвостика ножа. Центрирующий штифт служит лишь для первоначальной ориентировки ножа при монтаже, и не предназначен для силовых нагрузок в процессе работы.

При неправильном монтаже ножа, центрирующий штифт будет подвергнут значительным силовым нагрузкам, что может привести к его деформации или повреждению, после чего машину следует передать в сервис для замены центрирующего штифта.

**Не допускается работа инструмента с деформированным или отсутствующим центрирующим штифтом!**

Если стяжной болт не может закрепить достаточно сильно механизм подсоединения ножа по причине изнашивания шестиугольного гнезда, изнашивания резьбы или шестигранного ключа, это может привести к деформации центрирующего штифта (его повреждению). Вот почему следует своевременно менять стяжной болт или шестигранный ключ на новые.

## ПУСК - ОСТАНОВКА



**ПРЕДОСТЕРЕЖЕНИЕ:** Перед тем, как подключить электроинструмент в сеть питания, убедитесь в том, что напряжение сети соответствует техническим данным электроинструмента.

▪ Пуск: Возьмите пилу в руки, удерживая ее крепко и стабильно. Убедитесь в том, что нож не соприкасается с другими объектами. Передвиньте вперед блокирующий болт стопорную кнопку выключателя (5), после чего нажмите выключатель (6).

Машина снабжена электронной системой плавного пуска: первоначально инструмент начинает действовать на низких оборотах, и после 3-4 секунд достигает рабочих оборотов.

▪ Остановка: Для того, чтобы остановить машину, отпустите выключатель (6) .

## РЕГУЛИРОВКА ЧАСТОТЫ ХОДОВ

Положение на регулятора	Брой ходове на празен ход	Метал	Дърво	Пластмаса	Керамика, газобетон
G	2200	+	+	-	-
F	2050	+	+	-	-
E	1750	+	-	-	-
D	1500	+	-	-	+
C	1200	+	-	+	+
B	950	+	-	+	+
A	700	+	-	+	+

Оптимальный показатель скорости для различных материалов зависит от множества факторов - обрабатываемого материала, вида использованного ножа для резки, доступности зоны резки и т.д. Оптимальная скорость данного приложения достигается опытным путем в процессе работы. Используйте информацию, представленную в таблице, при первоначальной настройке скорости. Установите диск электронного регулятора скорости так, чтобы необходимое Вам положение (буква) совпало с маркером (▼).

### РЕЗКА

Всегда сохраняйте электроинструмент в положении, указанном на Рис.3 - во избежание поражения электрическим током. Если во время работы пила соприкоснется с проводником под напряжением, редуктор машины, передняя опора и нож становятся электрическими проводниками. Держите машину за заднюю рукоятку (4) и резиновый кожух (2), тем самым сводя до минимума вероятность поражения электрическим током.

#### Резка с помощью скобы для перпендикулярной резки

Подсоедините к инструменту скобу (20) для перпендикулярной резки так, чтобы ось (19) скобы вошла в входное отверстие (15) машины, а ограничительный штифт (17) вошел в профильный канал (16).

Позаботьтесь о том, чтобы призма скобы (20) для перпендикулярной резки была чистой от стружки и других загрязнений, т.к. это может вызвать неправильное позиционирование обрабатываемой детали и нарушения перпендикулярности среза.

Установите машину вместе со скобой (20) для перпендикулярной резки на трубу так, чтобы стяжной болт находился под прямым углом к трубе.

Крепко закрутите стяжной болт, но не деформируйте трубу.

В зависимости от того, какой рекой Вам удобней работать, возьмитесь за рукоятку стяжного болта (18), а другой рукой возьмитесь за рукоятку (4) машины и приведите ее в действие.

Удерживая рукоятку машины (4) и выключатель во включенной позиции, передвиньте заднюю часть машины для того, чтобы начать работу. Тяните за заднюю часть машины до полной прорезки обрабатываемой детали.

Для улучшения результата, в частности при резке труб диаметром больше 2", рекомендуется включать машину тогда, когда зубцы ножа установлены на обрабатываемой детали. Для получения оптимальной производительности, скорости резки и сохранения ножа, регулируйте натиск на обрабатываемую деталь путем более медленного или более быстрого управления задней частью машины.

Слишком сильный натиск не увеличивает скорость резки.

#### Свободная резка

Рекомендуется при каждом удобном случае использовать тиски или другое крепление для закрепления обрабатываемого материала.

Для получения прямых и чистых срезов металла и при резке по кривой (дерево, пластмасса, газобетон и др.), необходимо, чтобы используемая во время резки материала опора (1) была надежно прижата к обрабатываемому материалу.

Используйте только острые ножи в безупречном состоянии, предназначенные для соответствующего материала, необходимой длины.

В процессе резки старайтесь обеспечить равномерный натиск - это предпосылка для быстрого и точного среза. Слишком сильный



натиск не увеличивает скорость резки, но ведет к перегрузке машины и снижает срок использования ножа.

Во время работы держите машину крепко, прижимая опору (1) к обрабатываемому материалу.

Во время работы сабель питания машины должны всегда находиться сзади нее, и не падать в рабочую зону.

#### **Отверстия Рис. 4)**

При резке мягких пород дерева и легких строительных материалов можно в начале врезать нож в материал, после чего сформировать отверстие в обрабатываемом материале. Для этого выключенную пилу следует установить в ее нижнем конце на опору (1), а верхнюю часть ножа (13) - в начало среза. Включите пилу, и не спеша, внимательно начните приподнимать заднюю часть пилы, стремясь сохранить постоянный контакт опоры (1) и обрабатываемого материала. Поверните пилу, пока нож (13) не врежется полностью в обрабатываемый материал, после чего продолжайте работу в необходимом направлении.

При работе с более твердыми материалами не рекомендуется использовать эту технику врезания в материал, т.к. существует опасность пораниться.

Перед началом вырезания отверстия в „твердом“ материале, предварительно подготовьте отверстие размером, подходящим для используемого ножа, после чего начните резку. Обязательно прижимайте материал к опоре во время работы - это обусловит равномерность процесса и снижение вибраций.

#### **Использование смазочных средств**

При резке стальных деталей (труб, профилей и др.) следует использовать смазочную охлаждающую жидкость низкой вязкости, которая способствует удалению стружки и снижению температуры в зоне обработки. Использование смазочной охлаждающей жидкости продлевает срок пользования ножом.

Не используйте смазочные охлаждающие жидкости с высокой степенью вязкости (густое масло и др.), т.к. это затрудняет процесс удаления стружек и повышает температуру в зоне обработки, что приводит к сокращения срока действия ножа.

#### **Интенсивность использования**

Электроинструмент приводится в движение электродвигателем, который обеспечивает достаточную мощность для отрезания стальной трубы 6" (Ø170). Выделенная в процес-

се этой операции рабочая энергия (также, при резке плотных металлических деталей и дерева размером более Ø120 mm), ведет к значительному повышению температуры редуктора машины.

Несмотря на использование специальной высокотемпературной смазки в редукторе машины, превышение температуры выше критических показателей вызывает испарение масла из смазки и появление дыма из редуктора. Это явственный признак термической перегрузки электроинструмента. В случае возникновения этого признака, необходимо обратиться в ближайший сервис SPARKY для диагностики Вашего электроинструмента.

Во избежание термической перегрузки электроинструмента, рекомендуем после каждой продолжительной операции выключать электроинструмент на период, пока его температура не достигнет температуры воздуха. Подходящим критерием фиксирования начала термической перегрузки инструмента является ощущение высокой температуры редуктора даже через используемые при работе перчатки.

#### **ПРИНАДЛЕЖНОСТИ**

Скоба (от 2" до 6");  
Шестигранный ключ (S4);  
Ножи.

## **Обслуживание**



**ПРЕДОСТЕРЕЖЕНИЕ:** Всегда выключайте электроинструмент и вытаскивайте штепсель из розетки перед каждой проверкой или осуществлением ухода.

#### **ЗАМЕНА ЩЕТОК**

Электроинструмент снабжен самовыключающимися щетками. В случае изнашивания, щетки следует одновременно заменить на новые оригинальные щетки в сервисе SPARKY (гарантийный и внегарантийный ремонт).

#### **ОБЩАЯ ПРОВЕРКА**

Регулярно проводите проверку всей крепежной - они должны быть крепко затянуты. В случае, если какой-либо винт откручен, его следует немедленно закрутить во избежание опасности.



В случае повреждения кабеля питания, его замену должен произвести изготовитель или его сервисный специалист, во избежание опасности.

## УХОД

Для обеспечения безопасной работы всегда поддерживайте в чистоте и машину, и ее вентиляционные отверстия (3).

Регулярно проверяйте вентиляционные отверстия электродвигателя или переключателей на наличие пыли или чужеродных тел. Используйте мягкую щетку и/или струю воздуха для удалений пыли. Во избежание повреждения глаз, во время ухода за устройством пользуйтесь защитными очками.

Если корпус машины загрязнен, протрите его мягкой влажной салфеткой. Можно использовать слабый моющий препарат.



**ПРЕДОСТЕРЕЖЕНИЕ:** Не допускается употребление спирта, бензина и прочих растворителей. Никогда не пользуйтесь разъедающими препаратами для чистки пластмассовых частей.



**ПРЕДОСТЕРЕЖЕНИЕ:** Не допускается попадание и контакт устройства с водой.

**ВАЖНО!** В целях обеспечения безопасности работы электроинструмента и его надежности, все ремонтные работы, обслуживание и регулировку устройства (включительно проверку и замену щеток) следует проводить в специализированных сервисах SPARKY, используя исключительно оригинальные запасные части.

## Гарантия

Гарантийный срок электроинструментов SPARKY указан в гарантийной карте.

Неисправности, появившиеся в результате естественного изнашивания, перегрузки или неправильной эксплуатации, не входят в гарантийные обязательства.

Неисправности, появившиеся вследствие применения некачественных материалов и/или из-за производственных ошибок, устраняются без дополнительной оплаты путем замены или ремонта.

Рекламации дефектного электроинструмента SPARKY принимаются в том случае, если машина будет возвращена поставщику, или специализированному гарантийному сервису в не разобранном (первоначальном) состоянии.

## Замечания

Внимательно прочтите всю инструкцию по эксплуатации перед тем, как приступить к использованию этого изделия.

Производитель сохраняет за собой право вносить в свои изделия улучшения и изменения, а также изменять спецификации без предупреждения.

Спецификации для разных стран могут различаться.

## Зміст

Введення.....	87
Технічні дані.....	89
Загальні вказівки з безпеки при роботі з електроприладами.....	90
Додаткові вказівки з техніки безпеки під час роботи з шабельною пилою.....	92
Ознайомлення з електроінструментом.....	A/93
Вказівки щодо роботи.....	B/93
Обслуговування.....	96
Гарантія.....	97

### РОЗПАКУВАННЯ

У відповідності з загальноприйнятими технологіями великосерійного виробництва, майже не існує ризику поломки Вашого електроінструменту, або відсутності будь-якої з його частин. Якщо ви все ж таки встановите пошкодження, не використовуйте електроінструмент до тих пір, поки дефектна частина не буде замінена, а несправність - усунена. Порушення цієї рекомендації може призвести до серйозного трудового інциденту.

### ЗБІРКА

Шабельна пила постачається упакованою та зібраною, за винятком ножа. Ніж підбирається в залежності від застосування (різання металу, дерева, дерев'яної плитки, пластмаси тощо), після чого він монтується на машину.

## Введення

Придбаний Вами електроінструмент SPARKY перевершить Ваші очікування. Він зроблений у відповідності до високих стандартів якості SPARKY, що відповідають суворим вимогам споживача. Його легко обслуговувати і він безпечний при експлуатації, при правильному використанні цей електроінструмент буде служити Вам довгі роки.

### ЗАСТЕРЕЖЕННЯ!



Прочитайте уважно і цілком інструкцію з експлуатації, перед використанням новоприданого електроінструменту SPARKY. Зверніть спеціальну увагу на параграфи, позначених словом "Застереження". У Вашого електроінструменту SPARKY багато якостей, які полегшують роботу. При розробці цього інструменту основну увагу було направлено на безпеку, експлуатаційні якості і надійність, які полегшують його обслуговування і експлуатацію.



#### **Не викидайте електроінструменти разом з побутовими відходами!**

Відходи від електричних виробів не варто збирати разом з побутовими відходами. Будь ласка, викидайте в місцях, призначених для цього. Зв'яжіться з місцевою владою або представником для консультації щодо повторної переробки.

### ОХОРОНА НАВКОЛИШНЬОГО СЕРЕДОВИЩА



З урахуванням охорони навколишнього середовища електроінструмент, належності й упаковка повинні надати відповідній переробці для повторного використання сировини, що міститься в них. Для полегшення повторної переробки деталей, зроблених з штучних матеріалів, вони позначені відповідним чином.

## ОПИС СИМВОЛІВ

Табличка з даними електродріля містить спеціальні символи. Вони є важливою інформацією про використання інструмента та його характеристики.



Подвійна ізоляція для додаткового захисту.



Відповідає чинним європейським директивам.



Відповідає регламентам Митного союзу.



Відповідає вимогам українських нормативних документів.



Ознайомтеся з інструкцією з експлуатації.

YYYY-Www Термін виробництва, де змінними символами є:


YYYY - рік випуску,

ww - черговий календарний тиждень.

TSB

Шабельна пила.

# Технічні дані

Модель	TSB 1300C	TSB 1300CE
▪ Споживна потужність	1300 W	1300 W
▪ Холостий хід	2200 min <sup>-1</sup>	700-2200 min <sup>-1</sup>
▪ Хід ножа	30 mm	30 mm
▪ Розмір під'єднувального хвостовика ножа	12,7; 20 mm	12,7; 20 mm
▪ Максимальний розмір при вільному різанні**	Ø6" (170 mm)	Ø6" (170 mm)
▪ Максимальний розмір під час різання зі скобою**	Ø6" (170 mm)	Ø6" (170 mm)
▪ Габаритна довжина	585 mm	605 mm
▪ Вага (ЕРТА процедура 01/2014)	3,5 kg	3,6 kg
▪ Клас захисту (EN 60745-1) 	II	II

## ІНФОРМАЦІЯ ПРО ШУМ І ВІБРАЦІЇ

Значення, заміряні згідно EN 60745.

### ▪ Рівень шуму

A-зважений рівень звукового тиску L <sub>рА</sub>	87 dB(A)	87 dB(A)
Невизначеність K <sub>рА</sub>	3 dB	3 dB
A-зважений рівень звукової потужності L <sub>wА</sub>	98 dB(A)	98 dB(A)
Невизначеність K <sub>wА</sub>	3 dB	3 dB

### Використовуйте засоби для захисту від шуму!

### ▪ Рівень вібрацій \*

Сумарні значення вібрацій (векторна сума трьох напрямків) визначені відповідно до EN 60745:

#### Різнання у дереві

Значення випромєнених вібрацій a <sub>h,D</sub>	25 m/s <sup>2</sup>	25 m/s <sup>2</sup>
Невизначеність K <sub>h,cw</sub>	1,5 m/s <sup>2</sup>	1,5 m/s <sup>2</sup>

#### Різнання металічних труб за допомогою скоби для перпендикулярного різання

Значення випромєнених вібрацій a <sub>h,D</sub>	12,3 m/s <sup>2</sup>	12,3 m/s <sup>2</sup>
Невизначеність K <sub>h,cw</sub>	1,7 m/s <sup>2</sup>	1,7 m/s <sup>2</sup>

\* Рівень вібрацій визначений згідно п. 6.2.7 EN 60745.

\*\* Прочитайте текст у пункті «Інтенсивність використання».

Вказаний в інструкції рівень вібрацій виміряний відповідно до встановлених EN 60745 методик випробувань, і може використовуватися для порівняння електроінструментів. Рівень вібрацій може використовуватися для попередньої оцінки впливу.

Зазначений рівень вібрацій надано за умови використання інструменту за його прямим призначенням. У тих випадках, коли електроінструмент використовується для інших цілей, з іншими речами, рівень вібрацій може відрізнятись від зазначеного. У цих випадках рівень впливу може значно зрости в рамках загального періоду роботи.

Для точної оцінки впливу вібрацій, під час певного періоду роботи необхідно враховувати проміжні часу, в які електроінструмент вимкнено, або хоча і включений, але фактично не використовується. Це може істотно скоротити вплив вібрацій протягом всього періоду роботи.

Зберігайте електроінструмент і його речі в гарному стані. Під час роботи намагайтеся зберігати руки теплими - це допоможе зменшити шкідливий вплив при роботі з підвищеною вібрацією.

Пил матеріалів, наприклад - фарби з вмістом свинцю, деяких сортів деревини, мінералів і металу може бути шкідливим для здоров'я. Дотик до пилу і потрапляння пилу в дихальні шляхи може викликати алергічні реакції та / або захворювання дихальних шляхів оператора або персоналу, що знаходиться поблизу.

Певні види пилу, наприклад, з дуба та бука, вважаються канцерогенними, особливо, спільно з присадками для обробки деревини (хромат, засіб для захисту деревини, тощо). Матеріал з вмістом азбесту дозволяється обробляти тільки фахівцям.

▪ По можливості застосовуйте відсмоктування пилу.

▪ Для досягнення максимально високої ефективності збирання пилу при роботі з даним приладом, використовуйте пилосос, призначений для збору пилу з деревини або для пилу з деревини та / або мінерального пилу.

- Слідкуйте за хорошою вентиляцією.
  - Рекомендується користуватися дихальною захисною маскою з фільтром класу P2.
- Дотримуйтесь розпорядження щодо оброблюваних матеріалів, що діють у Вашій країні.

## Загальні вказівки з безпеки при роботі з електроприладами



**ЗАСТЕРЕЖЕННЯ!** Прочитайте всі попередження і вказівки з безпеки. Недодержання попереджень і вказівок з безпеки може призвести до ураження електричним струмом, пожежі та / або важкого поранення.

**Збережіть всі попередження та вказівки для подальшого використання.**

Термін "електроприлад" у всіх зазначених нижче попередженнях стосується вашого електроприладу, з живленням від мережі (з кабелем), та / або електроприладу з живленням від акумуляторної батареї (без кабелю).

### 1) Безпека робочого місця

- Утримайте робоче місце в чистоті і добре освітленим. Безлад і недостатнє освітлення є передумовою виникнення трудових інцидентів.
- Не працюйте з електроприладами у вибухонебезпечній атмосфері при наявності займистих рідин, газів або пилу. Електроприлади створюють іскри, що можуть займати пил або пари.
- Тримайте дітей та сторонніх осіб на відстані, коли працюєте з електроприладом. Розсіювання уваги може призвести до втрати контролю з Вашого боку.

### 2) Електрична безпека

- Штепселі електроприладів повинні відповідати контактним гніздам. Ніколи не змінюйте штепсель у будь-який спосіб. Не використовуйте будь-які адаптерні штепселі для електроприладів із захисним заземленням. Використання оригінальних штепселів і відповідних їм контактів зменшує ризик удару електричним струмом.
- Уникайте дотику тіла з землею або заземленими поверхнями, такими як

труби, радіатори, кухонні плити та холодильники. Якщо ваше тіло заземлене, існує підвищений ризик ураження електричним струмом.

- Не залишайте електроприлади під дощем або у вологому середовищі. Проникнення води в електроприлади підвищує ризик ураження електричним струмом.
  - Використовуйте кабель за призначенням. Ніколи не використовуйте кабель для перенесення електроприладу, натягування або відключення штепселя з контактного гнізда. Тримайте кабель далеко від тепла, олії, гострих кутів, що рухаються. Пошкоджені або заплутані кабелі підвищують ризик поразок електричним струмом.
  - Під час зовнішніх робіт використовуйте подовжувач, що підходить для цих цілей. Використання подовжувача, призначеного для зовнішніх робіт, зменшує небезпеку від ураження електричним струмом.
  - У випадку, якщо робота з електроприладом у вологому середовищі неминуча, використовуйте запобіжний пристрій, який робить на залишковому струмі для переривання подачі струму. Використання запобіжного пристрою зменшує ризик ураження електричним струмом.
- ### 3) Особиста безпека
- Будьте пильні, працюйте з підвищеною увагою і проявляйте розсудливість, коли працюєте з електроприладом. Не використовуйте електроприлад, коли ви стомлені, або під впливом наркотиків, алкоголю, медикаментів, тощо. Одна мить неувagi при роботі з електроприладом може призвести до серйозної виробничої травми.
  - Використовуйте індивідуальні засоби захисту. Носіть завжди захисні окуляри. Індивідуальні засоби захисту, такі як маска проти пилу, неслизьке взуття, захисний шолом або засоби для захисту слуху, що використовуються в конкретних умовах, знижують ризик виникнення виробничих травм.

- c) Уникайте мимовільного пуску інструменту. Переконайтеся, що вимикач знаходиться в положенні “вимкнено” перед включенням в джерело живлення та / або акумуляторної батареї, перед тим, візьмете в руки або перенесите. Носіння електроприладу з пальцем на вимикачі або підключення до джерела живлення електроінструменту з вимикачем у включеному положенні є передумовою для виробничої травми.
- d) Видаліть кожен гайковий ключ перед включенням електроприладу. Ключ для затягування або гайковий ключ, прикріплений до частини електроприладу, що обертається, може призвести до трудового інциденту.
- e) Не простягайтесь занадто. Підтримуйте правильне положення і рівновагу протягом всієї роботи. Це дозволить краще керувати електроприладом у несподіваних ситуаціях.
- f) Носіть придатний одяг. Не носіть широкий одяг або прикраси. Тримайте своє волосся, одяг і рукавички далеко від рухомих частин. Широкий одяг, біжутерія та довге волосся можуть потрапити в рухомі частини.
- g) Якщо електроприлад має пристосування для пилу, переконайтеся, що воно правильно встановлено і правильно використовується. Використання цих пристроїв може знизити пов'язані з пилом небезпеки.
- 4) Експлуатація и догляд за електроприладами**
- a) Не перевантажуйте електроприлад. Використовуйте правильно вибраний електроприлад згідно з його призначенням. Правильно підібраний електроприлад працює краще і безпечніше для оолошеного режиму роботи, для якого він спроектований.
- b) Не використовуйте електроприлад у випадку, якщо вимикач не переходить у включену і виключену позицію. Кожен електроприлад, який не може управлятися за допомогою вимикача, є небезпечним і підлягає ремонту.
- c) Вимкніть штепсель від електромережі перед тим, як почати будь-які налаштування, перед заміною приладдя або перед тим, як прибрати електроприлад для зберігання. Ці запобіжні заходи знижують ризик мимовільного пуску електроприладу.
- d) Зберігайте невикористані електроприлади в місцях, недоступних для дітей, і не дозволяйте користуватися ним обслуговуючому персоналу, який не знайомий з електроприладом або інструкціями з експлуатації. Електроприлади є небезпечними в руках ненавчених споживачів.
- e) Перевіряйте електроприлади. Перевіряйте, чи працюють нормально і рухаються вільно рухомі частини, чи знаходяться в цілості і справності усі частини, а також перевіряйте всі інші обставини, які можуть негативно вплинути на роботу електроприладу. У разі ушкодження електроприлад необхідно відремонтувати перед його подальшим використанням. Багато інцидентів заподіюються у випадку поганого обслуговування електроприладів.
- f) Підтримуйте різучі інструменти гострими і чистими. Правильно підтримані різучі інструменти з гострими кутами рідше блокуються і простіше управляються.
- g) Використовуйте електроприлад, належності (комплектуючі) і частини інструменту і т.д. відповідно до цих інструкцій та у засіб, передбачений для конкретного типу електроприладу, маючи на увазі робочі умови і роботу, яку необхідно виконувати. Використання електроприладу для роботи не за призначенням може призвести до небезпечної ситуації.
- 5) Технічне обслуговування**
- a) Ремонтуйте ваш електроприлад у кваліфікованого фахівця з ремонту, при цьому використовуйте тільки оригінальні запасні частини. Це забезпечує безпеку електроприладу.

## Додаткові вказівки по техніці безпеки під час роботи з шабельною пилою



**ЗАСТЕРЕЖЕННЯ:** Перед тим, як підключити електроінструмент у мережу живлення, переконайтеся в тому, що напруга електромережі відповідає технічним даними електроінструменту.

- Джерело живлення з більш високою, ніж вказана на електроінструменті, напругою, може призвести до серйозних наслідків як для оператора (ураження електричним струмом), так і пошкодити електроінструмент.
- Якщо у Вас виникли сумніви, не вставляйте штепсель електроінструменту в розетку.
- Використання джерела живлення з більш низькою, ніж позначене на табличці електроінструменту напругою, зашкодить електродвигуну.



**Використовуйте засоби захисту слуху під час тривалої роботи.** Вплив шуму може привести до втрати слуху.



**Під час роботи використовуйте засоби захисту зору, щоб вберегтися від частинок, що виділяються.** Користуйтеся захисними окулярами.



**Використовуйте запобіжні засоби проти вдихання пилу.** Деякі матеріали можуть містити токсичні складові. Користуйтеся пилозахисною маскою і пристроєм пиловідводу.



**Використовуйте захисні рукавиці.**

- Якщо існує можливість ріжучого приладдя з прихованою електропроводкою або з власним шнуром живлення, тримайте електроінструмент тільки за ізольовані поверхні рукояток. Контакт приладдя зі струмоведучим проводом ставить під напругу також відкриті металеві частини електроінструменту і може призвести до ураження оператора електричним струмом.



**ЗАСТЕРЕЖЕННЯ:** Завжди вимикайте електроінструмент та виймайте штепсель із розетки перед тим, як розпочати будь-які роботи з налаштування інструменту, та його обслуговування.

- Після тривалої роботи, зовнішні металеві частини та приладдя можуть перегрітися. Не торкайтеся інструмента або оброблюваної деталі відразу ж після роботи, щоб уникнути опіків.
- Бережіть руки від частин, що рухаються.
- Якщо можливо, використовуйте скоби або лещата для закріплення оброблюваної деталі.
- Вимкнувши шабельну пилу, дочекайтеся повної зупинки ножа, поклавши інструмент осторонь.
- Не перевантажуйте машину: працюйте з помірним навантаженням. Перевантаження виникають в результаті занадто високого тиску, при якому електродвигун уповільнює обертання, а це є передумовою неефективної роботи і поломки електродвигуна.
- У робочій зоні ніколи не слід залишати тканину, шнур, кабель та ін
- Перед тим, як використовувати електроінструмент, увімкніть його та залиште трохи попрацювати, щоб переконатися у його нормальному функціонуванні. Під час роботи електроінструмент повинен знаходитися на відстані мінімум 200 мм від обличчя і тіла.
- Завжди під час роботи займайте стабільне положення. При виконанні висотних робіт, переконайтеся, що під вами нікого немає.
- Тримайте електроінструмент міцно.
- Електроінструмент слід використовувати тільки за призначенням. Будь-яке інше застосування, відмінне від описаного в цій інструкції, вважається неправильним. Відповідальність у випадку пошкодження або поранень, викликаних неправильним використанням інструменту, несе споживач, а не виробник.
- Для правильної експлуатації електроінструмента слід дотримуватися правил безпеки, загальних інструкцій та вказівок по роботі, зазначених нижче. Всі споживачі повинні ознайомитися з цією інструкцією по експлуатації та отримати інформацію про ризики під час роботи електроінструменту. Дітям та фізично ослабленим особам не слід користуватися цим приладом.



Слід тримати дітей під постійним наглядом у випадку, якщо вони знаходяться поблизу від місця роботи електроінструмента. В обов'язковому порядку слід вживати превентивні заходи безпеки. Теж саме стосується дотримання правил безпеки праці та здоров'я.

- Виробник не несе відповідальність в разі внесених споживачем змін в електроінструмент, або ж пошкоджень, викликаних подібними діями.
- Електроінструмент не слід використовувати під відкритим небом в дощову погоду, у вологому середовищі (після дощу), або поблизу від займистих рідин і газів. Робоче місце має бути добре освітлене.

## Ознайомлення з електроінструментом

Перед початком експлуатації цієї електродрилі ознайомтеся з усіма його оперативними особливостями і умовами безпечної роботи. Використовуйте електроінструмент і його комплектуючі тільки за призначенням. Будь-яке інше застосування абсолютно заборонене.

1. Опора
2. Гумовий кожух
3. Вентиляційні отвори
4. Задня рукоятка
5. Кнопка блокування вимикача
6. Вимикач
7. Запобіжник шнура
8. Шестигранний ключ
9. Рукоятка
10. Гвинт
11. Планка
12. Поршень
13. Ніж
14. Центруючий гвинт
15. З'єднувальний отвір
16. Профільний канал
17. Обмежуючий штифт
18. Затяжний болт
19. Вісь
20. Скоба
21. Електронний регулятор швидкості обертів (TSB 1300CE)

## Вказівки щодо роботи

Електроінструмент працює тільки з однофазною непостійною напругою. Подвійна ізоляція електроінструменту згідно з EN 60745-1 та IEC 60745 дозволяє його підключення до розеток без захисних клем. Радіоперешкоди відповідають Директиві електромагнітної сумісності.

Електроінструмент призначений для різання труб та профілів з металу, пластмаси, деревини та легких будівельних матеріалів (блоків газобетону), з використанням відповідних ножів

### ПЕРЕД ПОЧАТКОМ РОБОТИ

- Переверте відповідність напруги електромережі щодо позначених на табличці технічних даних електроінструменту.
- Переверте положення вимикача. Електроінструмент слід підключати та відключати від електромережі ТІЛЬКИ, коли вимкнено вимикач. Якщо штепсель буде встановлений у розетку при ввімкненому положенні вимикача, електроінструмент негайно приводиться в дію, що може спричинити нещасний випадок.
- Переконайтеся у справності кабелю живлення і штепселя. У випадку пошкодження кабелю живлення, для його заміни слід звернутися до виробника або його сервісного спеціаліста, щоб уникнути будь-яких ризиків.



**ЗАСТЕРЕЖЕННЯ:** Завжди вимикайте електроінструмент та виймайте штепсель із розетки перед тим, як розпочати будь-які роботи з перевірки інструменту, його налаштування або обслуговування.

### БИБІР НОЖА

Ніж слід підбирати в залежності від виду оброблюваного матеріалу: для різання металу, дерева та ін.

Всі перераховані типи ножів мають різну довжину ріжучої частини.

Вибираючи підходящий ніж, слід брати до уваги вид оброблюваного матеріалу (метал, дерево та ін.), а також необхідну довжину. Вибираючи ніж, виходьте з того, що він обов'язково має виступати за межі оброблюваного матеріалу мінімум на 35 мм. Дотри-



манья цього правила зменшить ризик отримання ушкоджень (поранень) під час роботи (Рис.1).

Для досягнення максимальної продуктивності та точності зрізу, для збереження заточки ножа та збільшення терміну використання, завжди слід використовувати ніж, чия довжина та призначення підходять для конкретної операції.

## **ВСТАНОВЛЕННЯ ТА ЗАМІНА НОЖА**

1. Переконайтеся у тому, що шнур живлення вимкнений із електричної мережі.
2. Вийміть шестигранний ключ (8) з тримача (9).
3. Поставте машину на тверду рівну поверхню, як зображено на Рис. 2. Під час встановлення та заміни ножа (13) не допускайте потрапляння шнуру під інструмент 7 – це може призвести до пошкодження шнура та ризику ураження електричним струмом.
4. Відкрутіть болт (10) до позиції, у якій його голівка упреться у стінку кришки.
5. Обережно вийміть старий ніж (13).
6. Вставте новий ніж 13 так, щоб центруючий штифт (14) увійшов в отвір для центрування у хвості ножа.
7. Обережно закрутіть стягуючий болт (10) до тих пір, поки планка (11) не досягне ножа (13).
8. Переконайтеся у тому, що ніж (13) міцно увійшов у канал (11).
9. Максимально міцно закрутіть болт (10).
10. Вставте шестигранний ключ (8) у тримач (9).

Уважне і точне виконання описаних дій гарантує стабільну та надійну фіксацію ножа у машині.

Фіксація ножа забезпечується як силами, що діють між ним, поршнем та планкою, так і каналом планки, що повторює контури хвостика ножа. Центруючий штифт слугує лише для початкової орієнтації ножа під час монтажу, та не призначений для силових навантажень у процесі роботи.

У випадку неправильного монтажу ножа, на центруючий штифт будуть діяти значні сили навантаження, що може призвести до його деформації та пошкодження, після чого машину слід передати у сервіс для заміни центруючого штифта.

## **Не допускається робота інструмента з деформованим або відсутнім центруючим штифтом!**

Якщо затяжний болт не може достатньо сильно зафіксувати механізм під'єднання ножа у зв'язку зі зношенням шестигранного гнізда, зношення різьби або шестигранного ключа, можлива деформація центруючого штифта (його ушкодження). Ось чому слід своєчасно змінювати затяжний болт або шестигранний ключ на нові.

## **ПУСК - ЗУПИНКА**



**ЗАСТЕРЕЖЕННЯ:** Перед тим, як підключити електроінструмент у мережу живлення, переконайтеся в тому, що електронапруга мережі відповідає технічним даними електроінструменту.

- **Пуск:** Візьміть пилу у руки, утримуючи її міцно і стабільно. Переконайтеся у тому, що ніж не контактує з іншими об'єктами. Натисніть вперед кнопку блокування вимикача (5), після чого натисніть вимикач (6). Машина оснащена електронною системою плавного пуску: спочатку інструмент починає працювати на низьких обертах, і після 3-4 секунд досягає робочих обертів.
- **Зупинка:** Для того, щоб зупинити машину, відпустіть вимикач (6).

## **РЕГУЛЮВАННЯ ЧАСТОТИ ОБЕРТІВ**

Оптимальний показник швидкості для різних матеріалів залежить від безлічі чинників - оброблюваного матеріалу, виду ножа для різання, що використовується, доступності зони різання і т.д. Оптимальна швидкість цього додатка визначена дослідним шляхом у процесі роботи. Використовуйте інформацію, представлену в таблиці, під час початкового налаштування швидкості. Встановіть диск електронного регулятора швидкості так, щоб необхідне Вам положення (буква) збіглося з маркером (▼).

Положення регулятора	Частота обертів	Метал	Дерево	Пластмаса	Кераміка, газобетон
G	2200	+	+	-	-
F	2050	+	+	-	-
E	1750	+	-	-	-
D	1500	+	-	-	+
C	1200	+	-	+	+
B	950	+	-	+	+
A	700	+	-	+	+

## РІЗАННЯ

Завжди зберігайте електроінструмент у положенні, зазначеному на Рис.3, щоб уникнути ураження електричним струмом. Якщо під час роботи пила стикнеться з провідником під напругою, редуктор машини, передня опора і ніж стануть електричними провідниками. Тримайте машину за задню рукоятку (4) і гумовий кожух (2), тим самим зводячи до мінімуму ймовірність ураження електричним струмом.

### Різання за допомогою скоби для перпендикулярного різання:

Підключіть до інструмента скобу (20) для перпендикулярного різання так, щоб вісь (19) скоби увійшла в вхідний отвір (15) машини, а обмежувальний штифт (17) увійшов до профільного каналу (16).

Подбайте про те, щоб призма скоби (20) для перпендикулярного різання була чистою від стружки і інших забруднень, тому це може викликати неправильне позиціонування оброблюваної деталі і порушення перпендикулярності зрізу.

Встановіть машину разом зі скобою (20) для перпендикулярного різання на трубу так, щоб затяжний болт знаходився під прямим кутом до труби.

Міцно закрутіть затяжний болт, але не деформуйте трубу.

В залежності від того, якою рукою Вам зручніше працювати, візьміться за рукоятку затяжного болта (18), а іншою рукою візьміться за рукоятку (4) машини і приведіть її в дію.

Утримуючи рукоятку машини (4) і вимикач в увімкненій позиції, пересуньте задню частину машини для того, щоб почати роботу. Тягніть за задню частину машини до повного прорізування оброблюваної деталі.

Для поліпшення результату, зокрема при різанні труб діаметром більше 2", рекомендується вмикати машину тоді, коли зубці ножа

встановлені на оброблюваній деталі.

Для отримання оптимальної продуктивності, швидкості різання та для збереження ножа, регулюйте натиск на оброблювану деталь шляхом більш повільного або більш швидкого управління задньою частиною машини.

Занадто сильний натиск не збільшує швидкість різання.

### Вільне різання:

Рекомендується за кожного зручного випадку використовувати лещата або інше кріплення для закріплення оброблюваного матеріалу.

Для отримання прямих і чистих зрівів металу і під час різання по кривій (дерево, пластмаса, газобетон тощо), необхідно, щоб використовувана під час різання матеріалу опора (1) була надійно притиснута до оброблюваного матеріалу.

Використовуйте тільки гострі ножі, що знаходяться у бездоганному стані, призначені для відповідного матеріалу, необхідної довжини.

У процесі різання намагайтеся забезпечити рівномірний натиск - це передумова для швидкого і точного зрізу. Занадто сильний натиск не збільшує швидкість різання, але веде до перевантаження машини і знижує термін використання ножа.

Під час роботи тримайте машину міцно, притискаючи опору (1) до оброблюваного матеріалу.

Під час роботи кабель живлення машини повинен завжди знаходитися позаду неї, і не потрапляти у робочу зону.

### Отвори (Рис. 4):

Під час різання м'яких порід дерева і легких будівельних матеріалів можна спочатку врізати ніж у матеріал, після чого оформити отвір в оброблюваному матеріалі. Для цього вимкнену пилу слід встановити в її нижньому кінці на опору (1), а верхню частину ножа (13) - на початок зрізу. Увімкніть пилу, і не поспішаючи, уважно почніть піднімати задню частину пил-

ки, намагаючись зберегти постійний контакт опори (1) і оброблюваного матеріалу. Поверніть пилу, поки ніж (13) не вріжеться повністю в оброблюваний матеріал, після чого продовжуйте роботу в необхідному напрямку.

Під час роботи з більш твердими матеріалами не рекомендується використовувати цю техніку врізання в матеріал, тому що існує небезпека отримання поранення.

Перед початком вирізання отвору в "твердому" матеріалі, попередньо підготуйте отвір такого розміру, який підходить до ножа, що використовується, після чого почніть різання. Обов'язково притискайте матеріал до опори під час роботи - це зумовить рівномірність процесу і знизить вібрації.

#### **Використання мастиль:**

Під час різання сталевих деталей (труб, профілів тощо) слід використовувати мастильну охолоджуючу рідину низькою в'язкості, яка сприяє видаленню стружки і зниженню температури в зоні обробки. Використання охолоджуючої мастильної рідини подовжує термін експлуатації ножа.

Не використовуйте мастильні охолоджуючі рідини з високим ступенем в'язкості (густе масло тощо), тому що це ускладнює процес видалення стружок і підвищує температуру в зоні обробки, що призводить до скорочення терміну експлуатації ножа.

#### **Інтенсивність використання:**

Електроінструмент приводиться в рух електродвигуном, який забезпечує достатню потужність для відрізання сталеві труби 6 "(Ø170). Виділена в процесі цієї операції робоча енергія (також, при різанні щільних металевих деталей і дерева розміром більше Ø120 mm), веде до значного підвищення температури редуктора машини.

Незважаючи на використання спеціального високотемпературного мастила у редукторі машини, підвищення температури вище критичних показників викликає випаровування олії з мастила та появу диму з редуктора. Це чітка ознака термічної перевантаження електроінструменту. У разі виникнення цієї ознаки, необхідно звернутися у найближчий сервіс SPARKY для діагностики Вашого електроінструменту.

Щоб уникнути термічного перевантаження електроінструменту, рекомендуємо після кожної тривалої операції вимикати електроінструмент на період, поки його температура не досягне температури повітря. Критерієм фіксування початку термічного перевантаження інструменту може слугувати відчуття

високої температури редуктора навіть крізь використувані робочі рукавички.

## **ПРИЛАДДА**

- Скоба (від 2" до 6");  
Шестигранний ключ (S4);  
Ножі.

## **Обслуговування**



**ЗАСТЕРЕЖЕННЯ:** Завжди вимикайте електроінструмент і витягуйте штепсель із розетки перед кожною перевіркою або здійсненням догляду.

## **ЗАМІНА ЩІТКОК**

Електроінструмент оснащений щітками, що вимикаються самостійно. У разі зношування, щітки слід одночасно замінити на нові оригінальні щітки у сервісі SPARKY (гарантійний та позагарантійний ремонт).

## **ЗАГАЛЬНА ПЕРЕВІРКА**

Регулярно здійснюйте перевірку всіх кріплень - вони повинні бути міцно затягнуті. У випадку, якщо будь-який гвинт відкручений, його слід негайно закрутити щоб уникнути небезпеки. У разі пошкодження кабелю живлення, його заміну повинен здійснити виробник або його сервісний фахівець, щоб уникнути небезпеки.

## **ДОГЛЯД**

Для забезпечення безпечної роботи завжди підтримуйте у чистоті і машину, й її вентиляційні отвори. (3)

Регулярно перевіряйте вентиляційні отвори електродвигуна або перемикачів на наявність пилу або сторонніх тіл. Використовуйте м'яку щітку та/або струмінь повітря для видалення пилу. Щоб уникнути пошкодження очей, під час догляду за пристроєм користуйтеся захисними окулярами.

Якщо корпус машини забруднений, протріть його м'якою вологою серветкою. Можна використовувати слабкий миючий засіб.



**ЗАСТЕРЕЖЕННЯ:** Не допускається застосування спирту, бензину та інших розчинників. Ніколи не користуйтеся їдкими препаратами для чищення пластмасових частин.



**ЗАСТЕРЕЖЕННЯ:** Не допускається попадання і контакт пристрою з водою.

**ВАЖЛИВО!** З метою забезпечення безпеки роботи електроінструменту і його надійності, всі ремонтні роботи, обслуговування і регулювання пристрою (враховуючи перевірку і заміну щіток) слід проводити у спеціалізованих сервісах SPARKY, використовуючи виключно оригінальні запасні частини.

## Гарантія

---

Гарантійний термін електроприладів SPARKY вказаний в гарантійній карті.

Несправності, що з'явилися в результаті природного зношування, перевантаження або неправильного користування, не входять до гарантійних зобов'язань.

Несправності, що з'явилися внаслідок застосування неякісних матеріалів та / або через виробничі помилок, усуваються без додаткової оплати шляхом заміни або ремонту.

Рекламації дефектного електроприладу SPARKY приймаються у тому випадку, якщо прилад буде повернуто постачальнику, або спеціалізованому гарантійному сервісу в не розібраному (початковому) стані.

## Примітки

---

Уважно прочитайте всю інструкцію з експлуатації, перед тим, як приступити до використання виробу.

Виробник зберігає за собою право вносити у свої вироби поліпшення і зміни, а також змінювати специфікації без попередження.

Специфікації для різних країн можуть відрізнятися.

# Съдържание

Въведение .....	98
Технически данни .....	100
Общи указания за безопасност при работа с електроинструменти .....	101
Допълнителни правила за безопасност при работа със саблен трион.....	103
Запознаване с електроинструмента .....	A/104
Указания за работа .....	B/104
Поддръжка .....	107
Гаранция .....	108

## РАЗОПАКОВАНЕ

В съответствие с общоприетите технологии на едросерийно производство е малко вероятно Вашият електроинструмент да бъде неизправен или някоя от частите му да липсва. Ако забележите, че нещо не е наред, не работете с електроинструмента, докато повредената част не бъде заменена или неизправността не бъде отстранена. Неспазването на тази препоръка може да доведе до сериозна трудова злополука.

## СГЛОБЯВАНЕ

Сабленият трион се доставя опакован и напълно сглобен с изключение на ножа. Ножът се избира в зависимост от приложението му (рязане на метал, дърво, плочи от дървесни частици, пластмаса и др.), след което се монтира към машината..

## Въведение

Новопридобитият от Вас електроинструмент SPARKY ще надхвърли Вашите очаквания. Той е произведен в съответствие с високите стандарти на качеството на SPARKY, отговарящи на строгите изисквания на потребителя. Лесен за обслужване и безопасен при експлоатация, при правилна употреба този електроинструмент ще Ви служи надеждно дълги години.

## ПРЕДУПРЕЖДЕНИЕ!



Внимателно прочетете цялата инструкция за използване преди да използвате новопридобития си електроинструмент SPARKY. Обърнете специално внимание на текстовете, които започват с думата “Предупреждение”. Вашият електроинструмент SPARKY притежава много качества, които ще улеснят Вашата работа. При разработката на този електроинструмент най-голямо внимание е обърнато на безопасността, експлоатационните качества и надеждността, които го правят лесен за поддръжка и експлоатация.



### Не изхвърляйте електроинструменти заедно с битовите отпадъци!

Отпадъците от електрически изделия не трябва да се събират заедно с битовите отпадъци. Моля, рециклирайте на местата, предназначени за това. Свържете се с местните власти или представител за консултация относно рециклирането.

## ОПАЗВАНЕ НА ОКОЛНАТА СРЕДА



С оглед опазване на околната среда електроинструментът, принадлежностите и опаковката трябва да бъдат подложени на подходяща преработка за повторно използване на съдържащите се в тях суровини.

За облекчаване на рециклирането детайлите, произведени от изкуствени материали, са обозначени по съответния начин.

## ОПИСАНИЕ НА СИМВОЛИТЕ

Върху табелката с данни на електроинструмента са означени специални символи. Те предоставят важна информация за изделието или инструкциите за неговото ползване.



Двойна изолация за допълнителна защита.



Съответства на приложимите европейски директиви.



Съответства на изискванията на регламентите на Митническия съюз.



Съответства на изискванията на украинските нормативни документи.




Запознайте се с инструкцията за използване.

YYYY-Www    Период на производство, където променливи символи са:  
YYYY - година на производство,  
ww - поредна календарна седмица.

TSB            Саблен трион.

# Технически данни

Модел	TSB 1300C	TSB 1300CE
▪ Консумирана мощност	1300 W	1300 W
▪ Брой ходове на празен ход	2200 min <sup>-1</sup>	700-2200 min <sup>-1</sup>
▪ Ход на ножа	30 mm	30 mm
▪ Размер за присъединяване на опашката на ножа	12,7; 20 mm	12,7; 20 mm
▪ Максимален размер при свободно рязане**	Ø6" (170 mm)	Ø6" (170 mm)
▪ Максимален размер при рязане със скоба**	Ø6" (170 mm)	Ø6" (170 mm)
▪ Габаритна дължина	585 mm	605 mm
▪ Тегло (ЕРТА процедура 01/2014)	3,5 kg	3,6 kg
▪ Клас на защита (EN 60745-1) 	II	II

## ИНФОРМАЦИЯ ЗА ШУМ И ВИБРАЦИИ

Стойностите са измерени съгласно EN 60745.

### ▪ Излъчване на шум

A-претеглено ниво на звуково налягане L <sub>pA</sub>	87 dB(A)	87 dB(A)
Неопределеност K <sub>pA</sub>	3 dB	3 dB
A-претеглено ниво на звукова мощност L <sub>wA</sub>	98 dB(A)	98 dB(A)
Неопределеност K <sub>wA</sub>	3 dB	3 dB

### Использвайте средства за защита от шума!

### ▪ Излъчване на вибрации \*

Обща стойност на вибрациите (векторна сума по трите оси), определена съгласно EN 60745:

Рязане на дърво

Стойност на излъчените вибрации a <sub>h,CW</sub>	25 m/s <sup>2</sup>	25 m/s <sup>2</sup>
Неопределеност K <sub>h,CW</sub>	1,5 m/s <sup>2</sup>	1,5 m/s <sup>2</sup>

Рязане на метална тръба със скоба за перпендикулярно рязане

Стойност на излъчените вибрации a <sub>h,CM</sub>	12,3 m/s <sup>2</sup>	12,3 m/s <sup>2</sup>
Неопределеност K <sub>h,CM</sub>	1,7 m/s <sup>2</sup>	1,7 m/s <sup>2</sup>

\* Вибрациите са определени съгласно т. 6.2.7 на EN 60745

\*\* Прочетете текста в точка "Интензивност на използване".

Посоченото в тази инструкция ниво на вибрации е измерено в съответствие с методиката за изпитване, указана в EN 60745 и може да се използва за сравняване на електроинструменти. Нивото на вибрации може да се използва за предварителна оценка на степента на въздействие. Декларираното ниво на вибрации се отнася за основното предназначение на електроинструмента. В случаите, при които електроинструментът се използва за друго предназначение, с други принадлежности или ако електроинструментът не се поддържа добре, нивото на вибрации може да различава от посоченото. В тези случаи нивото на въздействие може значително да нарасне в границите на общия период на работа.

При оценката на нивото на въздействие на вибрации трябва също да се отчита времето, през което електроинструментът е изключен или е включен, но не се използва. Това може значително да понижи нивото на въздействие в границите на общия период на работа.

Поддържайте електроинструмента и принадлежностите в добро състояние. Пазете ръцете си топли по време на работа – това ще намали вредното въздействие при работа с повишени вибрации.

Прахът, отделян при обработването на материали като оловосъдържащи бои, някои видове дървесина, минерали и метали, може да бъде опасен за здравето. Допирът или вдишването на праха може да предизвика алергични реакции и/или заболявания на дихателните пътища на оператора или на намиращи се в близост лица.

Някои видове прах, например от дъб или бук, се считат за канцерогенни, особено в комбинация с добавки за обработка на дървесина (хромат, консерванти). Материал, който съдържа азбест, трябва да се обработва само от специалисти.

- Когато това е възможно, използвайте прахоотвеждане.
- Осигурете добра вентилация на работното място.
- Препоръчва се използването на защитна маска за прах с филтър клас P2.

Спазвайте действащите във вашата страна разпоредби за обработване на съответните материали.

# Общи указания за безопасност при работа с електро- инструменти



**ПРЕДУПРЕЖДЕНИЕ!** Четете всички предупреждения и указания за безопасност. Неспазването на предупрежденията и указанията за безопасност може да предизвика поражение от електрически ток, пожар и/или сериозно нараняване.

Запазете всички предупреждения и указания за бъдещо ползване.

Терминът “електроинструмент” във всички описани по-долу предупреждения се отнася до вашия електроинструмент, захранван от мрежата (с шнур) и/или електроинструмент, захранван от акумулаторна батерия (без шнур).

## 1) Безопасност на работното място

- Поддържайте работното място чисто и добре осветено. Безпорядъкът и недостатъчното осветление са предпоставка за трудови злополуки.
- Не работете с електроинструменти в експлозивни атмосфери при наличие на запалими течности, газове или прах. Електроинструментите образуват искри, които могат да възпламенят праха или парите.
- Дръжте децата и страничните лица на разстояние, когато работите с електроинструмент. Разсейването може да доведе до загуба на контрол от Ваша страна.

## 2) Електрическа безопасност

- Щепселите на електроинструментите трябва да съответстват на контактите. Никога не променяйте щепсела по какъвто и да било начин. Не използвайте каквито и да са адаптерни щепсели за електроинструменти със защитно заземяване. Употребата на непроменени щепсели и съответстващите им контакти намалява риска за поражение от електрически ток.
- Избягвайте допир на тялото до земя или до заземени повърхности, таки-

ва като тръби, радиатори, кухненски печки и хладилници. Ако тялото ви е заземено, съществува повишен риск от поражение от електрически ток.

- Не излагайте електроинструментите на дъжд или във влажна среда. Проникването на вода в електроинструмента повишава риска от поражение от електрически ток.
- Използвайте шнура по предназначение. Никога не използвайте шнура за носене на електроинструмента, опъване или изваждане на щепсела от контактното гнездо. Дръжте шнура далече от топлина, масло, остри ръбове или движещи се части. Увердени или оплетени шнурове повишават риска за поражение от електрически ток.
- При работа с електроинструмента на открито, използвайте удължител, подходящ за работа на открито. Използването на удължител, подходящ за работа на открито, намалява риска от поражение от електрически ток.
- Ако работата с електроинструмента във влажна среда е неизбежна, използвайте предпазно устройство, задействано от остатъчен ток, за прекъсване на захранването. Използването на предпазно устройство намалява риска от поражение от електрически ток.

## 3) Лична безопасност

- Бъдете бдителни, работете с повишено внимание и проявявайте благоразумие, когато работите с електроинструмент. Не използвайте електроинструмента, когато сте уморени или под влияние на наркотици, алкохол или медикаменти. Момент на невнимание при работа с електроинструмент може да предизвика сериозна трудова злополука.
- Използвайте лични предпазни средства. Носете винаги средства за защита на очите. Лични предпазни средства, като маска против прах, неплъзгащи се безопасни обувки, защитен шлем или средства за защита на слуха, използвани при конкретните условия, намаляват риска от трудови злополуки.
- Избягвайте неволно пускане. Убедете се, че прекъсвачът е в изключено положение преди включване към източник на захранване и/или акумулаторна батерия, преди да го



вземете или пренасяйте. Носенето на електроинструмент с пръст върху прекъсвача или свързването към източник на хранене на електроинструмент с прекъсвач във включено положение е предпоставка за трудова злополука.

- d) **Отстранете всеки ключ за затягане или гаечен ключ преди включване на електроинструмента.** Ключ за затягане или гаечен ключ, прикрепен към въртяща се част на електроинструмента, може да предизвика трудова злополука.
- e) **Не се пресягайте.** Поддържайте правилен строеж и равновесие през цялото време. Това позволява по-добро управление на електроинструмента при неочаквани ситуации.
- f) **Носете подходящо работно облекло.** Не носете широки дрехи или бижута. Дръжте косите си, дрехите и ръкавиците далеч от движещи се части. Широки дрехи, бижута или дълги коси могат да се захванат от движещи се части.
- g) **Ако електроинструментът е снабден с приспособления за засмукване и улавяне на прах, убедете се, че те са свързани и правилно използвани.** Използването на тези устройства може да намали свързаните с прах опасности.

#### 4) Използване и грижи за електроинструментите

- a) **Не претоварвайте електроинструмента.** Използвайте правилно избрания електроинструмент според приложението. Правилно избраният електроинструмент работи по-добре и по-безопасно при обявения режим на работа, за който е проектиран.
- b) **Не използвайте електроинструмента, ако прекъсвачът не е превключен във включено и изключено положение.** Всеки електроинструмент, който не може да бъде управляван с прекъсвач, е опасен и трябва да бъде ремонтиран.
- c) **Разединете щепсела от хранващата мрежа преди да извършите всякакви настройки, преди замяна на принадлежности или преди да приберете електроинструмента за съхранение.** Тези предпазни мерки за безопасност намаляват риска от неволно пускане на електроинструмента.

d) **Съхранявайте неизползваните електроинструменти на места, недостъпни за деца и не позволявайте на обслужващи лица, които не познават електроинструмента или не са запознати с тези инструкции, да работят с него.** Електроинструментите са опасни в ръцете на необучени потребители.

e) **Поддържайте електроинструментите.** Проверявайте движещите се части дали функционират нормално и се движат свободно, целостта и изправността на частите, както и за всякакво друго обстоятелство, което може неблагоприятно да повлияе на работата на електроинструмента. Ако е повреден, електроинструментът трябва да бъде ремонтиран преди по-нататъшно използване. Много злополуки са причинени от лошо поддържани електроинструменти.

f) **Поддържайте режещите инструменти остри и чисти.** Правилно поддържаните режещи инструменти с остри режещи ръбове е по-малко вероятно да блокират и са по-лесни за управление.

g) **Използвайте електроинструмента, принадлежностите и частите на инструмента и т.н. в съответствие с тези инструкции и по начин, предвиден за конкретния тип електроинструмент, като вземате предвид работните условия и работата, която трябва да се извършва.** Използването на електроинструмента за работа, различна от тази, за която е проектиран, може да предизвика опасна ситуация.

#### 5) Обслужване

a) **Поддържайте вашия електроинструмент при квалифициран специалист по ремонта, като използвате само оригиналните резервни части.** Това осигурява запазването на безопасността на електроинструмента.

# Допълнителни правила за безопасност при работа със саблен трион



**ПРЕДУПРЕЖДЕНИЕ:** Преди да свържете електроинструмента към захранващата мрежа, убедете се че захранващото напрежение отговаря на посоченото върху табелката с технически данни на електроинструмента.

- Източник на захранване с напрежение, по-високо от посоченото за електроинструмента, може да предизвика както сериозно поражение от електрически ток върху оператора, така и повреда на електроинструмента.
- Ако имате някакви колебания, не поставяйте щепсела на електроинструмента в контактното гнездо.
- Използването на източник на захранване с напрежение, по-ниско от обозначеното върху табелката на електроинструмента, ще увреди електродвигателя.



**Използвайте средства за защита на слуха.** *Интензивният шум по време на работа може да предизвика слухови увреждания.*



**По време на работа използвайте средства за защита на зрението, за да се предпазите от хвърчащи частици.** *Носете защитни очила.*



**Вземете предпазни мерки срещу вдишване на прах.** *Някои материали могат да съдържат токсични съставки. Носете прахозащитна маска. Използвайте устройство за прахоотвеждане, ако е възможно присъединяването му към електроинструмента.*



**Използвайте защитни ръкавици.**

- Дръжте електроинструмента само за изолираните повърхности за захващане когато извършвате операция, при която режещата принадлежност може да допре до скрита ел.инсталация или до собствения шнур. *Допирът на реже-*

*щата принадлежност до проводник под напрежение ще постави откритите метални части на електроинструмента под напрежение и операторът ще получи токов удар.*



**ПРЕДУПРЕЖДЕНИЕ:** Винаги изключвайте електроинструмента и изваждайте щепсела от контакта преди извършване на всякаква настройка, обслужване или поддръжка.

- След продължителна работа външните метални части и принадлежностите могат да се нагорещат. Не докосвайте работния инструмент или обработвания детайл веднага след работа - те могат да бъдат извънредно горещи и да получите изгаряне на кожата.
- Пазете ръцете си от движещи се части.
- По възможност винаги използвайте скоби или менгеме за закрепване на обработвания детайл.
- Винаги изключвайте сабления трион и изчаквайте докато ножът спре да се движи, преди да оставите машината настрана.
- Не претоварвайте машината: работете с умерен натиск. Претоварването е резултат от прилагане на прекомерен натиск, при което електродвигателят забавя въртенето си това е предпоставка за неефекасна работа и евентуална повреда на електродвигателя на машината.
- В работната зона никога не трябва да се оставят парцали, шнурове, кълчища и пр.
- Преди да използвате електроинструмента върху конкретен детайл, го включете и го оставете да поработи кратко време, за да се убедите че функционира нормално. По време на работа електроинструментът трябва да се намира поне на 200 mm от лицето и тялото.
- Винаги поддържайте стабилно положение на тялото си. Когато работите с електроинструмента на височина, убедете се, че под вас няма никой.
- Дръжте здраво електроинструмента.
- Електроинструментът трябва да се използва само по предназначение. Всякаква друга употреба, различаваща се от описаната в тази инструкция, ще се счита за неправилна употреба. Отговорността за всякаква повреда или нараняване, произтичащи от неправилна употреба, ще се носи от потребителя, а не от производителя.

- За да експлоатирате правилно този електроинструмент, трябва да съблюдавате правилата за безопасност, общите инструкции и указанията за работа, посочени тук. Всички потребители трябва да са запознати с тази инструкция за експлоатация и информирани за потенциалните рискове при работата с електроинструмента. Деца и физически слаби хора не трябва да използват електроинструмента. Децата трябва да бъдат под непрекъснато наблюдение ако се намират в близост до място, където се работи с електроинструмента. Задължително е да предприемете и превантивни мерки за безопасност. Същото се отнася и за спазването на основните правила за професионалното здраве и безопасност.
- Производителят не носи отговорност за извършени от потребителя промени върху електроинструмента или за повреди, предизвикани от подобни промени.
- Електроинструментът е предназначен за работа в помещения и зони с нормална пожарна опасност съгласно "НАРЕДБА № 13-1971 за строително-технически правила и норми за осигуряване на безопасност при пожар". Не се допуска използването му във взривоопасна и пожароопасна среда, при температура на околния въздух над 40°C, в особено влажна среда, при наличие на валежи и в химически активна среда. Работното място трябва да е добре осветено.

## Запознаване с електроинструмента

Преди да започнете да работите с електроинструмента се запознайте с всички оперативни особености и условия за безопасност. Използвайте електроинструмента и принадлежностите му само по предназначение. Всяко друго приложение е изрично забранено.

1. Опора
2. Гумен кожух
3. Вентилационни отвори
4. Задна ръкохватка
5. Блокиращ бутон
6. Прекъсвач
7. Предпазител на шнура
8. Ключ шестстенен
9. Държач
10. Винт
11. Планка

12. Бутало
13. Нож
14. Центриращ щифт
15. Присъединителен отвор
16. Профилен канал
17. Ограничителен щифт
18. Затягащ винт
19. Ос
20. Скоба
21. Електронен регулатор на скоростта (TSB 1300CE)

## Указания за работа

Този електроинструмент се захранва само с еднофазно променливо напрежение. Той е с двойна изолация съгласно EN 60745-1 и IEC 60745 и може да се присъединява към контакти без защитни клеми. Радиосмущенията съответстват на Директивата за електромагнитна съвместимост.

Този електроинструмент е предназначен за рязане на тръби и профили от метал и пластмаса, дърво и леки строителни материали (блокчета от газобетон), посредством подходящи ножове.

### ПРЕДИ ДА ЗАПОЧНЕТЕ РАБОТА

- Проверете дали напрежението на електрическата мрежа отговаря на това, означено върху табелката с технически данни на електроинструмента.
- Проверете в какво положение се намира прекъсвачът. Електроинструментът трябва да се присъединява и отделя от захранващата мрежа само при изключен прекъсвач. Ако поставите щепсела в контакт докато прекъсвачът е във включено положение, електроинструментът веднага ще се задейства, което е предпоставка за злополука.
- Убедете се в изправността на захранващия кабел и щепсел. Ако захранващият кабел е повреден, замяната трябва да се извърши от производителя или от негов сервизен специалист, за да се избегнат опасностите от замяната.



**ПРЕДУПРЕЖДЕНИЕ:** Винаги изключвайте електроинструмента и изваж-дайте щепсела от контакта преди извършване на всякава настройка, обслужване или поддръжка.

## ИЗБОР НА НОЖ

Ножът се избира в зависимост от вида на обработвания материал - за рязане на метал, за дърво, универсален и др.

Всеки от изброените по-горе типове ножове се предлага с различни дължини на режещата част.

При избора на подходящ нож, трябва да се вземе предвид обработвания материал (метал, дърво и т.н) и необходимата дължина. Изберете дължината на ножа така, че той задължително да се подава извън обработвания материал поне с 35 mm. При спазване на това правило ще намалите до минимум вероятността от нараняване по време на работа (фиг.1).

За да постигнете максимална производителност и точен срез, да запазите заточването на ножа и увеличите неговата дълготрайност, винаги използвайте нож с дължина и предназначение, подходящи за конкретната операция.



**ПРЕДУПРЕЖДЕНИЕ:** В процеса на рязане ножът се загрява до висока температура. Не докосвайте ножа веднага след преустановяване на работа, тъй като е възможно да получите изгаряне. Препоръчваме да оставите триона за известно време, докато ножът се охлади, както и да използвате ръкавици при смяната на нож.

## ПОСТАВЯНЕ И СМЯНА НА НОЖА

1. Уверете се, че щепселът на захранващия кабел е изваден от контакта на електрическата мрежа.

2. Извадете шестостенния ключ (8) от държача му (9).

3. Поставете машината да легне на твърда равна повърхност, както е показано на Фиг. 2 При поставяне и смяна на ножа (13) не се допуска машината да се поставя върху предпазителя на шнура (7) - това може да доведе

до повреда в захранващия шнур и риск от поражение от електрически ток.

4. Развийте винта (10), докато главата му опре в стената на капака.

5. Внимателно извадете стария нож (13).

6. Поставете новия нож (13) така, че центриращият щифт (14) да влезе в отвора за центроване в опашката на ножа.

7. Внимателно завивайте затягащия винт (10), докато планката (11) достигне ножа (13).

8. Убедете се, че ножът (13) е влязъл добре в канала си в планката (11).

9. Стегнете максимално силно винта (10).

10. Поставете шестостенния ключ (8) в държача му (9).

Внимателното и точно изпълнение на гореописаните действия гарантират стабилно и надеждно фиксиране на ножа към машината.

Фиксирането на ножа се осъществява от силите действащи между него, буталото и планката, както и точно изработения канал в планката, копиращ опашката на ножа. Центриращият щифт служи само за първоначално ориентиране на ножа при монтаж и не е предназначен да поема силови натоварвания в процеса на рязане.

При неправилен монтаж на ножа, центриращият щифт ще понесе силови натоварвания, при което може да се деформира или среже, след което машината трябва да се предаде в сервиз за подмяна на центриращия щифт.

**Не се допуска работа с машина с деформиран или липсващ центриращ щифт!**

Ако затягащият винт не може да затегне с достатъчна сила механизма за присъединяване на ножа поради износване на шестоъгълното гнездо във винта, износване на резбата му или износване на шестостенния ключ, това ще доведе до деформиране на центриращия щифт или сръзването му. Затова износеният затягащ винт или шестостенният ключ трябва своевременно да бъдат подменяни с нови.

## ПУСКАНЕ - СПИРАНЕ



**ПРЕДУПРЕЖДЕНИЕ:** Преди да свържете електроинструмента към захранващата мрежа, убедете се че захранващото напрежение отговаря на посоченото върху табелката с технически данни на електроинструмента.

- Пускане: Вземете триона в ръце и го дръ-

жете здраво и стабилно. Уверете се, че ножът не е в досег с други обекти. Избутайте напред блокиращия бутон (5), след което натиснете прекъсвача (6).

Машината е снабдена с електроника за плавен пуск - първоначално машината тръгва с по-ниски обороти и след 3-4 секунди достига работните си обороти.

- Спиране: За да спрете работата на машината отпуснете прекъсвача (6).

## РЕГУЛИРАНЕ ЧЕСТОТАТА НА ХОДОВЕТЕ

Положение на регулатора	Брой ходове на празен ход	Метал	Дърво	Пластмаса	Керамика, газобетон
<b>G</b>	2200	+	+	-	-
<b>F</b>	2050	+	+	-	-
<b>E</b>	1750	+	-	-	-
<b>D</b>	1500	+	-	-	+
<b>C</b>	1200	+	-	+	+
<b>B</b>	950	+	-	+	+
<b>A</b>	700	+	-	+	+

Оптималната стойност на скоростта за различни материали се различава в зависимост от множество фактори (обработвания материал, вида на използвания нож за рязане, достъпност до зоната на рязане и т.н).

Най-често оптималната скорост за даденото приложение се постига опитно в процеса на работа.

Използвайте информацията от таблицата при първоначален избор на скоростта. Завъртете колелцето на електронния регулатор на скоростта така, че избраното от Вас положение (буква) да застане срещу маркера (▼).

## РЯЗАНЕ

Винаги дръжте електроинструмента както е показано на Фиг.3 - за да избегнете възможността за поражение от електрически ток. Ако по време на работа трионът влезе в контакт с проводник под напрежение, тогава редукторът на машината, предната опора и ножът стават токопроводящи. Дръжте машината за задната ръкохватка (4) и гумения кожух (2), за да намалите до минимум вероятността от поражение от електрически ток.

### Рязане със скоба за перпендикулярно рязане

Присъединете скобата (20) за перпендику-

лярно рязане към машината, така че оста (19) на скобата да влезе в присъединителния отвор (15) на машината, а ограничителният щифт (17) да влезе в профилния канал (16). Погрижете се призмата на скобата (20) за перпендикулярно рязане да е чиста от стружки и други замърсители, тъй като това може да доведе до неправилно позициониране на обработваемия детайл и няма да постигнете перпендикулярност на среза.

Поставете машината заедно със скобата (20) за перпендикулярно рязане върху тръбата, така че затягащият винт да стои под прав

ъгъл спрямо тръбата.

Притегнете добре със затягащият винт, но не деформирайте тръбата.

В зависимост от това, с коя ръка Ви е по-удобно да работите, с едната ръка хванете ръкохватката на затягащия винт (18), а с другата хванете ръкохватката (4) на машината и включете машината.

Докато държите ръкохватката на машината (4) и прекъсвача във включено положение, изтегляйте задния край на машината, така че да започне рязане. Теглете задния край на машината до пълното прорязване на обработвания детайл.

За постигане на по-добри резултати, особено при отрязването на тръби с диаметри по-големи от 2", препоръчваме да включвате машината когато зъбите на ножа лежат върху обработвания детайл.

За да постигнете оптимална производителност, скорост на рязане и за да щадите ножа, регулирайте натиска върху обработвания детайл чрез по-бавно или по-бързо изтегляне на задния край на машината.

Прекалено силният натиск не увеличава скоростта на рязане.

### Свободно рязане

Препоръчваме във всеки възможен случай да закрепвате здраво обработвания матери-

ал в менгеме или друго затягащо приспособление.

За получаване на прави и чисти срезове в метал и при рязане по крива линия (при рязане на дърво, пластмаса, газобетон и др.) е необходимо през цялото време на рязане на материала опората (1) да бъде здраво притисната към обработвания материал.

Използвайте само остри ножове в безупречно състояние, предназначени за съответния материал и с необходимата дължина.

В процеса на рязане се старайте да осигурявате равномерен натиск. Той е предпоставка за бързо, лесно и точно отрязване. Прекалено силният натиск не увеличава скоростта на рязане, а води до претоварване на машината и намалява живота на ножа.

По време на рязане дръжте машината здраво и със силно притисната опора (1) към обработвания материал.

По време на работа захранващият шнур на машината трябва да бъде винаги зад нея и да не попада в зоната на рязане.

#### **Изрязване на отвори (Фиг. 4)**

При рязане на меко дърво и леки строителни материали е възможно първо да врежете ножа в материала, след което да оформите отвор в обработвания материал. За целта в изключено състояние на триона поставете долния му край на опората (1), а върха на ножа (13) – върху началото на среза. Включете триона и бавно и внимателно започнете да повдигате задния край на триона, като се стремите опората (1) да остане в постоянен контакт с обработвания материал. Завъртете триона, докато ножът (13) се вреже напълно в обработвания материал, след което продължете рязането в желаната посока.

При работа с по-твърди материали използването на техниката с връзване в материала не се препоръчва, тъй като е възможно да се нараните.

За да започнете изрязването на отвор в „твърд“ материал, пробийте предварително отвор, съобразен с размерите на използвания нож, от който да започне рязането.

Важно е опората да е здраво притисната към материала по време на рязане. С това ще постигнете равномерен процес и рязане с пониски вибрации.

#### **Използване на смазочни средства**

При рязане на стоманени детайли (тръби, профили и др.) трябва да използвате смазочно охлаждащи течности с нисък вискозитет, които подпомагат отстраняването на стружки и намаляват температурата в зоната на рязане.

Използването на смазочно охлаждащи течности удължава живота на ножа.

Не използвайте смазочно охлаждащи течности с висок вискозитет (гъсти масла и грес), тъй като те затрудняват отвеждането на стружките и топлината от зоната на рязане, като намаляват живота на ножа.

#### **Интензивност на използване**

Електроинструментът се задвижва от електродвигател, който осигурява достатъчна мощност за отрязване на стоманена тръба 6" (Ø170). Отделената в процеса на работа енергия при тази операция, както и при рязане на плътни метални детайли и дърво с размер над Ø120 mm, води до значително повишаване на температурата на редуктора на машината.

Въпреки използването на специална високотемпературна грес в редуктора на машината, превишаването на температурата над критична стойност води до изпаряване на маслото от греста и поява на видим пушек, излизащ от редуктора на машината. Това е явен признак, че сте претоварили термично електроинструмента. При поява на този признак е необходимо да се обърнете към най-близкия сервиз на SPARKY, в който да диагностицират състоянието на вашия електроинструмент.

За да избегнете термично претоварване на електроинструмента препоръчваме след всяка по-продължителна операция да изключите електроинструмента, докато достигне стайна температура. Добър критерий за определяне на началото на термично претоварване на инструмента е ако усещате високата температура на редуктора дори при използване на ръкавици.

### **ПРИНАДЛЕЖНОСТИ, КОИТО МОГАТ ДА БЪДАТ ИЗПОЛЗВАНИ С ТОЗИ ЕЛЕКТРОИНСТРУМЕНТ**

Скоба (от 2" до 6");  
Шестостенен ключ (S4);  
Ножове.

## **Поддръжка**



**ПРЕДУПРЕЖДЕНИЕ:** Винаги изключвайте електроинструмента и изваждайте щепсела от контакта преди всякаква проверка или поддръжка.

## ПОДМЯНА НА ЧЕТКИТЕ

Електроинструментът е снабден със самоизключващи се четки. Когато четките се износват, двете четки трябва да се подменят едновременно с оригинални четки в сервиз на SPARKY за гаранционна и извънгаранционна поддръжка.

## ОБЩА ПРОВЕРКА

Проверявайте редовно всички крепежни елементи и се уверете, че те са здраво притегнати. В случай, че някой от винтовете се е разхлабил, го затегнете незабавно, за да избегнете рискови ситуации.

Ако захранващият кабел е повреден, замяната трябва да се извърши от производителя или негов сервизен специалист, за да се избегнат опасностите от замяната.

## ПОЧИСТВАНЕ

За безопасна работа поддържайте винаги чисти машината и вентилационните отвори (3).

Редовно проверявайте дали във вентилационните отвори на електродвигателя или около превключвателите не е проникнал прах или чужди тела. Използвайте мека четка и/или струя сгъстен въздух, за да отстраните събралия се прах. За да предпазите очите си, по време на почистването носете защитни очила.

Ако корпусът на машината се нуждае от почистване, извършете го с мека влажна кърпа. Може да се използва слаб препарат за миене.



**ПРЕДУПРЕЖДЕНИЕ:** Не се допуска употребата на спирт, бензин или други разтворители. Никога не използвайте разяждащи препарати за почистване на пластмасовите части.



**ПРЕДУПРЕЖДЕНИЕ:** Не се допуска влизането на вода в контакт с машината.

**ВАЖНО!** За да се осигури безопасната работа с електроинструмента и неговата надеждност, всички дейности по ремонта, поддръжката и регулирането (включително проверката и подмяната на четките) трябва да се извършват в оторизираните сервизи на

SPARKY с използване само на оригинални резервни части.

## Гаранция

Гаранционният срок на електроинструментите SPARKY се определя в гаранционна карта.

Неизправности, появили се в следствие на естествено износване, претоварване или неправилна експлоатация, се изключват от гаранционните задължения.

Неизправности, появили се в следствие на влагане на некачествени материали и/или производствени грешки, се отстраняват без допълнително заплащане чрез замяна или ремонт.

Рекламация на дефектирал електроинструмент SPARKY се признава, когато машината се върне на доставчика или се представи на оторизиран гаранционен сервиз в неразглобено (първоначално) състояние.

## Забележки

Внимателно прочетете цялата инструкция за експлоатация преди да използвате това изделие.

Производителят си запазва правото да въвежда подобрения и промени в своите изделия и да променя спецификациите без предупреждение.

Спецификациите могат да се различават за отделните страни.