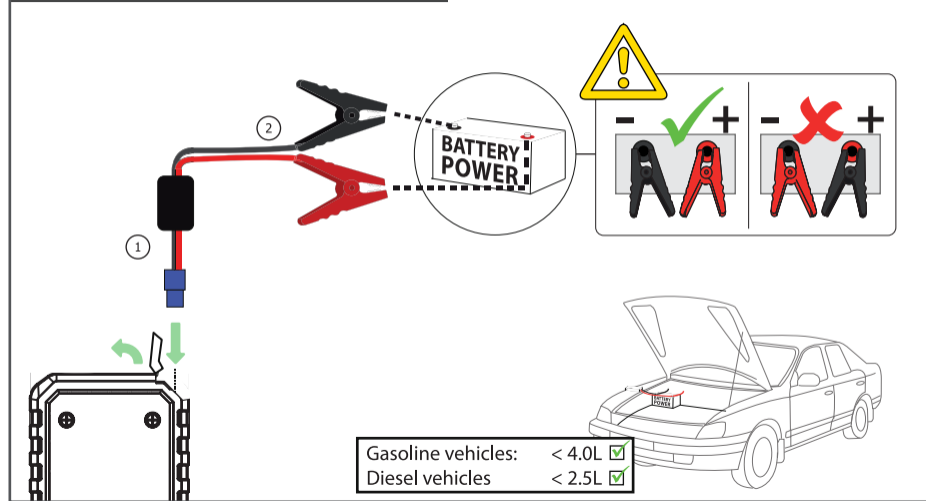
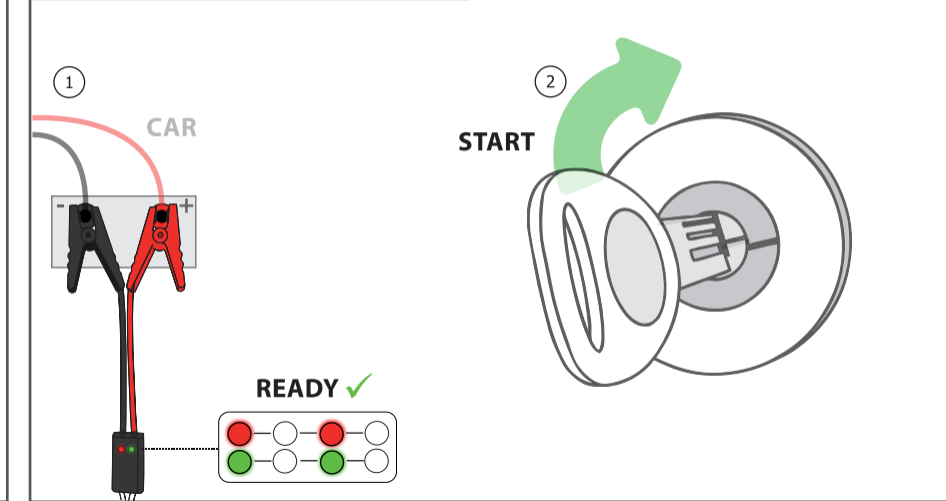


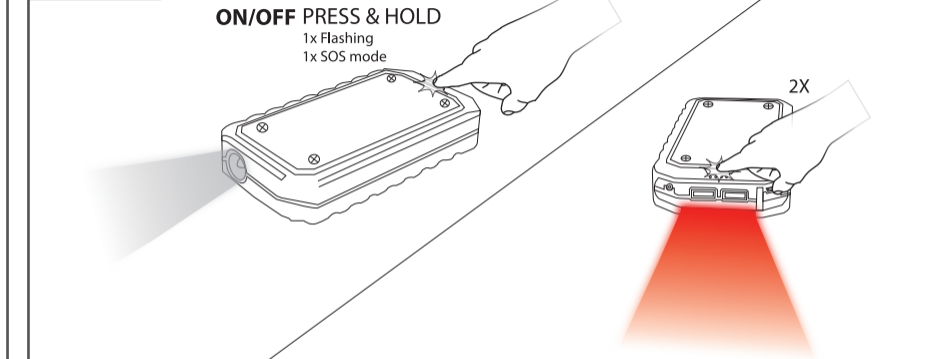
#### 4. EMERGENCY START YOUR CAR 1/2



#### 5. EMERGENCY START YOUR CAR 2/2



#### 6. LIGHTS



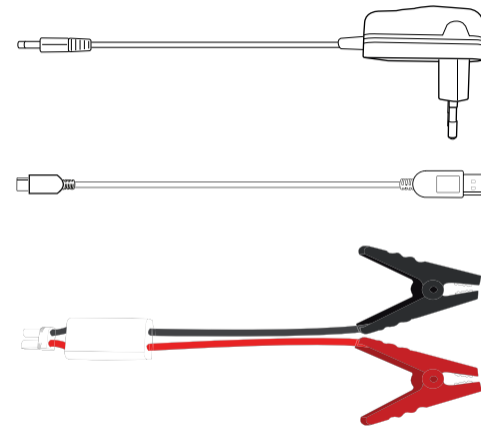
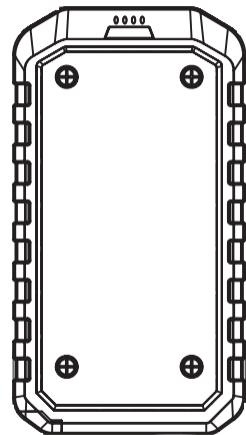
#### FAQ

Frequently asked questions  
[www.trust.com/20944/faq](http://www.trust.com/20944/faq)

Trust International BV, Laan van Barcelona 600 3317DD Dordrecht, NL  
 © 05-07-2016 Trust International B.V. All rights reserved.

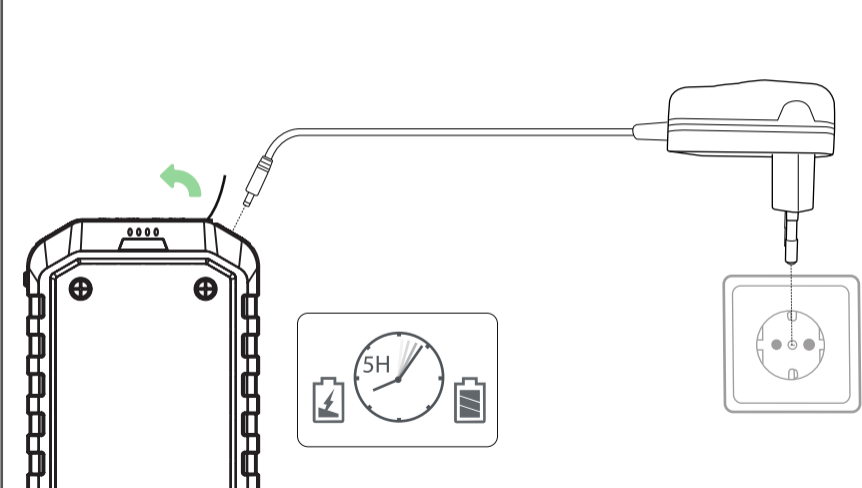


**USER GUIDE**  
**CAR JUMP STARTER**  
**POWERBANK 10.000**



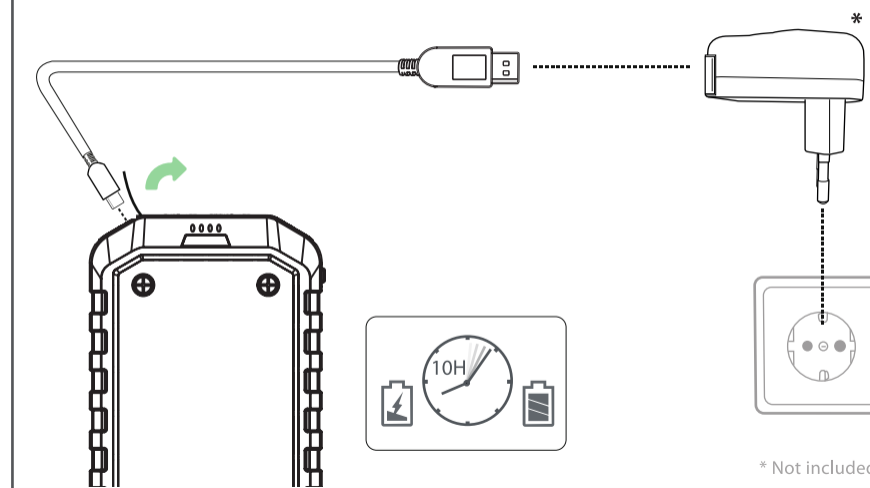
### 1. CHARGING POWERBANK

OPTION 1 - Wallpower



### 2. CHARGING POWERBANK

OPTION 2 - USB power



### 3. CHARGING DEVICE

