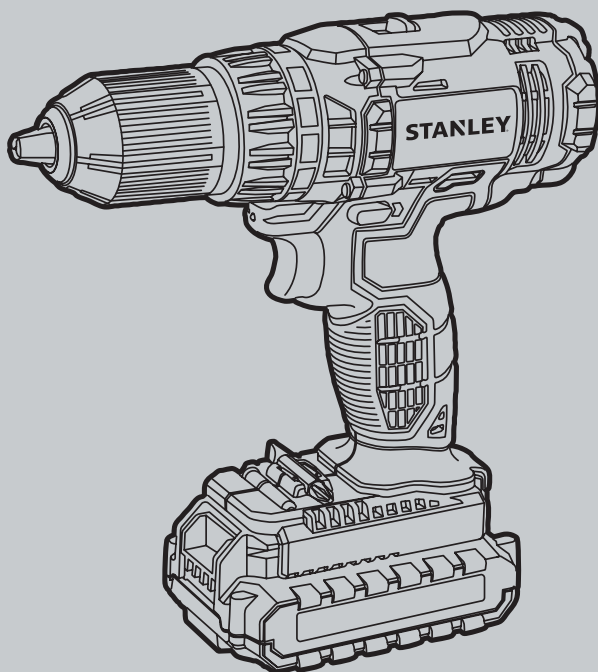


# STANLEY



SCD20

English	4
Turkish	14
Russian	24
Ukrainian	37

FIG. A

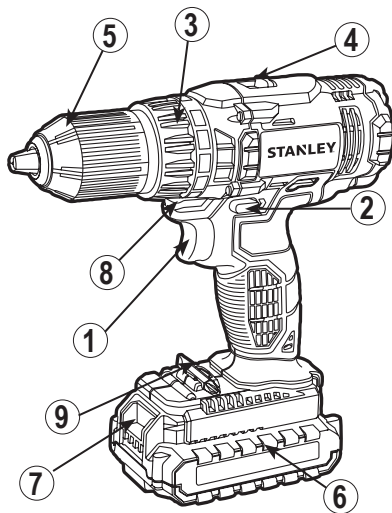


FIG. B

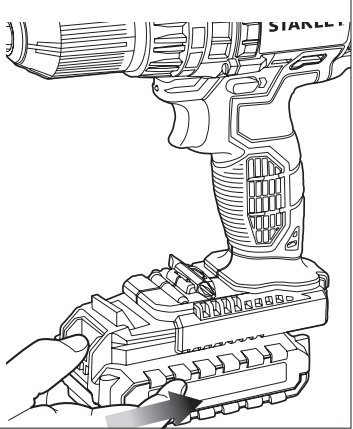


FIG. C

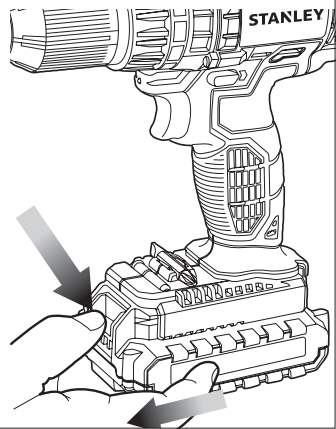


FIG. D

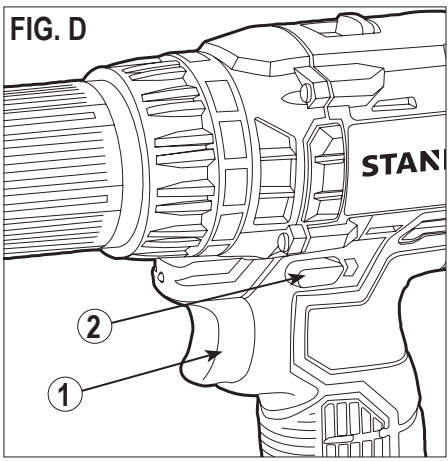
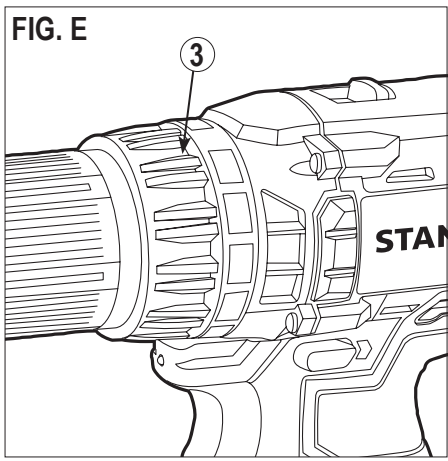
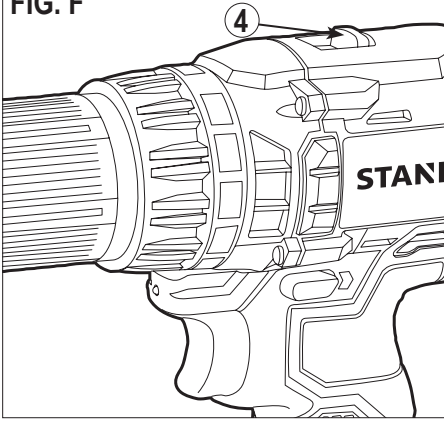


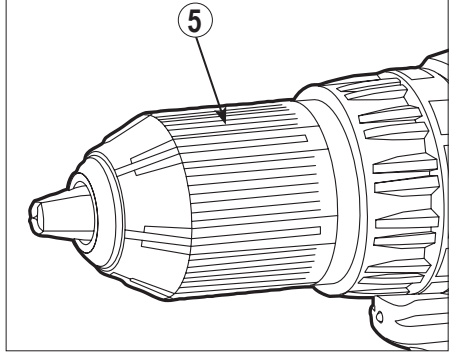
FIG. E



**FIG. F**



**FIG. G**



## Intended use

Your STANLEY drill/screwdriver SCD20 has been designed for screwdriving applications and for drilling in wood, metal and plastics. This tool is intended for semi-professional and professional use.

## Safety instructions

### General Power Tool Safety Warnings



**WARNING! Read all safety warnings and instructions.** Failure to follow the warnings and instructions may result in electric shock, fire and/or serious injury.

#### SAVE ALL WARNINGS AND INSTRUCTIONS FOR FUTURE REFERENCE.

The term "power tool" in the warnings refers to your mains-operated (corded) power tool or battery-operated (cordless) power tool.

#### 1. Work area safety

- a. **Keep work area clean and well lit.** Cluttered or dark areas invite accidents.
- b. **Do not operate power tools in explosive atmospheres, such as in the presence of flammable liquids, gases or dust.** Power tools create sparks which may ignite the dust or fumes.
- c. **Keep children and bystanders away while operating a power tool.** Distractions can cause you to lose control.

#### 2. Electrical safety

- a. **Power tool plugs must match the outlet. Never modify the plug in any way. Do not use any adapter plugs with earthed (grounded) power tools.** Unmodified plugs and matching outlets will reduce risk of electric shock.
- b. **Avoid body contact with earthed or grounded surfaces such as pipes, radiators, ranges and refrigerators.** There is an increased risk of electric shock if your body is earthed or grounded.
- c. **Do not expose power tools to rain or wet conditions.** Water entering a power tool will increase the risk of electric shock.
- d. **Do not abuse the cord. Never use the cord for carrying, pulling or unplugging the power tool. Keep cord away from heat, oil, sharp edges or moving parts.** Damaged or entangled cords increase the risk of electric shock.

- e. **When operating a power tool outdoors, use an extension cord suitable for outdoor use.** Use of a cord suitable for outdoor use reduces the risk of electric shock.
- f. **If operating a power tool in a damp location is unavoidable, use a residual current device (RCD) protected supply.** Use of an RCD reduces the risk of electric shock.

#### 3. Personal safety

- a. **Stay alert, watch what you are doing and use common sense when operating a power tool. Do not use a power tool while you are tired or under the influence of drugs, alcohol or medication.** A moment of inattention while operating power tools may result in serious personal injury.
- b. **Use personal protective equipment. Always wear eye protection.** Protective equipment such as dust mask, non-skid safety shoes, hard hat, or hearing protection used for appropriate conditions will reduce personal injuries.
- c. **Prevent unintentional starting. Ensure the switch is in the off-position before connecting to power source and/or battery pack, picking up or carrying the tool.** Carrying power tools with your finger on the switch or energising power tools that have the switch on invites accidents.
- d. **Remove any adjusting key or wrench before turning the power tool on.** A wrench or a key left attached to a rotating part of the power tool may result in personal injury.
- e. **Do not overreach. Keep proper footing and balance at all times.** This enables better control of the power tool in unexpected situations.
- f. **Dress properly. Do not wear loose clothing or jewellery. Keep your hair, clothing and gloves away from moving parts.** Loose clothes, jewellery or long hair can be caught in moving parts.
- g. **If devices are provided for the connection of dust extraction and collection facilities, ensure these are connected and properly used.** Use of dust collection can reduce dust-related hazards.

#### 4. Power tool use and care

- a. **Do not force the power tool. Use the correct power tool for your application.** The correct power tool will do the job better and safer at the rate for which it was designed.
- b. **Do not use the power tool if the switch does not turn it on and off.** Any power tool that cannot be controlled with the switch is dangerous and must be repaired.
- c. **Disconnect the plug from the power source and/or the battery pack from the power tool before making any adjustments, changing accessories, or storing power**

- tools. Such preventive safety measures reduce the risk of starting the power tool accidentally.
- d. **Store idle power tools out of the reach of children and do not allow persons unfamiliar with the power tool or these instructions to operate the power tool.** Power tools are dangerous in the hands of untrained users.
  - e. **Maintain power tools. Check for misalignment or binding of moving parts, breakage of parts and any other condition that may affect the power tools operation. If damaged, have the power tool repaired before use.** Many accidents are caused by poorly maintained power tools.
  - f. **Keep cutting tools sharp and clean.** Properly maintained cutting tools with sharp cutting edges are less likely to bind and are easier to control.
  - g. **Use the power tool, accessories and tool bits etc. in accordance with these instructions, taking into account the working conditions and the work to be performed.** Use of the power tool for operations different from those intended could result in a hazardous situation.
- 5. Battery tool use and care**
- a. **Recharge only with the charger specified by the manufacturer.** A charger A charger that is suitable for one type of battery pack may create a risk of fire when used with another battery pack.
  - b. **Use power tools only with specifically designated battery packs.** Use of any other battery packs may create a risk of injury and fire.
  - c. **When battery pack is not in use, keep it away from other metal objects like paper clips, coins, keys, nails, screws or other small metal objects that can make a connection from one terminal to another.** Shorting the battery terminals together may cause burns or a fire.
  - d. **Under abusive conditions, liquid may be ejected from the battery, avoid contact. If contact accidentally occurs, flush with water. If liquid contacts eyes, additionally seek medical help.** Liquid ejected from the battery may cause irritation or burns.

## 6. Service

- a. **Have your power tool serviced by a qualified repair person using only identical replacement parts.** This will ensure that the safety of the power tool is maintained.

## Additional Specific Safety Rules for Drill/Drivers

- **Wear ear protectors when impact drilling.** Exposure to noise can cause hearing loss.
- **Use auxiliary handle(s), if supplied with the tool.** Loss of control can cause personal injury.

- **Hold power tool by insulated gripping surfaces when performing an operation where the cutting accessory may contact hidden wiring.** Cutting accessory contacting a "live" wire may make exposed metal parts of the power tool "live" and could give the operator an electric shock.

## Residual Risks








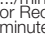



In spite of the application of the relevant safety regulations and the implementation of safety devices, certain residual risks cannot be avoided.

These are:

- Impairment of hearing.
- Risk of personal injury due to flying particles.
- Risk of burns due to accessories becoming hot during operation.
- Risk of personal injury due to prolonged use.

## LABELS ON TOOL

The label on your tool may include the following symbols along with the date code:

	Read Instructions Manual	W .....Watts min .....minutes	 ....Earthing Terminal
	Use Eye Protection	 .....Alternating Current	 ....Safety Alert Symbol
	Use Ear Protection	 .....Direct Current	 ...../min... Revolutions or Reciprocation per minute
V ..... Volts		 .....No-No-Load Speed	 ....The charger is intended for indoor use only.
A .....Amperes		 .....Class II Construction	
Hz .....Hertz			

## POSITION OF DATE CODE

The Date Code, which also includes the year of manufacture, is printed into the housing.

Example □

2015 XX JN  
Year of manufacturing

## Important Safety Instructions for All Battery Chargers

**SAVE THESE INSTRUCTIONS:** This manual contains important safety and operating instructions for the SC201 battery chargers.

- Before using charger, read all instructions and cautionary markings on charger, battery pack, and product using battery pack.



**WARNING:** Shock hazard. Do not allow any liquid to get inside charger. Electric shock may result.



**CAUTION:** Burn hazard. To reduce the risk of injury, charge only STANLEY rechargeable batteries. Other types of batteries may burst causing personal injury and damage.



**CAUTION:** Children should be supervised to ensure that they do not play with the appliance.

**NOTICE:** Under certain conditions, with the charger plugged in to the power supply, the charger can be shorted by foreign material. Foreign materials of a conductive nature such as, but not limited to, grinding dust, metal chips, steel wool, aluminum foil, or any buildup of metallic particles should be kept away from charger cavities. Always unplug the charger from the power supply when there is no battery pack in the cavity. Unplug charger before attempting to clean.

- **DO NOT attempt to charge the battery pack with any chargers other than the ones in this manual.** The charger and battery pack are specifically designed to work together.
- **These chargers are not intended for any uses other than charging STANLEY rechargeable batteries.** Any other uses may result in risk of fire, electric shock or electrocution.
- **Do not expose charger to rain or snow.**
- **Pull by plug rather than cord when disconnecting charger.** This will reduce risk of damage to electric plug and cord.
- **Make sure that cord is located so that it will not be stepped on, tripped over, or otherwise subjected to damage or stress.**
- **Do not use an extension cord unless it is absolutely necessary.** Use of improper extension cord could result in risk of fire, electric shock, or electrocution.
- **Do not place any object on top of charger or place the charger on a soft surface that might block the ventilation slots and result in excessive internal heat.** Place the charger in a position away from any heat source. The charger is ventilated through slots in the top and the bottom of the housing.
- **Do not operate charger with damaged cord or plug** — have them replaced immediately.
- **Do not operate charger if it has received a sharp blow, been dropped, or otherwise damaged in any way.** Take it to an authorised service centre.
- **Do not disassemble charger; take it to an authorised service centre when service or repair is required.** Incorrect reassembly may result in a risk of electric

shock, electrocution or fire.

- In case of damaged power supply cord the supply cord must be replaced immediately by the manufacturer, its service agent or similar qualified person to prevent any hazard.
- **Disconnect the charger from the outlet before attempting any cleaning. This will reduce the risk of electric shock.** Removing the battery pack will not reduce this risk.
- **NEVER** attempt to connect 2 chargers together.
- **The charger is designed to operate on standard household electrical power. Do not attempt to use it on any other voltage.** This does not apply to the vehicular charger.

## SAVE THESE INSTRUCTIONS

### Chargers

The SC201/ SC202 accept 18V batteries.

These chargers require no adjustment and are designed to be as easy as possible to operate.

### Charging Procedure (fig. 2)

1. Plug the charger (j) into an appropriate outlet before inserting battery pack.
2. Insert the battery pack (g) into the charger. The red (charging) light will blink continuously indicating that the charging process has started.
3. The completion of charge will be indicated by the red light remaining ON continuously. The pack is fully charged and may be used at this time or left in the charger.

**NOTE:** To ensure maximum performance and life of Li-Ion batteries, charge the battery pack fully before first use.

### Charging Process

Refer the tables below for the state of charge of the battery pack.

State of charge—SC201	
	charging — — — — —
	fully charged —————
	hot/cold pack delay — — — — —

#### HOT/COLD PACK DELAY

##### SC201/ SC202

When the charger detects a battery that is hot, it automatically delays charging until the battery has cooled.

When the charger detects a battery that is cold, it automatically delays charging until the battery has warmed.

The red light will continue to blink, but a yellow indicator light will be illuminated during this operation. Once the battery has cooled, the yellow light will turn off and the charger will resume the charging procedure.

Stanley Li-Ion tools are designed with an Electronic Protection System that will protect the battery against overloading, overheating or deep discharge.

The tool will automatically turn off if the Electronic Protection System engages. If this occurs, place the Li-Ion battery on the charger until it is fully charged.

### LI-ION BATTERY PACKS ONLY

Li-Ion batteries are designed with an Electronic Protection System that will protect the battery against overloading, overheating or deep discharge.

The tool will automatically turn off if the Electronic Protection System engages. If this occurs, place the Li-Ion battery on the charger until it is fully charged.

## Important Safety Instructions for All Battery Packs

When ordering replacement battery packs, be sure to include catalog number and voltage.

The battery pack is not fully charged out of the carton. Before using the battery pack and charger, read the safety instructions below. Then follow charging procedures outlined.

## READ ALL INSTRUCTIONS

- **Do not charge or use battery in explosive atmospheres, such as in the presence of flammable liquids, gases or dust.** Inserting or removing the battery from the charger may ignite the dust or fumes.
- **Never force battery pack into charger. Do not modify battery pack in any way to fit into a non-compatible charger as battery pack may rupture causing serious personal injury.**
- Charge the battery packs only in STANLEY chargers.
- **DO NOT** splash or immerse in water or other liquids.
- **Do not store or use the tool and battery pack in locations where the temperature may reach or exceed 40 °C (105 °F) (such as outside sheds or metal buildings in summer).**



**WARNING:** Never attempt to open the battery pack for any reason. If battery pack case is cracked or damaged, do not insert into charger. Do not crush, drop or damage battery pack. Do not use a battery pack or charger that has received a sharp blow, been dropped, run over or damaged in any way (i.e., pierced with a nail,

hit with a hammer, stepped on). Electric shock or electrocution may result. Damaged battery packs should be returned to service centre for recycling.



**CAUTION:** When not in use, place tool on its side on a stable surface where it will not cause a tripping or falling hazard. Some tools with large battery packs will stand upright on the battery pack but may be easily knocked over.

### SPECIFIC SAFETY INSTRUCTIONS FOR LITHIUM ION (Li-Ion)

- **Do not incinerate the battery pack even if it is severely damaged or is completely worn out.** The battery pack can explode in a fire. Toxic fumes and materials are created when lithium ion battery packs are burned.
- **If battery contents come into contact with the skin, immediately wash area with mild soap and water.** If battery liquid gets into the eye, rinse water over the open eye for 15 minutes or until irritation ceases. If medical attention is needed, the battery electrolyte is composed of a mixture of liquid organic carbonates and lithium salts.
- **Contents of opened battery cells may cause respiratory irritation.** Provide fresh air. If symptoms persists, seek medical attention.



**WARNING:** Burn hazard. Battery liquid may be flammable if exposed to spark or flame.

## Transportation

STANLEY batteries comply with all applicable shipping regulations as prescribed by industry and legal standards which include UN Recommendations on the Transport of Dangerous Goods; International Air Transport Association (IATA) Dangerous Goods Regulations, International Maritime Dangerous Goods (IMDG) Regulations, and the European Agreement Concerning The International Carriage of Dangerous Goods by Road (ADR). Lithium-ion cells and batteries have been tested to section 38.3 of the UN Recommendations on the Transport of Dangerous Goods Manual of Tests and Criteria.

In most instances, shipping a STANLEY battery pack will be excepted from being classified as a fully regulated Class 9 Hazardous material. In general, the two instances that require shipping Class 9 are:

1. Air shipping more than two STANLEY lithium-ion battery packs when the package contains only battery packs (no tools), and
2. Any shipment containing a lithium-ion battery with an energy rating greater than 100 watt hours (Wh). All

lithium-ion batteries have the watt hour rating marked on the pack.

Regardless of whether a shipment is considered excepted or fully regulated, it is the shipper's responsibility to consult the latest regulations for packaging, labeling/markings and documentation requirements.

Transporting batteries can possibly cause fire if the battery terminals inadvertently come in contact with conductive materials. When transporting batteries, make sure that the battery terminals are protected and well insulated from materials that could contact them and cause a short circuit.

The information provided in this section of the manual is provided in good faith and believed to be accurate at the time the document was created. However, no warranty, expressed or implied, is given. It is the buyer's responsibility to ensure that its activities comply with the applicable regulations.

## Battery Pack

### BATTERY TYPE

The SCD20 operates on a 18V battery pack.

## Storage Recommendations

1. The best storage place is one that is cool and dry away from direct sunlight and excess heat or cold. For optimum battery performance and life, store battery packs at room temperature when not in use.
2. For long storage, it is recommended to store a fully charged battery pack in a cool, dry place out of the charger for optimal results.

**NOTE:** Battery packs should not be stored completely depleted of charge. The battery pack will need to be recharged before use.

## Labels on Charger and Battery Pack

In addition to the pictographs used in this manual, the labels on the charger and the battery pack may show the following pictographs:



Read instruction manual before use.



See **Technical Data** for charging time.



Battery charging.



Battery charged.



Battery defective.



Hot/cold pack delay.



Do not probe with conductive objects.



Do not charge damaged battery packs.



Do not expose to water.



Have defective cords replaced immediately.



Charge only between 4 °C and 40 °C.



Only for indoor use.



Discard the battery pack with due care for the environment.

LI-ION



Charge STANLEY battery packs only with designated STANLEY chargers. Charging battery packs other than the designated STANLEY batteries with a STANLEY charger may make them burst or lead to other dangerous situations.



Do not incinerate the battery pack.

## Package Contents

The package contains:

- 1 Drill/driver
- 1 Charger
- 2 Batteries (C2) or 1 Battery (C1)
- 1 Instruction manual

**NOTE:** Battery packs and chargers are not included with N-models.

- Check for damage to the tool, parts or accessories which may have occurred during transport.
- Take the time to thoroughly read and understand this manual prior to operation.

## STORAGE RECOMMENDATIONS

1. The best storage place is one that is cool and dry away from direct sunlight and excess heat or cold.
2. Long storage will not harm the battery pack or charger.

## FEATURES (Fig. A)

1. Trigger Switch



2. Forward/Reverse Button
3. Torque Adjust Collar
4. Dual Range Gear Selector
5. Keyless Chuck
6. Battery
7. Battery Release Button
8. LED Work Light
9. Bit Tip Holder

## INTENDED USE

This drill/driver is designed for light fastening and drilling applications.

**DO NOT** use under wet conditions or in presence of flammable liquids or gases.

This drill/driver is a professional power tool.

**DO NOT** let children come into contact with the tool. Supervision is required when inexperienced operators use this tool.

- This product is not intended for use by persons (including children) suffering from diminished physical, sensory or mental abilities, or for lack of experience and/or for want of knowledge or skills unless they are supervised by a person responsible for their safety. Children should never be left alone to play with this product.

## Electrical Safety

The electric motor has been designed for one voltage only. Always check that the battery pack voltage corresponds to the voltage on the rating plate. Also make sure that the voltage of your charger corresponds to that of your mains.



Your STANLEY charger is double insulated in accordance with EN 60335; therefore no earth wire is required.

If the supply cord is damaged, it must be replaced by a specially prepared cord available through the STANLEY service organisation.

## Using an Extension Cable

An extension cord should not be used unless absolutely necessary. Use an approved extension cable suitable for the power input of your charger (see **Technical Data**). The minimum conductor size is 1 mm<sup>2</sup>; the maximum length is 30 m.

When using a cable reel, always unwind the cable completely.

## Assembly and adjustments



**WARNING:** Prior to assembly and adjustment, always remove the battery pack. Always switch off the tool before inserting or removing the battery pack.



**WARNING:** Use only STANLEY battery packs and chargers.

## Inserting and Removing the Battery Pack from the Tool (fig. 3)



**WARNING:** To reduce the risk of serious personal injury, place the forward/reverse button in the lock-off position or turn tool off and disconnect battery pack before making any adjustments or removing/installing attachments or accessories. An accidental start-up can cause injury.

**NOTE:** Make sure your battery pack (g) is fully charged.

### TO INSTALL THE BATTERY PACK INTO THE TOOL HANDLE

1. Align the battery pack with the rails inside the handle.
2. Slide it firmly into place until you hear the lock snap into place.

### TO REMOVE THE BATTERY PACK FROM THE TOOL

1. Press the release button (f) and firmly pull the battery pack out of the tool handle.
2. Insert battery pack into the charger as described in the charger section of this manual.

## OPERATING INSTRUCTIONS

### Safety warnings and instructions: Drills



**WARNING!** Before using tool, read all instructions and cautionary markings on tool.



**WARNING!** Drill may stall (if overloaded or improperly used) causing a twist. Always expect the stall. Grip the drill firmly with two hands to control the twisting action and prevent loss of control which could cause personal injury. If a stall does occur, release the trigger immediately and determine the reason for the stall before re-starting.


### Trigger switch & forward/reverse button (Fig. D)

- ▶ The drill is turned ON and OFF by pulling and releasing the trigger switch (1) shown in Fig. D. The farther the trigger is depressed, the higher the speed of the drill.
- ▶ A forward/reverse control button (2) determines the rotational direction of the tool and also serves as a lock off button.

- ▶ To select forward rotation, release the trigger switch and depress the forward/reverse control button on the right side of the tool.
- ▶ To select reverse, depress the forward/reverse control button on the left side of the tool.
- ▶ The center position of the control button locks the tool in the off position. When changing the position of the control button, be sure the trigger is released.

### Adjusting torque control (Fig. E)

This tool is fitted with a torque adjustment collar (3) to select the operating mode and to set the torque for tightening screws. Large screws and hard workpiece materials require a higher torque setting than small screws and soft workpiece materials.

- ▶ For drilling in wood, metal and plastics, set the collar to the drilling position symbol .
- ▶ For screwdriving, set the collar to the desired setting. If you do not yet know the appropriate setting, proceed as follows:
  - ▶ Set the collar to the lowest torque setting.
  - ▶ Tighten the first screw.
  - ▶ If the clutch ratchets before the desired result is achieved, increase the collar setting and continue tightening the screw. Repeat until you reach the correct setting. Use this setting for the remaining screws.

### Dual range switch (Fig. F)

The dual range feature of your drill allows you to shift gears for greater versatility.

- ▶ To select low speed, high torque setting (position 1), turn tool off and permit to stop. Slide gear shifter button (4) away from the chuck.
- ▶ To select the high speed, low torque setting (position 2), turn tool off and permit to stop. Slide gear shifter button back toward the chuck.

**Note:** Do not change gears when tool is running. If you are having trouble changing gears, make sure that the dual range gear button is either completely pushed forward or completely pushed back.

### Keyless chuck (Fig. G)

⚠ **Warning!** Make certain the battery pack is removed to prevent tool actuation before installing or removing accessories.

To insert a drill bit or other accessory:

1. Grasp the chuck (5) and rotate it in the counterclockwise direction, as viewed from the chuck end.
2. Insert the bit or other accessory fully into the chuck, and tighten securely by rotating the chuck in the clockwise direction as viewed from the chuck end.



**Warning!** Do not attempt to tighten or loosen drill bits (or any other accessory) by gripping the front part of the chuck and turning the tool on. Damage to the chuck and personal injury may occur when changing accessories.

### Screw driving

- ▶ For driving fasteners, the forward/reverse button should be pushed to the left.
  - ▶ Use reverse (button pushed to the right) for removing fasteners.
- Note:** When moving from forward to reverse, or vice versa, always release the trigger switch first.

### Drilling

- ▶ Use sharp drill bits only.
- ▶ Support and secure work properly, as instructed in the Safety Instructions.
- ▶ Use appropriate and required safety equipment, as instructed in the Safety Instructions.
- ▶ Secure and maintain work area, as instructed in the Safety Instructions.
- ▶ Run the drill very slowly, using light pressure, until the hole is started enough to keep the drill bit from slipping out of it.
- ▶ Apply pressure in a straight line with the bit. Use enough pressure to keep the bit biting but not so much as to stall the motor or deflect the bit.
- ▶ **Hold the drill firmly with two hands**, one hand on the handle, and the other gripping the bottom around the battery area or the auxiliary handle if provided.
- ▶ **Do not click the trigger of a stalled drill off and on in an attempt to start it. Damage to the drill can result.**
- ▶ Minimize stalling on break through by reducing pressure and slowly drilling through the last part of the hole.
- ▶ Keep the motor running while pulling the bit out of a drilled hole. This will help reduce jamming.
- ▶ **Make sure switch turns drill on and off.**

## Drilling in wood

Holes in wood can be made with the same twist drill bits used for metal or with spade bits. These bits should be sharp and should be pulled out frequently when drilling to clear chips from the flutes.

## Drilling in metal

Use a cutting lubricant when drilling metals. The exceptions are cast iron and brass which should be drilled dry. The cutting lubricants that work best are sulfurized cutting oil or lard oil.

## LED work light

When drill is activated by pulling the trigger switch (1), the integrated LED work light (8) will automatically illuminate the work area.

**Note:** The work light is for lighting the immediate work surface and is not intended to be used as a flashlight.

## Bit tip storage

A bit storage slot (9) is built into the base of the tool.

## MAINTENANCE

Use only mild soap and damp cloth to clean the tool. Never let any liquid get inside the tool; never immerse any part of the tool into a liquid.



**Important!** To ensure product **SAFETY** and **RELIABILITY**, repairs, maintenance and adjustment (other than those listed in this manual) should be performed by authorized service centers or other qualified organizations, always using identical replacement parts. Unit contains no user service able parts inside.

## ACCESSORIES



**Warning!** Since accessories, other than those offered by STANLEY have not been tested with this product, use of such accessories with this tool could be hazardous. To reduce the risk of injury, only STANLEY recommended accessories should be used with this product.

## PROTECTING THE ENVIRONMENT



Separate collection. This product must not be disposed of with normal household waste.

Should you find one day that your STANLEY product needs replacement, or if it is of no further use to you, do not dispose of it with household waste. Make this product available for separate collection.



STANLEY provides a facility for the collection and recycling of STANLEY products once they have reached the end of their working life. To take advantage of this service please return your product to any authorised repair agent who will collect them on our behalf.

You can check the location of your nearest authorised repair agent by contacting your local STANLEY office at the address indicated in this manual. Alternatively, a list of authorised STANLEY repair agents and full details of our after-sales service and contacts are available on the Internet at: [www.2helpU.com](http://www.2helpU.com).



## BATTERIES

STANLEY batteries can be recharged many times. At the end of their useful life, discard batteries with due care for our environment:

- ▶ Run the battery down completely, then remove it from the tool.
- ▶ NiCd, NiMH and Li-Ion batteries are recyclable.

Take them to any authorized repair agent or a local recycling station.

## REMARKS

Stanley's policy is one of continuous improvement to our products and as such, we reserve the right to modify product specifications without prior notice.

- Standard equipment and accessories may vary by country.
- Product specifications may differ by country.
- Complete product range may not be available in all countries. Contact your local Stanley dealers for range availability.

## Technical Data

		SCD20
Voltage	V	18
No-load speed/rated speed	min <sup>-1</sup> (rpm)	0-350 0-1500
Max torque	Nm	29.4
Power output(MWO)	W	283
Chuck capacity	mm	13
<b>CHARGER</b>		<b>SC201/ SC202</b>
Input Voltage	V <sub>AC</sub>	220-240
Output Voltage	V <sub>DC</sub>	18
Output Current(DC)	A	1.0/ 2.0
Approx. charge time	min	75/ 45
<b>Battery</b>		<b>SB20C</b>
Voltage	V <sub>DC</sub>	18
Capacity	Ah	1.3
Type	Li-Ion	

### LEVEL OF SOUND PRESSURE ACCORDING TO EN 60745:

Sound pressure (LpA) 71.5 dB(A), uncertainty (K) 3 dB(A)

Sound power (LWA) 82.5 dB(A), uncertainty (K) 3 dB(A)

### VIBRATION TOTAL VALUES (TRIAx VECTOR SUM) ACCORDING TO EN 60745:

Drilling into metal (ah, D) 3.5 m/s<sup>2</sup>, uncertainty (K) 1.5 m/s<sup>2</sup>

No load (ah, S) 1.0 m/s<sup>2</sup>, uncertainty (K) 1.5 m/s<sup>2</sup>

### VIBRATION

The declared vibration emission values stated in the technical data and the declaration of conformity have been measured in accordance with a standard test method provided by EN 60745 and may be used for comparing one tool with another. The declared vibration emission value may also be used in a preliminary assessment of exposure.

**WARNING!** The vibration emission value during actual use of the power tool can differ from the declared value depending on the ways in which the tool is used. The vibration level may increase above the level stated.

When assessing vibration exposure to determine safety measures required by 2002/44/EC to protect persons regularly using power tools in employment, an estimation of vibration exposure should consider, the actual conditions of use and the way the tool is used, including taking account of all parts of the operating cycle such as the times when the tool is switched off and when it is running idle in addition to the trigger time.

### SERVICE INFORMATION

STANLEY offers a full network of company-owned and authorized service locations. All STANLEY Service Centers are staffed with trained personnel to provide customers with efficient and reliable power tool service. For more information about our authorized service centers and if you need technical advice, repair, or genuine factory replacement parts, contact the STANLEY location nearest you.

### TWO YEARS WARRANTY

If your STANLEY product becomes defective due to faulty materials or workmanship within 24 months from the date of purchase, STANLEY guarantees to replace all defective parts free of charge or – at our discretion – replace the unit free of charge provided that:

- The product has not been misused and has been used in accordance with the instruction manual.
- The product has been subject to fair wear and tear;
- Repairs have not been attempted by unauthorised
- Proof of purchase is produced.
- The STANLEY product is returned complete with all original components. If you wish to make a claim, contact your seller or check the

location of your nearest authorised STANLEY repair agent in the STANLEY catalogue or contact your local STANLEY office at the address indicated in this manual. A list of authorised STANLEY repair agents and full details of our after sales service is available on the internet at:

[www.stanleytools.com](http://www.stanleytools.com)

**EC declaration of conformity**

MACHINERY DIRECTIVE

**SCD20-Drill/Screwdriver**

STANLEY declares that these products described under "technical data" are in compliance with: 2006/42/EC, EN 60745-1:2009 + A11:2010, EN 60745-2-1:2010

These products also comply with Directive 2004/108/EC (until 19/04/2016) 2014/30/EU (from 20/04/2016) and 2011/65/EU. For more information, please contact STANLEY at the following address or refer to the back of the manual.

The undersigned is responsible for compilation of the technical file and makes this declaration on behalf of STANLEY.

A handwritten signature in black ink, appearing to read 'R. Laverick', written in a cursive style.

R.Laverick

Engineering Manager

STANLEY , Europe, Egide Walschaertsstraat14-18,  
2800 Mechelen, Belgium

08.2015

## Kullanım amacı

Stanley SCD20 matkap/tornavidanız vida takma/sökme uygulamaları ve ahşap, metal ve plastik delme işlemleri için tasarlanmıştır. Bu alet yarı profesyonel ve profesyonel kullanım içindir.

## Güvenlik talimatları

### Genel elektrikli alet güvenlik uyarıları



**Uyarı! Bütün güvenlik uyarılarını ve talimatlarını mutlaka okuyun.**Aşağıda yer alan uyarılar ve talimatların herhangi birisine uyulmaması elektrik çarpması, yangın ve/veya ciddi yaralanma riskine neden olabilir.

### Bütün uyarı ve güvenlik talimatlarını ilerde bakmak üzere saklayın.

Aşağıda yer alan uyarılardaki «elektrikli alet» terimi şebeke elektriğiyle (kablolu) veya akü/pille (şarjlı) çalışan elektrikli aletinizi ifade etmektedir.

#### 1. Çalışma alanının güvenliği

- Çalışma alanını temiz ve aydınlık tutun.** Karışık veya karanlık alanlar kazaya davetiye çıkarır.
- Elektrikli aletleri, yanıcı sıvılar, gazlar ve tozların bulunduğu yerler gibi yanıcı ortamlarda çalıştırma.** Elektrikli aletler, toz veya dumanları ateşleyebilecek kıvılcımlar çıkarır.
- Bir elektrikli aleti çalıştırırken çocuklardan ve etraftaki kişilerden uzak tutun.** Dikkatinizi dağıtıcı şeyler kontrolü kaybetmenize neden olabilir.

#### 2. Elektrik güvenliği

- Elektrikli aletlerin fişleri prizlere uygun olmalıdır. Fiş üzerinde kesinlikle hiçbir değişiklik yapmayın. Topraklı elektrikli aletlerde hiçbir adaptör fişi kullanmayın.**Değiştirilmemiş fişler ve uygun prizler elektrik çarpması riskini azaltacaktır.
- Borular, radyatörler, ocaklar ve buzdolapları gibi topraklanmamış yüzeylerle vücut temasından kaçının.** Vücudunuzun topraklanması halinde yüksek bir elektrik çarpması riski vardır.
- Elektrikli aletleri yağmura maruz bırakmayın veya ıslatmayın.** Elektrikli alete su girmesi elektrik çarpması riskini arttıracaktır.
- Elektrik kablosunu uygun olmayan amaçlarla kullanmayın. Elektrikli aleti kesinlikle kablosundan tutarak taşımayın, çekmeyin veya prizden çıkartmayın.** Kabloyu sıcağın, yağdan, keskin kenarlardan veya hareketli parçalardan uzak tutun. Hasarlı veya dolaşmış kablolar elektrik çarpması riskini artırır.
- Elektrikli bir aleti açık havada çalıştırıyorsanız, açık**

**havada kullanıma uygun bir uzatma kablosu kullanın.**

Açık havada kullanıma uygun bir kablonun kullanılması elektrik çarpması riskini azaltır.

- Eğer bir elektrikli aletin nemli bir bölgede çalıştırılması zorunluysa, bir artık akım aygıtı (RCD) korumalı bir kaynak kullanın.** Bir RCD kullanılması elektrik şoku riskini azaltır.
- Kişisel güvenlik**
  - Elektrikli bir aleti kullanırken her zaman dikkatli olun, yaptığımız işe yoğunlaşın ve sağduyulu davranın. Elektrikli bir aleti yorgunken veya ilaç ya da alkolün etkisi altındayken kullanmayın.** Elektrikli aletleri kullanırken bir anlık dikkatsizlik ciddi kişisel yaralanmayla sonuçlanabilir.
  - Kişisel koruyucu ekipmanları mutlaka kullanın. Daima koruyucu gözlük takın.** Koşullara uygun toz maskesi, kaymayan güvenlik ayakkabıları, baret veya kulaklık gibi koruyucu donanımların kullanılması kişisel yaralanmaları azaltacaktır.
  - İstem dışı çalıştırılmasını önleyin. Aleti güç kaynağına ve/veya aküye bağlamadan, yerden kaldırmadan veya taşımadan önce düğmenin kapalı konumda olduğundan emin olun.** Aleti, parmağınız düğme üzerinde bulunacak şekilde taşımak veya açık konumdaki elektrikli aletleri elektrik şebekesine bağlamak kazaya davetiye çıkarır.
  - Elektrikli aleti açmadan önce tüm ayarlama anahtarlarını çıkartın.** Elektrikli aletin hareketli bir parçasına takılı kalmış bir anahtar kişisel yaralanmaya neden olabilir.
  - Ulaşmakta zorlandığınız yerlerde kullanmayın. Daima sağlam ve dengeli basın.** Bu, beklenmedik durumlarda elektrikli aletin daha iyi kontrol edilmesine olanak tanır.
  - Uygun şekilde giyinin. Bol elbiseler giymeyin ve takı takmayın. Saçınızı, elbiselerinizi ve eldivenlerinizi hareketli parçalardan uzak tutun.** Bol elbiseler ve takılar veya uzun saç hareketli parçalara takılabilir.
  - Eğer kullandığınız üründe toz emme ve toplama özellikleri olan ataşmanlar varsa bunların bağlı olduğundan ve doğru şekilde kullandığınızdan emin olun.** Bu toz toplama ataşmanların kullanılması toza ilgili tehlikeleri azaltabilir.
- Elektrikli aletlerin kullanımı ve bakımı**
  - Elektrikli aleti zorlamayın. Uygulamanız için doğru elektrikli aleti kullanın.** Doğru elektrikli alet, belirlendiği kapasite ayarında kullanıldığında daha iyi ve güvenli çalışacaktır.
  - Düğme açmıyor ve kapatmıyorsa elektrikli aleti kullanmayın.** Düğmeyle kontrol edilemeyen tüm elektrikli aletler tehlikelidir ve tamir edilmesi gerekmektedir.
  - Herhangi bir ayarlama, aksesuar değişimi veya elektrikli aletlerin saklanması öncesinde fişi güç kaynağından çekin ve/veya aküyü elektrikli aletten**

ayırın. Bu tür önleyici güvenlik tedbirleri aletin istem dışı olarak çalıştırılması riskini azaltacaktır.

- d. **Elektrikli aleti, çocukların ulaşamayacağı yerlerde saklayın ve elektrikli aleti tanımayan veya bu talimatları bilmeyen kişilerin elektrikli aleti kullanımına izin vermeyin.** Elektrikli aletler, eğitimsiz kullanıcıların elinde tehlikelidir.
- e. **Elektrikli aletleri iyi durumda muhafaza edin. Hareketli parçalardaki hizalama hatalarını ve tutuklukları, parçalardaki kırılmalar ve elektrikli aletin çalışmasını etkileyebilecek tüm diğer koşulları kontrol edin. Hasarlı ise, elektrikli aleti kullanmadan önce tamir ettirin.** Kazaların çoğu, elektrikli aletlerin bakımının yeterli şekilde yapılmamasından kaynaklanır.
- f. **Kesim aletlerini keskin ve temiz tutun.** Bakımı uygun şekilde yapılmış keskin kesim uçlu kesim aletlerinin sıkışma ihtimali daha düşüktür ve kontrol edilmesi daha kolaydır.
- g. **Elektrikli aleti, aksesuarlarını ve aletin diğer parçalarını kullanırken bu talimatlara mutlaka uyun ve çalışma ortamının koşullarını ve yapılacak işin ne olduğunu göz önünde bulundurun.** Elektrikli aletin öngörülen işlemler dışındaki işlemler için kullanılması tehlikeli durumlara neden olabilir.

5. **Akü/pille çalışan aletin kullanımı ve bakımı**
  - a. **Sadece üretici tarafından belirtilen şarj cihazı ile şarj edin.** Bir akü tipine uygun bir şarj cihazı başka tipte bir aküyü şarj etmek için kullanıldığında yangın riski yaratabilir.
  - b. **Elektrikli aletleri yalnızca özel olarak tanımlanmış akülerle kullanın.** Başka bir akünün kullanılması yaralanma veya yangın riskine yol açabilir.
  - c. **Akü kullanımda değilken, ataç, bozuk para, anahtar, çivi, vida veya terminaler arasında kontağa neden olabilecek diğer küçük metal nesnelere uzak tutulmalıdır.** Akü terminalerinin birbirine kısa devre yapılması yanıklara veya yangına neden olabilir.
  - d. **Sıra dışı koşullarda sıvı aküden dışarı akabilir, temastan kaçının. Yanlışlıkla cilde temas edilirse su ile yıkayın. Gözle temas durumunda ayrıca doktora başvurun.** Aküden sıvı akması ciltte tahriş veya yanmaya neden olabilir. .

## 6. Servis

- a. **Elektrikli aletinizi, sadece orijinal yedek parçaların kullanıldığı yetkili servise tamir ettirin.** Bu, elektrikli aletin güvenliğinin muhafaza edilmesini sağlayacaktır.

## Matkap/tornavidalar için özel ek güvenlik talimatları

- **Darbeli matkap ile çalışırken kulaklık takın.** Yüksek sese maruz kalmak işitme kaybına yol açabilir.
- **Aletle birlikte verilmiş olan yardımcı tutma kollarını kullanın.** Kontrol kaybı kişisel yaralanmalara neden

olabilir.

- **Kesme aksesuarının gizli kablolarla temas edebileceği yerlerde çalışma yaparken elektrikli aleti yalıtımlı kavrama yüzeylerinden tutun.** Kesme aksesuarının «akım taşıyan» bir kabloya temas etmesi durumunda elektrikli aletin metal kısımları da «akım taşıyıcı» hale gelecek ve kullanıcının elektrik çarpmasına neden olabilir.

## Diğer tehlikeler






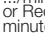


Emniyet tedbirlerini düzenleyen yönetmeliğin uygulanmasına ve emniyet sağlayıcı aygıtların kullanılmasına rağmen, başka belirli risklerden kaçınılamaz.

Bunlar:

- Duyma bozukluğu.
- Sıçrayan parçacıklardan kaynaklanan yaralanma riski.
- Çalışma sırasında ısınan aksesuarlardan kaynaklanan yanık tehlikesi.
- Uzun süreli kullanımdan kaynaklanan yaralanma riski.

## Alet üzerindeki etiketler

Aletin etiketinde aşağıdaki semboller tarih kodu ile birlikte bulunabilir:

	Read Instructions Manual	W .....Watts min .....minutes		.....Earthing Terminal
	Use Eye Protection	~ .....Alternating Current		.....Safety Alert Symbol
	Use Ear Protection	== .....Direct Current		.../min.. Revolutions or Reciprocation per minute
V ..... Volts		n <sub>0</sub> .....No-Load Speed		.....The charger is intended for indoor use only.
A .....Amperes		Hz .....Hertz		.....Class II Construction

## Tarih kodu konumu

İmalat yılını da içeren Tarih Kodu gövdeye basılıdır.

Örnek □

2015 XX JN

İmalat Yılı

## Tüm akü şarj cihazları için önemli güvenlik talimatları

**BU TALİMATLARI SAKLAYIN:** Bu kılavuz SC201 şarj cihazları hakkında önemli güvenlik ve çalışma talimatları içerir.

- Şarj cihazını kullanmadan önce şarj cihazının, akünün ve üründe kullanılan akünün üzerindeki talimatları ve uyarıcı işaretleri okuyun.



**UYARI:** Elektrik çarpması tehlikesi. Şarj cihazının içine sıvı kaçmasına izin vermeyin. Elektrik çarpmasına neden olabilir.



**DİKKAT:** Yanma tehlikesi. Yaralanma riskini azaltmak için, yalnızca STANLEY şarj edilebilir akülerini şarj edin. Diğer akü tipleri patlayarak yaralanmanıza veya hasar meydana gelmesine yol açabilir.



**DİKKAT:** Çocuklar, cihazla oynamalarını önlemek amacıyla kontrol altında tutulmalıdır.

**İKAZ:** Belirli koşullar altında, şarj cihazı güç kaynağına takılıyken, yabancı maddeler tarafından kısa devre yapılabilir. Bunlarla sınırlı olmamak kaydıyla iletken nitelikteki taşlama tozu, metal yongalar, çelik yünü, alüminyum folyo veya metal parçacık birikimi gibi yabancı maddeler şarj cihazının yuvalarından uzak tutulmalıdır. Yuvalarda akü yokken şarj cihazını daima güç kaynağından çıkarın. Şarj cihazının fişini temizlemeden önce çıkarın.

- **Aküyü bu kılavuzdaki şarj cihazlarından başka cihazlarla şarj etmeye ÇALIŞMAYIN.** Şarj cihazı ve akü özellikle birlikte çalışacak şekilde tasarlanmıştır.
- **Bu şarj cihazları STANLEY şarj edilebilir akülerini şarj etmekten başka kullanımlar için tasarlanmamıştır.** Başka kullanımlar yangın veya elektrik çarpmasına yol açabilir.
- **Şarj cihazını yağmura veya kara maruz bırakmayın.**
- **Şarj cihazını fişten çıkarırken kablodan değil fişten tutarak çekin.** Bu, elektrik fişine ve kablosuna hasar verilmesi riskini azaltır.
- **Kablonun üzerine basılmayacak, ortalıkta gezinmeyecek veya başka şekilde hasara ve gerginliğe maruz kalmayacak şekilde yerleştirildiğinden emin olun.**
- **Kesinlikle gerekli olmadıkça bir uzatma kablosu kullanmayın.** Yanlış uzatma kablosu kullanımı yangın veya elektrik çarpmasına neden olabilir.
- **Şarj cihazının üzerine herhangi bir eşya koymayın veya şarj cihazını havalandırma deliklerini kapatıp aşırı iç sıcaklığa neden olabilecek yumuşak bir yüzeye yerleştirmeyin.** Şarj cihazını herhangi bir ısı kaynağından uzaktaki bir yere koyun. Şarj cihazı muhafazanın üstündeki ve altındaki delikler aracılığıyla havalandırılır.
- **Şarj cihazını hasarlı kordon veya fişle çalıştırmayın —** bunları derhal değiştirin.
- **Şarj cihazını sert bir darbe aldıysa, düştüyse veya herhangi bir şekilde hasar gördüyse çalıştırmayın.** Yetkili bir servis merkezine götürün.
- **Şarj cihazını sökmeyin; servis veya onarım gerektiğinde yetkili bir servis merkezine götürün.**

Yanlış yeniden takma elektrik çarpmasına veya yangına yol açabilir.

- Elektrik kablosu hasarlı ise, bir tehlike oluşmasını önlemek için üretici ya da yetkili Servis Merkezi tarafından değiştirilmelidir.
- **Herhangi bir temizlik işlemi yapmadan önce şarj cihazının fişini prizden çekin. Bu, elektrik çarpması riskini azaltır.** Aküyü çıkarmak bu riski azaltmaz.
- **ASLA 2 şarj cihazını bir arada bağlamaya çalışmayın.**
- **Şarj cihazı standart ev elektrik gücüyle çalışmak üzere tasarlanmıştır. Başka herhangi bir voltaj ile kullanmayı denemeyin.** Bu araba şarj cihazı için geçerli değildir.

## BU TALİMATLARI SAKLAYIN

### Şarj cihazları

SC201/ SC202 18V aküleri şarj eder.

Bu şarj cihazları ayarlama gerektirmez ve kullanımı mümkün olduğunda kolay olacak şekilde tasarlanmıştır.

### Şarj etme (Şekil 2)

1. Aküyü takmadan önce, şarj cihazının fişini (j) uygun prize takın.
2. Aküyü (g) şarj cihazına takın. Kırmızı (şarj) ışığın sürekli yanıp sönmeye başlamesi, şarj işleminin başladığını gösterir.
3. Kırmızı ışığın sürekli AÇIK kalması, şarjın tamamlandığını gösterir. Akü tamamen şarj olmuştur ve hemen kullanılabilir veya şarj cihazında bırakılabilir.

**NOT:** Li-Ion akülerden maksimum performans almak ve akülerin kullanım ömrünü uzatmak için, kullanmadan önce aküyü tamamen şarj edin.

### Şarj işlemi

Akünün şarj durumu için aşağıdaki tabloya bakın.

Şarj durumu – SC201	
	şarj edilmesi
	tamamen şarj oldu
	sıcak/soğuk akü gecikmesi

### SICAK/SOĞUK AKÜ GECİKMESİ

#### SC201/ SC202

Şarj cihazı bir akünün çok sıcak olduğunu tespit ettiğinde otomatik olarak akü soğuyana kadar şarj işlemini durdurur.



Şarj cihazı bir akünün çok soğuk olduğunu tespit ettiğinde otomatik olarak akü ısınana kadar şarj işlemini durdurur.

Bu işlem esnasında kırmızı ışık yanıp sönmeye devam edecek, fakat bir sarı ışık da yanacaktır. Akü soğuduktan sonra sarı ışık kapanacak ve şarj cihazı şarj işlemine devam edecektir.

Stanley Li-Ion aletler, aküyü aşırı yük, aşırı ısınma veya derin deşarja karşı koruyan Elektronik Koruma Sistemli olarak tasarlanmıştır.

Elektronik Koruma Sisteminin devreye girmesi durumunda alet otomatik olarak kapanır. Bu durumla karşılaşırsanız Li-Ion aküyü şarj cihazına yerleştirin ve tam olarak şarj olmasını bekleyin.

### SADECE Lİ-ION AKÜLER

Li-Ion aküler, aküyü aşırı yük, aşırı ısınma veya derin deşarja karşı koruyan Elektronik Koruma Sistemli olarak tasarlanmıştır.

Elektronik Koruma Sisteminin devreye girmesi durumunda alet otomatik olarak kapanır. Bu durumla karşılaşırsanız Li-Ion aküyü şarj cihazına yerleştirin ve tam olarak şarj olmasını bekleyin.

### Tüm aküler için önemli güvenlik talimatları

Yedek aküleri sipariş ederken, katalog numarasını ve voltajı eklediğinizden emin olun.

Akü, kutudan şarjı dolu olarak çıkmaz. Aküyü ve şarj cihazını kullanmadan önce, aşağıdaki güvenlik talimatlarını dikkatlice okuyun. Daha sonra belirtilen şarj işlemlerini uygulayın.

### TÜM TALİMATLARI OKUYUN

- **Aküyü, yanıcı sıvılar, gazlar ve tozların bulunduğu yerler gibi yanıcı ortamlarda şarj etmeyin veya kullanmayın.** Aküyü şarj cihazına takmak veya cihazdan çıkarmak toz veya dumanları tutuşturabilir.
- **Aküyü şarj cihazının içine doğru zorlamayın. Akü kırılarak ciddi kişisel yaralanmaya neden olabileceğinden akünün üzerinde hiçbir şekilde uyumsuz bir şarj cihazına uydurmak için değişiklik yapmayın.**
- Aküleri yalnızca Stanley şarj cihazlarında şarj edin.
- Su veya diğer sıvıları sıçratmayın veya bunlara **DALDIRMAYIN.**
- **Aleti ve aküyü sıcaklığın 40°'ye ulaştığı veya bu sıcaklığı aştığı yerlerde (yazın dış barakalar veya metal binalar gibi) depolamayın veya kullanmayın.**



**UYARI:** Aküyü hiçbir nedenle asla açmayın. Akünün muhafazası çatlarsa veya hasar görürse, şarj cihazına takmayın. Aküyü çarpmayın, düşürmeyin veya pakete hasar vermeyin. Sert bir darbe almış, düşmüş, çiğnenmiş veya herhangi bir şekilde hasar görmüş (örn. Çiviyle delinmiş, çekiçle vurulmuş veya üzerine basılmış) bir aküyü veya şarj cihazını kullanmayın. Elektrik

çarpmasına yol açabilir. Hasarlı aküler geri dönüşüm için servis merkezine gönderilmelidir.



**DİKKAT: Aleti kullanmadığınız zaman, devrilme veya düşme tehlikesine yol açmayacağı dengeli bir yüzeye yan tarafının üzerine yerleştirin.** Büyük aküleri sahip bazı aletler akünün üzerinde dik durabilir, ancak bunlar kolayca devrilebilir.

### LİTYUM İYON (Li-ION) AKÜLER İÇİN ÖZEL GÜVENLİK TALİMATLARI

- **Önemli ölçüde hasarlı veya tamamen eskimiş olsa bile aküyü ateşe atmayın.** Akü ateşe atılırsa patlayabilir. Lityum iyon aküler yanınca zehirli buharlar ve materyaller açığa çıkar.
- **Akü içeriği cildinizle temas ederse, etkilenen alanı derhal yumuşak bir sabun ve suyla yıkayın.** Akü sıvısı gözlerinize bulaşırsa, gözünüzü açık tutarak 15 dakika boyunca veya tahriş hissi geçene kadar suyla yıkayın. Tıbbi yardım gerekirse, akü elektroliti sıvı organik karbonatlar ve lityum tuzları karışımından oluşmaktadır.
- **Açılan akü hücrelerinin içeriği solunum yolunu tahriş edebilir.** Ortama temiz hava girmesini sağlayın. Belirtiler geçmezse tıbbi yardım alın.



**UYARI:** Yanma tehlikesi. Akü sıvısı kıvılcıma veya ateşe maruz kalırsa yanıcı olabilir.

### Nakliyat

STANLEY aküler, Tehlikeli Maddelerin Nakliyesi Hakkında BM Tavsiyeleri; Uluslararası Hava Taşımacılığı Birliği (IATA) Tehlikeli Madde Düzenlemeleri, Uluslararası Deniz Taşımacılığı Tehlikeli Madde (IMDG) Düzenlemeleri ve Uluslararası Karayoluyla Tehlikeli madde Taşıma Konulu Avrupa Anlaşması içeriklerinde belirtilen sektörel ve hukuki standartların tüm düzenlemeleriyle uyumludur. Lityum-iyon hücreler ve aküler, Tehlikeli Madde Taşımacılığı Kılavuzu Testleri ve Kriterleri Hakkındaki BM Tavsiyelerinin 38.3. bölümüne kadar test edilmiştir.

Çoğu durumda, STANLEY akünün nakliyatı tamamen düzenlenmiş Sınıf 9 Tehlikeli madde sınıfının dışında kalmaktadır. Genel olarak, Sınıf 9 gerektiren iki örnek şunlardır:

1. İki adetten fazla STANLEY lityum-iyon akünün, pakette yalnızca aküler varken (hiçbir alet olmadan) hava yoluyla taşınması, ve
2. Enerji derecesi 100 Watt Saat (Wh)'den fazla olan lityum-iyon akülerin herhangi bir şekilde taşınması. Tüm lityum-iyon akülerin paketlerinde Watt Saat değeri belirtilmiştir.

Nakliyat kapsam dışında da kalsa, tamamen düzenlenmiş de olsa, paketleme, etiketleme ve belgeleme gereklilikleri hakkındaki son düzenlemeleri takip etmek nakliyatçıların sorumluluğudur.

Aküleri taşımak eğer akü terminalleri iletken malzemelerle dikkatsizlik sonucu temas ederlerse yangına neden olabilir. Akü nakliyatı yaparken, akü kutuplarının iyi korunduğundan ve kutuplarla temas edip kısa devreye sebep olabilecek maddelerden iyi şekilde izole edildiğinden emin olun.

Kılavuzun bu bölümünde bulunan bilgiler iyi niyetle yazılmıştır ve kılavuzun hazırlandığı tarih itibarıyla doğru olduğuna inanılmaktadır. Fakat, sözlü veya zimnen hiçbir garanti verilmemektedir. Gerçekleştirdiği işlemlerin geçerli düzenlemelerle uyumlu olduğundan emin olmak alıcının sorumluluğundadır.

## Akü

### AKÜ TİPİ

SCD20 18V akülerle çalışır.

### Saklama önerileri

1. En iyi saklama ortamı serin ve kuru, doğrudan güneş ışığı almayan, aşırı sıcak ve soğuk olmayan yerlerdir. En uygun akü performansı ve ömrü için kullanımda değilken aküleri oda sıcaklığında saklayın.
2. Uzun süreli saklama için, en iyi sonuç için şarj cihazından uzak serin, kuru bir yerde tamamen dolu bir akü saklamak için tavsiye edilir.

**NOT:** Aküler tamamen şarj boşalmış halinde saklanmamalıdır. Akünün kullanılmadan önce yeniden şarj edilmesi gerekir.

### Şarj cihazı ve akü üzerindeki etiketler

Bu kılavuzda kullanılan sembollere ilave olarak, şarj cihazı ve akü üzerinde bulunan etiketler aşağıdaki sembollerle belirtmektedir:



Alette çalışmaya başlamadan önce bu kılavuzu okuyun.



Şarj süresi için **Teknik Özellikleri** bölümüne bakın.



Akü şarj oluyor.



Akü şarj oldu.



Hasarlı akü.



Sıcak/soğuk akü gecikmesi.



İletken nesnelere temas etmeyin.



Hasarlı aküleri şarj etmeyin.



Suya maruz bırakmayın.



Hasarlı kabloların hemen değiştirilmesini sağlayın.

Sadece 4 °C ila 40 °C arasında şarj edin.



Yalnızca kapalı alanda kullanım icindir.



Aküleri çevremize gerekli ozeni göstererek atın.



STANLEY aküler, yalnızca onlar için tasarlanmış olan STANLEY şarj cihazlarında şarj edin. STANLEY aküleri haricindeki akülerin STANLEY şarj cihazlarıyla şarj edilmesi patlamalarına veya diğer tehlikeli durumların ortaya çıkmasına sebep olabilir.



Aküyü ateşe atmayın.

### Ambalajın içeriği

Ambalaj, aşağıdaki parçaları içermektedir:

- 1 Matkap/tomavida
- 1 Şarj cihazı
- 2 Akü (C2) veya 1 akü (C1)
- 1 Kullanım kılavuzu

**NOT:** N modelleriyle birlikte akü ve şarj cihazı verilmemektedir.

- Alette, parçalarda veya aksesuarlarda nakliye sırasında meydana gelmiş olabilecek hasarı kontrol edin.
- Aleti çalıştırmadan önce, bu kullanım kılavuzunu baştan sonra okuyup anlamak için gerekli zamanı ayırın.

### SAKLAMA ÖNERİLERİ

1. En iyi saklama ortamı serin ve kuru, doğrudan güneş ışığı almayan, aşırı sıcak ve soğuk olmayan yerlerdir.
2. Uzun süreli saklama akü veya şarj cihazına zarar vermez.

### ÖZELLİKLER (ŞEKİL A)

1. Açma/kapama tetiği

2. İleri/geri kontrol düğmesi
3. Tork ayarlama bileziği
4. Vites mandalı
5. Anahtarsız mandren
6. Akü
7. Akü çıkartma düğmesi
8. LED aydınlatma
9. Matkap/tornavida ucu yuvası

## KULLANIM AMACI

Bu matkap/tornavida hafif vidalama ve delme işleri için tasarlanmıştır.

Islak koşullarda veya yanıcı sıvı ya da gazların mevcut olduğu ortamlarda **KULLANMAYIN**.

Bu matkap/tornavida profesyonel bir elektrikli alettir.

Çocukların aleti ellemesine **İZİN VERMEYİN**. Bu alet deneyimsiz kullanıcılar tarafından kullanılırken nezaret edilmelidir

- Bu ürün fiziksel ve zihinsel kapasitesinin yanı sıra algılama gücü azalmış olan veya yeterince deneyim ve bilgisi bulunmayan kişiler (çocuklar dahil) tarafından kullanılmak üzere üretilmemiştir. Bu tür kişiler ürünü ancak güvenliklerinden sorumlu bir kişi tarafından cihazın kullanımıyla ilgili talimatların verilmesi veya sürekli kontrol altında tutulması durumunda kullanılabilir. Çocuklar, bu ürün ile oynamalarını önlemek amacıyla kontrol altında tutulmalıdır.

## Elektrik Güvenliği

Elektrik motoru, sadece tek bir gerilim ile çalışacak şekilde ayarlanmıştır. Her zaman akü voltajının aletin üretim etiketinde belirlenmiş değerlere uyup uymadığını kontrol edin. Aynı zamanda şarj cihazınızın voltajının ana şebeke voltajınızla aynı olduğundan emin olun.



STANLEY şarj cihazınız, EN 60335'e göre çifte yalıtımlıdır. Bu yüzden hiçbir topraklama kablosuna gerek yoktur.

Güç kablosu hasarlıysa, STANLEY yetkili servisinden temin edilebilen özel olarak hazırlanmış bir kabloyla değiştirilmelidir.

## Uzatma kablolarının kullanımı

Kesinlikle gerekli olmadıkça bir uzatma kablosu kullanılmamalıdır. Daima şarj cihazınızın elektrik girişine uygun («Teknik Özellikleri» bölümüne bakın), onaylı bir uzatma kablosu kullanın. Minimum iletken boyutu 1 mm<sup>2</sup>'dir; maksimum uzunluk 30 m'dir.

Bir kablo makarası kullanırken, kabloyu daima sonuna kadar açın.

## Montaj ve ayarlamalar



**UYARI:** Montaj ve ayarlama işlemlerinden önce daima aküyü çıkartın. Aküyü takmadan veya çıkartmadan önce daima aletin kapalı olduğundan emin olun.



**UYARI:** Yalnızca STANLEY akü ve şarj cihazlarını kullanın.

## Alete akü takma ve çıkartma (Şekil 3)



**UYARI:** Ciddi yaralanma riskini azaltmak için herhangi bir ayar yapmadan ya da parça veya aksesuarları söküp takmadan önce ileri/geri düğmesini kilitleyin veya aleti kapatın ve aküyü çıkartın. Aletin yanlışlıkla çalıştırılması yaralanmaya neden olabilir.

**NOT:** Akünün (g) tamamen şarjlı olduğundan emin olun.

## AKÜYÜ ALETİN KOLUNA TAKMA

1. Aküyü kolun içindeki raylarla hizalayın.
2. Kilidin yerine oturduğunu duyana kadar yerine doğru sıkıca kaydırın.

## AKÜYÜ ALETEN ÇIKARTMA

1. Serbest bırakma düğmesine (f) basın ve aküyü sıkıca çekerek aletin kolundan çıkarın.
2. Aküyü bu kılavuzun şarj cihazı kısmında açıklandığı gibi şarj cihazına takın.

## KULLANIM KILAVUZU

### Güvenlik uyarıları ve talimatları: Matkaplar



**UYARI!** Aleti kullanmadan önce aletin üzerindeki talimatları ve uyarıcı işaretleri okuyun.



**UYARI!** Matkap zorlanırsa veya amaç dışı kullanılırsa aşırı dönme kuvvetine yol açacak şekilde aniden durabilir. Her zaman ani durmaya karşı dikkatli olun. Dönme hareketini kontrol etmek için ve kişisel yaralanmaya yol açacak kontrol kaybını önlemek için matkabı iki elinizle sıkıca tutun. Aniden durma meydana gelirse tetiği hemen bırakın ve yeniden çalışmaya başlamadan önce bunun nedenini öğrenin.

## Açma/kapama tetiği ve ileri/geri kontrol düğmesi (Şekil D)

► Alet, **Şekil D**'de gösterildiği gibi açma/kapama tetiğine (1) basarak ve tetiğini bırakarak AÇIK ve KAPALI konuma getirilir. Tetiğe daha fazla basıldığında matkap daha hızlı çalışır.

► İleri/geri kontrol düğmesi (2) aletin çalışma yönünü belirler ve ayrıca çalışmayı önleyen bir kilid görevi görür.

- ▶ İleri dönmeyi seçmek için açma/kapama tetiğini bırakın ve aletin sağ tarafındaki ileri/geri kontrol düğmesine basın.
- ▶ Geri dönmeyi seçmek için aletin sol tarafındaki ileri/geri kontrol düğmesine basın.
- ▶ İleri/geri kontrol düğmesi orta konumundayken aleti kapalı konumda kilitleyiniz. İleri/geri kontrol düğmesinin yerini değiştirirken tetiğin serbest bırakıldığından emin olun.

### Tork kontrolünün ayarlanması (Şekil E)

Bu alet, çalışma modunun seçilmesi ve vida sıkma torkunun ayarlanması için bir tork ayarlama bileziği (3) ile donatılmıştır. Büyük vidalar ve üzerinde çalışılan sert malzemeler küçük vidalara ve yumuşak malzemelere göre daha yüksek bir tork ayarı gerektirir.

- ▶ Ahşap, metal ve plastik delme işlemleri için bileziği delme konumu sembolüne getirin 1.
- ▶ Vida takma ve sökme işlemleri için bileziği istediğiniz konuma getirin. Henüz uygun ayarı bilmiyorsanız, aşağıda belirtildiği şekilde ilerleyin:
- ▶ Bileziği en düşük tork ayarına getirin.
- ▶ Ardından ilk vidayı sıkın.
- ▶ Kavrama istenen sonuç elde edilmeden düşerse, bilezik ayarını yükselin ve vidayı sıkmaya devam edin. Doğru ayara ulaşıncaya kadar tekrarlayın. Kalan vidalar için de bu ayarı kullanın.

### Vites mandalı (Şekil F)

Aletin iki hızlı vites kutusu özelliği ile çok amaçlı kullanım için vitesler arasında geçiş yapmanızı sağlar.

- ▶ Düşük vitesi (yüksek tork ayarı, konum 1) seçmek için aleti kapatın ve durmasını bekleyin. Vites mandalını (4) mandrenin uzağa kaydırın.
- ▶ Yüksek vitesi (düşük tork ayarı, konum 2) seçmek için aleti kapatın ve durmasını bekleyin. Vites mandalını mandrene doğru kaydırın.

**Not:** Alet çalışırken vites değiştirmeyin. Vites değiştirirken sorun yaşıyorsanız vites mandalının tamamen ileri veya tamamen geri itildiğinden emin olun.

### Anahtarsız mandren (Şekil G)

⚠ **UYARI!** Aletin çalışmasını önlemek için aksesuarları takıp çıkarmadan önce, akünün aletten çıkarıldığından emin olun.

Matkap ucu veya diğer aksesuarların takılması:

1. Mandrenin arka kısmından görüldüğü şekilde, mandreni (5) tutun ve saatin ters yönünde çevirin.

2. Ucu mandrene sonuna kadar sokun ve mandrenin arka kısmından görüldüğü şekilde, mandreni çevirerek sağlam bir şekilde sıkın.



**UYARI !** Mandrenin ön kısmını tutarak ve aleti çalıştırarak matkap uçları (veya başka bir aksesuarı) sıkmaya veya gevşetmeye kalkışmayın. Aksesuar değiştirme sırasında mandrenin zarar görmesine ve kişisel yaralanmaya neden olabilir.

### Vida takma ve sökme

- ▶ Vidaları sıkılmak için ileri/geri kontrol düğmesini sola itin.
  - ▶ Vidaları sökmek için geri dönmeyi kullanın (düğmeyi sağa iterek).
- Not:** Dönme yönü değiştirirken daima ilk önce açma/kapama tetiğini bırakın.

### Delme

- ▶ Yalnızca keskin matkap uçlarını kullanın.
- ▶ Güvenlik talimatlarında belirtildiği gibi çalışılan parçayı düzgün bir şekilde destekleyin.
- ▶ Güvenlik talimatlarında belirtildiği gibi uygun ve gerekli koruyucu ekipmanlarını kullanın.
- ▶ Güvenlik talimatlarında belirtildiği gibi çalışma alanını destekleyin ve bakımlı tutun.
- ▶ Delik matkap ucu dışarı kaymayacak kadar yeterli boyutuna ulaşıncaya matkabı, hafif bir baskı uygulayarak çok yavaş çalıştırın.
- ▶ Matkap ucuna düz bir çizgide hafif bir baskı uygulayın. Ucu yeterli bir baskı uygulayın, ama motor duracak ya da uç sekecek kadar değil.
- ▶ Bir el ana kolun, diğer el akü alt kısmını veya eğer varsa yan tutma kolun üzerinde olacak şekilde **matkabı iki elinizle sıkıca tutun.**

▶ **Aniden durmuş veya sıkışmış matkabı yeniden çalıştırmak için açma/kapama tetiğine sürekli basmaya kalkışmayın. Bu matkaba zarar verebilir.**

- ▶ Çalışma parçasını delip geçme aşamasında sıkışmayı en aza indirmek için baskıyı azaltın ve deliğin son kısmını yavaşça delin.
- ▶ Ucu açılmış deliğinden çekerken motor çalışmasını sağlayın. Bu sıkışma azaltmaya yardımcı olacaktır.
- ▶ **Tetik aleti açtığından ve kapattığından emin olun.**

## Ahşapta delme

Ahşapta delikler metal için kullanılan aynı matkap uçları veya geniş ağızlı ahşap uçları ile delinebilir. Bu uçlar çok keskin olmalı ve delme sırasında oluklardan talaşların temizlenmesi için sık sık delikten dışarı çıkartılmalıdır.

## Metalde delme

Metalleri delerken bir yağlayıcı kullanın. Döküm demir ve pirinç istisna olarak kuruyken delinmelidir. Kükürtlenmiş veya domuz yağı en uygun yağlardır.

## LED aydınlatma

Açma/kapama tetiğine (1) basarak matkabı çalıştırınca entegre LED aydınlatma (8) otomatik olarak çalışma alanını aydınlatır.

**Not:** Bu aydınlatma sadece çalışma alanını aydınlatmak için tasarlanmıştır; fener olarak kullanım için değildir.

## Uçların saklanması

Alet tabanında entegre uç yuvası (9) bulunmaktadır.

## BAKIM

Aleti temizlemek için, sadece yumuşak sabun ve nemli bir bez kullanın. Aletin içine sıvı kaçmasına kesinlikle izin vermeyin; aletin herhangi bir parçasını bir sıvı içine daldırmayın.



**ÖNEMLİ!** Alet **EMNİYET GÜVENLİĞİ** ve **GÜVENİLİRLİK** için bu kılavuzda belirtilenler dışında tamir, bakım ve ayarlamaların her zaman orijinal yedek parça kullanılarak, yetkili servisler tarafından yapılması gerekmektedir. Aletin içinde bakımı kullanıcı tarafından yapılabilecek herhangi bir parça yoktur.

## AKSESUARLAR



**UYARI!** STANLEY tarafından tedarik veya tavsiye edilenler dışındaki aksesuarlar bu ürün üzerinde test edilmediğinden, söz konusu aksesuarların bu aletle birlikte kullanılması tehlikeli olabilir. Yaralanma riskini azaltmak için bu ürünle birlikte sadece STANLEY tarafından tavsiye edilen aksesuarlar kullanılmalıdır.

## ÇEVRENİN KORUNMASI



Ayrı olarak atın. Bu ürün, normal evsel atıklarla birlikte atılmamalıdır.



STANLEY ürününüzün değiştirilmesi gerektiğini düşünmeniz veya artık kullanılamaz durumda olması halinde onu, evsel atıklarla birlikte atmayın. Bu ürünü, ayrı olarak toplanacak şekilde atın.



STANLEY, hizmet ömrünün sonuna ulaşan STANLEY ürünlerinin toplanması ve geri dönüşüme sokulması için bir imkân sunmaktadır. Bu hizmetin avantajlarından faydalanmak için, lütfen, ürününüzü bizim adımıza teslim alacak herhangi bir yetkili servise iade edin.

Bu kılavuzda belirtilen listeden size en yakın STANLEY yetkili tamir servisinin yerini öğrenebilirsiniz. Ya da, alternatif olarak internet'ten STANLEY yetkili tamir servislerinin listesini ve satış sonrası hizmetlerimizle ilgili tüm bilgiler ve temas bilgilerine aşağıdaki siteden ulaşabilirsiniz. [www.2helpU.com](http://www.2helpU.com)



## AKÜLER

STANLEY aküleri defalarca yeniden şarj edilebilir. Hizmet ömürlerinin sonunda, aküleri çevremize gerekli özeni göstererek atın:

► Aküyü bitene kadar aleti çalıştırın, sonra aletten çıkartın.

► NiCd, NiMH ve Li-Ion aküler geri dönüşümlüdür.

Aküleri yetkili servise veya yerel toplama merkezine teslim edin.

## Notlar

Stanley politikası gibi, ürünlerimizi sürekli iyileştirme amacıyla önceden haber vermeden ürün özelliklerini değiştirme hakkını saklı tutarız.

- Standart ekipman ve aksesuarlar ülkeye göre değişebilir.
- Ürün özellikleri ülkelere göre farklı olabilir.
- Komple ürün çeşidi tüm ülkelerde geçerli olmayabilir. Ürün çeşidi durumu hakkında lütfen en yakın Stanley yetkili servisiyle temas kurun.

## Teknik özellikleri

		SCD20
Voltaj	V	18
Yüksüz hız	dev/dak	0-350
		0-1500
Maks. tork	Nm	29.4
Çıkış Gücü(MWD)	W	283
Mandren kapasitesi	mm	13
Şarj Cihazı	SC201/ SC202	
Giriş voltajı	V <sub>AC</sub>	220-240
Çıkış voltajı	V <sub>DC</sub>	18
Çıkış akımı(DC)	A	1.0/ 2.0
Yaklaşık şarj süresi	dak.	75/ 45
Akü	SB20C	
Voltaj	V <sub>DC</sub>	18
Kapasite	Ah	1.3
Akü tipi	Li-Ion	

### EN 60745'E GÖRE SES BASINCI DÜZEYİ:

Ses basıncı (LpA) 71,5 dB(A), belirsizlik (K) 3 dB(A)  
Akustik güç (LwA) 82,5 dB(A), belirsizlik (K) 3 dB(A)

### EN 60745'E GÖRE TESPİT EDİLEN TOPLAM TİTREŞİM DEĞERLERİ (ÜÇ YÖNÜN VEKTÖR TOPLAMI):

Metalde delme (ah, D) 3,5 m/s<sup>2</sup>, belirsizlik (K) 1,5 m/s<sup>2</sup>  
Yüksüz çalıştırma (ah, S) 1,0 m/s<sup>2</sup>, belirsizlik (K) 1,5 m/s<sup>2</sup>

### VİBRASYON

Teknik veriler ve uygunluk beyanati içerisinde belirtilen titreşim emisyon değerleri EN60745 tarafından belirlenen standart bir test yöntemine uygun olarak ölçülmektedir ve diğer bir aletle karşılaştırma yaparken kullanılabilir. Beyan edilen titreşim emisyon değeri aynı zamanda maruz kalmanın önceden değerlendirilmesinde de kullanılabilir.

**UYARI!** Elektrikli aletin mevcut kullanımı sırasındaki titreşim emisyon değeri, aletin kullanım yöntemine bağlı olarak, beyan edilen değere göre farklılık sergileyebilir. Titreşim düzeyi belirlenen seviyenin üzerinde artış gösterebilir.

İşyerinde düzenli olarak elektrikli alet kullanan çalışanları korumak amacıyla 2002/44/EC tarafından getirilen elektrik güvenliği önlemlerini belirlemek üzere titreşime maruz kalmayı değerlendirirken, çalışma döngüsü içerisinde örneğin aletin kapalı olduğu ve aktif durumda olmasının yanı sıra boşta çalıştığı zamanlar gibi, bütün zaman dilimleri dahil olmak üzere mevcut kullanım durumu ve aletin kullanım şekli göz önünde bulundurularak değerlendirilmelidir.

### SERVİS BİLGİLERİ

STANLEY, kendisine ait ve yetkili servisler ile tam bir servis ağı sunmaktadır. Tüm STANLEY Servis Merkezleri müşterilere etkili ve güvenilir elektrikli el aleti hizmeti sunmak için eğitimli personel ile donatılmıştır. Yetkili servis merkezlerimiz hakkında daha fazla bilgi almak istiyorsanız veya teknik danışmanlık, onarım ya da orijinal fabrika yedek parçası ihtiyacınız varsa, size en yakın STANLEY satış noktasına başvurun.

### İKİ YIL GARANTİ

Sahip olduğunuz STANLEY ürünü satın alma tarihinden itibaren 24 ay içinde hatalı malzeme veya işçilik nedeniyle bozulursa, STANLEY aşağıdaki şartlara uyulması koşuluyla ücretsiz olarak tüm kusurlu parçaların yenilenmesini veya -kendi inisiyatifine bağlı olarak- satın alınan ürünün değiştirilmesini garanti eder:

- Ürün, hatalı kullanılmamış kullanım kılavuzuna uygun kullanılmıştır.
- Ürün yıpranmamış, hırpalanmamış ve aşınmamıştır;
- Yetkili olmayan kişilerce tamire çalışılmamıştır.
- Satın alma belgesi (fatura) ibraz edilmiştir;
- STANLEY ürünü, tüm orijinal parçaları ile birlikte iade edilmiştir;

Garanti talebinde bulunmak için, lütfen satıcıyla irtibata geçin veya STANLEY katalogunda belirtilen size en yakın STANLEY yetkili satıcı adresini kontrol edin veya ürünün kılavuzunda belirtilen adresteki yerel STANLEY yetkili tamir servisi ile temas kurun. İnternet'ten STANLEY yetkili tamir servislerinin listesine ve satış sonrası hizmetlerimizle ilgili tüm bilgilerine aşağıdaki siteden ulaşabilirsiniz: [www.2helpU.com](http://www.2helpU.com)

**AT Uygunluk Beyanati**

MAKINE DIREKTIFI

**SCD20 – Matkap/Tornavida**

STANLEY, «teknik özellikleri» bölümünde açıklanan bu ürünlerin aşağıda belirtilen yönergelere uygun olduğunu beyan eder: 2006/42/EC, EN 60745-1:2009 + A11:2010, EN 60745-2-1:2010

Bu ürünler ayrıca 2004/108/EC (19/04/2016 tarihine kadar), 2014/30/EU (20/04/2016 tarihinden itibaren) ve 2011/65/EU Direktiflerine de uygundur. Daha fazla bilgi için, lütfen aşağıdaki adresten STANLEY ile irtibata geçin veya kılavuzun arkasına bakın.

Bu belge altında imzası bulunan yetkili, teknik dosyanın derlenmesinden sorumludur ve bu beyanı STANLEY adına vermiştir.

R.Laverick

Mühendislik Bölümü Müdürü

STANLEY, Europe, Egide Walschaertsstraat 14-18,

2800 Mechelen, Belçika

08.2015

## Назначение

Ваша дрель/винтовёрт STANLEY SCD20 предназначена для сверления отверстий и заворачивания саморезов в древесине, металле и пластике. Данный инструмент предназначен для профессионального и полупрофессионального использования.

## Инструкции по технике безопасности

### Общие правила безопасности при работе с электроинструментами



**Внимание! Внимательно прочтите все инструкции по безопасности и руководство по эксплуатации.**

Несоблюдение всех перечисленных ниже правил безопасности и инструкций может привести к поражению электрическим током, возникновению пожара и/или получению тяжелой травмы.

### Сохраните все инструкции по безопасности и руководство по эксплуатации для их дальнейшего использования.

Термин «Электроинструмент» во всех приведенных ниже указаниях относится к Вашему сетевому (с кабелем) или аккумуляторному (беспроводному) электроинструменту.

#### 1. Безопасность рабочего места

- a. **Содержите рабочее место в чистоте и обеспечьте хорошее освещение.** Плохое освещение или беспорядок на рабочем месте может привести к несчастному случаю.
- b. **Не используйте электроинструменты, если есть опасность возгорания или взрыва, например, вблизи легко воспламеняющихся жидкостей, газов или пыли.** В процессе работы электроинструмент создает искровые разряды, которые могут воспламенить пыль или горючие пары.
- c. **Во время работы с электроинструментом не подпускайте близко детей или посторонних лиц.** Отвлечение внимания может вызвать у Вас потерю контроля над рабочим процессом.

#### 2. Электробезопасность

- a. **Вилка кабеля электроинструмента должна соответствовать штепсельной розетке. Ни в коем случае не видоизменяйте вилку электрического кабеля. Не используйте соединительные**

**штепсели- переходники, если в силовом кабеле электроинструмента есть провод заземления.** Использование оригинальной вилки кабеля и соответствующей ей штепсельной розетки уменьшает риск поражения электрическим током.

- b. **Во время работы с электроинструментом избегайте физического контакта с заземленными объектами, такими как трубопроводы, радиаторы отопления, электроплиты и холодильники.** Риск поражения электрическим током увеличивается, если Ваше тело заземлено.
  - c. **Не используйте электроинструмент под дождем или во влажной среде.** Попадание воды в электроинструмент увеличивает риск поражения электрическим током.
  - d. **Бережно обращайтесь с электрическим кабелем. Ни в коем случае не используйте кабель для переноски электроинструмента или для вытягивания его вилки из штепсельной розетки. Не подвергайте электрической кабель воздействию высоких температур и смазочных веществ; держите его в стороне от острых кромок и движущихся частей инструмента.** Поврежденный или запутанный кабель увеличивает риск поражения электрическим током.
  - e. **При работе с электроинструментом на открытом воздухе используйте удлинительный кабель, предназначенный для наружных работ.** Использование кабеля, пригодного для работы на открытом воздухе, снижает риск поражения электрическим током.
  - f. **При необходимости работы с электроинструментом во влажной среде используйте источник питания, оборудованный устройством защитного отключения (УЗО).** Использование УЗО снижает риск поражения электрическим током.
- #### 3. Личная безопасность
- a. **При работе с электроинструментами будьте внимательны, следите за тем, что Вы делаете, и руководствуйтесь здравым смыслом. Не используйте электроинструмент, если Вы устали, а также находясь под действием алкоголя или понижающих реакцию лекарственных препаратов и других средств.** Малейшая неосторожность при работе с электроинструментами может привести к серьезной травме.
  - b. **При работе используйте средства индивидуальной защиты. Всегда надевайте защитные очки.** Своевременное использование защитного снаряжения, а именно: пылезащитной маски, ботинок



- на скользящей подошве, защитного шлема или противозумовых наушников, значительно снизит риск получения травмы.
- с. Не допускайте непреднамеренного запуска. Перед тем, как подключить электроинструмент к сети и/или аккумулятору, поднять или перенести его, убедитесь, что выключатель находится в положении «выключено».** Не переносите электроинструмент с нажатой кнопкой выключателя и не подключайте к сетевой розетке электроинструмент, выключатель которого установлен в положение «включено», это может привести к несчастному случаю.
- d. Перед включением электроинструмента снимите с него все регулировочные или гаечные ключи.** Регулировочный или гаечный ключ, оставленный закрепленным на вращающейся части электроинструмента, может стать причиной тяжелой травмы.
- e. Работайте в устойчивой позе. Всегда сохраняйте равновесие и устойчивую позу.** Это позволит Вам не потерять кон- троль при работе с электроинструментом в непредвиденной ситуации.
- f. Одевайтесь соответствующим образом. Во время работы не надевайте свободную одежду или украшения. Следите за тем, чтобы Ваши волосы, одежда или перчатки находились в постоянном отдалении от движущихся частей инструмента.** Свободная одежда, украшения или длинные волосы могут попасть в движущиеся части инструмента.
- g. Если электроинструмент снабжен устройством сбора и удаления пыли, убедитесь, что данное устройство подключено и используется надлежащим образом.** Использование устройства пылеудаления значительно снижает риск возникновения несчастного случая, связанного с запыленностью рабочего пространства.
- 4. Использование электроинструментов и технический уход**
- a. Не перегружайте электроинструмент. Используйте Ваш инструмент по назначению.** Электроинструмент работает надежно и безопасно только при соблюдении параметров, указанных в его технических характеристиках.
- b. Не используйте электроинструмент, если его выключатель не устанавливается в положение включения или выключения.** Электроинструмент с неисправным выключателем представляет опасность и подлежит ремонту.
- с. Отключайте электроинструмент от сетевой розетки и/или извлекайте аккумулятор перед регулированием, заменой принадлежностей или при хранении электроинструмента.** Такие меры предосторожности снижают риск случайного включения электроинструмента.
- d. Храните неиспользуемые электроинструменты в недоступном для детей месте и не позволяйте лицам, не знакомым с электроинструментом или данными инструкциями, работать с электроинструментом.** Электроинструменты представляют опасность в руках неопытных пользователей.
- e. Регулярно проверяйте исправность электроинструмента. Проверяйте точность совмещения и легкость перемещения подвижных частей, целостность деталей и любых других элементов электроинструмента, воздействующих на его работу. Не используйте неисправный электроинструмент, пока он не будет полностью отремонтирован.** Большинство несчастных случаев являются следствием недостаточного технического ухода за электроинструментом.
- f. Следите за острой заточкой и чистотой режущих принадлежностей.** Принадлежности с острыми кромками позволяют избежать заклинивания и делают работу менее утомительной.
- g. Используйте электроинструмент, аксессуары и насадки в соответствии с данным Руководством и с учетом рабочих условий и характера будущей работы.** Использование электроинструмента не по назначению может создать опасную ситуацию.
- 5. Использование аккумуляторных инструментов и технический уход**
- a. Заряжайте аккумулятор зарядным устройством указанной производителем марки.** Зарядное устройство, которое подходит к одному типу аккумуляторов, может создать риск возгорания в случае его использования с аккумуляторами другого типа.
- b. Используйте электроинструменты только с предназначенными для них аккумуляторами.** Использование аккумулятора какой-либо другой марки может привести к возникновению пожара и получению травмы.
- с. Держите не используемый аккумулятор подальше от металлических предметов, таких как скрепки, монеты, ключи, гвозди, шурупы, и других мелких металлических предметов, которые могут замкнуть контакты аккумулятора.** Короткое замыкание контактов аккумулятора может привести к получению ожогов или возникновению пожара.
- d. В критических ситуациях из аккумулятора может вытечь жидкость (электролит); избегайте**

контакта с кожей. Если жидкость попала на кожу, смойте ее водой. Если жидкость попала в глаза, обращайтесь за медицинской помощью. Жидкость, вытекшая из аккумулятора, может вызвать раздражение или ожоги

## 6. Техническое обслуживание

- a. Ремонт Вашего электроинструмента должен производиться только квалифицированными специалистами с использованием идентичных запасных частей. Это обеспечит безопасность Вашего электроинструмента в дальнейшей эксплуатации.

## Дополнительные специальные правила безопасности при использовании дрелей/винтовёртов

- При сверлении с ударом всегда надевайте противозошумовые наушники. Воздействие шума может привести к потере слуха.
- При работе пользуйтесь дополнительными рукоятками, если они прилагаются к инструменту. Потеря контроля над инструментом может привести к получению тяжёлой травмы.
- Держите инструмент за изолированные ручки при выполнении операций, во время которых режущий инструмент может соприкасаться со скрытой проводкой. Контакт насадки с находящимся под напряжением проводом делает не покрытые изоляцией металлические части электроинструмента также «живыми», что создаёт опасность поражения оператора электрическим током.

## Остаточные риски

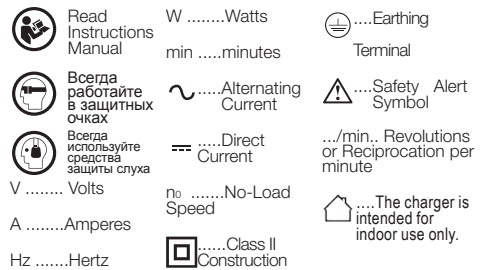
Несмотря на соблюдение соответствующих инструкций по технике безопасности и использование предохранительных устройств, некоторые остаточные риски невозможно полностью исключить.

К ним относятся:

- Ухудшение слуха.
- Риск получения травмы от разлетающихся частиц.
- Риск получения ожогов от принадлежностей и насадок, которые в процессе работы сильно нагреваются.
- Риск получения травмы, связанный с продолжительным использованием инструмента.

## Маркировка инструмента

Наравне с кодом даты на инструменте могут находиться следующие знаки:



## Положение даты штрих-кода

Дата кода, который также включает год изготовления, печатается на корпусе.

Пример: □

2015 XX JN  
Год изготовления

## Важные инструкции по безопасности для всех зарядных устройств

**СОХРАНИТЕ ДАННЫЕ ИНСТРУКЦИИ:** Данное руководство содержит важные инструкции по эксплуатации и технике безопасности для зарядного устройства SC201.

- Перед началом эксплуатации зарядного устройства прочитайте все инструкции и ознакомьтесь с предупредительными символами на зарядном устройстве, аккумуляторе и продукте, работающем от аккумулятора.



**ВНИМАНИЕ:** Опасность поражения электрическим током. Не допускайте попадания жидкости внутрь зарядного устройства. Это может привести к поражению электрическим током.



**ПРЕДУПРЕЖДЕНИЕ:** Опасность получения ожога. Для снижения риска получения травмы, заряжайте только перезаряжаемые аккумуляторы марки STANLEY. Аккумуляторы других марок могут взорваться, что приведёт к получению травмы или повреждению зарядного устройства.



**ПРЕДУПРЕЖДЕНИЕ:** Не позволяйте детям играть с электроинструментом.

**ПРЕДУПРЕЖДЕНИЕ:** В определенных условиях, когда зарядное устройство подключено к электросети, оно может быть закорочено посторонним материалом. Не допускайте попадания токопроводящих

материалов, таких как шлифовальная пыль, металлическая стружка, стальная проволока, алюминиевая фольга или слой металлических частиц и других подобных материалов в гнезда зарядного устройства. Всегда отключайте зарядное устройство от электросети, если в его гнезде нет аккумулятора. Отключайте зарядное устройство от электросети перед чисткой.

- **НЕ пытайтесь заряжать аккумулятор зарядными устройствами марок, не указанных в данном руководстве.** Зарядное устройство и аккумулятор специально разработаны для совместного использования.
- **Данные зарядные устройства не предусмотрены для зарядки аккумуляторов других марок, кроме STANLEY.** Попытка зарядить аккумулятор другой марки может привести к риску возникновения пожара, поражения электрическим током или смерти от электрического тока.
- **Не подвергайте зарядное устройство воздействию дождя или снега!**
- **Отключайте зарядное устройство от электросети, вынимая вилку из розетки, а не потянув за кабель!** Это снижает риск повреждения электрической вилки и кабеля.
- **Располагайте кабель таким образом, чтобы на него нельзя было наступить, споткнуться об него, или иным способом повредить или сильно натянуть!**
- **Используйте удлинительный кабель только в случае крайней необходимости!** Использование несоответствующего удлинительного кабеля может создать риск возникновения пожара, поражения электрическим током или смерти от электрического тока.
- **Не кладите на верхнюю часть зарядного устройства какой-либо предмет и не ставьте зарядное устройство на мягкую поверхность, это может блокировать вентиляционные прорези и вызвать чрезмерный внутренний нагрев!** Располагайте зарядное устройство вдали от источника тепла. Вентиляция зарядного устройства происходит через прорези, расположенные в верхней и нижней части его корпуса.
- **Не эксплуатируйте зарядное устройство, если его кабель или вилка повреждены** — сразу же замените повреждённые детали.
- **Не эксплуатируйте зарядное устройство, если оно получило повреждение вследствие сильного удара или падения или иного внешнего воздействия!** Отнесите его в авторизованный сервисный центр.
- **Не разбирайте зарядное устройство самостоятельно; для проведения технического**

**обслуживания или ремонта отнесите его в авторизованный сервисный центр.** Неправильная сборка может привести к риску поражения электрическим током или смерти от электрического тока.

- В случае повреждения электрического кабеля для предотвращения получения травмы он должен быть немедленно заменён производителем, его сервисным агентом или другим квалифицированным специалистом.
- **Перед каждой операцией чистки отключайте зарядное устройство от электросети. Это снизит риск поражения электрическим током.** Извлечение аккумулятора из зарядного устройства не приводит к снижению этого риска.
- **НИКОГДА** не пытайтесь подключать 2 зарядных устройства одновременно!
- **Зарядное устройство рассчитано на работу от стандартной бытовой электросети. Не пытайтесь подключать его к источнику с другим напряжением.** Данное указание не относится к автомобильному зарядному устройству.

## СОХРАНИТЕ ДАННЫЕ ИНСТРУКЦИИ

### Зарядные устройства

Зарядные устройства SC201/ SC202 предназначены для зарядки аккумуляторов напряжением 18 В.

Данные зарядные устройства не требуют регулировки и являются наиболее простыми в эксплуатации.

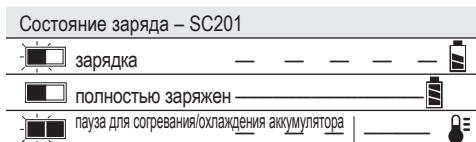
### Процедура зарядки (Рис. 2)

1. Перед тем как вставить аккумулятор, подключите вилку зарядного устройства (j) к соответствующей сетевой розетке.
2. Вставьте аккумулятор (g) в зарядное устройство. Красный индикатор зарядки начнёт непрерывно мигать, указывая на начало процесса зарядки.
3. После завершения зарядки красный индикатор переходит в режим непрерывного свечения. Аккумулятор полностью заряжен, и его можно использовать с инструментом или оставить в зарядном устройстве.

**ПРИМЕЧАНИЕ:** Для достижения максимальной производительности и продления срока службы Li-Ion аккумуляторов, перед первым использованием полностью зарядите аккумулятор.

### Процесс зарядки

Состояние заряда аккумулятора смотрите в приведённой ниже таблице:



## ПАУЗА ДЛЯ СОГРЕВАНИЯ/ОХЛАЖДЕНИЯ АККУМУЛЯТОРА

### SC201/ SC202

Если зарядное устройство определит, что аккумулятор чрезмерно перегрет, оно автоматически остановит зарядку, пока аккумулятор не охладится.

Если зарядное устройство определит, что аккумулятор чрезмерно охлаждён, оно автоматически остановит зарядку, пока аккумулятор не согреется.

Красный индикатор зарядки будет продолжать мигать, тогда как жёлтый индикатор загорится только во время паузы для согревания/охлаждения аккумулятора. Как только аккумулятор охладится, жёлтый индикатор погаснет, и зарядное устройство продолжит процесс зарядки аккумулятора.

Инструменты Stanley Li-Ion спроектированы по Электронной Защитной Системе, которая защищает аккумулятор от перегрузки, перегрева или глубокой разрядки.

При срабатывании Электронной Защитной Системы инструмент автоматически отключится. Если это произошло, поместите Li-Ion аккумулятор в зарядное устройство до его полной зарядки.

### ТОЛЬКО ДЛЯ ИОННО-ЛИТИЕВЫХ (LI-ION) АККУМУЛЯТОРОВ

Аккумуляторы Li-Ion спроектированы по Электронной Защитной Системе, которая защищает аккумулятор от перегрузки, перегрева или глубокой разрядки.

При срабатывании Электронной Защитной Системы инструмент автоматически отключится. Если это произошло, поместите Li-Ion аккумулятор в зарядное устройство до его полной зарядки.

## Важные инструкции по безопасности для всех аккумуляторов

При заказе аккумуляторов для замены, не забывайте указывать их номер по каталогу и напряжение.

Извлечённый из упаковки аккумулятор заряжен не полностью. Перед началом эксплуатации аккумулятора и зарядного устройства, прочтите нижеследующие инструкции по безопасности. Затем приступайте к установленной процедуре зарядки.

## ПРОЧТИТЕ ВСЕ ИНСТРУКЦИИ

- Не заряжайте и не используйте аккумулятор во взрывоопасной атмосфере, например, в присутствии легко воспламеняющихся жидкостей, газов или пыли. При установке или извлечении аккумулятора из зарядного устройства пыль или газы могут воспламениться.
- Не вставляйте аккумулятор в зарядное устройство силой. никоим образом не видоизменяйте аккумулятор для установки в не предназначенное для него зарядное устройство – аккумулятор может расколоться, что приведёт к получению тяжёлой телесной травмы.
- Заряжайте аккумуляторы только зарядными устройствами STANLEY.
- НЕ брызгайте и не погружайте в воду или другие жидкости.
- Не храните и не используйте инструмент и аккумулятор в местах, в которых температура может достичь или превысить 40 °C (например, наружные навесы или строения из металла в летнее время).



**ВНИМАНИЕ:** Ни в коем случае не пытайтесь разобрать аккумулятор. Не вставляйте в зарядное устройство аккумулятор с треснутым или повреждённым корпусом. Не разбивайте, не бросайте и не ломайте аккумулятор. Не используйте аккумуляторы или зарядные устройства, которые подверглись воздействию резкого удара, удара при падении, попали под тяжёлый предмет или были повреждены каким-либо другим образом (например, проткнуты гвоздём, попали под удар молотка или под ноги). Это может привести к поражению электрическим током или смерти от электрического тока. Повреждённые аккумуляторы должны возвращаться в сервисный центр на переработку.



**ПРЕДУПРЕЖДЕНИЕ:** Кладите не используемый инструмент набок на устойчивую поверхность в месте, в котором он не создаёт опасность, что об него могут споткнуться и упасть. Некоторые инструменты с аккумуляторами больших размеров ставятся на аккумулятор в вертикальном положении, но их легко опрокинуть.

## СПЕЦИАЛЬНЫЕ ИНСТРУКЦИИ ПО БЕЗОПАСНОСТИ ДЛЯ ИОННО-ЛИТИЕВЫХ (LI-ION) АККУМУЛЯТОРОВ

- Не сжигайте аккумулятор, даже если он сильно повреждён или полностью изношен. Аккумулятор в огне может взорваться. При горении ионно-литиевых аккумуляторов выделяются токсичные пары и частицы.

- Если содержимое аккумулятора попало на кожу, немедленно промойте поражённый участок водой с мягким мылом. Если аккумуляторная жидкость попала в глаз, промывайте открытый глаз в течение 15 минут, пока не исчезнет раздражение. Если необходимо обратиться за медицинской помощью, медиков следует поставить в известность, что аккумуляторный электролит состоит из смеси жидкого органического карбоната и солей лития.
- Содержимое открытых элементов аккумулятора может вызывать раздражение органов дыхания. Обеспечьте приток свежего воздуха. Если симптомы сохраняются, обратитесь за медицинской помощью



**ВНИМАНИЕ:** Опасность получения ожога. Аккумуляторная жидкость может воспламениться при попадании искры или пламени..

## Транспортировка

Аккумуляторы STANLEY соответствуют всем применимым правилам транспортировки, прописанным производителем, а также национальным стандартам, включающим в себя Рекомендации ООН по перевозке опасных грузов; правила Международной ассоциации воздушного транспорта (IATA) по перевозке опасных грузов, правила Международного морского кодекса по опасным грузам (IMDG) и Европейское соглашение о перевозке опасных грузов автотранспортом (ADR). Каждый ионно-литиевый элемент или аккумулятор протестирован в соответствии с требованиями к испытаниям, указанными в подразделе 38.3 части по испытаниям и критериям Рекомендаций ООН по перевозке опасных грузов.

В большинстве случаев, перевозимый аккумулятор STANLEY освобождается от необходимости быть классифицированным, поскольку является материалом 9 класса опасности. Принадлежность к 9 классу опасности учитывается только в двух случаях:

1. Авиаперевозка более чем двух ионно-литиевых аккумуляторов STANLEY при наличии в упаковке только аккумуляторов (без инструментов), и
2. Любой вид перевозки ионно-литиевых аккумуляторов с удельной мощностью, превышающей 100 ватт-часов (Втч). Удельная мощность в ватт-часах указана на корпусе ионно-литиевого аккумулятора.

Вне зависимости от условий перевозки в обязанности грузоотправителя входит уточнение и получение информации о последних действующих правилах упаковки, маркировки и требований к документации.

Во время перевозки аккумуляторов существует риск возгорания при случайном контакте клемм аккумулятора с токопроводящими материалами. При перевозке аккумуляторов убедитесь, что клеммы аккумулятора защищены и надёжно изолированы от любых материалов, контакт с которыми способен вызвать короткое замыкание.

Информация данного раздела руководства по эксплуатации была предоставлена добровольно и на момент создания документа является полностью достоверной. Однако не было дано никаких гарантий - явно выраженных или подразумеваемых. Деятельность в соответствии с правилами и нормами полностью является ответственностью покупателя.

## Аккумулятор

### ТИП АККУМУЛЯТОРА

SCD20 заряжает аккумуляторы напряжением 18 В.

### Рекомендации по хранению

1. Оптимальным местом для хранения является холодное и сухое место, вдали от прямых солнечных лучей и источников избыточного тепла или холода. Для увеличения производительности и срока службы, храните не используемые аккумуляторы при комнатной температуре.
2. Для обеспечения долгого срока службы аккумуляторов, при длительном хранении рекомендуется убирать полностью заряженные аккумуляторы в сухое прохладное место вдали от зарядного устройства.

**ПРИМЕЧАНИЕ:** Не убирайте на хранение полностью разряженные аккумуляторы. Перед использованием аккумулятор потребует зарядить.

### Символы на зарядном устройстве и аккумуляторе

В дополнение к пиктограммам, содержащимся в данном руководстве по эксплуатации, на зарядном устройстве и аккумуляторе имеются символы, которые отображают следующие:



Перед использованием внимательно прочтите данное руководство по эксплуатации.



Время зарядки см. в разделе «Технические характеристики».



Аккумулятор заряжается.



Аккумулятор заряжен.



Аккумулятор неисправен.



Пауза для согревания/охлаждения аккумулятора.



Не касайтесь токопроводящими предметами контактов аккумулятора и зарядного устройства.



Ни в коем случае не пытайтесь заряжать повреждённый аккумулятор!



Не погружайте аккумулятор в воду.



Немедленно замените повреждённый сетевой кабель.



Заряжайте аккумулятор при температуре окружающей среды в пределах 4°C-40°C.



Для использования только внутри помещений.



Утилизируйте отработанный аккумулятор безопасным для окружающей среды способом!



Заряжайте аккумуляторы STANLEY только зарядными устройствами STANLEY. Зарядка аккумуляторов других марок зарядными устройствами STANLEY может привести к протечке или взрыву аккумулятора и другим опасным ситуациям.



Не бросайте аккумулятор в огонь.

2. Длительное хранение не влияет отрицательно на аккумулятор или зарядное устройство.

## ОПИСАНИЕ (РИС. А)

1. Курковый пусковой выключатель
2. Переключатель направления вращения (реверса)
3. Муфта установки крутящего момента
4. Переключатель скоростей
5. Быстрозажимной патрон
6. Аккумулятор
7. Отпирающая кнопка аккумулятора
8. Светодиодная подсветка
9. Гнездо для хранения насадок

## НАЗНАЧЕНИЕ

Данная дрель/винтовёрт предназначена для выполнения операций в лёгком режиме по сверлению и заворачиванию.

**НЕ ИСПОЛЬЗУЙТЕ** инструмент во влажных условиях или при наличии в окружающем пространстве легко воспламеняющихся жидкостей или газов.

Данная дрель/винтовёрт является профессиональным электроинструментом.

**НЕ РАЗРЕШАЙТЕ** детям прикасаться к инструменту. Неопытные пользователи всегда должны работать под наблюдением.

- Данное изделие не может использоваться людьми (включая детей) со сниженными физическими, сенсорными и умственными способностями или при отсутствии необходимого опыта или навыка, за исключением, если они выполняют работу под присмотром лица, отвечающего за их безопасность. Не оставляйте детей с инструментом без присмотра.

## Комплект поставки

В упаковку входят:

- 1 Дрель/винтовёрт
- 1 Зарядное устройство
- 2 Аккумулятора (C2) или 1 аккумулятор (C1)
- 1 Руководство по эксплуатации

**ПРИМЕЧАНИЕ:** Аккумуляторы и зарядные устройства не входят в комплект поставки моделей N.

- Проверьте инструмент, детали и дополнительные приспособления на наличие повреждений, которые могли произойти во время транспортировки.
- Перед началом работы необходимо внимательно прочитать настоящее руководство и принять к сведению содержащуюся в нем информацию.

## РЕКОМЕНДАЦИИ ПО ХРАНЕНИЮ

1. Оптимальным местом для хранения является холодное и сухое место, вдали от прямых солнечных лучей и источников избыточного тепла или холода.

## Электробезопасность

Электрический двигатель рассчитан на работу только при одном напряжении электросети. Всегда следите, чтобы напряжение аккумулятора соответствовало напряжению, обозначенному на паспортной табличке электроинструмента. Также убедитесь, что напряжение Вашего зарядного устройства соответствует напряжению электросети.



Ваше зарядное устройство STANLEY имеет двойную изоляцию в соответствии со стандартом EN 60335, что исключает потребность в заземляющем проводе.

Повреждённый кабель должен заменяться специально подготовленным кабелем, который можно получить в сервисном центре STANLEY.

## Использование удлинительного кабеля

Используйте удлинительный кабель только в случае крайней необходимости! Всегда используйте удлинительный кабель установленного образца, соответствующий входной мощности Вашего зарядного устройства (см. раздел «Технические характеристики»). Минимальный размер проводника должен составлять 1 мм<sup>2</sup>; максимальная длина кабеля не должна превышать 30 м.

При использовании кабельного барабана, всегда полностью разматывайте кабель.

## Сборка и регулировка



**ВНИМАНИЕ:** Перед сборкой и регулировкой инструмента всегда извлекайте аккумулятор. Перед установкой или снятием аккумулятора всегда выключайте инструмент.



**ВНИМАНИЕ:** Используйте аккумуляторы и зарядные устройства только марки STANLEY.

## Установка и извлечение аккумулятора (Рис. 3)



**ВНИМАНИЕ: ДЛЯ СНИЖЕНИЯ РИСКА ПОЛУЧЕНИЯ ТЯЖЕЛОЙ ТРАВМЫ, УСТАНОВЛИВАЙТЕ ПЕРЕКЛЮЧАТЕЛЬ НАПРАВЛЕНИЯ ДВИЖЕНИЯ В ПОЛОЖЕНИЕ БЛОКИРОВКИ ИЛИ ВЫКЛЮЧАЙТЕ ИНСТРУМЕНТ И ИЗВЛЕКАЙТЕ АККУМУЛЯТОР ПЕРЕД КАЖДОЙ ОПЕРАЦИЕЙ РЕГУЛИРОВКИ ИЛИ СНЯТИЕМ/УСТАНОВКОЙ ПРИНАДЛЕЖНОСТЕЙ И НАСАДОК.**  
Непреднамеренный запуск инструмента может привести к получению травмы.

**ПРИМЕЧАНИЕ:** Убедитесь, что аккумулятор (g) полностью заряжен.

### ДЛЯ УСТАНОВКИ АККУМУЛЯТОРА В РУКОЯТКУ ИНСТРУМЕНТА

1. Совместите аккумулятор с бороздками внутри рукоятки инструмента.
2. Вдвигайте аккумулятор в рукоятку, пока не услышите, что замок защёлкнулся на месте.

### ДЛЯ ИЗВЛЕЧЕНИЯ АККУМУЛЯТОРА ИЗ ИНСТРУМЕНТА

1. Нажмите на отпирающую кнопку (f) и извлеките аккумулятор из рукоятки инструмента.
2. Вставьте аккумулятор в зарядное устройство, как описано в разделе «Зарядное устройство» данного руководства.

## ИНСТРУКЦИИ ПО ЭКСПЛУАТАЦИИ



### Правила безопасности и инструкции: Дрели



**ВНИМАНИЕ!** Перед использованием инструмента прочтите все инструкции и предупреждающие знаки на инструменте.



**ВНИМАНИЕ!** В случае перегрузки или в результате ненадлежащего использования дрель может внезапно остановиться, что приведёт к отскакиванию инструмента. Всегда определяйте причину останова. Крепко удерживайте дрель обеими руками, чтобы контролировать вращательное действие сверла и избежать потери контроля над инструментом и получения травмы. При внезапном останове немедленно отпустите курковый пусковой выключатель и определите причину останова, прежде чем продолжить прерванную работу.



### Курковый пусковой выключатель и переключатель направления вращения (Рис. D)



► Данная дрель включается и выключается путём нажатия и отпускания куркового пускового выключателя (1), как показано на **Рисунке D**. Чем сильнее нажмем на курковый выключатель, тем выше скорость инструмента.

► Переключатель направления вращения (2) устанавливает направление вращения инструмента, а также служит кнопкой блокировки.

► Для установки вращения вперёд, отпустите курковый выключатель и нажмите на переключатель направления вращения с правой стороны инструмента.

► Для установки реверса, нажмите на переключатель направления вращения с левой стороны инструмента.

► Кнопка переключателя, установленная в среднее положение, блокирует инструмент в состоянии «выключено». При изменении положения кнопки переключателя не забывайте отпускать курковый выключатель.

## Установка крутящего момента (Рис. Е)

Данный инструмент оборудован муфтой установки крутящего момента (3) для выбора режима работы и регулировки крутящего момента при заворачивании саморезов. Крупные саморезы и заготовки из твёрдых материалов нуждаются в более высоком крутящем моменте, чем мелкие саморезы и заготовки из мягких материалов.

- ▶ При сверлении в древесине, металле и пластике установите муфту напротив символа режима сверления
- ▶ При заворачивании установите муфту на цифре, соответствующей необходимому для работы крутящему моменту. Если Вы не знаете, какая из настроек в полной мере соответствует выполняемой операции, поступите следующим образом:
  - ▶ Установите муфту на позицию минимального крутящего момента.
  - ▶ Заверните первый саморез.
  - ▶ Если до завершения операции муфта пробуксовывает, увеличьте крутящий момент и продолжите заворачивание. Повторяйте это действие, пока не будет определена правильная величина крутящего момента. Используйте эту величину при заворачивании остальных саморезов.

## Переключатель скоростей (Рис. F)

2-х скоростной редуктор Вашего инструмента позволяет легко переключаться с одной скорости на другую для максимальной универсальности применения инструмента.

- ▶ Для установки низкой скорости/высокого крутящего момента (положение 1) выключите инструмент и дождитесь его полной остановки. Переведите переключатель скоростей (4) в направлении от патрона.
- ▶ Для установки высокой скорости/низкого крутящего момента (положение 2) выключите инструмент и дождитесь его полной остановки. Переведите переключатель скоростей назад в направлении патрона.

**Примечание:** Не переключайте скорость при работающем инструменте. Если у Вас возникли проблемы при переключении скоростей, убедитесь, что переключатель скоростей полностью переведён вперёд или назад.

## Быстрозажимной патрон (Рис. G)

**⚠ Внимание!** Чтобы предотвратить внезапный запуск инструмента, перед установкой или снятием насадок убедитесь, что из инструмента извлечён аккумулятор. Чтобы вставить сверло или другую насадку:

1. Развернув патрон задней стороной к себе, обхватите патрон (5) и поворачивайте его в направлении против часовой стрелки.
2. Вставьте хвостовик сверла или другой насадки в патрон до упора. Развернув патрон задней стороной к себе, надёжно затяните патрон, поворачивая его в направлении по часовой стрелке.



**Внимание!** Не пытайтесь закрепить или ослабить сверло (или какую-либо другую насадку), захватив переднюю часть патрона и одновременно включив инструмент. Это может привести к повреждению патрона и получению травмы при смене насадок.

## Заворачивание

- ▶ Для заворачивания саморезов полностью вдвиньте переключатель направления вращения влево.
- ▶ Для выкручивания саморезов используйте реверс (вдвинув переключатель вправо).

**Примечание:** При переключении направления вращения всегда сначала отпускайте курковый пусковой выключатель.

## Сверление

- ▶ Всегда используйте только остро заточенные сверла.
- ▶ Поддерживайте и закрепляйте заготовку надлежащим образом, как описано в Инструкциях по технике безопасности.
- ▶ Используйте надлежащее и соответствующее защитное оборудование, как описано в Инструкциях по технике безопасности
- ▶ Обеспечьте безопасность рабочего места, как описано в Инструкциях по технике безопасности.
- ▶ Прилагайте лёгкое давление на дрель, очень медленно начните сверление, пока высверливаемое отверстие не будет достаточного размера, чтобы из него не выскользнуло сверло.
- ▶ Прилагайте давление по прямой линии со сверлом. Давление должно быть достаточным для равномерного врезания сверла, но не слишком сильным, чтобы не вызвать останов двигателя или отклонение сверла.



- ▶ **Крепко удерживайте дрель обеими руками**, одной рукой обхватив основную рукоятку, другой рукой удерживая нижнюю часть аккумулятора или дополнительную рукоятку, если
- ▶ **При внезапном останове не пытайтесь запустить двигатель многократным нажатием на курковый пусковой выключатель. Это может привести к повреждению дрели.**
- ▶ Для сведения к минимуму риск внезапного останова ослабьте прилагаемое давление и медленно закончите высверливание отверстия.
- ▶ Не выключайте двигатель при извлечении сверла из высверленного отверстия. Это позволит снизить риск заклинивания сверла.
- ▶ **Убедитесь, что инструмент включается и выключается при нажатии и отпуске пускового выключателя.**

## Drilling in wood

Holes in wood can be made with the same twist drill bits used for metal or with spade bits. These bits should be sharp and should be pulled out frequently when drilling to clear chips from the flutes.

## Сверление в дереве

При сверлении металлов используйте смазочно-охлаждающую жидкость. Исключение составляют чугун и медь, которые нужно сверлить без смазки. Наиболее эффективные смазочные материалы – сульфированная СОЖ или льняное масло.

## Светодиодная подсветка

При нажатии на курковый пусковой выключатель (1) автоматически загорится встроенная светодиодная подсветка (8), освещающая рабочую зону.

**Note:** The work light is for lighting the immediate work surface and is not intended to be used as a flashlight.

## Хранение насадок

В основание инструмента встроено гнездо для хранения насадок (9).

## ТЕХНИЧЕСКОЕ ОБСЛУЖИВАНИЕ

Для чистки инструмента используйте только слабый мыльный раствор и влажную ткань. Не допускайте попадания какой-либо жидкости внутрь инструмента; ни в коем случае не погружайте какую-либо часть инструмента в жидкость.



**Важно!** В целях обеспечения безопасности и долговечности в использовании продукта ремонт, техническое обслуживание и регулировка (кроме перечисленных в данном руководстве по эксплуатации) должны производиться только в авторизованных сервисных центрах или других квалифицированных мастерских и только с использованием идентичных запасных частей. Внутри инструмента нет обслуживаемых пользователем деталей.

## ДОПОЛНИТЕЛЬНЫЕ ПРИНАДЛЕЖНОСТИ



**Внимание!** Поскольку принадлежности, отличные от тех, которые предлагает STANLEY, не проходили тесты на данном изделии, то использование этих принадлежностей может привести к опасной ситуации. Во избежание риска получения травмы, с данным продуктом должны использоваться только дополнительные принадлежности, рекомендованные STANLEY.

## Защита окружающей среды

Раздельный сбор. Данное изделие нельзя утилизировать вместе с обычными бытовыми отходами.

Если однажды Вы захотите заменить Ваше изделие STANLEY или Вы больше в нём не нуждаетесь, не выбрасывайте его вместе с бытовыми отходами. Отнесите изделие в специальный приёмный пункт.



Фирма STANLEY обеспечивает приём и переработку отслуживших свой срок изделий STANLEY. Чтобы воспользоваться этой услугой, Вы можете сдать Ваше изделие в любой авторизованный сервисный центр, который собирает их по нашему поручению.

Вы можете узнать место нахождения Вашего ближайшего авторизованного сервисного центра, обратившись в Ваш местный офис STANLEY по адресу, указанному в данном руководстве по эксплуатации. Кроме того, список авторизованных сервисных центров STANLEY и полную информацию о нашем послепродажном обслуживании и контактах Вы можете найти в интернете по адресу: [www.2helpU.com](http://www.2helpU.com).

## АККУМУЛЯТОРЫ

Аккумуляторы STANLEY можно подзаряжать неограниченное количество раз. По окончании срока службы утилизируйте отработанные аккумуляторы безопасным для окружающей среды способом:

- ▶ Полностью разрядите аккумулятор, затем извлеките его из инструмента.
- ▶ Li-Ion, NiCd и NiMH аккумуляторы подлежат переработке. Сдайте их в любой авторизованный сервисный центр или в местный пункт переработки.

## ПРИМЕЧАНИЯ

Политика Stanley нацелена на постоянное совершенствование нашей продукции, поэтому фирма оставляет за собой право изменять технические характеристики изделий без предварительного уведомления.

- Стандартное оборудование и дополнительные принадлежности могут меняться в зависимости от страны продаж.
- Технические характеристики продуктов могут различаться в зависимости от страны продаж.
- Полная линия продуктов присутствует на рынках не всех стран. Для получения информации касательно линии продуктов в Вашей стране обратитесь в ближайший сервисный центр Stanley.

## Технические характеристики

SCD20	
Напряжение Впост. Тока	18
Число оборотов без нагрузки об/мин	0-350 / 0-1500
Максимальный крутящий момент Нм	29.4
Power output(MWO)	W 283
Патрон мм	13
Зарядное устройство	SC201/ SC202
Напряжение питания Вперем. Тока	220-240
Выходное напряжение Впост. Тока	18
Ток А	1.0 / 2.0
Время зарядки мин	75 / 45
Аккумулятор	SB20C
Напряжение Впост. Тока	18
Емкость Ач	1.3
Тип Li-Ion	

## ИНФОРМАЦИЯ ПО ТЕХНИЧЕСКОМУ ОБСЛУЖИВАНИЮ

STANLEY имеет обширную сеть принадлежащих компании и авторизованных сервисных центров. В целях предоставления клиентам эффективного и надёжного технического обслуживания электроинструментов во всех сервисных центрах STANLEY работает обученный персонал. За дополнительной информацией о наших авторизованных сервисных центрах, а также, если Вы нуждаетесь в технической консультации, ремонте или покупке оригинальных запасных частей, обратитесь в ближайший к Вам сервисный центр STANLEY.



## Приложение к руководству по эксплуатации электроинструмента

### Дрела аккумуляторные

Модели: BDCD12\*, BDCD18\*, BDCD8\*, BDCDD12\*, BDCDD18\*, BDCDD186\*, BDCH188\*, BDCHD18\*, BDCHD18K\*, BDH18\*, BDH18K, BDK148\*, BDK148K\*, BDK188\*, BDK188K\*, DC0700\*, EPC182\*, EPC182K2, EPC188K\*, SCD12\*, SCD20\*, SC121\*, STCD12\*, STCD20\*, STCH12\*, STCH20\*, STCI1081\*, STCI12\*, STDC012\*, STDC100\*. - \* Сделано в Китае.  
Где символ "\*" - различные варианты исполнения изделия.

Сертификат №: RU C-DE.AЯ46.B.71081

Действителен до: 11 марта 2018 г.

Выдан: Орган по сертификации "РОСТЕСТ- Москва" ЗАО "Региональный орган по сертификации и тестированию", Адрес: 119049 г. Москва, улица Житная, д. 14, стр. 1; 117418, Москва, Нахимовский просп., 31 (фактический), Телефон: (499) 1292311, (495) 6682893; Факс: (495) 6682893, E-mail: office@rostest.ru,

Изготовитель: Блэк энд Деккер Холдингс ГмбХ

Германия, 65510, Идштайн,

ул. Блэк энд Деккер, 40

Уполномоченное изготовителем юр.лицо:

ООО "Стани Блэк энд Деккер", 117485, город Москва, улица Обручева,

дом 30/1, строение 2

Телефон: + 7 (495) 258-3981, Факс: + 7 (495) 258-3984, E-mail:

inbox@dewalt.com

Сведения о импортере указаны в сопроводительной документации и/или на упаковке

#### Транспортировка.

Категорически не допускается падение и любые механические воздействия на упаковку при транспортировке.

При разгрузке/погрузке не допускается использование любого вида техники, работающей по принципу зажима упаковки.

#### Перечень критических отказов, возможные ошибочные действия персонала.

Не допускается эксплуатация изделия:

-При появлении дыма из корпуса изделия

-При поврежденном и/или оголенном сетевом кабеле

-при повреждении корпуса изделия, защитного кожуха, рукоятки

-при попадании жидкости в корпус

-при возникновении сильной вибрации

-при возникновении сильного искрения внутри корпуса

#### Критерии предельных состояний.

-При поврежденном и/или оголенном сетевом кабеле

-при повреждении корпуса изделия

#### Хранение.

Необходимо хранить в сухом месте, вдали от источников повышенных температур и воздействия солнечных лучей. При хранении необходимо избегать резкого перепада температур. Хранение без упаковки не допускается

#### Срок службы.

Срок службы изделия составляет 5 лет. Не рекомендуется к эксплуатации по истечении 5 лет хранения с даты изготовления без предварительной проверки.

Дата изготовления (код даты) указана на корпусе инструмента.

Код даты, который также включает год изготовления, отштампован на поверхности корпуса изделия.

Пример:

2014 46 XX, где 2014 –год изготовления, 46-неделя изготовления.

Определить месяц изготовления по указанной неделе изготовления можно согласно приведенной ниже таблице.

Месяц	Январь	Февраль	Март	Апрель	Май	Июнь	Июль	Август	Сентябрь	Октябрь	Ноябрь	Декабрь	Год производства
Неделя	01	05	09	14	18	22	27	31	36	40	44	49	2014
	02	06	10	15	19	23	28	32	37	41	45	50	
	03	07	11	16	20	24	29	33	38	42	46	51	
	04	08	12	17	21	25	30	34	39	43	47	52	
	05	09	13	18	22	26	31	35	40	44	48		
		14			27								
Неделя	01	05	09	14	18	23	27	31	36	40	44	49	2015
	02	06	10	15	19	24	28	32	37	41	45	50	
	03	07	11	16	20	25	29	33	38	42	46	51	
	04	08	12	17	21	26	30	34	39	43	47	52	
		09	13	18	22	27	31	35	40	44	48	53	
		14					36			49			
Неделя	01	05	09	13	17	22	26	31	35	39	44	48	2016
	02	06	10	14	18	23	27	32	36	40	45	49	
	03	07	11	15	19	24	28	33	37	41	46	50	
	04	08	12	16	20	25	29	34	38	42	47	51	
		09	13	17	21	26	30	35	39	43	48	52	
				22					44				
Неделя	01	05	09	13	18	22	26	31	35	39	44	48	2017
	02	06	10	14	19	23	27	32	36	40	45	49	
	03	07	11	15	20	24	28	33	37	41	46	50	
	04	08	12	16	21	25	29	34	38	42	47	51	
	05	09	13	17	22	26	30	35	39	43	48	52	
						31			44				

# STANLEY

## Гарантийные условия

### Уважаемый покупатель!

1. Поздравляем Вас с покупкой высококачественного изделия STANLEY и выражаем признательность за Ваш выбор.
2. При покупке изделия требуйте проверки его комплектности и исправности в Вашем присутствии, инструкцию по эксплуатации и заполненный гарантийный талон на русском языке.

В гарантийном талоне должны быть внесены: модель, дата продажи, серийный номер, дата производства инструмента; название, печать и подпись торговой организации. При отсутствии у Вас правильно заполненного гарантийного талона, а также несоответствия указанных в нем данных мы будем вынуждены отклонить Ваши претензии по качеству данного изделия.

3. Во избежание недоразумений убедительно просим Вас перед началом работы с изделием внимательно ознакомиться с инструкцией по его эксплуатации. Правовой основой настоящих гарантийных условий является действующее Законодательство. Гарантийный срок на данное изделие составляет 24 месяца и исчисляется со дня продажи. В случае устранения недостатков изделия, гарантийный срок продлевается на период его нахождения в ремонте. Срок службы изделия составляет 5 лет со дня продажи.
4. В случае возникновения каких-либо проблем в процессе эксплуатации изделия рекомендуем Вам обратиться только в уполномоченные сервисные центры STANLEY, адреса и телефоны которых Вы сможете найти в гарантийном талоне, на сайте [www.2helpU.com](http://www.2helpU.com) или узнать в магазине. Наши сервисные станции - это не только квалифицированный ремонт, но и широкий ассортимент запчастей и принадлежностей.
5. Производитель рекомендует проводить периодическую проверку и техническое обслуживание изделия в уполномоченных сервисных центрах.



Изготовитель

Блэк энд Деккер Холдингс ГмБХ  
Германия, 65510, Идштайн,  
ул. Блэк энд Деккер, 40

6. Наши гарантийные обязательства распространяются только на неисправности, выявленные в течение гарантийного срока и вызванные дефектами производства или материалов.
7. **Гарантийные условия не распространяются на неисправности изделия, возникшие в результате:**
  - 7.1. Несоблюдения пользователем предписаний инструкции по эксплуатации изделия, применения изделия не по назначению, неправильному хранению, использования принадлежностей, расходных материалов и запчастей, не предусмотренных производителем.
  - 7.2. Механического повреждения (сколы, трещины и разрушения) внутренних и внешних деталей изделия, основных и вспомогательных рукояток, сетевого электрического кабеля, вызванного внешним ударным или любым иным воздействием
  - 7.3. Попадания в вентиляционные отверстия и проникновение внутрь изделия посторонних предметов, материалов или веществ, не являющихся отходами, сопровождающими применение изделия по назначению, такими как: стружка, опилки, песок, и пр.
  - 7.4. Воздействия на изделие неблагоприятных атмосферных и иных внешних факторов, таких как дождь, снег, повышенная влажность, нагрев, агрессивные среды, несоответствие параметров питающей электросети, указанных на инструменте.
  - 7.5. Стихийного бедствия. Повреждение или утрата изделия, связанное с непредвиденными бедствиями, стихийными явлениями, в том числе вследствие действия непреодолимой силы (пожар, молния, потоп и другие природные явления), а так же вследствие перепадов напряжения в электросети и другими причинами, которые находятся вне контроля производителя.
8. **Гарантийные условия не распространяются:**
  - 8.1. На инструменты, подвергавшиеся вскрытию, ремонту или модификации вне уполномоченного сервисного центра.
  - 8.2. На детали и узлы, имеющие следы естественного износа, такие как: приводные ремни и колеса, угольные щетки, смазка, подшипники, зубчатое зацепление редукторов, резиновые уплотнения, сальники, направляющие ролики, муфты, выключатели, бойки, толкатели, стволы, и т.п.
  - 8.3. На сменные части: патроны, цанги, зажимные гайки и фланцы, фильтры, аккумуляторные батареи, ножи, шлифовальные подошвы, цепи, звездочки, пыльные шины, защитные кожухи, пилки, абразивы, пыльные и абразивные диски, фрезы, сверла, буры и т.п.
  - 8.4. На неисправности, возникшие в результате перегрузки инструмента (как механической, так и электрической), повлекшей выход из строя одновременно двух и более деталей и узлов, таких как: ротора и статора, обеих обмоток статора, ведомой и ведущей шестерни редуктора или других узлов и деталей. К безусловным признакам перегрузки изделия относятся, помимо прочего: появление цветов побежалости, деформация или оплавление деталей и узлов изделия, потемнение или обугливание изоляции проводов электродвигателя под воздействием высокой температуры.

## Призначення інструменту

Придбаний Вами дріль/викрутка SCD20 виробництва компанії «СТЕНЛІ» розроблена для виконання робіт, пов'язаних із вкручуванням та викручуванням (напр., шурупів), а також для висвердлювання отворів в деревині, металі та пластмасі. Інструмент для напівпрофесійного та професійного використання.

## Інструкції з техніки безпеки

### Загальні правила безпеки для електричного інструменту



**Попередження! Прочитайте всі попередження та всі інструкції.**

Невиконання всіх інструкцій, що наведені нижче, може призвести до ураження електричним струмом, пожежі та/або серйозних травм.

Зберігайте це керівництво для отримання інформації в подальшому.

Термін "електричний інструмент" в усіх попередженнях, перерахованих нижче, стосується використовуваних Вами інструментів, що працюють від мережі енергоспоживання або акумуляторів.

#### 1. Безпека робочої зони

- a. Тримайте робочу зону чистою та добре освітленою. Неупорядковані та темні робочі зони збільшують імовірність нещасного випадку.
- b. **Не використовуйте електричні інструменти у вибухонебезпечній атмосфері, наприклад, в присутності вогненебезпечних рідин, газів та пилу.** Електричні інструменти створюють іскри, що можуть запалити пил або випаровування.
- c. **Тримайте дітей та сторонніх подалі під час використання електричного інструменту.** Відвернення уваги може призвести до втрати контролю.

#### 2. Електрична безпека

- a. Вилка електричного інструменту має відповідати розетці. Ніколи ніяким чином не змінюйте розетку. Не використовуйте адаптерів із заземленими електричними інструментами. Немодифіковані вилки та розетки, що підходять до них, зменшують ризик ураження електричним струмом.
- b. Уникайте контакту тіла з заземленими

поверхнями, такими як труби, радіатори, плити та холодильники. Якщо Ваше тіло заземлене, ризик ураження електричним струмом збільшується.

- c. **Не залишайте електричні інструменти під дощем або в умовах підвищеної вологості.** Вода, що потрапляє в електричний інструмент, підвищує ризик ураження електричним струмом.
- d. **Не використовуйте шнур не за призначенням.** Ніколи не використовуйте шнур для переносу, витягнення або відключення електричного інструменту. Тримайте шнур подалі від високих температур, мастила, гострих предметів та рухомих деталей. Ушкоджений або заплутаний шнур підвищує ризик ураження електричним струмом.
- e. **При використанні електричного інструменту на вулиці, використовуйте подовжувач шнур, що підходить для використання на вулиці.** Використання шнура, що підходить для вулиці, знижує ризик ураження електричним струмом.
- f. **Якщо неможливо уникнути використання електричного інструменту в умовах підвищеної вологості, використовуйте живлення, захищене пристроєм залишкового струму (RCD).** Використання RCD знижує ризик ураження електричним струмом.

#### 3. Особиста безпека

- a. **Будьте в стані готовності, дивіться, що ви робите, та використовуйте загальний глузд, коли ви працюєте з електричним інструментом.** Не використовуйте електричний інструмент, коли ви втоплені або знаходитесь під впливом наркотичних речовин, алкоголю або лікарських засобів. Втрата уваги при роботі з електричними інструментами може призвести до серйозних травм.
- b. **Використовуйте особисті засоби безпеки.** Засоби безпеки, такі як протипилова маска, неслизькі безпечні чоботи, твердий капелюх та засоби захисту слухового апарату, які використані для відповідних умов, зменшують імовірність особистих травм.
- c. **Уникнення випадкового запуску.** Переконайтесь, що вимикач знаходиться в позиції Вкл. перед підключенням до джерела живлення та/або акумулятора, переміщенням або перенесенням пристрою. Перенесення інструменту, тримаючи палець на вимикачі, або підключення живлення з перемикачем в позиції Вкл. може призвести до нещасного випадку.
- d. **Зніміть всі налаштувальні ключі або гайкові ключі перед тим, як вмикати електричний інструмент.** Гайковий ключ, що залишився прикріпленим до якоїсь деталі, що обертається, може призвести до травм.

- e. **Не перенапружуйтеся. Завжди підтримуйте правильну постановку ніг та рівновагу.** Це дозволяє тримати електричний інструмент під кращим контролем у несподіваних ситуаціях.
- f. **Вдягайтеся відповідним чином. Не вдягайте вільний одяг чи прикраси. Тримайте ваше волосся, одяг та рукавички подалі від рухомих деталей.** Вільний одяг, прикраси або довге волосся може зачепитися за рухомі деталі.
- g. **Якщо передбачені пристрої для підключення до засобів виділення та збирання пилу, переконайтеся, що вони правильно підключені та використовуються.** Використання таких пристроїв зменшує ризик виникнення небезпечних ситуацій, що пов'язані з потраплянням пилу.
- 4. Використання та догляд за електричним інструментом**
- a. **Не використовуйте надмірні зусилля при роботі з електричним інструментом. Використовуйте відповідний електричний інструмент для вашої задачі.** Правильно обраний електричний інструмент виконає завдання краще та безпечніше за умов, для яких він був розроблений.
- b. **Не використовуйте інструмент, вмикач якого не вмикає та не вимикає його.** Будь-який електричний інструмент, який не може управлятися вмикачем, є небезпечним і має бути відремонтований.
- c. **Відключіть вилку від джерела живлення перед тим, як робити будь-які налаштування, зміну додаткового обладнання та перед зберіганням інструменту.** Такі заходи безпеки знижують.
- d. **Бережіть вимкнені електричні інструменти від дітей та не дозволяйте особам, що не знайомі з електричним інструментом або цими інструкціями, використовувати електричний інструмент.** Електричні інструменти є небезпечними, якщо вони використовуються некваліфікованими користувачами.
- e. **Технічне обслуговування електричних інструментів. Перевіряйте на відсутність вирівнювання або заїдання рухомих деталей, ушкоджених частин та інших умов, що можуть впливати на роботу електричного інструменту.** Якщо є ушкодження, відремонтуйте інструмент перед використанням. Багато нещасних випадків є результатом того, що інструмент не пройшов відповідного технічного обслуговування.
- f. **Тримайте ріжучі інструменти гострими та чистими.** Правильно доглянуті ріжучі інструменти з гострими ріжучими кромками мають меншу ймовірність заїдання, та ними легше керувати.
- g. **Використовуйте електричний інструмент, додаткові інструменти та деталі інструменту тощо**

у відповідності до цих інструкцій та відповідно до даного типу механізованих інструментів, зважаючи на умови використання та роботу, яка має бути виконана. Використання електричних інструментів не за призначенням може призвести до виникнення небезпечних ситуацій.

5. **Використання електроінструмента з живленням від акумулятора та догляд за ним**
- a. **Для зарядження акумулятора використовуйте тільки зарядний пристрій, рекомендований виробником.** Зарядний пристрій, який підходить до одного типу акумуляторів, може створити ризик пожежі при використанні з акумулятором іншого типу.
- b. **Використовуйте з електроінструментом виключно ті акумулятори, які призначені до застосування саме з ним.** Використання будь-яких інших акумуляторів може створити ризик травматизму та пожежі.
- c. **Поблизу акумулятора, який тимчасово не використовуються, не повинно бути сторонніх металевих предметів на зразок канцелярських скріпок, монет, ключів, цвяхів, гвинтів або інших дрібних виробів з металу, які можуть спричинити коротке замикання виводів акумулятора.** Коротке замикання виводів акумулятора може спричинити вибух або пожежу.
- d. **Уникайте контакту з рідиною, яка за невідповідних умов використання може витікати з акумулятора.** Якщо ця рідина випадково потрапила на шкіру, її необхідно змити водою. Якщо ця рідина потрапила в очі, необхідно звернутися до лікаря. Рідина, яка витікла з акумулятора, може спричинити подразнення та опіки.
6. **Обслуговування**
- a. **Надавайте Ваш електричний інструмент для обслуговування кваліфікованим спеціалістом з ремонту та використовуйте тільки ідентичні замініні деталі.** Це забезпечить безпеку електричного пристрою, що обслуговується.

### Додаткові спеціальні правила техніки безпеки під час роботи з дрилем/вкруткою

- Якщо інструмент застосовують як ударний дріль, використовуйте засоби захисту слуху. Вплив шуму може призводити до втрати слуху.
- Якщо в комплекті поставки знаходяться рукоятки (одна чи декілька), використовуйте їх. Втрата управління інструментом може призводити до отримання травм.

- Якщо існує ризик того, що під час роботи ріжучий елемент електроінструменту може торкнутися схованого кабелю, що знаходиться під напругою, тримайте інструмент за ізольовані частини корпусу. Контакт ріжучого елемента з кабелем під напругою може призвести до того, що під напругою опиняться металеві частини інструменту, внаслідок чого оператора буде уражено електричним струмом.

## Існуючі ризики







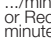


Навіть за умови виконання всіх відповідних правил техніки безпеки та використання захисних пристроїв, певні остаточні ризики під час використання інструменту залишаються.

Такими ризиками є:

- ризик погіршення слуху.
- ризик отримання травм від частинок твердого матеріалу, що розлітаються.
- ризик виникнення пожежі за рахунок нагрівання матеріалів під час роботи.
- ризик отримання травм, що виникає, коли інструмент довго використовують.

## ПОЗНАЧКИ НА КОРПУСІ ІНСТРУМЕНТУ

Окрім коду, що позначає дату випуску, на корпусі інструменту можуть знаходитись наступні позначки:

	Read Instructions Manual	W .....Watts min .....minutes		.....Earthing Terminal
	Використання для захисту очей	 .....Alternating Current		.....Safety Alert Symbol
	Використання захисту слуху	==== .....Direct Current		.../min.. Revolutions or Reciprocation per minute
V ..... Volts	no .....No-Load Speed		.....The charger is intended for indoor use only.	
A .....Amperes	 .....Class II Construction			
Hz .....Hertz				

## друкується на корпусі.

Дата коду, який також включає рік виготовлення, друкується на корпусі.

Приклад: □

2015 XX JN  
Рік виготовлення

## Важливі правила техніки безпеки, що стосуються всіх пристроїв для зарядження акумуляторів

**ЗБЕРІГАЙТЕ ЦІ ІНСТРУКЦІЇ:** Ця інструкція містить важливі правила техніки безпеки та експлуатації для пристроїв для зарядження акумуляторів SC201.

- Перед тим, як використовувати пристрій для зарядження акумуляторів, ознайомтесь з усіма настановами та попереджувальними позначками на пристрої, акумуляторі та інструменті, для живлення якого використовують акумулятор.



**ЗАСТЕРЕЖЕННЯ:** Небезпека ураження електрострумом. Всередину пристрою для зарядження не повинна потрапляти рідина. Наслідком може бути ураження електричним струмом.



**ПОПЕРЕДЖЕННЯ:** Небезпека виникнення пожежі. Для того, щоб зменшити ризик отримання травми, використовуйте пристрій для зарядження тільки акумуляторів виробництва компанії «СТЕНЛІ». Використання акумуляторів інших типів може призводити до виникнення пожежі, наслідком якої можуть стати травми та пошкодження виробів.



**ПОПЕРЕДЖЕННЯ:** Слідкуйте за тим, щоб діти не гралися з пристроями.

**ПОПЕРЕДЖЕННЯ:** Сторонні предмети, що потрапили у пристрій, можуть його "закоротити" після приєднання до джерела живлення. Предмети, які проводять електричний струм, такі, як пил, що утворюється під час шліфування металевих предметів, металева стружка, металева вата, алюмінієва фольга або будь-який агломерат металевих частинок, слід тримати на відстані від чарунок пристрою для зарядження акумуляторів. Якщо в чарунці пристрою не знаходиться акумулятор, від'єднайте пристрій від джерела живлення. Перед очищенням пристрою від'єднайте його від джерела живлення.

- **НЕ ЗАРЯДЖАЙТЕ** акумулятор за допомогою іншого пристрою, що відрізняється від того, що вказано в цій інструкції. Зарядний пристрій та акумулятор спеціально розроблені для спільного використання.
- Названі тут пристрої призначені для зарядження тільки змінних акумуляторів виробництва компанії «СТЕНЛІ». Спроба зарядити акумулятор іншого типу може призвести до виникнення пожежі, ураження електричним струмом або до загибелі оператора.
- Пристрій не повинен потрапляти під дощ або сніг.

- Під час відключення акумулятора від джерела живлення тягніть не за кабель, а за вилку. Це зменшує ризик пошкодження вилки та кабелю.
- **Впевніться в тому, що кабель розташовано так, що на нього не наступлять, через нього не перечепляться, та що він не буде іншим чином пошкоджений чи перевантажений.**
- **Не використовуйте подовжувач електричного кабелю, окрім випадків, коли це абсолютно необхідно.** Використання невідповідного подовжувача може призвести до виникнення пожежі, ураження електричним струмом або до загибелі оператора.
- **Не кладіть ті чи інші речі на пристрій для заряджання та не розміщуйте пристрій на м'якій поверхні, оскільки це може призводити до перекидання вентиляційних отворів і, внаслідок цього, до перегрівання пристрою.** Розміщуйте зарядний пристрій на віддаленні від джерел тепла. Вентиляційні отвори знаходяться на верхній та нижній частинах корпусу пристрою.
- **Не використовуйте пристрій для зарядження акумуляторів, якщо його вилку або кабель пошкоджено** — їх слід відразу замінити.
- **Не використовуйте пристрій, якщо по ньому чимось вдарили, якщо він впав або був пошкоджений іншим чином.** Зверніться до сервісного центру, який уповноважено на проведення відповідних ремонтних робіт.
- **Не розбирайте пристрій для заряджання акумуляторів; якщо необхідно виконати обслуговування чи ремонт пристрою, звертайтеся до сервісного центру.** Неправильне розбирання пристрою може призвести до виникнення пожежі, ураження електричним струмом або до загибелі оператора.
- Якщо кабель живлення пошкоджено, то, для запобігання ризикам, його слід відразу замінити, звернувшись або до виробника, або до його уповноваженого агента по ремонту чи іншої кваліфікованої особи.
- **Перед очищенням пристрою для заряджання його слід від'єднати від джерела живлення. Це необхідно для зменшення ризику ураження електричним струмом.** Від'єднання самого лише акумулятора не зменшує такий ризик.
- **НЕ НАМАГАЙТЕСЯ з'єднувати 2 зарядних пристрої.**
- Зарядний пристрій розроблено так, щоб він міг жити від звичайної побутової електромережі. **Не використовуйте джерела живлення з іншою напругою.** Пристрій не розрахований на живлення від автомобільного акумулятора.

## ЗБЕРІГАЙТЕ ЦІ ІНСТРУКЦІЇ

### Зарядні пристрої

Пристрої SC201/SC202 використовують для зарядки акумуляторів, що створюють напругу 18 В.

Пристрої не потребують додаткових налаштувань і розроблені так, щоб їх експлуатація була максимально простою.







### Процедура заряджання (рис. 2)

1. Перед тим, як вставити акумулятор, приєднайте пристрій (j) до джерела живлення, що відповідає всім вимогам.
2. Вставте в пристрій акумулятор (g). Про початок процесу заряджання акумулятора свідчатиме миготіння червоного світлового індикатора на пристрої.
3. Про повне заряджання акумулятора свідчатиме постійне світіння червоного світлового індикатора. Тепер акумулятор повністю заряджений і може бути використаний у будь-який час; також його можна залишити в пристрої для зарядження.

**ПРИМІТКА:** Для того, щоб досягти максимальної продуктивності літій-іонних акумуляторів, перед першим їх використанням зарядіть їх повністю.

### Процес заряджання

В таблиці вказано, яким саме чином пристрій сигналізує про стан акумулятора в процесі його заряджання.

Стан акумулятора (пристрій SC201)	
	Акумулятор заряджається — — — — 
	Акумулятор повністю заряджений 
	Затримка зарядження для надто холодного чи гарячого акумулятора — — — — 

### ВІДСТРОЧЕННЯ ЗАРЯДЖАННЯ ДЛЯ НАДТО ХОЛОДНОГО/ГАРЯЧОГО АКУМУЛЯТОРА

#### SC201/ SC202

В тому випадку, якщо пристрій виявить, що акумулятор гарячий, його заряджання припиняється, і відновлюється після охолодження акумулятора.

В тому випадку, якщо пристрій виявить, що акумулятор надто холодний, його заряджання припиняється, і відновлюється після нагрівання акумулятора.

В цей період червоний індикатор миготить, а жовтий світиться. Після охолодження акумулятора жовтий індикатор відключиться, що свідчатиме про те, що процес заряджання відновився.



Літій-іонні акумулятори компанії «Стенлі» містять Систему електронного захисту, яка не допускає їх перевантаження, перегрівання або надто глибокого розрядження.

У таких випадках акумулятор буде автоматично відключений цією Системою. Якщо це відбулося, приєднайте літій-іонний акумулятор до пристрою для зарядження і повністю зарядьте його.

### ТІЛЬКИ ДЛЯ ЛІТІЙ-ІОННИХ АКУМУЛЯТОРІВ

Літій-іонні акумулятори містять Систему електронного захисту, яка не допускає їх перевантаження, перегрівання або надто глибокого розрядження.

У таких випадках акумулятор буде автоматично відключений цією Системою. Якщо це відбулося, приєднайте літій-іонний акумулятор до пристрою для зарядження і повністю зарядьте його.

### Важливі правила техніки безпеки, що стосуються всіх акумуляторів

Під час замовлення акумулятор на заміну вказуйте їх номер за каталогом та характеристики напруги.

Акумулятор, що знаходиться в упаковці, не заряджений повністю. Перед тим, як використовувати акумулятор та пристрій для зарядження, вивчіть інструкції, наведені нижче. Після цього виконайте вказівки щодо процедури зарядження акумулятора.

## ВИВЧИТЬ ІНСТРУКЦІЇ

- **Не заряджайте та не використовуйте акумулятор у вихудонебезпечному середовищі, наприклад, поруч із займистими рідинами, в атмосфері займистого газу або за наявності займистого пилу.** В цих умовах вставлення акумулятора в пристрій для зарядження або виймання його з такого пристрою може привести до займання пилу або випарів.
- **Не застосовуйте силу під час вставлення акумулятора в пристрій для зарядження.** Не змінюйте тим чи іншим чином конструкцію акумулятора для того, щоб він підходив до пристрою для зарядження, який не розрахований на його використання; це може призвести до поломки акумулятора і, внаслідок цього, до серйозних травм оператора.
- Заряджайте акумулятори тільки за допомогою зарядних пристроїв виробництва компанії «СТЕНЛІ».
- **НЕ ДОПУСКАЙТЕ** потрапляння води та інших рідин на акумулятор та пристрій для його зарядження та не занурюйте їх в ці рідини.
- **Не зберігайте та не використовуйте акумулятори та пристрої для їх зарядження в місцях, де температура може бути більшою за 40 °C (105 °F),**

**напр., біля гаражів чи інших металевих будівель в сонячну погоду).**



**ЗАСТЕРЕЖЕННЯ:** Ні за яких умов не розбирайте акумулятор. Якщо корпус акумулятора має тріщини або інші пошкодження, не вставляйте його в пристрій для зарядження. Не робіть ударів по корпусу акумулятора, не роняйте його та не пошкодуйте. Не використовуйте акумулятор або пристрій для його зарядження, якщо по них чимось вдарили, якщо вони падали чи на них падав важкий предмет, або якщо вони були пошкоджені іншим чином (напр., були пробиті цвяхом, по них вдарили молотком, наступили на них тощо). Наслідком може бути ураження електричним струмом або загибель оператора. Акумулятор, що вийшов з ладу, слід надіслати до сервісного центру для утилізації.



**ПОПЕРЕДЖЕННЯ:** Якщо вироби не використовують, тримайте їх у відведеному для цього місці (на стабільній поверхні, на якій вони не будуть переміщуватись та з якої не впадуть). Зауважте, що деякі інструменти з акумулятором великих розмірів, які можна поставити вертикально на акумулятор, можуть легко перекинутись.

### ОСОБЛИВОСТІ ТЕХНІКИ БЕЗПЕКИ ПІД ЧАС РОБОТИ З ЛІТІЙ-ІОННИМИ АКУМУЛЯТОРАМИ

- **Не утилізуйте акумулятор шляхом його спалювання, навіть якщо він був серйозно пошкоджений або повністю вийшов з ладу.** Такий акумулятор може вибухнути у вогні. Під час спалювання літій-іонних акумуляторів утворюються шкідливі леткі продукти згорання.
- **Якщо матеріал, що знаходився всередині акумулятора, потрапив на шкіру, терміново промийте уражену ділянку шкіри рідким миючим засобом та водою.** Якщо рідина з акумулятора потрапила в око, промивайте відкрите око водою упродовж 15 хвилин або до припинення відчуття "жару". Інформація для медиків: електrolіт акумулятора містить суміш рідких органічних сполук-карбонатів та солі літію.
- **Речовини, що знаходяться всередині акумулятора, можуть викликати подразнення респіраторних шляхів.** Виведіть постраждалого на свіже повітря. Якщо симптоми не зникли, зверніться по медичну допомогу.



**ЗАСТЕРЕЖЕННЯ:** Небезпека виникнення пожежі. Рідина, що міститься в акумуляторі, може зайнятися під дією іскри або вогню.

## Перевезення

Акумулятори виробництва компанії «СТЕНЛІ» задовольняють вимогам всіх нормативних актів та чинних стандартів, які використовують в галузі транспортування, в тому числі «Рекомендацій ООН щодо перевезення небезпечних вантажів», «Положень IATA (INTERNATIONAL AIR TRANSPORT ASSOCIATION, Міжнародна асоціація повітряного транспорту) щодо небезпечних вантажів», «Міжнародних положень щодо перевезень небезпечних вантажів МОРЕМ (IMDG)», а також Європейської угоди щодо міжнародних перевезень небезпечних вантажів шляхами (ADR). Літій-іонні БАТАРЕЇ ТА АКУМУЛЯТОРИ ПРОЙШЛИ ПЕРЕВІРКУ ВІДПОВІДНО ДО П. 38.3 «НАСТАВОВ ЩОДО ВИПРОБУВАНЬ ТА КРИТЕРІЇВ ОЦІНЮВАННЯ ЇХ РЕЗУЛЬТАТІВ НА ВІДПОВІДНІСТЬ ВИМОГАМ РЕКОМЕНДАЦІЙ ООН ЩОДО ПЕРЕВЕЗЕННЯ НЕБЕЗПЕЧНИХ ВАНТАЖІВ».

В більшості випадків перевезення акумуляторів виробництва компанії «СТЕНЛІ» не підпадає під визначення «небезпечні матеріали класу 9, що знаходяться під повним контролем».

Загалом, існують два випадки, коли перевезення має здійснюватись згідно з вимогами для матеріалів класу 9:

1. перевезення авіатранспортом більш ніж двох літій-іонних акумуляторів виробництва компанії «СТЕНЛІ», якщо упаковки містить тільки акумулятори (без інструментів), а також
2. перевезення будь-якого вантажу, що містить літій-іонний акумулятор потужністю більше 100 Вт-год. Потужність кожного літій-іонного акумулятора (у Вт-год) вказана на упаковці.

Незалежно від того, підпадає вантаж під визначення "під повним контролем" чи ні, відправник несе повну відповідальність за виконання вимог чинних нормативних актів стосовно пакування вантажу, його маркування та підготовки товаросупровідних документів.

Під час перевезення акумуляторів контакт їх виводів з матеріалами, що проводять струм, може призвести до виникнення пожежі. Тому, під час перевезення акумуляторів, впевніться в тому, що їх виводи захищені та належним чином ізольовані від матеріалів, контакт з якими може призводити до короткого замикання.

Інформація цього розділу представлена належним чином, і, як ми вважаємо, адекватна на момент створення цього документу. В той же час вона не являє собою гарантійні зобов'язання, надані явно або опосередковано. Покупець несе відповідальність за те, щоб його діяльність відповідала вимогам нормативних актів, які мають відношення до теми, про яку йде мова.

## Акумулятор

### ТИП АКУМУЛЯТОРА

Інструмент SCD20 використовують з акумулятором, що створює напругу 18 В.

## Рекомендації щодо зберігання

1. Оптимальним є зберігання в сухому прохолодному місці, захищеному від дії прямого сонячного світла, в якому не допускається виникнення ситуації, коли температура може стати надто великою або надто низькою. Для того, щоби продуктивність акумулятора та термін його експлуатації були оптимальними, зберігати їх, якщо вони не використовуються, краще за кімнатної температури.
2. Якщо очікується, що термін зберігання буде значний, краще зберігати акумулятор в сухому прохолодному місці (але не в пристрої для заряджання) повністю зарядженим.

**ПРИМІТКА:** Не слід зберігати акумулятор повністю розрядженим. Перед використання акумулятор треба буде перезарядити.

## Позначки на пристрої для заряджання та на акумуляторі

Окрім позначок, які вже наводилися в цьому документі, на акумуляторі або на пристрої для його заряджання Ви можете зустріти наступні піктограми:



Прочитати інструкцію перед використанням



Час заряджання вказаний в розділі «Технічні характеристики».



Акумулятор заряджається



Акумулятор заряджений



Акумулятор пошкоджено



Відстрочення заряджання для надто холодного/гарячого акумулятора



Не торкатися предметами, які проводять електричний струм



Не заряджати пошкоджені акумулятори



Не допускати потрапляння води



Пошкоджено кабель живлення – його слід відразу замінити



Заряджати тільки за температури від 4 °C до 40 °C



Призначений для використання всередині приміщення



Під час утилізації акумулятора враховуйте вимоги щодо охорони оточуючого середовища.



Заряджайте акумулятори тільки за допомогою зарядних пристроїв, на яких позначено, що вони вироблені компанією «СТЕНЛЛ». Використання інших пристроїв може призвести до пожежі або виникнення небезпечної ситуації іншого типу.



Не утилізуйте акумулятори шляхом їх спалювання.

## Комплект поставки

Комплект поставки включає:

- 1 дріль/викрутку
- 1 зарядний пристрій
- 2 акумулятори (C2) або 1 акумулятор (C1)
- 1 Інструкцію з експлуатації

**ПРИМІТКА:** Для N-виробів комплект поставки не включає акумулятори та зарядні пристрої.

- Після отримання інструменту перевірте, чи не були пошкоджені сам інструмент, його складові частини та допоміжні пристрої під час перевезення.
- Перед початком експлуатації інструменту знайдіть час для того, щоб прочитати цю інструкцію і зрозуміти особливості роботи з інструментом.

## РЕКОМЕНДАЦІЇ ЩОДО ЗБЕРІГАННЯ

1. Оптимальним є зберігання в сухому прохолодному місці, захищеному від дії прямого сонячного світла, в якому не допускається виникнення ситуації, коли температура може стати надто великою або надто низькою.
2. Довготермінове зберігання не шкодить зарядному пристрою та акумулятору.

## ОСНОВНІ ВУЗЛИ ІНСТРУМЕНТУ (РИС. А)

1. Тригерний вмикач
2. Кнопка «вперед/назад»
3. Регулятор моменту обертання

4. Селектор перемикання двох діапазонів передачі
5. Патрон (без ключа)
6. Акумулятор
7. Кнопка вивільнення акумулятора
8. Світлодіод для освітлення робочого поля
9. Утримувач головок викруток

## ПРИЗНАЧЕННЯ ІНСТРУМЕНТУ

Цей дріль/викрутка призначений для проведення робіт, пов'язаних з кріпленням та висвердлюванням.

**НЕ ВИКОРИСТОВУВАТИ** у вологій атмосфері або в присутності займих рідин чи газів.

Цей дріль/викрутка призначений для професійного використання.

**НЕ ДАВАЙТЕ** інструмент дітям. Недосвідчені оператори повинні працювати під наглядом.

- Цей інструмент не повинен використовуватись особами (в тому числі дітьми), що мають обмеження фізичних, сенсорних або розумових здібностей, недостатній досвід роботи та/або навички та знання, якщо роботи виконуються не під наглядом осіб, що несуть відповідальність за техніку безпеки на робочому місці. Не дозволяйте дітям гратися з цим інструментом.

## Електробезпека

Електродривин інструменту розрахований на використання джерела живлення з фіксованою напругою. Завжди перевіряйте, чи відповідає напруга, що її забезпечує акумулятор, робочій напрузі інструменту, вказаній в паспорті. Також впевніться в тому, що робоча напруга зарядного пристрою відповідає напрузі мережі живлення, яку Ви використовуєте.



Зарядний пристрій виробництва компанії «СТЕНЛЛ» має подвійну ізоляцію, що відповідає вимогам стандарту EN 60335; таким чином, заземлення пристрою не потрібне.

Якщо кабель живлення пошкоджено, його слід замінити; для заміни використовують спеціальний кабель, який можна придбати в сервісних організаціях компанії «СТЕНЛЛ».

## Використання подовжувача

Подовжувач слід використовувати лише у випадках, коли без цього абсолютно неможливо обійтись. Використовуйте кабель-подовжувач, який підходить до входу Вашого зарядного пристрою (див. "Технічні характеристики"). Мінімально допустима площа перерізу струмопровідного елемента має становити 1 mm<sup>2</sup>; максимально допустима довжина кабелю - 30 м.

Якщо Ви використовуєте кабельний барабан, завжди розмотуйте кабель повністю.

## Збирання та налаштування інструменту



**ЗАСТЕРЕЖЕННЯ:** Перед початком збирання та налаштування інструменту завжди від'єднуйте акумулятор. Перед тим, як вставляти або від'єднувати акумулятор, відключайте інструмент.



**ЗАСТЕРЕЖЕННЯ:** Використовуйте тільки акумулятори та зарядні пристрої виробництва компанії «СТЕНЛІ».

## Як приєднувати акумулятор до інструменту та від'єднувати його.



**ЗАСТЕРЕЖЕННЯ: ДЛЯ ТОГО, ЩОБ ЗМЕНШИТИ РИЗИК ОТРИМАННЯ СЕРІОЗНОЇ ТРАВМИ, ПЕРЕД НАЛАШТУВАННЯМ ІНСТРУМЕНТУ ТА ЗНІМАННЯ/ПРИЄДНАННЯ ПЕВНИХ ЙОГО ЧАСТИН ПЕРЕВЕДІТЬ КНОПКУ «ВПЕРЕД-НАЗАД» У ПОЛОЖЕННЯ «ЗАБЛОКОВАНО» АБО ПЕРЕВЕРНІТЬ ІНСТРУМЕНТ ТА ВІД'ЄДНАЙТЕ АКУМУЛЯТОР. НЕОЧІКУВАНЕ ВКЛЮЧЕННЯ ІНСТРУМЕНТУ МОЖЕ ПРИЗВОДИТИ ДО ОТРИМАННЯ ТРАВМ.**

**ПРИМІТКА:** ВПЕВНІТЬСЯ В ТОМУ, ЩО АКУМУЛЯТОР (G) ПОВНІСТЮ ЗАРЯДЖЕНИЙ.

## ПРИЄДНАННЯ АКУМУЛЯТОРА ДО РУКОЯТКИ ІНСТРУМЕНТУ

1. Поставте акумулятор на направляючі, що знаходяться всередині рукоятки.
2. Посуньте акумулятор вперед до упору; коли він стане на місце, Ви повинні почути характерне клацання.

## ВІД'ЄДНАННЯ АКУМУЛЯТОРА ВІД ІНСТРУМЕНТУ

1. Натисніть кнопку вивільнення акумулятора (f) та з силою витягніть акумулятор з рукоятки інструменту.
2. В зарядній пристрій акумулятор вставляйте так, як то описано у відповідному розділі цього документа.

## ІНСТРУКЦІЇ З ВИКОРИСТАННЯ

### Застереження та правила техніки безпеки: Свердлення



**ЗАСТЕРЕЖЕННЯ!** Перед початком експлуатації інструменту ознайомтесь з усіма відповідними інструкціями та застережними позначками на його корпусі.



**ЗАСТЕРЕЖЕННЯ!** Дриль може зупинитися (якщо інструмент був перевантажений або неправильно використовувався), і, внаслідок цього, «провернутися». Завжди будьте готові до такої зупинки інструменту. Щоби контролювати можливе «провертання» і не допускати втрату управління інструментом (це може призвести до травмування оператора), дриль слід міцно тримати обома руками. Якщо інструмент зупинився, відразу відпустіть тригерний вмикач і, перед повторним запуском інструменту, знайдіть причину його зупинки.

### Тригерний вмикач та кнопка «вперед - назад» (рис. D)

- Інструмент вмикається та вимикається шляхом, відповідно, натискання та відпускання тригерного вмикача (1) (див. рис. D). Чим сильніше натиснуто вмикач, тим більше швидкість обертань.
- Кнопка «вперед-назад» (2) визначає напрямок обертань, і також має функцію блокування інструменту.
- Для того, щоб вибрати напрямок обертання «вперед», відпустіть тригерний вмикач і натисніть ту частину кнопки «вперед-назад», що знаходиться з правого боку інструменту.
- Для того, щоб вибрати напрямок обертання «назад», натисніть ту частину кнопки «вперед-назад», що знаходиться з лівого боку інструменту.
- Центральне положення кнопки забезпечує блокування інструменту (блокування можливе, коли інструмент відключений). Зміна положення кнопки «вперед-назад» можлива, якщо тригерний вмикач вивільнено.



### Управління моментом обертання (рис. E)

Інструмент оснащено регулятором моменту обертання (3), за допомогою якого можна вибрати режим роботи і ступінь сили, з якою будуть вкручуватись шурупи. Для того, щоб вкручувати великі шурупи та проводити обробку твердих матеріалів, необхідно встановлювати більш значення моменту обертання, ніж під час роботи з шурупами малих розмірів та м'якими матеріалами.

- Свердління деревини, металів та пластмас виконують, встановивши регулятор в положення 1.

► Якщо виконують укручування шурупів, регулятор встановлюють в положення, визначене раніше під час виконання таких робіт. Якщо потрібне положення невідоме, його визначають так:

- Регулятор встановлюють в положення, для якого сила укручування найменша.
- Вкручують перший шуруп.
- Якщо храповик спрацьовує (чути характерний тріск), а потрібний результат не досягнуто, збільшують значення моменту обертання, і продовжують вкручувати шуруп. Повторюють цю процедуру до отримання потрібного значення налаштування моменту. Під час укручування наступних шурупів використовують ці налаштування.

### Перемикач двох діапазонів передачі (рис. F)

Функція перемикачів діапазонів передачі дреля розширює діапазон робочих налаштувань інструменту.

- Якщо Вам потрібна менша швидкість і більша сила (положення 1), відключіть інструмент і дайте йому зупинитись. Перемістіть кнопку перемикача передачі (4) в напрямку «від патрона».
- Якщо Вам потрібна більша швидкість і менша сила (положення 2), відключіть інструмент і дайте йому зупинитись. Перемістіть кнопку перемикача передачі (4) в напрямку «до патрона».

**Примітка:** Не перемикайте передачу, коли інструмент працює. Якщо виникли проблеми з перемикачем передачі, перевірте, чи зміщена кнопка перемикача в той чи інший бік до упора.

### Патрон без ключа (рис. G)

⚠ **Застереження!** Перед тим, як приєднувати до інструменту ті чи інші елементи, або від'єднувати їх від інструменту, впевніться, що акумулятор знятий і інструмент не може бути приведений в дію.

Для того, щоб вставити в патрон свердло або інший елемент:

1. Візьміть в руку патрон (5) та повертайте його в напрямку «проти годинникової стрілки» (якщо дивитись на зовнішній кінець патрона).
2. Вставте свердло або інший елемент в патрон, і закріпіть його там, повертаючи патрон в напрямку «за годинниковою стрілкою» (якщо дивитись на зовнішній кінець патрона).



**Застереження!** Не намагайтеся затягнути чи послабити елемент в патроні, тримаючи патрон за його передню частину і включивши інструмент. В цьому випадку оператор може отримати травму, а патрон може бути пошкоджено.

### Робота з шурупами

- Під час укручування шурупів кнопка перемикача "вперед-назад" повинна бути натиснута з лівого боку.
- Для викручування шурупів використовуйте функцію реверса (кнопку перемикача слід натиснути з правого боку).

**Примітка:** Завжди вивільняйте тригерний вмикач перед перемиканням кнопки «вперед-назад».

### Свердлення

- Використовуйте тільки заточені свердла.
- Виконуйте всі вимоги щодо безпеки роботи, викладені в розділі «Правила та інструкції з техніки безпеки».
- Використовуйте належне захисне обладнання, відповідно до положень розділу «Правила та інструкції з техніки безпеки».
- Виконуйте правила з підтримання порядку робочої зони, викладені в розділі «Правила та інструкції з техніки безпеки».
- Не поспішаючи, злегка надавлюючи, зробіть стартову лунку і поглиблюйте її до моменту, коли вона стане достатньою для того, щоб свердло з неї випадково не вискочило.
- Надавіть на інструмент в напрямку, за яким проводиться свердлення. Тиск має бути достатнім, щоб свердлення було ефективним, але не таким, за якого мотор зупиниться або свердло змінить свій напрямок.
- **Утримуйте дріль міцно обома руками**, однією рукою за рукоятку, а іншою – за низ інструменту в області акумулятора або за іншу рукоятку, якщо вона використовується.
- **Якщо двигун зупинився, не натискайте на тригерний перемикач, намагаючись його запустити. Це може призвести до поломки інструменту.**

► Для того, щоб зменшити вірогідність зупинки двигуна, під час «проходження» останньої частини отвору не натискайте на інструмент сильно і «пройдіть» цю ділянку повільно.

► Після того, як свердло "пройшло" матеріал, не зупиняйте двигун. Це зменшить вірогідність заклинювання свердла в отворі.

► **Впевніться в тому, що інструмент вмикається і вимикається.**

## Свердління деревини

Отвори в деревині можна висвердлити свердлом для металу або свердлом-долотом. Свердла мають бути заточеними; під час роботи їх слід періодично виймати та очищувати від стружки, яка набивається у виїмки.

## Свердління металу

Під час свердління металу використовуйте мастильно-охолоджувальну рідину. Для роботи з чавуном та латунню ця рідина не потрібна. Найкращою є сульфурована мастильно-охолоджувальна рідина або ярядове масло.

## Світлодіод для освітлення робочого поля

Після того, як інструмент запущено натисканням на тригерний перемикач (1), робоче поле буде автоматично відсвітлюватись вбудованим в інструмент світлодіодом (8).

**Примітка:** Світлодіод призначений для освітлення робочого поля і не повинен використовуватись як сигнальний.

## Утримувач головок викруток

Утримувач головок викруток (9) вбудовано в корпус інструменту.

## ОБСЛУГОВУВАННЯ ІНСТРУМЕНТУ

Для очищення інструменту використовуйте тільки рідкі миючі засоби та вологу тканину. Слідкуйте за тим, щоб рідина не потрапила всередину інструменту; не занурюйте інструмент або ту чи іншу його частину в рідину.



**Важливо!** Для того, щоб використання інструменту було ТРИВАЛИМ та БЕЗПЕЧНИМ, його ремонт, обслуговування та налаштування (не описане в цьому документі) слід проводити в сервісних центрах або інших організаціях, що мають відповідні уповноваження. Під час проведення цих робіт слід використовувати виключно змінні частини, ідентичні тим, що їх замінюють. Елементи для заміни не входять в комплект поставки.

## ДОПОМІЖНІ ТА ЗМІННІ ЕЛЕМЕНТИ



**Застереження!** Оскільки інші допоміжні та змінні елементи, крім вироблених компанією «СТЕНЛІ», не перевірялися на сумісність з цим виробом, то їх використання може бути небезпечним. Для того, щоб зменшити ризик отримання травми, рекомендується використовувати тільки допоміжні елементи виробництва компанії «СТЕНЛІ».

## ЗАХИСТ ОТОЧУЮЧОГО СЕРЕДОВИЩА

Інструмент, що вийшов з ладу, підлягає спеціальному режиму утилізації. Його не слід утилізувати разом зі звичайними побутовими відходами.

Якщо Ви дійшли висновку, що Ваш інструмент слід замінити, або що він більше не потрібен Вам, не утилізуйте його разом із побутовими відходами. Продукт слід утилізувати у спеціальний спосіб.



Компанія «СТЕНЛІ» забезпечує збирання та переробку відпрацьованих виробів свого виробництва лише тоді, коли вони відпрацьовали свій термін експлуатації. Для того, щоб скористатись цією послугою, передайте, будь-ласка, вироблений нами інструмент ремонтній службі, яка уповноважена нашою компанією на збирання відпрацьованих інструментів.

Ви можете отримати інформацію про адресу найближчої сервісної служби, зв'язавшись із Вашим місцевим представництвом компанії «СТЕНЛІ»; її адресу Ви можете знайти в цьому документі. Також перелік уповноважених компанією «СТЕНЛІ» сервісних служб, а також детальну інформацію щодо сервісного обслуговування інструментів і відповідну контактну інформацію наведено на сайті [www.2helpU.com](http://www.2helpU.com).

## АКУМУЛЯТОРИ

Акумулятори, вироблені компанією «СТЕНЛІ» є виробами багаторазового використання. Після того, як термін використання акумулятору закінчився, утилізуйте його з урахуванням вимог щодо охорони оточуючого середовища:

- ▶ Повністю розрядіть акумулятор та від'єднайте його від інструменту.
- ▶ Нікель-кадмієві, нікель-металгібридні та літій-іонні акумулятори можуть направлятися на переробку. Передавайте їх уповноваженим службам з ремонту або на місцеві пункти переробки.

## ПОЯСНЕННЯ

Постійне удосконалення наших виробів є одним із принципів компанії «СТЕНЛІ», тому ми залишаємо за собою право вносити зміни в конструкцію виробу без попереднього повідомлення про це.

- Базовий виріб та допоміжні/змінні елементи можуть мати різну конструкцію під пас постачання продукції в різні країни.
- Характеристики виробу також можуть бути відмінними в різних країнах.
- Повна лінійка готових виробів в деяких країнах може бути недоступною. З питань асортименту продукції звертайтеся до Вашого місцевого представництва компанії «СТЕНЛІ».

## Технічні дані

SCD20
-------

Напруга Впост. Струму 18
--------------------------

Швидкість обертання в режимі без навантаження об. / хв. 0-350 / 0-1500
--

Макс. Крутильний момент Нм 29.4
---------------------------------

Power output(MWO) W	283
---------------------	-----

Найбільший діаметр свердла, яке можна затиснути у патроні мм 13
---

Зарядний пристрій SC201/ SC202
--------------------------------

Вхідна напруга Взмінн. Струму 220-240
---------------------------------------

Вихідна напруга Впост. Струму 18
----------------------------------

Струм А 1.0 / 2.0
-------------------

Орієнтовний час зарядження мин 75 / 45
--

Акумулятор SB20C
------------------

Напруга Впост. Струму 18
--------------------------

Ємкість Ампер-годин 1.3
-------------------------

Тип Li-Ion
------------

## ІНФОРМАЦІЯ СТОСОВНО ОБСЛУГОВУВАННЯ

Компанія «СТЕНЛІ» має мережу власних сервісних центрів та уповноважених органів з обслуговування інструментів. Всі сервісні організації компанії «СТЕНЛІ» укомплектовані кваліфікованим персоналом, який надає покупцям послуги з ефективного та надійного обслуговування електроінструменту. Для того, щоб отримати додаткову інформацію про наші уповноважені сервісні центри, а також, якщо Вам потрібна порада з технічних питань, ремонт або виготовлені нашої компанію запасні частини, зв'яжіться з найближчим представництвом компанії «СТЕНЛІ».

**STANLEY**

## Гарантійні умови

## Шановний покупець!

1. Вітаємо Вас з покупкою високоякісного виробу STANLEY і висловлюємо вдячність за Ваш вибір.
2. При покупці виробу вимагайте перевірки його комплекtnості і справності у Вашій присутності, інструкцію з експлуатації та заповнений гарантійний талон українською мовою  
В гарантійному талоні повинні бути внесені: модель, дата продажу, серійний номер, дата виробництва інструменту, назва, печатка і підпис торгової організації. За відсутності у Вас правильно заповненого гарантійного талону, а також при невідповідності зазначених у ньому даних ми будемо змушені відхилити Ваші претензії щодо якості даного виробу.
3. Щоб уникнути непорозумінь, переконливо просимо Вас перед початком роботи з виробом уважно ознайомитися з інструкцією з його експлуатації. Правовою основою справжніх гарантійних умов є чинне Законодавство. Гарантійний термін на даний виріб складає 24 місяці і обчислюється з дня продажу. У разі усунення недоліків виробу, гарантійний строк продовжується на період його перебування в ремонті. Термін служби виробу становить 5 років з дня продажу.
4. У разі виникнення будь-яких проблем у процесі експлуатації виробу рекомендуємо Вам звертатися тільки в уповноважені сервісні центри STANLEY, адреси та телефони яких Ви зможете знайти в гарантійному талоні, на сайті [www.2helpU.com](http://www.2helpU.com) або дізнатися в магазині. Наші сервісні станції - це не тільки кваліфікований ремонт, але і широкий асортимент запчастин і аксесуарів.
5. Виробник рекомендує проводити періодичну перевірку і технічне обслуговування виробу в уповноважених сервісних центрах.
6. Наші гарантійні зобов'язання поширюються тільки на несправності, виявлені протягом гарантійного терміну і викликані дефектами виробництва та \ або матеріалів.
7. Гарантійні умови не поширюються на несправності виробу, що виникли в результаті:
  - 7.1 Недотримання користувачем приписів інструкції з експлуатації виробу, застосування виробу не за призначенням, неправильного зберігання, використання приладдя, витратних матеріалів і запчастин, що не передбачені виробником.
  - 7.2 Механічного пошкодження (відколю, тріщини і руйнування) внутрішніх і зовнішніх деталей виробу, основних і допоміжних рукояток, мережевого кабелю, що викликані зовнішнім ударним або будь-яким іншим впливом

- 7.3 Потрапляння у вентиляційні отвори та проникнення всередину виробу сторонніх предметів, матеріалів або речовин, що не є відходами, які супроводжують застосування виробу за призначенням, такими як: стружка, тирса, пісок, та ін.
- 7.4 Впливу на виріб несприятливих атмосферних і інших зовнішніх факторів, таких як дощ, сніг, підвищена вологість, нагрівання, агресивні середовища, невідповідність параметрів електромережі, що зазначені на інструменті.
- 7.5 Стихійного лиха. Пошкодження або втрати виробу, що пов'язані з непередбаченими лихами, стихійними явищами, у тому числі внаслідок дії інших зовнішніх факторів, таких як пожежа, блискавка, потоп і інші природні явища), а також внаслідок перепадів напруги в електромережі та іншими причинами, які знаходяться поза контролем виробника.
8. Гарантійні умови не поширюються:
  - 8.1 На інструменти, що піддавалися розкриттю, ремонту або модифікації поза уповноваженим сервісним центром.
  - 8.2 На деталі, вузли та матеріали, що мають сліди природного зносу, такі як: приводні ремені і колеса, вугільні щітки, мастило, підшипники, зубчасті зчеплення редукторів, гумові ущільнення, сальники, направляючі ролики, муфти, вимикачі, бойки, штовхачі, стволи тощо.
  - 8.3 На змінні частини: патрони, цанги, затискні гайки і фланці, фільтри, акумуляторні батареї, ножі, шліфувальні підшви, ланцюги, зірочки, пильні шини, захисні кожухи, пилки, абразиви, пильні і абразивні диски, фрези, свердла, бури тощо
  - 8.4 На несправності, що виникли в результаті перевантаження інструменту (як механічного, так і електричного), що спричинили вихід з ладу одночасно двох і більше деталей і вузлів, таких як: ротора і статора, обох обмоток статора, веденої і ведучої шестерень редуктора або інших вузлів і деталей. До безумовних ознак перевантаження виробу відносяться, крім інших: поява кольорів мінливості, деформація або оплавлення деталей і вузлів виробу, потемніння або обвуглювання ізоляції проводів електродвигуна під впливом високої температури.



Виробник:  
"Stanley Black & Decker Deutschland GmbH" Black-&Decker Str.40, D-65510 Idstein, Німеччина