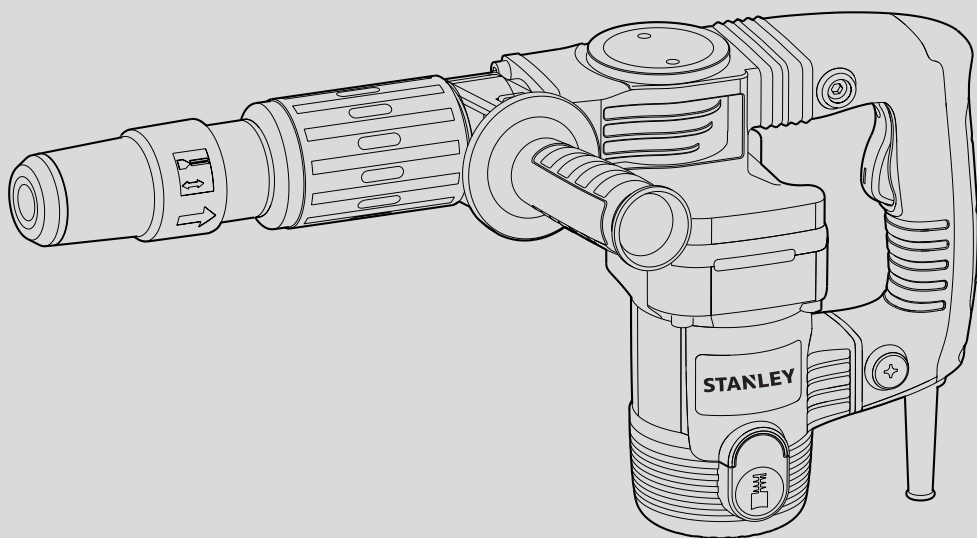


# STANLEY



**STHM5**

English	Page 3
Russian	Page 13
Ukrainian	Page 23

Figure 1

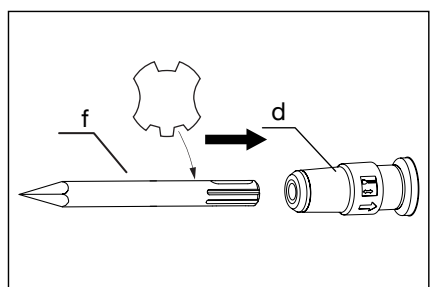
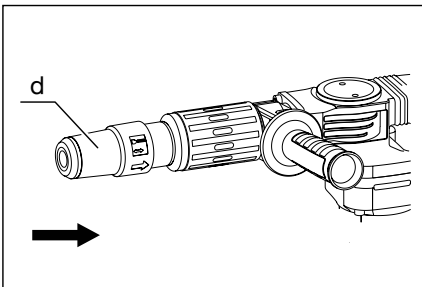
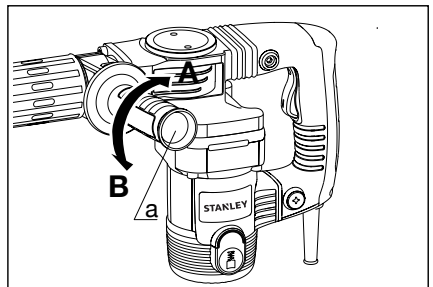
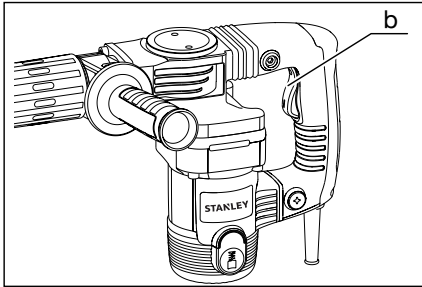
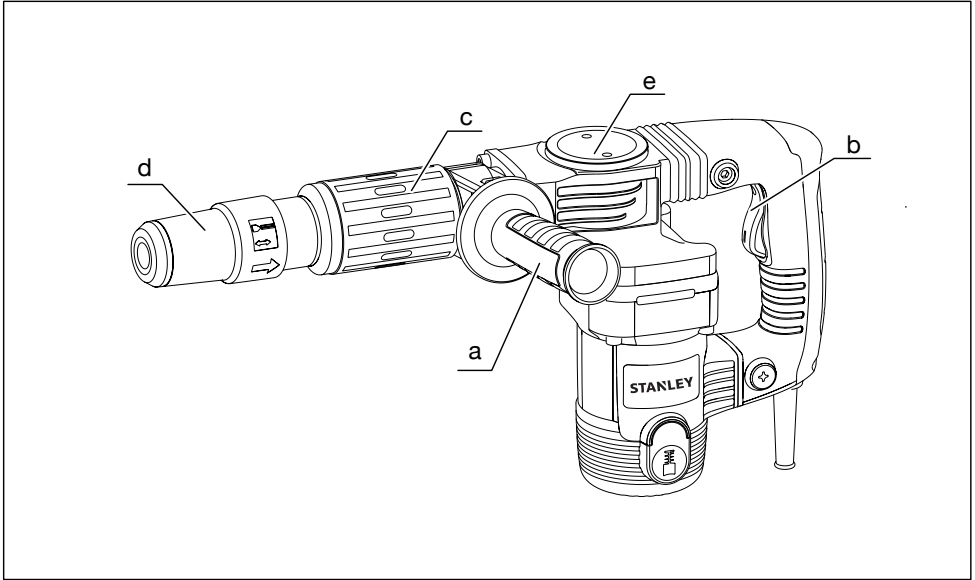


Figure 2

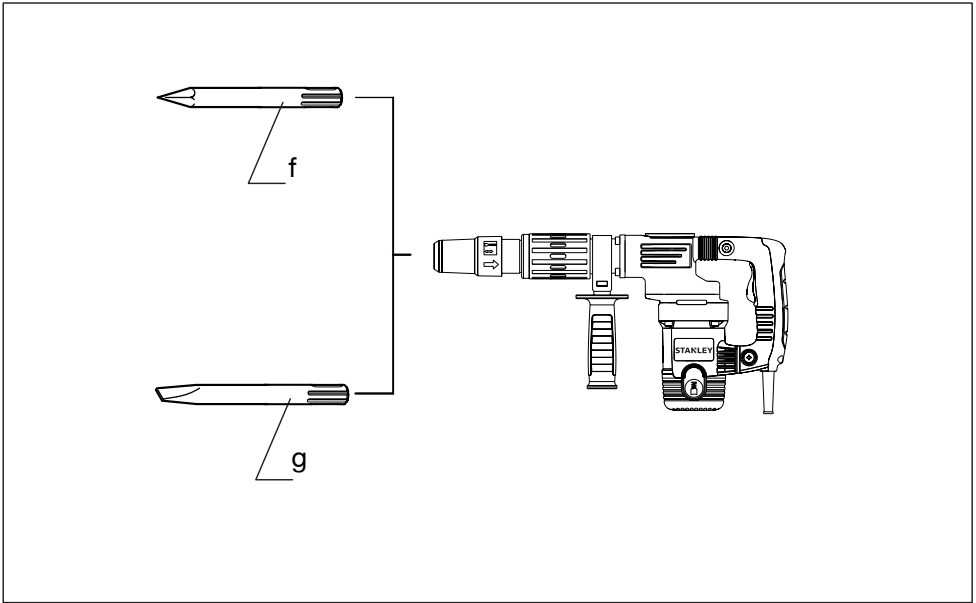


Figure 3

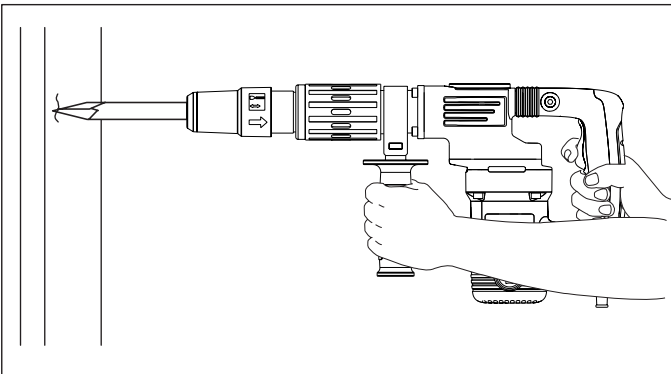
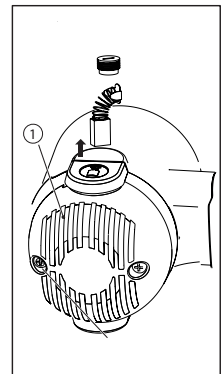


Figure 4



## Intended use

Your STANLEY Demolition Hammer has been designed for professional light or medium chipping, chiselling and demolition applications in concrete, brick and masonry.

## General Power Tool Safety Warnings



**WARNING! Read all safety warnings and instructions.** Failure to follow the warnings and instructions may result in electric shock, fire and/or serious injury.

### Save all warnings and instructions for future reference

The term “power tool” in the warnings refers to your mains-operated (corded) power tool or battery-operated (cordless) power tool.

#### 1. Work area safety

- a. **Keep work area clean and well lit.** Cluttered or dark areas invite accidents.
- b. **Do not operate power tools in explosive atmospheres, such as in the presence of flammable liquids, gases or dust.** Power tools create sparks which may ignite the dust or fumes.
- c. **Keep children and bystanders away while operating a power tool.** Distractions can cause you to lose control.

#### 2. Electrical safety

- a. **Power tool plugs must match the outlet. Never modify the plug in any way. Do not use any adapter plugs with earthed (grounded) power tools.** Unmodified plugs and matching outlets will reduce risk of electric shock.
- b. **Avoid body contact with earthed or grounded surfaces such as pipes, radiators, ranges and refrigerators.** There is an increased risk of electric shock if your body is earthed or grounded.
- c. **Do not expose power tools to rain or wet conditions.** Water entering a power tool will increase the risk of electric shock.
- d. **Do not abuse the cord. Never use the cord for carrying, pulling or unplugging the power tool. Keep cord away from heat, oil, sharp edges or moving parts.** Damaged or entangled cords increase the risk of electric shock.

- e. **When operating a power tool outdoors, use an extension cord suitable for outdoor use.** Use of a cord suitable for outdoor use reduces the risk of electric shock.

- f. **If operating a power tool in a damp location is unavoidable, use a residual current device (RCD) protected supply.** Use of an RCD reduces the risk of electric shock.

#### 3. Personal safety

- a. **Stay alert, watch what you are doing and use common sense when operating a power tool. Do not use a power tool while you are tired or under the influence of drugs, alcohol or medication.** A moment of inattention while operating power tools may result in serious personal injury.
- b. **Use personal protective equipment. Always wear eye protection.** Protective equipment such as dust mask, non-skid safety shoes, hard hat, or hearing protection used for appropriate conditions will reduce personal injuries.
- c. **Prevent unintentional starting. Ensure the switch is in the off-position before connecting to power source and/or battery pack, picking up or carrying the tool.** Carrying power tools with your finger on the switch or energising power tools that have the switch on invites accidents.
- d. **Remove any adjusting key or wrench before turning the power tool on.** A wrench or a key left attached to a rotating part of the power tool may result in personal injury.
- e. **Do not overreach. Keep proper footing and balance at all times.** This enables better control of the power tool in unexpected situations.
- f. **Dress properly. Do not wear loose clothing or jewellery. Keep your hair, clothing and gloves away from moving parts.** Loose clothes, jewellery or long hair can be caught in moving parts.
- g. **If devices are provided for the connection of dust extraction and collection facilities, ensure these are connected and properly used.** Use of dust collection can reduce dust-related hazards.

#### 4. Power tool use and care

- a. **Do not force the power tool. Use the correct power tool for your application.** The correct power tool will do the job better and safer at the rate for which it was designed.
- b. **Do not use the power tool if the switch does not turn it on and off.** Any power tool that cannot be controlled with the switch is dangerous and must be repaired.
- c. **Disconnect the plug from the power source and/or the battery pack from the power tool before making any adjustments, changing accessories, or storing power tools.** Such preventive safety measures reduce the risk of starting the power tool accidentally.
- d. **Store idle power tools out of the reach of children and do not allow persons unfamiliar with the power tool or these instructions to operate the power tool.** Power tools are dangerous in the hands of untrained users.
- e. **Maintain power tools. Check for misalignment or binding of moving parts, breakage of parts and any other condition that may affect the power tools operation. If damaged, have the power tool repaired before use.** Many accidents are caused by poorly maintained power tools.
- f. **Keep cutting tools sharp and clean.** Properly maintained cutting tools with sharp cutting edges are less likely to bind and are easier to control.
- g. **Use the power tool, accessories and tool bits etc. in accordance with these instructions, taking into account the working conditions and the work to be performed.** Use of the power tool for operations different from those intended could result in a hazardous situation.

#### 5. Service

- a. **Have your power tool serviced by a qualified repair person using only identical replacement parts.** This will ensure that the safety of the power tool is maintained.

### Hammer safety warnings

- **Wear ear protectors.** Exposure to noise can cause hearing loss.

- **Use auxiliary handle(s), if supplied with the tool.** Loss of control can cause personal injury.
- **Hold power tool by insulated gripping surfaces when performing an operation where the cutting accessory may contact hidden wiring or its own cord.** Cutting accessory contacting a "live" wire may make exposed metal parts of the power tool "live" and could give the operator an electric shock.
- Be certain that the material being drilled does not conceal electric or gas service and that their locations have been verified with the utility companies.
- **Keep a firm grip on the tool at all times. Do not attempt to operate this tool without holding it with both hands.** Operating this tool with one hand will result in loss of control. Breaking through or encountering hard materials such as re-bar may be hazardous as well. Tighten the side handle securely before use.
- Ensure the chisel is secured in place before operating the tool.
- In cold-weather conditions or when the tool has not been used for a longer period of time, let the tool run with no load for several minutes before use.
- When working above ground level ensure the area below is clear.
- Do not touch the chisel or the parts close to the chisel immediately after operation, as they may be extremely hot and cause burns to the skin.
- Always direct the power cable to the rear, away from the chisel.
- **Do not operate this tool for long periods of time.** Vibration caused by hammer action may be harmful to your hands and arms. Use gloves to provide extra cushion and limit exposure by taking frequent rest periods.

### Other risks









Additional residual risks may arise when using the tool which may not be included in the enclosed safety warnings. These risks can arise from misuse, prolonged use etc. In spite of the application of the relevant safety regulations and the implementation of safety devices, certain risks cannot be avoided.

These are:

- Injuries caused by touching any rotating/moving parts.
- Injuries caused when changing any parts, blades or accessories.
- Injuries caused by prolonged use of a tool. When using any tool for prolonged periods ensure you take regular breaks.
- Impairment of hearing.
- Health hazards caused by breathing dust developed when using your tool (example:- working with wood, especially oak, beech and MDF.)

### Labels on tool

The label on your tool may include the following symbols:


	Read Instructions Manual	Hz ..... Hertz		..... Class II Construction
	Use Eye Protection	W ..... Watts		..... Earthing Terminal
	Use Ear Protection	min ..... minutes		..... Safety Alert Symbol
V ..... Volts			.....	Revolutions or Reciprocation per minute
A ..... Amperes			.....	...../min..
		n <sub>0</sub> ..... No-Load Speed		

### Position of date barcode

The Date Code, which also includes the year of manufacture, is printed into the housing.  
Example:

2014 XX JN  
Year of manufacturing

### Electrical safety

 This tool is double insulated; therefore no earth wire is required. Always check that the power supply corresponds to the voltage on the rating plate.

- If the supply cord is damaged, it must be replaced by the manufacturer or an authorised STANLEY Service Centre in order to avoid a hazard.

### Using an extension cable

If it is necessary to use an extension cable, please used an approved extension cable that fits the tool's power input specifications (please refer to the technical data). The minimum cross-sectional area of the conducting wire is 1.5 sq. mm. Cables should be untangled before reeling up.

### Features

This tool includes some or all of the following features.

- Side Handle
- Switch
- Barrel cover
- Tool sleeve
- Lube oil-injection inlet

### Assembly and adjustment



**Warning!** To reduce the risk of injury, turn unit off and disconnect machine from power source before installing and removing accessories, before adjusting or changing set-ups or when making repairs. Be sure the trigger switch is in the OFF position. An accidental start-up can cause injury.

### Inserting and removing SDS Max accessories (fig. 1)

This tool uses SDS Max accessories (refer to the inset in figure 1 for a cross-section of an SDS Max bit shank). We recommend to use professional accessories only.

- Clean and grease the bit shank.
- Insert the bit shank into the bit holder/tool sleeve (d).
- Push the bit down and turn it slightly until it fits into the slots.
- Pull on the bit to check if it is properly locked. The hammering function requires the bit to be able to move axially several centimetres when locked in the tool holder.
- To remove a bit pull back the tool holder/locking sleeve (d) and pull out the bit.



**Warning:** Always wear gloves when you change accessories. The exposed metal parts on the tool and accessory may become extremely hot during operation.

### Fitting the side handle (fig. 1)

The side handle (a) can be fitted to suit both RH- and LH-users.



**Warning:** Do not use the tool without the side handle properly assembled.

- Loosen the side handle.
- For RH-users: Slide the side handle clamp over the collar behind the tool holder, handle at the left. For LH-users: Slide the side handle clamp over the collar behind the tool holder, handle at the right.

- Rotate the side handle to the desired position and tighten the handle.



### Operation instructions for use

#### Warning:

- Always observe the safety instructions and applicable regulations.
- Be aware of the location of pipework and wiring.
- Apply only a gentle pressure to the tool (approx. 5 kg). Excessive force does not speed up chiselling but decreases tool performance and may shorten tool life.
- Always hold the tool firmly with both hands and ensure a secure stance (fig. 3). Always operate the tool with the side handle properly mounted.

#### Proper hand position (fig. 3)



**Warning:** To reduce the risk of serious personal injury, ALWAYS use proper hand position as shown.



**Warning:** To reduce the risk of serious personal injury, ALWAYS hold securely in anticipation of a sudden reaction.

Proper hand position requires one hand on the side handle (a), with the other hand on the main handle.

#### Switching on and off (fig. 1)

- To run the tool, press the switch (b) and turn it in 'ON' position.
- To stop the tool, turn it in 'OFF' position and release the switch (b).

#### Chipping and chiselling (fig. 1)

- Insert the appropriate chisel in right position.
- Adjust the side handle (a) as required.
- Switch on the tool and start working.
- Always switch off the tool when work is finished and before unplugging.



#### Warning:

- Do not use this tool to mix or pump easily combustible or explosive fluids (benzine, alcohol, etc.).
- Do not mix or stir inflammable liquids labelled accordingly.

#### Maintenance

Your STANLEY corded/cordless appliance/tool has been designed to operate over a long period of time with a minimum of maintenance. To ensure satisfactory operations, the tool must be maintained and cleaned regularly

**Warning!** Before performing any maintenance on corded/cordless power tools:

- Switch off and unplug the appliance/tool.
- Or switch off and remove the battery from the appliance/tool if the appliance/tool has a separate battery pack.
- Or run the battery down completely if it is integral and then switch off.
- Unplug the charger before cleaning it. Your charger does not require any maintenance apart from regular cleaning.
- Regularly clean the ventilation slots in your appliance/tool/charger using a soft brush or dry cloth.
- Regularly clean the motor housing using a damp cloth. Do not use any abrasive or solvent-based cleaner.
- Regularly open the chuck and tap it to remove any dust from the interior (when fitted).

#### Replace the carbon brush (fig. 4)



#### Lubrication

- Regularly replace and check the carbon brushes. Replace it in time when it is worn to the abrasive boundary line. Keep the carbon brush clean and make it freely slide in the brushing range. Two brushes shall be replaced at the same time.
- Use the cross screwdriver to counterclockwise unscrew the screws (4), open the bottom cover (1) with a flat screwdriver to counterclockwise open the brush cover (2), you can remove the brush (3) as shown in the figure 4, and put the new brush, and then clockwise fasten the brush cover (2), finally put the bottom cover (1), and then use the cross screwdriver to tighten it properly.
- Open the cap of the lube oil-injection inlet (e), check the lube oil in the gearbox, if the lube oil is dirty or insufficient, replace or add the adequate amount of lube oil provided by the company.

### Adjusting the screwdrive bit depth (Fig. G)

It is important to control the depth to which the drywall screw will be driven. Over driving the screw will drive the screw too deep and break the outer paper layer of the drywall. Under driving the screw will leave the screw head above the drywall surface making it impossible to properly finish the drywall.

The depth control system is made up of the depth stop (1) and the depth adjuster (2).



**Warning!** The following adjustments should always be verified using a scrap piece of drywall to avoid damaging the “good” drywall sections.

1. Rotate the depth adjuster counter clockwise until approximately 1/4" of the screwdriver bit extends beyond the depth stop.
2. Place a drywall screw onto the screwdriver bit. The magnetized bit will hold the screw onto the bit.

**Note:** Before driving the screw, press the screw point into the drywall and make sure the screw is perpendicular to the drywall.

3. Press the screw against the drywall with steady even pressure and squeeze the trigger switch. The clutch in the tool will engage and the screw will be driven to the preset depth.
4. If the screw is not driven deep enough, the head of the screw will not be recessed into the drywall (Fig. H). In this case, turn the depth adjustment sleeve clockwise until the correct depth has been achieved. If the screw is driven too deep, it will be recessed too far into the drywall and the outer paper of the drywall will be fractured (Fig. I). In this case, turn the depth adjustment sleeve counter clockwise until the correct depth has been achieved. Fig. J illustrates the correct depth for the screw to be driven.

**Note:** For each revolution the depth adjustment sleeve is rotated, the depth will increase/decrease approximately 1/16" (1.6 mm).

### Tips for driving drywall screws

ff Always drive the screws perpendicular to the drywall so the heads are properly countersunk. They should never be driven at an angle.

- Support the tool with both hands wherever possible.

This will provide better control over the tool help eliminate screws being driven at an angle.

- Place the drywall screw on the screwdriver bit. The magnetic bit holder will hold any steel screw for easy starting.
- Press the screw against the drywall with steady even pressure and squeeze the variable speed trigger switch. The clutch in the tool will engage and the screw will be driven to the preset depth. Once fully driven, the clutch will make a chattering sound until the variable speed trigger is released.
- When the screw is properly driven, the screw head will be slightly countersunk into the drywall without breaking the outer drywall paper. At this point, the clutch will release to prevent over driving the screw. This will result in minimum work to fill the holes and taping the seams.
- The belt clip allows you to conveniently attached the screwdriver to your belt. This will allow you to use both hands for positioning the drywall.

### Removing drywall screws (Fig. K)

To remove drywall screws, remove the depth stop (1) to expose the screwdriver bit.

#### Notes:

- a. The depth stop is a press fit onto the depth adjuster (2). Simply twist and pull outward to slide it off the depth adjuster.
- b. You can also turn the depth adjuster clockwise to expose the screwdriver bit. This however will cause you to lose the depth setting and you will have to re-set the depth.

### Maintenance

Keep guards, air vents and the motor housing as clear as possible of dust and dirt. Wipe with a clean cloth and blow through with a low-pressure air supply. Excessive build-up of metal dust can cause tracking of electrical current from the internal parts to exposed metal parts. Do not overload your angle grinder. Overloading causes a reduction in speed and efficiency, causing your angle grinder to become too hot. If this happens, operate your angle grinder under no load for one or two minutes until it has cooled to normal operating temperature. Switching your angle grinder off under load will reduce the life of the switch.





### Cleaning



**Warning!** Blow dirt and dust out of the main housing with dry air as often as dirt is seen collecting in and around the air vents. Wear

approved eye protection and approved dust mask when performing this procedure.



**Warning!** Never use solvents or other harsh chemicals for cleaning the non-metallic parts of the tool. These chemicals may weaken the

material of the parts. Use only mild soap and damp cloth to clean the tool. Never let any liquid get inside the tool; never immerse any part of the tool into liquid.

### Technical data

SPECIFICATION		STHM5
Voltage	V	220-240
Frequency	Hz	50/60
Power	W	1010
Impact rate	bpm	2900
Impact energy	J	8.5
Chuck type		SDS Max
Weight	kg	6.3

### Protecting the environment



Separate collection. This product must not be disposed of with normal household waste.

Should you find one day that your Stanley product needs replacement, or if it is of no further use to you, do not dispose of it with household waste. Make this product available for separate collection.



Separate collection of used products and packaging allows materials to be recycled and used again.

Re-use of recycled materials helps prevent environmental pollution and reduces the demand for raw materials.

Local regulations may provide for separate collection of electrical products from the household, at municipal waste sites or by the retailer when you purchase a new product.

Stanley provides a facility for the collection and recycling of Stanley products once they have reached the end of their working life. To take advantage of this service please return your product to any authorised repair agent who will collect them on our behalf.

You can check the location of your nearest authorised repair agent by contacting your local Stanley office at the address indicated in this manual. Alternatively, a list of authorised Stanley repair agents and full details of our after-sales service and contacts are available on the Internet at: [www.2helpU.com](http://www.2helpU.com)

## Two year full warranty

If your Stanley product becomes defective due to faulty materials or workmanship within 24 months from the date of purchase, Stanley Europe guarantees to replace all defective parts free of charge or – at our discretion – replace the unit free of charge provided that:

- The product has not been misused and has been used in accordance with the instruction manual.
- The product has been subject to fair wear and tear;
- Repairs have not been attempted by unauthorised persons;
- Proof of purchase is produced.
- The Stanley product is returned complete with all original components

If you wish to make a claim, contact your seller or check the location of your nearest authorised Stanley repair agent in the Stanley catalogue or contact your local Stanley office at the address indicated in this manual. A list of authorised Stanley repair agents and full details of our after sales service is available on the internet at: [www.stanleytools.com](http://www.stanleytools.com)

Figure 1

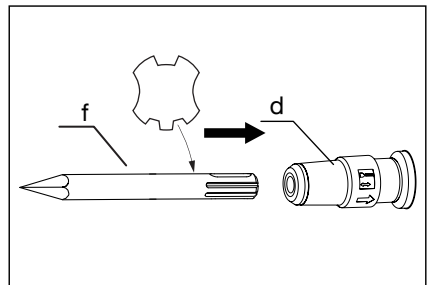
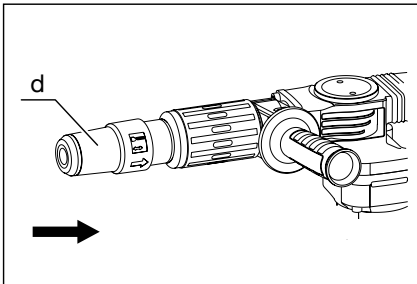
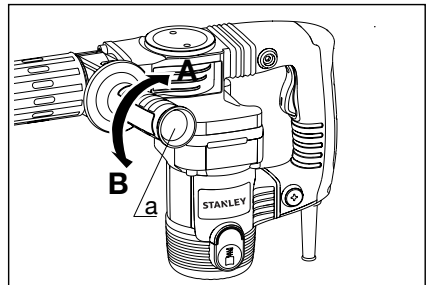
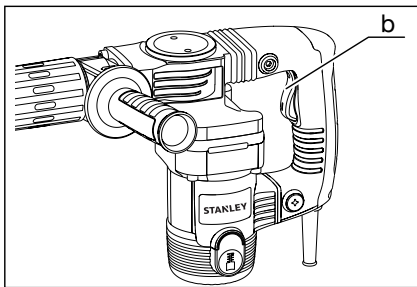
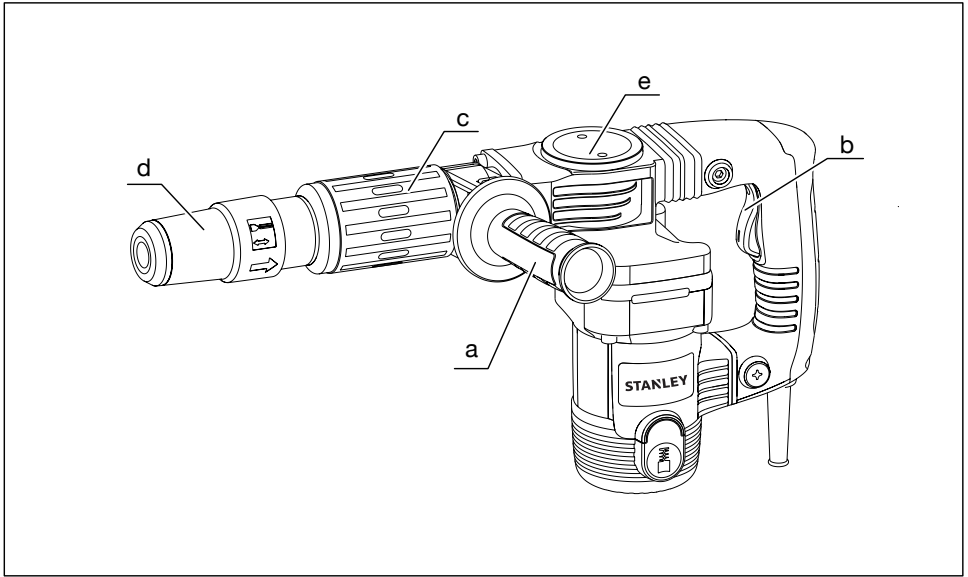


Figure 2

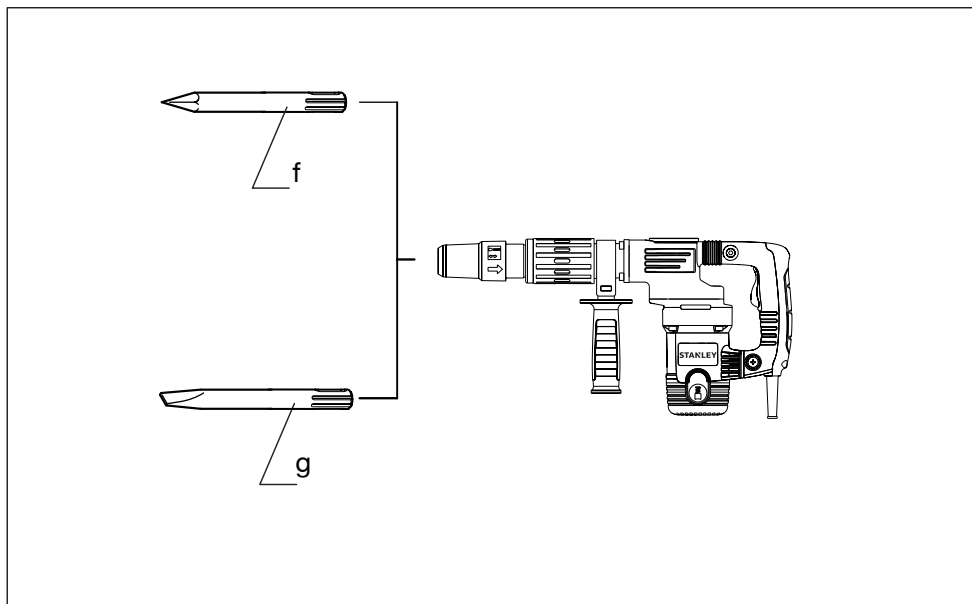


Figure 3

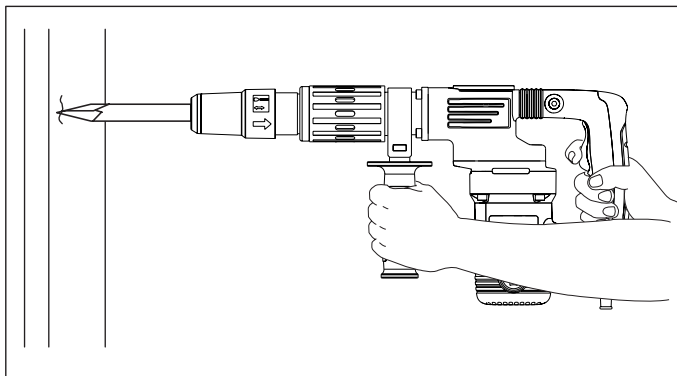
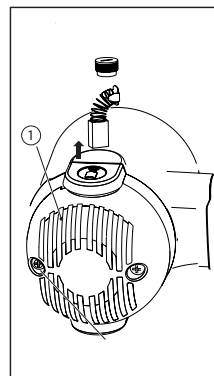


Figure 4



## Использование по назначению

Ваш отбойный молоток STANLEY был разработан для профессионального использования для сколов, долбления и разбивания в бетоне, кирпичной и каменной кладке легкой или средней степени тяжести.

## Общие предупреждения по технике безопасности электроинструментов



**Внимание! Ознакомьтесь со всеми правилами безопасности и инструкциями.** Несоблюдение предупреждений и инструкций, указанных ниже, может привести к поражению электрическим током, пожару и/или серьезной травме.

Сохраните все предупреждения и инструкции для будущего использования.

Термин "электроинструмент" во всех предупреждениях, указанных ниже, относится к вашему сетевому (с кабелем) электроинструменту или аккумуляторному электроинструменту (без кабеля питания).

### 1. Безопасность рабочего места

- a. **Содержите рабочее место в чистоте и хорошо освещенным.** Беспорядок на рабочем месте или отсутствие освещения рабочего места может привести к аварии.
- b. **Не работайте с электроинструментом в месте хранения взрывоопасных материалов, например, в присутствии огнеопасных жидкостей, газов или пыли.** Электрические инструменты создают искры, которые могут воспламенить пыль или пары.
- c. **Дети и посторонние лица должны находиться как можно дальше во время работы с электроинструментом.** Вы можете отвлечься и потерять контроль.

### 2. Электробезопасность

- a. **Вилка электроинструмента должна соответствовать розетке. Никогда не модифицируйте вилку каким-либо образом. Не используйте никакие вилки-переходники с заземленными (замкнутыми на землю) электроинструментами.** Вилки и розетки, которые не подвергались никаким изменениям снижают риск поражения электрическим током.
- b. **Избегайте контакта тела с заземленными поверхностями, такими как трубы, радиаторы, плиты и холодильники.** Существует повышенный риск поражения электрическим током, если ваше тело заземлено.
- c. **Избегайте любого воздействия дождя или влаги на электроинструменты.** Вода, попавшая в электроинструмент, увеличивает риск поражения электрическим током.

- d. **Аккуратно обращайтесь со шнуром питания. Никогда не используйте шнур питания для переноски, перемещения или извлечения вилки из розетки. Держите шнур вдали от источников тепла, масла, острых краев или движущихся частей.** Поврежденные или запутанные шнуры увеличивают риск поражения электрическим током.
- e. **При работе с электроинструментом на улице, используйте удлинитель, подходящий для наружного использования.** Использование кабеля, пригодного для использования на открытом воздухе, снижает риск поражения электрическим током.
- f. **При необходимости работы с электроинструментом во влажной среде, используйте устройство защитного отключения (УЗО).** Использование УЗО снижает риск поражения электрическим током.

### 3. Личная безопасность

- a. **Будьте внимательны, смотрите, что вы делаете, используйте здравый смысл при работе с электроинструментом. Не используйте электроинструмент, если вы устали или находитесь под влиянием наркотиков, алкоголя или лекарств.** Малейшая неосторожность при работе с электроинструментом может привести к серьезным травмам.
- b. **Используйте средства индивидуальной защиты. Всегда надевайте защитные очки. Другое защитное оборудование, включая респиратор, ботинки на нескользящей подошве, защитный шлем или средства защиты органов слуха, используемые в надлежащих условиях, уменьшат риск получения травмы.**
- c. **Для предотвращения случайного запуска, убедитесь, что переключатель находится в выключенном положении перед подключением к источнику питания и/или аккумуляторной батарее, поднятия или переноски инструмента.** Не переносите электроинструмент с пальцем на выключателе и не включайте питание на инструмент с включенным выключателем, что может привести к несчастному случаю.
- d. **Перед включением электроинструмента снимайте регулировочный или гаечный ключ. Гаечный или регулировочный ключ, оставленный на вращающейся части электроинструмента, может привести к травме.**
- e. **Не тянитесь. Сохраняйте правильную стойку и баланс все время.** Это позволяет лучше контролировать инструмент в неожиданных ситуациях.
- f. **Одевайтесь правильно. Не надевайте свободную одежду или украшения. Держите волосы, одежду и перчатки вдали от движущихся частей. Свободная одежда, украшения или длинные волосы могут попасть в движущиеся части.**

g. Если имеются устройства для подключения пылесборника или вытяжки, убедитесь в том, что они подсоединены и используются правильно. Использование пылесборника снижает вероятность возникновения рисков, связанных с пылью.

#### 4. Использование и уход за электроинструментом

a. Не перегружайте электроинструмент. Используйте подходящий электрический инструмент для соответствующего применения.

Правильно подобранный электроинструмент позволит выполнить работу лучше и безопаснее при скорости, для которой он был разработан.

b. Не используйте электроинструмент, если переключатель не может его включить и выключить. Любой электроинструмент, который нельзя контролировать с помощью переключателя, опасен и должен быть отремонтирован.

c. Отключите кабель питания от источника питания и/или аккумуляторный блок от электрического инструмента перед выполнением любых регулировок, замены принадлежностей или при хранении электроинструмента. Такие профилактические меры безопасности уменьшают риск непреднамеренного запуска электрического инструмента.

d. Храните неиспользуемые электроинструменты в недоступном для детей месте и не позволяйте лицам, не знакомым с электроинструментом или данными инструкциями, работать с электроинструментом. Электроинструменты опасны в руках неопытных пользователей.

e. Поддержание электроинструмента. Проверяйте разрегулированность или соединение подвижных частей, поломки частей и любые другие условия, которые могут повлиять на работу электроинструмента. При наличии повреждения, отремонтируйте электроинструмент перед использованием. Многие несчастные случаи являются следствием плохого ухода за электроинструментом.

f. Держите режущий инструмент острым и чистым. Хорошо ухоженный режущий инструмент с острыми режущими кромками легче контролировать.

g. Используйте электроинструмент, аксессуары и сверла в соответствии с данными инструкциями и в порядке, предназначенном для конкретного типа электрического инструмента, принимая во внимание условия работы и характер выполняемой работы. Использование электрического инструмента для операций, отличающихся от тех, для которых он предназначен может привести к опасной ситуации.

#### 5. Обслуживание

a. Обеспечьте, чтобы обслуживание и ремонт

вашего электроинструмента проводился в авторизованном сервисном центре по ремонту с использованием только оригинальных запасных частей. Это станет гарантией безопасности электроинструмента.

#### Предупреждения по безопасности для молота

- Надевайте защитные наушники при сверлении. Воздействие шума может привести к потере слуха.
- Используйте дополнительные рукоятки, если они входят в комплект поставки инструмента. Потеря контроля может привести к травме.
- Держите инструмент за изолированные поверхности во время работы, при которой режущий инструмент может задеть скрытую проводку или собственный кабель. При контакте режущего аксессуара с «живым» проводом или открытыми металлическими частями электроинструмента оператора может ударить электрическим током.
- Будьте уверены, что материал, в котором вы сверлите не имеет скрытых газовых труб или электрической проводки, и что места их расположения были проверены сотрудниками коммунальных предприятий.
- Всегда держите крепко инструмент. Не пытайтесь использовать этот инструмент, если вы не держите его обеими руками. Если вы держите инструмент одной рукой, это может привести к потере контроля. Сверление твердых материалов или столкновение с ними может также привести к опасной ситуации. Надежно затяните боковую рукоятку перед использованием.
- Убедитесь, что долото закреплено правильно перед началом работы с инструментом.
- Во время холодной погоды или в случае, если инструмент не используется в течение длительного периода времени, дайте инструменту поработать без нагрузки в течение нескольких минут перед использованием.
- При работе над уровнем земли убедитесь, что площадь внизу чистая.
- Не прикасайтесь к долоту или любой его части сразу же после работы, так как они могут быть очень горячими и вызвать ожоги кожи.
- Всегда направляйте кабель питания к задней части, в сторону от зубила.
- Не используйте этот инструмент в течение длительного периода времени. Вибрация, вызванная работой молота может быть вредна для рук. Используйте перчатки, чтобы обеспечить дополнительную подушку и ограничить воздействие, делая частые остановки в работе.

## Другие риски







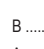


Дополнительные остаточные риски могут возникнуть при использовании инструмента, который не может быть включен в описанные здесь правила техники безопасности. Эти риски могут возникнуть при неправильном или продолжительном использовании изделия и т.п. Несмотря на соблюдение соответствующих правил техники безопасности и использование предохранительных устройств, некоторых остаточных рисков невозможно избежать.

Они включают в себя:

- Травмы в результате касания вращающихся/движущихся частей.
- Риск получения травмы во время смены деталей инструмента, ножей или насадок.
- Травмы, вызванные продолжительным использованием инструмента. При использовании инструмента в течение продолжительного периода времени делайте регулярные перерывы в работе.
- Плохой слух
- Ущерб здоровью в результате вдыхания пыли при использовании инструмента (пример: работа с деревом, в особенности, с древесиной дуба, бука и древесноволокнистой плитой средней плотности)

## Этикетки на инструменте

Этикетка на вашем инструменте может включать следующие символы:

	Читайте инструкции по эксплуатации	$f_c$ ..... Герц		..... Конструкция класса II
	Используйте средства защиты глаз	Вт ..... Ватт		..... Терминал заземления
	Используйте средства защиты органов слуха	мин..... минуты		..... Переменный ток
				..... Символ предупреждения об опасности
V ..... Вольт	$n_0$ ..... Скорость без нагрузки	----- Постоянный ток	.....мин..	..... обороты или возвратно-поступательное движение в минуту
A ..... Ампер				

## Положение даты штрих-кода

Дата кода, который также включает год изготовления, печатается на корпусе.

Пример:

2014 XX JN  
Год изготовления

## Электрическая безопасность



Ваш инструмент защищен двойной изоляцией, поэтому заземляющий провод не требуется. Всегда проверяйте, чтобы

напряжение сети соответствовало напряжению, указанному на заводской табличке.

- Если оригинальный шнур питания поврежден, он должен быть заменен производителем или уполномоченным сервисным центром STANLEY для того, чтобы избежать опасности.

## Использование удлинителя

Если необходимо использовать удлинитель, пожалуйста, используйте утвержденный удлинительный кабель, который соответствует спецификации входного питания инструмента (пожалуйста, обратитесь к техническим данным). Минимальная площадь поперечного сечения проводящей проволоки составляет 1,5 кв. мм. Кабели следует предварительно распутать.

## Особенности

Этот инструмент включает в себя некоторые или все из следующих характеристик.

- Боковая рукоятка
- Переключатель
- Крышка цилиндра
- Рукав инструмента
- Вход для впрыскивания машинного масла

## Монтаж и регулировка



**Предостережение! Чтобы снизить риск получения травмы, выключите устройство и отсоедините машину от источника питания перед установкой и удалением аксессуаров, прежде чем выполнять или изменять настройки или при проведении ремонтных работ. Будьте уверены, что курковый переключатель находится в положении ВЫКЛ. Случайный запуск может привести к травме.**

## Установка и удаление аксессуаров SDS Max (рис. 1)

Этот инструмент использует аксессуары SDS Max (см. вкладыш на рисунке 1 для сечения хвостовика сверла SDS Max). Мы рекомендуем использовать только профессиональные аксессуары.

- Очистите и смажьте хвостовик сверла.
- Вставьте хвостовик сверла в держатель сверла/рукав инструмента (d).
- Нажмите немного вниз и плавно поверните, пока он не войдет в пазы.
- Потяните за сверло, чтобы проверить, правильно ли оно закрывается. Необходимо, чтобы сверло имело возможность перемещаться в осевом направлении на несколько сантиметров, когда блокируется в держателе.

- Чтобы удалить сверло, немного отпустите держатель инструмента/рукав блокировки (d) и немного вытащите.



**Предостережение:** Всегда надевайте перчатки, когда вы меняете насадки. Открытые металлические части инструмента и аксессуаров сильно нагреваются во время работы.

### Установка боковой рукоятки (рис. 1)

Боковая рукоятка (a) может быть установлена для праворуких и леворуких пользователей.



**Предупреждение:** Не используйте инструмент без правильно установленной боковой рукоятки.

- Ослабьте боковую рукоятку.
- Для правой: вставьте боковую рукоятку зажима над воротником за держателем инструмента, ручка слева. Для левой: вставьте боковую рукоятку зажима над воротником за держателем инструмента, ручка справа.
- Поверните боковую рукоятку в нужное положение и затяните ручку.

### Инструкция по эксплуатации для использования



**Предупреждение:**

- Всегда соблюдайте инструкции по технике безопасности, а также соответствующие предписания.
- Будьте осведомлены о местонахождении трубопроводов и электропроводки.
- Применяйте только легкое давление на инструмент (примерно 5 кг). Чрезмерное усилие не ускоряет долбление, но снижает производительность инструмента и может сократить срок его службы.
- Всегда крепко держите инструмент обеими руками и займите правильное безопасное положение (рис. 3). Всегда используйте инструмент с правильно установленной боковой рукояткой.

### Правильное положение рук (рис. 3)



**Предупреждение:** Чтобы уменьшить риск получения серьезной травмы, ВСЕГДА используйте правильное положение рук, как показано на рисунке.



**Предупреждение:** Чтобы уменьшить риск получения серьезной травмы, ВСЕГДА надежно удерживайте инструмент для предотвращения внезапной реакции.

Правильное положение рук во время работы требует, чтобы одна рука лежала на боковой рукоятке (a), а другая на главной ручке.

### Включение и выключение (рис. 1)

- Чтобы запустить программу, нажмите переключатель (b) и поверните его в положение «ВКЛ».
- Для остановки инструмента, поверните его в положение "ВЫКЛ." и отпустите кнопку (b).

### Дробление и долбление (рис. 1)

- Вставьте соответствующее долото в нужное положение.
- Установите боковую рукоятку (a) в соответствии с требованиями.
- Включите инструмент и начните работать.
- Всегда выключайте инструмент, когда работа закончена и перед отключением питания.



**Предупреждение:**

- Не используйте этот инструмент, как смеситель или насос для легко воспламеняющихся или взрывоопасных жидкостей (бензин, спирт и т.д.).
- Не смешивайте или перемешивайте легко воспламеняющиеся жидкости, обозначенные соответствующим образом.

### Обслуживание!

Ваши проводные/беспроводные устройства/инструменты STANLEY были разработаны для работы в течение длительного периода времени при минимальном техническом обслуживании. Для обеспечения удовлетворительной работы, инструмент должен правильно храниться и подвергаться регулярной чистке.

**Предостережение!** Перед выполнением любых работ по обслуживанию проводных/беспроводных электроинструментов:

- Выключите и отсоедините прибор/инструмент.
- Или отключите его и удалите батарею из устройства/инструмента, если прибор/инструмент имеет отдельный аккумулятор.
- Или запустите батарею полностью, если она встроена, а затем выключите.
- Отключите зарядное устройство перед чисткой. Ваше зарядное устройство не требует никакого обслуживания, кроме регулярной чистки.
- Регулярно очищайте вентиляционные прорези инструмента/прибора/зарядного устройства мягкой щеткой или сухой тканью.
- Регулярно очищайте корпус двигателя влажной тканью. Не используйте абразивные вещества или чистящие растворы на основе растворителя.



- Регулярно открывайте патрон и извлекайте его, чтобы удалить пыль внутри.

#### Заманка угольных щеток (рис. 4)



#### Смазка

- Регулярно заменяйте и проверяйте угольные щетки. Заменяйте их своевременно, когда они изнашиваются до границы абразива. Содержите угольные щетки в чистоте и убедитесь, чтобы они свободно скользили в процессе чистки. Все щетки должны быть заменены одновременно.
- Используйте крест отвертки, чтобы открутить винты (4), откройте нижнюю крышку (1) при помощи плоской отвертки против часовой стрелки откройте щеточную крышку (2), вы можете удалить щетку (3), как показано на рисунке 4, и поставить новую щетку, а затем по часовой стрелке закрепить крышку (2), и в конце концов закройте нижнюю крышку (1), а затем используйте крест отвертку, чтобы надежно затянуть винты.
- Откройте крышку входа впрыска смазочного масла (е), проверьте смазочное масло в коробке передач, если смазочное масло загрязнено или его количество недостаточно, замените или добавьте достаточное количество смазочного масла, предоставляемого компанией.

#### Регулировка глубины сверла (рис. G)

Важно контролировать глубину, на которую будет ввинчен винт в гипсокартон. Если винт будет ввинчен слишком глубоко, он может сломать внешний бумажный слой гипсокартона.

Если винт будет недостаточно ввинчен и головка винта будет над поверхностью гипсокартона, это сделает невозможным правильно завершить работу с гипсокартоном. Система контроля глубины состоит из ограничителя глубины (1) и регулятора глубины (2).



**Предостережение!** Следующие настройки всегда должны быть проверены с помощью куска лома гипсокартона, чтобы избежать повреждения "хороших" секций гипсокартона.

1. Поверните регулятор глубины против часовой стрелки примерно до 1/4" так, чтобы сверло вышло за пределы ограничителя глубины.
2. Поставьте винт для гипсокартона на отвертку. Магнитный наконечник удержит винт.

**Примечание:** Перед началом ввинчивания винта, сделайте точку винтом в гипсокартоне и убедитесь, что винт расположен перпендикулярно гипсокартону.

3. Нажмите винтом на гипсокартон с устойчивым надавливанием и выжмите переключатель запуска. Включится сцепление инструмента, и винт будет вращаться в зависимости от заданной глубины.

4. Если винт не входит достаточно глубоко, головка винта не будет утоплена в гипсокартон (рис. h). В этом случае, включите регулятор глубины по часовой стрелке до тех пор, пока не будет достигнута правильная глубина. Если винт входит слишком глубоко, то он будет утоплен слишком глубоко в гипсокартон и наружный бумажный слой гипсокартона будет поврежден (фиг. i). В этом случае, включите регулятор глубины против часовой стрелки до тех пор, пока не будет достигнута правильная глубина. Рисунок j иллюстрирует правильную глубину для винта.

**Примечание:** С каждым оборотом регулировки глубины, глубина будет увеличиваться/уменьшаться примерно на 1/16" (1,6 мм).

#### Советы по ввинчиванию винтов в гипсокартон

Всегда заворачивайте винты перпендикулярно гипсокартону, так чтобы головки винта были должным образом завинчены. Никогда не заворачивайте под углом.

- Держите инструмент обеими руками, когда это возможно. Это обеспечит лучший контроль над инструментом и поможет избежать заворачиванию винтов под углом.
- Поместите винт для гипсокартона на сверло. Магнитный держатель сверла будет удерживать любой стальной винт для легкого запуска.
- Нажмите винтом на гипсокартон с устойчивым надавливанием и выжмите переключатель запуска. Включится сцепление инструмента, и винт будет вращаться в зависимости от заданной глубины. После того, как винт полностью закручен, сцепление станет производить стучащие звуки, пока триггер переменной скорости не будет отпущен.
- Когда винт правильно закручен, головка винта будет немного утоплена в гипсокартон, не нарушая внешний бумажный слой гипсокартона. В этот момент, сцепление будет отпущено, чтобы предотвратить чрезмерное движение винта. Это приведет к минимальной работе по заполнению дыр и заклейки швов.
- Зажим для ремня позволяет легко фиксировать отвертку на поясе. Это позволит вам использовать обе руки для позиционирования гипсокартона.

#### Удаление винтов из гипсокартона (рис. к)

Чтобы удалить винты из гипсокартона и снять ограничитель глубины сверления (1), выставите отвертку/сверло.

#### Примечания:

- а. Ограничитель глубины является прессовой посадкой на глубину регулятора (2). Просто открутите и вытяните наружу, чтобы снять регулятор глубины.

- b. Вы также можете включить регулятор глубины по часовой стрелке, чтобы вытянуть отвертку/сверло. Это приведет к потере ваших настроек глубины, и вам придется повторно установить глубину.

## Обслуживание

Держите кожухи, вентиляционные отверстия и корпус двигателя как можно более чистым от пыли и грязи. Протирайте их чистой тканью и продувайте воздухом под низким давлением. Чрезмерное накопление металлической пыли может привести к высокой проводимости электрического тока от внутренних частей к металлическим частям. Не перегружайте угловую шлифовальную машину. Перегрузка приводит к снижению скорости и эффективности, в результате чего ваша угловая шлифовальная машина станет слишком горячей. Если это произойдет, дайте угловой шлифовальной машине поработать на холостом ходу в течение одной или двух минут, пока она не остынет до нормальной рабочей температуры. Выключение угловой шлифовальной машины под нагрузкой может сократить срок службы переключателя.



### Чистка



**Предостережение!** Выдуйте грязь и пыль из основного корпуса при помощи сухого воздуха каждый раз, когда вы видите скопление грязи и пыли внутри и вокруг вентиляционных отверстий. Надевайте средство защиты глаз и респиратор, утвержденные для использования при выполнении этой процедуры.



**Внимание!** Никогда не используйте растворители или другие агрессивные химикаты для очистки неметаллических деталей инструмента. Эти химические вещества могут ослабить свойства материала, из которого изготовлены эти части. Используйте только мягкое мыло и влажную ткань, чтобы очистить инструмент. Никогда не допускайте попадания жидкости внутрь инструмента; не погружайте никакую часть инструмента в жидкость.

## Технические данные

СПЕЦИФИКАЦИИ		STHM5
Напряжение	V	220-240
Частота	Hz	50/60
Мощность	W	1010
Частота ударов	bpm	2900
Энергия удара	J	8,5
Тип патрона		SDS Max
Масса	кг	6,3

## Защита окружающей среды



Раздельный сбор и утилизация. Этот продукт не следует утилизировать вместе с бытовым мусором.



Раздельный сбор продуктов и упаковок позволяет осуществить их переработку и использовать их повторно. Повторное использование переработанных материалов помогает защищать окружающую среду от загрязнения и снижает расход сырьевых материалов.

Местное законодательство может обеспечить сбор старых электроинструментов отдельно от бытового мусора на муниципальных свалках отходов или в торговом предприятии при покупке нового изделия. Stanley обеспечивает возможность для сбора и утилизации продуктов Stanley, как только они достигли конца своего срока службы. Для того чтобы воспользоваться этой услугой, вы можете сдать ваше изделие в любой авторизованный сервисный центр, который собирает их по нашему поручению.

Вы можете узнать место нахождения вашего ближайшего авторизованного сервисного центра, обратившись в местное отделение Stanley по адресу, указанному в данном руководстве. Кроме того, список авторизованных ремонтных агентов Stanley и полную информацию о нашем послепродажном обслуживании и контактах вы можете найти в Интернете: [www.2helpU.com10](http://www.2helpU.com10)

## Два год полной гарантии

Если ваш продукт STANLEY выходит из строя из-за дефектных материалов или изготовления в течение 24 месяцев с даты покупки, STANLEY Europe гарантирует замену всех неисправных деталей бесплатно или - по своему усмотрению - замену продукта бесплатно при условии, что:

- Продукт использовался правильно, его эксплуатация проводилась строго в соответствии с инструкцией по эксплуатации.
- Продукт подвергался естественному износу;
- Ремонт не проводился посторонними лицами;
- Представлены документы, подтверждающие покупку.
- Продукт STANLEY возвращается в полном комплекте со всеми оригинальными компонентами

Если вы хотите сделать заявку, свяжитесь с продавцом или узнайте место нахождения вашего ближайшего авторизованного сервисного агента Stanley в каталоге Stanley или обратитесь в местное представительство Stanley по адресу, указанному в данном руководстве. Список авторизованных сервисных агентов Stanley и полную информацию о нашем послепродажном обслуживании можно найти в Интернете по адресу: [www.stanleytools.com](http://www.stanleytools.com)

# STANLEY

## Гарантийные условия

### Уважаемый покупатель!

1. Поздравляем Вас с покупкой высококачественного изделия STANLEY и выражаем признательность за Ваш выбор.
2. При покупке изделия требуйте проверки его комплектности и исправности в Вашем присутствии, инструкцию по эксплуатации и заполненный гарантийный талон на русском языке.

В гарантийном талоне должны быть внесены: модель, дата продажи, серийный номер, дата производства инструмента; название, печать и подпись торговой организации. При отсутствии у Вас правильно заполненного гарантийного талона, а также несоответствия указанным в нем данным мы будем вынуждены отклонить Ваши претензии по качеству данного изделия.

3. Во избежание недоразумений убедительно просим Вас перед началом работы с изделием внимательно ознакомиться с инструкцией по его эксплуатации. Правовой основой настоящих гарантийных условий является действующее Законодательство. Гарантийный срок на данное изделие составляет 24 месяца и исчисляется со дня продажи. В случае устранения недостатков изделия, гарантийный срок продлевается на период его нахождения в ремонте. Срок службы изделия составляет 5 лет со дня продажи.
4. В случае возникновения каких-либо проблем в процессе эксплуатации изделия рекомендуем Вам обратиться только в уполномоченные сервисные центры STANLEY, адреса и телефоны которых Вы сможете найти в гарантийном талоне, на сайте [www.2helpU.com](http://www.2helpU.com) или узнать в магазине. Наши сервисные станции - это не только квалифицированный ремонт, но и широкий ассортимент запчастей и принадлежностей.
5. Производитель рекомендует проводить периодическую проверку и техническое обслуживание изделия в уполномоченных сервисных центрах.



Изготовитель

Блэк энд Деккер Холдингс ГмБХ  
Германия, 65510, Идштайн,  
ул. Блэк энд Деккер, 40

6. Наши гарантийные обязательства распространяются только на неисправности, выявленные в течение гарантийного срока и вызванные дефектами производства или материалами.
7. **Гарантийные условия не распространяются на неисправности изделия, возникшие в результате:**
  - 7.1. Несоблюдения пользователем предписаний инструкции по эксплуатации изделия, применения изделия не по назначению, неправильного хранения, использования принадлежностей, расходных материалов и запчастей, не предусмотренных производителем.
  - 7.2. Механического повреждения (скопы, трещины и разрушения) внутренних и внешних деталей изделия, основных и вспомогательных рукояток, сетевого электрического кабеля, вызванного внешним ударным или любым иным воздействием
  - 7.3. Попадания в вентиляционные отверстия и проникновение внутрь изделия посторонних предметов, материалов или веществ, не являющихся отходами, сопровождающими применение изделия по назначению, такими как: стружка, опилки, песок, и пр.
  - 7.4. Воздействий на изделие неблагоприятных атмосферных и иных внешних факторов, таких как дождь, снег, повышенная влажность, нагрев, агрессивные среды, несоответствие параметров питающей электросети, указанных на инструменте.
  - 7.5. Стихийного бедствия. Повреждение или утрата изделия, связанное с непредвиденными бедствиями, стихийными явлениями, в том числе вследствие действия непреодолимой силы (пожар, молния, потоп и другие природные явления), а так же вследствие перепадов напряжения в электросети и другими причинами, которые находятся вне контроля производителя.
8. **Гарантийные условия не распространяются:**
  - 8.1. На инструменты, подвергавшиеся вскрытию, ремонту или модификации вне уполномоченного сервисного центра.
  - 8.2. На детали и узлы, имеющие следы естественного износа, такие как: приводные ремни и колеса, угольные щетки, смазка, подшипники, зубчатое зацепление редукторов, резиновые уплотнения, сальники, направляющие ролики, муфты, выключатели, бойки, толкатели, стволы, и т.п.
  - 8.3. На сменные части: патроны, цанги, зажимные гайки и фланцы, фильтры, аккумуляторные батареи, ножи, шлифовальные поддошвы, цепи, звездочки, пильные шины, защитные кожухи, пилки, абразивы, пильные и абразивные диски, фрезы, сверла, буры и т.п.
  - 8.4. На неисправности, возникшие в результате перегрузки инструмента (как механической, так и электрической), повлекшей выход из строя одновременно двух и более деталей и узлов, таких как: ротора и статора, обеих обмоток статора, ведомой и ведущей шестерни редуктора или других узлов и деталей. К безусловным признакам перегрузки изделия относятся, помимо прочих: появление цветов побежалости, деформация или оплавление деталей и узлов изделия, потемнение или облупливание изоляции проводов электродвигателя под воздействием высокой температуры.

Figure 1

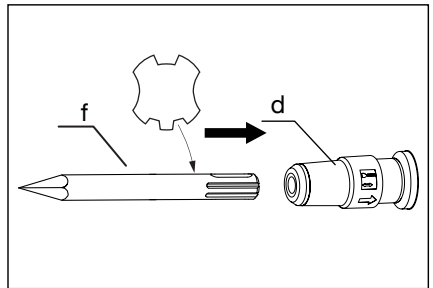
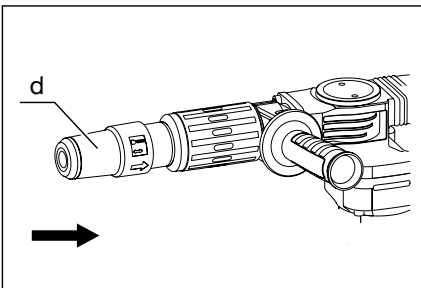
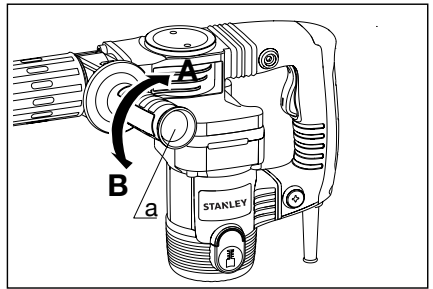
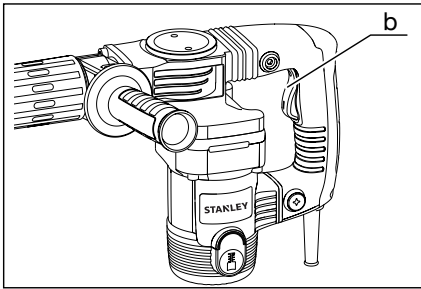
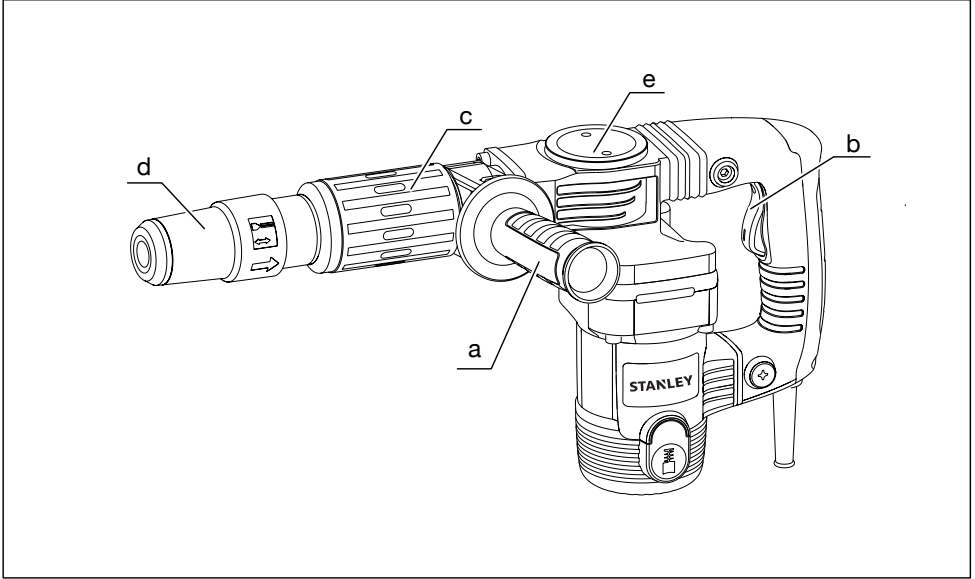


Figure 2

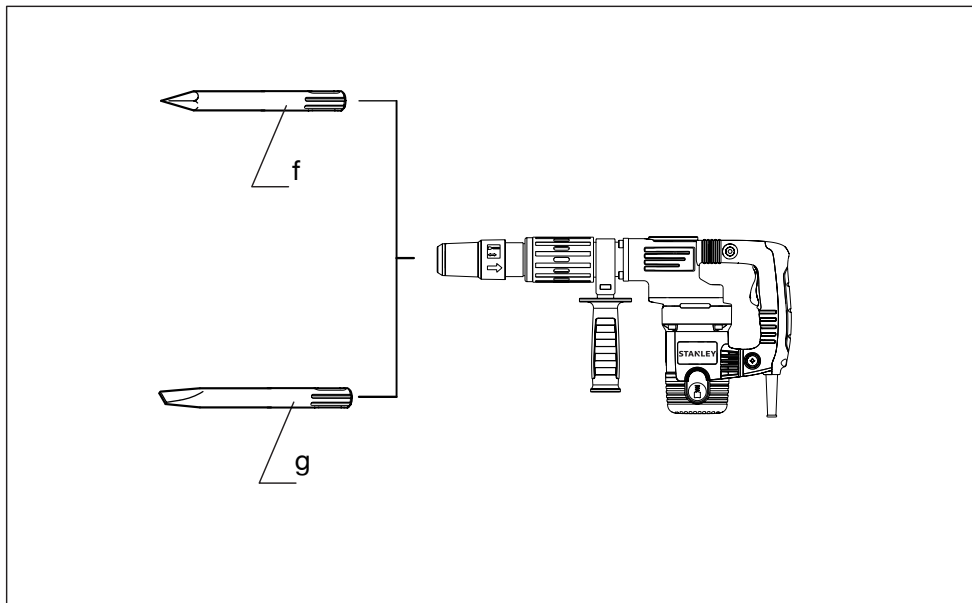


Figure 3

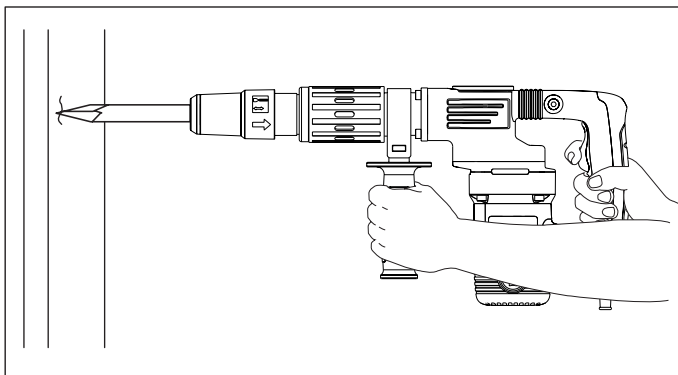
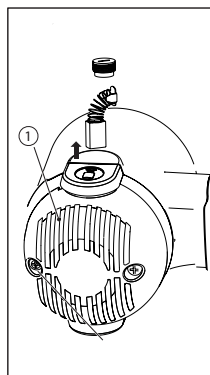


Figure 4



## Використання за призначенням

Ваш відбійний молоток STANLEY був розроблений для професійного використання для відколів, довбання та розбивання в бетоні, цегляній і кам'яній кладці легкого або середнього ступеня тяжкості.

## Загальні попередження з техніки безпеки електроінструментів



**Увага! Ознайомтеся з усіма правилами безпеки та інструкціями.** Недотримання попереджень та інструкцій, зазначених нижче, може призвести до ураження електричним струмом, пожежі та/або серйозної травми.

### Збережіть всі попередження та інструкції для майбутнього використання.

Термін "електроінструмент" у всіх попередженнях, зазначених нижче, відноситься до мережевого (з кабелем) електроінструменту або акумуляторної батареї (без кабелю живлення).

#### 1. Безпека робочого місця

- Утримуєте робоче місце в чистоті і добре освітленим.** Безлад на робочому місці або відсутність освітлення робочого місця може призвести до аварії.
- Не працюйте з електроінструментом в місці зберігання вибухонебезпечних матеріалів, наприклад, у присутності легкозаймистих рідин, газів або пилу.** Електричні інструменти створюють іскри, що можуть запалити пил або пари.
- Діти і сторонні особи повинні знаходитися якнайдалі під час роботи з електроприладами.** Ви можете відволіктися і втратити контроль.

#### 2. Електробезпека

- Вилка електроінструмента повинна відповідати розетці.** Ніколи не змінюйте вилку будь-яким чином. Не використовуйте ніякі вилки-перехідники з заземленими (замкнутими на землю) електроінструментами. Вилки і розетки, які не піддавалися ніяким змінам знижують ризик ураження електричним струмом.
  - Уникайте контакту тіла з заземленими поверхнями, такими як труби, радіатори, плити та холодильники.** Існує підвищений ризик ураження електричним струмом, якщо ваше тіло заземлене.
  - Уникайте будь-якого впливу дощу або вологи на електроінструменти.** Вода, що потрапила в електроінструмент, збільшує ризик ураження електричним струмом.
  - Обережно поводьтеся зі шнуром живлення.** Ніколи не використовуйте шнур живлення для перенесення, переміщення або вилучення вилки з розетки. Тримайте шнур подалі від джерел тепла, масла, гострих країв або рухомих частин. Пошкоджені або залпугані шнури збільшують ризик ураження електричним струмом.
- При роботі з електроінструментом на вулиці, використовуйте подовжувач, відповідний для зовнішнього використання.** Використання кабелю, придатного для використання на відкритому повітрі, знижує ризик ураження електричним струмом.
  - При необхідності роботи з електроінструментом у вологому середовищі, використовуйте пристрій захисного відключення (ПЗВ).** Використання ПЗВ знижує ризик ураження електричним струмом.
- ### 3. Особиста безпека
- Будьте уважні, дивіться, що ви робите, використовуйте здоровий глузд при роботі з електроприладами.** Не використовуйте електроінструмент, якщо ви втомилися або перебуваєте під впливом наркотиків, алкоголю або ліків. Найменша необережність при роботі з електроінструментом може призвести до серйозних травм.
  - Використовуйте засоби індивідуального захисту. Завжди надягайте захисні окуляри.** Інше захисне обладнання, включаючи респіратор, черевики на нековзній підшаві, захисний шолом або засоби захисту органів слуху, використовувати в належних умовах, зменшать ризик отримання травми.
  - Для запобігання випадкового запуску, переконайтеся, що перемикач знаходиться у вимкненому положенні перед підключенням до джерела живлення та/або акумуляторної батареї, підняття або перенесення інструменту.** Не переносьте електроінструмент з пальцем на вимикачі і не вмикайте електроживлення на інструмент з увімкненим вимикачем, що може призвести до нещасного випадку.
  - Перед вклученням електроінструменту знімайте регульовальний або гайковий ключ.** Гайковий або регульовальний ключ, залишений на обертовій частині електроінструменту, може призвести до травми.
  - Не тягніться. Зберігайте правильну стійку і баланс весь час.** Це дозволяє краще контролювати інструмент в несподіваних ситуаціях.
  - Одягайтеся правильно. Не надягайте вільний одяг або прикраси.** Тримайте волосся, одяг і рукавички далеко від рухомих частин. Вільний одяг, прикраси або довге волосся можуть потрапити в рухомі частини.
  - Якщо є пристрій для підключення пілозбірника або витяжки, переконайтеся в тому, що вони під'єднані і використовуються правильно.** Використання пілозбірника знижує ймовірність виникнення ризиків, пов'язаних з пилом.

#### 4. Використання та догляд за електроінструментом

- a. **Не перевантажуйте електроінструмент. Використовуйте відповідний електричний інструмент для відповідного застосування.** Правильно підібраний електроінструмент дозволяє виконати роботу краще і безпечніше при швидкості, для якої він був розроблений.
- b. **Не використовуйте електроінструмент, якщо перемикач не може його включити і вимкнути.** Будь-який електроінструмент, який не можна контролювати за допомогою перемикача, є небезпечний і повинен бути відремонтований.
- c. **Від'єднайте кабель живлення від джерела живлення та/або акумулятора від електричного інструменту перед виконанням будь-яких регулювань, заміни приладдя або при зберіганні електроінструменту.** Такі профілактичні заходи безпеки зменшують ризик ненавмисного запуску електричного інструменту.
- d. **Зберігайте електроприлади в недоступному для дітей місці і не дозволяйте особам, які не знайомі з електричним інструментом або даними інструкціями, працювати з електроприладами.** Електроінструменти небезпечні в руках недосвідчених користувачів.
- e. **Підтримання електроінструменту. Перевіряйте розрегульованість або з'єднання рухомих частин, поломки частин і будь-які інші умови, які можуть вплинути на роботу електроінструменту.** При наявності пошкодження, відремонтуйте електроінструмент перед використанням. Багато нещасних випадків є наслідком поганого догляду за електроінструментом.
- f. **Тримайте ріжучий інструмент гострим і чистим.** Добре доглянутий ріжучий інструмент з гострими ріжучими краями легше контролювати.
- g. **Використовуйте електроінструмент, аксесуари та свердла відповідно до даних інструкцій і в порядку, призначеному для конкретного типу електричного інструменту, беручи до уваги умови роботи і характер виконуваної роботи.** Використання електричного інструменту для операцій, які відрізняються від тих, для яких він призначений, може призвести до небезпечної ситуації.
5. **Обслуговування**
  - a. **Забезпечте, щоб обслуговування і ремонт вашого електроінструменту проводився в авторизованому сервісному центрі по ремонту з використанням тільки оригінальних запасних частин.** Це стане гарантією безпеки електроінструменту.

#### Попередження з безпеки для молота

- **Одягайте захисні навушники при свердлінні.** Вплив шуму може призвести до втрати слуху.
- **Використовуйте додаткові рукоятки, якщо вони входять в комплект поставки інструменту.** Втрата контролю може призвести до травми.
- **Тримайте інструмент за ізольовані поверхні під час роботи, при якій ріжучий інструмент зачепити приховану проводку або власний кабель.** При контакті ріжучого аксесуара з «живим» проводом або відкритими металевими частинами електроінструменту оператора може вдарити електричним струмом.
- **Будьте впевнені, що матеріал, в якому ви свердлисте, не має прихованих газових труб або електричної проводки, і що місця їх розташування були перевірені співробітниками комунальних підприємств.**
- **Завжди міцно тримайте інструмент. Не намагайтеся використовувати цей інструмент, якщо ви не тримаєте його обома руками.** Якщо ви тримаєте інструмент однією рукою, це може призвести до втрати контролю. Свердління твердих матеріалів або зіткнення з ними може також призвести до небезпечної ситуації. Надійно затягніть бокову рукоятку перед використанням.
- **Переконайтеся, що долото закріплено правильно перед початком роботи з інструментом.**
- **Під час холодної погоди або в разі, якщо інструмент не використовується протягом тривалого часу, дайте інструменту попрацювати без навантаження протягом декількох хвилин перед використанням.**
- **При роботі над рівнем землі переконайтеся, що площа внизу чиста.**
- **Не торкайтеся свердла або будь-якої його частини відразу ж після роботи, оскільки вони можуть бути дуже гарячими і викликати опіки шкіри.**
- **Завжди направляйте кабель живлення до задньої частини, в сторону від зубила.**
- **Не використовуйте цей інструмент протягом тривалого часу.** Вібрація, викликана роботою молота може бути шкідлива для рук. Використовуйте рукавички, щоб забезпечити додаткову подушку і обмежити вплив, роблячи часті зупинки в роботі.

#### Інші ризики

Додаткові залишкові ризики можуть виникнути при використанні інструменту, який не може бути включений в описані тут правила техніки безпеки. Ці ризики можуть виникнути при неправильному або тривалому використанні виробу і т.д. Незважаючи на дотримання відповідних правил техніки безпеки та використання запобіжних пристроїв, деяких залишкових ризиків неможливо уникнути.





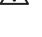




Вони включають в себе:

- Травми в результаті торкання обертових/рухомих частин.
- Ризик отримання травми під час зміни деталей інструменту, ножів або насадок.
- Травми, викликані тривалим використанням інструменту. При використанні інструменту протягом тривалого часу робіть регулярні перерви в роботі.
- Поганий слух
- Збиток здоров'ю внаслідок вдихання пилу при використанні інструменту (приклад: робота з деревом, особливо, з деревиною дуба, бука і деревоволокнистими плитами середньої щільності)

## Етикетки на інструменті

Етикетки на вашому інструменті можуть включати такі символи:

	Читайте інструкції з експлуатації	Gc ..... Герц		..... Конструкція класу II
	Використовуйте засоби захисту очей	Vt ..... Ватт		..... Термінал заземлення
	Використовуйте засоби захисту органів слуху	min ..... хвилини		..... Символ попередження про небезпеку
				..... обороти або зворотно-поступальний рух в хвилину
V ..... Вольт		..... Змінний струм	хв..	
A ..... Ампер		..... Постійний струм		
		$n_0$ ..... Швидкість без навантаження		

## Положення дати штрих-коду

Дата коду, який також включає рік виготовлення, друкується на корпусі.

Приклад:

2014 XX JN  
Рік виготовлення

## Електрична безпека

Ваш інструмент захищений подвійною ізоляцією, тому заземлюючий провід не потрібно. Завжди перевіряйте, щоб напруга мережі відповідала напрузі, вказаній на таблиці.

- Якщо оригінальний шнур живлення пошкоджений, він повинен бути замінений виробником або уповноваженим сервісним центром STANLEY для того, щоб уникнути небезпеки.

## Використання подовжувача

Якщо необхідно використовувати подовжувач, будь ласка, використовуйте затверджений подовжувач, який відповідає специфікації вхідного живлення інструменту (будь ласка, зверніться до технічних даних). Мінімальна площа поперечного перерізу провідного дроту складає 1,5 кв. мм. Кабелі слід заздалегідь розплутати.

## Особливості

Цей інструмент включає в себе деякі або всі з таких характеристик.

- Бічна рукоятка
- Перемикач
- Кришка циліндра
- Рукав інструменту
- Вхід для уприскування машинного масла

## Монтаж і регулювання



**Застереження! Щоб знизити ризик отримання травми, вимкніть пристрій і від'єднайте машину від джерела живлення перед установкою і видаленням аксесуарів, перш ніж виконувати або змінювати налаштування або при проведенні ремонтних робіт. Будьте впевнені, що курок перемикача знаходиться в положенні ВИКЛ. Випадковий запуск може призвести до травми.**

### Установка і видалення аксесуарів SDS Max (мал. 1)

Цей інструмент використовує аксесуари SDS Max (див. вкладиш на малюнку 1 для перетину хвостовика свердла SDS Max). Ми рекомендуємо використовувати тільки професійні аксесуари.

- Очистіть і змастіть хвостовик свердла.
- Вставте хвостовик свердла в тримач свердла/рукав інструменту (d).
- Натисніть трохи вниз і плавно поверніть, поки він не вийде в пази.
- Потягніть за свердло, щоб перевірити, чи правильно воно закривається. Необхідно, щоб свердло мало можливість переміщатися в осьовому напрямку на кілька сантиметрів, коли блокується в утримувачі.
- Щоб видалити свердло, трохи відпустіть утримувач інструменту/рукав блокування (d) і трохи витягніть.

**Застереження:** Завжди надягайте рукавички, коли міняєте насадки. Відкриті металеві частини інструменту і аксесуарів сильно нагріваються під час роботи.

### Установка бічної рукоятки (мал. 1)

Бічна рукоятка (a) може бути встановлена для праворуких і ліворуких користувачів.



**Попередження:** Не використовуйте інструмент без правильно встановленої бічної рукоятки.

- Послабте бічну рукоятку.

- Для правшів: вставте бічну рукоятку затіску над комірком за утримувачем інструменту, ручка зліва. Для лівшів: вставте бічну рукоятку затіску над комірком за утримувачем інструменту, ручка справа.
- Поверніть бічну рукоятку в потрібне положення і затягніть ручку.

## Інструкція з експлуатації для використання



### Попередження:

- Завжди дотримуйтесь інструкції з техніки безпеки, а також відповідних розпоряджень.
- Ви повинні знати про місцезнаходження трубопроводів і електропроводів.
- Використовуйте лише легкий тиск на інструмент (приблизно 5 кг). Надмірне зусилля не прискорює додання, але знижує продуктивність інструменту та може скоротити термін його служби.
- Завжди міцно тримайте інструмент обома руками і займіть правильне безпечне положення (мал. 3). Завжди використовуйте інструмент з правильно встановленою бічною рукояткою.

### Правильне положення рук (мал. 3)



**Попередження:** Щоб зменшити ризик отримання серйозної травми, ЗАВЖДИ використовуйте правильне положення рук, як показано на малюнку.



**Попередження:** Щоб зменшити ризик отримання серйозної травми, ЗАВЖДИ надійно утримуйте інструмент для запобігання раптової реакції.

Правильне положення рук під час роботи вимагає, щоб одна рука лежала на бічній рукоятці (а), а інша на головній ручці.

### Вмикання і вимикання (мал. 1)

- Щоб запустити програму, натисніть перемикач (b) і поверніть його в положення «ВКЛ».
- Для зупинки інструмента, поверніть його в положення "ВИКЛ." і відпустіть кнопку (b).

### Дроблення и долбление (рис. 1)

- Вставте відповідне долото в потрібне положення.
- Встановіть бічну рукоятку (а) відповідно до вимог.
- Включіть інструмент і почніть працювати.
- Завжди вимикайте інструмент, коли робота закінчена і перед відключенням живлення.



### Попередження:

- Не використовуйте цей інструмент, як змішувач або насос для легкозаймистих або вибухонебезпечних рідин (бензин, спирт і т.д.).
- Не змішуйте і не перемішуйте легкозаймисті рідини, позначені відповідним чином.

### Обслуговування

Ваші дротові/бездротові пристрої/інструменти STANLEY були розроблені для роботи протягом тривалого періоду часу при мінімальному технічному обслуговуванні. Для забезпечення задовільної роботи, інструмент повинен правильно зберігатися і піддаватися регулярному чищенню.

**Застереження!** Перед виконанням будь-яких робіт з обслуговування дротових/бездротових електрінструментів:

- Вимкніть і відключіть прилад/інструмент.
- Або вимкніть його і видаліть батарею з пристрою/інструменту, якщо прилад/інструмент має окремий акумулятор.
- Або запустіть батарею повністю, якщо вона вбудована, а потім вимкніть.
- Від'єднайте зарядний пристрій перед чищенням. Ваш зарядний пристрій не вимагає ніякого обслуговування, крім регулярного чищення.
- Регулярно очищуйте вентиляційні прорізи інструменту/приладу/зарядного пристрою м'якою щіткою або сухою тканиною.
- Регулярно очищуйте корпус двигуна вологою тканиною. Не використовуйте абразивні речовини або чистячі розчини на основі розчинника.
- Регулярно відкривайте патрон і виймайте його, щоб видалити пил всередині.

### Заміна вугільних щіток (рис. 4)



### Масило

- Регулярно замінійте і перевіряйте вугільні щітки. Замінійте їх своєчасно, коли вони зношуються до кордону абразиву. Утримуєте вугільні щітки в чистоті і переконайтеся, щоб вони вільно ковзали в процесі чищення. Обидві щітки повинні бути замінені одночасно.
- Використовуйте крос викрутки, щоб відкрутити гвинти (4), відкрийте нижню кришку (1) за допомогою плоскої викрутки проти годинникової стрілки відкрийте щіткову кришку (2), ви можете видалити щітку (3), як показано на малюнку 4, і поставити нову щітку, а потім за годинниковою стрілкою закріпити кришку (2), і врешті-решт закрийте нижню кришку (1), а потім використовуйте крос викрутку, щоб надійно затягнути гвинти.

- Відкрийте кришку входу вприскування мастила (е), перевірте мастило в коробці передач, якщо мастило забруднено або його кількість недостатня, замініть або додайте достатню кількість мастила, що надається компанією.

### Регулювання глибини свердла (рис. G)

Важливо контролювати глибину, на яку буде угвинчений гвинт в гіпсокартон. Якщо гвинт буде угвинчений занадто глибоко, він може зламати зовнішній паперовий шар гіпсокартону. Якщо гвинт буде недостатньо угвинчений і головка гвинта буде над поверхнею гіпсокартону, це унеможливить правильно завершити роботу з гіпсокартоном.

Система контролю глибини складається з обмежувача глибини (1) і регулятора глибини (2).



**Застереження!** Наступні налаштування завжди повинні бути перевірені за допомогою шматка брухту гіпсокартону, щоб уникнути пошкодження "хороших" секцій гіпсокартону.

1. Поверніть регулятор глибини проти годинникової стрілки приблизно до 1/4" так, щоб свердло виходило за межі обмежувача глибини.
2. Поставте гвинт для гіпсокартону на викрутку. Намагнічений наконечник утримає гвинт.

**Примітка:** Перед початком вгвинчування гвинта, зробіть точку гвинтом в гіпсокартоні і переконайтеся, що гвинт розташований перпендикулярно гіпсокартону.

3. Натисніть гвинтом на гіпсокартон зі стійким натисканням і вивачіть перемикач запуску. Включиться зчеплення інструменту, і гвинт буде обертатися в залежності від заданої глибини.
4. Якщо гвинт не входить досить глибоко, головка гвинта не буде втоплена в гіпсокартон (рис. h). У цьому випадку, включіть регулятор глибини за годинниковою стрілкою до тих пір, поки не буде досягнута правильна глибина. Якщо гвинт входить занадто глибоко, то він буде втоплений занадто глибоко в гіпсокартон і зовнішній паперовий шар гіпсокартону буде пошкоджений (фіг. i). У цьому випадку, включіть регулятор глибини проти годинникової стрілки до тих пір, поки не буде досягнута правильна глибина. Малюнок j ілюструє правильну глибину для гвинта.

**Примітка:** З кожним оборотом регулювання глибини, глибина буде збільшуватися/зменшуватися приблизно на 1/16" (1,6 мм).

### Поради щодо вгвинчування гвинтів в гіпсокартон

Завжди завертайте гвинти перпендикулярно гіпсокартону, так щоб головки гвинта були належним чином загвинчені. Ніколи не завертайте гвинти під кутом.

- Тримайте інструмент обома руками, коли це можливо. Це забезпечить кращий контроль над інструментом і допоможе уникнути загвинчуванню гвинтів під кутом.
- Помістіть гвинт для гіпсокартону на свердло. Намагнічений тримач свердла буде утримувати сталевий гвинт для легкого запуску.
- Натисніть гвинтом на гіпсокартон зі стійким натисканням і вивачіть перемикач запуску. Включиться зчеплення інструменту, і гвинт буде обертатися в залежності від заданої глибини. Після того, як гвинт повністю загвинчений, зчеплення стане виробляти стукаючі звуки, поки тригер змінної швидкості не буде відпущений.
- Коли гвинт правильно закручений, головка гвинта буде трохи втоплена в гіпсокартон, не порушуючи зовнішній паперовий шар гіпсокартону. У цей момент, зчеплення буде звільнено, щоб запобігти надмірному руху гвинта. Це призведе до мінімальної роботи щодо заповнення дірок і заклеювання швів.
- Зажим для ремня дозволяє легко фіксувати викрутку на поясі. Це дозволить вам використовувати обидві руки для позиціонування гіпсокартону.

### Видалення гвинтів гіпсокартону (рис. K)

Щоб видалити гвинти для гіпсокартону і зняти обмежувач глибини свердління (1), виставте викрутку.

#### Примітки:

- a. Обмежувач глибини є пресової посадкою на глибину регулятора (2). Просто відкрутіть і витягніть назовні, щоб зняти регулятор глибини.
- b. Ви також можете включити регулятор глибини за годинниковою стрілкою, щоб витягнути викрутку. Це призведе до втрати ваших налаштувань глибини, і вам доведеться повторно встановити глибину.

### Обслуговування

Тримайте кожухи, вентиляційні отвори і корпус двигуна якомога чистішим від пилу і бруду. Протирайте їх чистою тканиною і продувайте повітрям під низьким тиском. Надмірне накопичення металевого пилу може призвести до високої провідності електричного струму від внутрішніх частин до металевих частин. Не перевантажуйте кутову шліфувальну машину. Перевантаження призводить до зниження швидкості та ефективності, в результаті чого ваша кутова шліфувальна машина стане дуже гарячою. Якщо це відбудеться, дайте кутовій шліфувальній машині попрацювати на холостому ходу протягом однієї або двох хвилин, поки вона не охолоне до нормальної робочої температури. Виконання кутової шліфувальної машини під навантаженням може скоротити термін служби перемикача.

**Чищення**

**Застереження!** Видувайте бруд і пил з основного корпусу за допомогою сухого повітря кожен раз, коли ви бачите скупчення бруду і пилу всередині і навколо вентиляційних отворів. Одягайте засіб захисту очей і респіратор, затверджені для використання при виконанні цієї процедури.



**Увага!** Ніколи не використовуйте розчинники або інші агресивні хімікати для очищення неметалевих деталей інструменту. Ці хімічні речовини можуть послабити властивості матеріалу, з якого виготовлені ці частини. Використовуйте тільки м'яке мило і вологу тканину, щоб очистити інструмент. Ніколи не допускайте попадання рідини всередину інструменту і не занурюйте ніяку частину інструменту в рідину.

**Технічні дані**

СПЕЦИФИКАЦІЇ		STHM5
Напруга	V	220-240
Частота	Hz	50/60
Потужність	W	1010
Частота ударів	bpm	2900
Енергія удару	J	8,5
Тип патрона		SDS Max
Вага	кг	6,3

**Захист навколишнього середовища**

Роздільний збір і утилізація. Цей продукт не слід утилізувати разом з побутовим сміттям.

Якщо ви зрозумієте, що ваш продукт Stanley потребує заміни, або якщо він не має ніякого подальшого застосування для вас, не викидайте його разом з побутовими відходами. Надайте цей продукт для роздільного збору/утилізації.



Роздільний збір продуктів і упаковок дозволяє здійснити їх переробку і використати їх повторно. Повторне використання перероблених матеріалів допомагає захищати довкілля від забруднення і знижує витрату сировинних матеріалів.

Місцеве законодавство може забезпечити збір старих електроінструментів окремо від побутового сміття на муніципальних звалищах відходів або в торговому підприємстві при купівлі нового виробу. Stanley забезпечує можливість для збору і утилізації продуктів Stanley, як тільки вони досягли кінця свого терміну служби. Для того, щоб скористатися цією послугою, ви можете здати ваш виріб у будь-який авторизований сервісний центр, який збирає їх за нашим дорученням.

Ви можете упізнати місце знаходження вашого найближчого авторизованого сервісного центру, звернувшись в місцеве відділення Stanley за адресою, вказаною в цьому керівництві. Крім того, список авторизованих ремонтних агентів Stanley і повну інформацію про наше післяпродажне обслуговування і контакти ви можете знайти в Інтернеті: [www.2helpu.com10](http://www.2helpu.com10)

## Два рік повної гарантії

Якщо ваш продукт STANLEY виходить з ладу із-за дефектних матеріалів або виготовлення впродовж 24 місяців з дати купівлі, STANLEY Europe гарантує заміну усіх несправних деталей безкоштовно або - на власний розсуд - заміну продукту безкоштовно за умови, що:

- Продукт використовувався правильно, його експлуатація проводилася строго відповідно до інструкції з експлуатації.
- Продукт піддавався звичайному зносу;
- Ремонт не проводився сторонніми особами;
- Представлені документи, що підтверджують купівлю.
- Продукт STANLEY повертається в повному комплекті з усіма оригінальними компонентами

Якщо ви хочете зробити заяву, зв'яжіться з продавцем або з'ясуйте місце знаходження вашого найближчого авторизованого сервісного агента Stanley в каталозі Stanley або зверніться в місцеве представництво Stanley за адресою, вказаною в цьому посібнику. Список авторизованих сервісних агентів Stanley і повну інформацію про наше післяпродажне обслуговування можна знайти в Інтернеті за адресою: [www.stanleytools.com](http://www.stanleytools.com)

**STANLEY**

## Гарантійні умови

## Шановний покупець!

1. Вітаємо Вас з покупкою високоякісного виробу STANLEY і висловлюємо вдячність за Ваш вибір.
2. При покупці виробу вимагайте перевірки його комплектності і справності у Вашій присутності, інструкцію з експлуатації та заповнений гарантійний талон українською мовою

В гарантійному талоні повинні бути внесені: модель, дата продажу, серійний номер, дата виробництва інструменту; назва, печатка і підпис торгової організації. За відсутності у Вас правильно заповненого гарантійного талону, а також при невідповідності зазначених у ньому даних ми будемо змушені відхилити Ваші претензії щодо якості даного виробу.

3. Щоб уникнути непорозумінь, переконливо просимо Вас перед початком роботи з виробом уважно ознайомитися з інструкцією з його експлуатації. Правовою основою справжніх гарантійних умов є чинне Законодавство. Гарантійний термін на даний виріб складає 24 місяці і обчислюється з дня продажу. У разі усунення недоліків виробу, гарантійний строк продовжується на період його перебування в ремонті. Термін служби виробу становить 5 років з дня продажу.
4. У разі виникнення будь-яких проблем у процесі експлуатації виробу рекомендуємо Вам звертатися тільки в уповноважені сервісні центри STANLEY, адреси та телефони яких Ви зможете знайти в гарантійному талоні, на сайті [www.2helpU.com](http://www.2helpU.com) або дізнатися в магазині. Наші сервісні станції - це не тільки кваліфікований ремонт, але і широкий асортимент запчастин і аксесуарів.
5. Виробник рекомендує проводити періодичну перевірку і технічне обслуговування виробу в уповноважених сервісних центрах.
6. Наші гарантійні зобов'язання поширюються тільки на несправності, виявлені протягом гарантійного терміну і викликані дефектами виробництва та / або матеріалів.
7. Гарантійні умови не поширюються на несправності виробу, що виникли в результаті:
  - 7.1 Недотримання користувачем приписів інструкції з експлуатації виробу, застосування виробу не за призначенням, неправильного зберігання, використання приладдя, витратних матеріалів і запчастин, що не передбачені виробником.
  - 7.2 Механічного пошкодження (відколи, тріщини і руйнування) внутрішніх і зовнішніх деталей виробу, основних і допоміжних рукояток, мережевого кабелю, що викликані зовнішнім ударним або будь-яким іншим впливом

- 7.3 Потрапляння у вентиляційні отвори та проникнення всередину виробу сторонніх предметів, матеріалів або речовин, що не є відходами, які супроводжують застосування виробу за призначенням, такими як: стружка, тирса, пісок, та ін.
- 7.4 Впливу на виріб несприятливих атмосферних і інших зовнішніх факторів, таких як дощ, сніг, підвищена вологість, нагрівання, агресивні середовища, невідповідність параметрів електромережі, що зазначені на інструменті.
- 7.5 Стихійного лиха. Пошкодження або втрати виробу, що пов'язані з непередбаченими лихами, стихійними явищами, у тому числі внаслідок дії непереборної сили (пожежа, блискавка, потоп і інші природні явища), а також внаслідок перепадів напруги в електромережі та іншими причинами, які знаходяться поза контролем виробника.
8. Гарантійні умови не поширюються:
  - 8.1. На інструменти, що піддавались розкриттю, ремонту або модифікації поза уповноваженим сервісним центром.
  - 8.2. На деталі, вузли та матеріали, що мають сліди природного зносу, такі як: приводні ремені і колеса, вугільні щітки, мастило, підшипники, зубчасті зчеплення редукторів, гумові ущільнення, сальники, направляючі ролики, муфти, вимкачі, бойки, штовхачі, стволи тощо.
  - 8.3. На змінні частини: патрони, цанги, затискні гайки і фланці, фільтри, акумуляторні батареї, ножі, шліфувальні підшви, ланцюги, зірочки, пильні шини, захисні кожухи, пилки, абразиви, пильні і абразивні диски, фрези, свердла, бури тощо
  - 8.4. На несправності, що виникли в результаті перевантаження інструменту (як механічного, так і електричного), що спричинили вихід з ладу одночасно двох і більше деталей і вузлів, таких як: ротора і статора, обох обмоток статора, веденої і ведучої шестерень редуктора або інших вузлів і деталей. До безумовних ознак перевантаження виробу відносяться, крім інших: поява кольорів мінливості, деформація або опалення деталей і вузлів виробу, потемніння або обвуглювання ізоляції проводів електродвигуна під впливом високої температури.



Виробник:  
"Stanley Black & Decker Deutschland  
GmbH" Black-&-Decker Str.40, D-65510  
Idstein, Німеччина



## Names & Addresses for STANLEY Service Concessionaries - MIDDLE EAST & AFRICA

**ALGERIA:** Sarl Outillage Corporation, 08 Rue Med Boudiaf - Cheraga - Algiers, Algeria. Tel: (213-21) 375130, Fax: (213-21) 369667. **ANGOLA:** Angoferraria, Lda., Rua Robert Shields, No. 61, Luanda, Angola. Tel: 00244-222-395837 / 222-395034, Fax: 00244-222-394790. **AZERBAIJAN:** Royalton Holdings Ltd. 41 Khagani St. Apt. 47 AZ 1001, Baku. Tel: (994-12) 4935544, Fax: (994-12) 5980378. **BAHRAIN:** Kavalani & Sons W.L.L., P.O. Box 71, Sitra, Manama, Tel: (973) 17732888, Fax: (973) 17737379. Alfouz Services Co. W.L.L., P.O. Box 26562, Tubli, Manama. Tel: (973) 17783562, Fax: (973) 17783479. **EGYPT:** El Farab S.A.E., 15-Nabil El Wakkad Street, Dokki, Giza, Egypt. Tel: 00202-37603946 / 002-010-2582544, Fax: 00202-33352796. **ETHIOPIA:** Seif Tewfik Sherif, Arada Sub-City, Kebele 01/02, Global Insurance Building, 2nd Floor, Room 43, P.O. Box 2525, Addis Ababa, Ethiopia. Tel: (251-11) 1563968/ 1563969, Fax: (251-11) 1558009. **IRAQ:** Financial Links, Kazzaz Building Ararat Al-Hindia Block No: 629 Street: 31/Bldg No: 1 Baghdad - Iraq. Tel: 00964 (0)780 195 2223/ 00964 (0)781 3763044. Al Sard Co. for General Trading Ltd. Jbara Bldg. 3/Fir, Al Rasheed St. Baghdad. Tel: (964) 18184102. Sakhar Group, Arrasat al-hindya Al Masbah, Baghdad. (964) 7400144446. **JORDAN:** Palestine T.M. (Bashiti Hardware), 93 King Abdullah 2nd Street. Opp. ELBA House, P.O. Box 3005, Amman 11953, Tel: (962-6) 5349098, Fax: (962-6) 5330731. **KENYA:** Dextron Tools Ltd., P.O. Box 20121-00200, Shariff House, Kimathi Street, Nairobi. Tel: (254-20) 6950000/ 2358021, Fax: (254-20) 6905111/ 6905112. **KUWAIT:** Al Omar Technical Co., P.O. Box 4062, 13041 Safat, Kuwait. Tel: (965) 24848595/ 24840039, Fax: (965) 24845652. Fawaz Al Zayani Establishment, P.O. Box 42426, Shop No. 18, Al Humaizi Commercial Complex, Khalifa Al Jassim, Shuwaikh, Kuwait. Tel: (965) 24828710, Fax: (965) 24828716. Fawaz Al Zayani Establishment, P.O. Box 42426, Shop No.18, Al Humaizi Commercial Complex, Khalifa Al Jassim, Shuwaikh, Kuwait. Tel: (965) 24828710, Fax: (965) 24828716. Fawaz Al Zayani Establishment, Fahaeel Industrial Area, Main St., Sanaya, Kuwait. Tel: (965) 23925830, Fax: (965) 24828716. **LEBANON:** Est. Shaya & Azar S.A.R.L., Boulevard Jdeideh - Mar Takla - Bouchrieh .P.O. Box 90545 Jdeideh.Beirut - Lebanon. Tel: 00961 1 872305 / 306, Fax: 00961 1 872303. **LIBYA:** North Africa Trading ( El Ghoul Brothers), AlHilal Service Center Tawergha St. Misurata, Tel: 00218-091-3221408. **(Benghazi)** Sniydal st., Amr Ibn EL-Aas Rd. Tel: (+218) 92 5771120. **(Tripoli)** Al Barniq Service Center, Mokhazin elskar st., ElFallah. Tel: (+218) 21 4808019. **(Misrata)** Al Hilal Service Center, Tawergha st. Tel: (+218) 51 2626743. **MAURITIUS:** Robert Le Marie Limited, Old Moka Road, Bell Village, P.O. Box 161, Port Louis, Tel: 00230-212 1865/ 212 2847, Fax: 00230-2080843. **MOROCCO:** Ets Louis Guillaud & Cie, 149, Quartier Industriel, Moulay Rachid, Casablanca, Postal Code 20450, Morocco. Tel: 00212-522729233, Fax: 00212-522729096. **NIGERIA:** Meridian Power Tools Ltd., Gr.Floor, #1 Alhaji Masha Rd, Next to Teslim Balogun Stadium, Near National Stadium Surulere, Lagos, Nigeria. Tel: 00234-1-774031 / 774041, Fax: 00234-1-7913798. **OMAN:** Al Jizzi Company LLC, P.O. Box 1704,PC 112 Ruwi, Oman. Tel: (968) 24832618/ 24835153, Fax: (968) 24831334/24836460. Al Hassan Technical & Construction Supplies Co. LLC, P.O. Box 1948, P.C. 112, Ruwi, Tel: (968) 24810575 / 24837054, Fax: (968) 24810287/ 24833080. Oman Hardware Co. LLC, P.O. Box 635, Ruwi Postal Code 112, Tel: (968) 24815131, Fax: (968) 24816491. Khimji Ramdas, P.O. Box 19, Post Code 100, Ghala, Muscat, Oman. Tel: (968) 24595906/ 907, Fax: (968) 24852752. Oman Marketing & Service Co. (Omasco), P.O. Box 2734, Behind Honda Showroom, Wattayah, Oman. Tel: (968) 24560232/ 24560255, Fax: (968) 24560993. Oman Marketing & Service Co. (Omasco), Al Ohi, Sohar, Oman. Tel: (968) 26846379, Fax: (968) 26846379. Oman Marketing & Service Co. (Omasco), Sanaya, Salalah, Oman. Tel: (968) 23212290, Fax: (968) 23210936. **PAKISTAN:** ZIT Co - Nasir & Bros., 2nd Floor, Qadri Center, Chok Dalgran Railway Road, Lahore, Pakistan. Tel: 0092 42 37670839, Fax: 0092 42 37652989. Ammar Service & Spares, 60-Bank Arcade, Serai Road, Karachi, Pakistan. Tel: (92-21) 32426905, Fax: (92-21) 32427214. **QATAR:** Teysseer Industrial Supplies & Services Co. W.L.L, 55, Al Wakalat St. (Between St. 18 & 19) Salwa Industrial Area, P.O. Box 40523 Doha,Qatar. Tel: (974) 44581536, Fax: (974) 44682024. Shaheen Electrical Works & Trading Co. W.L.L, Gate 34, St. 44 Industrial Area P.O. Box 9756, Doha. Tel: (974) 44600230 /44600525, Fax: (974) 44601338. Al Muftah Service Centre, Al Wakrah Road, P.O. Box 875, Doha,Qatar. Tel: (974) 44650880/ 44650110/ 44446868, Fax: (974) 44441415 / 44662599. **SAUDI ARABIA: (Al Bahr)** Mohamed Ahmed Bin Afif Est., P.O. Box 530, Yanbu, Al Bahr. Tel: (966-4) 3222626/ 3228867, Fax: (966-4) 3222210. **(Al Khobar)** Fawaz Ebrahim Al Zayani Trading Est., P.O. Box 76026, Al Khobar # 31952, Tel: (966-3) 8140914, Fax: (966-3) 8140824. MSS (Al-Mojil Supply & Services) P.O. Box 450, Jubail 31951, Opp. Gulf Bridge Library & Riyadh House. Tel: (966-3) 3612850/ 3624487/ 3621729, Fax: (966-3) 3623589/ 3620783. **(Dammam)** MSS (Al-Mojil Supply & Services), P.O. Box 450, Jubail 31951.Opp-Gulf Bridge Library & Riyadh House. Tel: (966-3) 3612850 / 3624487 / 3621729, Fax: (966-3) 3623589 / 3620783. **(Al Bawardi Tools & Hardware,** P.O. Box 112, Dammam, Tel: (966-3) 8330780 Ext.24 / 8348585 Ext. 24 / +966-3-8335555, Fax: (966-3) 8336303. **(Al Hassa)** Mutawa Trading & Gen. Services, Maliki road Hafuf city, Al Hassa, KSA. Tel: (966-6) 502846275 **(Jeddah)** Al Bawardi Tools & Hardware, P.O. Box 16905, Jeddah 21474, Tel: (966-2) 6444547 / 6439035 / 6456095, Fax: (966-2) 6439024. EAC (Al Yousef Contg. & Trdg. Est.), P.O. Box 30377, Jeddah -21477, Tel: (966-2) 6519912, Fax: (966-2) 6511153. **(Madina)** Garziz Trading for Bldg Mat & Decoration, P.O. Box 3364, Madina. Tel: (966-4) 826 14 90 / 8227636, Fax: (966-4) 8265741. **(Riyadh)** Industrial Material Organization (IMO), P.O. Box 623, Rld Street ,Riyadh, Tel: (966-1) 4028010 Ext 26 / 8001245757, Fax: (966-1) 4037970. Sultan Garment Factory (RSC), P.O. Box 29912, Riyadh 11467, KSA, Tel: (966-1) 4055148 / 4042889, Fax: (966-1) 4055148. Al Bawardi Tools & Hardware, P.O. Box 68, Riyadh 11411, Tel: (966-1) 4484999, Fax: (966-1) 4487877. **(Yanbu)** Fawaz Ebrahim Al Zayani, Opposite to Al Fouzan, Jeddah highway or King Abdul Aziz road, Yanbu. Tel: (966-4) 3960980, Fax: (966-4) 3961980. Mohamed Ahmed Bin Afif Est., P.O. Box 530, Yanbu, Al Bahr, Tel: (966-4) 3222626/ 3228867, Fax: (966-4) 3222210. **SOUTH AFRICA:** Stanley Black & Decker - RSA, 199 Winze Drive Stormill Ext 9 Rooodepoort. Tel: (2711) 472 0454, Fax: (2711) 472 0482. Trevco Power Tool Service 14 Steenbok Street, Koedoespoort, 0186, Pretoria, South Africa. Tel: (27-86) 1873826, Fax: (27-86) 5001771. **TANZANIA:** General Motors investment Ltd., P.O. Box 16541, 14 Nyerere Road, Vingunguti, Dar-es-Salaam. Tel: (255 22) 2862661/ 2865022, Fax: (255 22) 2862667. **TUNISIA:** Societe Tunisienne De Maintenance (STM), Rue de la Physique. Nouvelle Zone Industrielle Ben Arous, 2013 Ben Arous, Tunisia. Tel: (+216) 79 389687, Fax: (+216) 71 385154. **UAE: (Abu Dhabi)** Light House Electrical, P.O. Box 120, Abu Dhabi. Tel: (971-2) 6726131, Fax: (971-2) 6720667. Galaxy Equipment Trading, Madinat Zayed (Baada Zaid), Abu Dhabi P.C. 58910, Tel: (971-2) 8844279, Fax: (971-2) 8844297 **(Ajman)** Al Sukoon Gen. Trdg. Co. LLC, P.O. Box 2975, Ajman. Tel: (971-6) 7435725/ 7438317, Fax: (971-6) 7437350. Al Sukoon Gen. Trdg. Co. LLC, P.O. Box 2975, Ajman, Tel: (971-6) 7435725 / 7438317, Fax: (971-6) 7437350 **(Al Ain)** Zillion Equipment and Spare Parts Trading LLC, P.O. Box 19740, Opp. Bin Sadal/ Trimix Redymix Sanaiya, Al Ain. Tel: (971-3) 7216690, Fax: (971-3) 7216103. **(Dubai)** Black & Decker (Overseas) GmbH, P.O. Box 5420, Dubai. Tel: (971-4) 8127400/ 8127406, Fax: (971-4)8282765. Ideal Star Workshop Expt.Trading LLC, P.O. Box 37116, Al Quoz, Dubai. Tel: (971-4) 3474160, Fax: (971-4) 3474157, Fine Tools, P.O.Box 30139, Al Quoz, Dubai. Tel: (971-4) 3385240, Fax: (971-4) 3385239, Albreah Engineering Service, P.O. Box 78954, Al Qusais, Dubai. Tel: (971-4) 2850044, Fax: (971-4) 2848402. **(Musafah)** Light House Electrical, P.O. Box 120, Abu Dhabi. Tel: (971-2) 5548315, Fax: (971-2) 5540461. **(Sharjah)** Mc Coy Middle East LLC, P.O. Box 25793, Sharjah. Tel: (971-6) 5395931, Fax: (971-6) 5395932. Burj Al Madeena, Industrial Area No.1, Opp. Pakistani Masjid, P.O. Box 37635, Sharjah. Tel: (971-6) 5337747, Fax: (971-6) 5337719. Burj Al Madeena, , Industrial Area No 1,opp Pakistani Masjid P.O. Box 37635, Sharjah. Tel: (971-6) 5337747, Fax: (971-6) 5337719. **(Ras Al Khaimah)** Mc Coy Middle East LLC, P.O. Box 10584, Ras Al Khaimah, Tel: (971-7) 2277095, Fax: (971-7) 2277096. **UGANDA:** The Building Center (U) Ltd., 52 Station Road, Kitgum House, P.O. Box 7436, Kampala, Uganda. Tel: (256-41) 4234567/ 4259754, Fax: (256-41) 4236413. **YEMEN: (Aden)** Middle East Trad. Co. Ltd. (METCO), Mualla Dakka, Aden, Yemen. Tel: (967-2) 222670, Fax: (967-2) 222670. **(Sana'a)** Middle East Trad. Co. Ltd. (METCO), Hayel St., Sana'a, Yemen. Tel: (967-1) 204201, Fax: (967-1) 204204. **(Taiz)** Middle East Trading Co. (METCO), P.O. Box 12363, 5th Flr, Hayel Sa'ed Anam Bldg, Al-Mugamma St. Taiz, Yemen. Tel: (967-4) 213455, Fax: (967-4) 219869.