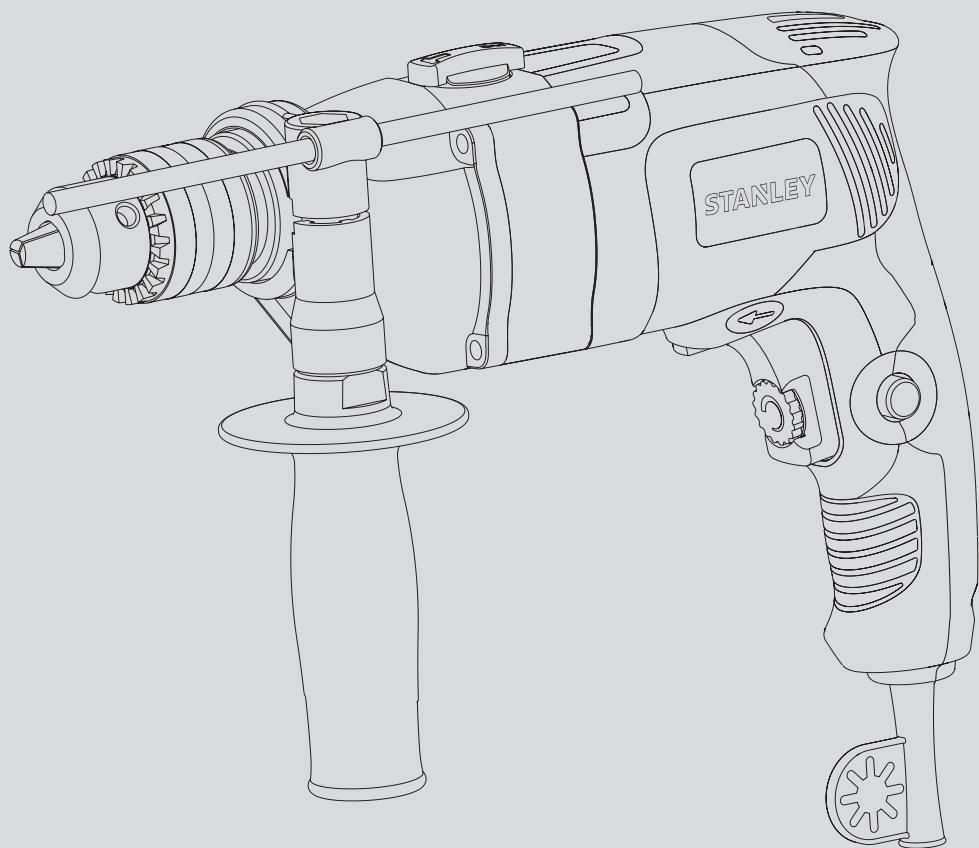
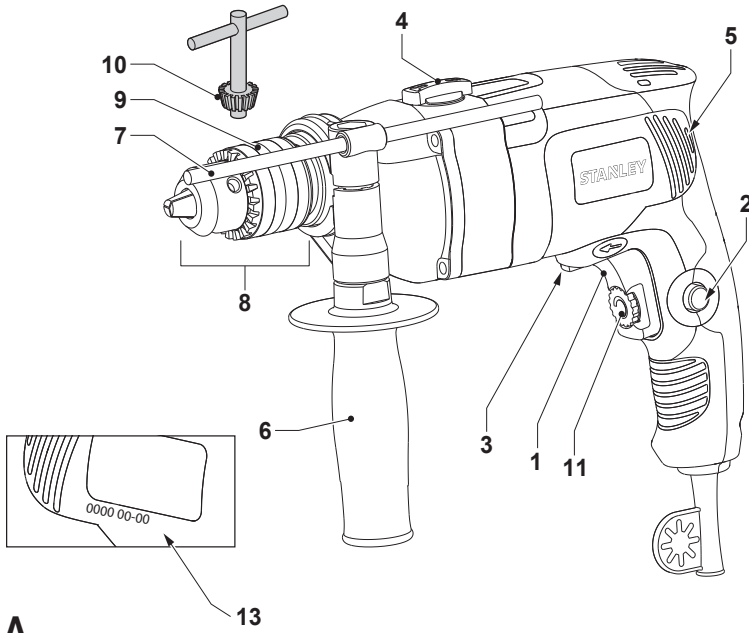


STANLEY

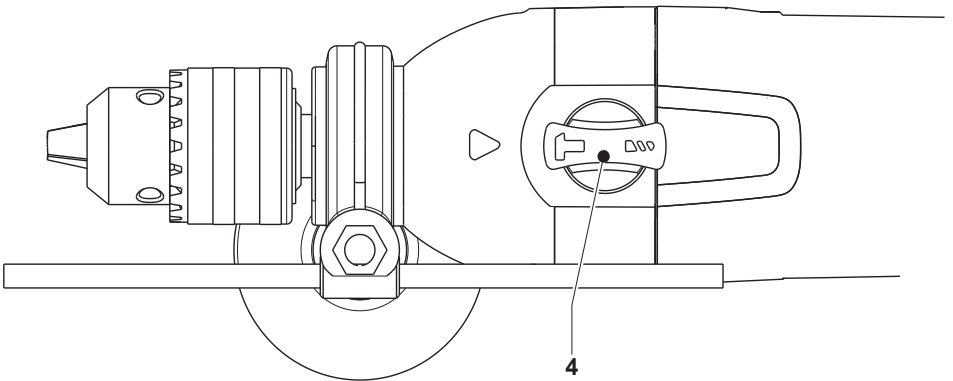


STDH8013

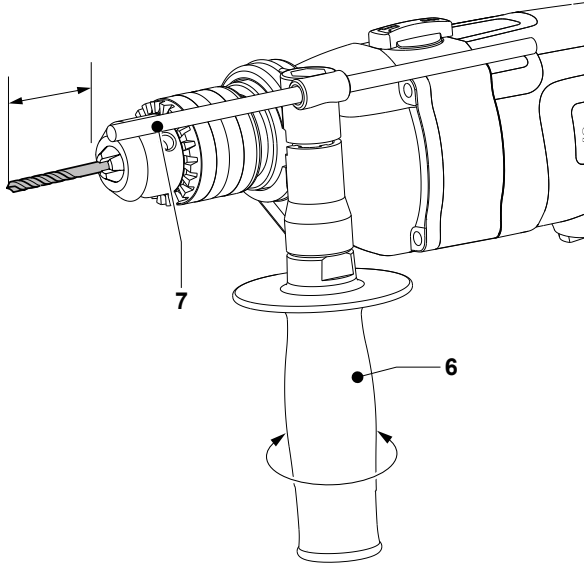
English	Page 4
French	Page 13
Portuguese	Page 22
Russian	Page 31
Ukrainian	Page 42
Arabic	Page 56



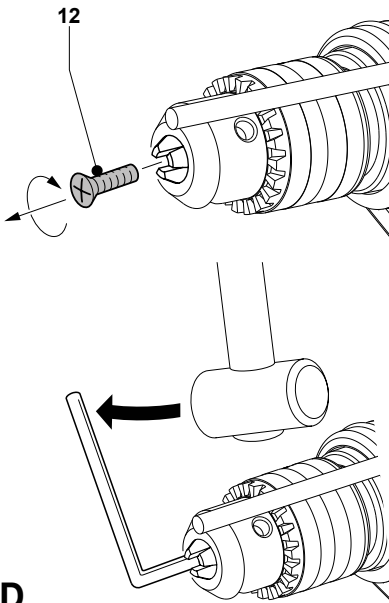
A



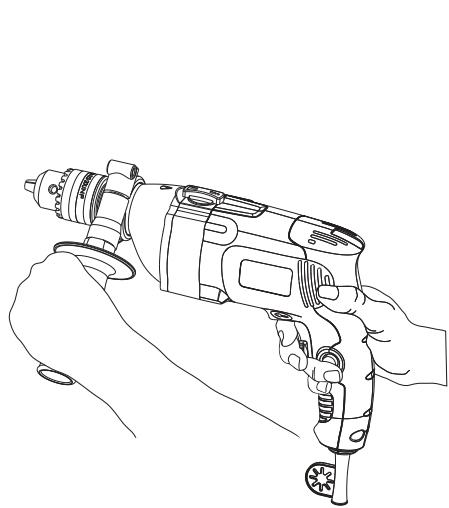
B



C



D



E

Technical data

Impact Drill		STDH8013
Voltage	V	230
Frequency	Hz	50
Power input	W	800
No-load speed	/min	0-3000
Impact rate	IPM	0-54000
Reverse/Forward rotation		Yes
Chuck capacity	mm	1.5-13
Max capacity		
Concrete	mm	16
Metal	mm	13
Wood	mm	32
Weight	kg	2.5

Intended use

Your STANLEY impact drill has been designed for drilling in wood, metal and concrete. This tool is intended for consumer use only.

General Power tool Safety Warnings



Warning! Read all safety warnings and all instructions. Failure to follow the warnings and instructions may result in electric shock, fire and/or serious injury.

Save all warnings and instructions for future reference.

The term "power tool" in all of the warnings listed below refers to your mains operated (corded) power tool or battery operated (cordless) power tool.

1. Work area safety

- Keep work area clean and well lit.** Cluttered or dark areas invite accidents.
- Do not operate power tools in explosive atmospheres, such as in the presence of flammable liquids, gases or dust.** Power tools create sparks which may ignite the dust or fumes.
- Keep children and bystanders away while operating a power tool.** Distractions can cause you to lose control.

2. Electrical safety

- Power tool plugs must match the outlet. Never modify the plug in any way. Do not use any adapter plugs with earthed (grounded) power tools.** Unmodified plugs and matching outlets will reduce risk of electric shock.
- Avoid body contact with earthed or grounded surfaces, such as pipes, radiators, ranges and refrigerators.** There is an increased risk of electric shock if your body is earthed or grounded.
- Do not expose power tools to rain or wet conditions.** Water entering a power tool will increase the risk of electric shock.
- Do not abuse the cord. Never use the cord for carrying, pulling or unplugging the power tool. Keep cord away from heat, oil, sharp edges or moving parts.** Damaged or entangled cords increase the risk of electric shock.
- When operating a power tool outdoors, use an extension cord suitable for outdoor use.** Use of a cord suitable for outdoor use reduces the risk of electric shock.
- If operating a power tool in a damp location is unavoidable, use a residual current device (RCD) protected supply.** Use of an RCD reduces the risk of electric shock.

3. Personal safety

- Stay alert, watch what you are doing and use common sense when operating a power tool. Do not use a power tool while you are tired or under the influence of drugs, alcohol or medication.** A moment of inattention while operating power tools may result in serious personal injury.
- Use personal protective equipment. Always wear eye protection.** Protective equipment such as dust mask, non-skid safety shoes, hard hat, or hearing protection used for appropriate conditions will reduce personal injuries.
- Prevent unintentional starting. Ensure the switch is in the off-position before connecting to power source and/or battery pack, picking up or carrying the tool.** Carrying power tools with your finger on the switch or energising power tools that have the switch on invites accidents.
- Remove any adjusting key or wrench before turning the power tool on.** A wrench or a key left attached to a rotating part of the power tool may result in personal injury.

- e. **Do not overreach. Keep proper footing and balance at all times.** This enables better control of the power tool in unexpected situations.
 - f. **Dress properly. Do not wear loose clothing or jewellery. Keep your hair, clothing and gloves away from moving parts.** Loose clothes, jewellery or long hair can be caught in moving parts.
 - g. **If devices are provided for the connection of dust extraction and collection facilities, ensure these are connected and properly used.** Use of dust collection can reduce dust-related hazards.
- #### 4. Power tool use and care
- a. **Do not force the power tool. Use the correct power tool for your application.** The correct power tool will do the job better and safer at the rate for which it was designed.
 - b. **Do not use the power tool if the switch does not turn it on and off.** Any power tool that cannot be controlled with the switch is dangerous and must be repaired.
 - c. **Disconnect the plug from the power source and/or the battery pack from the power tool before making any adjustments, changing accessories, or storing power tools.** Such preventive safety measures reduce the risk of starting the power tool accidentally.
 - d. **Store idle power tools out of the reach of children and do not allow persons unfamiliar with the power tool or these instructions to operate the power tool.** Power tools are dangerous in the hands of untrained users.
 - e. **Maintain power tools. Check for misalignment or binding of moving parts, breakage of parts and any other condition that may affect the power tool's operation. If damaged, have the power tool repaired before use.** Many accidents are caused by poorly maintained power tools.
 - f. **Keep cutting tools sharp and clean.** Properly maintained cutting tools with sharp cutting edges are less likely to bind and are easier to control.
 - g. **Use the power tool, accessories and tool bits etc. in accordance with these instructions, taking into account the working conditions and the work to be performed.** Use of the power tool for operations different from those intended could result in a hazardous situation.

5. Service

- a. **Have your power tool serviced by a qualified repair person using only identical replacement parts.** This will ensure that the safety of the power tool is maintained.

Additional Power Tool Safety Warnings



Warning! Additional safety warnings for drills and impact drills

Drill Safety Warnings

- **Wear ear protectors when impact drilling.** Exposure to noise can cause hearing loss.
- **Use auxiliary handle(s), if supplied with the tool.** Loss of control can cause personal injury.
- **Hold power tool by insulated gripping surfaces, when performing an operation where the cutting accessory may contact hidden wiring or its own cord.** Cutting accessory contacting a "live" wire may make exposed metal parts of the power tool "live" and could give the operator an electric shock.
- Use clamps or another practical way to secure and support the workpiece to a stable platform. Holding the work by hand or against your body leaves it unstable and may lead to loss of control.
- Before drilling into walls, floors or ceilings, check for the location of wiring and pipes.
- Avoid touching the tip of a drill bit just after drilling, as it may be hot.
- This tool is not intended for use by persons (including children) with reduced physical, sensory or mental capabilities, or lack of experience and knowledge, unless they have been given supervision or instruction concerning use of the appliance by a person responsible for their safety. Children should be supervised to ensure that they do not play with the appliance.
- The intended use is described in this instruction manual. The use of any accessory or attachment or performance of any operation with this tool other than those recommended in this instruction manual may present a risk of personal injury and/or damage to property.

Safety of others

- This appliance is not intended for use by persons (including children) with reduced physical, sensory or mental capabilities, or lack of experience and knowledge, unless they have been given supervision or instruction concerning use of the appliance by a person responsible for their safety.
- Children should be supervised to ensure that they do not play with the appliance.

Residual risks

Additional residual risks may arise when using the tool which may not be included in the enclosed safety warnings. These risks can arise from misuse, prolonged use etc. Even with the application of the relevant safety regulations and the implementation of safety devices, certain residual risks can not be avoided. These include:

- Injuries caused by touching any rotating/moving parts.
- Injuries caused when changing any parts, blades or accessories.
- Injuries caused by prolonged use of a tool. When using any tool for prolonged periods ensure you take regular breaks.
- Impairment of hearing.
- Health hazards caused by breathing dust developed when using your tool (example:- working with wood, especially oak, beech and MDF.)

6. Labels on tool

The label on your tool may include the following symbols:

	Read Instructions Manual	Hz Hertz		Class II Construction
	Use Eye Protection	W Watts		Earthing Terminal
	Use Ear Protection	min minutes		Safety Alert Symbol
V Volts				Revolutions or Reciprocation per minute
A Amperes			.../min..	
		n ₀ No-Load Speed		

Position of date barcode

The Date Code, which also includes the year of manufacture, is printed into the housing.

Example:

2014 XX JN
Year of manufacturing

Electrical safety

Double insulation measures are taken in this power tool, so no grounding is needed. Please check whether the voltage of power supplied is consistent with the voltage on the nameplate or not.

- If the wire is damaged, it should be replaced by the manufacturer or a service center authorized by STANLEY, to avoid danger.

Using an extension cable

- If an extension cable is required, use an approved extension cable suitable for the power input of this tool (see technical data). The minimum conductor size is 1.5 mm².

When using a cable reel, always unwind the cable completely.

Also refer to the table below.

Conductor size (mm ²)		Cable rating (Amperes)					
0.75		6					
1.00		10					
1.50		15					
2.50		20					
4.00		25					
		Cable length (m)					
		7.5 15 25 30 45 60					
Voltage	Amperes	Cable rating (Amperes)					
115	0 - 2.0	6	6	6	6	6	10
	2.1 - 3.4	6	6	6	6	15	15
	3.5 - 5.0	6	6	10	15	20	20
	5.1 - 7.0	10	10	15	20	20	25
	7.1 - 12.0	15	15	20	25	25	-
	12.1 - 20.0	20	20	25	-	-	-
230	0 - 2.0	6	6	6	6	6	6
	2.1 - 3.4	6	6	6	6	6	6
	3.5 - 5.0	6	6	6	6	10	15
	5.1 - 7.0	10	10	10	10	15	15
	7.1 - 12.0	15	15	15	15	20	20
	12.1 - 20.0	20	20	20	20	25	-

- Check for damage to the tool, parts or accessories which may have occurred during transport.
- Take the time to thoroughly read and understand this manual prior to operation.

Description (fig. A)

1. Variable speed switch
2. Lock-on button
3. Forward/reverse slider
4. Mode selector
5. Ventilation slots
6. Side handle
7. Depth adjustment rod
8. Keyed chuck
9. Sleeve
10. Chuck key
11. Speed dial

Assembly

Warning! Before assembly, please ensure that the power tool is powered off and the power plug of the tool is unplugged from the power source.

Selecting the operating mode (fig. B) The tool can be used in two operating modes:

Rotary drilling:
for steel, wood and plastics.

Impact drilling:
simultaneous rotating and impacting for concrete and masonry drilling operations.

- Select the required operating mode by rotating the mode selector (4) to the required position.

Inserting and removing a bit (fig. A)

Keyed chuck

- Open the chuck by turning the sleeve (9) counterclockwise and insert the bit shank.
- Put the chuck key (10) into each hole in the side of the chuck and turn clockwise until tight.
- To remove the bit, proceed in reverse order.

Fitting the side handle (fig. A)

The side handle (6) can be fitted to suit both RH- and LH-users.



Always use the drill with the side handle properly assembled.

- Loosen the side handle.
- For RH-users, slide the side handle clamp over the collar behind the chuck, handle at the left.
- For LH-users, slide the side handle clamp over the collar behind the chuck, handle at the right.
- Rotate the side handle to the desired position and tighten the handle.

Setting the drilling depth (fig. C)

- Insert the required drill bit into the chuck.
- Slacken the side handle (6).
- Fit the depth adjustment rod (7) through the hole in the side handle clamp.
- Adjust the drilling depth as shown.
- Tighten the side handle.

Forward/reverse slider (fig. A)

- To select forward or reverse rotation, use the forward/reverse-switch (3) (see arrow on tool).



Always wait until the motor has come to a complete standstill before changing the direction of rotation.

Chuck removal (fig. D)

- Open the chuck jaws as far as possible
- Insert a screwdriver into the chuck and remove the chuck retaining screw (12) by turning clockwise.
- Tighten an Allen key into the chuck and strike it with a hammer as shown.

Instructions for use

- Always observe the safety instructions and applicable regulations.
- Be aware of the location of pipework and wiring.
- Apply only a gentle pressure to the tool. Excessive force does not speed up drilling but decreases tool performance and may shorten tool life.

- Wear ear protectors with impact drills. Exposure to noise can cause hearing loss.
- Use auxiliary handles supplied with the tool. Loss of control can cause personal injury.
- Hold power tool by insulated gripping surfaces, when performing an operation where the cutting accessory may contact hidden wiring or its own cord. Cutting accessory contacting a "live" wire may make exposed metal parts of the power tool "live" and shock the operator.
- If operating a power tool in a damp location is unavoidable, use a residual current device (RCD) protected supply. Use of an RCD reduces the risk of electric shock.

Prior to operation

- Insert the appropriate bit.
- Mark the spot where the hole is to be drilled.

Proper Hand Position (fig. A, E)



Warning: To reduce the risk of serious personal injury, ALWAYS use proper hand position as shown.



Warning: To reduce the risk of serious personal injury, ALWAYS hold securely in anticipation of a sudden reaction.

Proper hand position requires one hand on the side handle (6), with the other hand on the main handle.

Switching on and off

- To switch the tool on, press the variable speed switch (1). The tool speed depends on how far you press the switch.
- For continuous operation, press the lock-on button (2) and release the variable speed switch. This option is available only at full speed.
- To switch the tool off, release the variable speed switch. To switch the tool off when in continuous operation, press the variable speed switch once more and release it.
- Based on the different applications, turn around the speed dial (11) to control the maximum speed.

Drilling in metal

Start drilling with slow speed and increase to full power while applying firm pressure on the tool. A smooth even flow of metal chips indicates the proper drilling rate. Use a cutting lubricant when drilling metals. The exceptions are cast iron and brass which should be drilled dry.

Note: Large [5/16" (8 mm) to 1/2" (13 mm)] holes in steel can be made easier if a pilot hole [5/32" (4 mm) to 3/16" (5 mm)] is drilled first.

Drilling in wood

Start drilling with slow speed and increase to full power while applying firm pressure on the tool. Holes in wood can be made with the same twist drills used for metal. These bits may overheat unless pulled out frequently to clear chips from the flutes. Work that is apt to splinter should be backed up with a block of wood.

Drilling in masonry

When drilling in masonry, use carbide-tipped bits rated for Impact drilling and be certain that the bits are sharp. Use a constant and firm force on the tool to drill most effectively. A smooth, even flow of dust indicates the proper drilling rate.

Screwdriving

- Select forward or reverse rotation.

Impact drilling (fig. A)

- Select the Impact mode.
- Press the switch (1).

Rotary drilling (fig. A)

- Select the rotary drilling mode.
- Proceed as described for Impact drilling.

Consult your dealer for further information on the appropriate accessories.

Accessories

The performance of an electric tool depends on its accessories. STANLEY accessories are designed according to high quality standards, to enhance the performance of electric tool. The use of these accessories can help you conveniently operate the tool.

Maintenance

The STANLEY cord / cordless appliance / tools are of sophisticated design, can be used for a long time, and only little maintenance is needed. To obtain consistent satisfactory use, proper maintenance and regular cleaning of the tools are necessary.

Warning! Before performing any maintenance work on the cord / cordless electric tools, the following points must be implemented:

- Switch off the power of the equipment / tools and pull off the plug;

- If the equipment / tools are equipped with independent battery pack, please turn off the power and remove the battery pack from the equipment / tools.
- If the equipment / tools are equipped with an integrated battery, please run out the battery, before turning off its power.
- Before the cleaning, unplug the charger plug from the power source. In addition, except the regular cleaning on your charger, no other maintenance is needed.
- Regularly use the soft brush or dry cloth to clean the ventilation slot of the equipment / tools / charger.
- Regularly use a damp cloth to clean the motor housing. Please do not use any abrasive cleaning agents or solvent-based cleansing agents.
- Regularly open the clamping chuck and tap it gently to remove any internal dust (after installation).



Cleaning



Warning! Once the visible dust build-up is found at and/or around the ventilating ports, immediately flush the dust and powder within the host shell with clean dry air. To perform this procedure, wear the approved safety equipment and dust mask.



Warning! It is strictly forbidden to clean the non-metallic parts of the tool with the solvents or other irritant chemicals. These chemicals may weaken the materials of these components. Use a cloth moistened with a mild soapy water to clean it. Do not let any substance permeate into the tool and do not immerse any part of the tool into a liquid.

Service Information

STANLEY offers a full network of company-owned and authorized service locations throughout Asia. All STANLEY Service Centers are staffed with trained personnel to provide customers with efficient and reliable power tool service. Whether you need technical advice, repair, or genuine factory replacement parts, contact the STANLEY location nearest to you.

Notes

- STANLEY's policy is one of continuous improvement to our products and, as such, we reserve the right to change product specifications without prior notice.
- Standard equipment and accessories may vary by country.
- Product specifications may differ by country.
- Complete product range may not be available in all countries. Contact your local STANLEY dealers for range availability.

Protecting the environment



Separate collection. This product must not be disposed of with normal household waste.

Should you find one day that your STANLEY product needs replacement, or if it is of no further use to you, do not dispose of it with household waste. Make this product available for separate collection.



Separate collection of used products and packaging allows materials to be recycled and used again.

Re-use of recycled materials helps prevent environmental pollution and reduces the demand for raw materials.

Local regulations may provide for separate collection of electrical products from the household, at municipal waste sites or by the retailer when you purchase a new product. STANLEY provides a facility for the collection and recycling of STANLEY products once they have reached the end of their working life. To take advantage of this service please return your product to any authorised repair agent who will collect them on our behalf.

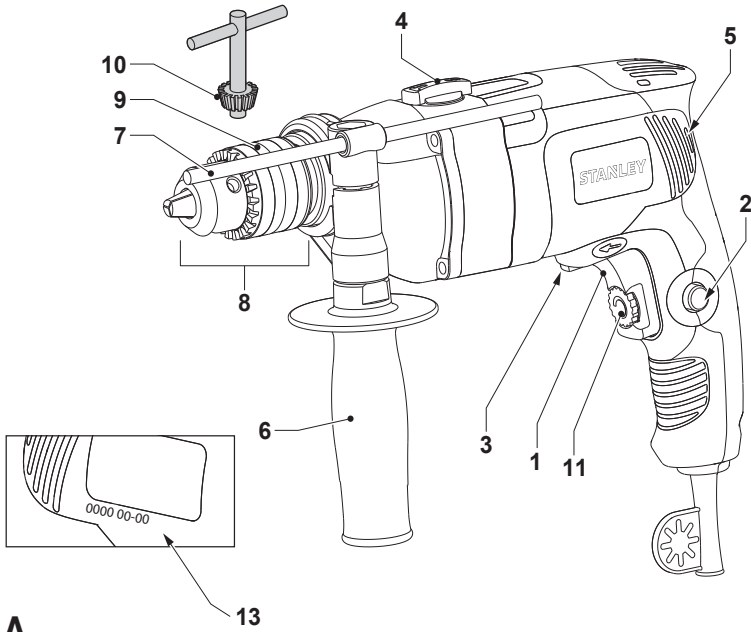
You can check the location of your nearest authorised repair agent by contacting your local STANLEY office at the address indicated in this manual. Alternatively, a list of authorised STANLEY repair agents and full details of our after-sales service and contacts are available on the Internet at: www.2helpU.com

Two years full warranty

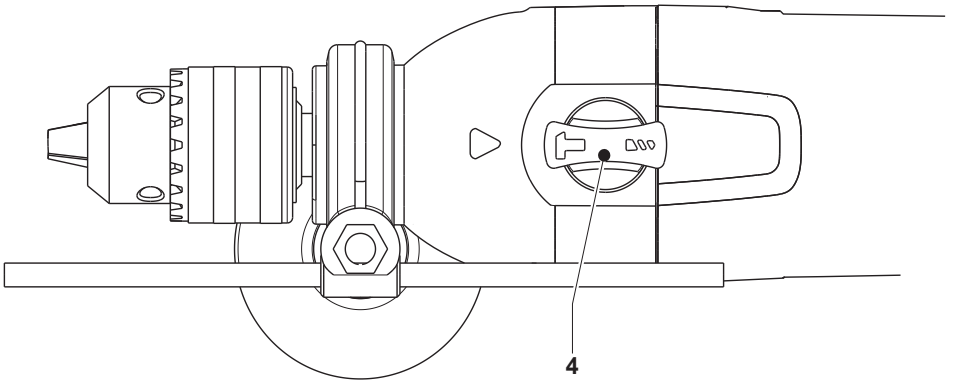
If your STANLEY product becomes defective due to faulty materials or workmanship within 24 months from the date of purchase, STANLEY Europe guarantees to replace all defective parts free of charge or – at our discretion – replace the unit free of charge provided that:

- The product has not been misused and has been used in accordance with the instruction manual.
- The product has been subject to fair wear and tear;
- Repairs have not been attempted by unauthorised persons;
- Proof of purchase is produced.
- The STANLEY product is returned complete with all original components

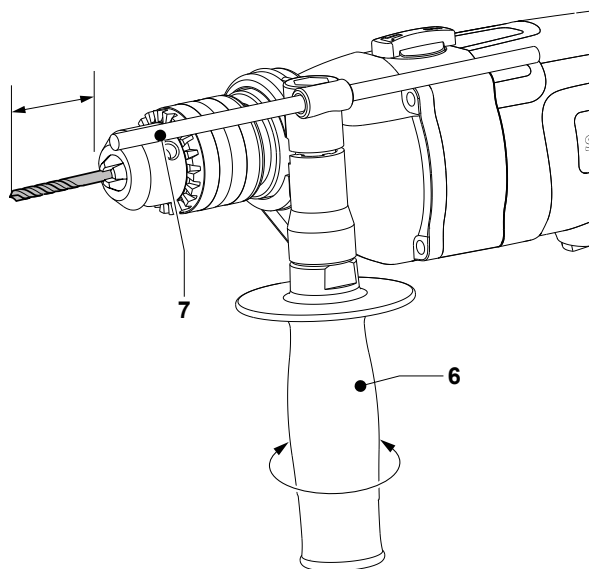
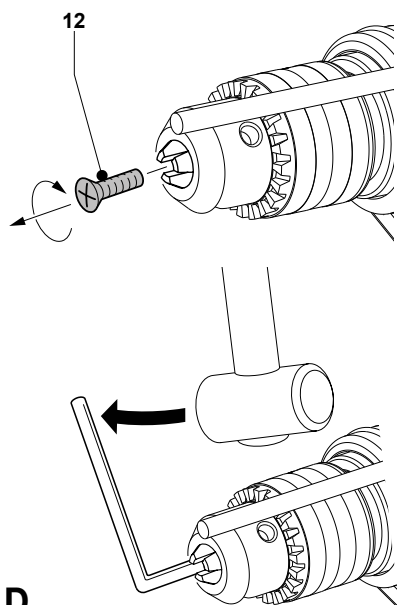
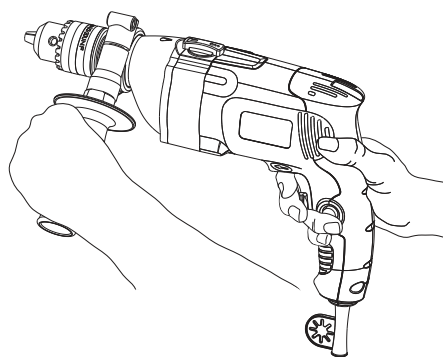
If you wish to make a claim, contact your seller or check the location of your nearest authorised STANLEY repair agent in the STANLEY catalogue or contact your local STANLEY office at the address indicated in this manual. A list of authorised STANLEY repair agents and full details of our after sales service is available on the internet at: www.stanleytools.com



A



B

**C****D****E**

Technical data

Perceuse à percussion		STDH8013
Tension	V	230
Fréquence	Hz	50
Puissance	W	800
Vitesse à vide	/min	0-3000
Fréquence d'impact	IPM	0-54000
Rotation Avant /Arrière		Oui
Capacité du mandrin	mm	1,5-13
Capacité maxi		
Béton	mm	16
Métal	mm	13
Bois	mm	32
Poids	kg	2,5

Utilisation

Votre perceuse à percussion STANLEY a été conçue pour percer le bois, le métal et le plastique. Cet outil est pour un usage personnel uniquement.

Consignes générales de sécurité concernant les outils électroportatifs



Attention! Lire avec attention tous les avertissements et toutes les instructions. Le non-respect des avertissements et des instructions indiquées ci-dessous peut entraîner un choc électrique, un incendie et/ou des blessures graves

Conservez ces consignes et ces instructions pour référence ultérieure.

La notion "d'outil électroportatif" mentionnée par la suite se rapporte à des outils électriques raccordés au secteur (avec câble) ou fonctionnant avec piles (sans fil).

1. Sécurité de la zone de travail

- Maintenir la zone de travail propre et bien éclairée.** Un lieu de travail en désordre ou mal éclairé augmente le risque d'accidents.
- Ne pas utiliser d'outils électroportatifs dans un environnement présentant des risques d'explosion ni en présence de liquides, gaz ou poussières inflammables.** Les outils électroportatifs génèrent des étincelles risquant d'enflammer les poussières ou les vapeurs.
- Pendant l'utilisation d'un outil électroportatif, les**

enfants et autres personnes présentes doivent rester éloignés. En cas d'inattention, vous risquez de perdre le contrôle de l'outil.

2. Sécurité électrique

- La fiche de l'outil électrique doit être compatible avec la prise d'alimentation, Ne modifiez la fiche en aucun cas. N'utilisez pas d'adaptateurs avec des outils ayant une prise de terre.** Le respect de ces consignes réduit le risque de choc électrique.
 - Eviter le contact physique avec des surfaces mises à la terre telles que tuyaux, radiateurs, fours et réfrigérateurs.** Le risque de choc électrique augmente si votre corps est relié à la terre.
 - Ne pas exposer les outils électroportatifs à la pluie ou à l'humidité.** La pénétration d'eau dans un outil électroportatif augmente le risque de choc électrique.
 - Ne pas maltraiter le câble d'alimentation. Ne jamais utiliser le câble pour porter l'outil, et ne le tirez pas pour débrancher l'outil. Maintenir le câble éloigné des sources de chaleur, de la graisse, des bords coupants et des pièces en rotation.** Un câble endommagé ou emmêlé augmente le risque de choc électrique.
 - Lorsque vous utilisez l'outil électroportatif à l'extérieur, utilisez une rallonge homologuée pour une utilisation à l'extérieur.** L'utilisation d'une rallonge électrique homologuée pour les travaux à l'extérieur réduit le risque de choc électrique.
 - Si l'outil doit être utilisé dans un endroit humide, utilisez un dispositif différentiel à courant résiduel (DDR).** L'utilisation d'un tel dispositif réduit le risque de choc électrique.
- ### 3. Sécurité personnelle
- Restez vigilant, surveillez ce que vous faites et faites preuve de bon sens quand vous utilisez un outil. N'utilisez pas un outil électroportatif lorsque vous êtes fatigué ou après avoir consommé de l'alcool ou pris des médicaments.** Un moment d'inattention en utilisant l'outil peut entraîner de graves blessures.
 - Portez un équipement de protection. Portez toujours des lunettes de protection. Selon le travail à effectuer, le port d'un équipement de protection tel que masque anti-poussières, chaussures de sécurité antidérapantes, casque ou protection auditive, réduit le risque de blessures.**
 - Evitez tout démarrage imprévu. L'interrupteur de l'outil doit être en position d'arrêt (off) avant d'effectuer le branchement à l'alimentation et/ou au bloc batterie, de ramasser l'outil ou de le porter.** Porter ou brancher un outil électrique dont l'interrupteur est en position Marche (on) est une invite à l'accident.
 - Retirez les outils ou les clés de réglage avant de mettre l'outil en marche.** Une clé ou un outil se trouvant sur une partie en rotation peut causer des blessures.

- e. **Adoptez une position confortable. Adoptez une position stable et gardez votre équilibre en permanence.** Vous contrôlerez mieux l'outil dans des situations inattendues.
- f. **Portez des vêtements appropriés. Ne portez pas de vêtements amples ou de bijoux. N'approchez pas les cheveux, vêtements ou gants des pièces en mouvement.** Les vêtements amples, les bijoux ou les cheveux longs peuvent s'accrocher dans les pièces en mouvement.
- g. **En cas d'utilisation d'appareils servant à aspirer ou à recueillir les poussières, assurez-vous qu'ils sont correctement raccordés et utilisés.** L'utilisation de tels dispositifs réduit les dangers dus aux poussières.
- #### 4. Utilisation des outils électroportatifs et précautions
- a. **Respectez la capacité de l'outil. Utilisez l'outil approprié pour le travail à effectuer.** Avec un outil approprié, vous travaillerez mieux et en toute sécurité.
- b. **N'utilisez pas un outil électroportatif dont l'interrupteur marche/arrêt est défectueux.** Un outil électroportatif qui ne répond pas à la commande marche/arrêt est dangereux et doit être réparé.
- c. **Retirez la fiche de la prise de courant et/ou débranchez le bloc-batterie avant d'effectuer des réglages, de changer les accessoires ou de ranger l'outil.** Cette mesure de précaution empêche de mettre l'outil en marche accidentellement.
- d. **Rangez les outils électroportatifs hors de la portée des enfants et les personnes ne connaissant pas l'outil ne doivent en aucun cas l'utiliser.** Les outils électroportatifs sont dangereux lorsqu'ils sont utilisés par des personnes non initiées.
- e. **Entretenez les outils électroportatifs. Vérifiez que les parties en mouvement fonctionnent correctement et qu'elles ne sont pas coincées. Vérifiez qu'il n'y a pas de pièces cassées ou endommagées susceptibles de nuire au bon fonctionnement de l'outil. S'il est endommagé, faites réparer l'outil avant de l'utiliser.** De nombreux accidents sont la conséquence d'outils mal entretenus.
- f. **Les outils de coupe doivent toujours être aiguisés et propres.** Des outils soigneusement entretenus avec des bords tranchants bien aiguisés se coincent moins souvent et peuvent être guidés plus facilement.
- g. **Utilisez votre outil électrique, les accessoires et les forets etc. conformément à ces instructions, en tenant compte des conditions de travail et de la tâche à accomplir.** L'utilisation de l'outil électrique pour des usages différents de ceux pour lesquels il est conçu peut entraîner une situation dangereuse.

5. Réparations

- a. Faites réparer votre outil électroportatif uniquement par du personnel qualifié et seulement avec des pièces de rechange appropriées. Cela garantira le maintien de la sécurité de votre outil.

Consignes de sécurité supplémentaires pour un outil électrique



Attention! Consignes de sécurité supplémentaires pour perceuses et perceuses à percussion

Consignes de sécurité pour les perceuses

- **Portez des protecteurs auditifs quand vous utilisez une perceuse à percussion.** L'exposition au bruit peut causer une perte de l'acuité auditive.
- **Utilisez la ou les poignées auxiliaires, si fournies avec l'outil.** Vous risquez de vous blesser si vous perdez le contrôle.
- **Tenez l'outil électrique par les surfaces de prise isolées quand l'accessoire de coupe risque d'entrer en contact avec un fil électrique caché ou son propre cordon.** Si l'accessoire de coupe entre en contact avec un fil sous tension il peut « électricifier » les parties métalliques exposées de l'outil et donner une décharge électrique.
- Utilisez un outil de serrage ou tout autre dispositif pratique pour assurer et maintenir la pièce à travailler sur une plateforme stable. Si vous tenez la pièce à travailler à la main ou contre votre corps elle ne sera pas stable et vous risquez de perdre le contrôle.
- Avant de percer un mur, un sol ou un plafond, vérifiez l'emplacement des câbles électriques et des tuyaux.
- Évitez de toucher la pointe du foret juste après l'avoir utilisé pour percer, car il peut être brûlant.
- Cet outil n'est pas fait pour être utilisé par des personnes (y compris les enfants) avec des capacités physiques, sensorielles ou mentales réduites, ou un manque d'expérience et de connaissances, sauf si elles bénéficient, par l'intermédiaire d'une personne responsable de leur sécurité, d'une supervision ou d'instructions concernant l'utilisation de l'appareil. Les enfants doivent être surveillés pour s'assurer qu'ils ne jouent pas avec l'appareil.
- L'usage pour lequel cet outil est conçu est décrit dans ce mode d'emploi. Si vous utilisez un accessoire ou un attachement avec cet outil, ou si vous faites des travaux autres que ceux recommandés dans ce manuel, vous risquez de vous blesser et/ou causer des dommages matériels.

Sécurité des autres

- Cet outil n'est pas fait pour être utilisé par des personnes (y compris les enfants) avec des capacités physiques, sensorielles ou mentales réduites, ou un manque d'expérience et de connaissances, sauf si elles bénéficient, par l'intermédiaire d'une personne responsable de leur sécurité, d'une supervision ou d'instructions concernant l'utilisation de l'appareil.
- Les enfants doivent être surveillés pour s'assurer qu'ils ne jouent pas avec l'appareil.

Risques résiduels

Il peut y avoir d'autres risques résiduels supplémentaires quand vous vous servez de l'outil, qui ne sont peut-être pas mentionnés dans les consignes de sécurité ci-incluses. Ces risques peuvent être dus à un mauvais usage, une utilisation trop prolongée etc. Même en appliquant les règles de sécurité et en mettant en place les dispositifs de sécurité, certains risques résiduels ne peuvent pas être complètement éliminés. Ceux-ci comprennent :

- Se blesser en touchant les parties tournantes / mobiles.
- Se blesser en changeant les pièces, les lames ou les accessoires.
- Se blesser en travaillant trop longtemps avec un outil. Quand vous vous servez d'un outil pendant de longues périodes pensez à faire des pauses régulières.
- Perte de l'acuité auditive.
- Problèmes de santé dus à l'inhalation de la poussière produite par l'action de forage de votre outil (exemple : travail sur du bois, plus particulièrement le chêne, le hêtre et le MDF.)

Étiquettes apposées sur l'outil

L'étiquette apposée sur votre outil peut contenir les symboles suivants:



Lire le manuel d'instructions



Utiliser une protection oculaire



Utiliser des protections auditives

V Volts

A Ampères

Hz Hertz

W Watts

min minutes

Courrant alternatif

Courrant continu

n₀ Vitesse à vide



..... Construction de classe II



..... Borne de terre



..... Symbole d'alerte de sécurité Rotations par minute

.../min..

Sécurité électrique



Cet outil électrique est doublement isolé, une mise à la terre n'est donc pas nécessaire. Veuillez vérifier si la tension de l'alimentation électrique correspond à la tension indiquée sur la plaque signalétique.

- Si le fil électrique est endommagé, il doit être remplacé par le fabricant ou un centre de réparation agréé par STANLEY afin d'éviter tout danger.

Utilisation d'une rallonge

- Si vous avez besoin d'une rallonge, utilisez une rallonge électrique aux normes, adéquate pour la tension d'alimentation électrique de cet outil (voir fiche technique). La section minimum du conducteur est 1,5 mm².

Quand vous utilisez une rallonge avec enrouleur, veuillez à toujours dérouler complètement le câble.

Voir également le tableau ci-dessous.

Section du conducteur (mm ²)	Capacité du fil (Ampères)					
0,75	6					
1,00	10					
1,50	15					
2,50	20					
4,00	25					
Longueur du câble (m)						
	7.5	15	25	30	45	60
Tension	Ampères		Capacité du fil (Ampères)			
115	0 – 2,0	6	6	6	6	10
	2,1 – 3,4	6	6	6	15	15
	3,5 - 5,0	6	6	10	15	20
	5,1 - 7,0	10	10	15	20	25
	7,1 - 12,0	15	15	20	25	-
	12,1 - 20,0	20	20	25	-	-
230	0 - 2,0	6	6	6	6	6
	2,1 - 3,4	6	6	6	6	6
	3,5 - 5,0	6	6	6	10	15
	5,1 - 7,0	10	10	10	15	15
	7,1 - 12,0	15	15	15	20	20
	12,1 - 20,0	20	20	20	25	-

Position of date barcode

Le code de la date, comprenant aussi l'année de fabrication, est imprimé sur le boîtier de l'outil.

Exemple:

2014 XX JN
Année de fabrication

- Vérifiez si l'outil, les pièces ou les accessoires ont été abîmés pendant leur transport.
- Prenez le temps de lire attentivement et de comprendre les instructions de ce manuel avant de vous servir de l'outil.

Description (fig. A)

1. Interrupteur à vitesse variable
2. Bouton de verrouillage
3. Curseur avant/arrière
4. Sélecteur de mode
5. Fentes de ventilation
6. Poignée latérale
7. Jauge de profondeur
8. Mandrin à clé
9. Manchon
10. Clé du mandrin
11. Cadran des vitesses

Montage

Attention! Avant le montage, veuillez vous assurer que l'outil électrique est hors tension et que la fiche est débranchée de la prise.

Sélection du mode d'opération (fig. B) L'outil peut être utilisé dans deux modes de fonctionnement :

Perçage rotatif:
pour l'acier, le bois et les plastiques.

Perçage à percussion :
rotation et percussion simultanées pour percer des trous dans le béton et la maçonnerie.

- Sélectionnez le mode de fonctionnement requis en tournant le sélecteur de mode (4) sur la position requise.

Insérer et enlever un foret (fig. A)

Mandrin à clé

- Ouvrez le mandrin en tournant le manchon (9) dans le sens antihoraire et insérez la tige du foret.
- Placez la clé du mandrin (10) dans chaque trou sur le côté du mandrin et tournez dans le sens horaire jusqu'à ce que le foret soit bien serré.
- Pour enlever le foret, procédez en sens inverse.

Installation de la poignée latérale (fig. A)

La poignée latérale (6) peut être fixée pour convenir aux droitiers ou aux gauchers.



Servez-vous toujours de la perceuse avec la poignée latérale correctement montée.

- Desserrez la poignée latérale.
- Pour les droitiers, glissez l'étrier de la poignée latérale par-dessus la collerette du mandrin, avec la poignée à gauche.
- Pour les gauchers, glissez l'étrier de la poignée latérale par-dessus la collerette du mandrin, avec la poignée à droite.
- Tournez la poignée latérale dans la position désirée et serrez la poignée.

Réglage de la profondeur de forage (fig. C)

- Insérez le foret requis dans le mandrin.
- Desserrez la poignée latérale (6).
- Passez la tige de la jauge de profondeur (7) à travers le trou dans l'étrier de la poignée latérale.
- Réglez la profondeur de forage comme illustré.
- Serrez la poignée latérale.

Curseur avant/arrière (fig. A)

- Pour sélectionner la rotation avant ou arrière, utilisez le bouton avant/arrière (3) (voir la flèche sur l'outil).



Toujours attendre que le moteur soit complètement à l'arrêt avant de changer la direction de rotation.

Enlever le mandrin (fig. D)

- Ouvrez les mâchoires du mandrin au maximum.
- Insérez un tournevis dans le mandrin et enlevez la vis de retenue (12) du mandrin en tournant dans le sens horaire.
- Serrez une clé à six pans dans le mandrin et tapez sur la clé avec un marteau comme illustré.

Instructions d'utilisation

- Observez toujours les instructions de sécurité et la réglementation applicable.
- Vérifiez l'emplacement des câbles électriques et des tuyaux.
- Appliquez seulement une pression douce sur l'outil. Une force excessive n'accélère pas le forage mais diminue la performance de l'outil et peut réduire sa durée de vie.

- Portez des protecteurs auditifs quand vous utilisez une perceuse à percussion. L'exposition au bruit peut causer une perte de l'acuité auditive.
- Utilisez la ou les poignées auxiliaires fournies avec l'outil. Vous risquez de vous blesser si vous perdez le contrôle.
- Tenez l'outil électrique par les surfaces de prise isolées quand l'accessoire de coupe risque d'entrer en contact avec un fil électrique caché ou son propre cordon. Si l'accessoire de coupe entre en contact avec un fil sous tension il peut « électrifier » les parties métalliques exposées de l'outil et donner une décharge électrique.
- Si vous êtes obligé de travailler avec un outil électrique dans un emplacement humide, servez-vous d'un disjoncteur différentiel (DDFT) pour une alimentation électrique protégée. L'utilisation d'un disjoncteur différentiel réduit le risque de décharge électrique.

Avant de commencer

- Insérez le foret approprié.
- Marquez l'endroit où le trou doit être foré.

Position correcte des mains (fig. A, E)



Attention: Pour réduire le risque de se blesser, placez TOUJOURS vos mains dans la bonne position comme illustré.



Attention: Pour réduire le risque de blessures graves, TOUJOURS tenir fermement la perceuse en anticipation d'une réaction soudaine.

La position correcte pour tenir la perceuse est une main sur la poignée latérale (6), et l'autre main sur la poignée principale.

Marche / Arrêt

- Pour démarrer l'outil, appuyez sur l'interrupteur à vitesse variable (1). La vitesse de l'outil dépend de combien vous enfoncez le bouton.
- Pour une opération continue, appuyez sur le bouton de verrouillage (2) et relâchez l'interrupteur à vitesse variable. Cette option n'est disponible qu'à la vitesse maximum.
- Pour arrêter l'outil, relâchez l'interrupteur à vitesse variable. Pour arrêter l'outil quand il est en opération continue, appuyez de nouveau sur l'interrupteur à vitesse variable puis relâchez-le.
- Suivant les différentes applications, tournez le cadran des vitesses (11) pour régler la vitesse maximum.

Percer dans du métal

Commencez à percer à vitesse lente puis augmentez à la puissance maximum tout en appliquant une pression ferme sur l'outil. Le rejet régulier et uniforme de copeaux de métal indique une vitesse de perçage adéquate. Utilisez un lubrifiant de coupe quand vous percez des métaux. Les exceptions sont la fonte et le cuivre qui doivent être percés à sec.

Nota: Dans l'acier les gros trous [8 mm (5/16 po) à 13 mm (1/2 po)] peuvent être percés plus facilement si vous faites d'abord un trou de guidage [4 mm (5/32 po à 5 mm (3/16 po)].

Percer dans du bois

Commencez à percer à vitesse lente puis augmentez à la puissance maximum tout en appliquant une pression ferme sur l'outil. Vous pouvez faire les trous dans le bois avec les mêmes forets hélicoïdaux utilisés pour le métal. Ces forets vont surchauffer s'ils ne sont pas fréquemment retirés du trou foré pour enlever les copeaux accumulés dans les cannelures. Soutenez les ouvrages qui sont aptes à se fendre avec un bloc de bois.

Percer dans de la maçonnerie

Quand vous percez un trou dans de la maçonnerie, servez-vous des forets en métal dur calibrés pour les perceuses à percussion et assurez-vous que les forets sont bien aiguisés. Appliquez une force constante et ferme sur l'outil pour forer plus efficacement. Une projection uniforme et régulière de poussière indique une bonne vitesse de forage.

Vissage

- Sélectionnez la rotation avant ou arrière.

Perçage à percussion (fig. A)

- Sélectionnez le mode percussion.
- Appuyez sur le bouton (1).

Perçage rotatif (fig. A)

- Sélectionnez le mode perçage rotatif.
- Procédez comme pour le perçage à percussion.

Consultez votre représentant pour plus d'informations sur les accessoires appropriés.

Accessoires

La performance d'un outil électrique dépend de ses accessoires. Les accessoires STANLEY sont conçus avec un très haut standard de qualité afin d'accroître la performance de l'outil électrique. Ces accessoires peuvent vous aider à travailler plus commodément avec votre outil.

Entretien

Les appareils / outils STANLEY avec ou sans fil sont d'une conception sophistiquée, ils ont une longue durée de service et ne nécessitent que peu d'entretien. Pour obtenir une utilisation consistante satisfaisante, un bon entretien et un nettoyage régulier des outils sont nécessaires.

Attention! Avant de faire l'entretien d'un outil électrique avec ou sans fil, vous devez observer les points suivants:

- Mettez l'équipement / l'outil hors tension et débranchez la prise ;
- Si l'équipement / l'outil est équipé d'un bloc batterie indépendant, mettez-le hors tension et enlevez le bloc batterie de l'équipement / de l'outil.
- Si l'équipement / l'outil est équipé d'une batterie intégrée, déchargez la batterie avant de l'éteindre.
- Avant de nettoyer, débranchez la fiche du chargeur de la prise électrique. Sinon, excepté nettoyer régulièrement votre chargeur, aucun autre entretien n'est requis.
- Nettoyez régulièrement les fentes de ventilation de l'équipement / des outils / du chargeur avec une brosse douce ou un chiffon sec.
- Nettoyez régulièrement le boîtier du moteur avec un chiffon humide. Veuillez ne pas utiliser de produit nettoyant abrasif ou à base de solvant.
- Ouvrez régulièrement le mandrin et tapotez-le doucement pour enlever les poussières à l'intérieur (après installation).



Nettoyage

Attention! Dès qu'une accumulation de poussière est visible sur et/ou autour des fentes de ventilation, enlevez immédiatement la poussière et la poudre dans le boîtier avec de l'air sec. Pour cette procédure, portez l'équipement de sécurité approuvé et un masque antipoussière.



Attention! Il est formellement interdit de nettoyer les parties non métalliques de l'outil avec des solvants ou d'autres produits chimiques irritants. Ces produits chimiques peuvent affaiblir les matériaux de ces

pièces. Utilisez un chiffon trempé dans de l'eau légèrement savonneuse pour les nettoyer. Ne laissez aucune substance s'imprégner dans l'outil et n'immergez aucune pièce de l'outil dans un liquide.

Service à la clientèle

STANLEY possède un réseau complet de points de services dans ses propres établissements et chez des représentants agréés partout en Asie. Tous les Centres de Service STANLEY disposent d'un personnel qualifié pouvant offrir aux clients un entretien efficace et fiable de leurs outils électriques. Si vous avez besoin de conseils techniques, de réparations ou de pièces de rechange d'origine, contactez le représentant STANLEY le plus près de chez vous.

Remarques

- Chez STANLEY notre politique est l'amélioration constante de nos produits et en conséquence, nous nous réservons le droit de modifier les spécifications du produit sans avis préalable.
- Les équipements et les accessoires standard peuvent varier suivant les pays.
- Les spécifications du produit peuvent varier suivant les pays.
- La gamme complète de produits n'est peut-être pas proposée dans tous les pays. Contactez vos représentants STANLEY locaux pour la disponibilité des produits de la gamme.

Protection de l'environnement



Collecte sélective. Ne pas jeter cet appareil avec les ordures ménagères.

Si vous devez remplacer un appareil Stanley ou si vous ne l'utilisez plus, ne le jetez pas avec les ordures ménagères, mais dans les conteneurs de collecte sélective.



La collecte sélective des produits et des emballages usagés permet de recycler et de réutiliser leurs matériaux. La réutilisation de matériaux recyclés aide à protéger l'environnement contre la pollution et à réduire la demande en matières premières.

Les réglementations locales peuvent proposer la collecte sélective des appareils électriques ménagers, dans des déchetteries municipales ou par le revendeur lorsque vous achetez un nouvel appareil. Stanley dispose d'installations pour la collecte et le recyclage des produits Stanley en fin de vie. Pour profiter de ce service, veuillez rapporter votre appareil auprès d'un centre de réparation agréé qui se chargera de le collecter en notre nom.

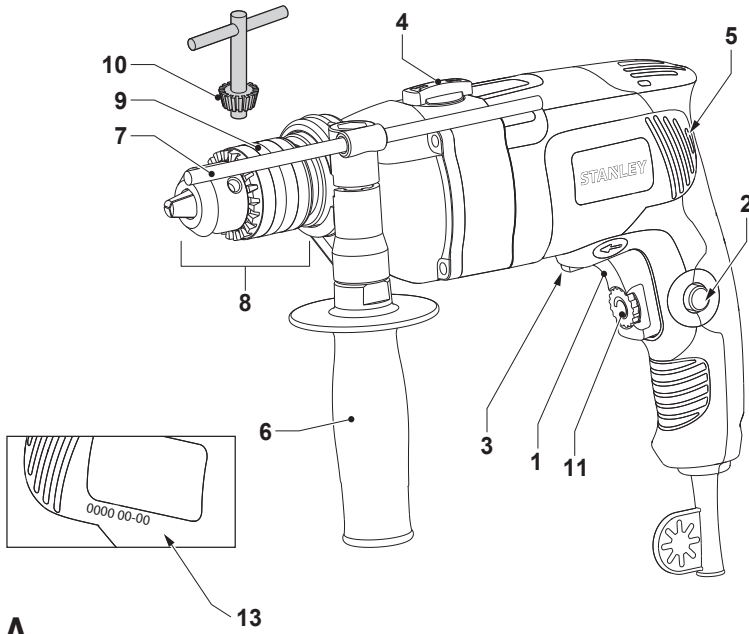
Pour connaître l'adresse d'un centre de réparation agréé près de chez vous, contactez votre distributeur Stanley à l'adresse indiquée dans ce manuel, ou consultez la liste des centres de réparation agréés Stanley et tout renseignement complémentaire sur notre service après-vente sur le site internet à l'adresse: www.2helpU.com.

Garantie deux

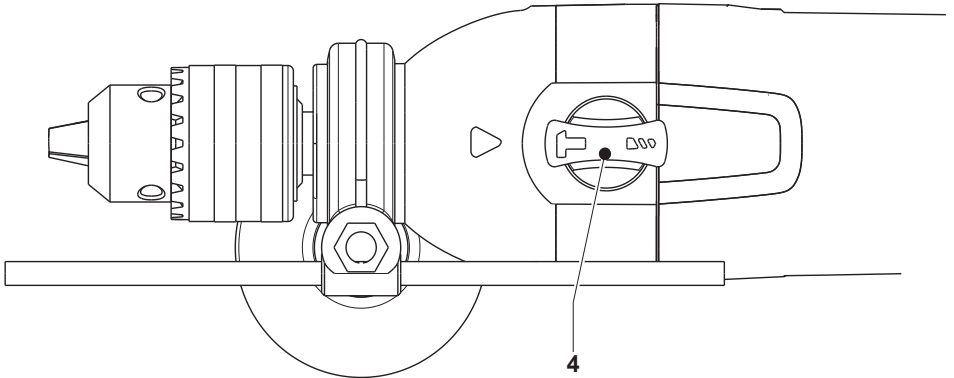
Si votre appareil STANLEY s'avère défectueux en raison d'un vice de matériau ou de fabrication dans les 24 mois à compter de sa date d'achat, STANLEY Europe garantit le remplacement gratuit de toute pièce défectueuse ou – à notre entière discrétion – le remplacement gratuit de l'appareil, à condition que:

- L'appareil n'ait pas été utilisé avec négligence et qu'il ait été utilisé en suivant les instructions contenues dans ce manuel.
- L'appareil ait été soumis à une usure normale;
- Aucune réparation n'ait été effectuée par du personnel non autorisé;
- Une preuve d'achat soit fournie.
- L'appareil STANLEY soit retourné complet, avec l'ensemble de ses composants originaux.

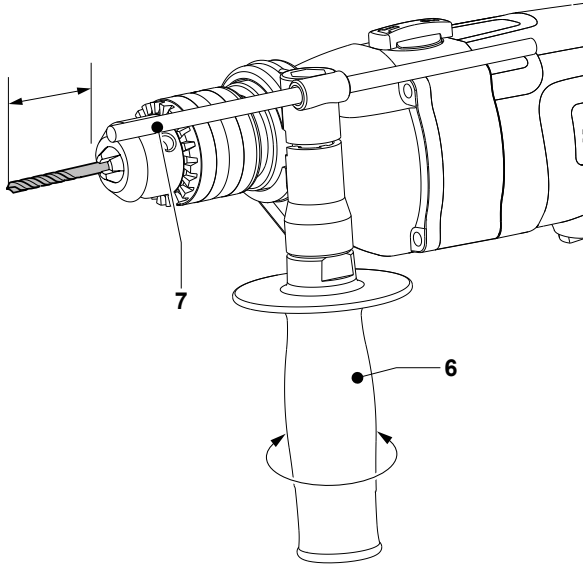
Pour avoir recours à la garantie, contactez votre revendeur ou consultez l'emplacement du centre de réparation agréé Stanley le plus proche dans le catalogue, ou contactez le service clientèle Stanley à l'adresse indiquée dans ce manuel. Une liste des centres de réparation agréés Stanley et tout détail complémentaire concernant notre service après-vente sont à votre disposition sur notre site internet : www.stanleytools.com



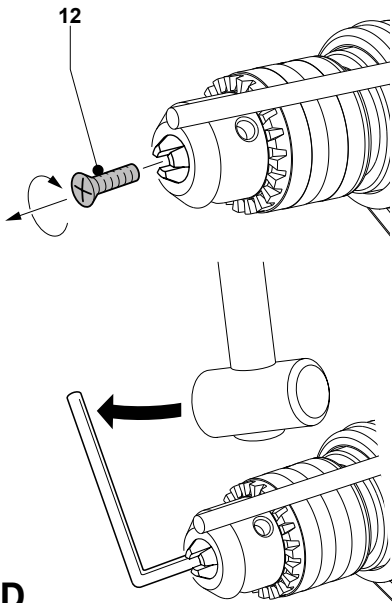
A



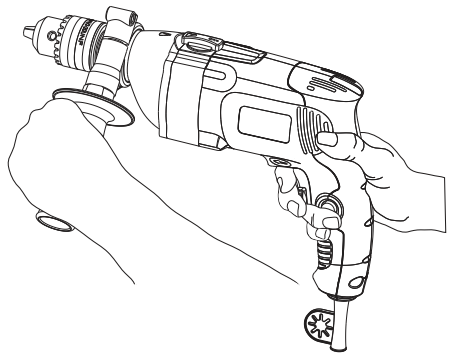
B



C



D



E

Dados técnicos

Furadora de impacto		STDH8013
Tensão	V	230
Frequência	Hz	50
Potência de entrada	W	800
Velocidade em vazio	/min	0-3000
Taxa de impacto	IPM	0-54000
Rotação inversa/de avanço	Sim	
Capacidade da bucha	mm	1,5-13
Capacidade max.		
Cimento	mm	16
Metal	mm	13
Madeira	mm	32
Peso	kg	2,5

Utilização prevista

A sua furadora de impacto STANLEY foi projetada para furar em madeira, metal e cimento. Esta ferramenta destina-se somente para utilização do consumidor.

Aviso de segurança geral de ferramenta elétrica



Aviso! Ler e compreender todas as instruções. A falha em seguir todas as instruções listadas em baixo podem resultar em choque, incêndio e/ou grave lesão pessoal.

Guarde todos estes avisos para futura consulta.

O termo "ferramenta elétrica" em todos os avisos em baixo listados refere-se aos meios operados (por cabo) da ferramenta elétrica ou ferramenta elétrica alimentada a bateria (sem fios).

1. Segurança de área de trabalho

- Manter a área de trabalho limpa e bem iluminada.** Áreas desordenadas ou escuras são propícias a acidentes.
- Não operar as ferramentas elétricas em atmosferas explosivas, tais como na presença de materiais, gases ou poeiras.** Ferramentas elétricas podem causar faíscas que acendam a poeira ou fumos.
- Manter as crianças e transeuntes longe quando operar uma ferramenta elétrica.** Distrações podem-no fazer perder o controle.

2. Segurança elétrica

- As fichas das ferramentas elétricas devem ser iguais às das tomadas. Nunca modifique de qualquer forma a ficha. Não usar quaisquer fichas com ferramentas elétricas com ligação à terra (terra).** Fichas não modificadas e tomadas condizentes reduziram o risco de choque elétrico.
- Evite o contacto físico com superfícies ligadas à terra tais como tubos, radiadores, conteúdos e frigoríficos.** Existe um risco maior de choque elétrico se o seu corpo estiver ligado à terra ou chão.
- Não exponha as ferramentas elétricas a condições chuvosas ou húmidas.** Água que entre numa ferramenta elétrica aumentará o risco de choque elétrico.
- Não abuse do fio. Nunca use o fio para carregar, puxar ou desligar a ferramenta elétrica. Mantenha o fio longe do calor, óleo, pontas afiadas ou partes móveis.** Fios danificados ou entrelaçados aumentam o risco de choque elétrico.
- Quando operar uma ferramenta elétrica no exterior, use um fio de extensão adequado para uso exterior.** O uso de um fio apropriado para uso exterior reduz o risco de choque elétrico.
- Se o uso de uma ferramenta elétrica num local húmido não for inevitável, use uma fonte protegida de dispositivo de corrente residual (DCR).** O uso de DCR reduz o risco de choque elétrico.

3. Segurança pessoal

- Esteja atento, tenha atenção ao que está a fazer e use o senso comum quando operar uma ferramenta elétrica. Não use ferramentas elétricas quando estiver cansado ou sob influência de drogas, álcool ou medicação.** Uma desatenção enquanto opera uma ferramenta elétrica pode causar graves danos pessoais.
- Use equipamento de proteção pessoal. Use sempre proteção ocular.** Equipamento protetor tal como máscara de poeiras, calçado anti derrapagem, capacete, ou proteção auditiva usada para as condições apropriadas de poeiras, calçado anti derrapagem, capacete, ou proteção auditiva usada para as condições apropriadas reduzirá o risco de lesões pessoais.
- Previna arranque indesejado. Assegure-se que o interruptor está na posição "off" antes de ligar à fonte de energia e/ou pilhas, ao pegar ou carregar a ferramenta.** Carregar ferramentas elétricas com o seu dedo no interruptor ou alimentar ferramentas elétricas que têm o interruptor ligado propiciam os acidentes.
- Remova qualquer chave de ajuste ou chave antes de ligar a ferramenta elétrica.** Uma chave deixada presa à peça em rotação pode resultar em lesões pessoais.

- e. **Não se exceda. Mantenha sempre a posição de pés adequada e equilíbrio.** Isto permite um melhor controlo da ferramenta eléctrica em situações inesperadas.
- f. **Vista-se apropriadamente. Não use roupas largas ou joias. Mantenha o seu cabelo, vestuário e luvas longe das partes em movimento.** Vestuário largo, joias ou cabelo comprido podem ficar presos nas peças em movimento.
- g. Se são fornecidos dispositivos para a coleção ou extração de poeiras e instalações de coleção, assegure-se que estes estão ligados e são usados apropriadamente. Uso da recolha de poeira pode reduzir o risco de perigos relacionados com a poeira.

4. Uso e cuidado da ferramenta eléctrica

- a. **Não force a ferramenta eléctrica. Use a ferramenta eléctrica correta para a sua tarefa.** A ferramenta eléctrica correta fará o trabalho melhor de forma mais segura à medida para a qual foi desenhada.
- b. **Não use a ferramenta eléctrica se o interruptor não a ligar ou desligar.** Qualquer ferramenta eléctrica que não possa ser controlada com o interruptor é perigosa e deve ser reparada.
- c. **Desligue a fiche da fonte de energia e/ou pilha da ferramenta eléctrica antes de fazer qualquer ajuste mudar acessórios ou guardar as ferramentas eléctricas.** Tais medidas preventivas reduzem o risco de ligar a ferramenta eléctrica acidentalmente.
- d. **Guarde ferramentas eléctrica inativas fora do alcance das crianças e não permita a pessoas não familiarizadas com as ferramentas eléctricas a operar a ferramenta eléctrica.** Ferramentas eléctricas são perigosas nas mãos de utilizadores não preparados.
- e. **Reveja as ferramentas eléctricas. Verifique se há desalinhamento ou ligação das peças móveis, se as peças quebraram e quaisquer outras condições que possam afetar a operação das ferramentas eléctricas.** Muitos acidentes são causados por ferramentas eléctricas mal revistas.
- f. **Mantenha as ferramentas de corte afiadas e limpas.** Ferramentas de corte devidamente revistas com superfícies de corte afiadas têm menos probabilidades de ligar e mais fáceis de controlar.
- g. **Utilize a ferramenta eléctrica, os acessórios e os buris, etc., de acordo com estas instruções e tendo em atenção as condições de trabalho e o trabalho a ser executado.** A utilização da ferramenta eléctrica para diferentes operações das indicadas pode causar uma situação perigosa.

5. Manutenção

- a. **Mantenha a sua ferramenta eléctrica revista por uma pessoa especializada de reparações usando só peças de substituição idênticas.** Isto assegurará que a segurança da ferramenta eléctrica está mantida.

Avisos adicionais de segurança da ferramenta eléctrica



Aviso! Avisos de segurança adicionais para furadoras e furadoras de impacto

Avisos de segurança adicionais

- **Utilize proteção auricular com as furadoras de impacto.** A exposição ao ruído pode causar perda de audição.
- **Utilize o(s) manípulo(s) auxiliar(es), se fornecido(s) com a ferramenta.** A perda de controlo pode causar lesões pessoais.
- **Mantenha a ferramenta eléctrica em superfícies aderentes isoladas quando executar uma operação em que o acessório de corte possa entrar em contacto com fios escondidos ou com o seu próprio cabo.** O acessório de corte ao entrar em contacto com um fio «sob tensão» pode expor partes de metal da ferramenta eléctrica «sob tensão» e provocar um choque elétrico no operador.
- Utilize grampos ou outra maneira prática de segurar e apoie a peça de trabalho numa plataforma estável. Segurar a peça na mão ou contra o seu corpo torna-a instável e pode provocar perda de controlo.
- Antes de furar as paredes, chãos ou tetos, verifique a localização de fios e tubos.
- Evite tocar na ponta da broca após furar porque pode estar quente.
- Esta ferramenta não se destina a ser utilizada por pessoas (incluindo crianças) com deficiência física, sensorial ou mental, ou falta de experiência e conhecimento, a não ser que seja prestada supervisão ou instruções relativas à utilização do aparelho por parte de uma pessoa responsável pela sua segurança. As crianças deverão ser vigiadas de modo a garantir que não brincam com o aparelho.
- A utilização prevista está descrita neste manual de instruções. A utilização de qualquer acessório ou peça anexa ou a realização de quaisquer operações com esta ferramenta que não as recomendadas neste manual de instruções podem representar um risco de lesões pessoais e/ou danos na propriedade.

Segurança de outras pessoas

- Este aparelho não se destina a ser utilizado por pessoas (incluindo crianças) com deficiência física, sensorial ou mental, ou falta de experiência e conhecimento, a não ser que seja prestada supervisão ou instruções relativas à utilização do aparelho por parte de uma pessoa responsável pela sua segurança.
- As crianças deverão ser vigiadas de modo a garantir que não brincam com o aparelho.








Riscos residuais

Podem surgir riscos residuais adicionais quando utiliza a ferramenta que podem não estar incluídos nos avisos de segurança anexos. Estes riscos podem ocorrer da má utilização, utilização prolongada, etc. Mesmo com a aplicação das regras de segurança relevantes e a implementação de dispositivos de segurança, certos riscos residuais não podem ser evitados. Estes incluem:

- Lesões causadas por tocar em peças rotativas/móveis.
- Lesões causadas quando substitui quaisquer peças, lâminas ou acessórios.
- Lesões causadas por utilização prolongada de uma ferramenta. Quando utiliza uma ferramenta por períodos prolongados, certifique-se de que faz intervalos regulares.
- Diminuição de audição.
- Os perigos de saúde causados por respirar a poeira desenvolvida quando utiliza a sua ferramenta (por exemplo: trabalhar com madeira, especialmente carvalho, faia e MDF.)

Etiquetas na ferramenta

A etiqueta na sua ferramenta pode incluir os seguintes símbolos:

	Ler Manual de Instruções	Hz Hertz		Classe II Construção
	Usar proteção ocular	W Watts		Símbolo de Aviso de
	Usar proteção auditiva	min minutos		Terminal de Ligação à Terra
		Corrente Alternada		Rotações ou Reciprocaciones por minuto
		Corrente Direta	.../min..	
V	Volts	n ₀	Velocidade em vazio	
A	Amperes			

Posição do código de barras de dados

O código de Dados, que também inclui o ano de fabrico, é impresso na carcaça.

Exemplo:

2014 XX JN
Ano de Fabrico

Segurança elétrica



Medidas de isolamento duplo são tomadas nesta ferramenta elétrica de forma a que nenhuma ligação à terra seja necessária. Por favor, verifique se a tensão de alimentação fornecida é consistente com a tensão na placa de identificação ou não.

- Se o fio estiver danificado, deve ser substituído pelo fabricante ou um centro de serviço autorizado pela STANLEY, para evitar o perigo.

Utilizando um cabo de extensão

- Se for necessária uma extensão de cabo, utilize uma extensão de cabo aprovada e adequada para a potência de entrada desta ferramenta (consultar dados técnicos). A dimensão mínima do condutor é 1,5 mm².

Quando utilizar uma bobina de cabo, desenrole sempre o fio completamente.

Consulte também a tabela abaixo.

Dimensão do condutor (mm ²)	Avaliação do cabo (Amperes)									
0,75	6									
1,00	10									
1,50	15									
2,50	20									
4,00	25									
Comprimento do cabo (m)										
7,5 15 25 30 45 60										
Tensão	Amperes	Avaliação do cabo (Amperes)								
115	0 – 2,0	6	6	6	6	6	6	10		
	2,1 – 3,4	6	6	6	6	15	15			
	3,5 – 5,0	6	6	10	15	20	20			
	5,1 – 7,0	10	10	15	20	20	25			
	7,1 – 12,0	15	15	20	25	25				
230	0 – 2,0	20	20	25	-	-	-	-	-	-
	2,1 – 3,4	6	6	6	6	6	6			
	3,5 – 5,0	6	6	6	6	10	15			
	5,1 – 7,0	10	10	10	10	15	15			
	7,1 – 12,0	15	15	15	15	20	20			
	12,1 – 20,0	20	20	20	25					

- Verifique a existência de danos na ferramenta, peças ou acessórios que possam ter ocorrido durante o transporte.
- Passe tempo a ler e a compreender este manual antes do funcionamento.

Descrição (fig. A)

1. Botão de velocidade variável
2. Interruptor de bloqueio
3. Corrediça frente/inversão
4. Seletor de modo
5. Ranhuras de ventilação
6. Manipulo lateral
7. Tirante de ajuste de profundidade
8. Chave de aperto
9. Manga
10. Chave da bucha
11. Marcação rápida

Montagem

Aviso! Antes da montagem, certifique-se de que a ferramenta está desligada e a ficha de alimentação da ferramenta está desligada da fonte de alimentação.

Selecione o modo de funcionamento (fig. b) A ferramenta pode ser utilizada em dois modos:

Furação rotativa:
para aço, madeira e plásticos.

Furação de impacto:
Rotação e impacto em simultâneo para operações de furação em cimento e alvenaria.

- Selecione o modo de operação necessário ao rodar o seletor de modo (4) para a posição necessária.

Inserir e remover uma ponta (fig. A)

Chave de aperto

- Abra a bucha ao girar a manga (9) no sentido inverso aos dos ponteiros do relógio e insira a ponta da haste.
- Coloque a chave da bucha (10) em cada orifício no lado da bucha e rode no sentido horário até apertar.
- Para remover a ponta, proceder na ordem inversa.

Colocação do manipulo lateral (fig. A)

O manipulo lateral (6) pode ser colocado para atender tanto os utilizadores da mão direita como da mão esquerda.



Utilize sempre a furadora com o manipulo lateral montado nas condições devidas.

- Solte o manipulo lateral.
- Para os utilizadores da mão direita, deslize o grampo do manipulo lateral sobre o colar atrás da bucha, manipulo à esquerda.
- Para os utilizadores da mão esquerda, deslize o grampo do manipulo lateral sobre o colar atrás da bucha, manipulo à direita.
- Rode o manipulo lateral para a posição desejada e aperte o manipulo.

Fixar a profundidade de furação (fig. C)

- Insira a ponta da broca desejada na bucha.
- Solte o manipulo lateral (6).
- Encaixe o tirante de ajuste de profundidade (7) no orifício no grampo do manipulo lateral.
- Ajuste a profundidade da furação como está indicado.
- Aperte a pega lateral.

Corrediça para a frente/inversão (fig. A)

- Para selecionar a rotação para a frente ou inversa, utilize o interruptor para a frente/inversão (3) (ver seta na ferramenta).



Espre sempre até que o motor pare completamente antes de alterar a direção da rotação.

Remoção da bucha (fig. D)

- Abra as pinças da bucha o máximo possível
- Insira a chave de parafusos na bucha e respetivo parafuso de fixação (12) rodando na direção dos ponteiros do relógio.
- Aperte uma chave Allen na bucha e dê-lhe um toque ligeiro com um martelo conforme é indicado.

Instruções de utilização

- Observe sempre as instruções de segurança e regulamentos aplicáveis.
- Esteja ciente da localização da canalização e instalação elétrica.
- Aplique apenas uma ligeira pressão na ferramenta. A força excessiva não vai acelerar a furação mas diminuir o desempenho da ferramenta e pode encurtar a vida útil da ferramenta.

- Use proteção auricular com as furadoras de impacto. A exposição ao ruído pode causar perda de audição.
- Utilize os manípulos auxiliares fornecidos com a ferramenta. A perda de controlo pode causar lesões pessoais.
- Mantenha a ferramenta elétrica em superfícies aderentes isoladas quando executar uma operação em que o acessório de corte possa entrar em contacto com fios escondidos ou com o seu próprio cabo. O acessório de corte, ao entrar em contacto com um fio «sob tensão», pode expor peças de metal da ferramenta elétrica «à tensão» e provocar um choque elétrico no operador.
- Se não puder evitar de trabalhar com uma ferramenta elétrica num local húmido, utilize um dispositivo de corrente residual (DCR). A utilização de um DCR reduz o risco de choque elétrico.

Antes da operação

- Insira a ponta apropriada.
- Marque o ponto onde o orifício será furado.

Posição da mão adequada (fig. A, E)

Aviso: Para reduzir o risco de ferimentos pessoais graves, utilize SEMPRE a posição da mão adequada como mostrado.



Aviso: Para reduzir o risco de ferimentos pessoais graves, segure SEMPRE com segurança em antecipação a uma reação súbita.



A posição da mão adequada requer uma mão no manípulo lateral (6), com a outra mão na pega principal.

Ligar e desligar

- Para ligar a ferramenta, pressione o interruptor de velocidade variável (1). A velocidade da ferramenta depende do quanto pressiona o interruptor.
- Para o funcionamento contínuo, pressione o interruptor de bloqueio (2) e solte o interruptor de velocidade variável. Esta opção só está disponível na velocidade total.
- Para desligar a ferramenta, solte o interruptor de velocidade variável. Para desligar a ferramenta quando em funcionamento contínuo, pressione o interruptor de velocidade variável mais uma vez e solte-o.
- Com base nas diferentes aplicações, rode a marcação rápida (11) para controlar a velocidade máxima.

Furar em metal

Comece a furação com velocidade lenta e aumente para a potência máxima enquanto aplica uma pressão firme na ferramenta. Um fluxo de aparas de metal mesmo suave indica o índice de furação adequado. Utilize um lubrificante

de corte quando perfurar metais. As exceções são o ferro fundido e o latão que devem ser perfurados a seco.

Nota: A largura [5/16" (8 mm)] para furos de 1/2" (13 mm)] em aço podem ser facilmente realizados se orifício piloto entre [5/32" (4 mm) e 3/16" (5 mm)] for furado antes.

Furar em madeira

Comece a furação com velocidade lenta e aumente para a potência máxima enquanto aplica uma pressão firme na ferramenta. Os furos em madeira podem ser realizados com as mesmas brocas helicoidais utilizadas para metal. Estas pontas podem sobreaquecer a menos que as tire com frequência para limpar as aparas das navalhas. O trabalho que é apto a lascar-se deve ser apoiado com um bloco de madeira.

Furar em alvenaria

Quando furar em alvenaria, utilize pontas de carboneto para a furação de impacto e certifique-se de que as pontas estão afiadas. Utilize uma força constante e firme na ferramenta para furar de forma mais eficaz. Um fluxo de pó mesmo suave indica o índice de furação adequado.

Aparafusar

- Selecione a rotação para a frente ou inversa.

Furação de impacto (fig. A)

- Selecione o modo de impacto.
- Pressione o interruptor (1).

Furação rotativa (fig. A)

- Selecione o modo de furação rotativa.
- Proceder como descrito para a furação de impacto.

Consulte o seu revendedor para obter mais informações sobre os acessórios apropriados.

Acessórios

A eficiência de uma ferramenta elétrica depende dos seus acessórios. Os acessórios STANLEY são projetados de acordo com os padrões de alta qualidade para melhorar o desempenho da ferramenta elétrica. A utilização destes acessórios pode ajudá-lo a operar a ferramenta de forma conveniente.

Manutenção

O cabo STANLEY/aparelho sem fio/as ferramentas são de design sofisticado, podem ser utilizadas por um longo tempo e só é necessária pouca manutenção. Para obter uma utilização satisfatória consistente é necessário uma manutenção e limpeza regular.

Aviso! Antes de realizar qualquer trabalho de manutenção no cabo/ferramentas elétricas sem fios devem ser implementados os seguintes pontos:

- Desligue a corrente do equipamento/ ferramentas e retire da tomada;
- Se o equipamento/ferramentas estão equipados com um bloco de baterias independente, por favor, desligue a corrente e remova o bloco de baterias do equipamento/ferramentas.
- Se o equipamento/ferramentas estão equipados com uma bateria integrada, por favor, esgote a bateria antes de desligar a sua corrente.
- Antes da limpeza, desligue o carregador da fonte de alimentação. Além disso, com exceção da limpeza regular do seu carregador, não é necessário nenhum outro tipo de manutenção.
- Utilize regularmente a escova macia ou pano seco para limpar a ranhura de ventilação do equipamento/ferramentas/carregador.
- Utilize regularmente um pano húmido para limpar o corpo do motor. Por favor, não utilize produtos de limpeza abrasivos ou produtos de limpeza à base de solvente.
- Abra a bucha de fixação regularmente e bata levemente nele para remover qualquer sujidade do interior (depois da instalação).



Limpeza



Aviso! Uma vez que o pó acumulado visível é encontrado em/ou à volta das portas de ventilação, poeira e pó dentro da cuba de acolhimento com ar seco e limpo. Para executar este procedimento, utilize o equipamento de segurança aprovado e máscara de pó.

Aviso! É estritamente proibido limpar as partes não metálicas da ferramenta com os solventes ou outros produtos químicos irritantes. Estes produtos químicos podem enfraquecer os materiais destes componentes. Utilize um pano humedecido com uma água com sabão neutro para o limpar. Nunca permita que qualquer substância penetre na ferramenta e nunca emergir qualquer peça da ferramenta em líquido.

Serviços de informação

A STANLEY proporciona uma rede completa de filiais e locais de serviço autorizados da empresa em toda a Ásia. Todos os Centros de Serviços STANLEY são equipadas com pessoal treinado para oferecer aos clientes um serviço de ferramentas elétricas confiável e eficiente. Se necessita de assessoria técnica, reparação ou peças de substituição originais de fábrica, contacte o local STANLEY mais próximo.

Notas

- A política da STANLEY é um melhoramento contínuo dos nossos produtos e, como tal, reservamos o direito de alterar as características do produto sem aviso prévio.
- O equipamento standard e os acessórios podem variar por país.
- As características do produto podem diferir por país.
- A gama completa de produtos pode não estar disponível em todos os países. Contacte o seu revendedor STANLEY local para a disponibilidade da gama.

Protegendo o ambiente



Recolha separada. Este produto não deve ser descartado com o resto do lixo caseiro normal.

Se encontrar que um dia o seu produto Stanley precisa de substituição, ou se já não tem mais uso para si, não o descarte com o resto de lixo caseiro normal. Disponibilize este produto para recolha separada.



Recolha separada dos produtos usados e embalagens permite que os materiais sejam reciclados e usados de novo. Reutilizar materiais reciclados ajuda a prevenir poluição ambiental e reduz a necessidade de matéria-prima.

Leis locais podem fornecer recolha separada de produtos elétricos das casas, em sítios de resíduos municipais ou no vendedor quando você compra um novo produto. Stanley oferece uma instalação para a recolha e reciclagem de produtos Stanley uma vez que estes atingiram o fim da sua vida útil. Para desfrutar deste serviço por favor devolva o seu produto a qualquer agente autorizado de reparações que os recolherá em nosso nome.

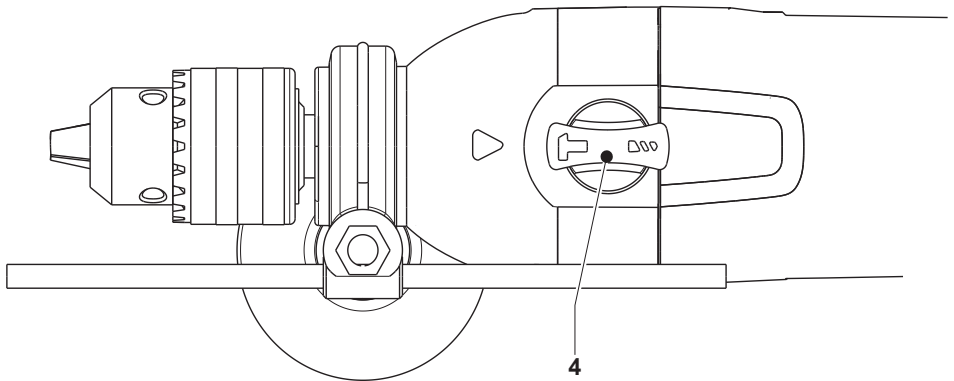
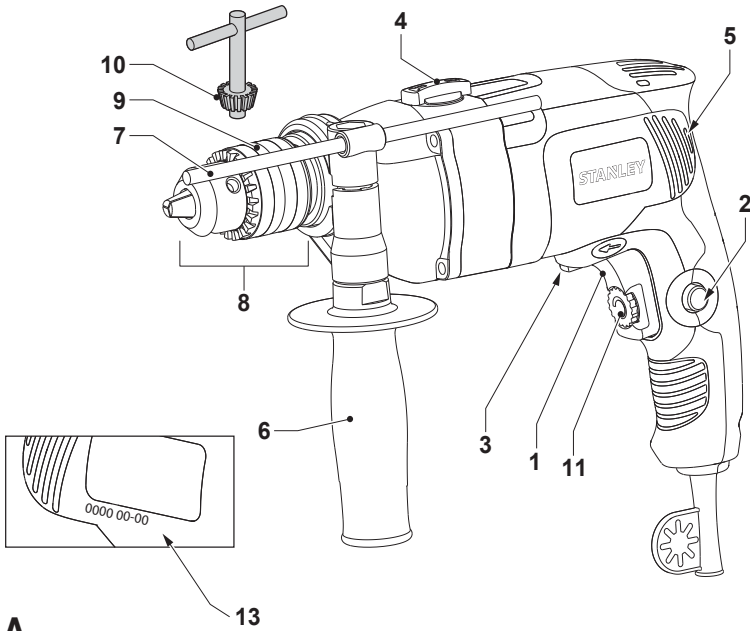
Você pode verificar a localização do seu agente de reparações autorizado mais próximo contactando o seu escritório local Stanley no endereço indicado neste manual. Alternativamente, uma lista de agentes de reparações autorizados pela Stanley e detalhes completos dos nossos serviços pós-venda e contactos estão disponíveis na Internet em: www.2helpU.com

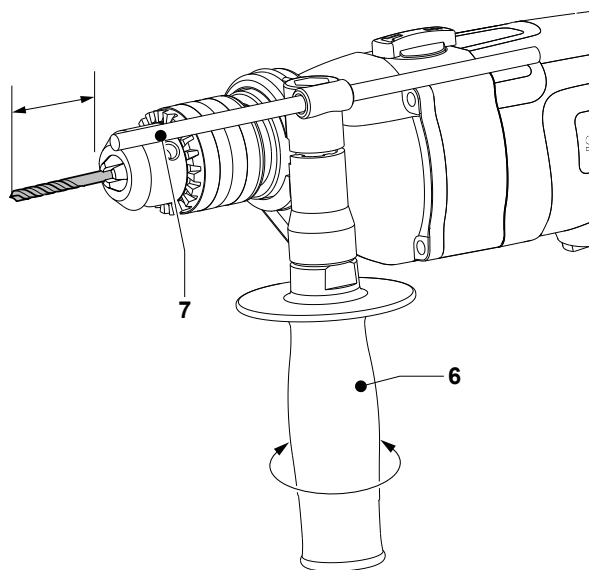
dois ano de garantia total

Se o seu produto STANLEY ficar defeituoso devido a materiais ou mão-de-obra defeituosos em 24 meses a contra da data da compra, STANLEY Europe garante a substituição de todas as peças defeituosas sem custos – por nossa conta – substitui a unidade sem custos dado que:

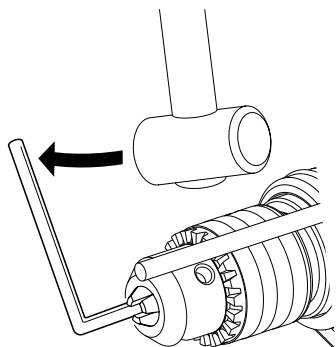
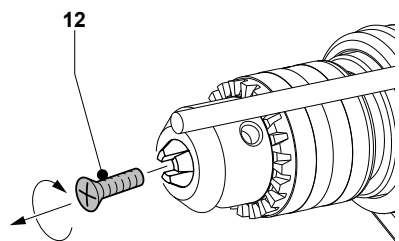
- O produto não foi mal usado e foi usado de acordo com o manual de instruções.
- O produto foi sujeito a uso e desgaste justo;
- Não foram tentadas reparações feitas por pessoas não autorizadas;
- É fornecida um comprovativo de compra.
- O produto STANLEY é devolvido com todos os seus componentes originais.

Se quiser apresentar uma reclamação, contacte o seu vendedor ou verifique a localização do agente de reparações Stanley autorizado no catálogo ou contacte com o seu escritório local nos endereços indicados neste manual. Uma lista de agentes autorizados de reparação Stanley e detalhes completos dos nossos serviços pós-venda estão disponíveis na internet em: www.stanleytools.com

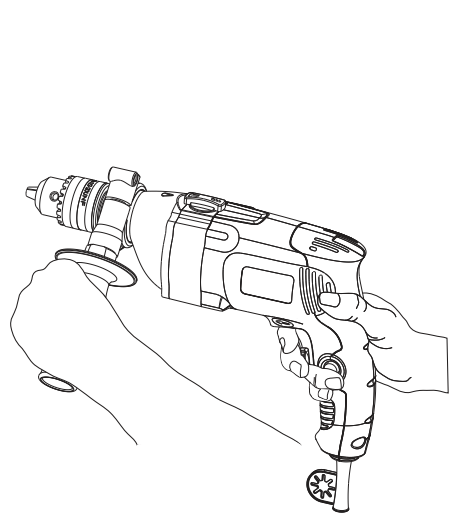




C



D



E

Технические данные

Ударная дрель		STDH8013
Напряжение	V	230
Частота	Hz	50
Входная мощность	W	800
Скорость без нагрузки	/мин	0-3000
Частота ударов	IPM	0-54000
Обороты вперед/назад		Да
Объем зажимного патрона	мм	1,5-13
Максимальная емкость		
Бетон	мм	16
Металл	мм	13
Дерево	мм	32
Вес	кг	2,5

Использование по назначению

Ваша ударная дрель STANLEY была разработана для сверления отверстий в древесине, металле и бетоне. Этот инструмент предназначен только для бытового использования.

Общие предупреждения по технике безопасности электроинструментов

Внимание! Ознакомьтесь со всеми правилами безопасности и инструкциями.



Несоблюдение предупреждений и инструкций, указанных ниже, может привести

к поражению электрическим током, пожару и/или серьезной травме.

Сохраните все предупреждения и инструкции для будущего использования.

Термин "электроинструмент" во всех предупреждениях, указанных ниже, относится к вашему сетевому (с кабелем) электроинструменту или аккумуляторному электроинструменту (без кабеля питания).

1. Безопасность рабочего места

a. **Содержите рабочее место в чистоте и хорошо освещенным.** Беспорядок на рабочем месте или отсутствие освещения рабочего места может привести к аварии.

b. **Не работайте с электроинструментом в месте хранения взрывоопасных материалов, например, в присутствии огнеопасных жидкостей, газов или пыли.** Электрические инструменты создают искры, которые могут воспламенить пыль или пары.

c. **Дети и посторонние лица должны находиться как можно дальше во время работы с электроинструментом.** Вы можете отвлечься и потерять контроль.

2. Электробезопасность

a. **Вилка электроинструмента должна соответствовать розетке. Никогда не модифицируйте вилку каким-либо образом. Не используйте никакие вилки-переходники с заземленными (замкнутыми на землю) электроинструментами.** Вилки и розетки, которые не подвергались никаким изменениям снижают риск поражения электрическим током.

b. **Избегайте контакта тела с заземленными поверхностями, такими как трубы, радиаторы, плиты и холодильники.** Существует повышенный риск поражения электрическим током, если ваше тело заземлено.

c. **Избегайте любого воздействия дождя или влаги на электроинструменты.** Вода, попавшая в электроинструмент, увеличивает риск поражения электрическим током.

d. **Аккуратно обращайтесь со шнуром питания. Никогда не используйте шнур питания для переноски, перемещения или извлечения вилки из розетки. Держите шнур вдали от источников тепла, масла, острых краев или движущихся частей.** Поврежденные или запутанные шнуры увеличивают риск поражения электрическим током.

e. **При работе с электроинструментом на улице, используйте удлинитель, подходящий для наружного использования.** Использование кабеля, пригодного для использования на открытом воздухе, снижает риск поражения электрическим током.

f. **При необходимости работы с электроинструментом во влажной среде, используйте устройство защитного отключения (УЗО).** Использование УЗО снижает риск поражения электрическим током. Примечание: Термин "устройство защитного отключения (УЗО)" может быть заменен на "аварийный прерыватель заземления" или "автоматический выключатель тока утечки".

3. Личная безопасность

a. **Будьте внимательны, смотрите, что вы делаете, используйте здравый смысл при работе с электроинструментом. Не используйте электроинструмент, если вы устали или находитесь под влиянием наркотиков, алкоголя или лекарств.** Малейшая неосторожность при работе с электроинструментом может привести к серьезным травмам.

b. **Используйте средства индивидуальной защиты. Всегда надевайте защитные очки. Другое защитное оборудование, включая респиратор, ботинки на нескользящей подошве, защитный шлем или средства защиты органов слуха, используемые в надлежащих условиях, уменьшат риск получения травмы.**

c. **Для предотвращения случайного запуска, убедитесь, что переключатель находится в выключенном положении перед подключением к источнику питания и/или аккумуляторной батарее, поднятия или переноски инструмента.** Не переносите электроинструмент с пальцем на выключателе и не включайте питание на инструмент с включенным выключателем, что может привести к несчастному случаю.

d. **Перед включением электроинструмента снимайте регулировочный или гаечный ключ.** Гаечный или регулировочный ключ, оставленный на вращающейся части электроинструмента, может привести к травме.

e. **Не тянитесь. Сохраняйте правильную стойку и баланс все время.** Это позволяет лучше контролировать инструмент в неожиданных ситуациях.

f. **Одевайтесь правильно. Не надевайте свободную одежду или украшения. Держите волосы, одежду и перчатки вдали от движущихся частей.** Свободная одежда, украшения или длинные волосы могут попасть в движущиеся части.

g. **Если имеются устройства для подключения пылесборника или вытяжки, убедитесь в том, что они подсоединены и используются правильно.** Использование пылесборника снижает вероятность возникновения рисков, связанных с пылью.

4. Использование и уход за электроинструментом

a. **Не перегружайте электроинструмент. Используйте подходящий электрический**

инструмент для соответствующего применения.

Правильно подобранный электроинструмент позволит выполнить работу лучше и безопаснее при скорости, для которой он был разработан.

- b. **Не используйте электроинструмент, если переключатель не может его включить и выключить.** Любой электроинструмент, который нельзя контролировать с помощью переключателя, опасен и должен быть отремонтирован.
- c. **Отключите кабель питания от источника питания и/или аккумуляторный блок от электрического инструмента перед выполнением любых регулировок, замены принадлежностей или при хранении электроинструмента.** Такие профилактические меры безопасности уменьшают риск непреднамеренного запуска электрического инструмента.
- d. **Храните неиспользуемые электроинструменты в недоступном для детей месте и не позволяйте лицам, не знакомым с электроинструментом или данными инструкциями, работать с электроинструментом.** Электроинструменты опасны в руках неопытных пользователей.
- e. **Поддержание электроинструмента. Проверяйте разрегулированность или соединение подвижных частей, поломки частей и любые другие условия, которые могут повлиять на работу электроинструмента. При наличии повреждения, отремонтируйте электроинструмент перед использованием.** Многие несчастные случаи являются следствием плохого ухода за электроинструментом.
- f. **Держите режущий инструмент острым и чистым.** Хорошо ухоженный режущий инструмент с острыми режущими кромками легче контролировать.
- g. **Используйте электроинструмент, аксессуары и насадки в соответствии с данными инструкциями, принимая во внимание условия работы и те работы, которые должны быть выполнены.** Использование электроинструмента для операций, отличающихся от тех, для которых он предназначен, может привести к опасной ситуации.

5. Обслуживание

a. **Обеспечьте, чтобы обслуживание и ремонт вашего электроинструмента проводился в авторизованном сервисном центре по ремонту с использованием только оригинальных запасных частей.** Это станет гарантией безопасности электроинструмента.

Дополнительные меры безопасности для электроинструментов



Предостережение! Дополнительные меры безопасности для дрелей и ударных дрелей

Правила техники безопасности при работе с дрелью

- **Надевайте защитные наушники при сверлении.** Воздействие шума может привести к потере слуха.
- **Используйте дополнительные рукоятки, если они входят в комплект поставки инструмента.** Потеря контроля может привести к травме.
- **Держите инструмент за изолированные поверхности во время работы, при которой режущий инструмент может задеть скрытую проводку или собственный кабель.** При контакте режущего аксессуара с «живым» проводом или открытыми металлическими частями электроинструмента оператора может ударить электрическим током.
- Используйте тиски или другое подходящее приспособление для обеспечения и поддержания обрабатываемого изделия на устойчивой платформе. Проведение работы по направлению руки или против вашего тела, лишающее устойчивости и может привести к потере контроля.
- Перед сверлением стен, полов и потолков, проверьте местоположение электропроводки и труб.
- Не прикасайтесь к кончику сверла сразу после окончания сверления, так как оно может быть горячим.
- Этот инструмент не предназначен для использования лицами (включая детей) с ограниченными физическими, чувствительными или умственными способностями или с недостатком опыта или знаний, если они не были под контролем и руководством лица, контролирующего использование инструмента или лицом, ответственным за их безопасность. Дети должны быть под присмотром взрослых, чтобы не допустить никаких игр с инструментом.
- Назначение инструмента описывается в данном руководстве. Использование любых аксессуаров или приспособлений, выполнение любых операций с помощью этого инструмента, не рекомендованных в данном руководстве, может представлять опасность получения травм и/или повреждения имущества.

Безопасность посторонних лиц

- Этот инструмент не предназначен для использования лицами (включая детей) с ограниченными физическими, чувствительными или

умственными способностями или с недостатком опыта или знаний, если они не были под контролем и руководством лица, контролирующего использование инструмента или ответственным за их безопасность.

- Дети должны быть под присмотром взрослых, чтобы не допустить никаких игр с инструментом.

Остаточные риски

Дополнительные остаточные риски могут возникнуть при использовании инструмента, которые не включены в описанные здесь правила техники безопасности. Эти риски могут возникнуть при неправильном или продолжительном использовании изделия и т.п. Несмотря на соблюдение соответствующих правил техники безопасности и использование предохранительных устройств, некоторых остаточных рисков невозможно избежать. Они включают в себя:

- Травмы в результате касания вращающихся/движущихся частей.
- Риск получения травмы во время смены деталей инструмента, ножей или насадок
- Травмы, вызванные продолжительным использованием инструмента. При использовании инструмента в течение продолжительного периода времени делайте регулярные перерывы в работе.
- Плохой слух.
- Ущерб здоровью в результате вдыхания пыли при использовании инструмента (пример: работа с деревом, в особенности, древесиной дуба, бука и древесноволокнистой плитой средней плотности).

Этикетки на инструменте

Этикетка на вашем инструменте может включать следующие символы:



Читайте инструкции по эксплуатации



Используйте средства защиты глаз



Используйте средства защиты органов слуха

Гц Герц

Вт Ватт

мин..... минуты

~ Переменный ток

==== Постоянный ток

В Вольт

А Ампер

л₀ Скорость без нагрузки



..... Конструкция класса II



..... Терминал заземления



..... Символ предупреждения об опасности



..... обороты или возвратно-поступательное движение в минуту

Положение даты штрих-кода

Дата кода, который также включает год изготовления, печатается на корпусе.

Пример:

2014 XX JN
Год изготовления

Электрическая безопасность

Ваше зарядное устройство защищено двойной изоляцией, поэтому заземляющий провод не требуется. Всегда проверяйте, чтобы напряжение сети соответствовало напряжению, указанному на заводской табличке. Никогда не пытайтесь заменить зарядный блок стандартным сетевым штепселем.

- Если шнур питания поврежден, он должен быть заменен производителем или уполномоченным сервисным центром STANLEY для того, чтобы избежать опасности.

Использование удлинителя

- Если необходим удлинительный кабель, используйте утвержденный кабель-удлинитель, подходящий для входной мощности данного инструмента (см технические данные). Минимальный размер проводника 1,5 мм².

При использовании кабельного барабана, всегда разматывайте кабель полностью.

Также смотрите в таблице ниже.

Размер проводника (мм ²)	Номинальная мощность (Амперы)						
0,75	6						
1,00	10						
1,50	15						
2,50	20						
4,00	25						
Длина кабеля (м)							
7.5 15 25 30 45 60							
Напряжение	Ампер	Номинальная мощность (Амперы)					
115	0 - 2,0	6	6	6	6	6	10
	2,1 - 3,4	6	6	6	6	15	15
	3,5 - 5,0	6	6	10	15	20	20
	5,1 - 7,0	10	10	15	20	20	25
	7,1 - 12,0	15	15	20	25	25	-
230	12,1 - 20,0	20	20	25	-	-	-
	0 - 2,0	6	6	6	6	6	6
	2,1 - 3,4	6	6	6	6	6	6
	3,5 - 5,0	6	6	6	6	10	15
	5,1 - 7,0	10	10	10	10	15	15
	7,1 - 12,0	15	15	15	15	20	20
	12,1 - 20,0	20	20	20	20	25	-

- Проверьте, не поврежден ли инструмент, детали и аксессуары, которые могут произойти во время транспортировки.
- Потратьте время, чтобы внимательно прочитать и понять данную инструкцию перед началом работы.

Описание (рис. А)

1. Переключатель плавного хода
2. Фиксатор клавиши
3. Ползунок вперед/назад
4. Селектор режима
5. Вентиляционные отверстия
6. Боковая рукоятка
7. Рычаг регулировки глубины
8. Кнопочный патрон
9. Рукав
10. Ключ патрона
11. Быстрый набор

Сборка

Предостережение! Перед сборкой, пожалуйста, убедитесь, что электроинструмент выключен и вилка шнура питания инструмента отключена от источника питания.

Выберите режим работы (рис В). Этот инструмент может быть использован в двух режимах:

Вращательное сверление: для стали, дерева и пластмасс.

Ударное сверление: одновременное вращение и осуществление буровых работ в бетонной и каменной кладке.

- Выберите нужный режим работы, установив переключатель режимов (4) в требуемое положение.

Установка и снятие сверла (рис. А)

Кнопочный патрон

- Откройте сверлильный патрон, повернув втулку (9) против часовой стрелки и вставьте сверло.
- Поместите ключ зажимного патрона (10) в каждое отверстие в боковой части патрона и поверните по часовой стрелке до упора.

- Для удаления сверла, действуйте в обратном порядке.

Установка боковой рукоятки (рис. А)

Боковая рукоятка (6) может быть установлена для удобства как правой, так и левой.



Всегда используйте дрель с правильно установленной боковой рукояткой.

- Ослабьте боковую рукоятку.
- Для правой, сдвиньте боковую рукоятку зажима над воротником за патроном, рукоятка слева.
- Для левой, сдвиньте боковую рукоятку зажима над воротником за патроном, рукоятка справа.
- Поверните боковую рукоятку в желаемое положение и затяните ручку.

Установка глубины сверления (Рис. С)

- Вставьте нужное сверло в патрон.
- Ослабьте вспомогательную рукоятку (6).
- Установите рычаг регулировки глубины (7) через отверстие в зажиме боковой ручки.
- Отрегулируйте глубину сверления, как показано на рисунке.
- Затяните боковую рукоятку.

Ползунок вперед/назад (рис. А)

- Для выбора вращения вперед или назад, используйте переключатель вперед/назад (3) (см. на стрелку на инструменте).



Обязательно дождитесь, чтобы двигатель полностью остановился перед изменением направления вращения.

Удаление патрона (рис. D)

- Откройте зажимы патрона, насколько это возможно
- Вставьте отвертку в патрон и снимите винт, фиксирующий патрон (12), повернув по часовой стрелке.
- Затяните шестигранный ключ в патроне и ударьте по нему молотком, как показано на рисунке.

Инструкция по применению

- Всегда соблюдайте инструкции по технике безопасности, а также другие предписания.
- Необходимо знать о местонахождении трубопроводов и электропроводки.
- Применяйте только легкое надавливание на инструмент. Чрезмерное надавливание не ускоряет сверление, а снижает производительность инструмента и может сократить срок его службы.
- Надевайте защитные наушники при работе с ударной дрелью. Шум может привести к потере слуха.
- Используйте дополнительные ручки, поставляемые с инструментом. Потеря контроля может привести к травме.
- Держите инструмент за изолированные поверхности при выполнении действий, при которых режущий инструмент может задеть скрытую проводку или собственный кабель. При контакте с «живым» проводом, металлические части электроинструмента могут привести к удару электрическим током.
- При работе с электроинструментом в сыром месте, используйте устройство защитного отключения (УЗО). Использование УЗО снижает риск поражения электрическим током.

До работы

- Вставьте соответствующее сверло.
- Отметьте место, где должно быть просверлено отверстие.

Правильное положение рук (рис. А, Е)



Предупреждение: Чтобы уменьшить риск получения серьезной травмы, ВСЕГДА держите руки в правильном положении, как показано на рисунке.



Предупреждение: Чтобы уменьшить риск получения серьезной травмы, ВСЕГДА надежно удерживайте инструмент для предупреждения внезапной реакции.

Для правильного положения рук во время работы необходимо, чтобы одна рука была на боковой рукоятке (6), а другая на главной ручке.

Включение и выключение

- Чтобы включить инструмент, нажмите переключатель плавного хода (1). Скорость инструмента зависит от того, насколько вы нажмете выключатель.
- Для непрерывной работы нажмите фиксатор клавиши (2) и отпустите переключатель плавного хода. Эта опция доступна только на полной скорости.
- Чтобы включить инструмент, отпустите кнопку переключателя плавного хода. Чтобы выключить инструмент при работе в непрерывном режиме, нажмите клавишу переключателя плавного хода еще раз и отпустите его.
- В зависимости от применения, поверните ручку быстрого набора (11) для достижения максимальной скорости.

Сверление в металле.

Начинайте сверление с низкой скоростью, постепенно увеличивая мощность и применяя сильное надавливание на инструмент. Спокойный, ровный выход металлической стружки указывает на правильную частоту сверления. Используйте режущую смазку при сверлении металлов. Исключения составляют чугун и латунь, которые необходимо сверлить сухими.

Примечание: Отверстия большего диаметра [5/16" (8 мм) до 1/2" (13 мм)] в стали легче просверлить, если сначала сделать пилотное отверстие [5/32" (4 мм), 3/16" (5 мм)].

Сверление в дереве.

Начинайте сверление с низкой скоростью, постепенно увеличивая мощность и применяя сильное надавливание на инструмент. Отверстия в дереве могут быть сделаны теми же сверлами, которые используются для металла. Сверла могут перегреваться, периодически вынимайте их из отверстия. Заготовки, от которых могут лететь осколки, должны быть усилены блоком древесины.

Бурение в кладке.

При бурении в кирпичной кладке, используйте сверла из твердых сплавов, рассчитанные для ударного сверления и обязательно убедитесь, что, сверла достаточно острые. Используйте постоянное и уверенное надавливание на инструмент, для наиболее эффективного сверления. Гладкий, ровный поток пыли указывает на правильную частоту бурения.

Завинчивание

- Выберите прямое или обратное вращение

Ударное сверление (рис. А)

- Выберите режим
- Нажмите выключатель (1).

Вращательное сверление (рис. А)

- Выберите режим поворотного сверления
- Действуйте согласно инструкции для ударного сверления.

Обратитесь к своему дилеру для получения дополнительной информации о соответствующих аксессуарах.

Аксессуары

Производительность электроинструмента зависит от его аксессуаров. Аксессуары STANLEY разработаны в соответствии с высокими стандартами качества, чтобы повысить производительность электроинструмента. Использование этих аксессуаров может помочь вам удобно работать с инструментом.

Обслуживание

Проводные и беспроводные инструменты STANLEY имеют сложные конструкции и могут быть использованы в течение длительного времени при минимальном техническом обслуживании. Для последовательного удовлетворительного использования, необходимо надлежащее техническое обслуживание и регулярная чистка инструмента.

Предостережение! Перед выполнением любых работ по техобслуживанию проводных/беспроводных электрических инструментов, необходимо выполнить следующие требования:

- Выключите питание оборудования/инструментов и вытащите вилку;
- Если оборудование/инструмент имеют независимую аккумуляторную батарею, пожалуйста, выключите питание и извлеките аккумулятор из оборудования/инструмента.
- Если оборудование/инструменты оснащены встроенным аккумулятором, пожалуйста, вытащите из него батарейку, перед выключением питания.

- Перед чисткой отключите вилку зарядного устройства от источника питания. Кроме того, за исключением регулярной чистки вашего зарядного устройства, другое обслуживание не требуется.
- Регулярно используйте мягкую щетку или сухую тряпку для очистки вентиляционных отверстий оборудования/инструментов/зарядного устройства.
- Регулярно используйте влажную ткань для очистки корпуса двигателя. Пожалуйста, не используйте абразивные чистящие средства или чистящие средства на основе растворителей.
- Регулярно открывайте патрон и поверните его осторожно, чтобы удалить какую-либо пыль внутри (после установки).



Чистка



Предостережение! Если вы видите пыль на и/или вокруг вентиляционных портов, немедленно удалите пыль из корпуса при помощи чистого сухого воздуха. Для выполнения этой процедуры, пользуйтесь соответствующими средствами обеспечения безопасности и респиратором.



Предостережение! Строго запрещено очищать неметаллические детали инструмента с помощью растворителей или других раздражающих химических веществ. Эти химикаты могут нанести вред материалам, из которых изготовлены данные компоненты. Для чистки используйте ткань, смоченную в слабом мыльном растворе. Не допускайте попадания вещества внутрь инструмента и не опускайте какую-либо часть инструмента в жидкость.

Информационная служба

STANLEY предлагает полную сеть авторизованных сервисных центров, принадлежащих компании по всей Азии. Все сервисные центры STANLEY укомплектованы персоналом, прошедшим обучение, чтобы предоставить клиентам эффективный и надежный сервис. Независимо нужен ли вам технический совет, ремонт или оригинальные запасные части, вам необходимо обратиться в ближайший к вам сервисный центр STANLEY.

Примечания

- Политика STANLEY является процессом непрерывного совершенствования нашей продукции и, таким образом, мы оставляем за собой право

изменять спецификацию продукта без предварительного уведомления.

- Стандартное оборудование и аксессуары могут варьировать в зависимости от страны.
- Характеристики могут различаться в зависимости от страны.
- Полный ассортимент продукции может варьировать в зависимости от страны. Свяжитесь с вашим местным дилером STANLEY для получения информации о наличных моделях.

Защита окружающей среды



Раздельный сбор и утилизация. Этот продукт не следует утилизировать вместе с бытовым мусором.

Если вы поймете, что ваш продукт Stanley нуждается в замене, или если он не имеет никакого дальнейшего применения для вас, не выбрасывайте его вместе с бытовыми отходами. Предоставьте этот продукт для раздельного сбора/утилизации.



Раздельный сбор продуктов и упаковок позволяет осуществить их переработку и использовать их повторно. Повторное использование переработанных материалов помогает защищать окружающую среду от загрязнения и снижает расход сырьевых материалов.

Местное законодательство может обеспечить сбор старых электроинструментов отдельно от бытового мусора на муниципальных свалках отходов или в торговом предприятии при покупке нового изделия. Stanley обеспечивает возможность для сбора и утилизации продуктов Stanley, как только они достигли конца своего срока службы. Для того чтобы воспользоваться этой услугой, вы можете сдать ваше изделие в любой авторизованный сервисный центр, который собирает их по нашему поручению.

Вы можете узнать место нахождения вашего ближайшего авторизованного сервисного центра, обратившись в местное отделение Stanley по адресу, указанному в данном руководстве. Кроме того, список авторизованных ремонтных агентов Stanley и полную информацию о нашем послепродажном обслуживании и контактах вы можете найти в Интернете: www.2helpU.com10

Два год полной гарантии

Если ваш продукт STANLEY выходит из строя из-за дефектных материалов или изготовления в течение 24 месяцев с даты покупки, STANLEY Europe гарантирует замену всех неисправных деталей бесплатно или - по своему усмотрению - замену продукта бесплатно при условии, что:

- Продукт использовался правильно, его эксплуатация проводилась строго в соответствии с инструкцией по эксплуатации.
- Продукт подвергался естественному износу;
- Ремонт не проводился посторонними лицами;
- Представлены документы, подтверждающие покупку.
- Продукт STANLEY возвращается в полном комплекте со всеми оригинальными компонентами

Если вы хотите сделать заявку, свяжитесь с продавцом или узнайте место нахождения вашего ближайшего авторизованного сервисного агента Stanley в каталоге Stanley или обратитесь в местное представительство Stanley по адресу, указанному в данном руководстве. Список авторизованных сервисных агентов Stanley и полную информацию о нашем послепродажном обслуживании можно найти в Интернете по адресу: www.stanleytools.com

STANLEY

Гарантийные условия

Уважаемый покупатель!

1. Поздравляем Вас с покупкой высококачественного изделия STANLEY и выражаем признательность за Ваш выбор.
2. При покупке изделия требуйте проверки его комплектности и исправности в Вашем присутствии, инструкцию по эксплуатации и заполненный гарантийный талон на русском языке.

В гарантийном талоне должны быть внесены: модель, дата продажи, серийный номер, дата производства инструмента; название, печать и подпись торговой организации. При отсутствии у Вас правильно заполненного гарантийного талона, а также несоответствия указанных в нем данных мы будем вынуждены отклонить Ваши претензии по качеству данного изделия.

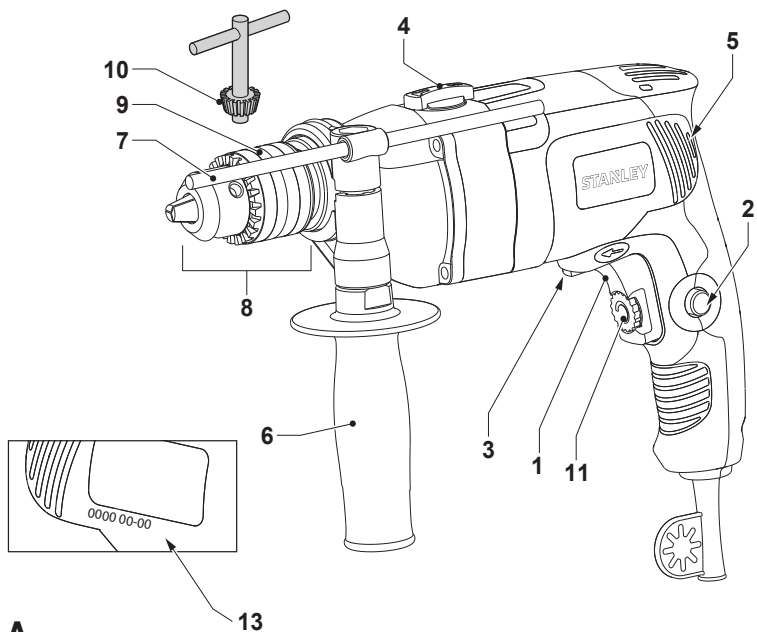
3. Во избежание недоразумений убедительно просим Вас перед началом работы с изделием внимательно ознакомиться с инструкцией по его эксплуатации. Правовой основой настоящих гарантийных условий является действующее Законодательство. Гарантийный срок на данное изделие составляет 24 месяца и исчисляется со дня продажи. В случае устранения недостатков изделия, гарантийный срок продлевается на период его нахождения в ремонте. Срок службы изделия составляет 5 лет со дня продажи.
4. В случае возникновения каких-либо проблем в процессе эксплуатации изделия рекомендуем Вам обратиться в уполномоченные сервисные центры STANLEY, адреса и телефоны которых Вы сможете найти в гарантийном талоне, на сайте www.2helpU.com или узнать в магазине. Наши сервисные станции - это не только квалифицированный ремонт, но и широкий ассортимент запчастей и принадлежностей.
5. Производитель рекомендует проводить периодическую проверку и техническое обслуживание изделия в уполномоченных сервисных центрах.

EAC

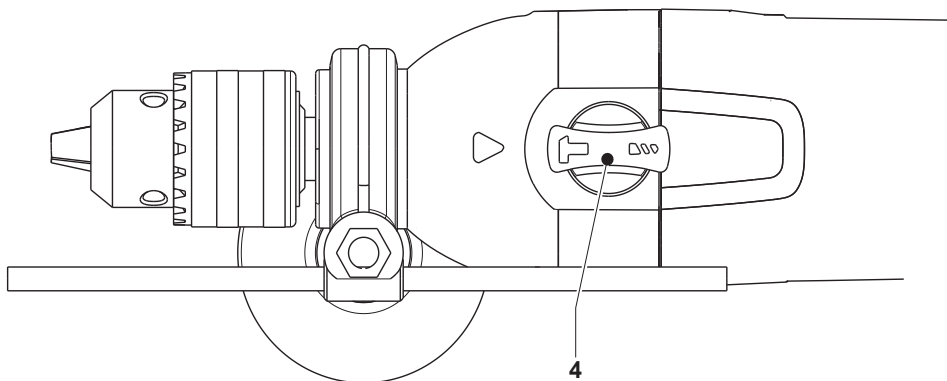
Изготовитель

Блэк энд Деккер Холдингс ГмБХ
Германия, 65510, Идштайн,
ул. Блэк энд Деккер, 40

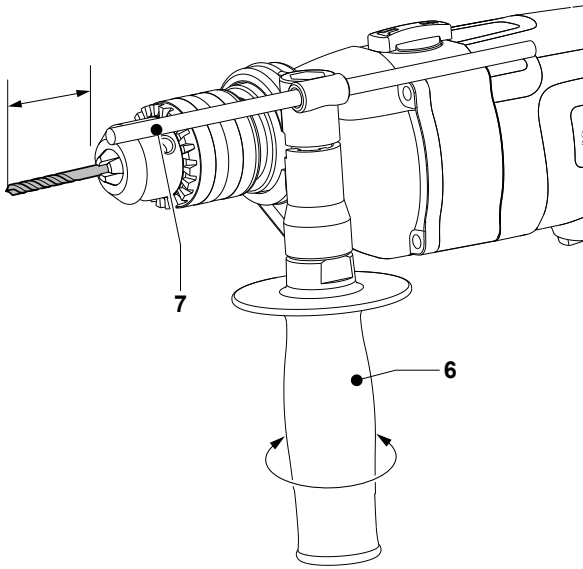
6. Наши гарантийные обязательства распространяются только на неисправности, выявленные в течение гарантийного срока и вызванные дефектами производства и/или материалов.
7. **Гарантийные условия не распространяются на неисправности изделия, возникшие в результате:**
 - 7.1. Несоблюдения пользователем предписаний инструкции по эксплуатации изделия, применения изделия не по назначению, неправильному хранению, использования принадлежностей, расходных материалов и запчастей, не предусмотренных производителем.
 - 7.2. Механического повреждения (сколы, трещины и разрушения) внутренних и внешних деталей изделия, основных и вспомогательных рукояток, сетевого электрического кабеля, вызванного внешним ударным или любым иным воздействием
 - 7.3. Попадания в вентиляционные отверстия и проникновение внутрь изделия посторонних предметов, материалов или веществ, не являющихся отходами, сопровождающими применение изделия по назначению, такими как: стружка, опилки, песок, и пр.
 - 7.4. Воздействий на изделие неблагоприятных атмосферных и иных внешних факторов, таких как дождь, снег, повышенная влажность, нагрев, агрессивные среды, несоответствие параметров питающей электросети, указанных на инструменте.
 - 7.5. Стихийного бедствия. Повреждение или утрата изделия, связанное с непредвиденными бедствиями, стихийными явлениями, в том числе вследствие действия непреодолимой силы (пожар, молния, потоп и другие природные явления), а так же вследствие перепадов напряжения в электросети и другими причинами, которые находятся вне контроля производителя.
8. **Гарантийные условия не распространяются:**
 - 8.1. На инструменты, подвергавшиеся вскрытию, ремонту или модификации вне уполномоченного сервисного центра.
 - 8.2. На детали и узлы, имеющие следы естественного износа, такие как: приводные ремни и колеса, угольные щетки, смазка, подшипники, зубчатое зацепление редукторов, резиновые уплотнения, сальники, направляющие ролики, муфты, выключатели, бойки, толкатели, стволы, и т.п.
 - 8.3. На сменные части: патроны, цанги, зажимные гайки и фланцы, фильтры, аккумуляторные батареи, ножи, шлифовальные подошвы, цепи, звездочки, пильные шины, защитные кожухи, пилки, абразивы, пильные и абразивные диски, фрезы, сверла, буры и т.п.
 - 8.4. На неисправности, возникшие в результате перегрузки инструмента (как механической, так и электрической), повлекшей выход из строя одновременно двух и более деталей и узлов, таких как: ротора и статора, обеих обмоток статора, ведомой и ведущей шестерни редуктора или других узлов и деталей. К безусловным признакам перегрузки изделия относятся, помимо прочего: появление цветов побежалости, деформация или оплавление деталей и узлов изделия, потемнение или облупливание изоляции проводов электродвигателя под воздействием высокой температуры.



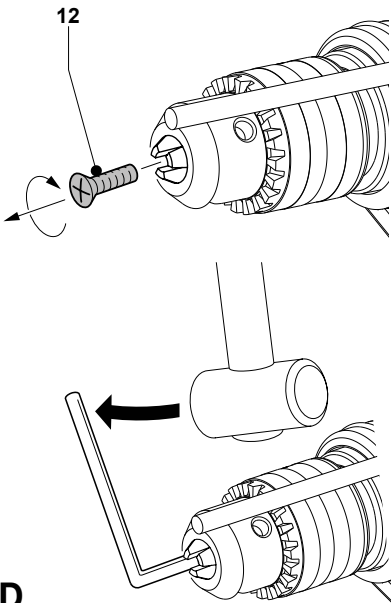
A



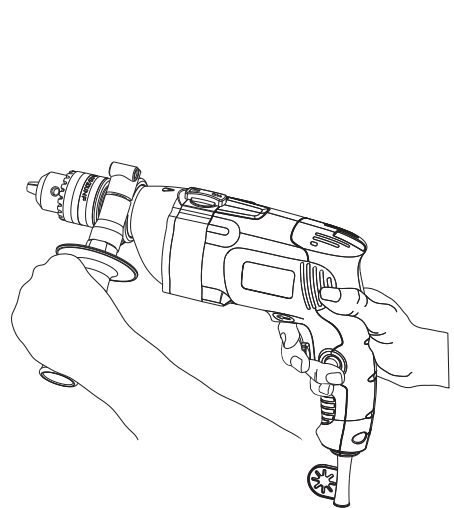
B



C



D



E

Технічні дані

Ударний дріль		STDH8013
Напруга	V	230
Частота	Hz	50
Вхідна потужність	W	800
Швидкість без навантаження	/мин	0-3000
Частота ударів	IPM	0-54000
Обороти вперед/назад		Так
Обсяг затискного патрона	мм	1,5-13
Максимальна ємність		
Бетон	мм	16
Метал	мм	13
Дерево	мм	32
Вага	кг	2,5

Використання за призначенням

Ваш ударний дріль STANLEY був розроблений для свердління отворів в деревині, металі і бетоні. Цей інструмент призначений лише для побутового використання.

Загальні попередження з техніки безпеки електроінструментів



Увага! Ознайомтеся з усіма правилами безпеки та інструкціями. Недотримання попереджень та інструкцій, зазначених нижче,

може призвести до ураження електричним струмом, пожежі та/або серйозної травми.

Збережіть всі попередження та інструкції для майбутнього використання.

Термін "електроінструмент" у всіх попередженнях, зазначених нижче, відноситься до мережевого (з кабелем) електроінструменту або акумуляторної батареї (без кабелю живлення).

1. Безпека робочого місця

a. **Утримуйте робоче місце в чистоті і добре освітленим.** Безлад на робочому місці або відсутність освітлення робочого місця може

призвести до аварії.

- b. **Не працюйте з електроінструментом в місці зберігання вибухонебезпечних матеріалів, наприклад, у присутності легкозаймистих рідин, газів або пилу.** Електричні інструменти створюють іскри, що можуть запалити пил або пари.
- c. **Діти і сторонні особи повинні знаходитися якнайдалі під час роботи з електроприладами.** Ви можете відволіктися і втратити контроль.

2. Електробезпека

- a. **Вилка електроінструмента повинна відповідати розетці. Ніколи не змінюйте вилку будь-яким чином. Не використовуйте ніякі вилки-перехідники з заземленими (замкнутими на землю) електроінструментами.** Вилки і розетки, які не піддавалися ніяким змінам знижують ризик ураження електричним струмом.
- b. **Уникайте контакту тіла з заземленими поверхнями, такими як труби, радіатори, плити та холодильники.** Існує підвищений ризик ураження електричним струмом, якщо ваше тіло заземлене.
- c. **Уникайте будь-якого впливу дощу або вологи на електроінструменти.** Вода, що потрапила в електроінструмент, збільшує ризик ураження електричним струмом.
- d. **Обережно поведіться зі шнуром живлення. Ніколи не використовуйте шнур живлення для перенесення, переміщення або вилучення вилки з розетки. Тримайте шнур подалі від джерел тепла, масла, гострих країв або рухомих частин.** Пошкоджені або заплутані шнури збільшують ризик ураження електричним струмом.
- e. **При роботі з електроінструментом на вулиці, використовуйте подовжувач, відповідний для зовнішнього використання.** Використання кабелю, придатного для використання на відкритому повітрі, знижує ризик ураження електричним струмом.
- f. **При необхідності роботи з електроінструментом у вологому середовищі, використовуйте пристрій захисного відключення (ПЗВ).** Використання ПЗВ знижує ризик ураження електричним струмом.
Примітка: Термін "пристрій захисного відключення (ПЗВ)" може бути замінений на "аварійний переривач заземлення" або "автоматичний вимикач струму витоку".

3. Особиста безпека

- a. **Будьте уважні, дивіться, що ви робите, використовуйте здоровий глузд при роботі з електроприладами. Не використовуйте електроінструмент, якщо ви втомилися або перебуваєте під впливом наркотиків, алкоголю або ліків. Найменша необережність при роботі з електроінструментом може призвести до серйозних травм.**
- b. **Використовуйте засоби індивідуального захисту. Завжди надягайте захисні окуляри. Інше захисне обладнання, включаючи респіратор, черевики на нековзній підшві, захисний шолом або засоби**

захисту органів слуху, використовувани в належних умовах, зменшать ризик отримання травми.

- c. **Для запобігання випадкового запуску, переконайтеся, що перемикач знаходиться у вимкненому положенні перед підключенням до джерела живлення та/або акумуляторної батареї, підняття або перенесення інструменту. Не переносьте електроінструмент з пальцем на вимикачі і не включайте електроживлення на інструмент з увімкненим вимикачем, що може призвести до нещасного випадку.**

- d. **Перед включенням електроінструменту знімайте регульовальний або гайковий ключ. Гайковий або регульовальний ключ, залишений на обертовій частині електроінструменту, може призвести до травми.**

- e. **Не тягніться. Зберігайте правильну стійку і баланс весь час. Це дозволяє краще контролювати інструмент в несподіваних ситуаціях.**

- f. **Одягайтеся правильно. Не надягайте вільний одяг або прикраси. Тримайте волосся, одяг і рукавички далеко від рухомих частин. Вільний одяг, прикраси або довге волосся можуть потрапити в рухому частину.**

- g. **Якщо є пристрої для підключення пілозбірника або витяжки, переконайтеся в тому, що вони під'єднані і використовуються правильно. Використання пілозбірника знижує ймовірність виникнення ризиків, пов'язаних з пилом.**

4. Використання та догляд за електроінструментом

- a. **Не перевантажуйте електроінструмент. Використовуйте відповідний електричний інструмент для відповідного застосування. Правильно підібраний електроінструмент дозволить**

виконати роботу краще і безпечніше при швидкості, для якої він був розроблений.

- b. **Не використовуйте електроінструмент, якщо перемикач не може його включити і вимкнути. Будь-який електроінструмент, який не можна контролювати за допомогою перемикача, є небезпечний і повинен бути відремонтований.**
- c. **Від'єднайте кабель живлення від джерела живлення та/або акумулятора від електричного інструменту перед виконанням будь-яких регулювань, заміни приладдя або при зберіганні електроінструменту. Такі профілактичні заходи безпеки зменшують ризик ненавмисного запуску електричного інструменту.**

- d. **Зберігайте електроприлади в недоступному для дітей місці і не дозволяйте особам, які не знайомі з електричним інструментом або даними інструкціями, працювати з електроприладами. Електроінструменти небезпечні в руках недосвідчених користувачів.**

- e. **Підтримання електроінструменту. Перевіряйте розрегульованість або з'єднання рухомих частин, поломки частин і будь-які інші умови, які можуть вплинути на роботу електроінструменту. При наявності пошкодження, відремонтуйте електроінструмент перед використанням. Багато нещасних випадків є наслідком поганого догляду за електроінструментом.**

- f. **Тримайте ріжучий інструмент гострим і чистим. Добре доглянутий ріжучий інструмент з гострими ріжучими крайками легше контролювати.**

- g. **Використовуйте електроінструмент, аксесуари і насадки відповідно до даних інструкцій, зважаючи на умови роботи, і ті роботи, які мають бути виконані. Використання електроінструменту для операцій, що відрізняються від тих, для яких він призначений, може привести до небезпечної ситуації.**

5. Обслуговування

- a. **Забезпечте, щоб обслуговування і ремонт вашого електроінструменту проводився в авторизованому сервісному центрі по ремонту з використанням тільки оригінальних запасних частин. Це стане гарантією безпеки електроінструменту.**

Додаткові заходи безпеки для електроінструментів



Застереження! Додаткові заходи безпеки для дрилів і ударних дрилів

Правила техніки безпеки при роботі з дрилем

- **Одягайте захисні навушники при роботі з ударними дрелями.** Вплив шуму може призвести до втрати слуху.
- **Використовуйте додаткові ручки, що поставляються з інструментом.** Втрата контролю може призвести до травми.
- **Тримайте інструмент за ізольованій поверхні при виконанні операцій, коли ріжучий інструмент може зачепити приховану проводку.** Ріжучі аксесуари при контакті з «живим» проводом, можуть відкрити металеві частини електроінструменту і вдарити оператора електричним струмом.
- Використовуйте лещата або інший відповідний спосіб, щоб забезпечити і підтримувати оброблюваний виріб на стійкій платформі. Проведення роботи по напрямку руки або проти вашого тіла, позбавляє стійкості і може призвести до втрати контролю.
- Перед свердлінням стін, підлог і стель, перевірте розташування трубпроводів і електропроводки.
- Намагайтеся не доторкатися до кінчика свердла відразу ж після закінчення свердління, так як він може бути гарячим.
- Цей інструмент не призначений для використання особами (включаючи дітей) з обмеженими фізичними, чутливими або розумовими здібностями або з браком досвіду чи знань, якщо вони не були під контролем і керівництвом особи, яка контролює використання приладу або особою, відповідальною за їх безпеку. Діти повинні бути під наглядом дорослих, щоб не допустити ніяких ігор з приладом.
- Призначення приладу описується в цьому посібнику. Використання будь-яких речей або пристосувань, виконання будь-яких операцій за допомогою цього інструменту, які не рекомендовані в цьому посібнику, можуть становити небезпеку отримання травм та/або пошкодження майна.

Безпека сторонніх осіб

- Цей інструмент не призначений для використання особами (включаючи дітей) з обмеженими фізичними, чутливими або розумовими здібностями або з браком досвіду чи знань, якщо вони не були під контролем і керівництвом особи, яка контролює використання приладу або відповідальна за їх безпеку.

- Діти повинні бути під наглядом дорослих, щоб не допустити ніяких ігор з приладом.

Залишкові ризики

Додаткові залишкові ризики можуть виникнути при використанні інструменту, які не можуть бути включені в описані тут правила техніки безпеки. Ці ризики можуть виникнути при неправильному або тривалому використанні виробу і т.п. Незважаючи на дотримання відповідних правил техніки безпеки та використання запобіжних пристроїв, деяких залишкових ризиків неможливо уникнути. Вони включають в себе:

- Травми в результаті торкання до обертових/рухомих частин.
- Ризик отримання травми під час зміни деталей інструменту, ножів або насадок.
- Травми, викликані тривалим використанням інструменту. При використанні інструменту протягом тривалого періоду часу, робіть регулярні перерви в роботі.
- Поганий слух
- Збиток здоров'ю внаслідок вдихання пилу при використанні інструменту (приклад: роботи з деревом, особливо, деревиною дуба, бука і деревоволокнистими плитами середньої щільності)

Електрична безпека



Ваш зарядний пристрій захищено подвійною ізоляцією, тому заземлюючий провід не потрібен. Завжди перевіряйте, щоб напруга мережі відповідала напрузі, вказаній на табличці. Ніколи не намагайтеся замінити зарядний блок стандартним мережевим штепселем.

- Якщо шнур живлення пошкоджений, він повинен бути замінений виробником або уповноваженим сервісним центром STANLEY для того, щоб уникнути небезпеки.

Використання подовжувача

- Якщо необхідний подовжувач, використовуйте затверджений кабель-подовжувач, відповідний для вхідної потужності даного інструменту (див. технічні дані). Мінімальний розмір провідника 1,5 мм².

При використанні кабельного барабана, завжди розмотуйте кабель повністю.

Також дивіться в таблиці нижче.

Розмір провідника (мм ²)	Номінальна потужність (ампери)						
0.75	6						
1.00	10						
1.50	15						
2.50	20						
4.00	25						
Длина кабеля (м)							
7.5 15 25 30 45 60							
Напруга	Ампер	Номінальна потужність (ампери)					
115	0 - 2.0	6	6	6	6	6	10
	2.1 - 3.4	6	6	6	6	15	15
	3.5 - 5.0	6	6	10	15	20	20
	5.1 - 7.0	10	10	15	20	20	25
	7.1 - 12.0	15	15	20	25	25	-
230	12.1 - 20.0	20	20	25	-	-	-
	0 - 2.0	6	6	6	6	6	6
	2.1 - 3.4	6	6	6	6	6	6
	3.5 - 5.0	6	6	6	6	10	15
	5.1 - 7.0	10	10	10	10	15	15
	7.1 - 12.0	15	15	15	15	20	20
	12.1 - 20.0	20	20	20	20	25	-

- Перевірте, чи не пошкоджений інструмент, деталі і аксесуари, які можуть статися під час транспортування.
- Витратьте час, щоб уважно прочитати і зрозуміти цю інструкцію перед початком роботи.

Опис (мал. А)

1. Перемикач плавного ходу
2. Фіксатор клавіші
3. Повзунок вперед/назад
4. Селектор режиму
5. Вентиляційні отвори
6. Бічна рукоятка
7. Важіль регулювання глибини

8. Кнопковий патрон

9. Рукав

10. Ключ патрона

11. Бистрий набір

Збірка

Застереження! Перед складанням, будь ласка, переконайтеся, що електроінструмент вимкнений і вилка шнура живлення інструменту відключена від джерела живлення.

Виберіть режим роботи (мал. В). Цей інструмент може бути використаний у двох режимах:

Обертальне свердління:
для сталі, дерева та пластмас.

Ударне свердління:
одночасне обертання і здійснення бурових робіт в бетонній і кам'яній кладці.

- Оберіть потрібний режим роботи, встановивши перемикач режимів (4) в необхідне положення.

Установка і зняття свердла (мал. А)

Кнопковий патрон

- Відкрийте патрон, повернувши втулку (9) проти годинникової стрілки і вставте свердло.
- Помістіть ключ затискного патрона (10) в кожен отвір в бічній частині патрона і поверніть за годинниковою стрілкою до упору.
- Для видалення свердла, дійте в зворотному порядку.

Установка бічної рукоятки (мал. А)

Бічна рукоятка (6) може бути встановлена для зручності як правшів, так і лівшів.



Завжди використовуйте дріль з правильно встановленою бічною ручкою.

- Послабте бічну рукоятку.
- Для правшів, посуňte бічну рукоятку затиску над комірком за патроном, рукоятка ліворуч.

- Для лівшів, посуňte бічну рукоятку затиску над коміром за патроном, рукоятка праворуч.
- Поверніть бічну рукоятку в бажане положення і затягніть ручку.

Установка глибини свердління (Рис. С)

- Вставте потрібне свердло в патрон.
- Послабте допоміжну рукоятку (6).
- Встановіть важіль регулювання глибини (7) через отвір в затиску бічної ручки.
- Відрегулюйте глибину свердління, як показано на малюнку.
- Затягніть бічну ручку.

Повзунок вперед/назад (мал. А)

- Для вибору обертання вперед або назад, використовуйте перемикач вперед/назад (3) (див. на стрілку на інструменті).



Обов'язково дочекайтеся, щоб двигун повністю зупинився перед зміною напрямку обертання.

Видалення патрона (рис. D)

- Відкрийте затискачі патрона, наскільки це можливо
- Вставте викрутку в патрон і зніміть гвинт, що фіксує патрон (12), повернувши за годинниковою стрілкою.
- Затягніть шестигранний ключ в патроні і вдарте по ньому молотком, як показано на малюнку.

Інструкція по застосуванню

- Завжди дотримуйтесь інструкції з техніки безпеки, а також інших правил.
- Необхідно знати про місцезнаходження трубопроводів і електропроводів.
- Застосовуйте лише легке натискання на інструмент. Надмірне натискання не прискорює свердління, а знижує продуктивність інструменту і може скоротити термін його служби.

- Одягайте захисні навушники при роботі з ударним дрилем. Шум може призвести до втрати слуху.
- Використовуйте додаткові ручки, що поставляються з інструментом. Втрата контролю може призвести до травм.

- Тримайте інструмент за ізольовані поверхні при виконанні дій, при яких ріжучий інструмент може зачепити приховану проводку або власний кабель. При контакті з «живим» проводом, металеві частини електроінструменту можуть привести до удару електричним струмом.

- При роботі з електроінструментом в сирому місці, використовуйте пристрій захисного відключення (ПЗВ). Використання ПЗВ знижує ризик ураження електричним струмом.

До роботи

- Вставте відповідне свердло.
- Відзначте місце, де має бути просвердлений отвір.

Правильне положення рук (рис. А, Е)



Попередження: Щоб зменшити ризик отримання серйозної травми, ЗАВЖДИ тримайте руки в правильному положенні, як показано на малюнку.



Попередження: Щоб зменшити ризик отримання серйозної травми, ЗАВЖДИ надійно утримуйте інструмент для попередження раптової реакції. Для правильного положення рук під час роботи необхідно, щоб одна рука була на бічній рукоятці (6), а інша на головній ручці.

Вмикання і вимикання

- Щоб включити інструмент, натисніть перемикач плавного ходу (1). Швидкість інструменту залежить від того, наскільки ви натиснете вимикач.
- Для безперервної роботи натисніть фіксатор клавіші (2) і відпустіть перемикач плавного ходу. Ця опція доступна тільки на повній швидкості.
- Щоб включити інструмент, відпустіть кнопку перемикача плавного ходу. Щоб вимкнути інструмент при роботі в безперервному режимі, натисніть клавішу перемикача плавного ходу ще раз і відпустіть його.

- Залежно від вживання, оберніть ручку швидкого набору (11) для досягнення максимальної швидкості.

Свердління в метали.

Починайте свердління з низькою швидкістю, поступово збільшуючи потужність і застосовуючи сильне натискання на інструмент. Спокійний, рівний вихід металевої стружки вказує на правильну частоту свердління. Використовуйте мастило при свердлінні металів. Винятки становлять чавун і латунь, які необхідно свердлити сухими.

Примітка: Отвори більшого діаметру [5/16 "(8 мм) до 1/2" (13 мм)] у сталі легше просвердлити, якщо спочатку зробити пілотний отвір [5/32 "(4 мм), 3/16" (5 мм)].

Свердління в дереві.

Починайте свердління з низькою швидкістю, поступово збільшуючи потужність і застосовуючи сильне натискання на інструмент. Отвори в дереві можуть бути зроблені тими ж свердлами, які використовуються для металу. Свердла можуть перегріватися, періодично виймайте їх з отвору. Заготовки, від яких можуть летіти осколки, повинні бути посилені блоком деревини.

Буріння в кладці.

При бурінні в цегляній кладці, використовуйте свердла з твердих сплавів, розраховані для ударного свердління та обов'язково переконайтеся, що свердла досить гострі. Використовуйте постійне і впевнене натиснення на інструмент, для найбільш ефективного свердління. Гладкий, рівний потік пилу вказує на правильну частоту буріння.

Загвинчування

- Виберіть пряме або зворотне обертання

Ударне свердління (мал. А)

- Виберіть режим
- Натисніть вимикач (1).

Обертальне свердління (мал. А)

- Виберіть режим поворотного свердління
- Дійте згідно інструкції для ударного свердління.

Зверніться до свого дилера для отримання додаткової інформації про відповідні аксесуари.

Аксесуари

Продуктивність електроінструменту залежить від його аксесуарів. Аксесуари STANLEY розроблені у відповідності з високими стандартами якості, щоб підвищити продуктивність електроінструменту. Використання цих аксесуарів може допомогти вам зручно працювати з інструментом.

Обслуговування

Дротові і бездротові інструменти STANLEY мають складні конструкції і можуть бути використані протягом тривалого часу при мінімальному технічному обслуговуванні. Для послідовного задовільного використання, необхідно належне технічне обслуговування та регулярне чищення інструменту.

Застереження! Перед виконанням будь-яких робіт з техобслуговування дротових/бездротових електричних інструментів, необхідно виконати наступні вимоги:

- Вимкніть живлення обладнання/інструментів і витягніть вилку;
- Якщо обладнання/інструмент мають незалежну акумуляторну батарею, будь ласка, вимкніть живлення та вийміть акумулятор з обладнання/інструменту.
- Якщо обладнання/інструменти оснащені вбудованим акумулятором, будь ласка, витягніть з нього батарейку, перед вимиканням живлення.
- Перед чищенням відключіть вилку зарядного пристрою від джерела живлення. Крім того, за винятком регулярного чищення вашого зарядного пристрою, інше обслуговування не потрібно.
- Регулярно використовуйте м'яку щітку або суху ганчірку для очищення вентиляційних отворів обладнання/інструментів/зарядного пристрою.
- Регулярно використовуйте вологу тканину для очищення корпусу двигуна. Будь ласка, не використовуйте абразивні чистячі засоби або чистячі засоби на основі розчинників.
- Регулярно відкривайте патрон і поверніть його обережно, щоб видалити який-небудь пил всередині (після установки).



Чищення



Застереження! Якщо ви бачите пил на і/або навколо вентиляційних портів, негайно видаліть пил з корпусу за допомогою чистого сухого повітря. Для виконання цієї процедури, користуйтеся відповідними засобами забезпечення безпеки і респиратором.



Застереження! Строго заборонено очищати неметалеві деталі інструменту за допомогою розчинників або інших дратівливих хімічних речовин. Ці хімікати можуть завдати шкоди матеріалам, з яких виготовлені дані компоненти. Для чищення використовуйте тканину, змочену в слабкому мильному розчині. Не допускайте попадання речовини всередину інструменту і не опускайте будь-яку частину інструменту в рідину.

інформаційна служба

STANLEY пропонує повну мережу авторизованих сервісних центрів, що належать компанії по всій Азії. Всі сервісні центри STANLEY укомплектовані персоналом, який пройшов навчання, щоб надати клієнтам ефективний і надійний сервіс. Незалежно чи потрібна вам технічна рада, ремонт або оригінальні запасні частини, вам необхідно звернутися в найближчий до вас сервісний центр STANLEY.

Примітки

- Політика STANLEY є процесом безперервного вдосконалення нашої продукції і, таким чином, ми залишаємо за собою право змінювати специфікацію продукту без попереднього повідомлення.
- Стандартне обладнання та аксесуари можуть варіювати залежно від країни.
- Характеристики можуть відрізнятися в залежності від країни.
- Повний асортимент продукції може варіювати залежно від країни. Зв'яжіться з вашим місцевим дилером STANLEY для отримання інформації про моделі, що є в наявності.

Захист навколишнього середовища



Роздільний збір і утилізація. Цей продукт не слід утилізувати разом з побутовим сміттям.

Якщо ви зрозумієте, що ваш продукт Stanley потребує заміни, або якщо він не має ніякого подальшого застосування для вас, не викидайте його разом з побутовими відходами. Надайте цей продукт для роздільного збору/утилізації.



Роздільний збір продуктів і упаковок дозволяє здійснити їх переробку і використати їх повторно. Повторне використання перероблених матеріалів допомагає захищати довкілля від забруднення і знижує витрату сировинних матеріалів.

Міське законодавство може забезпечити збір старих електроніструментів окремо від побутового сміття на муніципальних звалищах відходів або в торговому підприємстві при купівлі нового виробу. Stanley забезпечує можливість для збору і утилізації продуктів Stanley, як тільки вони досягли кінця свого терміну служби. Для того, щоб скористатися цією послугою, ви можете здати ваш виріб у будь-який авторизований сервісний центр, який збирає їх за нашим дорученням.

Ви можете упізнати місце знаходження вашого найближчого авторизованого сервісного центру, звернувшись в місцеве відділення Stanley за адресою, вказаною в цьому керівництві. Крім того, список авторизованих ремонтних агентів Stanley і повну інформацію про наше післяпродажне обслуговування і контакти ви можете знайти в Інтернеті:

www.2helpu.com10

Два рік повної гарантії

Якщо ваш продукт STANLEY виходить з ладу із-за дефектних матеріалів або виготовлення впродовж 24 місяців з дати купівлі, STANLEY Europe гарантує заміну усіх несправних деталей безкоштовно або - на власний розсуд - заміну продукту безкоштовно за умови, що:

- Продукт використовувався правильно, його експлуатація проводилася строго відповідно до інструкції з експлуатації.
- Продукт піддавався звичайному зносу;
- Ремонт не проводився сторонніми особами;
- Представлені документи, що підтверджують купівлю.
- Продукт STANLEY повертається в повному комплекті з усіма оригінальними компонентами

Якщо ви хочете зробити заявку, зв'яжіться з продавцем або з'ясуйте місце знаходження вашого найближчого авторизованого сервісного агента Stanley в каталозі Stanley або зверніться в місцеве представництво Stanley за адресою, вказаною в цьому посібнику. Список авторизованих сервісних агентів Stanley і повну інформацію про наше післяпродажне обслуговування можна знайти в Інтернеті за адресою:

www.stanleytools.com

STANLEY

Гарантійні умови

Шановний покупець!

1. Вітаємо Вас з покупкою високоякісного виробу STANLEY і висловлюємо вдячність за Ваш вибір.
2. При покупці виробу вимагайте перевірки його комплекtnості і справності у Вашій присутності, інструкцію за експлуатації та заповнений гарантійний талон українською мовою
В гарантійному талоні повинні бути внесені: модель, дата продажу, серійний номер, дата виробництва інструменту; назва, печатка і підпис торгової організації. За відсутності у Вас правильно заповненого гарантійного талону, а також при невідповідності зазначених у ньому даних ми будемо змушені відхилити Ваші претензії щодо якості даного виробу.
3. Щоб уникнути непорозумінь, переконливо просимо Вас перед початком роботи з виробом уважно ознайомитися з інструкцією з його експлуатації. Правовою основою справжніх гарантійних умов є чинне Законодавство. Гарантійний термін на даний виріб складає 24 місяці і обчислюється з дня продажу. У разі усунення недоліків виробу, гарантійний строк продовжується на період його перебування в ремонті. Термін служби виробу становить 5 років з дня продажу.
4. У разі виникнення будь-яких проблем у процесі експлуатації виробу рекомендуємо Вам звертатися тільки в уповноважених сервісних центри STANLEY, адреси та телефони яких Ви зможете знайти в гарантійному талоні, на сайті www.2helpU.com або дізнатися в магазині. Наші сервісні станції - це не тільки кваліфікований ремонт, але і широкий асортимент запчастин і аксесуарів.
5. Виробник рекомендує проводити періодичну перевірку і технічне обслуговування виробу в уповноважених сервісних центрах.
6. Наші гарантійні зобов'язання поширюються тільки на несправності, виявлені протягом гарантійного терміну і викликані дефектами виробництва та \ або матеріалів.
7. Гарантійні умови не поширюються на несправності виробу, що виникли в результаті:
- 7.1 Недотримання користувачем приписів інструкції за експлуатації виробу, застосування виробу не за призначенням, неправильного зберігання, використання приладдя, витратних матеріалів і запчастин, що не передбачені виробником.
- 7.2 Механічного пошкодження (відколи, тріщини і руйнування) внутрішніх і зовнішніх деталей виробу, основних і допоміжних рукояток, мережевого кабелю, що викликані зовнішнім ударним або будь-яким іншим впливом

- 7.3 Потраплення у вентиляційні отвори та проникнення всередину виробу сторонніх предметів, матеріалів або речовин, що не є відходами, які супроводжують застосування виробу за призначенням, такими як: стружка, тирса, пісок, та ін.
- 7.4 Впливу на виріб несприятливих атмосферних і інших зовнішніх факторів, таких як дощ, сніг, підвищена вологість, нагрівання, агресивні середовища, невідповідність параметрів електромережі, що зазначені на інструменті.
- 7.5 Стихійного лиха. Пошкодження або втрати виробу, що пов'язані з непередбаченими лихами, стихійними явищами, у тому числі внаслідок дії непереборної сили (пожежа, блискавка, потоп і інші природні явища), а також внаслідок перепадів напруги в електромережі та іншими причинами, які знаходяться поза контролем виробника.
8. Гарантійні умови не поширюються:
- 8.1. На інструменти, що піддавалися розкриттю, ремонту або модифікації поза уповноваженим сервісним центром.
- 8.2. На деталі, вузли та матеріали, що мають сліди природного зносу, такі як: приводні ремені і колеса, вугільні щітки, мастило, підшипники, зубчасті зчеплення редукторів, гумові ущільнення, сальники, направляючі ролики, муфти, вимикачі, бойки, штовхачі, стволи тощо.
- 8.3. На змінні частини: патрони, цанги, затискні гайки і фланці, фільтри, акумуляторні батареї, ножі, шліфувальні підшви, ланцюги, зірочки, пильні шни, захисні кожухи, пилки, абразиви, пильні і абразивні диски, фрези, свердла, бури тощо
- 8.4. На несправності, що виникли в результаті перевантаження інструменту (як механічного, так і електричного), що спричинили вихід з ладу одночасно двох і більше деталей і вузлів, таких як: ротора і статора, обох обмоток статора, веденої і ведучої шестерень редуктора або інших вузлів і деталей. До безумовних ознак перевантаження виробу відносяться, крім інших: поява кольорів мінливості, деформація або оплавлення деталей і вузлів виробу, потемніння або обуглювання ізоляції проводів електродвигуна під впливом високої температури.



Виробник:
"Stanley Black & Decker Deutschland GmbH" Black-&-Decker Str.40, D-65510 Idstein, Німеччина

حماية البيئة

التنظيف



فرز النفايات. يجب عدم وضع هذا المنتج مع النفايات المنزلية العادية.



إذا وجدت في يوم ما أنك بحاجة إلى استبدال منتج ستانلي، أو إذا لم تعد بحاجة إلى استخدامه، فلا تتخلص منه مع النفايات المنزلية. وقم بإتاحته للفرز.



يتيح فرز المنتجات المستخدمة وتغليفها بإعادة تدوير المواد واستخدامها مرة أخرى. حيث يساعد إعادة استخدام المواد المعاد تدويرها في منع التلوث البيئي ويقلل من الطلب على المواد الخام.

وقد تنص اللوائح المحلية على فرز المنتجات الكهربائية عن النفايات المنزلية في مواقع نفايات البلدية أو بواسطة بائع التجزئة عند شراء منتج جديد. وتوفر ستانلي مرافق لجمع وإعادة تدوير منتجات ستانلي حينما تصل إلى نهاية عمرها الافتراضي للعمل. للاستفادة من هذه الخدمة، برجاء إعادة المنتج إلى أي وكيل إصلاح معتمد يقوم بجمعها نيابة عنا.

يمكنك التحقق من موقع أقرب وكيل إصلاح معتمد من خلال الاتصال بمكتب ستانلي المحلي على العنوان المشار إليه في الدليل. وبدلاً من ذلك، توجد قائمة بوكلاء الإصلاح المعتمدين من ستانلي وبياناتهم الكاملة لخدمات ما بعد البيع وبيانات اتصالاتهم على موقع الإنترنت: www.helpU.com

ضمان شامل لعام اثنان

إذا وجد في منتج ستانلي عيوب تصنع أو عيوب مواد في غضون ٢٤ شهراً من تاريخ الشراء، تضمن لك ستانلي ووروب استبدال كافة الأجزاء المعيبة دون مقابل أو - وفقاً لتقديرنا - استبدال الوحدة دون مقابل شريطة:

- عدم إساءة استخدام الجهاز وأن يكون الجهاز قد تم استخدامه وفقاً لدليل التعليمات؛
- تعرض الجهاز للبلبى العادي بالاستعمال؛
- عدم القيام بأي إصلاحات بواسطة أشخاص غير معتمدين؛
- تقديم إثبات للشراء؛
- إعادة منتج ستانلي مكتملاً مع كافة مكوناته الأصلية

إذا كنت ترغب في إقامة دعوى، اتصل بالبائع أو تحقق من موقع أقرب وكيل إصلاح معتمد من ستانلي في دليل ستانلي أو اتصل بمكتب ستانلي المحلي على العنوان المشار إليه في الدليل. توجد قائمة بوكلاء الإصلاح المعتمدين من ستانلي وبياناتهم الكاملة لخدمات ما بعد البيع على موقع الإنترنت: www.stanleytools.com

تحذير! مجرد تراكم الغبار المرئي على فتحات التهوية والأجزاء المحيطة بها. استخدم الهواء الجاف فوراً لنفخ الغبار والأتربة بعيداً عن الجزء الداخلي للمبيت. وعند تنفيذ هذه العملية، قم بارتداء معدات السلامة المعتمدة وقناع الغبار.



تحذير! لا تستخدم أي مذيبات أو كيميائيات كاشطة مطلقاً في تنظيف الأجزاء غير المعدنية في هذا الجهاز. فقد تؤدي هذه الكيماويات إلى إضعاف مواد هذه الأجزاء. استخدم فقط صابوناً مخففاً وقطعة قماش رطبة في تنظيف الجهاز. لا تسمح بدخول أي سائل إلى الأجزاء الداخلية للجهاز ولا تغمر أي جزء من أجزاء الجهاز في أي سائل.

معلومات الخدمة

توفر ستانلي شبكة كاملة من مراكز الخدمة المعتمدة المملوكة للشركة في جميع أرجاء آسيا. ويعمل في جميع مراكز الخدمة التابعة لستانلي أفراد مؤهلون على تقديم خدمة فعالة وجديرة بالثقة لجميع الأجهزة بما يحقق رضا العملاء، فإذا ما كنت ترغب في الحصول على مشورة فنية أو إصلاح الأجهزة أو الحصول على قطع غيار أصلية، ما عليك سوى الاتصال بأقرب مركز خدمة لستانلي.

ملاحظات

- تعتمد سياسة ستانلي على تحسين منتجاتنا باستمرار. وبناءً على ذلك فإننا نحتفظ بحقنا في تغيير مواصفات المنتج دون إشعار مسبق.
- قد تختلف المعدات والملحقات القياسية حسب البلد.
- قد تختلف مواصفات المنتج حسب البلد.
- قد لا تتوفر مجموعة المنتجات الكاملة في كافة الدول. يرجى التواصل مع موزعي ستانلي للتحقق من توافر المنتجات.

قبل التشغيل

بالضغط الثابت والمستمر على الجهاز للثقب بشكل أكثر فعالية. يُشير التدفق السلس والمتساوي للنشاطيا المعدنية إلى معدل الثقب الصحيح.

ربط وفك البراغي

- حدد اتجاه الدوران للأمام أو الخلف.

الثقب الدقيق (الشكل أ)

- حدد وضع التشغيل.

- اضغط على المفتاح (١).

الثقب الدوار (الشكل أ)

- حدد وضع الثقب الدوار.

- استكمل الخطوات وفق ما هو مذكور في الثقب الدقيق.

استشر موزع المنتجات الخاص بك لزيد من المعلومات بخصوص الملحقات المناسبة.

الملحقات

يعتمد أداء الجهاز على نوع الملحقات المستخدمة. وتم تصميم ملحقات ستانلي وتصنيعها وفقاً لمعايير عالية الجودة لتحسين استخدامك للجهاز. ويمكن لاستخدام هذه الملحقات أن يساعدك في تشغيل الجهاز بسهولة ويسر.

الصيانة

تميز أجهزة ستانلي السلكية / اللاسلكية بتصميمها الدقيق وأنه يمكنها العمل لفترات طويلة بأقل صيانة ممكنة. وللحصول على الاستخدام المرضي للجهاز، يلزم إجراء الصيانة والتنظيف الدوري للجهاز وفق ما هو مطلوب.

تحذير! قبل إجراء أي أعمال صيانة على الأجهزة الكهربائية السلكية واللاسلكية، يلزم تطبيق النقاط التالية:

- قم بإيقاف تشغيل الجهاز وفصله من مصدر التيار الكهربائي؛
- إذا كان الجهاز مزوداً بطارية قابلة للفصل، يُرجى إيقاف تشغيل الجهاز وإزالة البطارية من الجهاز.
- إذا كان الجهاز مزوداً بطارية داخلية مدمجة، يُرجى تفريغ البطارية قبل إيقاف تشغيل الجهاز.

قبل التنظيف، افصل مقبس الشاحن من مصدر التيار الكهربائي، ولا يلزم إجراء أي صيانة للشاحن بخلاف التنظيف الدوري.

استخدم فرشاة ناعمة أو قطعة قماش جافة لتنظيف فتحة تهوية الأجهزة / الأدوات / الشاحن بانتظام.

استخدم قطعة قماش رطبة لتنظيف غطاء المحرك بانتظام. يُرجى عدم استخدام أي منظفات كاشطة أو مذيبة.

افتح الطرف الماسك للملح الدوار، واشطفه برفق لإزالة أي أتربة داخلية (بعد التركيب).

- ادخل لقمة الثقب المناسبة.

- حدد البقعة التي تريد الثقب فيها.

الوضع الصحيح لليد (الشكلان "أ" و "هـ")

تحذير! لتقليل مخاطر التعرض لإصابات شخصية خطيرة، استخدم دائماً الوضع الصحيح لليد كما هو موضح.



تحذير! لتقليل مخاطر التعرض لإصابات شخصية خطيرة، أمسك الجهاز بشكل آمن وكن دائماً على استعداد لأي رد فعل مفاجئ.



يتطلب الوضع الصحيح لليد وضع إحدى اليدين على المقبض الجانبي (١) مع وضع اليد الأخرى على المقبض الرئيسي للجهاز.

التشغيل وإيقاف التشغيل

- لتشغيل الجهاز، اضغط على مفتاح السرعة المتغيرة (١). وتتوقف سرعة الجهاز على مقدار ضغطك على المفتاح.

- للتشغيل المستمر، اضغط على زر القفل (٢) وحرر مفتاح السرعة المتغيرة. ويتوفر هذا الخيار فقط في وضع السرعة الكاملة.

- لإيقاف تشغيل الجهاز، حرر مفتاح السرعة المتغيرة. وإيقاف تشغيل الجهاز عندما يكون في وضع التشغيل المستمر، اضغط على مفتاح السرعة المتغيرة مرة أخرى وحرره.

- بناءً على مختلف عمليات الاستخدام، قم بلف بكرة تغيير السرعة (١١) للتحكم في الحد الأقصى للسرعة.

الثقب في المعادن

أبدأ الثقب بسرعة منخفضة، وقم بزيادة السرعة إلى الطاقة الكاملة. مع الضغط بقوة ثابتة على الجهاز، يُشير التدفق السلس والمتساوي للنشاطيا المعدنية إلى معدل الثقب الصحيح. استخدم زيت تزييق خاص بالقطع عند ثقب المعادن. يُستثنى من ذلك الحديد الزهر والنحاس الأصفر التي يتم ثقبها على الجاف.

ملحوظة: يمكن عمل الثقوب الكبيرة (من ١٦/٥ بوصة (٨ ملم) إلى ٢/١ بوصة (١٣ ملم)) بسهولة في المعادن عند عمل ثقب دليلي [٣٢/٥ بوصة (٤ ملم) إلى ١٦/٣ بوصة (٥ ملم)] أولاً.

الثقب في الخشب

أبدأ الثقب بسرعة منخفضة، وقم بزيادة السرعة إلى الطاقة الكاملة. مع الضغط بقوة ثابتة على الجهاز، يمكن الثقب في الخشب باستخدام نفس لقم الثقب المستخدمة للمعادن. قد ترتفع درجة حرارة هذه اللقم، ما لم يتم سحبها بشكل متكرر لإزالة الشظايا من الأخاديد. يجب دعم قطع العمل التي تميل إلى التشنج بقطعة من الخشب.

الثقب في مواد البناء

عند الثقب في مواد البناء، استخدم اللقم المكسو طرفها بالكربيد والمفنتة للاستخدام في الثقب الدقيق، وتأكد من أن اللقم حادة، قم

9. جلبة

10. مفتاح الظرف

11. بكرة تغيير السرعة

التجميع

تحذير! قبل التجميع. يُرجى التأكد من إيقاف تشغيل الجهاز وفصله من المقبس.

خديد وضع التشغيل (الشكل ب). يمكن استخدام الجهاز في وضعي تشغيل:

الثقب الدوار:

للمعادن والخشب والبلاستيك.

الثقب الدقاق:

الدوران المستمر مع الدق لعمليات الحفر في الخرسانة ومواد البناء.

• حدد وضع التشغيل المطلوب بتدوير مفتاح خديد وضع التشغيل (٤) إلى الوضع المطلوب.

إدخال وفك لقمة الثقب (الشكل أ)

الظرف المزود بمفتاح

• افتح الظرف بتدوير الجلبة (٩) في عكس اتجاه عقارب الساعة وإدخال ساق لقمة الثقب.

• ضع مفتاح الظرف (١٠) في كل فتحة موجودة على جانب الظرف. وقم بلفه في اتجاه عقارب الساعة إلى أن يتم إحكام ربطه.

• لفك لقمة الثقب. قم بتنفيذ الخطوات السابقة بترتيب عكسي.

تركيب المقبض الجانبي (الشكل أ)

• يمكن تركيب المقبض الجانبي (١) ليناسب كلاً من الأشخاص الذين يستخدمون اليد اليمنى والأشخاص الذين يستخدمون اليد اليسرى.

• احرص دوماً على استخدام المثقاب الكهربائي مع تركيب المقبض الجانبي في مكانه بشكلٍ صحيح.

• حذر المقبض الجانبي.

• بالنسبة للأشخاص الذين يستخدمون اليد اليمنى. قم بتحريك ملزمة المقبض الجانبي على الطوق الموجود خلف الظرف. على أن يكون المقبض في اتجاه اليسار.

• بالنسبة للأشخاص الذين يستخدمون اليد اليسرى. قم بتحريك ملزمة المقبض الجانبي على الطوق الموجود خلف الظرف. على أن يكون المقبض في اتجاه اليمين.

• قد يتدوير المقبض الجانبي إلى الوضع المطلوب. وقم بربط المقبض وإحكام تثبيته.

تحديد عمق الثقب (الشكل ج)

• ادخل لقمة الثقب المطلوبة في الظرف.

• قم بإرخاء المقبض الجانبي (٦).

• ادخل مقياس تحديد العمق (٧) في الفتحة الموجودة في ملزمة المقبض الجانبي.

• عدّل عمق الثقب كما هو موضح.

• احكم تثبيت المقبض الجانبي.

المفتاح المنزلق للتدوير للأمام / الخلف (الشكل أ)

• لاختيار التدوير للأمام أو الخلف. استخدم مفتاح التدوير للأمام / الخلف (٣) (انظر السهم الموجود على الجهاز).

• انتظر دائماً إلى أن يتوقف المحرك على الدوران تماماً قبل تغيير اتجاه الدوران.



فك الظرف (الشكل د)

• افتح فوكك الظرف قدر الإمكان.

• ادخل مفك براغي في الظرف. وقم بفك براغي تثبيت الظرف (١٢) بلفه في اتجاه عقارب الساعة.

• احكم تثبيت مفتاح مسدس (الآن كيه) في الظرف. واضربه بطرقة كما هو موضح.

تعليمات الاستخدام

• احرص دوماً على اتباع تعليمات السلامة واللوائح التنظيمية السارية.

• كن على علم ومعرفة بمكان المواسير والأسلاك.

• اضغط على الجهاز ضغطاً خفيفاً فقط. لا يؤدي الضغط المفرط إلى تسريع عملية الثقب. لكنه يقلل من أداء الجهاز وقد يؤدي إلى قصر عمر الجهاز.

• ارتد واقيات الأذن عند استخدام المثقاب الكهربائي الدقاق. قد يؤدي التعرض إلى الضوضاء إلى ضعف السمع.

• استخدم المقابض الإضافية المتوفرة مع الجهاز. يمكن أن يتسبب عدم القدرة على التحكم في وقوع إصابة شخصية.

• امسك الجهاز بواسطة الأسطح المعزولة فقط عند العمل بالجهاز عند وجود احتمالية تلامس ملحق القطع مع الأسلاك الخفية أو سلك الجهاز نفسه. واعلم بأن ملامسة ملحق القطع للأسلاك "التي يسري بها التيار" قد توصل التيار إلى الأجزاء المعدنية المكشوفة. ما قد يعرض المشغل إلى مخاطر الإصابة بالصدمات الكهربائية.

• في حالة عدم إمكانية تفادي استخدام الجهاز في موقع رطب. استخدم مصدر تيار كهربائي محمي بواسطة قاطع الدورة الكهربائية (RCD). يؤدي استخدام قاطع الدورة إلى تقليل مخاطر التعرض للصدمات الكهربائية.

- الفنية) لهذا الجهاز. وإن أدنى حجم للموصل هو ١.٥ ملم مربع. وعند استخدام بكرة كابل، تأكد من سحب الكابل بالكامل.
- يُرجى أيضاً الاطلاع على الجدول التالي.

قياس الموصل (م ^٢)	قدرة السلك التقديرية (أمبير)	
٠.٧٥	٦	
١.٠٠	١٠	
١.٥٠	١٥	
٢.٥٠	٢٠	
٤.٠٠	٢٥	
طول الكيل (م)		
٦٠ ٤٥ ٣٠ ٢٥ ١٥ ٧,٥		
الفلطية	شدة التيار (أمبير)	قدرة السلك التقديرية (أمبير)
١١٥	٢,٠-٠	١ ٦ ٦ ٦ ٦ ٦
	٣,٤-٠,٢,١	١٥ ١٥ ٦ ٦ ٦ ٦
	٥,٠-٣,٥	٢٠ ٢٠ ١٥ ١٠ ٦ ٦
	٧,٠-٥,١	٢٥ ٢٠ ٢٠ ١٥ ١٠ ١٠
	١٢,٠-٧,١	- ٢٥ ٢٥ ٢٠ ١٥ ١٥
	٢٠,٠-١٢,١	- - - ٢٥ ٢٠ ٢٠
٢٣٠	٢,٠-٠	٦ ٦ ٦ ٦ ٦ ٦
	٣,٤-٢,١	٦ ٦ ٦ ٦ ٦ ٦
	٥,٠-٣,٥	١٥ ١٠ ٦ ٦ ٦ ٦
	٧,٠-٥,١	١٥ ١٥ ١٠ ١٠ ١٠ ١٠
	١٢,٠-٧,١	٢٠ ٢٠ ١٥ ١٥ ١٥ ١٥
	٢٠,٠-١٢,١	- ٢٥ ٢٠ ٢٠ ٢٠ ٢٠

- افحص الجهاز والأجزاء والملحقات للتأكد من ما إذا لحقت بها أي أضرار أثناء النقل.
- خذ من وقتك وضع لحظات في قراءة هذا الدليل وفهمه جيداً قبل استخدام الجهاز.

الوصف (الشكل أ)

١. مفتاح متغير السرعات
٢. زر قفل
٣. مفتاح منزلق للدوران للأمام / الخلف
٤. مفتاح خديد وضع التشغيل
٥. فتحات تهوية
٦. مقبض جانبي
٧. مقياس لتحديد العمق
٨. ظرف بمفتاح

- الإصابات الناجمة عند تغيير أية أجزاء أو شفرات أو ملحقات.
- الإصابات الناجمة بسبب الاستخدام الزائد للجهاز. عند استخدام أي جهاز لفترات طويلة من الوقت. احرص على أخذ فواصل منتظمة.
- ضعف السمع.
- المخاطر الصحية الناجمة بسبب استنشاق الغبار الناشئ عند استخدام الجهاز (مثال: العمل على الخشب وخصوصاً خشب البلوط أو خشب الزان أو الخشب الليفي المتوسط الكثافة).

الرموز الموجودة على الجهاز

قد تتضمن العلامات الموجودة على الأداة الرموز التالية:

عزل مزدوج من الفئة ٢		هرتز Hz	اقرأ دليل التعليمات	
طرف أرضي		واط W	استخدم واقفي العين	
رمز تنبيه الأمان		دقيقة تيار متردد min	استخدام واقفي الأذن	
عدد الدورات أو الترددات في الدقيقة	.../min..	تيار مستمر min	V فولط	
				A مبير	
				N ₀ السرعة بدون حمل	

مكان رمز الباركود الخاص بالتاريخ

- يوجد رمز الباركود الخاص بالتاريخ. بما في ذلك سنة الصنع. مطبوعاً على التبييتة. على سبيل المثال:

XX JN ٢٠١٤
سنة الصنع


السلامة الكهربائية

- هذا الجهاز مزودج العزل، لذا ليست هناك حاجة لسلك أرضي. احرص دوماً على التحقق من مطابقة الجهد الكهربائي لموصل الطاقة مع الجهد الكهربائي الموجود على لوحة التقنين.

- في حالة تلف كابل الطاقة، يجب استبداله بواسطة الشركة المصنعة أو مركز خدمة معتمد من ستانلي لتجنب الضرر أو الإصابة.

استخدام كابل تمديد

- عند الحاجة إلى استخدام كابل تمديد، يُرجى استخدام كابل تمديد معتمد مطابق للجهد الكهربائي الداخل (انظر البيانات

- ج. إذا كانت الأجهزة معدة للتوصيل بوسائل إزالة أو تجميع الأتربة، فأحرص على توصيلها واستخدامها بشكل مناسب. حيث إن استخدام وسائل جمع الأتربة قد يقلل من المخاطر المرتبطة بها.
٤. استخدام الجهاز الكهربائي والعناية به
- أ. لا تضغط على الجهاز الكهربائي. استخدم الجهاز الكهربائي المناسب لاستعمالك. حيث إن استخدام الجهاز الكهربائي يؤدي المهمة بشكل أفضل وأكثر أماناً بالسرعة التي تم تصميمه من أجلها.
- ب. لا تستخدم الجهاز الكهربائي إذا كان المفتاح لا يُمكّن التشغيل أو الإيقاف، حيث إن أي جهاز كهربائي لا يمكن التحكم فيه باستخدام مفتاح التشغيل/الإيقاف يكون خطيراً ويجب إصلاحه.
- ج. أفضل المقيس من مصدر الطاقة و/أو علية البطارية من الجهاز الكهربائي قبل إجراء أي تعديلات أو تغيير أي ملحقات أو تخزين الجهاز الكهربائي. حيث تقلل تدابير السلامة الوقائية هذه من خطر تنشغيل الجهاز دون قصد.
- د. قم بتخزين الأجهزة غير المستخدمة بعيداً عن متناول الأطفال ولا تسمح للأشخاص غير المتعاملين مع الأجهزة الكهربائية أو غير المطلعين على هذه التعليمات بتشغيل الجهاز الكهربائي. حيث يمثل وجود الأجهزة الكهربائية في أيدي المستخدمين غير المدربين خطراً عليهم.
- هـ. قم بصيانة الأجهزة الكهربائية. تحقق من أي اختلاف أو عائق في الأجزاء المتحركة أو كسر في الأجزاء أو أي حالة أخرى قد تؤثر على تشغيل الأجهزة. في حالة تعرض الأجهزة للتلف، قم بإصلاح الأجهزة قبل استخدامها. حيث تقع العديد من الحوادث بسبب الصيانة الرديئة للأجهزة.
- و. احرص على حدة ونظافة أدوات القطع. من النادر أن تنسب أدوات القطع المحفوظة بشكل مناسب مع الحفاظ على حدة حواف القطع في إعاقه الحركة فضلاً عن سهولة التحكم فيها.
- ز. احرص على استخدام الجهاز الكهربائي والملحقات ولقم الجهاز وما إلى ذلك وفق هذه التعليمات، مع الأخذ في الاعتبار ظروف العمل والعمل المطلوب تنفيذه. قد يؤدي استخدام الجهاز الكهربائي في عمليات غير المخصص من أجلها إلى وقوع مخاطر.
٥. الصيانة
- أ. قم بإصلاح وصيانة الجهاز بواسطة شخص مؤهل باستخدام الأجزاء البديلة المطابقة فقط. وسوف يضمن ذلك الحفاظ على سلامة الجهاز الكهربائي.
- تحذيرات إضافية للسلامة عند استخدام الجهاز الكهربائي**
- تحذير! تحذيرات إضافية للسلامة عند استخدام أجهزة المثقاب الكهربائي والمثقاب الكهربائي الدق** 
- تحذيرات السلامة عند استخدام المثقاب الكهربائي
- ارتد واقبات الأذن عند الثقب باستخدام المثقاب الكهربائي الدق. قد يؤدي التعرض للضوضاء إلى ضعف السمع.
- استخدم المقابض الإضافية المتوفرة مع الجهاز. يمكن أن يتسبب عدم القدرة على التحكم في حدوث إصابة شخصية.
- امسك الجهاز بواسطة الأسطح المعزولة فقط عند العمل بالجهاز عند وجود احتمالية تلامس ملحق القطع مع الأسلاك المخفية أو سلك الجهاز نفسه. واعلم بأن ملامسة ملحق القطع للأسلاك "التي يسري بها التيار" قد توصل التيار إلى الأجزاء المعدنية المكتشوفة، مما قد يعرض المشغل إلى مخاطر الإصابة بالصدمات الكهربائية.
- استخدم ملزمة أو أي طريقة عملية أخرى لوضع قطعة العمل وتثبيتها على سطح ثابت. إمساك قطعة العمل باليد أو في مقابل الجسم يجعلها غير مستقرة وقد يؤدي إلى فقدان التحكم.
- قبل الحفر في الجدران أو الأرضيات أو الأسقف. تحقق من موضع الأسلاك والمواسير.
- لا تلمس طرف لقمة الثقب بعد الثقب مباشرة. فقد تكون ساخنة للغاية.
- هذا الجهاز غير مخصص للاستخدام من قبل الأشخاص (بما في ذلك الأطفال) الذين يعانون من قصور بدني أو حسي أو ذهني. أو يفتقدون للخبرة والمعرفة. ما لم يتم الإشراف عليهم أو توجيههم فيما يتعلق بكيفية استخدام الجهاز من قبل شخص مسؤول عن سلامتهم. ويجب مراقبة الأطفال لضمان عدم عبثهم بالجهاز.
- غرض الاستخدام المذكور في دليل التعليمات هذا. إن استخدام أي ملحق أو أداء أي عمل باستخدام هذا الجهاز غير الاستخدام الموصى به في دليل التعليمات قد يلحق الضرر بالأشخاص و/أو الممتلكات.
- سلامة الآخرين**
- هذا الجهاز غير مخصص للاستخدام من قبل الأشخاص (بما في ذلك الأطفال) الذين يعانون من قصور بدني أو حسي أو ذهني. أو يفتقدون للخبرة والمعرفة. ما لم يتم الإشراف عليهم أو توجيههم فيما يتعلق بكيفية استخدام الجهاز من قبل شخص مسؤول عن سلامتهم.
- يجب مراقبة الأطفال لضمان عدم عبثهم بالجهاز.
- المخاطر الكامنة**
- قد تنشأ مخاطر كامنة أخرى عند استخدام الجهاز قد لا تكون مشمولة ضمن تحذيرات السلامة الرفقة. وقد تنشأ هذه المخاطر بسبب سوء الاستخدام أو الاستخدام لفترة طويلة وما إلى ذلك، حتى عند تطبيق تعليمات السلامة ذات الصلة وتنفيذ وسائل السلامة. قد لا يمكن تفادي بعض المخاطر الكامنة. ويتضمن ذلك:
- الإصابات الناتجة بسبب تلامس أية أجزاء دوارة/متحركة.

البيانات الفنية

المتقاب الكهربائي الدفاق	STDH8013
الجهد الكهربائي	فولط 230
التردد	هرتز 50
جهد الدخل	واط 800
السرعة بدون حمل	لفة في الدقيقة 0 إلى 3000
معدل الدق	دقة في الدقيقة 0 إلى 54000
التدوير للأمام / الخلف	نعم
سعة الظرف	ملم 1.5 إلى 13
القدرة القصوى	
الخرسانة	ملم 16
المعادن	ملم 13
الخشب	ملم 32
الوزن	كجم 2.5

الغرض من الاستخدام

تم تصميم جهاز المتقاب الدوار من ستانلي للثقوب في الخشب والمعادن والخرسانة، وهذا الجهاز مخصص للاستخدام المنزلي فقط.

تحذيرات عامة عند استخدام الأجهزة الكهربائية

تحذير! اقرأ كافة التعليمات وكافة تحذيرات السلامة.
قد يؤدي عدم اتباع التعليمات والتحذيرات الواردة أدناه إلى حدوث صدمة كهربية أو حرق وأو إصابة شخصية خطيرة.



احفظ كافة التحذيرات والتعليمات للرجوع إليها في المستقبل

تشير كلمة "الجهاز الكهربائي" في كافة التحذيرات الواردة أدناه إلى الجهاز الكهربائي الذي يعمل (بواسطة أسلاك) بواسطة الموصلات الرئيسية أو الجهاز الكهربائي الذي يعمل بواسطة بطارية (بدون أسلاك).

١. سلامة منطقة العمل

أ. احرص على نظافة وإضاءة منطقة العمل بشكل جيد. حيث تؤدي المناطق غير المنظمة والمظلمة إلى وقوع حوادث.

ب. لا تشغل الجهاز في أجواء قابلة للتفجار، مثلاً عند وجود سوائل أو غازات أو غبار قابل للاشتعال، فالأجهزة الكهربائية تطلق شرراً قد يؤدي إلى اشتعال الغبار أو الدخان.

ج. احرص على إبعاد الأطفال والمتواجدين في منطقة العمل عن الجهاز الكهربائي، فقد يتسبب الإلحاق في فقدانك للسيطرة.

٢. السلامة الكهربائية

أ. يجب أن تطابق مقاييس الجهاز الكهربائي مع المنفذ. لا تقم بتعديل المقيسين بأي حال. لا تستخدم أي مقاييس مهايئات مع أجهزة كهربائية (مؤرضة). سوف تؤدي المقاييس غير المعدلة والمنافذ المطابقة إلى تقليل خطر حدوث صدمة كهربائية.

ب. تجنب ملامسة الجسد للأسطح المؤرضة مثل الألياف والمشعاع والثلاجات، فإذا تلامس الجسد بسطح مؤرض، فسوف يزداد خطر حدوث صدمة كهربية.

ج. لا تعرض الأجهزة الكهربائية للمطر أو لظروف رطبة. فإن دخول الماء إلى الجهاز الكهربائي يؤدي إلى زيادة خطر حدوث صدمة كهربية.

د. لا تسمى استخدام السلك. لا تستخدم السلك في حمل أو سحب الجهاز الكهربائي أو نزعها من المقيس. احرص على إبعاد السلك عن الحرارة والنفط والحواف الحادة أو الأجزاء المتحركة. حيث إن الأسلاك التالفة أو المتشابكة تزيد من خطر حدوث صدمة كهربائية.

هـ. عند تشغيل الجهاز في الخارج، استخدم سلك تمديد مناسب للاستخدام الخارجي. حيث إن استخدام سلك مناسب للاستخدام الخارجي يقلل من خطر حدوث صدمة كهربائية.

و. إذا كان يجب تشغيل الجهاز الكهربائي في مكان رطب، فاستخدم موصل محمي لقاطع الدورة (RCD). إن استخدام قاطع الدورة يقلل من خطر حدوث صدمة كهربية.

٣. السلامة الشخصية

أ. توخ الحذر وراقب ما تقوم به واستخدم حسك العام عند تشغيل جهاز كهربائي. لا تستخدم أي جهاز كهربائي حينما تكون مرهقاً أو تحت تأثير المخدرات أو الكحول أو الأدوية. قد تؤدي لحظة عدم انتباه واحدة أثناء تشغيل الأجهزة الكهربائية إلى وقوع إصابة شخصية خطيرة.

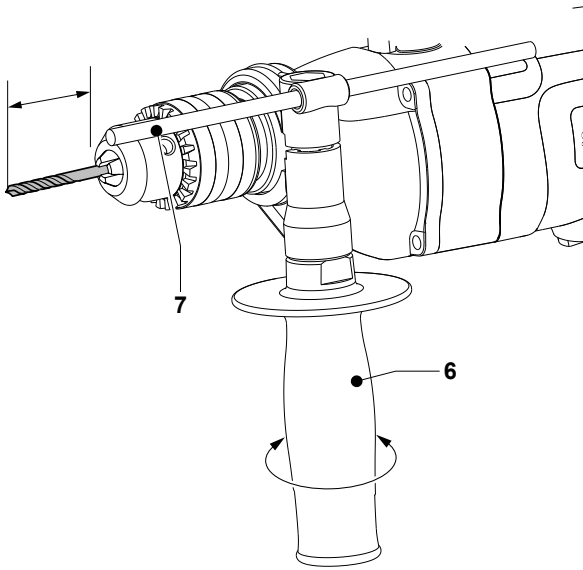
ب. استخدم معدات الحماية الشخصية. احرص دوماً على ارتداء واقي العينين. إن استخدام معدات الحماية مثل قناع الأتربة وأذني السلامة المقاومة للانزلاق والخوذة الصلبة وواقي الأذن في الظروف المناسبة يقلل من وقوع الإصابات الشخصية.

ج. تجنب التشغيل العرضي: احرص على أن يكون مفتاح التشغيل في وضع الإيقاف قبل توصيله بمصدر الطاقة و/أو علبه البطارية أو قبل التقاط الجهاز أو حمله. قد تقع حوادث نتيجة حمل الأجهزة الكهربائية مع وضع الأضغ على مفتاح التشغيل أو توصيل الأدوات الكهربائية بالمقبس حينما يكون مفتاح التشغيل على وضع التشغيل.

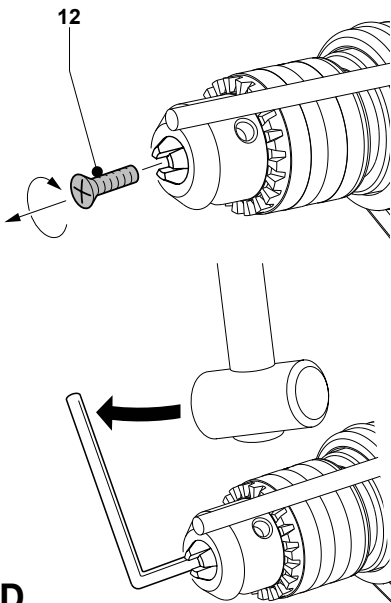
د. قم بإزالة أي مفتاح ضبط أو مفتاح ربط قبل تشغيل الجهاز. فقد يؤدي ترك مفتاح الربط أو المفتاح عالقاً في الجزء الدوار بالجهاز إلى وقوع إصابات شخصية.

هـ. لا تمد يديك بالجهاز لمسافة بعيدة. ضع قدميك في موضع مناسب واحتفظ بالتوازن المناسب في جميع الأوقات. حيث يتيح لك ذلك إمكانية التحكم بشكل أفضل في الجهاز في المواقف غير المتوقعة.

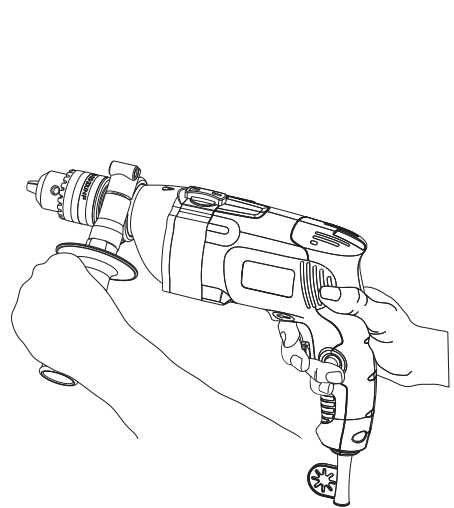
و. ارتد ملابس مناسبة. لا ترتد الملابس الفضفاضة أو الحلي. احرص على إبقاء شعرك وملابسك وقفازاتك بعيدة عن الأجزاء المتحركة. فقد تسحب الأجزاء الدوارة الملابس الفضفاضة أو الحلي أو الشعر الطويل.



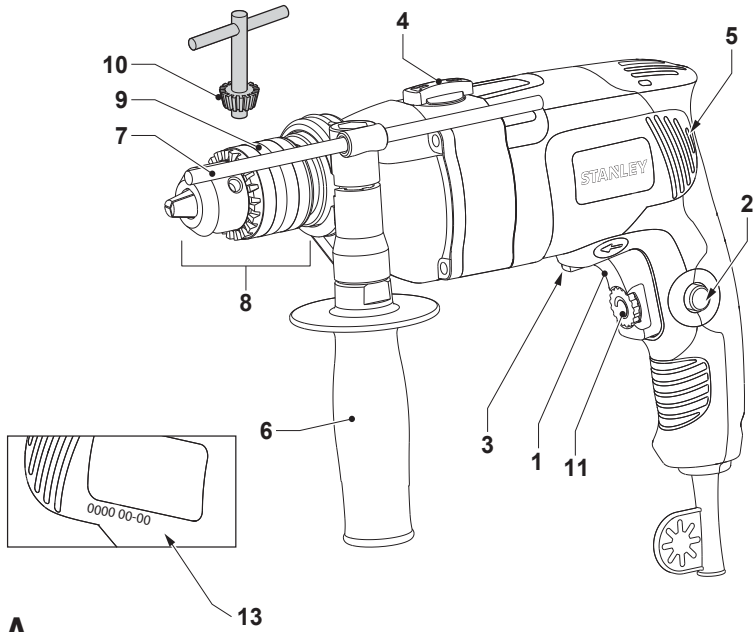
C



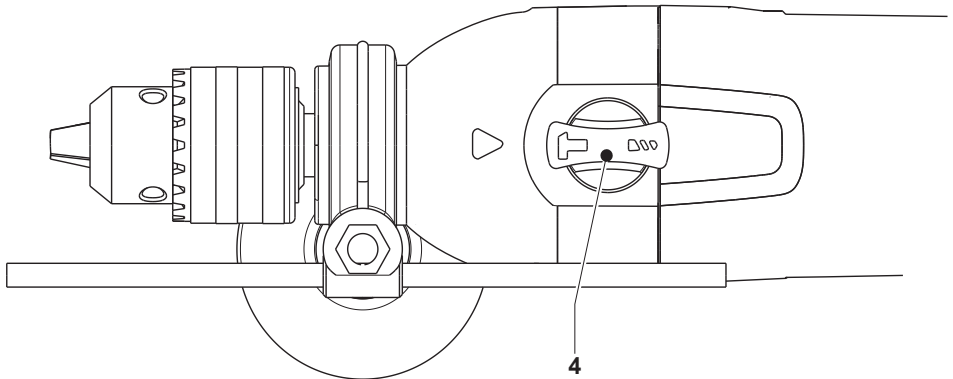
D



E



A



B

Names & Addresses for STANLEY Service Concessionaries - MIDDLE EAST & AFRICA

ALGERIA: Sarl Outillage Corporation, 08 Rue Med Boudiaf - Cheraga - Algiers, Algeria. Tel: (213-21) 375130, Fax: (213-21) 369667. **ANGOLA:** Angoferraria, Lda., Rua Robert Shields, No. 61, Luanda, Angola. Tel: 00244-222-395837 / 222-395034, Fax: 00244-222-394790. **AZERBAIJAN:** Royalton Holdings Ltd. 41 Khagani St. Apt. 47 AZ 1001, Baku. Tel: (994-12) 4935544, Fax: (994-12) 5980378. **BAHRAIN:** Kavalani & Sons W.L.L., P.O. Box 71, Sitra, Manama, Tel: (973) 17732888, Fax: (973) 17737379. Alfouz Services Co. W.L.L., P.O. Box 26562, Tubli, Manama. Tel: (973) 17783562, Fax: (973) 17783479. **EGYPT:** El Farab S.A.E., 15-Nabil El Wakkad Street, Dokki, Giza, Egypt. Tel: 00202-37603946 / 002-010-2582544, Fax: 00202-33352796. **ETHIOPIA:** Seif Tewfik Sherif, Arada Sub-City, Kebele 01/02, Global Insurance Building, 2nd Floor, Room 43, P.O. Box 2525, Addis Ababa, Ethiopia. Tel: (251-11) 1563968/ 1563969, Fax: (251-11) 1558009. **IRAQ:** Financial Links, Kazzaz Building Ararat Al-Hindia Block No: 629 Street: 31 Building No: 1 Baghdad - Iraq. Tel: 00964 (0)780 195 2223/ 00964 (0)781 3763044. Al Sard Co. for General Trading Ltd. Jbara Bldg. 3Flr, Al Rasheed St. Baghdad. Tel: (964) 18184102. Sakhar Group, Arrasat al-hindya Al Masbah, Baghdad. (964) 7400144446. **JORDAN:** Palestine Bldg. (Bashiti Hardware), 93 King Abdullah 2nd Street. Opp. ELBA House, P.O. Box 3005, Amman 11953, Tel: (962-6) 5349098, Fax: (962-6) 5330731. **KENYA:** Dextron Tools Ltd., P.O. Box 20121-00200, Shariff House, Kimathi Street, Nairobi. Tel: (254-20) 6905000/ 2358021, Fax: (254-20) 6905111/ 6905112. **KUWAIT:** Al Omar Technical Co., P.O. Box 4062, 13041 Safat, Kuwait. Tel: (965) 24848595/ 24840039, Fax: (965) 24845652. Fawaz Al Zayani Establishment, P.O. Box 42426, Shop No. 18, Al Humaizi Commercial Complex, Khalifa Al Jassim, Shuwaikh, Kuwait. Tel: (965) 24828710, Fax: (965) 24828716. Fawaz Al Zayani Establishment, P.O. Box 42426, Shop No.18, Al Humaizi Commercial Complex, Khalifa Al Jassim, Shuwaikh, Kuwait. Tel: (965) 24828710, Fax: (965) 24828716. **LEBANON:** Est. Shaya & Azar S.A.R.L., Boulevard Jdeideh - Mar Takla - Bouchrieh, P.O. Box 90545 Jdeideh.Beirut - Lebanon. Tel: 00961 1 872305 / 306 , Fax: 00961 1 872303. **LIBYA:** North Africa Trading (El Ghoul Brothers), AlHilal Service Center Tawergha St. Misurata. Tel: 00218-091-3221408. **(Benghazi)** Sniydal st., Amr Ibn El-Aas Rd. Tel: (+218) 92 5771120. **(Tripoli)** Al Barniq Service Center, Mokhazin elskur st., ElFallah. Tel: (+218) 21 4808019. **(Misrata)** Al Hilal Service Center, Tawergha st. Tel: (+218) 51 2626743. **MAURITIUS:** Robert Le Marie Limited, Old Moka Road, Bell Village, P.O. Box 161, Port Louis, Tel: 00230-212 1865/ 212 2847, Fax: 00230-2080843. **MOROCCO:** Ets Louis Guillaud & Cie, 149, Quartier Industriel, Moulay Rachid, Casablanca, Postal Code 20450, Morocco. Tel: 00212-522729233, Fax: 00212-522729096. **NIGERIA:** Meridian Power Tools Ltd., Gr.Floor, #1 Alhaji Masha Rd, Next to Teslim Balogun Stadium, Near National Stadium Surulere, Lagos, Nigeria. Tel: 00234-1-7740431 / 7740410, Fax: 00234-1-7913798. **OMAN:** Al Jizzi Company LLC, P.O. Box 1704,PC 112 Ruwi, Oman. Tel: (968) 24832618/ 24835153, Fax: (968) 24831334/24836460. Al Hassan Technical & Construction Supplies Co. LLC, P.O. Box 1948, P.C. 112, Ruwi, Tel: (968) 24810575 / 24837054, Fax: (968) 24810287/ 24833080. Oman Hardware Co. LLC, P.O. Box 635, Ruwi Postal Code 112, Te. (968) 24815131, Fax: (968) 24816491. Khimji Ramdas, P.O. Box 19, Post Code 100, Ghala, Muscat, Oman. Tel: (968) 24595906/ 907, Fax: (968) 24852752. Oman Marketing & Service Co. (Omasco), P.O. Box 2734, Behind Honda Showroom, Wattayah, Oman. Tel: (968) 24560232/ 24560255, Fax: (968) 24560993. Oman Marketing & Service Co. (Omasco), Al Ohi, Sohar, Oman. Tel: (968) 26846379, Fax: (968) 26846379. Oman Marketing & Service Co. (Omasco), Sanaya, Salalah, Oman. Tel: (968) 23212290, Fax: (968) 23210936. **PAKISTAN:** ZIT Co - Nasir & Bros., 2nd Floor, Qadri Center, Chokwal Dargan Railway Road, Lahore, Pakistan. Tel: 0092 42 37670839, Fax: 0092 42 37652989. Ammar Service & Spares, 60-Bank Arcade, Serai Road, Karachi, Pakistan. Tel: (92-21) 32426905, Fax: (92-21) 32427214. **QATAR:** Teyseer Industrial Supplies & Services Co. W.L.L, 55, Al Wakalat St. (Between St. 18 & 19) Salwa Industrial Area, P.O. Box 40523 Doha, Qatar. Tel: (974) 44581536, Fax: (974) 44682024. Shaheen Electrical Works & Trading Co. W.L.L, Gate 34, St. 44 Industrial Area P.O. Box 9756, Doha, Qatar. Tel: (974) 44600230 / 44600525, Fax: (974) 44601338. Al Mufah Service Centre, Al Wakrah Road, P.O. Box 875, Doha, Qatar. Tel: (974) 44650880/ 44650110/ 44446868, Fax: (974) 44441415 / 44662599. **SAUDI ARABIA: (Al Bahr)** Mohamed Ahmed Bin Afif Est., P.O. Box 530, Yanbu, Al Bahr. Tel: (966-4) 3222626/ 3228867, Fax: (966-4) 3222210. **(Al Khobar)** Fawaz Ebrahim Al Zayani Trading Est., P.O. Box 76026, Al Khobar # 31952, Tel: (966-3) 8140914, Fax: (966-3) 8140824. MSS (Al-Mojil Supply & Services) P.O. Box 450, Jubail 31951, Opp. Gulf Bridge Library & Riyadh House. Tel: (966-3) 3612850/ 3624487/ 3621729, Fax: (966-3) 3623589/ 3620783. **(Dammam)** MSS (Al-Mojil Supply & Services), P.O. Box 450, Jubail 31951, Opp-Gulf Bridge Library & Riyadh House. Tel: (966-3) 3612850 / 3624487 / 3621729, Fax: (966-3) 3623589 / 3620783. **(Al Bawardi Tools & Hardware)**, P.O. Box 112, Dammam, Tel: (966-3) 8330780 Ext.24 / 8348585 Ext. 24 / +966-3-8335555, Fax: (966-3) 8336303. **(Al Hassa)** Mutawa Trading & Gen. Services, Maliki road Hafuf city, Al Hassa, KSA. Tel: (966-6) 502846275 **(Jeddah)** Al Bawardi Tools & Hardware, P.O. Box 16905, Jeddah 21474, Tel: (966-2) 6444547 / 6439035 / 6456095, Fax: (966-2) 6439024. EAC (Al Yousef Contg. & Trdg. Est.), P.O. Box 30377, Jeddah -21477, Tel: (966-2) 6519912, Fax: (966-2) 6511153. **(Madina)** Garziz Trading for Bldg Mat & Decoration, P.O. Box 3364, Madina. Tel: (966-4) 826 14 90 / 8227636, Fax: (966-4) 8265741. **(Riyadh)** Industrial Material Organization (IMO), P.O. Box 623, Rld Street ,Riyadh, Tel: (966-1) 4028010 Ext 26 / 8001245757, Fax: (966-1) 4037970. Sultan Garment Factory (RSC), P.O. Box 29912, Riyadh 11467, KSA, Tel: (966-1) 4055148 / 4042889, Fax: (966-1) 4055148. Al Bawardi Tools & Hardware, P.O. Box 68, Riyadh 11411, Tel: (966-1) 4484999, Fax: (966-1) 4487877. **(Yanbu)** Fawaz Ebrahim Al Zayani, Opposite to Al Fouzan, Jeddah highway or King Abdul Aziz road, Yanbu. Tel: (966-4) 3960980, Fax: (966-4) 3961980. Mohamed Ahmed Bin Afif Est., P.O. Box 530, Yanbu, Al Bahr, Tel: (966-4) 3222626/ 3228867, Fax: (966-4) 3222210. **SOUTH AFRICA:** Stanley Black & Decker - RSA, 199 Winetree Drive Stormill Exit 9 Rooodepoort. Tel: (2711) 472 0454, Fax: (2711) 472 0482. Trevco Power Tool Service 14 Steenbok Street, Koedoespoort, 0186, Pretoria, South Africa. Tel: (27-86) 1873826, Fax: (27-86) 5001771. **TANZANIA:** General Motors investment Ltd., P.O. Box 16541, 14 Nyerere Road, Vingunguti, Dar-es-Salaam. Tel: (255 22) 2862661/ 2865022, Fax: (255 22) 2862667. **TUNISIA:** Societe Tunisienne De Maintenance (STM), Rue de la Physique. Nouvelle Zone Industrielle Ben Arous., 2013 Ben Arous, Tunisia. Tel: (+216) 79 389687, Fax: (+216) 71 385154. **UAE: (Abu Dhabi)** Light House Electrical, P.O. Box 120, Abu Dhabi. Tel: (971-2) 6726131, Fax: (971-2) 6720667. Galaxy Equipment Trading, Madinat Zayed (Baada Zaid), Abu Dhabi P.C. 58910, Tel: (971-2) 8844279, Fax: (971-2) 8844297 **(Ajman)** Al Sukoon Gen. Trdg. Co. LLC, P.O. Box 2975, Ajman. Tel: (971-6) 7435725/ 7438317, Fax: (971-6) 7437350, Al Sukoon Gen. Trdg. Co. LLC, P.O. Box 2975, Ajman, Tel: (971-6) 7435725 / 7438317, Fax: (971-6) 7437350 **(Al Ain)** Zillion Equipment and Spare Parts Trading LLC, P.O. Box 19740, Opp. Bin Sada/ Trimix Redymy Sanaiya, Al Ain. Tel: (971-3) 7216690, Fax: (971-3) 7216103. **(Dubai)** Black & Decker (Overseas) GmbH, P.O. Box 5420, Dubai. Tel: (971-4) 8127400/ 8127406, Fax: (971-4)2822765. Ideal Star Workshop Eqp't.Trading LLC, P.O. Box 37116, Al Quoz, Dubai. Tel: (971-4) 3474160, Fax: (971-4) 3474157, Fine Tools, P.O.Box 30139, Al Quoz, Dubai, Tel: (971-4) 3385240, Fax: (971-4) 3385239, Albreah Engineering Service, P.O. Box 78954, Al Qusais , Dubai. Tel: (971-4) 2850044, Fax: (971-4) 2844802. **(Musafah)** Light House Electrical, P.O. Box 120, Abu Dhabi. Tel: (971-2) 5548315, Fax: (971-2) 5540461. **(Sharjah)** Mc Coy Middle East LLC, P.O. Box 25793, Sharjah. Tel: (971-6) 5395931, Fax: (971-6) 5395932. Burj Al Madeena, Industrial Area No.1, Opp. Pakistani Masjid, P.O. Box 37635, Sharjah. Tel: (971-6) 5337747, Fax: (971-6) 5337719. Burj Al Madeena , Industrial Area No 1, opp Pakistani Masjid P.O. Box 37635, Sharjah. Tel: (971-6) 5337747, Fax: (971-6) 5337719 **(Ras Al Khaimah)** Mc Coy Middle East LLC, P.O. Box 10584, Ras Al Khaimah. Tel: (971-7) 2277095, Fax: (971-7) 2277096. **UGANDA:** The Building Center (U) Ltd., 52 Station Road, Kitgum House, P.O. Box 7436, Kampala, Uganda. Tel: (256-41) 4234567/ 4259754, Fax: (256-41) 4236413. **YEMEN: (Aden)** Middle East Trad. Co. Ltd. (METCO), Mualla Dakka, Aden, Yemen. Tel: (967-2) 222670, Fax: (967-2) 222670. **(Sana'a)** Middle East Trad. Co. Ltd. (METCO), Hayel St., Sana'a, Yemen. Tel: (967-1) 204201, Fax: (967-1) 204204. **(Taiz)** Middle East Trading Co. (METCO), P.O. Box 12363, 5th Flr, Hayel Saeed Anam Bldg, Al-Mugamma St. Taiz, Yemen. Tel: (967-4) 213455, Fax: (967-4) 219869.