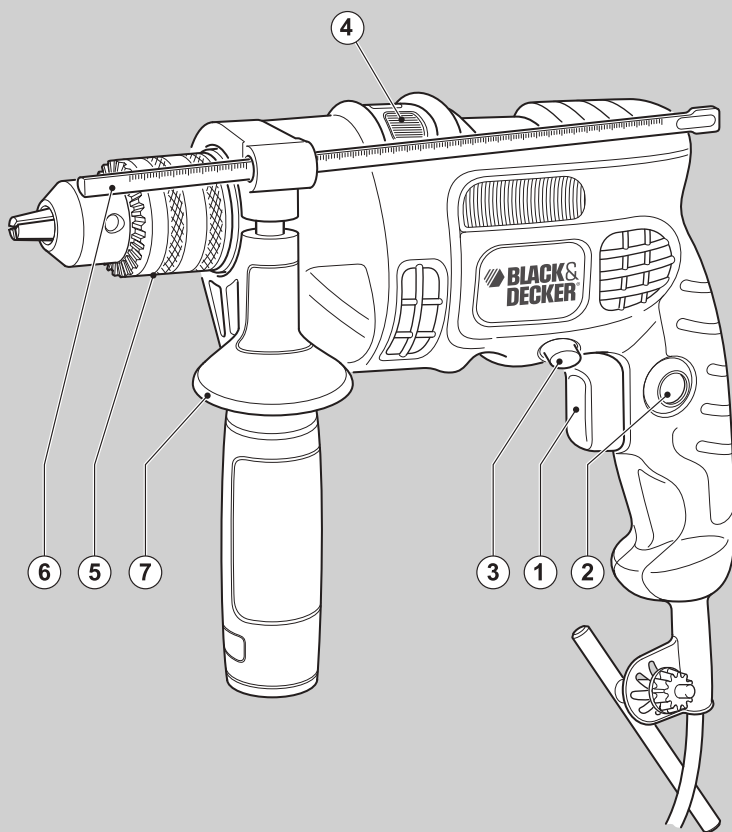


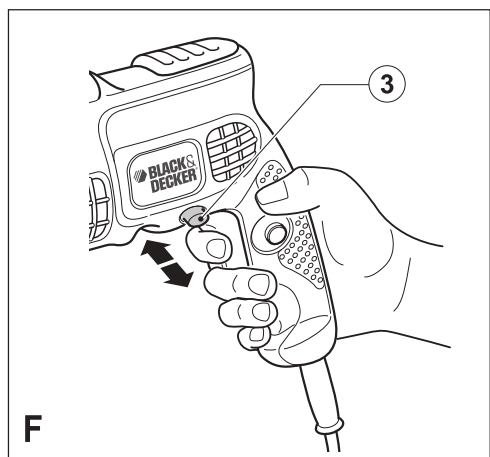
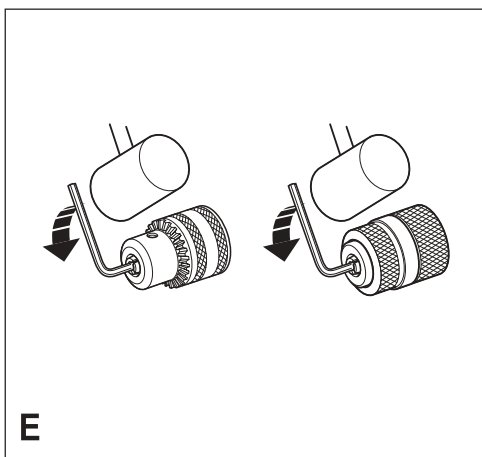
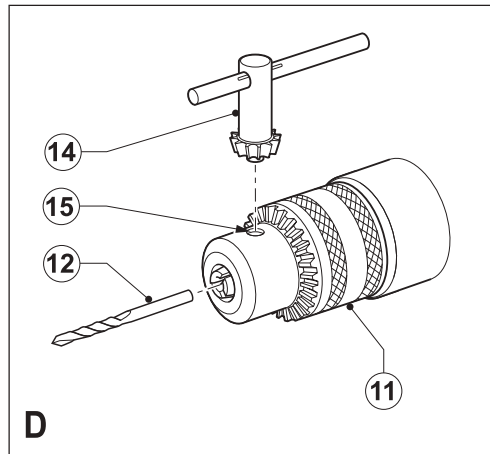
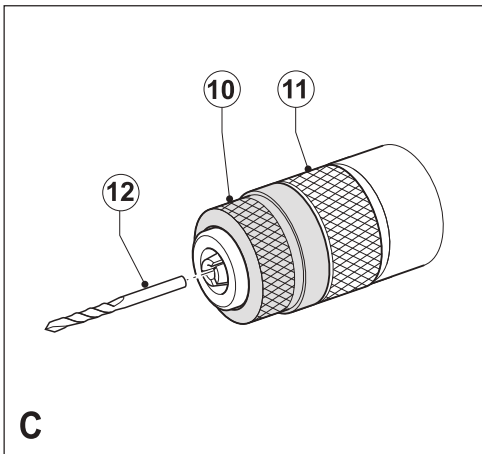
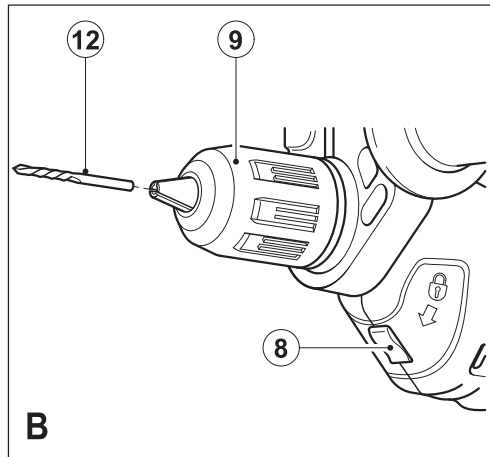
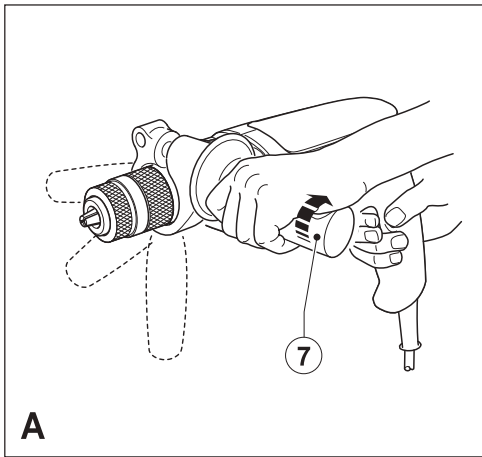
BLACK&DECKER®

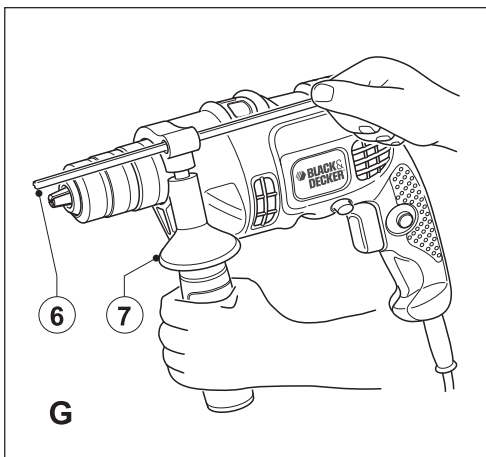


**CD714RE
CD714CRE
CD714CRES
KR604CRES
KR654CRES
KR714CRES**

www.blackanddecker.eu

English	(Original instructions)	5
Deutsch	(Übersetzung der Originalanleitung)	10
Français	(Traduction des instructions d'origine)	16
Česky	(Přeloženo z původního návodu)	22
Magyar	(Fordítás az eredeti kezelési utasítás alapján készült)	28
Polski	(Tłumaczenie oryginalnej instrukcji)	35
Slovenčina	(Preložené z pôvodného návodu)	42
Русский язык	(Перевод с оригинала инструкции)	48
Українська	(Переклад оригінальних інструкцій)	56
Türkçe	(Çevirisi orijinal talimatlardan yapılmıştır)	63





Intended use

Your Black & Decker drill has been designed for drilling in wood, metal and plastics and masonry as well as for screwdriving purposes. This tool is intended for consumer use only.

Safety instructions

General power tool safety warnings



Warning! Read all safety warnings and all instructions. Failure to follow all instructions may result in electric shock, fire and/or serious injury.

Save all warnings and instructions for future reference. The term “power tool” in all of the warnings listed below refers to your mains operated (corded) power tool or battery operated (cordless) power tool.

1. **Work area safety**
 - a. **Keep work area clean and well lit.** Cluttered and dark areas invite accidents.
 - b. **Do not operate power tools in explosive atmospheres, such as in the presence of flammable liquids, gases or dust.** Power tools create sparks which may ignite the dust or fumes.
 - c. **Keep children and bystanders away while operating a power tool.** Distractions can cause you to lose control.
2. **Electrical safety**
 - a. **Power tool plugs must match the outlet. Never modify the plug in any way. Do not use any adapter plugs with earthed (grounded) power tools.** Unmodified plugs and matching outlets will reduce risk of electric shock.
 - b. **Avoid body contact with earthed or grounded surfaces such as pipes, radiators, ranges and refrigerators.** There is an increased risk of electric shock if your body is earthed or grounded.
 - c. **Do not expose power tools to rain or wet conditions.** Water entering a power tool will increase the risk of electric shock.
 - d. **Do not abuse the cord. Never use the cord for carrying, pulling or unplugging the power tool. Keep cord away from heat, oil, sharp edges or moving parts.** Damaged or entangled cords increase the risk of electric shock.
 - e. **When operating a power tool outdoors, use an extension cord suitable for outdoor use.** Use of a cord suitable for outdoor use reduces the risk of electric shock.
3. **Personal safety**
 - a. **Stay alert, watch what you are doing and use common sense when operating a power tool. Do not use a power tool while you are tired or under the influence of drugs, alcohol or medication.** A moment of inattention while operating power tools may result in serious personal injury.
 - b. **Use personal protective equipment. Always wear eye protection.** Protective equipment such as dust mask, non-skid safety shoes, hard hat, or hearing protection used for appropriate conditions will reduce personal injuries.
 - c. **Prevent unintentional starting. Ensure the switch is in the off-position before connecting to power source and/or battery pack, picking up or carrying the tool.** Carrying power tools with your finger on the switch or energising power tools that have the switch on invites accidents.
 - d. **Remove any adjusting key or wrench before turning the power tool on.** A wrench or a key left attached to a rotating part of the power tool may result in personal injury.
 - e. **Do not overreach. Keep proper footing and balance at all times.** This enables better control of the power tool in unexpected situations.
 - f. **Dress properly. Do not wear loose clothing or jewellery. Keep your hair, clothing and gloves away from moving parts.** Loose clothes, jewellery or long hair can be caught in moving parts.
 - g. **If devices are provided for the connection of dust extraction and collection facilities, ensure these are connected and properly used.** Use of these devices can reduce dust related hazards
4. **Power tool use and care**
 - a. **Do not force the power tool. Use the correct power tool for your application.** The correct power tool will do the job better and safer at the rate for which it was designed.
 - b. **Do not use the power tool if the switch does not turn it on and off.** Any power tool that cannot be controlled with the switch is dangerous and must be repaired.
 - c. **Disconnect the plug from the power source and/or the battery pack from the power tool before making any adjustments, changing**
- f. **If operating a power tool in a damp location is unavoidable, use a Residual Current Device (RCD) protected supply.** Use of an RCD reduces the risk of electric shock.

- accessories, or storing power tools.** Such preventive safety measures reduce the risk of starting the power tool accidentally.
- d. **Store idle power tools out of the reach of children and do not allow persons unfamiliar with the power tool or these instructions to operate the power tool.** Power tools are dangerous in the hands of untrained users.
 - e. **Maintain power tools. Check for misalignment or binding of moving parts, breakage of parts and any other condition that may affect the power tools operation. If damaged, have the power tool repaired before use.** Many accidents are caused by poorly maintained power tools.
 - f. **Keep cutting tools sharp and clean.** Properly maintained cutting tools with sharp cutting edges are less likely to bind and are easier to control.
 - g. **Use the power tool, accessories and tool bits etc. in accordance with these instructions, taking into account the working conditions and the work to be performed.** Use of the power tool for operations different from those intended could result in a hazardous situation.
5. **Service**
- a. **Have your power tool serviced by a qualified repair person using only identical replacement parts.** This will make sure that the safety of the power tool is maintained.

Additional power tool safety warnings



Warning! Additional safety warnings for drills and impact drills.

- ◆ **Wear ear protectors with impact drills.** Exposure to noise can cause hearing loss.
- ◆ **Use auxiliary handles supplied with the tool.** Loss of control can cause personal injury.
- ◆ **Hold power tool by insulated gripping surfaces when performing an operation where the cutting accessory may contact hidden wiring or its own cord.** Cutting accessory contacting a "live" wire may make exposed metal parts of the power tool "live" and shock the operator.
- ◆ **Use clamps or another practical way to secure and support the workpiece to a stable platform.** Holding the work by hand or against your body leaves it unstable and may lead to loss of control.
- ◆ Before drilling into walls, floors or ceilings, check for the location of wiring and pipes.

- ◆ Avoid touching the tip of a drill bit just after drilling, as it may be hot.
- ◆ The intended use is described in this instruction manual. The use of any accessory or attachment or performance of any operation with this tool other than those recommended in this instruction manual may present a risk of personal injury and/or damage to property.

Safety of others

- ◆ This tool is not intended for use by persons (including children) with reduced physical, sensory or mental capabilities, or lack of experience and knowledge, unless they have been given supervision or instruction concerning use of the appliance by a person responsible for their safety.
- ◆ Children should be supervised to ensure that they do not play with the appliance.

Vibration

The declared vibration emission values stated in the technical data and the declaration of conformity have been measured in accordance with a standard test method provided by EN 60745 and may be used for comparing one tool with another. The declared vibration emission value may also be used in a preliminary assessment of exposure.

Warning! The vibration emission value during actual use of the power tool can differ from the declared value depending on the ways in which the tool is used. The vibration level may increase above the level stated.

When assessing vibration exposure to determine safety measures required by 2002/44/EC to protect persons regularly using power tools in employment, an estimation of vibration exposure should consider, the actual conditions of use and the way the tool is used, including taking account of all parts of the operating cycle such as the times when the tool is switched off and when it is running idle in addition to the trigger time.

Labels on tools

The following pictograms are shown on the tool.



Warning! To reduce the risk of injury, the user must read the instruction manual.

Electrical safety



This tool is double insulated; therefore no earth wire is required. Always check that the power supply corresponds to the voltage on the rating plate.

- ◆ If the supply cord is damaged, it must be replaced by the manufacturer or an authorised Black & Decker Service Centre in order to avoid a hazard.

Features

1. Variable speed switch
2. Lock-on button
3. Forward/reverse button
4. Drilling mode selector
5. Chuck
6. Depth stop (not all models)
7. Side handle (not all models)

fig. B

8. Manual spindle lock button (single sleeve keyless chuck only)

Assembly

Warning! Before assembly, make sure that the tool is switched off and unplugged.

Fitting the side handle and depth stop (fig. A & G)

- ◆ Turn the grip counter clockwise until you can slide the side handle (7) onto the front of the tool as shown.
- ◆ Rotate the side handle into the desired position.
- ◆ Insert the depth stop (6) into the mounting hole as shown.
- ◆ Set the drilling depth as described below.
- ◆ Tighten the side handle by turning the grip clockwise.

Fitting a drill bit

Single sleeve keyless chuck (fig. B)

- ◆ Open the chuck by pressing the manual spindle lock button (8) and turning the sleeve (9) counter clockwise.
- ◆ Insert the bit shaft (12) into the chuck.
- ◆ Firmly tighten the chuck by pressing the manual spindle lock button (8) and turning the sleeve clockwise until it is tight.

Two sleeve keyless chuck (fig. C)

- ◆ Open the chuck by turning the sleeve (13) counter clockwise.
- ◆ Insert the bit shaft (12) into the chuck and firmly tighten the chuck.

Keyed chuck (fig. D)

- ◆ Open the chuck by turning the sleeve (11) counter clockwise.
- ◆ Insert the bit shaft (12) into the chuck.

- ◆ Insert the chuck key (14) into each hole (15) in the side of the chuck and turn clockwise until tight.

Removing and refitting the chuck (fig. E)

- ◆ Open the chuck as far as possible.
- ◆ Remove the chuck retaining screw, located in the chuck, by turning it clockwise using a screwdriver.
- ◆ Tighten an Allen key into the chuck and strike it with a hammer as shown.
- ◆ Remove the Allen key.
- ◆ Remove the chuck by turning it counter clockwise.
- ◆ To refit the chuck, screw it onto the spindle and secure it with the chuck retaining screw.

Residual risks

Additional residual risks may arise when using the tool which may not be included in the enclosed safety warnings. These risks can arise from misuse, prolonged use etc.

Even with the application of the relevant safety regulations and the implementation of safety devices, certain residual risks cannot be avoided. These include:

- ◆ Injuries caused by touching any rotating/moving parts.
- ◆ Injuries caused when changing any parts, blades or accessories.
- ◆ Injuries caused by prolonged use of a tool. When using any tool for prolonged periods make sure you take regular breaks.
- ◆ Impairment of hearing.
- ◆ Health hazards caused by breathing dust developer when using your tool (example:- working with wood, especially oak, beech and MDF).

Use

Warning! Let the tool work at its own pace. Do not overload.

Warning! Before drilling into walls, floors or ceilings, check for the location of wiring and pipes.

Selecting the direction of rotation (fig. F)

For drilling and for tightening screws, use forward (clockwise) rotation. For loosening screws or removing a jammed drill bit, use reverse (counter clockwise) rotation.

- ◆ To select forward rotation, push the forward/reverse button (3) to the left position.
- ◆ To select reverse rotation, push the forward/reverse button to the right.

Warning! Never change the direction of rotation while the motor is running.

Selecting the drilling mode

- ◆ For drilling in masonry, set the drilling mode selector (4) to the **T** position.
- ◆ For drilling in other materials and for screwdriving, set the drilling mode selector to the **1** position.

Setting the drilling depth (fig. G)

- ◆ Slacken the side handle (7) by turning the grip counter clockwise.
- ◆ Set the depth stop (6) to the desired position. The maximum drilling depth is equal to the distance between the tip of the drill bit and the front end of the depth stop.
- ◆ Tighten the side handle by turning the grip clockwise.

Switching on and off

- ◆ To switch the tool on, press the variable speed switch (1). The tool speed depends on how far you press the switch. As a general rule, use low speeds for large diameter drill bits and high speeds for smaller diameter drill bits.
- ◆ For continuous operation, press the lock-on button (2) and release the variable speed switch. This option is available only at full speed in both forward and reverse modes.
- ◆ To switch the tool off, release the variable speed switch. To switch the tool off when in continuous operation, press the variable speed switch again and release it.

Accessories

The performance of your tool depends on the accessory used. Black & Decker and Piranha accessories are engineered to high quality standards and designed to enhance the performance of your tool. By using these accessories you will get the very best from your tool.

Maintenance

Your Black & Decker tool has been designed to operate over a long period of time with a minimum of maintenance. Continuous satisfactory operation depends upon proper tool care and regular cleaning.

Warning! Before performing any maintenance, switch off and unplug the tool.

- ◆ Regularly clean the ventilation slots in your tool using a soft brush or dry cloth.
- ◆ Regularly clean the motor housing using a damp cloth. Do not use any abrasive or solvent-based cleaner.
- ◆ Regularly open the chuck and tap it to remove any dust from the interior (when fitted).

Mains plug replacement (U.K. & Ireland only)

If a new mains plug needs to be fitted:

- ◆ Safely dispose of the old plug.
- ◆ Connect the brown lead to the live terminal in the new plug.
- ◆ Connect the blue lead to the neutral terminal.

Warning! No connection is to be made to the earth terminal. Follow the fitting instructions supplied with good quality plugs. Recommended fuse: 5 A.

Protecting the environment



Separate collection. This product must not be disposed of with normal household waste.

Should you find one day that your Black & Decker product needs replacement, or if it is of no further use to you, do not dispose of it with household waste. Make this product available for separate collection.



Separate collection of used products and packaging allows materials to be recycled and used again. Re-use of recycled materials helps prevent environmental pollution and reduces the demand for raw materials.

Local regulations may provide for separate collection of electrical products from the household, at municipal waste sites or by the retailer when you purchase a new product.

Black & Decker provides a facility for the collection and recycling of Black & Decker products once they have reached the end of their working life. To take advantage of this service please return your product to any authorised repair agent who will collect them on our behalf.

You can check the location of your nearest authorised repair agent by contacting your local Black & Decker office at the address indicated in this manual. Alternatively, a list of authorised Black & Decker repair agents and full details of our after-sales service and contacts are available on the Internet at: **www.2helpU.com**.

Technical data

	CD714RE TYPE 2	CD714CRE TYPE 2	CD714CRES TYPE 2	KR604CRES TYPE 2	KR654CRES TYPE 2	KR714CRES TYPE 2
Input voltage	Vac 230	230	230	230	230	230
Power input	W 710	710	710	600	650	710
No load speed	min ⁻¹ 0-2800	0-2800	0-2800	0-2800	0-2800	0-2800
Max drilling capacity						
Steel/ concrete	mm 13	13	13	13	13	13
Wood	mm 25	25	25	20	20	25
Weight	kg 2.0	2.0	2.0	2.0	2.0	2.0

Level of sound pressure according to EN 60745:

Sound pressure (L_{pA}) 101 dB(A), uncertainty (K) 3 dB(A),

Sound power (L_{WA}) 109 dB(A), uncertainty (K) 3 dB(A)

Vibration total values (triax vector sum) according to EN 60745:

Impact drilling into concrete ($a_{h, ID}$) = 17.97 m/s², uncertainty (K) = 1.5 m/s²

Drilling into Metal ($a_{h, D}$) = 3.37 m/s², uncertainty (K) = 1.5 m/s²

EC declaration of conformity

MACHINERY DIRECTIVE



**CD714RE, CD714CRE, CD714CRES,
KR604CRES, KR654CRES, KR714CRES**

Black & Decker declares that these products described under "technical data" are in compliance with: 2006/42/EC, EN60745-1, EN60745-2-1

For more information, please contact Black & Decker at the following address or refer to the back of the manual.

The undersigned is responsible for compilation of the technical file and makes this declaration on behalf of Black & Decker.

Kevin Hewitt
Vice-President Global Engineering
Black & Decker Europe, 210 Bath Road, Slough,
Berkshire, SL1 3YD
United Kingdom
01-04-2011

Guarantee

Black & Decker is confident of the quality of its products and offers an outstanding guarantee. This guarantee statement is in addition to and in no way prejudices your statutory rights. The guarantee is valid within the territories of the Member States of the European Union and the European Free Trade Area.

If a Black & Decker product becomes defective due to faulty materials, workmanship or lack of conform-

ity, within 24 months from the date of purchase, Black & Decker guarantees to replace defective parts, repair products subjected to fair wear and tear or replace such products to make sure of the minimum inconvenience to the customer unless:

- ◆ The product has been used for trade, professional or hire purposes.
- ◆ The product has been subjected to misuse or neglect.
- ◆ The product has sustained damage through foreign objects, substances or accidents.
- ◆ Repairs have been attempted by persons other than authorised repair agents or Black & Decker service staff.

To claim on the guarantee, you will need to submit proof of purchase to the seller or an authorised repair agent. You can check the location of your nearest authorised repair agent by contacting your local Black & Decker office at the address indicated in this manual. Alternatively, a list of authorised Black & Decker repair agents and full details of our after-sales service and contacts are available on the Internet at: **www.2helpU.com**.

Please visit our website **www.blackanddecker.co.uk** to register your new Black & Decker product and to be kept up to date on new products and special offers. Further information on the Black & Decker brand and our range of products is available at **www.blackanddecker.co.uk**.

Bestimmungsgemäße Verwendung

Ihre Black & Decker Bohrer wurde zum Bohren in Holz, Metall, Kunststoff und Mauerwerk sowie für Schraubarbeiten entwickelt. Dieses Gerät ist nicht für den gewerblichen Einsatz vorgesehen.

Sicherheitshinweise

Allgemeine Sicherheitswarnungen für das Gerät



Achtung! Lesen Sie sämtliche Sicherheitswarnungen und Anweisungen. Die Nichteinhaltung der aufgeführten Anweisungen kann einen elektrischen Schlag, Brand und/oder schwere Verletzungen verursachen.

Bewahren Sie alle Sicherheitswarnungen und Anweisungen gut auf. Der nachfolgend verwendete Begriff „Gerät“ bezieht sich auf netzbetriebene Geräte (mit Netzkabel) und auf akkubetriebene Geräte (ohne Netzkabel).

1. Sicherheit im Arbeitsbereich

- a. **Halten Sie Ihren Arbeitsbereich sauber, und sorgen Sie für ausreichende Beleuchtung.** Unordnung und das Arbeiten bei unzureichender Beleuchtung können zu Unfällen führen.
- b. **Betreiben Sie das Gerät nicht in Umgebungen, in denen Explosionsgefahr z. B. aufgrund von brennbaren Flüssigkeiten, Gasen oder Staub besteht.** Elektrische Geräte erzeugen Funken, die den Staub oder die Dämpfe entzünden können.
- c. **Halten Sie Kinder und andere Personen während der Benutzung des Geräts fern.** Bei Ablenkung können Sie die Kontrolle über das Gerät verlieren.

2. Elektrische Sicherheit

- a. **Der Netzstecker des Geräts muss in die Steckdose passen. Der Stecker darf in keiner Weise verändert werden. Verwenden Sie für schutzgeerdete Geräte keine Adapterstecker.** Unveränderte Stecker und passende Steckdosen verringern das Risiko eines elektrischen Schlags.
- b. **Vermeiden Sie Körperkontakt mit geerdeten Oberflächen von Rohren, Heizungen, Herden und Kühlschränken.** Es besteht ein erhöhtes Risiko eines elektrischen Schlags, wenn Ihr Körper geerdet ist.
- c. **Schützen Sie das Gerät vor Regen und Nässe.** Das Eindringen von Wasser in ein Gerät erhöht das Risiko eines elektrischen Schlags.
- d. **Verwenden Sie das Kabel ordnungsgemäß.**

Verwenden Sie es niemals zum Tragen. Trennen Sie das Gerät nicht durch Ziehen am Kabel vom Netz. Halten Sie das Kabel fern von Hitze, Öl, scharfen Kanten oder sich bewegenden Teilen. Beschädigte oder verwickelte Kabel erhöhen das Risiko eines elektrischen Schlags.

- e. **Wenn Sie mit einem Gerät im Freien arbeiten, verwenden Sie nur Verlängerungskabel, die auch für den Außenbereich zugelassen sind.** Die Verwendung eines für den Außenbereich geeigneten Verlängerungskabels verringert das Risiko eines elektrischen Schlags.
 - f. **Wenn das Gerät in einer feuchten Umgebung verwendet werden muss, schließen Sie es unbedingt an eine Steckdose mit Fehlerstromschutzschalter (FI-Schalter) an.** Ein Fehlerstromschutzschalter verringert das Risiko eines elektrischen Schlags.
- #### 3. Sicherheit von Personen
- a. **Verwenden Sie das Gerät aufmerksam und vernünftig. Benutzen Sie das Gerät nicht, wenn Sie müde sind oder unter dem Einfluss von Drogen, Alkohol oder Medikamenten stehen.** Ein Moment der Unachtsamkeit beim Gebrauch von Geräten kann zu ernsthaften Verletzungen führen.
 - b. **Verwenden Sie eine geeignete Schutzausrüstung. Tragen Sie stets einen Augenschutz.** Schutzausrüstung wie Staubmaske, rutschfeste Sicherheitsschuhe, Schutzhelm oder Gehörschutz, je nach Art und Einsatz des Geräts, verringert das Risiko von Verletzungen.
 - c. **Vermeiden Sie eine unbeabsichtigte Inbetriebnahme. Vergewissern Sie sich, dass das Gerät ausgeschaltet ist, bevor Sie es an eine Steckdose oder einen Akku anschließen, es hochheben oder tragen.** Durch das Tragen des Geräts mit dem Finger am Schalter oder durch das Anschließen eingeschalteter Geräte werden Unfälle provoziert.
 - d. **Entfernen Sie Einstell- oder Schraubenschlüssel, bevor Sie das Gerät einschalten.** Ein Schlüssel in einem sich drehenden Teil kann zu Verletzungen führen.
 - e. **Beugen Sie sich nicht zu weit nach vorn über. Achten Sie jederzeit auf einen sicheren Stand, und halten Sie das Gleichgewicht.** So haben Sie das Gerät auch in einer unerwarteten Situation besser unter Kontrolle.
 - f. **Tragen Sie geeignete Kleidung. Tragen Sie keine weite Kleidung oder Schmuck. Halten Sie Haare, Kleidung und Handschuhe von beweglichen Teilen fern.** Lose Kleidung,

Schmuck oder lange Haare können von beweglichen Teilen erfasst werden.

- g. **Vergewissern Sie sich, dass etwaige Vorrichtungen zum Absaugen und Sammeln von Staub ordnungsgemäß angeschlossen und verwendet werden.** Diese Vorrichtungen verringern Gefährdungen durch Staub.
4. **Gebrauch und Pflege von Geräten**
 - a. **Überlasten Sie das Gerät nicht. Verwenden Sie das für Ihre Arbeit passende Gerät.** Durch das Arbeiten in dem für das Gerät angegebenen Leistungsbereich erzielen Sie nicht nur optimale Ergebnisse, Sie erhöhen auch die Sicherheit.
 - b. **Verwenden Sie das Gerät nicht, wenn der Ein-/Ausschalter nicht funktioniert.** Ein Gerät, das sich nicht mehr ein- oder ausschalten lässt, ist gefährlich und muss repariert werden.
 - c. **Ziehen Sie den Stecker aus der Steckdose oder trennen Sie das Gerät vom Akku, bevor Sie Einstellungen vornehmen, Zubehörteile wechseln oder das Gerät weglegen.** Diese Vorsichtsmaßnahme verhindert den unbeabsichtigten Start des Geräts.
 - d. **Bewahren Sie unbenutzte Geräte außerhalb der Reichweite von Kindern auf. Lassen Sie Geräte nicht von Personen benutzen, die damit nicht vertraut sind oder diese Anweisungen nicht gelesen haben.** Geräte sind gefährlich, wenn sie von unerfahrenen Personen benutzt werden.
 - e. **Halten Sie Geräte in einem einwandfreien Zustand. Kontrollieren Sie, ob bewegliche Teile falsch ausgerichtet sind oder klemmen und ob Teile gebrochen oder so beschädigt sind, dass die Funktion des Geräts beeinträchtigt ist. Lassen Sie beschädigte Geräte vor dem Gebrauch reparieren.** Viele Unfälle werden durch schlecht gewartete Geräte verursacht.
 - f. **Halten Sie Schneidwerkzeuge scharf und sauber.** Sorgfältig gepflegte Schneidwerkzeuge mit scharfen Schneidkanten bleiben nicht so leicht stecken und sind leichter zu führen.
 - g. **Verwenden Sie Gerät, Zubehör, Einsätze usw. entsprechend diesen Anweisungen, und berücksichtigen Sie dabei die Arbeitsbedingungen und die auszuführende Arbeit.** Der Gebrauch von Geräten für andere als die vorgesehenen Anwendungen kann zu gefährlichen Situationen führen.
 5. **Service**
 - a. **Lassen Sie das Gerät nur von qualifiziertem Fachpersonal und nur mit Originalersatzteilen reparieren.** So wird gewährleistet, dass die

Sicherheit des Geräts erhalten bleibt.

Zusätzliche Sicherheitswarnungen für das Gerät



Achtung! Zusätzliche Sicherheitswarnungen für Bohrschrauber und Schlagbohrmaschinen

- ◆ **Tragen Sie bei der Arbeit mit Schlagbohrmaschinen einen Gehörschutz.** Ein hoher Geräuschpegel kann zu Gehörschäden führen.
- ◆ **Verwenden Sie die mitgelieferten Zusatzgriffe.** Ein Kontrollverlust kann zu Verletzungen führen.
- ◆ **Halten Sie das Gerät an den isolierten Griffflächen, wenn Sie Arbeiten ausführen, bei denen das Werkzeug ein verdecktes Kabel oder das Gerätekabel berühren könnte.** Wenn das Werkzeug stromführende Leitungen berührt, kann sich die Spannung auf offen liegende Metallteile am Gerät übertragen, sodass der Bediener einen elektrischen Schlag erleidet.
- ◆ **Fixieren Sie das Werkstück mit Zwingen oder ähnlichen Hilfsmitteln auf einer stabilen Oberfläche.** Ein Werkstück, das mit der Hand oder gegen den Körper gehalten wird, ist unzureichend befestigt und kann leicht außer Kontrolle geraten.
- ◆ Prüfen Sie vor dem Bohren in Wände, Fußböden oder Decken diese Stellen auf dahinter liegende Kabel oder Rohre.
- ◆ Berühren Sie die Spitze des Bohreinsatzes nicht unmittelbar nach dem Bohren, da diese heiß sein kann.
- ◆ Der vorgesehene Verwendungszweck ist in dieser Anleitung beschrieben. Die Verwendung von Zubehör oder Anbauteilen, die nicht in dieser Anleitung empfohlen sind, sowie die Bedienung des Geräts in Abweichung von den in dieser Anleitung beschriebenen Verfahren kann zu Verletzungen und/oder Sachschäden führen.

Sicherheit anderer Personen

- ◆ Dieses Gerät darf nicht von Personen (einschließlich Kindern) mit eingeschränkten körperlichen, sensorischen oder geistigen Fähigkeiten oder mangelnder Erfahrung und Wissen in Bezug auf dessen Gebrauch bedient werden, es sei denn, sie werden bei der Verwendung des Geräts von einer erfahrenen Person beaufsichtigt oder angeleitet.
- ◆ Kinder müssen beaufsichtigt werden, um sicherzustellen, dass sie nicht mit dem Gerät spielen.

Vibration

Die in den Technischen Daten und der Konformitätserklärung angegebenen Werte für die Vibrationsemission wurden mit einer Standard-Prüfmethode nach EN 60745 ermittelt und können zum Vergleich verschiedener Geräte herangezogen werden. Außerdem kann mit Hilfe dieses Werts die Belastung bei Verwendung des Geräts schon im Voraus eingeschätzt werden.

Achtung! Die bei Verwendung des Geräts auftretende Vibrationsemission hängt von der Art des Gerätegebrauchs ab und kann dementsprechend vom angegebenen Wert abweichen. Gegebenenfalls kann die Vibration über dem angegebenen Wert liegen.

Mit Hilfe der ermittelten Werte der Vibrationsbelastung durch Elektrogeräte lassen sich Sicherheitsmaßnahmen festlegen, die gemäß 2002/44/EG zum Schutze von Personen bestimmt sind, die diese Geräte regelmäßig bei der Arbeit verwenden. Bei der Einschätzung der Vibrationsbelastung sollten die Gebrauchsumstände und die Art der Verwendung des Geräts sowie alle Schritte des Arbeitszyklus berücksichtigt werden, wozu Ruhe-, Leerlauf- und Startzeiten gehören.

Warnsymbole am Gerät

Am Gerät sind folgende Warnsymbole angebracht.



Achtung! Lesen Sie vor Gebrauch die Anleitung. Andernfalls besteht Verletzungsgefahr.

Elektrische Sicherheit



Dieses Gerät ist schutzisoliert, daher ist keine Erdleitung erforderlich. Überprüfen Sie immer, ob die Netzspannung der auf dem Typenschild des Geräts angegebenen Spannung entspricht.

- ◆ Ist das Netzkabel beschädigt, muss es durch den Hersteller oder eine Black & Decker Vertragswerkstatt ausgetauscht werden, um eine mögliche Gefährdung zu vermeiden.

Merkmale

1. Geschwindigkeitsregler
2. Feststellknopf
3. Vor-/Zurückschaltknopf
4. Bohrmodusschalter
5. Bohrfutter
6. Tiefenbegrenzung (nicht bei allen Modellen)
7. Seitlicher Haltegriff (nicht bei allen Modellen)

Abb. B

8. Manuelle Spindelarrretierung (nur Schnellspanbohrfutter mit einer einzelnen Hülse)

Montage

Achtung! Vergewissern Sie sich vor der Montage, dass das Gerät ausgeschaltet ist und der Netzstecker gezogen wurde.

Anbringen des seitlichen Haltegriffs und der Tiefenbegrenzung (Abb. A & G)

- ◆ Drehen Sie den Griff entgegen dem Uhrzeigersinn, bis Sie den seitlichen Haltegriff (7) wie dargestellt über die Vorderseite des Geräts schieben können.
- ◆ Drehen Sie den seitlichen Haltegriff in die gewünschte Position.
- ◆ Setzen Sie die Tiefenbegrenzung (6) wie dargestellt in die vorgesehene Öffnung ein.
- ◆ Legen Sie die Bohrtiefe wie im Folgenden beschrieben fest.
- ◆ Befestigen Sie den seitlichen Haltegriff, indem Sie den Griff im Uhrzeigersinn drehen.

Anbringen eines Bohreinsatzes

Schnellspanbohrfutter mit einer einzelnen Hülse (Abb. B)

- ◆ Öffnen Sie das Bohrfutter, indem Sie die manuelle Spindelarrretierung (8) drücken, und die Hülse (9) gegen den Uhrzeigersinn drehen.
- ◆ Setzen Sie einen Einsatz (12) in das Bohrfutter ein.
- ◆ Sichern Sie das Bohrfutter, indem Sie die manuelle Spindelarrretierung (8) drücken, und die Hülse im Uhrzeigersinn drehen, bis diese fest angezogen ist.

Schnellspanbohrfutter mit zwei Hülsen (Abb. C)

- ◆ Öffnen Sie das Bohrfutter, indem Sie den vorderen Teil (10) mit einer Hand drehen und den hinteren Teil (11) mit der anderen Hand festhalten.
- ◆ Setzen Sie einen Einsatz (12) in das Bohrfutter ein, und ziehen Sie dieses fest an.

Schlüsselbohrfutter (Abb. D)

- ◆ Öffnen Sie das Bohrfutter, indem Sie die Hülse (13) gegen den Uhrzeigersinn drehen.
- ◆ Setzen Sie einen Einsatz (12) in das Bohrfutter ein.
- ◆ Setzen Sie den Bohrfutterschlüssel (14) in jedes Loch (15) an der Seite des Bohrfutters ein, um ziehen Sie den Bohrfutterschlüssel im Uhrzeigersinn fest an.

Entfernen und erneutes Anbringen des Bohrfutters (Abb. E)

- ◆ Öffnen Sie das Bohrfutter so weit wie möglich.
- ◆ Entfernen Sie die Halteschraube im Inneren des Bohrfutters, indem Sie diese mit einem Schraubendreher im Uhrzeigersinn drehen.
- ◆ Spannen Sie einen Inbusschlüssel in das Bohrfutter, und schlagen Sie den Schlüssel wie gezeigt mit einem Hammer an.
- ◆ Entfernen Sie den Inbusschlüssel.
- ◆ Entfernen Sie das Bohrfutter durch Drehen gegen den Uhrzeigersinn.
- ◆ Zum Wiedereinbau des Bohrfutters schrauben Sie das Futter auf die Spindel und sichern es mit der zugehörigen Halteschraube.

Restrisiken

Für den Gebrauch dieses Geräts verbleiben zusätzliche Restrisiken, die möglicherweise nicht in den Sicherheitswarnungen genannt werden. Diese Risiken bestehen beispielsweise bei Missbrauch oder längerem Gebrauch.

Auch bei der Einhaltung der entsprechenden Sicherheitsvorschriften und der Verwendung aller Sicherheitsgeräte bestehen weiterhin bestimmte Restrisiken. Diese werden im Folgenden aufgeführt:

- ◆ Verletzungen, die durch das Berühren von sich drehenden/bewegenden Teilen verursacht werden.
- ◆ Verletzungen, die durch das Austauschen von Teilen, Messern oder Zubehör verursacht werden.
- ◆ Verletzungen, die durch längeren Gebrauch eines Geräts verursacht werden. Legen Sie bei längerem Gebrauch regelmäßige Pausen ein.
- ◆ Beeinträchtigung des Gehörs.
- ◆ Gesundheitsrisiken durch das Einatmen von Staub beim Gebrauch des Geräts (Beispielsweise bei Holzarbeiten, insbesondere Eiche, Buche und Presspan).

Gebrauch

Achtung! Beschleunigen Sie den Arbeitsvorgang nicht mit Gewalt. Vermeiden Sie eine Überlastung des Geräts.

Achtung! Prüfen Sie vor dem Bohren in Wände, Fußböden oder Decken diese Stellen auf dahinter liegende Kabel oder Rohre.

Auswählen der Drehrichtung (Abb. F)

Verwenden Sie zum Bohren und Anziehen von Schrauben die Vorwärtsdrehung (im Uhrzeigersinn). Verwenden Sie zum Entfernen von Schrauben und verklemmten Bohreinsätzen die Rückwärtsdrehung (gegen den Uhrzeigersinn).

- ◆ Drücken Sie den Vor-/Zurückschaltknopf (3) nach links, um die Vorwärtsdrehung einzustellen.
- ◆ Drücken Sie den Vor-/Zurückschaltknopf (3) nach rechts, um die Rückwärtsdrehung einzustellen.

Achtung! Wechseln Sie auf keinen Fall die Drehrichtung, während der Motor läuft.

Auswählen des Bohrmodus

- ◆ Stellen Sie zum Bohren in Mauerwerk den Bohrmodusschalter (4) auf die Position **T**.
- ◆ Stellen Sie den Bohrmodusschalter zum Bohren in andere Materialien und zum Ausführen von Schraubarbeiten auf die Position **2**.

Festlegen der Bohrtiefe (Abb. G)

- ◆ Lösen Sie den seitlichen Haltegriff (7), indem Sie den Griff gegen den Uhrzeigersinn drehen.
- ◆ Bringen Sie die Tiefenbegrenzung (6) in die gewünschte Position. Die maximale Bohrtiefe entspricht der Entfernung zwischen der Spitze des Bohreinsatzes und dem vorderen Ende der Tiefenbegrenzung.
- ◆ Befestigen Sie den seitlichen Haltegriff, indem Sie den Griff im Uhrzeigersinn drehen.

Ein- und Ausschalten

- ◆ Um das Gerät einzuschalten, drücken Sie den Ein-/Ausschalter mit Geschwindigkeitsregler (1). Die Geschwindigkeit des Werkzeugs hängt davon ab, wie weit Sie den Schalter eindrücken. Im Allgemeinen sollten Sie langsamere Geschwindigkeiten für Bohreinsätze mit großem Durchmesser und hohe Geschwindigkeiten für Bohreinsätze mit geringerem Durchmesser verwenden.
- ◆ Für das Arbeiten im Dauerbetrieb drücken Sie den Feststellknopf (2) und lassen den Geschwindigkeitsregler los. Diese Option steht nur bei voller Geschwindigkeit im Vorwärts- und Rückwärtsmodus zur Verfügung.
- ◆ Um das Gerät auszuschalten, lassen Sie den Geschwindigkeitsregler los. Wenn sich das Gerät im Dauerbetrieb befindet, müssen Sie zum Ausschalten den Geschwindigkeitsregler erneut drücken und loslassen.

Zubehör

Das verwendete Zubehör hat wesentlichen Einfluss auf die Leistung des Geräts. Zubehörteile von Black & Decker und Piranha erfüllen höchste Qualitätsstandards und wurden speziell für die Verwendung mit Ihrem Gerät entwickelt. Bei Verwendung dieses Zubehörs erhalten Sie stets optimale Ergebnisse.

Wartung

Ihr Black & Decker Gerät wurde im Hinblick auf eine lange Lebensdauer und einen möglichst geringen Wartungsaufwand entwickelt. Ein dauerhafter, einwandfreier Betrieb setzt eine regelmäßige Pflege und Reinigung voraus.

Achtung! Schalten Sie das Gerät vor der Durchführung von Pflege-, Reinigungs- und Wartungsarbeiten aus, und ziehen Sie den Netzstecker.

- ◆ Reinigen Sie regelmäßig die Lüftungsschlitze des Geräts mit Hilfe einer weichen Bürste oder eines trockenen Tuchs.
- ◆ Reinigen Sie das Motorgehäuse regelmäßig mit einem feuchten Tuch. Verwenden Sie keine scheuernden Reinigungsmittel oder Reinigungsmittel auf Lösungsmittelbasis.
- ◆ Öffnen Sie regelmäßig das Spannfutter, und entfernen Sie durch Klopfen ggf. Staub aus dem Inneren des Geräts.

Austauschen des Netzsteckers (nur Großbritannien und Irland)

Gehen Sie folgendermaßen vor, wenn ein neuer Netzstecker angeschlossen werden muss:

- ◆ Entsorgen Sie den alten Stecker auf sachgerechte Weise.
- ◆ Verbinden Sie die braune Leitung mit dem spannungsführenden Anschluss des Steckers.
- ◆ Verbinden Sie die blaue Leitung mit dem neutralen Anschluss.

Achtung! Der Erdleiter wird nicht angeschlossen. Befolgen Sie die Anleitungen, die dem Stecker beiliegen. Empfohlene Sicherung: 5 A.

Umweltschutz



Getrennte Entsorgung. Dieses Produkt darf keinesfalls mit dem Hausmüll entsorgt werden.

Sollten Sie Ihr Black & Decker Produkt eines Tages ersetzen oder nicht mehr benötigen, entsorgen Sie es nicht mit dem Hausmüll. Führen Sie das Produkt einer getrennten Sammlung zu.



Durch die separate Sammlung von ausgedienten Produkten und Verpackungsmaterialien können Rohstoffe recycelt und wiederverwendet werden. Die Wiederverwendung aufbereiteter Materialien trägt zur Vermeidung der Umweltverschmutzung bei und senkt den Rohstoffbedarf.

Die Verordnung zur Abfallentsorgung Ihrer Gemeinde sieht möglicherweise vor, dass Elektrogeräte getrennt vom Hausmüll gesammelt, an der örtlichen

Abfallentsorgungseinrichtung abgegeben oder beim Kauf eines neuen Produkts vom Fachhandel zur Entsorgung angenommen werden müssen.

Black & Decker nimmt Ihre ausgedienten Black & Decker Geräte gern zurück und sorgt für eine umweltfreundliche Entsorgung bzw. Wiederverwertung. Um diese Dienstleistung in Anspruch zu nehmen, geben Sie das Gerät bitte bei einer autorisierten Reparaturwerkstatt ab, die die Geräte für Black & Decker sammelt.

Bitte fragen Sie Ihre zuständige Black & Decker Niederlassung (Adresse in dieser Anleitung) nach einer Vertragswerkstatt in Ihrer Nähe. Außerdem ist eine Liste der Vertragswerkstätten und aller Kundendienststellen von Black & Decker sowie der zuständigen Ansprechpartner im Internet zu finden unter: www.2helpU.com.

Technische Daten

	CD714RE TYP 2	CD714CRE TYPE2	CD714CRES TYP 2	KR604CRES TYP 2	KR654CRES TYP 2	KR714CRES TYP 2
Eingangsspannung	V _{AC} 230	230	230	230	230	230
Leistungs-aufnahme	W 710	710	710	600	650	710
Leerlauf-drehzahl	min ⁻¹ 0-2800	0-2800	0-2800	0-2800	0-2800	0-2800
Maximale Bohrtiefe						
Stahl/Beton	mm 13	13	13	13	13	13
Holz	mm 25	25	25	20	20	25
Gewicht	kg 2,0	2,0	2,0	2,0	2,0	2,0

Schalldruckpegel gemäß EN 60745:

Schalldruck (L_{pA}) 101 dB(A), Unsicherheitsfaktor (K) 3 dB(A)

Schalleistung (L_{WA}) 112 dB(A), Unsicherheitsfaktor (K) 3 dB(A)

Gesamtvibration (Triax-Vektorsumme) gemäß EN 60745:

Betonbohren mit Belastung ($a_{h,D}$) = 17,97 m/s², Unsicherheitsfaktor (K) = 1,5 m/s²

Metallbohren ($a_{h,D}$) = 3,37 m/s², Unsicherheitsfaktor (K) = 1,5 m/s²

EU-Konformitätserklärung

RICHTLINIE FÜR MASCHINEN



**CD714RE, CD714CRE, CD714CRES,
KR604CRES, KR654CRES, KR714CRES**

Black & Decker erklärt, dass die unter „Technische Daten“ beschriebenen Produkte den folgenden Normen entsprechen: 2006/42/EC, EN60745-1, EN60745-2-1

Weitere Informationen erhalten Sie von Black & Decker unter der folgenden Adresse bzw. mithilfe der Angaben auf der Rückseite dieser Anleitung.

Der Unterzeichnete ist verantwortlich für die Zusammenstellung der technischen Daten und gibt diese Erklärung im Namen von Black & Decker ab.

Kevin Hewitt
Vice-President Global Engineering
Black & Decker Europe, 210 Bath Road, Slough,
Berkshire, SL1 3YD
Großbritannien
01-04-2011

Garantie

Black & Decker vertraut auf die Qualität der eigenen Geräte und bietet dem Käufer eine außergewöhnliche Garantie. Diese Garantiezusage versteht sich unbeschadet der gesetzlichen Gewährleistungsansprüche und schränkt diese keinesfalls ein. Sie gilt in sämtlichen Mitgliedsstaaten der Europäischen Union und der Europäischen Freihandelszone EFTA.

Tritt innerhalb von 24 Monaten ab Kaufdatum an einem Gerät von Black & Decker ein auf Material- oder Verarbeitungsfehler zurückzuführender Mangel auf, garantiert Black & Decker den Austausch defekter Teile, die Reparatur von Geräten mit üblichem Verschleiß bzw. den Austausch eines mangelhaften Geräts, ohne den Kunden dabei mehr als unbedingt nötig in Anspruch zu nehmen, allerdings vorbehaltlich folgender Ausnahmen:

- ◆ wenn das Gerät gewerblich, beruflich oder im Verleihgeschäft benutzt wurde;
- ◆ wenn das Gerät mißbräuchlich verwendet oder mit mangelnder Sorgfalt behandelt wurde;
- ◆ wenn das Gerät durch irgendwelche Fremdeinwirkung beschädigt wurde;
- ◆ wenn ein unbefugter Reparaturversuch durch anderes Personal als das einer Vertragswerkstatt oder des Black & Decker-Kundendienstes unternommen wurde.

Zur Inanspruchnahme dieser Garantie ist dem Verkäufer bzw. der Vertragswerkstatt ein Kaufnachweis vorzulegen. Der Kaufnachweis muß Kaufdatum und Gerätetyp bescheinigen. Die Adresse des zuständigen Büros von Black & Decker steht in dieser Anleitung, darüber läßt sich die nächstgelegene Vertragswerkstatt ermitteln. Außerdem ist eine Liste der Vertragswerkstätten und aller Kundendienststellen von Black & Decker sowie der zuständigen Ansprechpartner im Internet zu finden unter: www.2helpU.com

Bitte besuchen Sie unsere Webseite www.blackanddecker.de, um Ihr neues Black & Decker Produkt zu registrieren und über neue Produkte und Sonderangebote aktuell informiert zu werden. Weitere Informationen über die Marke Black & Decker und unsere Produkte finden Sie unter www.blackanddecker.de

Utilisation

Votre perceuse Black & Decker a été conçue pour percer le bois, le métal, le plastique et les murs de maçonnerie ainsi que pour visser. Cet outil est destiné à une utilisation exclusivement domestique.

Consignes de sécurité

Consignes de sécurité concernant les outils électroportatifs



Attention! Lisez avec attention tous les avertissements et toutes les instructions. Le non-respect de cette consigne peut entraîner une électrocution, un incendie et/ou de graves blessures.

Conservez tous les avertissements et instructions pour référence ultérieure. La notion d'« outil électroportatif » mentionnée par la suite se rapporte à des outils électriques raccordés au secteur (avec câble de raccordement) ou fonctionnant avec batterie (sans fil).

1. Sécurité de la zone de travail

- a. **Maintenez la zone de travail propre et bien éclairée.** Un lieu de travail en désordre ou mal éclairé augmente le risque d'accidents.
- b. **N'utilisez pas les outils électroportatifs dans un environnement présentant des risques d'explosion, ni en présence de liquides, gaz ou poussières inflammables.** Les outils électroportatifs génèrent des étincelles risquant d'enflammer les poussières ou les vapeurs.
- c. **Pendant l'utilisation d'un outil électroportatif, les enfants et autres personnes doivent rester éloignés.** En cas d'inattention, vous risquez de perdre le contrôle de l'outil.

2. Sécurité électrique

- a. **La prise de l'outil électroportatif doit convenir à la prise de courant. Ne modifiez en aucun cas la prise. N'utilisez pas de prises d'adaptateur avec des outils ayant une prise de terre.** Le respect de ces consignes réduit le risque de choc électrique.
- b. **Évitez le contact physique avec des surfaces mises à la terre telles que tuyaux, radiateurs, fours et réfrigérateurs.** Le risque de choc électrique augmente si votre corps est relié à la terre.
- c. **N'exposez pas l'outil électroportatif à la pluie ni à l'humidité.** La pénétration d'eau dans un outil électroportatif augmente le risque de choc électrique.
- d. **Préservez le câble d'alimentation. N'utilisez pas le câble pour porter l'outil, pour**

l'accrocher ou encore pour le débrancher. Maintenez le câble éloigné des sources de chaleurs, des parties huilées, des bords tranchants ou des parties de l'outil en rotation. Le risque de choc électrique augmente si les câbles sont endommagés ou emmêlés.

- e. **Si vous utilisez l'outil électroportatif à l'extérieur, utilisez une rallonge homologuée pour utilisation à l'air libre.** L'utilisation d'une rallonge électrique homologuée pour les travaux à l'extérieur réduit le risque de choc électrique.
 - f. **Si l'outil doit être utilisé dans un endroit humide, prenez les précautions nécessaires en utilisant un dispositif à courant résiduel (RCD).** L'utilisation d'un tel dispositif réduit les risques d'électrocution.
- ### 3. Sécurité personnelle
- a. **Restez vigilant, surveillez ce que vous faites. Faites preuve de bon sens quand vous utilisez un outil électroportatif. N'utilisez pas l'outil lorsque vous êtes fatigué ou après avoir consommé de l'alcool ainsi que des médicaments.** Un moment d'inattention lors de l'utilisation de l'outil peut entraîner de graves blessures.
 - b. **Portez un équipement de protection. Portez toujours des lunettes de protection.** Selon le travail à effectuer, le port d'équipement de protection tels que masque anti-poussières, chaussures de sécurité antidérapantes, casque ou protection auditive, réduit le risque de blessures.
 - c. **Évitez un démarrage imprévu. L'outil doit être en position OFF (arrêt) avant d'effectuer le branchement à l'alimentation et/ou au bloc-batterie, de le ramasser ou de le porter.** Ne laissez pas votre doigt sur le bouton de commande, ceci peut être à l'origine d'accidents.
 - d. **Retirez tout outil ou clé de réglage avant de mettre l'outil en marche.** Une clé ou un outil se trouvant sur une partie en rotation peut causer des blessures.
 - e. **Adoptez une position confortable. Adoptez une position stable et gardez votre équilibre en permanence.** Vous contrôlerez ainsi mieux l'outil dans des situations inattendues.
 - f. **Portez des vêtements appropriés. Ne pas porter de vêtements amples ou de bijoux. N'approchez pas les cheveux, vêtements ou gants des parties des pièces mobiles.** Les vêtements amples, les bijoux ou les cheveux longs peuvent se prendre dans les pièces en mouvement.

- g. En cas d'utilisation d'appareils servant à aspirer ou à recueillir les poussières, assurez-vous qu'ils sont correctement raccordés et utilisés. L'utilisation de tels appareils permet de réduire les dangers liés aux poussières.
4. **Utilisation des outils électroportatifs et précautions**
- a. **Respectez la capacité de l'outil. Utilisez l'outil électroportatif approprié pour le travail à effectuer.** Avec un outil approprié, vous travaillerez mieux et en toute sécurité.
- b. **N'utilisez pas un outil électroportatif dont le bouton marche/arrêt est défectueux.** Un outil électroportatif qui ne peut plus être mis en marche ou arrêté est dangereux et doit être réparé.
- c. **Retirez la prise de courant et/ou débranchez le bloc-batterie avant d'effectuer des réglages, de changer les accessoires ou de ranger l'outil.** Cette mesure de précaution empêche de mettre l'outil en marche accidentellement.
- d. **Rangez les outils électroportatifs hors de portée des enfants. Les personnes ne connaissant pas l'outil ou n'ayant pas lu ces instructions ne doivent en aucun cas l'utiliser.** Les outils électroportatifs sont dangereux lorsqu'ils sont utilisés par des personnes non initiées.
- e. **Prenez soin des outils électroportatifs. Vérifiez que les parties en mouvement fonctionnent correctement et qu'elles ne sont pas coincées. Vérifiez qu'il n'y a pas de pièces cassées ou endommagées susceptibles de nuire au bon fonctionnement de l'outil. S'il est endommagé, faites réparer l'outil avant de l'utiliser.** De nombreux accidents sont la conséquence d'outils mal entretenus.
- f. **Maintenez les outils de coupe aiguisés et propres.** Des outils soigneusement entretenus avec des bords tranchants bien aiguisés se coincent moins souvent et peuvent être guidés plus facilement.
- g. **Utilisez les outils électroportatifs, les accessoires, etc. en suivant ces instructions et en tenant compte des conditions de travail, ainsi que du travail à effectuer.** L'utilisation des outils électroportatifs à d'autres fins que celles prévues peut vous mettre en situation dangereuse.
5. **Réparations**
- a. **Faites réparer votre outil électroportatif uniquement par du personnel qualifié et**

seulement avec des pièces de rechange appropriées. La fiabilité de l'outil sera ainsi maintenue.

Consignes de sécurité supplémentaires concernant les outils électroportatifs



Attention! Prendre encore plus de précautions pour les perceuses et les perceuses à percussion.

- ◆ **Portez un serre-tête antibruit si vous utilisez une perceuse à percussion.** L'exposition au bruit peut entraîner la perte de l'ouïe.
- ◆ **Utilisez les poignées auxiliaires livrées avec l'outil.** La perte de contrôle peut entraîner des blessures.
- ◆ **Tenez l'outil au niveau des surfaces de prise isolées. Ceci permet d'éviter les accidents en cas de contact de l'accessoire de coupe avec des fils cachés ou son propre câble.** En touchant un fil sous tension, la charge électrique passe dans les parties métalliques de l'outil électroportatif et il y a risque de choc électrique.
- ◆ **Utilisez des pinces ou autres pour fixer et soutenir la pièce de manière stable.** Si vous la tenez à la main ou contre votre corps, elle ne sera pas stable et vous pouvez en perdre le contrôle.
- ◆ Avant de percer les murs, les planchers ou les plafonds, vérifiez l'emplacement des câblages et des tuyaux.
- ◆ Évitez de toucher le bout d'un foret juste après avoir percé. Il peut être chaud.
- ◆ Ce manuel d'instruction décrit comment utiliser cet outil. L'utilisation d'un accessoire ou d'une fixation, ou bien l'utilisation de cet outil à d'autres fins que celles recommandées dans ce manuel d'instructions peut entraîner des blessures et/ou des dommages matériels.

Sécurité pour autrui

- ◆ Cet outil ne peut être utilisé par des personnes (y compris des enfants) ayant des capacités mentales, sensorielles ou physiques réduites, ou celles manquant d'expérience et de connaissances, à moins qu'elles ne soient encadrées ou qu'elles n'aient été formées à l'utilisation de l'outil par une personne responsable de leur sécurité.
- ◆ Ne laissez jamais les enfants sans surveillance pour éviter qu'ils ne jouent avec cet outil.

Vibration

La valeur des émissions de vibration déclarée dans la section Déclaration/Données techniques

de conformité a été mesurée selon une méthode d'essai standard fournie par la norme EN60745 et peut être utilisée pour comparer un outil à un autre. Elle peut aussi être utilisée pour une évaluation préliminaire à l'exposition.

Attention! Selon la manière dont l'outil est utilisé, la valeur des émissions de vibration pendant l'utilisation en cours de l'outil peut être différente de la valeur déclarée. Le niveau de vibration peut augmenter au-dessus du niveau établi.

Quand l'exposition aux vibrations est évaluée afin de déterminer les mesures de sécurité requises par la norme 2002/44/CE pour protéger les personnes utilisant régulièrement des outils électroportatifs, une estimation de l'exposition aux vibrations doit tenir compte des conditions actuelles d'utilisation et de la manière dont l'outil est utilisé. Il faut aussi tenir compte de toutes les parties du cycle de fonctionnement comme la durée pendant laquelle l'outil est arrêté et quand il fonctionne au ralenti, ainsi que la durée du déclenchement.

Étiquettes sur les outils

Les pictogrammes ci-dessous se trouvent sur l'outil.



Attention! Pour réduire le risque de blessures, l'utilisateur doit lire le manuel d'instruction.

Sécurité électrique



Cet outil est doublement isolé. Par conséquent, aucun câble de mise à la terre n'est nécessaire. Vérifiez si l'alimentation mentionnée sur la plaque signalétique de l'outil correspond bien à la tension présente sur le lieu.

- ◆ Si le câble d'alimentation est endommagé, il doit être remplacé par le fabricant ou par un centre de réparation agréé Black & Decker pour éviter tout risque.

Éléments

1. Sélecteur de vitesse
2. Bouton de verrouillage
3. Bouton de commande avant/arrière
4. Sélecteur de mode de perçage
5. Mandrin
6. Butée de profondeur (sur certains modèles uniquement)
7. Poignée latérale (sur certains modèles uniquement)

Figure B

8. Bouton de verrouillage manuel de l'axe (mandrin auto-serrant à manchon unique)

Assemblage

Attention! Avant l'assemblage, assurez-vous que l'outil est éteint et débranché.

Installation de la poignée latérale et de la butée de profondeur (figure A & G)

- ◆ Tournez le manche dans le sens inverse des aiguilles d'une montre jusqu'à ce que la poignée latérale (7) puisse glisser sur l'avant de l'outil, comme indiqué.
- ◆ Tournez la poignée latérale dans la position désirée.
- ◆ Insérez la butée de profondeur (6) dans l'orifice de montage, comme indiqué.
- ◆ Ajustez la profondeur de perçage comme décrit ci-dessous.
- ◆ Serrez la poignée latérale en tournant le manche dans le sens des aiguilles d'une montre.

Installation d'un foret

Mandrin auto-serrant à manchon unique (figure B)

- ◆ Ouvrez le mandrin en appuyant sur le bouton de verrouillage manuel de l'axe (8) et en tournant le manchon (9) dans le sens des aiguilles d'une montre.
- ◆ Insérez la tige du foret (12) dans le mandrin.
- ◆ Serrez fermement le mandrin en appuyant sur le bouton de verrouillage manuel de l'axe (8) et en tournant le manchon dans le sens des aiguilles d'une montre jusqu'au serrage maximal.

Mandrin auto-serrant à double manchon (figure C)

- ◆ Ouvrez le mandrin en tournant la partie avant (10) avec une main tout en maintenant la partie arrière (11) de l'autre main.
- ◆ Insérez la tige du foret (12) dans le mandrin. Serrez ensuite le mandrin fermement.

Mandrin à clé (figure D)

- ◆ Ouvrez le mandrin en tournant le manchon (13) dans le sens inverse des aiguilles d'une montre.
- ◆ Insérez la tige du foret (12) dans le mandrin.
- ◆ Insérez la clé du mandrin (14) dans chaque trou (15) sur le côté du mandrin et tournez dans le sens des aiguilles d'une montre pour serrer.

Retrait et réinstallation du mandrin (figure E)

- ◆ Ouvrez le mandrin le plus possible.
- ◆ Retirez la vis de fixation à l'intérieur du mandrin en la tournant dans le sens des aiguilles d'une

- montre avec un tournevis.
- ◆ Serrez une clé Allen dans le mandrin. Terminez le serrage en tapant avec un marteau, comme indiqué.
- ◆ Retirez la clé Allen.
- ◆ Retirez le mandrin en le tournant dans le sens inverse des aiguilles d'une montre.
- ◆ Pour replacer le mandrin, vissez-le sur l'axe et utilisez la vis de fixation pour le serrer.

Risques résiduels

L'utilisation d'un outil non mentionné dans les consignes de sécurité données peut entraîner des risques résiduels supplémentaires. Ces risques peuvent survenir si l'outil est mal utilisé, si l'utilisation est prolongée, etc.

Malgré l'application des normes de sécurité correspondantes et la présence de dispositifs de sécurité, les risques résiduels suivants ne peuvent être évités. Ceci comprend :

- ◆ Les blessures dues au contact avec une pièce mobile/ en rotation.
- ◆ Les blessures causées en changeant des pièces, lames ou accessoires.
- ◆ Les blessures dues à l'utilisation prolongée d'un outil. Une utilisation prolongée de l'outil nécessite des pauses régulières.
- ◆ Déficience auditive.
Risques pour la santé causés par l'inhalation de poussières produites pendant l'utilisation de l'outil (exemple : travail avec du bois, surtout le chêne, le Hère et les panneaux en MDF).

Utilisation

Attention! Laissez l'outil fonctionner à sa propre vitesse. Ne le poussez pas au-delà de sa limite.

Attention! Avant de percer les murs, les planchers ou les plafonds, vérifiez l'emplacement des câblages et des tuyaux.

Sélection du sens de rotation (figure F)

Pour percer ou pour serrer les vis, utilisez la rotation dans le sens des aiguilles d'une montre. Pour desserrer les vis ou retirer un foret bloqué, utilisez la rotation dans le sens inverse des aiguilles d'une montre.

- ◆ Pour sélectionner la rotation dans le sens des aiguilles d'une montre, poussez le bouton de commande avant/ arrière (3) vers la gauche.
- ◆ Pour sélectionner la rotation dans le sens inverse des aiguilles d'une montre, poussez le bouton de commande avant/arrière (3) vers la droite.

Attention! Ne changez jamais le sens de rotation quand le moteur tourne.

Sélection du mode de perçage

- ◆ Pour percer de la pierre, réglez le sélecteur de mode de perçage (4) sur **T**.
- ◆ Pour percer d'autres matériaux et pour visser, réglez le sélecteur de mode de perçage sur **1**.

Réglage de la profondeur de perçage (figure G)

- ◆ Relâchez la poignée latérale (7) en tournant le manche dans le sens inverse des aiguilles d'une montre.
- ◆ Réglez la butée de profondeur (6) à la position désirée. La profondeur de perçage maximale est égale à la distance entre le bout du foret et l'extrémité avant de la butée de profondeur.
- ◆ Serrez la poignée latérale en tournant le manche dans le sens des aiguilles d'une montre.

Mise en marche et arrêt

- ◆ Pour mettre l'outil en marche, appuyez sur le sélecteur de vitesse (1). La vitesse de l'outil dépend de la pression sur le bouton. Normalement, les vitesses lentes correspondent aux forets à large diamètre et les vitesses rapides aux forets de faible diamètre.
- ◆ En mode continu, appuyez sur le bouton de verrouillage (2) et relâchez le sélecteur de vitesse. Cette option n'est disponible qu'à la vitesse maximale en mode avant/arrière.
- ◆ Pour arrêter l'outil, relâchez le sélecteur de vitesse. Pour arrêter l'outil quand celui-ci est en mode continu, appuyez de nouveau sur le sélecteur, puis relâchez-le.

Accessoires

La qualité du travail réalisé par votre outil dépend des accessoires utilisés. Les accessoires Black & Decker et Piranha correspondent aux normes de qualité supérieure et sont conçus pour donner le meilleur résultat possible. En utilisant ces accessoires, votre outil vous donnera entière satisfaction.

Entretien

Votre outil Black & Decker a été conçu pour fonctionner pendant longtemps avec un minimum d'entretien. Un fonctionnement continu satisfaisant dépend d'un nettoyage régulier et d'un entretien approprié de l'outil.

Attention! Préalablement à toute opération d'entretien, éteignez et débranchez l'outil.

- ◆ Nettoyez régulièrement les orifices de ventilation de votre outil à l'aide d'une brosse souple ou d'un chiffon sec.
- ◆ Nettoyez régulièrement le compartiment du moteur à l'aide d'un chiffon humide. N'utilisez

- ◆ pas de produit abrasif ou à base de solvant.
- ◆ Ouvrez régulièrement le mandrin et retirez la poussière à l'intérieur en le tapant (si installé).

Remplacement des prises secteur (RU et Irlande uniquement)

Si une nouvelle prise secteur doit être installée:

- ◆ Mettez au rebut la vieille prise.
- ◆ Branchez le fil brun dans la borne sous tension de la nouvelle prise.
- ◆ Branchez le fil bleu à la borne neutre.

Attention! Aucune connexion ne doit être faite à la borne de terre. Suivez les instructions de montage fournies avec les prises de bonne qualité. Fusibles recommandés: 5 A.

Protection de l'environnement



Recyclage. Cet outil ne doit pas être jeté avec les déchets ménagers.

Si votre outil Black & Decker doit être remplacé ou si vous n'en avez plus l'usage, ne le jetez pas avec les ordures ménagères. Songez à la protection de l'environnement et recyclez-les.



La collecte séparée des produits et des emballages usagés permet de recycler et de réutiliser des matériaux. La réutilisation de matériaux recyclés évite la pollution de l'environnement et réduit la demande de matières premières.

Des réglementations locales peuvent stipuler la collecte séparée des produits électriques et des produits ménagers, dans des déchetteries municipales ou par le revendeur lorsque vous achetez un nouveau produit.

Black & Decker offre une solution permettant de recycler les produits Black & Decker lorsqu'ils ont atteint la fin de leur cycle de vie. Pour pouvoir profiter de ce service, veuillez retourner votre produit à un réparateur agréé qui se chargera de le collecter pour nous.

Pour connaître l'adresse du réparateur agréé le plus proche de chez vous, contactez le bureau Black & Decker à l'adresse indiquée dans ce manuel. Vous pourrez aussi trouver une liste de réparateurs agréés de Black & Decker et de plus amples détails sur notre service après-vente sur le site Internet à l'adresse suivante: www.2helpU.com.

Caractéristiques techniques

	CD714RE TYPE 2	CD714CRE TYPE 2	CD714CRES TYPE 2	KR604CRES TYPE 2	KR654CRES TYPE 2	KR714CRES TYPE 2
Tension d'entrée	V c.a. 230	230	230	230	230	230
Puissance	W 710	710	710	600	650	710
Aucune vit. de charge	min ⁻¹ 0-2800	0-2800	0-2800	0-2800	0-2800	0-2800
Cap. max perçage						
Béton/Acier	mm 13	13	13	13	13	13
Bois	mm 25	25	25	20	20	25
Poids	kg 2,0	2,0	2,0	2,0	2,0	2,0

Niveau de pression sonore selon la norme EN 60745:

Pression sonore (L_{pA}) 101 dB(A), incertitude (K) 3 dB(A)

Puissance sonore (L_{WA}) 112 dB(A), incertitude (K) 3 dB(A)

Valeur totale des vibrations (somme vectorielle triaxiale) selon la norme EN60745:

Impact de perçage dans le béton ($a_{h,D}$) = 17,97 m/s², Incertitude (K) = 1,5 m/s²

Perçage dans le métal ($a_{h,D}$) = 3,37 m/s², incertitude (K) = 1,5 m/s²

Déclaration de conformité

DIRECTIVES DE MACHINERIE



**CD714RE, CD714CRE, CD714CRES,
KR604CRES, KR654CRES, KR714CRES**

Black & Decker déclare que les produits décrits sur la fiche technique sont conformes à la norme: 2006/42/EC, EN60745-1, EN60745-2-1

Pour plus de renseignements, veuillez contacter Black & Decker à l'adresse suivante ou reportez-vous au dos du manuel.

Le soussigné est responsable des données de la fiche technique et fait cette déclaration au nom de Black & Decker

Kevin Hewitt
Vice-President Global Engineering
Black & Decker Europe, 210 Bath Road, Slough,
Berkshire, SL1 3YD
Royaume-Uni
01-04-2011

Garantie

Black & Decker assure la qualité de ses produits et vous offre une garantie très élargie. Ce certificat de garantie est un document supplémentaire et ne peut en aucun cas se substituer aux droits accordés par la loi. La garantie est valable sur tout le territoire des États Membres de l'Union Européenne et de la Zone de Libre Échange Européenne.

Si un produit Black & Decker s'avère défectueux en raison de matériaux en mauvais état, d'une erreur

humaine, ou d'un manque de conformité dans les 24 mois suivant la date d'achat, Black & Decker garantit le remplacement des pièces défectueuses, la réparation des produits usés ou cassés ou remplace ces produits à la convenance du client, sauf dans les circonstances suivantes:

- ◆ Le produit a été utilisé dans un but commercial, professionnel, ou a été loué.
- ◆ Le produit a été mal utilisé ou avec négligence.
- ◆ Le produit a subi des dommages à cause de corps étrangers, de substances ou d'accidents.
- ◆ Des réparations ont été tentées par des techniciens ne faisant pas partie du service technique de Black & Decker.

Pour avoir recours à la garantie, il est nécessaire de fournir une preuve d'achat au vendeur ou à un réparateur agréé. Pour connaître l'adresse du réparateur agréé le plus proche de chez vous, contactez le bureau Black & Decker à l'adresse indiquée dans ce manuel. Vous pourrez aussi trouver une liste de réparateurs agréés de Black & Decker et de plus amples détails sur notre service après-vente sur le site Internet à l'adresse suivante: **www.2helpU.com**.

Visitez notre site Web **www.blackanddecker.fr** pour enregistrer votre nouveau produit Black & Decker et être informé des nouveaux produits et des offres spéciales. Pour plus d'informations concernant la marque Black & Decker et notre gamme de produits, consultez notre site **www.blackanddecker.fr**

Použití výrobku

Vaše vrtačka Black & Decker je určena pro vrtání do dřeva, kovu, plastů a zdiva, a také pro šroubování. Tento výrobek je určen pouze pro spotřebitelské použití.

Bezpečnostní pokyny

Všeobecné bezpečnostní pokyny pro práci s elektrickým nářadím



Varování! Pozorně si přečtěte veškerá bezpečnostní varování a pokyny. Nedodržení uvedených pokynů může způsobit úraz elektrickým proudem, vznik požáru nebo jiné vážné zranění.

Veškerá bezpečnostní varování a pokyny uschovejte pro případné další použití. Označení elektrické nářadí ve všech níže uvedených upozorněních odkazuje na vaše nářadí napájené ze sítě (obsahuje napájecí kabel) nebo nářadí napájené bateriemi (bez napájecího kabelu).

1. Bezpečnost v pracovním prostoru

- a. **Udržujte pracovní prostor v čistotě a dobře osvětlený.** Nepořádek na pracovním stole a nedostatek světla v jeho okolí vedou k nehodám.
- b. **S elektrickým nářadím nepracujte ve výbušných prostorách, jako jsou například prostory s výskytem hořlavých kapalin, plynů nebo prašných látek.** Elektrické nářadí je zdrojem jiskření, což může vést ke vznícení prachu nebo výparů.
- c. **Při práci s elektrickým nářadím udržujte děti a okolní osoby mimo jeho dosah.** Rozptylování může způsobit ztrátu kontroly nad nářadím.

2. Elektrická bezpečnost

- a. **Zástrčka napájecího kabelu nářadí musí odpovídat zásuvce. Zástrčku nikdy žádným způsobem neupravujte. Nepoužívejte u uzemněného elektrického nářadí žádné upravené zástrčky.** Neupravené zástrčky a odpovídající zásuvky snižují riziko vzniku úrazu elektrickým proudem.
- b. **Nedotýkejte se uzemněných povrchů, jako jsou například potrubí, radiátory, elektrické sporáky a chladničky.** Při uzemnění vašeho těla hrozí zvýšené nebezpečí úrazu elektrickým proudem.
- c. **Nevystavujte elektrické nářadí dešti nebo vlhkému prostředí.** Pokud do nářadí vnikne voda, zvýší se riziko úrazu elektrickým proudem.

- d. **S napájecím kabelem zacházejte opatrně. Nikdy nepoužívejte napájecí kabel k přenášení nářadí, k jeho posouvání a při odpojování nářadí od elektrické sítě za něj netahejte. Dbejte na to, aby se kabel nedostal do kontaktu s mastnými, horkými a ostrými předměty a s pohyblivými částmi nářadí.** Poškozený nebo zauzlený napájecí kabel zvyšuje riziko úrazu elektrickým proudem.
- e. **Pracujete-li s nářadím venku, používejte prodlužovací kabely určené pro venkovní použití.** Použití kabelu určeného k venkovnímu použití snižuje riziko úrazu elektrickým proudem.
- f. **Při práci s elektrickým nářadím ve vlhkém prostředí musíte v napájecím okruhu použít proudový chránič (RCD).** Použití proudového chrániče (RCD) snižuje riziko úrazu elektrickým proudem.

3. Bezpečnost obsluhy

- a. **Při práci s elektrickým nářadím zůstaňte stále pozorní, sledujte, co provádíte a přemýšlejte. Nepoužívejte elektrické nářadí, jste-li unaveni, pod vlivem drog, alkoholu nebo léků.** Chvilka nepozornosti při práci s elektrickým nářadím může vést k vážnému úrazu.
- b. **Používejte prvky osobní ochrany. Vždy používejte vhodnou ochranu zraku.** Ochranné prostředky jako respirátor, neklouzavá pracovní obuv, přilba a chrániče sluchu, používané v příslušných podmínkách, snižují riziko poranění osob.
- c. **Zabraňte náhodnému spuštění. Před připojením zdroje napětí, před nasunutím baterie a před přenášením nářadí zkontrolujte, zda je vypnutý hlavní spínač.** Přenášení elektrického nářadí s prstem na hlavním spínači nebo připojení napájecího kabelu k elektrické síti, je-li hlavní spínač nářadí v poloze zapnuto, může způsobit úraz.
- d. **Před spuštěním nářadí se vždy ujistěte, zda nejsou v jeho blízkosti klíče nebo seřizovací přípravky.** Seřizovací klíče ponechané na nářadí mohou být zachyceny rotujícími částmi nářadí a mohou způsobit úraz.
- e. **Nepřekázejte sami sobě. Při práci vždy udržujte vhodný a pevný postoj.** Tak je umožněna lepší ovladatelnost nářadí v neočekávaných situacích.
- f. **Vhodně se oblékejte. Nenoste volný oděv nebo šperky. Dbejte na to, aby se vaše vlasy, oděv a rukavice nedostaly do kontaktu**

s pohyblivými částmi. Volný oděv, šperky nebo dlouhé vlasy mohou být pohyblivými díly zachyceny.

- g. **Pokud jsou zařízení vybavena adaptérem pro připojení odsávacího zařízení a sběrných zásobníků, zajistěte jejich správné připojení a řádnou funkci.** Použití těchto zařízení může snížit nebezpečí týkající se prachu.
- 4. **Použití elektrického nářadí a jeho údržba**
 - a. **Elektrické nářadí nepřetěžujte. Používejte správný typ nářadí pro prováděnou práci.** Správné elektrické nářadí bude pracovat lépe a bezpečněji, bude-li používáno ve výkonnostním rozsahu, pro který je určeno.
 - b. **Pokud nelze hlavní spínač nářadí zapnout a vypnout, s nářadím nepracujte.** Každé elektrické nářadí s nefunkčním hlavním spínačem je nebezpečné a musí být opraveno.
 - c. **Před výměnou jakýchkoli částí, příslušenství či jiných připojených součástí, před prováděním údržby nebo pokud nářadí nepoužíváte, odpojte jej od elektrické sítě nebo z něj vyjměte baterii.** Tato preventivní bezpečnostní opatření snižují riziko náhodného spuštění nářadí.
 - d. **Pokud nářadí nepoužíváte, uložte jej mimo dosah dětí a zabraňte tomu, aby bylo toto nářadí použito osobami, které nejsou seznámeny s jeho obsluhou nebo s tímto návodem.** Elektrické nářadí je v rukou nekvalifikované obsluhy nebezpečné.
 - e. **Údržba elektrického nářadí. Zkontrolujte vychýlení nebo zaseknutí pohyblivých částí, poškození jednotlivých dílů a jiné okolnosti, které mohou mít vliv na chod nářadí. Je-li nářadí poškozeno, nechejte jej před použitím opravit.** Mnoho poruch vzniká v důsledku nedostatečné údržby nářadí.
 - f. **Řezné nástroje udržujte ostré a čisté.** Řádně udržované řezné nástroje s ostrými břity se méně zanáší a lépe se ovládají.
 - g. **Používejte elektrické nářadí, příslušenství a držáky nástrojů podle těchto pokynů a berte v úvahu provozní podmínky a práci, která bude prováděna.** Použití elektrického nářadí k jiným účelům, než k jakým je určeno, může být nebezpečné.
- 5. **Opravy**
 - a. **Svěřte opravu vašeho elektrického nářadí pouze osobě s příslušnou kvalifikací, která bude používat výhradně originální náhradní díly.** Tím zajistíte bezpečný provoz nářadí.

Doplňkové bezpečnostní pokyny pro práci s elektrickým nářadím



Varování! Doplnkové bezpečnostní pokyny pro vrtačky a vrtačky s přiklepem.

- ◆ **Při vrtání s přiklepem používejte ochranu sluchu.** Nadměrná hlučnost může způsobit ztrátu sluchu.
- ◆ **Používejte přídavné rukojeti dodávané s nářadím.** Ztráta kontroly nad nářadím může vést k úrazu.
- ◆ **Při pracovních operacích, u kterých by mohlo dojít ke kontaktu se skrytými vodiči nebo s vlastním napájecím kabelem, držte elektrické nářadí vždy za izolované rukojeti.** Při kontaktu pracovního příslušenství s „živým“ vodičem se nechráněné kovové části nářadí stanou také „živé“ a obsluha utrpí zásah elektrickým proudem.
- ◆ **Pro zajištění a upnutí obrobku k pracovnímu stolu používejte svorky nebo jiné vhodné prostředky.** Držení obrobku rukou nebo opření obrobku o část těla nezajistí jeho stabilitu a může vést k ztrátě kontroly.
- ◆ **Před vrtáním otvorů do zdi, podlah nebo stropů nejdříve zkontrolujte polohu potrubí a elektrických vodičů.**
- ◆ **Okamžitě po ukončení vrtání se nedotýkejte vrtáku, protože může být horký.**
- ◆ **Použití tohoto výrobku je popsáno v tomto návodu k obsluze. Použití jiného příslušenství nebo přídavného zařízení a provádění jiných pracovních operací než je doporučeno tímto návodem, může představovat riziko zranění obsluhy nebo riziko způsobení hmotných škod.**

Bezpečnost ostatních osob

- ◆ **Toto nářadí není určeno pro použití osobami (včetně dětí) se sníženými fyzickými, smyslovými nebo duševními schopnostmi, nebo s nedostatkem zkušeností a znalostí, pokud těmto osobám nebyl stanoven dohled, nebo pokud jim nebyly poskytnuty instrukce týkající se použití výrobku osobou odpovědnou za jejich bezpečnost.**
- ◆ **Děti by měly být pod dozorem, aby si s nářadím nehrály.**

Vibrace

Deklarovaná úroveň vibrací uvedená v technických údajích a v prohlášení o shodě byla měřena v souladu se standardní zkušební metodou předepsanou normou EN 60745 a může být použita pro srovnání jednotlivých nářadí mezi sebou. Deklarovaná úro-

veň vibrací může být také použita k předběžnému stanovení doby práce s tímto výrobkem.

Varování! Úroveň vibrací při aktuálním použití elektrického nářadí se může od deklarované úrovně vibrací lišit v závislosti na způsobu použití výrobku. Úroveň vibrací může být vzhledem k uvedeným hodnotám vyšší.

Při stanovení doby vystavení se působení vibrací, z důvodu určení bezpečnostních opatření podle normy 2002/44/EC k ochraně osob pravidelně používajících elektrické nářadí v zaměstnání, by měl předběžný odhad působení vibrací brát na zřetel aktuální podmínky použití nářadí s přihlédnutím na všechny části pracovního cyklu, jako jsou doby, při kterých je nářadí vypnuto a kdy běží naprázdno.

Štítky na nářadí

Na nářadí jsou následující piktogramy:



Varování! Z důvodu snížení rizika způsobení úrazu si uživatel musí přečíst tento návod k obsluze.

Elektrická bezpečnost



Toto nářadí je opatřeno dvojitou izolací. Proto není nutné použití uzemňovacího vodiče. Vždy zkontrolujte, zda napětí v síti odpovídá napětí na výkonovém štítku.

- ◆ Dojde-li k poškození napájecího kabelu, musí být vyměněn výrobcem nebo v autorizovaném servisu Black & Decker, aby bylo zabráněno způsobení úrazu elektrickým proudem.

Popis

1. Spínač s regulací otáček
2. Zajišťovací tlačítko
3. Tlačítko pro chod vpřed / vzad
4. Volič režimu vrtání
5. Sklíčidlo
6. Hlubkový doraz (ne u všech modelů)
7. Boční rukojeť (ne u všech modelů)

Obr. B

8. Zajišťovací tlačítko hnacího hřídele (pouze u rychloupínacího sklíčidla s jednou objímkou)

Sestavení

Varování! Před montáží se ujistěte, zda je nářadí vypnuto a zda je napájecí kabel odpojen od zásuvky.

Upevnění boční rukojeti a hlubkového dorazu (obr. A a G)

- ◆ Otáčejte rukojeť proti směru pohybu hodinových ručiček, dokud nebudete moci boční rukojeť (7)

nasunout na přední část nářadí, jako na uvedeném obrázku.

- ◆ Nastavte boční rukojeť do požadované polohy.
- ◆ Zasuňte hlubkový doraz (6) do příslušného otvoru jako na uvedeném obrázku.
- ◆ Nastavte hloubku vrtání podle níže uvedených pokynů.
- ◆ Dotáhněte boční rukojeť otáčením držadla ve směru pohybu hodinových ručiček.

Upínání vrtáku

Rychloupínací sklíčidlo s jednou objímkou (obr. B)

- ◆ Otevřete sklíčidlo stisknutím zajišťovacího tlačítka hnacího hřídele (8) a otáčením objímky (9) proti směru pohybu hodinových ručiček.
- ◆ Zasuňte do sklíčidla upínací stopku nástroje (12).
- ◆ Stisknutím zajišťovacího tlačítka hnacího hřídele (8) a otáčením objímky ve směru pohybu hodinových ručiček proveďte pevné dotažení sklíčidla.

Rychloupínací sklíčidlo se dvěma objímkami (obr. C)

- ◆ Při otevírání sklíčidla jednou rukou otáčejte jeho přední částí (10) a druhou rukou přidržíte jeho zadní část (11).
- ◆ Zasuňte do sklíčidla upínací stopku nástroje (12) a sklíčidlo pevně dotáhněte.

Sklíčidlo s kličkou (obr. D)

- ◆ Otevřete sklíčidlo otáčením objímky (13) proti směru pohybu hodinových ručiček.
- ◆ Zasuňte do sklíčidla upínací stopku nástroje (12).
- ◆ Zasuňte kličku sklíčidla (14) do každého otvoru (15) na boku sklíčidla a otáčením ve směru pohybu hodinových ručiček sklíčidlo utáhněte.

Sejmutí a nasazení sklíčidla (obr. E)

- ◆ Co nejvíce rozevřete čelisti sklíčidla.
- ◆ Pomocí šroubováku odšroubujte ve směru pohybu hodinových ručiček montážní šroub sklíčidla, který se nachází uvnitř sklíčidla.
- ◆ Upněte do sklíčidla šestihranný klíč a udeřte do něj kladivem jako na uvedeném obrázku.
- ◆ Vyjměte šestihranný klíč ze sklíčidla.
- ◆ Vyšroubujte sklíčidlo otáčením proti směru pohybu hodinových ručiček.
- ◆ Chcete-li sklíčidlo znovu namontovat, našroubujte sklíčidlo na hřídel a zajistěte jej montážním šroubem.

Zbytková rizika

Je-li nářadí používáno jiným způsobem, než je uvedeno v příložených bezpečnostních varováních, mohou se objevit dodatečná zbytková rizika. Tato rizika mohou vzniknout v důsledku nesprávného použití, dlouhodobého použití atd.

Přestože jsou dodržovány příslušné bezpečnostní předpisy a jsou používána bezpečnostní zařízení, určitá zbytková rizika nemohou být vyloučena. Tato rizika jsou následující:

- ◆ Zranění způsobená kontaktem s jakoukoli rotující nebo pohybující se částí.
- ◆ Zranění způsobená při výměně dílů, pracovního nástroje nebo příslušenství.
- ◆ Zranění způsobená dlouhodobým použitím nářadí. Používáte-li jakékoli nářadí delší dobu, zajistěte, aby byly prováděny pravidelné přestávky.
- ◆ Poškození sluchu.
- ◆ Zdravotní rizika způsobená vdechováním prachu vytvářeného při použití nářadí (příklad: práce se dřevem, zejména s dubovým, bukovým a MDF).

Použití

Varování! Nechejte nářadí pracovat vlastním tempem. Zamezte přetěžování nářadí.

Varování! Před vrtáním otvorů do zdí, podlah nebo stropů nejdříve zkontrolujte polohu potrubí a elektrických vodičů.

Volba směru otáčení (obr. F)

Při vrtání a utahování šroubů používejte otáčení směrem dopředu (ve směru pohybu hodinových ručiček). Pro uvolňování šroubů a zaseknutých vrtáků používejte otáčení směrem dozadu (proti směru pohybu hodinových ručiček).

- ◆ Chcete-li zvolit otáčení směrem vpřed, zatlačte přepínač chodu vpřed/vzad (3) směrem dolů.
- ◆ Chcete-li zvolit otáčení směrem vzad, zatlačte přepínač chodu vpřed/vzad směrem doprava.

Varování! Nikdy neměňte směr otáčení za chodu motoru.

Volba režimu vrtání

- ◆ Při vrtání do zdiva nastavte volič režimu vrtání (4) do polohy označené symbolem **T**.
- ◆ Při vrtání do ostatních materiálů a při šroubování nastavte volič režimu vrtání do polohy označené symbolem **1**.

Nastavení hloubky vrtání (obr. G)

- ◆ Uvolněte boční rukojeť (7) otočením proti směru pohybu hodinových ručiček.
- ◆ Nastavte hloubkový doraz (6) do požadované polohy. Maximální hloubka vrtání odpovídá

vzdálenosti mezi hrotem vrtáku a přední částí hloubkového dorazu.

- ◆ Přitáhněte boční rukojeť otáčením ve směru pohybu hodinových ručiček.

Zapnutí a vypnutí

- ◆ Chcete-li nářadí zapnout, stiskněte spínač s regulací otáček (1). Otáčky nářadí závisí na intenzitě stisknutí tohoto spínače. Obecně používejte nižší otáčky pro větší průměry vrtáků a vyšší otáčky pro menší průměry.
- ◆ Nepřetržitý chod nářadí zvolíte stisknutím zajišťovacího tlačítka (2) a uvolněním spínače s regulací otáček. Tato funkce je k dispozici pouze pro maximální otáčky při chodu vpřed i vzad.
- ◆ Chcete-li nářadí vypnout, uvolněte spínač s regulací otáček. Chcete-li vypnout nářadí pracující v nepřetržitém režimu, stiskněte ještě jednou spínač s regulací otáček a uvolněte jej.

Příslušenství

Výkon vašeho nářadí závisí na používaném příslušenství. Příslušenství Black & Decker a Piranha jsou vyrobeny podle nejprísnejších norem a zvyšují výkon vašeho nářadí. Pomocí tohoto příslušenství dosáhnete s vašim nářadím nejlepších výsledků.

Údržba

Vaše nářadí Black & Decker bylo zkonstruováno tak, aby pracovalo co nejdéle s minimálními nároky na údržbu. Řádná péče o nářadí a jeho pravidelné čištění vám zajistí jeho bezproblémový chod.

Varování! Před prováděním jakékoliv údržby nářadí vypněte a odpojte napájecí kabel od sítě.

- ◆ Pomocí měkkého kartáče nebo suchého hadříku pravidelně čistěte větrací otvory na nářadí.
- ◆ Pravidelně čistěte kryt motoru vlhkým hadříkem. Nepoužívejte k čištění abrazivní prostředky ani rozpouštědla.
- ◆ Pravidelně otvírejte skřídlo a poklepáním odstraňte prach z vnitřní části nářadí.

Ochrana životního prostředí



Tříděný odpad. Tento výrobek nesmí být vyhozen do běžného domácího odpadu.

Jednoho dne zjistíte, že výrobek Black & Decker musíte vyměnit nebo jej nebudete dále používat. V tomto případě myslíte na ochranu životního prostředí a nevyhazujte jej do domácího odpadu. Zlikvidujte tento výrobek v tříděném odpadu.

ČEŠTINA



Tříděný odpad umožňuje recyklaci a opětovné využití použitých výrobků a obalových materiálů. Opětovné použití recyklovaných materiálů pomáhá chránit životní prostředí před znečištěním a snižuje spotřebu surovin.

Při zakoupení nových výrobků vám prodejny, místní sběrný odpadů nebo recyklační stanice poskytnou informace o správné likvidaci elektro odpadů z domácnosti.

Společnost Black & Decker poskytuje službu sběru a recyklace výrobků Black & Decker po skončení jejich provozní životnosti. Chcete-li získat výhody této služby, odevzdejte prosím váš výrobek kterémukoli autorizovanému zástupci servisu Black & Decker, který nářadí odebere a zajistí jeho recyklaci.

Místo nejbližšího autorizovaného servisu Black & Decker se dozvíte na příslušné adrese uvedené na zadní straně tohoto návodu. Seznam autorizovaných servisů Black & Decker a podrobnosti o poprodejním servisu naleznete také na internetové adrese: **www.2helpU.com**.

Technické údaje

	CD714RE TYP 2	CD714CRE TYP 2	CD714CRES TYP 2	KR604CRES TYP 2	KR654CRES TYP 2	KR714CRES TYP 2
Napájecí napětí	V 230	230	230	230	230	230
Příkon	W 710	710	710	600	650	710
Otáčky naprázdno	min ⁻¹ 0-2800	0-2800	0-2800	0-2800	0-2800	0-2800
Maximální průměr vrtáku						
Ocel/beton	mm 13	13	13	13	13	13
Dřevo	mm 25	25	25	20	20	25
Hmotnost	kg 2,0	2,0	2,0	2,0	2,0	2,0

Hladina akustického tlaku podle normy EN 60745:
Akustický tlak (L_{pA}) 101 dB(A), odchylka (K) 3 dB(A)
Akustický výkon (L_{WA}) 112 dB(A), odchylka (K) 3 dB(A)

Celková úroveň vibrací (prostorový vektorový součet) podle normy EN 60745:
Vrtání s přiklepem do betonu ($a_{h, ID}$) = 17,9 m/s², odchylka (K) = 1,5 m/s²
vrtání do kovu ($a_{h, D}$) = 3,37 m/s², odchylka (K) = 1,5 m/s²

ES Prohlášení o shodě NAŘÍZENÍ PRO STROJNÍ ZAŘÍZENÍ



CD714RE, CD714CRE, CD714CRES, KR604CRES, KR654CRES, KR714CRES

Společnost Black & Decker prohlašuje, že tyto produkty popsané v technických údajích splňují požadavky následujících norem: 2006/42/EC, EN60745-1, EN60745-2-1

Chcete-li získat další informace, kontaktujte prosím společnost Black & Decker na následující adrese nebo na adresách, které jsou uvedeny na konci tohoto návodu.

Níže podepsaná osoba je odpovědná za sestavení technických údajů a provádí toto prohlášení v zastoupení společnosti Black & Decker.

Kevin Hewitt
Viceprezident pro spotřebitelskou techniku
Black & Decker Europe, 210 Bath Road, Slough,
Berkshire, SL1 3YD
United Kingdom
01-04-2011

Záruka

Společnost Black & Decker důvěřuje kvalitě svého vlastního nářadí a poskytuje kupujícím mimořádnou záruku. Tato záruka je nadstandardní a v žádném případě nepoškozuje Vaše zákonná práva. Tato záruka platí ve všech členských státech EU a Evropské zóny volného obchodu EFTA.

Objeví-li se na výrobku Black & Decker, v průběhu 24 měsíců od zakoupení, jakékoli materiálové či výrobní vady, garantujeme ve snaze o minimalizování vašich starostí bezplatnou výměnu vadných dílů, opravu nebo výměnu celého výrobku za níže uvedených podmínek:

- ◆ Výrobek nebyl používán pro obchodní nebo profesionální účely a nedocházelo-li k jeho pronájmu.
- ◆ Výrobek nebyl vystaven nesprávnému použití a nebyla zanedbána jeho předepsaná údržba.
- ◆ Výrobek nebyl poškozen cizím zaviněním.
- ◆ Nebyly prováděny opravy výrobku jinými osobami než pracovníky značkového servisu Black & Decker.

Při uplatňování reklamace je nutno prodejci nebo servisnímu středisku předložit doklad o nákupu výrobku. Místo vaší nejbližší autorizované servisní pobočky Black & Decker se dozvíte na příslušné adrese uvedené na zadní straně této příručky. Seznam autorizovaných servisů Black & Decker a podrobnosti o poprodejním servisu naleznete také na internetové adrese: www.2helpU.com

Navštivte naši internetovou adresu www.blackanddecker.co.uk a zaregistrujte si Váš výrobek Black & Decker. Budete tak mít neustále přehled o nových výrobcích a speciálních nabídkách. Další informace o značce Black & Decker a o našem výrobním programu získáte na internetové adrese www.blackanddecker.co.uk

Rendeltetésszerű használat

Szívvel gratulálunk új Black & Decker Ütvefűrójához. Ezt a készüléket fa, fém, műanyagok és kőzet fúrására valamint csavarozásra terveztük. Az ütvefűró iparszerű felhasználásra nem alkalmas.

Biztonsági előírások

Elektromos kéziszerszámokra vonatkozó általános biztonsági figyelmeztetések



Figyelmeztetés! Olvassa el az összes biztonsági figyelmeztetést és utasítást.

Az utasítások figyelmen kívül hagyása elektromos áramütés veszélyével járhat vagy tüzet és/vagy súlyos balesetet okozhat.

Őrizze meg az összes biztonsági figyelmeztetést és utasítást, hogy később is föllapozhassa. Az "elektromos szerszám" kifejezés a figyelmeztetésekben az Ön által használt vezetékes vagy akkumulátorral üzemeltetett (vezeték nélküli) elektromos szerszámot jelenti.

1. A munkaterület biztonsága

- A munkaterület tiszta és világos legyen.** A rendetlen és sötét munkaterület a balesetek melegágya.
- Soha ne használja az elektromos szerszámot robbanásveszélyes környezetben, például gyúlékony folyadékok, gázok vagy porok jelenlétében.** Az elektromos szerszámokban szikra keletkezik, ami meggyújthatja a port vagy a gőzöket.
- Az elektromos szerszám használata közben ne engedje közel a gyerekeket és a bábéskodókat.** Ha elterelik figyelmét, elveszítheti az ellenőrzést a szerszám fölött.

2. Elektromos biztonság

- Az elektromos kéziszerszám dugasza meg kell, hogy feleljen a hálózati csatlakozóaljzat kialakításának. Soha, semmilyen módon ne változtassa meg a csatlakozódugaszt. A földelt kéziszerszámokkal soha ne használjon adapter dugaszt.** Az eredeti (módosítatlan) csatlakozó és a megfelelő fali csatlakozóaljzat használata csökkenti az áramütés kockázatát.
- Ügyeljen, hogy teste ne érintkezék földelt felületekkel, például csővezetékekkel, radiátorokkal, hűtőszekrényel.** Ha teste földelt felülettel érintkezik, növeli az elektromos áramütés veszélyét.
- Soha ne engedje, hogy az elektromos szerszámok megázzanak, ill. azokat nedvesség érje.** Ha víz kerül az elektromos szerszámba, növeli az elektromos áramütés veszélyét.

- Óvatosan kezelje a tápkábelt. Az elektromos kéziszerszámot soha ne vigye és ne húzza a kábelnél fogva, és a dugaszt ne a kábelnél fogva húzza ki az aljzataból. Óvja a kábelt a hőtől, olajtól, éles szegletektől, illetve mozgó alkatrészekétől.** A sérült vagy összegabalyodott kábel növeli az elektromos áramütés veszélyét.
- Ha a szabadban használja az elektromos szerszámot, kültéri használatra alkalmas hosszabbítókábel vegyen igénybe.** A kültéri használatra alkalmas hosszabbítókábel csökkenti az elektromos áramütés veszélyét.
- Ha elkerülhetetlen az elektromos szerszám nedves helyen való használata, használjon Fi-relével védett áramforrást.** A Fi-relé használata csökkenti az elektromos áramütés veszélyét.

3. Személyes biztonság

- Soha ne veszítse el éberségét, figyeljen oda arra, amit csinál, használja a józan eszét, ha elektromos szerszámmal dolgozik. Ne dolgozzon elektromos szerszámmal, ha fáradt, kábítószert vagy alkoholt fogyasztott, illetve gyógyszer hatása alatt áll.** Elektromos szerszám használata közben egy pillanatnyi figyelmetlenség is súlyos személyi sérüléshez vezethet.
- Használjon egyéni védőfelszerelést. Mindig viseljen védőszemüveget.** A megfelelő körülmények között használt védőfelszerelés, például porálarc, biztonsági csúszásmentes cipő, védősisak vagy fülvédő, csökkenti a személyi sérülés veszélyét.
- Előzze meg a szerszám nem szándékos beindítását. Ellenőrizze, hogy a szerszám kapcsolója a ki állásban van-e, mielőtt a hálózatra vagy akkumulátorra kapcsolja, illetve kézbe veszi a szerszámot.** Ha a szerszámot úgy cipeli, hogy az ujjja a kapcsolón van, ill. olyan szerszámot helyez áram alá, amely be van kapcsolva, balesetet okoz(hat).
- Távolítsa el a beállításához használt kulcsot vagy fogót, mielőtt bekapcsolja az elektromos szerszámot.** A forgó alkatrészeire illesztve maradt fogó vagy kulcs személyi sérülést okozhat.
- Ne végezzen olyan mozdulatokat, amelyek kibillenthetik egyensúlyából. Mindig szilárd felületen álljon, és ügyeljen, ne veszítse el egyensúlyát.** Így jobban tudja uralni a szerszámot váratlan helyzetekben.
- Öltözzön megfelelően. Ne viseljen laza ruházatot vagy ékszert. Haját, ruháját és**

kesztyűjét tartsa távol a mozgó alkatrészek-től. A laza öltözék, az ékszerek vagy a hosszú haj beleakadhat a mozgó alkatrészekbe.

- g. **Ha az adott eszközhöz porleszívó vagy porgyűjtő is tartozik, akkor győződjön meg arról, hogy ezeket megfelelően csatlakoztatta, ill. ezek megfelelően működnek.** A por összegyűjtésével vagy elszívásával elkerülhetők a porral összefüggő veszélyek.
4. **Elektromos szerszámok használata és karbantartása**
 - a. **Ne erőltesse túl az elektromos kéziszerszámot. A célnak megfelelő elektromos szerszámot alkalmazza.** A megfelelő elektromos szerszámmal jobban és biztonságosabban dolgozhat, mert azt kifejezetten az adott feladatra tervezték.
 - b. **Ne használja az elektromos szerszámot, ha a kapcsolóval nem lehet ki- és bekapcsolni.** A hibás kapcsolóval rendelkező elektromos szerszámok használata veszélyes, az ilyen készüléket meg kell javíttatni.
 - c. **Csatlakoztassa le a hálózatról vagy az akkumulátorról a szerszámot mielőtt beállítást végezne rajta, tartozékot cserélné benne, vagy eltávolítaná.** Ezekkel a megelőző biztonsági intézkedésekkel csökkentheti a szerszám véletlen beindításának veszélyét.
 - d. **A nem használt elektromos szerszámot tárolja olyan helyen, ahol a gyerekek nem érhetik el; ne engedje, hogy olyan személyek használják, akik a szerszám használatát és ezen utasításokat nem ismerik.** Gyakorlatlan felhasználó kezében az elektromos szerszám veszélyt jelent.
 - e. **Fordítson gondot az elektromos szerszám karbantartására.** Ellenőrizze, hogy a mozgó alkatrészek illeszkednek-e, nincsenek-e beszorulva; ellenőrizze az alkatrészeket törésre és más olyan sérülésekre, amelyek befolyásolhatják az elektromos eszköz működését. Ha sérült a szerszám, használat előtt javíttassa meg. A nem megfelelően karbantartott elektromos szerszámok sok balesetet okoznak.
 - f. **A vágószerszámok mindig tiszták és élesek legyenek.** A megfelelően karbantartott éles vágószerszám kisebb valószínűséggel szorul be, és jobban kontrollálható.
 - g. **Az elektromos szerszámot, tartozékokat és szerszámbe fogókat a használati utasításnak megfelelően használja, a munkakörülmények és az elvégzendő feladat figyelembe vételével.** Az elektromos szerszám rendel-

tetésétől eltérő használata veszélyhelyzetet teremthet.

5. Szerviz

- a. **A szerszámot képzett szakemberrel szervizeltesse, és csak eredeti cserealkatrészeket használjon fel.** Ezzel biztosíthatja az elektromos kéziszerszám folyamatos biztonságos működését.

Az elektromos szerszámokra vonatkozó további speciális biztonsági utasítások



Figyelmeztetés! További biztonsági utasítások fúrókhoz és ütvefúrókhoz.

- ◆ **Az ütvefúró használata közben viseljen fülvédőt.** A zaj halláskárosodást okozhat.
- ◆ **Használja a szerszámhoz mellékelte oldalfogantyút.** A szerszám feletti uralom elvesztése személyi sérüléssel végződhet.
- ◆ **Az elektromos szerszámot csak a szigetelt fogantyújánál tartsa, ha azzal olyan műveletet végez, amelynél a tartozék rejtett kábeleket vagy a készülék saját kábelét vágthatná el.** Az "élő" (áram alatt lévő) vezetékkel való érintkezés elektromossá teheti a szerszám csupasz fémrészeit, és a kezelő áramütést szenvedhet.
- ◆ **Használjon leszorító eszközt vagy satut a munkadarab biztosításához, illetve megáramoltatásához.** Az irányítás elvesztéséhez vezethet, és személyi sérülést okozhat, ha a munkadarabot a kezében tartja, vagy testéhez támasztja.
- ◆ Fal, padló vagy mennyezet fúrása előtt tájékozódjon az elektromos- és csővezetékek elhelyezkedéséről.
- ◆ Közvetlenül fúrás után ne nyúljon a fúróhegyhez, mert az a fúrás során felforrósodhat.
- ◆ A szerszám rendeltetészerű használatát ebben a kézikönyvben ismertetjük. A kézikönyvben nem ajánlott tartozék vagy felszerelés használata, illetve itt föl nem sorolt műveletek végzése személyes sérülés és/vagy anyagi kár veszélyével jár.

Mások biztonsága

- ◆ A készüléket nem használhatják korlátozott fizikai, érzékelési, mentális képességekkel rendelkező vagy gyakorlatlan személyek (beleértve a gyermekeket is); kivétel, ha számukra a szerszám használatához a biztonságukért felelős személy felügyeletet és tájékoztatást biztosít.
- ◆ A gyerekeket felügyelni kell, nehogy játszanak a szerszámmal.

Rezgés

A műszaki adatlapon és a megfelelőségi nyilatkozatban feltüntetett vibrációs kibocsátási értékeket az EN 60745 szabványnak megfelelően mérték, alkalmasak különböző szerszámok értékeinek összehasonlítására. A feltüntetett vibrációs kibocsátási értékek előzetes expozíciós felmérésekhez szintén felhasználhatók.

Figyelmeztetés! A vibrációs kibocsátási értékek a feltüntetett értéktől különbözhetnek az elektromos szerszám tényleges használata közben a használat függvényében. A vibrációs értékek az itt feltüntetett szint fölé is emelkedhetnek.

A 2002/44/EK irányelv által a géppel rendszeresen dolgozók számára megkövetelt szükséges biztonsági intézkedések meghatározásához végzett vibrációs expozíció felmérése során az expozíció felbecsülésénél tekintetbe kell venni a tényleges használati körülményeket, illetve, hogy a szerszámot milyen módon használják, beleértve, hogy figyelembe kell venni a munkafolyamat minden részét, pl. azokat az időszakokat, amikor a szerszám ki van kapcsolva vagy üresen fut a napi expozíciós idő mellett.

Címkék a szerszámon

A szerszámon a következő piktogramok láthatók:



Figyelem! Sérülésveszély csökkentéséhez, figyelmesen olvassa el a kezelési útmutatót a készülék üzembe helyezése előtt.

Elektromos biztonság



A szerszám kettős szigetelésű; ezért nincs szükség földelő vezetékre. Mindig ellenőrizze, hogy a szerszám adattábláján megadott feszültség egyezik-e a hálózati feszültséggel.

- ◆ Ha a hálózati kábel sérült, azonnal cseréltesse le egy Black & Decker szakszervizben.

Részegységek

1. Változtatható sebességű üzemi kapcsoló
2. Tartósüzem rögzítő gomb
3. Forgásirányváltó kapcsoló
4. Üzem mód választó
5. Tokmány
6. Mélységűtköző (nem minden modellen)
7. Pótfogantyú (nem minden modellen)

B ábra

8. Manuális tengelyrögzítő gomb (csak egyperseyes gyorstokmány esetén)

Összeszerelés

Figyelem! Mielőtt elkezdí a gép összeszerelését,

győződjön meg arról, hogy a készülék ki van kapcsolva, és áramtalanítva van.

Az oldalfogantyú és a mélységűtköző felszerelése (A és G ábra)

- ◆ Addig Forgassa a markolatot az óramutató járásával ellentétes irányba, amíg rá tudja csúsztatni a pótfogantyút (7) a készülék elejére, az ábra szerint.
- ◆ Fordítsa a fogantyút a kívánt pozícióba.
- ◆ Helyezze be a mélységűtközőt (6) a pótfogantyú erre kialakított furatába az ábra szerint.
- ◆ Állítsa a mélységűtközőt a kívánt pozícióba, a későbbiekben leírtak szerint.
- ◆ A markolat óramutató járásával egyező irányba való forgatásával szorítsa rá a fogantyút a gépre.

Fúrósár beillesztése

Egyperseyes gyorstokmány (B ábra)

- ◆ Nyissa szét a tokmányt úgy, hogy lenyomja a manuális tengelyrögzítő gombot (8), és a gyűrűt (9) az óramutató járásával ellentétes irányba forgatja.
- ◆ Illessze a fúrósárat (12) a tokmányba.
- ◆ Erősen húzza meg a tokmányt úgy, hogy lenyomja a manuális tengelyrögzítő gombot (8), és a gyűrűt addig forgassa az óramutató járásának megfelelő irányba, amíg rá nem szorul.

Kétperseyes gyorstokmány (C ábra)

- ◆ Nyissa szét a tokmányt úgy, hogy az első részét (10) forgatja, a hátsó részét (11) pedig a másik kezével fixen tartja.
- ◆ Illessze a fúrósárat (12) a tokmányba, majd erősen húzza meg a tokmányt.

Kulcsos tokmány (D ábra)

- ◆ Nyissa ki a tokmányt a persely (11) óramutató járásával ellentétes irányba történő forgatásával.
- ◆ Illessze a fúrósárat (12) a tokmányba.
- ◆ Illessze a tokmány kulcsot (14) a tokmány oldalán lévő valamennyi nyílásba (15), és addig forgassa az óramutató járásának megfelelő irányba, amíg rá nem szorul.

A fúrótokmány leszerelése és felszerelése (E ábra)

- ◆ Teljesen nyissa ki a tokmánypofákat.
- ◆ Távolítsa el a tokmányrögzítő csavart, - mely a tokmányban helyezkedik el - úgy, hogy egy csavarhúzó segítségével forgassa a csavart az óramutató járásával megegyező irányba.
- ◆ Szorítson a tokmányba egy imbuszkulcsot, és kalapáccsal mérjen gyenge ütésekkel rá, az ábra

- ◆ szerint.
- ◆ Távolítsa el az imbuszkulcsot a tokmányból.
- ◆ Csavarja le a tokmányt a tengelyről az óramutató járásával ellentétes irányba.
- ◆ A tokmány felszereléséhez, csavarja a tokmányt a tengelyre és biztosítsa a tokmányrögzítő csavar segítségével.

Maradványkockázatok

A biztonsági figyelmeztetésekben ismertetett kockázatok mellett más kockázatok is jellemezhetik a szerszám használatát. Ezek a kockázatok a szerszám rendeltetéstől eltérő, illetve huzamos használatából stb. adódhatnak.

A vonatkozó biztonsági előírások alkalmazása és a védőeszközök használata ellenére bizonyos maradványkockázatokat nem lehet elkerülni. Ezek a következők:

- ◆ A forgó/mozgó alkatrészek megérintése által okozott sérülés.
- ◆ Az alkatrészek, vágólapok, tartozékok cseréje által okozott sérülés.
- ◆ A szerszám huzamos használata által okozott egészségkárosodás. Bármely szerszám huzamosabb ideig való használata esetén tartson rendszeres munkaszüneteket.
- ◆ Halláskárosodás.
- ◆ A használat közben keletkező por belégzése miatti egészségkárosodás (például famunkáknál, különös tekintettel a tölgy, bükk és MDF anyagokra).

Használat

Figyelmeztetés! Hagyja a szerszámot saját tempójában működni. Ne terhelje túl.

Figyelmeztetés! Fal, padló vagy mennyezet fúrása előtt tájékozódjon az elektromos- és csővezetékek elhelyezkedéséről.

A forgásirány megválasztása (F ábra)

Fúráshoz és csavarok behajtásához az előremenő (óramutató járásával megegyező) forgásirányt válassza. Csavar meglazításához és a beragadt fúrószár kiszabadításához a hátramenő (óramutató járásával ellentétes) forgásirányt válassza.

- ◆ Az előremenő forgásirányt választásához tolja az irányváltó csúszókapcsolót (3) a bal oldali állásba.
- ◆ A hátramenő forgásirányt választásához tolja az irányváltó csúszókapcsolót a jobb oldali állásba.

Figyelmeztetés! Soha ne változtasson forgásirányt amíg a motor jár.

Fúrás üzemmód kiválasztása

- ◆ Kőzet fúrásához állítsa a fúrásüzemmód-kiválasztó kapcsolót (4) **T** állásba.
- ◆ Más anyagok fúrásához és csavarozáshoz állítsa a fúrásüzemmód-kiválasztó kapcsolót a **1** állásba.

Furatmélység beállítása (G ábra)

- ◆ A markolat (7) óramutató járásával ellentétes irányba történő forgatásával lazítsa meg az oldalfogantyút.
- ◆ Állítsa a mélységütközőt (6) a kívánt helyzetbe. A maximális fúrási mélység egyenlő a fúrószár hegye és a mélységütköző elülső vége közti távolsággal.
- ◆ A markolat óramutató járásának irányában történő forgatásával húzza meg az oldalfogantyút.

Ki- és bekapcsolás

- ◆ A szerszámot a változtatható sebességű üzemi kapcsoló (1) lenyomásával kapcsolja be. A kapcsoló behúzásának mértékével arányosan nő a fordulatszám. Általánosan elmondható, hogy nagy átmérőjű furatok készítéséhez alacsonyabb, kisebb átmérőjű furatok készítéséhez pedig magasabb fordulatszám szükséges.
- ◆ A folyamatos működtetéshez nyomja le a tartósüzem rögzítőgombot (2), majd engedje fel az üzemi kapcsolót. Ez a funkció csak teljes sebesség mellett érhető el mindkét irányban.
- ◆ A szerszámot az üzemi kapcsoló elengedésével kapcsolja ki. Ha tartósüzem használat közben kívánja a készüléket kikapcsolni, nyomja meg még egyszer az üzemi kapcsolót, majd engedje el.

Tartozékok

A szerszám teljesítménye függ a használt tartozékoktól. A Black & Decker és Piranha márkájú tartozékok megfelelnek a legmagasabb minőségi követelményeknek, és tervezésük során a szerszám teljesítményének javítása volt célunk. Ezen tartozékok felhasználásával a szerszámból a legtöbbet tudja kihozni.

Karbantartás

Az Ön Black & Decker szerszámát minimális karbantartás melletti hosszú távú felhasználásra terveztük. A folyamatos kielégítő működés feltétele a megfelelő gondozás és rendszeres tisztítás.

Figyelmeztetés! Bárminemű karbantartás megkezdése előtt kapcsolja ki és áramtalanítsa a szerszámot.

- ◆ Puha kefével vagy száraz törlőkendővel rendszeresen tisztítsa meg a gép szellőzőnyílásait.
- ◆ A motorburkolatot nedves ruhával tisztíthatja.

MAGYAR

Ne használjon súrolószert vagy oldószer alapú tisztítószereket.

- ◆ Rendszeresen nyissa ki a tokmányt (ha van a szárazságon) és ütögesse meg, hogy a belsőjéből kihulljon a por.

Környezetvédelem



Elkülönítve gyűjtendő. A termék nem kezelhető normál háztartási hulladékként.

Ha egy nap úgy találja, hogy az Ön Black & Decker számszáma cserére szorul vagy a továbbiakban nincs rá szüksége, ne dobja ki a háztartási hulladékkal együtt. Gondoskodjék elkülönített kezeléséről.



A használt termékek és a csomagolás elkülönített kezelése lehetővé teszi anyaguk újrafelhasználását. Az újrafeldolgozott anyagok alkalmazása segít megelőzni a környezetszennyezést és csökkenti a nyersanyagigényt.

A helyi rendelkezések intézkedhetnek az elektromos termékek háztartási hulladéktól elkülönített gyűjtéséről a helyi hulladékgyűjtő helyeken, illetve olyan értelemben, hogy a helyi kereskedőnek kell gondoskodnia a termék visszavételéről új termék vásárlásakor.

A Black & Decker lehetőséget biztosít a Black & Decker termékek gyűjtésére és újrafeldolgozására, ha azok elérték élettartamuk végét. E szolgáltatás igénybevételéhez kérjük, vigye vissza a terméket bármely szerződéses szervizünkbe, ahol vállalatunk képviselője gondoskodik annak elkülönített összegyűjtéséről.

Az Önhöz legközelebb eső hivatalos márkaszervizt a kézikönyvben megadott helyi Black & Decker képviselő segítségével érheti el. Emellett a Black & Decker márkaszervizek listája, illetve eladásutáni szolgáltatásaink és azok elérhetőségének részletes ismertetése megtalálható a következő internetes címen: www.2helpU.com.

Műszaki adatok

	CD714RE TÍPUS 2	CD714CRE TÍPUS 2	CD714CRES TÍPUS 2	KR604CRES TÍPUS 2	KR654CRES TÍPUS 2	KR714CRES TÍPUS 2
Bemeneti feszültség	Vac 230	230	230	230	230	230
Felvett teljesítmény	W 710	710	710	600	650	710
Üresjárat	min ⁻¹ 0-2800	0-2800	0-2800	0-2800	0-2800	0-2800
fordulatszám						
Maximális fúrási kapacitás						
Fém/Kőzet	mm 13	13	13	13	13	13
Fa	mm 25	25	25	20	20	25
Súly	kg 2,0	2,0	2,0	2,0	2,0	2,0

Hangnyomásszint az EN 60745 szerint:

Hangnyomásszint (L_{pA}) 101 dB(A), bizonytalanság (K) 3 dB(A)

Hangteljesítményszint (L_{WA}) 112 dB(A), toleranciafaktor (K) 3 dB(A)

Súlyozott effektív rezgésyorsulás (triax vektorösszeg) az EN 60745 szerint:

Útvefűrés közetbe ($a_{h,10}$) = 17,9 m/s², bizonytalanság (K) = 1,5 m/s²

fűrés fémben ($a_{h,10}$) = 3,37 m/s², bizonytalanság (K) = 1,5 m/s²

CE megfelelési nyilatkozat

GÉPI BERENDEZÉSEKRE VONATKOZÓ
IRÁNYELV



**CD714RE, CD714CRE, CD714CRES,
KR604CRES, KR654CRES, KR714CRES**

Black & Decker kinyilvánítja, hogy a "Műszaki adatok" részben ismertetett termékek megfelelnek a következő irányelveknek és szabványoknak: 2006/42/EC, EN60745-1, EN60745-2-1

Ha további információra lenne szüksége, lépjen kapcsolatba Black & Decker vállalattal a következőkben megadott elérhetőségeken, ill. az elérhetőségeket megtalálja a kézikönyv hátoldalán.

Az aláírás tulajdonosa a műszaki adatok összeállításáért felelős személy; nyilatkozatát a Black & Decker vállalat nevében adja.

Kevin Hewitt
Alelnök, Global Engineering
Black & Decker Europe, 210 Bath Road, Slough,
Berkshire, SL1 3YD
Egyesült Királyság
01-04-2011

Az Önhöz legközelebb eső hivatalos márkaszervizt a kézikönyvben megadott helyi Black & Decker képviselő segítségével érheti el. Alternatív megoldásként a szerződött Black & Decker szervizek listája, illetve az eladás-utáni szolgáltatásaink és ezek elérhetőségének részletes ismertetése a következő internetes címen érhető el:

www.2helpU.com

Kérjük, látogassa meg a **www.blackanddecker.hu**

BLACK & DECKER JÓTÁLLÁSI FELTÉTELEK

Gratulálunk Önnek ennek az értékes Black & Decker készülék megvásárlásához.

Azon termékeinkre, amelyet fogyasztói szerződés keretében háztartási, hobby célra vásárolnak **24 hónap jótállást biztosítunk.**

A termék iparszerű használatra nem alkalmas!

A jótállás a fogyasztó törvényből eredő jogait nem érinti.

1) A Stanley Black & Decker Hungary Kft. kötelezettséget vállal arra, hogy a jótállás keretében végzett javításokat a 49/2003. (VII.30.) GKM rendelet és a 151/2003. (IX.22.) Korm. rendelet szerint végzi a jótállás teljes időtartama alatt.

- a) A fogyasztó jótállási igényét a jótállási jeggyel érvényesítheti, ezért azt őrizze meg.
- b) Vásárláskor a forgalmazónak (kereskedőnek) a jótállási jegyen fel kell tüntetnie a termék típusát, gyártási számát, továbbá – amennyiben van ilyen – azonosításra alkalmas részeinek meghatározását, illetve a vásárlás időpontját. A jótállási jegyet a forgalmazó (kereskedő) nevében eljáró személynek alá kell írnia és a kereskedés azonosítására alkalmas tartalmú (minimum cégnév, üzlet címe) bélyegzővel olvashatóan le kell bélyegezni. Kérjük, kísérvé figyelemmel a jótállási jegy megfelelő érvényesítését, mivel a kijelölt szervizeknél a jótállási igény csak érvényes jótállási jeggyel érvényesíthető. Amennyiben a jótállási jegy szabálytalanul került kiállításra, jótállási igényével kérjük forduljon a terméket az Ön részére értékesítő partnerünkhöz (kereskedőhöz). A jótállási jegy szabálytalan kiállítása vagy a fogyasztó részére történő átadás elmaradása nem érinti a jótállási kötelezettségvállalás érvényességét. Kérjük, hogy a jótállási jegyen kívül a nyugtát vagy számlát is szíveskedjen megőrizni a gyorsabb és hatékonyabb ügyintézés érdekében.
- c) Elvesztett jótállási jegyet csak a fogyasztói szerződés létrejöttét igazoló nyugta vagy számla ellenében tudunk pótolni!

2) Nem terjed ki a jótállás:

- a) amennyiben a hiba oka rendeltetésellenes, illetve a mellékelt magyar nyelvű használati kezelési útmutatóban foglaltaktól eltérő használat, átalakítás, szakszerűtlen kezelés, helytelen tárolás, elemi kár vagy egyéb a vásárlás után a fogyasztó érdekkörében keletkezett ok;
- b) amennyiben a terméket iparszerű (professzionális) célokra használták, kölcsönzési szolgáltatás nyújtásához használták fel (nem fogyasztói szerződés);
- c) azon alkatrészekre, amelyek esetében a meghibásodás a jótállási időn belüli rendeltetészerű használat mellett az alkatrészek természetes elhasználódása, kopása miatt következett be (így különösen: fűrészlánc, fűrészlappal, gyalukés, meghatószíj, csapágyak, szénkefe, csillagkerék);
- d) a készülék túlterhelése miatt jelentkező hibákra, amelyek a hajtómű meghibásodásához, vagy egyéb ebből adódó károkhoz vezetnek;
- e) a termék nem hivatalos szervizben történt javításából eredő hibákra;
- f) az olyan károsodásokra, amelyek nem eredeti Black & Decker kiegészítő készülékek és tartozékok használatából adódnak **amennyiben a szakszerviz bizonyítja, hogy a hiba a fenti okok valamelyikére vezethető vissza.**

3) A fogyasztó a kijavítás iránti igényét a forgalmazónál, illetve a jótállási jegyen feltüntetett javítószolgálatnál érvényesítheti.

- a) Meghosszabbodik a jótállási idő a kijavítási idő azon részével, amely alatt a fogyasztó a terméket nem tudta rendeltetészerűen használni.
- b) A jótállási jog érvényesíthetőségének határideje a terméknek vagy jelentősebb részének (motor állórész, forgórész, elektronika) kijavítása vagy kicserélése esetén a kicserélt, kijavított termékre (jelentősebb részére), valamint a kijavítás következményeként jelentkező hiba tekintetében újból kezdődik.
- c) Ha a fogyasztási cikk a vásárlástól (üzembe helyezéstől) számított három munkanapon belül meghibásodik, a fogyasztó kérheti annak kicserélését feltéve, hogy a meghibásodás a rendeltetészerű használatot akadályozza. A Stanley Black & Decker Hungary Kft. a hiba létezése, illetve annak megállapítása céljából, hogy a hiba a rendeltetészerű használatot akadályozza, fenntartja a jogot a hibás termék bevizsgálására.
- d) Amennyiben a jótállási igény bejelentését követően az igény teljesíthetőségéről azonnal nem nyilatkozunk, úgy három munkanapon belül kell értesítenünk a fogyasztót a reklamáció intézésének módjáról.
- e) Ha a csere nem lehetséges, muszájlag hasonló készülék kerül felajánlásra, vagy visszafizetésre kerül a vételár.

4) A jótállás alapján történő javítás során a forgalmazónak (kereskedőnek) törekednie kell arra, hogy a kijavítást legfeljebb 15 napon belül megfelelő minőségben elvégezze, elvégeztesse.

A jótállás keretében tartozó javítás esetén a forgalmazó, illetve a javítószolgálat a jótállási jegyen köteles feltüntetni:

- a javítási igény bejelentésének és a javításra átvétel időpontját,
- a hiba okát
- a javítás módját
- a termék fogyasztó részére történő visszaadásának időpontját,
- a jótállás – kijavítás időtartamával meghosszabbított – új határidejét.

A termék meghibásodása esetén a fogyasztót az alábbi jogok illetik meg:

Elsősorban - választása szerint - kijavítást vagy kicserélést követelhet. A csereigény akkor megalapozott, ha a termék a fogyasztónak okozott jelentős kényelmetlenség nélkül, megfelelő minőségben és ésszerű határidőn belül, értékcsökkenés nélkül nem javítható ki, vagy nem kerül kijavításra.

Ha az előírt módon történő kijavításra, illetve kicserélésre vonatkozó kötelezettségének a forgalmazó nem tud eleget tenni, a fogyasztó – választása szerint – megfelelő árleszállítást igényelhet vagy elállhat a szerződéstől (a hibás áru visszaszolgáltatásával egyidejűleg kérheti a nyugtán vagy számlán feltüntetett bruttó vételár visszatérítését).

Jelentéktelen hiba miatt elállásnak nincs helye!

Kérjük, hogy a hiba felfedezését követő legrövidebb időn belül szíveskedjen azt a szervizben vagy a forgalmazónál bejelenteni.

A kijavítást vagy kicserélést - a dolog tulajdonságaira és a fogyasztó által elvárható rendeltetésére figyelemmel - megfelelő határidőn belül, a fogyasztónak okozott jelentős kényelmetlenség nélkül kell elvégezni. A fogyasztó a kijavítás iránti igényét a jótállási jegyen feltüntetett javítószolgálatnál, illetve a forgalmazó (kereskedő) üzletében érvényesítheti.

Gyártó:	Forgalmazó:
Black & Decker Europe,	Stanley Black & Decker Hungary Kft
210 Bath Road, Slough,	1016. Budapest,
Berkshire, SL13YD,	Mészáros u. 58/B
Egyesült Királyság	

Przeznaczenie

Opisywana wiertarka Black & Decker przeznaczona jest do wiercenia w drewnie, metalach, tworzywach sztucznych i murach oraz do wkręcania wkrętów. Opisywane urządzenie przeznaczone jest wyłącznie do użytku amatorskiego.

Zasady bezpiecznej pracy

Wskazówki dotyczące bezpiecznego użytkownika elektronarzędzi



Uwaga! Należy zapoznać się ze wszystkimi ostrzeżeniami dotyczącymi bezpiecznej pracy oraz z instrukcją obsługi. Nie stosowanie się do ostrzeżeń i zaleceń, może być przyczyną porażenia prądem elektrycznym, pożaru i/lub poważnego zranienia.

Zachowaj wszystkie instrukcje i informacje dotyczące bezpiecznej pracy, aby móc korzystać z nich w przyszłości. Pojęcie "elektronarzędzie" używane w niniejszej instrukcji, oznacza narzędzie zasilane z sieci elektrycznej (przewodem zasilającym) lub akumulatorami (bezwolnowodowe).

1. Bezpieczeństwo w miejscu pracy

- a. **Utrzymuj miejsce pracy w czystości i dbaj o dobre oświetlenie.** Brak porządku i złe oświetlenie są częstą przyczyną wypadków.
- b. **Nie używaj elektronarzędzi w strefach zagrożonych wybuchem, na przykład w pobliżu palnych cieczy, gazów lub pyłów.** Elektronarzędzia mogą wytworzyć iskry powodujące zapłon pyłów lub oparów.
- c. **W czasie pracy elektronarzędziami nie pozwalaj na przebywanie w pobliżu dzieci i innych osób postronnych.** Brak skupienia może spowodować utratę kontroli nad narzędziem.

2. Ochrona przed porażeniem prądem elektrycznym

- a. **Gniazdo musi być dostosowane do wtyczki elektronarzędzia. Nie wolno przerabiać wtyczek. Nie wolno używać przejściówek do zasilania uziemionych elektronarzędzi.** Używanie nieprzerobionych wtyczek i odpowiednich gniazd zmniejsza ryzyko porażenia prądem elektrycznym.
- b. **Należy unikać bezpośredniej styczności z uziemionymi lub zerowanymi powierzchniami, takimi jak rurociągi, grzejniki, kuchenki i lodówki.** Ryzyko porażenia prądem elektrycznym wzrasta, jeśli twoje ciało jest zerowane lub uziemione.

- c. **Nie narażaj elektronarzędzi na działanie deszczu lub zwiększonej wilgotności.** Dostanie się wody do wnętrza elektronarzędzia zwiększa ryzyko porażenia prądem elektrycznym.
- d. **Nie wolno ciągnąć za przewód zasilający. Nie wolno podnosić i przeciągać elektronarzędzia, ani wyjmować wtyczki z gniazda, pociągając za przewód zasilający Chroni przewód zasilający przed kontaktem z gorącymi elementami, olejami, ostrymi krawędziami i ruchomymi częściami.** Uszkodzenie lub zaplątanie przewodu zasilającego zwiększa ryzyko porażenia prądem elektrycznym.
- e. **W czasie pracy elektronarzędziem poza pomieszczeniami zamkniętymi, należy używać przystosowanych do tego przedłużaczy.** Korzystanie z przedłużaczy przystosowanych do użycia na dworze, zmniejsza ryzyko porażenia prądem.
- f. **Jeśli zachodzi konieczność pracy w wylgotnym otoczeniu, należy używać źródła zasilania zabezpieczonego wyłącznikiem różnicowoprądowym (RCD).** Stosowanie wyłączników różnicowoprądowych zmniejsza ryzyko porażenia prądem elektrycznym.

3. Środki ochrony osobistej

- a. **W czasie pracy elektronarzędziem zachowaj czujność, patrz uważnie i kieruj się zdrowym rozsądkiem. Nie używaj elektronarzędzi, jeżeli jesteś zmęczony, pod wpływem narkotyków, alkoholu czy leków.** Nawet chwila nieuwagi, w czasie pracy elektronarzędziem, może doprowadzić do poważnego uszkodzenia ciała.
- b. **Używaj środków ochrony osobistej. Zawsze zakładaj okulary ochronne.** Używanie odpowiedniego od warunków wyposażenia ochronnego, takiego jak maska przeciwpyłowa, anty poślizgowe obuwie ochronne, hełm ochronny czy ochrona słuchu, pozwala zmniejszyć ryzyko uszkodzenia ciała.
- c. **Zapobiegaj przypadkowemu włączeniu. Przed przyłączeniem do źródła zasilania i/lub włożeniem akumulatorów oraz przeniesieniem narzędzia, należy upewnić się, że wyłącznik znajduje się w pozycji "wyłączone".** Trzymanie palca na wyłączniku w czasie przenoszenia elektronarzędzi lub podłączania do zasilania, gdy wyłącznik jest w pozycji "włączone", może łatwo stać się przyczyną wypadku.
- d. **Przed włączeniem elektronarzędzia, należy odłączyć wszystkie klucze i narzędzia do**

regulacji. Pozostawienie klucza lub narzędzia do regulacji połączonego z częściami wirującymi elektronarzędzia może spowodować uszkodzenie ciała.

- e. **Nie wychylaj się. Nie wychylaj się i przyjmij stabilną pozycję, aby zawsze zachowywać równowagę.** Umożliwia to lepszą kontrolę nad narzędziem w nieoczekiwanych sytuacjach.
 - f. **Założ odpowiedni strój. Nie noś luźnego ubrania lub biżuterii. Trzymaj włosy, ubranie i rękawice z dala od ruchomych elementów.** Luźne ubranie, biżuteria lub długie włosy mogą zostać pochwycone przez ruchome części.
 - g. **Jeśli sprzęt jest przystosowany do przyłączenia urządzeń odprowadzających i zbierających pył, upewnij się, czy są one przyłączone i właściwie użytkowane.** Używanie takich urządzeń zmniejsza zagrożenia związane z obecnością pyłów.
4. **Obsługa i konserwacja elektronarzędzi**
- a. **Nie wolno przeciążać elektronarzędzi. Używaj elektronarzędzi odpowiednich do wykonywanej pracy.** Dzięki odpowiednim elektronarzędziom wykonasz pracę lepiej i w sposób bezpieczny, w tempie, do jakiego narzędzie zostało zaprojektowane.
 - b. **Nie wolno używać elektronarzędzia z zepsutym wyłącznikiem, który nie pozwala na sprawne włączanie i wyłączanie.** Elektronarzędzie, którego pracy nie można kontrolować wyłącznikiem, jest niebezpieczne i musi zostać naprawione.
 - c. **Przed przystąpieniem do regulacji, wymiany akcesoriów oraz przed schowaniem elektronarzędzia, należy odłączyć wtyczkę od źródła zasilania i/lub odłączyć akumulator od urządzenia.** Stosowanie takich środków zapobiegawczych zwiększa bezpieczeństwo i zmniejsza ryzyko przypadkowego uruchomienia elektronarzędzia.
 - d. **Nie używane elektronarzędzie przechowuj poza zasięgiem dzieci i nie dopuszczaj osób nie znających elektronarzędzia lub tej instrukcji do posługiwania się elektronarzędziem.** Elektronarzędzia obsługiwane przez osoby nieprzygotowane stanowią zagrożenie.
 - e. **Regularnie dokonuj konserwacji elektronarzędzi. Sprawdź, czy ruchome części są właściwie połączone i zamocowane, czy części nie są uszkodzone oraz skontroluj wszelkie inne elementy mogące mieć wpływ na pracę elektronarzędzia. Uszkodzenia należy naprawić przed przystąpieniem do użytkowania.** Wiele wypadków spowodowa-

nych jest przez niedostateczną konserwację elektronarzędzi.

- f. **Dbaj o czystość narzędzi i ostrość elementów tnących.** Zadbane narzędzia tnące, z ostrymi krawędziami tnącymi, rzadziej się zacinają i są łatwiejsze w prowadzeniu.
 - g. **Elektronarzędzia, akcesoriów i końcówek należy używać zgodnie z niniejszą instrukcją obsługi, uwzględniając warunki i rodzaj wykonywanej pracy.** Użycie elektronarzędzia w sposób niezgodny z przeznaczeniem może być bardzo niebezpieczne.
5. **Naprawy**
- a. **Powierzaj naprawy elektronarzędzi wyłącznie osobom wykwalifikowanym, używającym identycznych części zamiennych.** Zapewni to bezpieczeństwo użytkownika naprawionego urządzenia.

Bezpieczne użytkowanie elektronarzędzi - wskazówki dodatkowe



Uwaga! Dodatkowe wskazówki dotyczące bezpiecznej pracy wiertarkami i wiertarkami udarowymi.

- ◆ **W czasie pracy wiertarkami udarowymi należy nosić ochronę słuchu.** Ekspozycja na hałas może powodować utratę słuchu.
- ◆ **Używaj dodatkowych uchwytów dostarczonych razem z narzędziem.** Utrata kontroli nad narzędziem może spowodować uszkodzenie ciała.
- ◆ **W W przypadku prac, w czasie których może dojść do przecięcia własnego lub ukrytych przewodów, należy trzymać urządzenie wyłącznie za izolowane uchwyty.** Przecięcie przewodu z prądem może spowodować pojawienie się napięcia na metalowych częściach obudowy i porażenie prądem operatora.
- ◆ **Obrabiany element należy zamocować do stałej podstawy, na przykład za pomocą zacisków.** Trzymanie obrabianego elementu w ręce lub oparcie o ciało, jest niewystarczające i może stać się przyczyną utraty kontroli nad narzędziem.
- ◆ **Przed rozpoczęciem wiercenia w ścianach, podłodze czy suficie, ustal położenie przewodów i rur.**
- ◆ **Unikaj dotykania czubka wiertła bezpośrednio po wierceniu, ponieważ może być gorący.**
- ◆ **Przeznaczenie urządzenia opisane jest w niniejszej instrukcji obsługi.** Używanie jakichkolwiek akcesoriów lub wykonywanie prac sprzecznych z przeznaczeniem opisywanym w instrukcji

obsługi, może powodować niebezpieczeństwo uszkodzenia ciała i/lub uszkodzenia mienia.

Bezpieczeństwo osób postronnych

- ◆ Opisywane narzędzie nie może być używane przez osoby (dot. także dzieci), które mają ograniczone możliwości ruchowe, percepcji lub pojmowania lub brakuje im doświadczenia i wiedzy, z wyjątkiem przypadku, gdy pozostają one pod nadzorem osoby odpowiedzialnej za ich bezpieczeństwo lub zostały przez nią przeszkolone w zakresie obsługi urządzenia.
- ◆ Należy pilnować dzieci, aby nie bawiły się urządzeniem.

Drgania

Podawana w tabeli danych technicznych oraz w deklaracji zgodności z normami wartość drgań (wibracji), została zmierzona zgodnie ze standardową procedurą zawartą w normie EN 60745. Informacja ta może służyć do porównywania tego narzędzia z innymi. Deklarowana wartość emitowanych drgań może również służyć do przewidywania stopnia narażenia użytkownika na wibracje.

Uwaga! Chwilowa siła drgań, występująca w czasie pracy elektronarzędziem, może odbiegać od podawanych wartości, w zależności od sposobu użytkowania urządzenia. Poziom wibracji może przekroczyć podawaną wartość.

Przy określaniu ekspozycji na wibracje, w celu podjęcia środków ochrony osób zawodowo użytkujących elektronarzędzia, zgodnie z normą 2002/44/EC należy uwzględnić rzeczywiste warunki i rodzaj wykonywanej pracy. Także okresy przestoju i pracy bez obciążenia.

Oznaczenia na narzędziu

Na obudowie narzędzia umieszczono następujące piktogramy:



Uwaga! Aby zminimalizować ryzyko zranienia, użytkownik musi zapoznać się z instrukcją obsługi.

Ochrona przed porażeniem prądem elektrycznym



Opisywane elektronarzędzie jest podwójnie izolowane; dlatego nie ma konieczności stosowania dodatkowego uziemienia. Należy zawsze upewnić się, czy napięcie zasilania zgodne jest z wartością podaną na tabliczce znamionowej.

- ◆ Ze względów bezpieczeństwa wymianę uszkodzonego przewodu zasilającego należy powierzyć producentowi lub autoryzowanemu

centrum serwisowemu Black & Decker.

Wyposażenie

1. Wyłącznik z regulacją prędkości obrotowej
2. Przycisk blokady wyłącznika
3. Przełącznik lewych / prawych obrotów
4. Przełącznik trybu pracy
5. Uchwyt
6. Ogranicznik głębokości wiercenia (niektóre modele)
7. Dodatkowa rękojeść (niektóre modele)

Rys. B

8. Przycisk ręcznej blokady wrzeciona (tylko uchwyty bezkluczykowe z pojedynczym zaciskiem)

Montaż

Uwaga! Przed rozpoczęciem montażu upewnić się, czy narzędzie jest wyłączone i wtyczka zasilająca jest odłączona.

Montaż uchwytu bocznego i ogranicznika głębokości wiercenia (rys. A i rys. G)

- ◆ Obracać zacisk przeciwnie do wskazówek zegara aż do momentu, gdy możliwe będzie nasadzenie uchwytu (7) na przednią część wiertarki, jak na rysunku.
- ◆ Ustawić rękojeść w żądanej pozycji.
- ◆ Wsunąć ogranicznik głębokości wiercenia (6) do otworu, jak na rysunku.
- ◆ Nastawić żądaną głębokość wiercenia postępując zgodnie z poniższym opisem.
- ◆ Zamocować dodatkową rękojeść obracając uchwyt zgodnie z ruchem wskazówek zegara.

Montaż wiertła

Uchwyt bezkluczykowy z pojedynczym zaciskiem (Rys. B)

- ◆ Otworzyć uchwyt naciskając na przycisk ręcznej blokady wrzeciona (8) i obracając zacisk (9) przeciwnie do ruchu wskazówek zegara.
- ◆ Wsunąć trzonek wiertła (12) w uchwyt.
- ◆ Mocno zacisnąć uchwyt naciskając na przycisk ręcznej blokady wrzeciona (8) i obracając zacisk zgodnie z ruchem wskazówek zegara.

Uchwyt bezkluczykowy z podwójnym zaciskiem (Rys. C)

- ◆ Otworzyć uchwyt odkręcając przednią część (10) i jednocześnie trzymając drugą ręką część tylną (11).
- ◆ Wsunąć trzonek wiertła (12) w uchwyt i mocno zacisnąć uchwyt.

Uchwyt kluczykowy (Rys. D)

- ◆ Rozchylić uchwyt poprzez obracanie pierścienia (13) przeciwnie do ruchu wskazówek zegara.
- ◆ Wsunąć trzonek wiertła (12) w uchwyt.
- ◆ Kolejno wsuwać kluczki wiertarski (14) w otwory z boku uchwyty (15) i zacisnąć uchwyt dokręcając zgodnie z ruchem wskazówek zegara.
- ◆ Aby ustawić prawe obroty, należy przesunąć przełącznik lewych / prawych obrotów (3) w lewo.
- ◆ Aby ustawić lewe obroty, należy przesunąć przełącznik lewych / prawych obrotów w prawo.

Uwaga! Nie wolno przełączać kierunku obrotów w czasie pracy silnika.

Demontaż i wymiana uchwyty (fig. E)

- ◆ Maksymalnie otworzyć uchwyt.
- ◆ Odkręcić śrubokrętem zgodnie z ruchem wskazówek zegara śrubę blokującą uchwyt.
- ◆ Wsunąć klucz sześciokątny do uchwyty i uderzyć młotkiem, jak pokazano na rysunku.
- ◆ Wyjąć klucz sześciokątny.
- ◆ Zdjąć uchwyt wykręcając go w kierunku odwrotnym do ruchu wskazówek zegara.
- ◆ Aby zamontować uchwyt, należy nakręcić go na wrzeciono i zabezpieczyć śrubą mocującą.

Pozostałe zagrożenia

W czasie pracy elektronarzędziem mogą powstać zagrożenia, które nie zostały uwzględnione w załączonej instrukcji dotyczącej bezpiecznego użytkowania. Zagrożenia te mogą wynikać z niewłaściwego użytkowania, zbyt intensywnej eksploatacji lub innych przyczyn.

Nawet w przypadku przestrzegania zasad bezpiecznej pracy i stosowania środków ochronnych, nie jest możliwe uniknięcie pewnych zagrożeń. Należą do nich:

- ◆ Zranienia wynikające z dotknięcia wirujących / ruchomych elementów.
- ◆ Zranienia w czasie wymiany części, ostrzy lub akcesoriów.
- ◆ Zranienia związane ze zbyt długotrwałym użytkowaniem narzędzia. Pracując przez dłuższy czas, należy robić regularne przerwy.
- ◆ Ryzyko uszkodzenia słuchu.
- ◆ Zagrożenie dla zdrowia spowodowane wdychaniem pyłu wytwarzanego podczas użytkowania urządzenia (np.: podczas pracy w drewnie, szczególnie dębowym, bukowym oraz MDF).

Eksploatacja

Uwaga! W czasie pracy uwzględnij wydajność elektronarzędzia. Nie przeciążaj narzędzia.

Uwaga! Przed rozpoczęciem wiercenia w ścianach, podłodze czy suficie, ustal położenie przewodów i rur.

Wybór kierunku obrotów (Rys. F)

Do wiercenia i wkręcania wkrętów, należy ustawić prawe obroty (zgodnie z ruchem wskazówek zegara). Aby wykręcać wkręty lub wyjąć zaklinowane wiertło, należy używać lewych obrotów (przeciwnych do ruchu wskazówek zegara).

Włączanie udaru

- ◆ Do wiercenia w murach, należy ustawić przełącznik trybu pracy (4) w pozycji **T**.
- ◆ Do wiercenia w innych materiałach, należy ustawić przełącznik trybu pracy w pozycji **A**.

Regulacja głębokości wiercenia (Rys. G)

- ◆ Poluzować dodatkową rękojeść (7) obracając uchwyt przeciwnie do ruchu wskazówek zegara.
- ◆ Ustawić ogranicznik głębokości wiercenia (6) w żądanej pozycji. Maksymalna głębokość wiercenia równa jest odległości pomiędzy czubkiem wiertła a przednim końcem ogranicznika głębokości.
- ◆ Zamocować dodatkową rękojeść obracając uchwyt zgodnie z ruchem wskazówek zegara.

Włączanie i wyłączenie

- ◆ Aby włączyć narzędzie, należy nacisnąć wyłącznik z regulacją obrotów (1). Prędkość obrotowa zależy od głębokości wciśnięcia przycisku. Ogólna zasada mówi, że przy wiertłach o dużej średnicy stosuje się niskie prędkości obrotowe, a dla mniejszych średnic wiertel, wyższe prędkości obrotowe.
- ◆ Praca ciągła możliwa jest po wciśnięciu przycisku blokady wyłącznika (2) i zwolnieniu wyłącznika z regulacją obrotów. Jest to możliwe tylko przy pełnej prędkości obrotowej, zarówno dla lewych jak i prawych obrotów.
- ◆ Aby wyłączyć narzędzie, należy zwolnić wyłącznik z regulacją obrotów. Aby wyłączyć narzędzie pracujące w trybie ciągłym, należy powtórnie nacisnąć wyłącznik z regulacją prędkości i zwolnić go.

Akcesoria

Wydajność narzędzia zależy od użytego osprzętu. Osprzęt Black & Decker i Piranha został wykonany z zachowaniem wysokich standardów jakości i zaprojektowany tak, aby podnieść wydajność narzędzia. Używając tych akcesoriów maksymalnie wykorzystasz możliwości swojego narzędzia.

Konserwacja

Narzędzia Black & Decker zostały zaprojektowane tak, aby zapewnić długoletnią, prawie bezobsłu-

gową, pracę urządzenia. Aby długo cieszyć się właściwą pracą urządzenia, należy odpowiednio z nim postępować i regularnie je czyścić.

Uwaga! Przed wykonywaniem jakichkolwiek czynności konserwacyjnych wyłączyć narzędzie i wyjąć wtyczkę z gniazda.

- ◆ Regularnie czyścić otwory wentylacyjne przy użyciu miękkiej szczotki albo suchej ściereczki.
- ◆ Okresowo czyścić obudowę wilgotną ściereczką. Nie wolno używać preparatów do szorowania ani na bazie rozpuszczalników.
- ◆ Okresowo należy rozkręcić uchwyt i wytrześć z niego gromadzący się pył.

Ochrona środowiska



Selektywna zbiórka odpadów. Opisywanego produktu nie wolno utylizować razem ze zwykłymi śmieciami z gospodarstw domowych.

Gdy okaże się, że konieczna jest wymiana posiadanego narzędzia Black & Decker lub nie będzie się go więcej używać, nie należy wyrzucać go razem ze śmieciami z gospodarstwa domowego. Należy przekazać produkt do punktu selektywnej zbiórki odpadów.



Selektywna zbiórka zużytych produktów i opakowań pozwala na powtórne wykorzystanie użytych materiałów. Powtórne użycie materiałów pomaga chronić środowisko naturalne przed zanieczyszczeniem i zmniejsza zapotrzebowanie na surowce.

Lokalne przepisy mogą zapewniać możliwość selektywnej zbiórki zużytych urządzeń elektrycznych z gospodarstw domowych na miejskich wysypiskach śmieci lub u sprzedawcy, w przypadku zakupu nowego urządzenia.

Black & Decker zapewnia możliwość zbiórki i recyklingu swoich produktów po zakończeniu okresu eksploatacji. Aby skorzystać z tej możliwości, prosimy zwrócić się do jednego z Autoryzowanych Przedstawicieli Serwisowych, który odbierze je od Państwa w naszym imieniu.

Adres najbliższego autoryzowanego przedstawiciela serwisowego mogą Państwo otrzymać kontaktując się z miejscowym biurem Black & Decker, którego adres podany jest w tej instrukcji obsługi. Lista autoryzowanych przedstawicieli serwisowych Black & Decker oraz informacje na temat naszego serwisu posprzedażnego, dostępne są na stronie internetowej: www.2helpU.com.

Dane techniczne

	CD714RE TYP 2	CD714CRE TYP 2	CD714CRES TYP 2	KR604CRES TYP 2	KR654CRES TYP 2	KR714CRES TYP 2
Napięcie zasilania	Vac 230	230	230	230	230	230
Pobór mocy	W 710	710	710	600	650	710
Prędkość	min ⁻¹ 0-2800	0-2800	0-2800	0-2800	0-2800	0-2800
bez obciążenia						
Maksymalna						
średnica wiercenia						
Stal / beton	mm 13	13	13	13	13	13
Drewno	mm 25	25	25	20	20	25
Waga	kg 2,0	2,0	2,0	2,0	2,0	2,0

Poziom ciśnienia akustycznego zgodnie z EN 60745:

Ciśnienie akustyczne (L_{pA}) 101 dB(A), wahania (K) 3 dB(A)

Moc akustyczna (L_{WA}) 112 dB(A), niepewność (K) 3 dB(A)

Sumaryczna wielkość drgań (suma wektorów trzech osi) zgodnie z normą EN 60745:

Wiercenie z udarem w betonie ($a_{h,1D}$) = 17.9 m/s², wahania (K) = 1.5 m/s²

Wiercenie w metalu ($a_{h,D}$) = 3.37 m/s², wahania (K) = 1.5 m/s²

Deklaracja zgodności UE

DYREKTYWA MASZYNOWA



Firma Black & Decker oświadcza, że opisywane wiertarki udarowe CD714RE, CD714CRE, CD714CRES, KR604CRES, KR654CRES, KR714CRES, spełniają wymagania norm: 2006/42/EC, EN60745-1, EN60745-2-1

Aby otrzymać więcej informacji, należy skontaktować się z firmą Black & Decker pod adresem podanym poniżej lub na końcu instrukcji.

Osoba niżej podpisana jest odpowiedzialna za przygotowanie dokumentacji technicznej i sporządza tę deklarację w imieniu firmy Black & Decker.

Kevin Hewitt
Vice-President Global Engineering
Black & Decker Europe, 210 Bath Road, Slough,
Berkshire, SL1 3YD
Wielka Brytania
01-04-2011

Black & Decker

WARUNKI GWARANCJI:

Firma Black & Decker jest pewna jakości swoich produktów i oferuje dla nich doskonałą gwarancję. Niniejsze warunki gwarancji nie pomniejszają praw klienta wynikających z polskich regulacji ustawowych lecz są ich uzupełnieniem. Gwarancja jest ważna na terenie Rzeczypospolitej Polskiej.

Black & Decker gwarantuje sprawne działanie produktu w przypadku postępowania zgodnego z warunkami techniczno-eksploatacyjnymi opisanymi w instrukcji obsługi.

Niniejszą gwarancją nie jest objęte dodatkowe wyposażenie, jeżeli nie została do niego dołączona oddzielna karta gwarancyjna oraz elementy wyrobu podlegające naturalnemu zużyciu.

1. Niniejszą gwarancją objęte są usterki produktu spowodowane wadami produkcyjnymi i wadami materiałowymi.
2. Niniejsza gwarancja jest ważna po przedstawieniu przez Klienta w Centralnym Serwisie Gwarancyjnym reklamowanego produktu oraz łącznie:
 - a) poprawnie wypełnionej karty gwarancyjnej;
 - b) ważnego paragonu zakupu z datą sprzedaży taką, jak w karcie gwarancyjnej lub kopii faktury.
3. Gwarancja obejmuje bezpłatną naprawę urządzenia (wraz z bezpłatną wymianą uszkodzonych części) w okresie 24 miesięcy od daty zakupu.
4. Produkt reklamowany musi być:
 - a) dostarczony bezpośrednio do Centralnego Serwisu Gwarancyjnego wraz z poprawnie wypełnioną Kartą Gwarancyjną i ważnym paragonem zakupu (lub kopią faktury) oraz szczegółowym opisem uszkodzenia, lub
 - b) przesłany do Centralnego Serwisu Gwarancyjnego za pośrednictwem punktu sprzedaży wraz z dokumentami wymienionymi powyżej.
5. Koszty wysyłki do Centralnego Serwisu Gwarancyjnego ponosi Serwis. Wszelkie koszty związane z zapewnieniem bezpiecznego opakowania, ubezpieczeniem i innym ryzykiem ponosi Klient. W przypadku odrzucenia roszczenia gwarancyjnego, produkt jest odsyłany do miejsca nadania na koszt adresata.
6. Usterki ujawnione w okresie gwarancji będą usunięte przez Centralny Serwis Gwarancyjny w terminie:
 - a) 14 dni roboczych od daty przyjęcia produktu przez Centralny Serwis Gwarancyjny;
 - b) termin usunięcia wady (punkt 6a) może być wydłużony o czas niezbędny do importu niezbędnych części zamiennych.
7. Klient otrzyma nowy sprzęt, jeżeli:
 - a) Centralny Serwis Gwarancyjny stwierdzi na piśmie, że usunięcie wady jest niemożliwe;
 - b) produkt nie podlega naprawie, tylko wymianie bez dokonywania naprawy.
8. O ile taki sam produkt jest nieosiągalny, może być wydany nowy produkt o nie gorszych parametrach.
9. Decyzja Centralnego Serwisu Gwarancyjnego odnośnie zasadności zgłaszanych usterek jest decyzją ostateczną.
10. Gwarancją nie są objęte:
 - a) wadliwe działanie lub uszkodzenia spowodowane niewłaściwym użytkowaniem lub użytkowaniem produktu niezgodnie z przeznaczeniem, instrukcją obsługi lub przepisami bezpieczeństwa. W szczególności profesjonalne użytkowanie amatorskich narzędzi Black & Decker powoduje utratę gwarancji;
 - b) wadliwe działanie lub uszkodzenia spowodowane przeciążaniem narzędzia, które prowadzi do uszkodzeń silnika, przekładni lub innych elementów a także stosowaniem osprzętu innego niż zalecany przez Black & Decker;
 - c) mechaniczne uszkodzenia produktu i wywołane nimi wady;
 - d) wadliwe działanie lub uszkodzenia na skutek działania pożaru, powodzi, czy też innych klęsk żywiołowych, nieprzewidzianych wypadków, korozji, normalnego zużycia w eksploatacji czy też innych czynników zewnętrznych;
 - e) produkty, w których naruszone zostały plomby gwarancyjne lub, które były naprawiane poza Centralnym Serwisem Gwarancyjnym lub były przerabiane w jakikolwiek sposób;
 - f) osprzęt eksploatacyjny dołączony do urządzenia oraz elementy ulegające naturalnemu zużyciu.
11. Centralny Serwis Gwarancyjny, firmy handlowe, które sprzedały produkt, nie udzielają uprawnień ani gwarancji innych niż określone w karcie gwarancyjnej. W szczególności nie obejmują prawa klienta do domagania się zwrotu utraconych zysków w związku z uszkodzeniem produktu.
12. Gwarancja nie wyłącza, nie ogranicza ani nie zawiesza uprawnień kupującego wynikających z niezgodności towaru z umową.

Centralny Serwis Gwarancyjny ERPATECH
ul. Obozowa 61, 01-418 Warszawa
tel.: (22) 862-08-08, faks: (22) 862-08-09

Použitie výrobku

Vaša vŕtačka Black & Decker je určená na vŕtanie do dreva, kovu, plastu a muriva a tiež na skrutkovanie. Tento výrobok je určený len na spotrebiteľské použitie.

Bezpečnostné pokyny

Všeobecné bezpečnostné pokyny pre prácu s elektrickým náradím



Varovanie! Pozorne si prečítajte všetky bezpečnostné varovania a pokyny. Nedodržanie uvedených pokynov môže spôsobiť úraz elektrickým prúdom, vznik požiaru alebo iné vážne poranenie.

Tieto bezpečnostné varovania a pokyny uschovajte pre prípadné ďalšie použitie. Označenie "elektrické náradie" vo všetkých nižšie uvedených upozorneniach odkazuje na Vaše náradie napájané zo siete (obsahuje napájací prívodný kábel) alebo náradie napájané batériami (bez prívodného kábla).

1. Bezpečnosť v pracovnom priestore

- a. **Pracovný priestor udržiavajte v čistote a dobre osvetlený.** Neporiadok na pracovnom stole a nedostatok svetla v jeho okolí vedú k nehodám.
- b. **S elektrickým náradím nepracujte vo výbušných priestoroch, ako sú napríklad priestory s výskytom horľavých kvapalín, plynov alebo prašných látok.** Elektrické náradie je zdrojom iskrenia, čo môže viesť k vznieteniu prachu alebo výparov.
- c. **Pri práci s elektrickým náradím držte deti a nepovolajte osoby mimo jeho dosahu.** Rozptyľovanie môže spôsobiť stratu kontroly nad náradím.

2. Elektrická bezpečnosť

- a. **Zástrčka prívodného kábla náradia musí zodpovedať zásuvke. Nikdy akýmkoľvek spôsobom zástrčku neupravujte. Nepoužívajte s uzemneným elektrickým náradím žiadne upravené zástrčky.** Neupravované zástrčky a zodpovedajúce zásuvky znižujú riziko vzniku úrazu elektrickým prúdom.
- b. **Nedotýkajte sa uzemnených povrchov, ako sú napr. potrubia, radiátory, sporáky a chladničky.** Pri uzemnení Vášho tela hrozí zvýšené nebezpečenstvo úrazu elektrickým prúdom.
- c. **Nevystavujte elektrické náradie dažďu alebo vlhkému prostrediu.** Pokiaľ do náradia vnikne voda, zvýši sa riziko úrazu elektrickým prúdom.

- d. **S prívodným káblom zaobchádzajte opatrne. Nikdy nepoužívajte prívodný kábel na prenášanie náradia, na jeho posúvanie a pri odpájaní náradia od elektrickej siete za neho neťahajte.** Dbajte na to, aby sa kábel nedostal do kontaktu s masťnými, horúcimi a ostrými predmetmi a s pohyblivými časťami náradia. Poškodený alebo zapletený prívodný kábel zvyšuje riziko vzniku úrazu elektrickým prúdom.
- e. **Pri práci s náradím vonku používajte predžovacie káble určené na vonkajšie použitie.** Použitie kábla určeného na vonkajšie použitie znižuje riziko úrazu elektrickým prúdom.
- f. **Pri práci s elektrickým náradím vo vlhkom prostredí musíte v napájacom okruhu použiť prúdový chránič (RCD).** Použitie prúdového chrániča (RCD) znižuje riziko úrazu elektrickým prúdom.

3. Bezpečnosť osôb

- a. **Zostaňte stále pozorní, sledujte, čo robíte a pri práci s elektrickým náradím premýšľajte. Nepoužívajte elektrické náradie, ak ste unavení alebo ak ste pod vplyvom drog, alkoholu alebo liekov.** Chvilka nepozornosti pri práci s elektrickým náradím môže viesť k vážnemu úrazu.
- b. **Používajte prostriedky na ochranu osôb. Vždy používajte ochranu zraku.** Vždy používajte ochranu zraku. Ochranné prostriedky, ako respirátor, nekĺzavá pracovná obuv, pokrývka hlavy a chrániče sluchu znižujú riziko poranenia osôb.
- c. **Zabráňte náhodnému zapnutiu. Pred pripojením k zdroju napätia alebo pred vložením akumulátora, zdvíhaním alebo prenášaním náradia skontrolujte, či je hlavný vypínač vypnutý.** Prenášanie náradia s prstom na hlavnom vypínači alebo pripojenie prívodného kábla k elektrickému rozvodu, ak je hlavný vypínač náradia v zapnutej polohe, môže spôsobiť úraz.
- d. **Pred zapnutím náradia sa vždy uistite, či nie sú v jeho blízkosti kľúče alebo nastavovacie prípravky.** Ponechané kľúče môžu byť zachytené rotujúcimi časťami náradia a môžu spôsobiť úraz.
- e. **Neprekážajte sami sebe. Pri práci vždy udržujte vhodný a pevný postoj.** Tak sa umožní lepšia ovládateľnosť náradia v neočakávaných situáciách.
- f. **Vhodne sa obliekajte. Nenoste voľný odev alebo šperky.** Dbajte na to, aby sa Vaše vlasy, odev a rukavice nedostali do kontaktu s pohyblivými časťami. Voľné šaty, šperky

alebo dlhé vlasy môžu byť pohyblivými dielmi zachytené.

- g. **Ak sú zariadenia vybavené adaptérom pre pripojenie odsávacieho zariadenia a zberných zásobníkov, zaistite ich správne pripojenie a riadnu funkciu.** Použitie týchto zariadení môže znížiť nebezpečenstvo týkajúce sa prachu.
4. **Použitie elektrického náradia a jeho údržba**
- a. **Elektrické náradie nepretáčajte. Používajte správny typ náradia pre Vašu prácu.** Náradie bude pracovať lepšie a bezpečnejšie, ak sa bude používať vo výkonnostnom rozsahu, pre ktorý bolo určené.
- b. **Ak nejde hlavný vypínač náradia zapnúť a vypnúť, s náradím nepracujte.** Akékoľvek náradie s nefunkčným hlavným vypínačom je nebezpečné a musí byť opravené.
- c. **Pred výmenou akýchkoľvek častí, príslušenstva alebo iných pripojených súčastí, pred vykonávaním údržby alebo pokiaľ náradie nepoužívate, odpojte ho od elektrickej siete alebo vyberte akumulátor.** Tieto preventívne bezpečnostné opatrenia znižujú riziko náhodného zapnutia náradia.
- d. **ak náradie nepoužívate, uložte ho mimo dosahu detí a zabránite tomu, aby toto náradie použili osoby, ktoré nie sú oboznámené s jeho obsluhou alebo s týmto návodom.** Elektrické náradie je v rukách nekvalifikovanej obsluhy nebezpečné.
- e. **Údržba elektrického náradia. Skontrolujte vychýlenie či zaseknutie pohyblivých častí, poškodenie jednotlivých dielov a iné okolnosti, ktoré môžu mať vplyv na chod náradia. Pokiaľ je náradie poškodené, nechajte ho pred použitím opraviť.** Mnoho nehôd vzniká v dôsledku nedostatočnej údržby náradia.
- f. **Rezné nástroje udržiavajte ostré a čisté.** Riadne udržiavané rezné nástroje s ostrými hranami sa menej zanášajú a lepšie sa ovládajú.
- g. **Náradie, príslušenstvo a držiaky nástrojov používajte podľa týchto pokynov a spôsobom určeným daným typom náradia. Berte do úvahy prevádzkové podmienky a prácu, ktorú je nutné vykonať.** Použitie náradia na iné účely, než na aké je určené, môže byť nebezpečné.
5. **Opravy**
- a. **Zverte opravu Vášho náradia iba osobe s príslušnou kvalifikáciou, ktorá bude používať výhradne originálne náhradné diely.** Tým zaistíte bezpečnú prevádzku náradia.

Doplnkové bezpečnostné pokyny pre prácu s elektrickým náradím



Varovanie! Doplnkové bezpečnostné pokyny pre vŕtačky a vŕtačky s príklepom

- ◆ **Pri vŕtaní s príklepom použite vhodnú ochranu sluchu.** Nadmerná hlučnosť môže spôsobiť stratu sluchu.
- ◆ **Používajte prídavné rukoväti dodávané s náradím.** Strata kontroly nad náradím môže viesť k úrazu.
- ◆ **Pri pracovných operáciách, pri ktorých by mohlo dôjsť ku kontaktu so skrytými vodičmi alebo s vlastným prívodným káblom, držte elektrické náradie vždy za izolované rukoväti.** Pri kontakte s vodičom pod prúdom sa nechránené kovové časti náradia stanú vodivé a obsluha tak utrpí zásah elektrickým prúdom.
- ◆ **Na zaistenie a upnutie obrobku k pracovnému stolu používajte svorky alebo iné vhodné prostriedky.** Držanie obrobku rukou alebo jeho pritlačenie k telu nezaistí jeho stabilitu a môže viesť k strate kontroly.
- ◆ **Pred vŕtaním otvorov do muriva, podláh alebo stropov najskôr skontrolujte polohu skrytých elektrických vedení a potrubí.**
- ◆ **Ihneď po ukončení vŕtania sa nedotýkajte hrotu vŕtáka - môže byť horúci.**
- ◆ **Použitie tohto výrobku je popísané v tomto návode. Použitie iného príslušenstva alebo prídavného zariadenia a vykonávanie iných pracovných operácií než je odporúčané v tomto návode, môže predstavovať riziko zranenia obsluhy alebo riziko hmotných škôd.**

Bezpečnosť ostatných osôb

- ◆ Tento prístroj nie je určený na použitie osobami (vrátane detí) so zníženými fyzickými, zmyslovými alebo duševnými schopnosťami, alebo s nedostatkom skúseností a znalostí, pokiaľ tieto osoby nepracujú pod dohľadom, alebo pokiaľ im neboli poskytnuté inštrukcie týkajúce sa použitia prístroja osobou zodpovednou za ich bezpečnosť.
- ◆ Deti by mali byť pod dozorom, aby sa s náradím nehrali.

Vibrácie

Deklarovaná úroveň vibrácií uvedená v technických údajoch a v prehlásení o zhode bola meraná v súlade so štandardnou skúšobnou metódou predpísanou normou EN 60745 a môže sa použiť na porovnávanie jednotlivých náradí medzi sebou. Deklarovaná úroveň vibrácií môže byť tiež použitá na predbežné stanovenie doby práce s týmto výrobkom.

Varovanie! Úroveň vibrácií pri aktuálnom použití elektrického náradia sa môže od deklarovanej úrovne vibrácií líšiť v závislosti od spôsobu použitia výrobku. Úroveň vibrácií môže byť oproti uvedenej hodnote vyššia.

Pri stanovení dĺžky vystavenia sa vibráciám z dôvodu určenia bezpečnostných opatrení podľa normy 2002/44/EC na ochranu osôb pravidelne používajúcich elektrické náradie v zamestnaní by mal predbežný odhad pôsobenia vibrácií brať do úvahy aktuálne podmienky použitia náradia s prihliadnutím na všetky časti pracovného cyklu, ako aj času, počas ktorého je náradie vypnuté a kedy beží naprázdno.

Štítky na náradí

Na stroji sú nasledovné piktogramy:



Varovanie! Z dôvodu zníženia rizika spôsobenia úrazu si užívateľ musí prečítať tento návod na použitie.

Elektrická bezpečnosť



Toto náradie je chránené dvojitoú izoláciou. Preto nie je nutné použitie zemniaceho vodiča. Vždy skontrolujte, či napätie v sieti zodpovedá napätiu na výkonovom štítku.

- ◆ Ak dôjde k poškodeniu prírodného kábla, musí sa vymeniť výrobcom alebo v autorizovanom servise Black & Decker, aby sa zabránilo spôsobeniu úrazu elektrickým prúdom.

Popis

1. Vypínač s reguláciou otáčok
2. Poistné tlačidlo
3. Prepínač pravej/ľavej chodu
4. Volič režimu vrtania
5. Skľučovadlo
6. Hĺbkový doraz (nie pri všetkých modeloch)
7. Bočná rukoväť (nie pri všetkých modeloch)

Obr. B

8. Zaisťovacie tlačidlo hnacieho hriadeľa (iba pri rýchloupevňovacom skľučovadle s jednou objímkou)

Nastavenie

Varovanie! Pred montážou sa uistite, či je náradie vypnuté a či je prírodný kábel odpojený zo zásuvky.

Upevnenie bočnej rukoväti a hĺbkového dorazu (obr. A a G)

- ◆ Otáčajte rukoväťou proti smeru pohybu hodinových ručičiek, pokiaľ nepôjde bočná rukoväť (7) nasunúť na prednú časť náradia ako je uvedené na obrázku.

- ◆ Otočte bočnú rukoväť do požadovanej polohy.
- ◆ Zasuňte hĺbkový doraz (6) do príslušného otvoru ako je uvedené na obrázku.
- ◆ Nastavte hĺbku vrtania podľa nižšie uvedeného postupu.
- ◆ Dotiahnite bočnú rukoväť otáčaním držadla v smere pohybu hodinových ručičiek.

Upínanie vrtáku

Rýchloupevňovacie skľučovadlo s jednou objímkou (obr. B)

- ◆ Otvorte skľučovadlo stlačením zaisťovacieho tlačidla hnacieho hriadeľa (8) a otáčaním objímky (9) proti smeru pohybu hodinových ručičiek.
- ◆ Vložte upínaciu stopku nástroja (12) do skľučovadla.
- ◆ Stlačením zaisťovacieho tlačidla hnacieho hriadeľa (8) a otáčaním objímky v smere pohybu hodinových ručičiek pevne dotiahnite skľučovadlo.

Rýchloupevňovacie skľučovadlo s dvoma objímkami (obr. C)

- ◆ Pri otváraní skľučovadla jednou rukou otáčajte jeho prednú časť (10) a druhou rukou pridržujte jeho zadnú časť (11).
- ◆ Vložte do skľučovadla upínaciu stopku pracovného nástroja (12) a skľučovadlo pevne dotiahnite.

Skľučovadlo s kľúčikom (obr. D)

- ◆ Otvorte skľučovadlo otáčaním objímky (13) proti smeru pohybu hodinových ručičiek.
- ◆ Vložte upínaciu stopku nástroja (12) do skľučovadla.
- ◆ Vložte kľúčik (14) do niektorého z bočných otvorov (15) na boku skľučovadla a otáčaním v smere pohybu hodinových ručičiek skľučovadlo pevne dotiahnite.

Vybratie a nasadenie skľučovadla (obr. E)

- ◆ Roztvorte čeluste skľučovadla čo najviac.
- ◆ Pomocou skrutkovača uvoľnite v smere pohybu hodinových ručičiek montážnu skrutku skľučovadla, ktorá je vo vnútri skľučovadla.
- ◆ Do skľučovadla upnite šesťhranný kľúč a udríte doňho kladivom tak, ako je znázornené na obrázku D.
- ◆ Vyberte kľúč zo skľučovadla.
- ◆ Otáčaním proti smeru pohybu hodinových ručičiek skľučovadlo vyskrutkujte.
- ◆ Ak chcete skľučovadlo znovu namontovať, naskrutkujte ho na hriadeľ a zaistite ho montážnou skrutkou.

Zvyškové riziká

Ak sa náradie používa iným spôsobom, než je uvedené v priložených bezpečnostných varovaniach, môžu sa objaviť dodatočné zvyškové riziká. Tieto riziká môžu vzniknúť v dôsledku nesprávneho použitia, dlhodobého použitia atď.

Napriek tomu, že sa dodržiavajú príslušné bezpečnostné predpisy a používajú sa bezpečnostné zariadenia, určité zvyškové riziká sa nemôžu vylúčiť.

Tieto riziká sú nasledujúce:

- ◆ Zranenia spôsobené kontaktom s akoukoľvek rotujúcou alebo pohybujúcou sa časťou.
- ◆ Zranenia spôsobené pri výmene dielov, pracovného nástroja alebo príslušenstva.
- ◆ Zranenia spôsobené dlhodobým použitím náradia. Ak používate akékoľvek náradie dlhší čas, zaistíte, aby sa robili pravidelné prestávky.
- ◆ Poškodenie sluchu.
- ◆ Zdravotné riziká spôsobené vdychovaním prachu vytváraného pri použití náradia (príklad: - práca s drevom, najmä s dubovým, bukovým a MDF).

Použitie

Varovanie! Nechajte náradie pracovať jeho vlastným tempom. Zamedzte preťažovaniu náradia.

Varovanie! Pred vŕtaním otvorov do muriva, podláh alebo stropov najskôr skontrolujte polohu skrytých elektrických vedení a potrubí.

Voľba smeru otáčania (obr. F)

Pri vŕtaní a dotahovaní skrutiek nastavte pravý chod (otáčanie v smere hodinových ručičiek). Pre povolenie skrutiek a uvoľňovanie zablokovaných nástrojov používajte otáčanie ľavý chod (proti smeru pohybu hodinových ručičiek).

- ◆ Ak chcete zvoliť smer otáčania dopredu, posuňte prepínač pravého /ľavého chodu (3) smerom doľava.
- ◆ Ak chcete zvoliť spätný chod, presuňte prepínač chodu smerom doprava.

Varovanie! Nikdy nemeňte smer otáčania za chodu motora.

Voľba režimu vŕtania

- ◆ Pri vŕtaní do muriva nastavte volič režimu vŕtania (4) do polohy označenej symbolom **T**.
- ◆ Pri vŕtaní do ostatných materiálov a pri skrutkovaní nastavte volič režimu do polohy označenej symbolom **1**.

Nastavenie hĺbky vŕtania (obr. G)

- ◆ Otáčaním proti smeru pohybu hodinových ručičiek uvoľnite bočnú rukoväť (7).
- ◆ Nastavte hĺbkový doraz (6) do požadovanej polohy. Maximálna hĺbka vŕtania zodpovedá

vzdialenosti medzi hrotom vrtáku a prednou časťou hĺbkového dorazu.

- ◆ Pritiahnite bočnú rukoväť otáčaním v smere pohybu hodinových ručičiek.

Zapnutie a vypnutie

- ◆ Ak chcete náradie zapnúť, stlačte hlavný vypínač s reguláciou otáčok (1). Otáčky náradia závisia na intenzite stlačenia tohto vypínača. Všeobecne používajte nižšie otáčky pre väčšie priemery vŕtákov a vyššie otáčky pre menšie priemery.
- ◆ Plynulý chod zvolíte stlačením zaisťovacieho tlačidla (2) a uvoľnením vypínača. Táto funkcia je k dispozícii iba pre maximálne otáčky pri pravom i ľavom chode.
- ◆ Ak chcete náradie vypnúť, uvoľnite vypínač s reguláciou otáčok. Ak chcete vypnúť náradie, ktoré pracuje v režime nepretržitého chodu, stlačte znovu vypínač s reguláciou otáčok a uvoľnite ho.

Príslušenstvo

Výkon Vášho náradia závisí od použitého príslušenstva. Príslušenstvo Black & Decker a Piranha je vyrobené podľa najprísnejších noriem a zvyšuje výkon Vášho náradia. Pomocou tohto príslušenstva dosiahnete s Vaším náradím tie najlepšie výsledky.

Údržba

Vaše náradie Black & Decker bolo skonštruované tak, aby pracovalo čo najdlhšie s minimálnymi nárokmi na údržbu. Pravidelná starostlivosť o náradie a jeho pravidelné čistenie Vám zaistia jeho bezproblémovú prevádzku.

Varovanie! Pred vykonávaním akejkoľvek údržby náradie vypnite a odpojte kábel od siete.

- ◆ Pravidelne čistite vetracie otvory náradia pomocou mäkkej kefy alebo suchej handričky.
- ◆ Pravidelne čistite kryt motora vlhkou handričkou. Nepoužívajte na čistenie abrazívne prostriedky ani rozpúšťadlá.
- ◆ Pravidelne otvárajte skľučovadlo a poklepaním odstráňte prach z vnútornej časti náradia.

Ochrana životného prostredia



Triedený odpad. Tento prístroj nesmie byť vyhodený do bežného domáceho odpadu.

Jedného dňa zistíte, že Váš výrobok Black & Decker musíte vymeniť alebo ho už nebudete ďalej používať. V tomto prípade myslíte na ochranu životného prostredia a nevyhadzujete prístroj do domáceho odpadu. Zlikvidujte tento výrobok v triedenom odpade.



Triedený odpad umožňuje recykláciu a opätovné využitie použitých výrobkov a obalových materiálov. Opätovné použitie recyklovaných materiálov pomáha chrániť životné prostredie pred znečistením a znižuje spotrebu surovín.

Pri zakúpení nových výrobkov Vám miestne zberne odpadov, recyklačné stanice alebo predajne poskytnú informácie o správnej likvidácii elektroodpadov z domácnosti.

Firma Black & Decker poskytuje službu bezplatnej recyklácie výrobkov Black & Decker a akumulátorov po skončení ich životnosti. Ak chcete získať výhody tejto služby, odovzdajte, prosím, Vaše náradie akémukoľvek autorizovanému zástupcovi servisu Black & Decker, ktorý náradie odoberie a zaistí jeho recykláciu.

Miesto Vášho najbližšieho autorizovaného servisu Black & Decker sa dozviete na adrese uvedenej na zadnej strane tohto návodu. Zoznam servisných stredísk Black & Decker a podrobnosti o popredajnom servise nájdete taktiež na internetovej adrese: **www.2helpU.com**

Technické údaje

	CD714RE TYP 2	CD714CRE TYP 2	CD714CRES TYP 2	KR604CRES TYP 2	KR654CRES TYP 2	KR714CRES TYP 2
Napätie	V 230	230	230	230	230	230
Prikon	W 710	710	710	600	650	710
Otáčky naprázdno	min ⁻¹ 0-2800	0-2800	0-2800	0-2800	0-2800	0-2800
Maximálny priemer vrtáku						
Oceľ/betón	mm 13	13	13	13	13	13
Drevo	mm 25	25	25	20	20	25
Hmotnosť	kg 2,0	2,0	2,0	2,0	2,0	2,0

Hladina akustického tlaku podľa normy EN 60745:
Akustický tlak (L_{pA}) 101 dB(A), odchýlka (K) 3 dB(A)
Akustický výkon (L_{WA}) 112 dB(A), odchýlka (K) 3 dB(A)

Celková úroveň vibrácií (priestorový vektorový súčet) podľa normy EN 60745:

Vrtanie s príklepom do betónu ($a_{h,IB}$) = 17,9 m/s², odchýlka (K) = 1,5 m/s²

vrtanie do kovu ($a_{h,D}$) = 3,37 m/s², odchýlka (K) = 1,5 m/s²

ES Vyhlásenie o zhode v rámci EÚ

NARIADENIE PRE STROJOVÉ ZARIADENIA



CD714RE, CD714CRE, CD714CRES,
KR604CRES, KR654CRES, KR714CRES

Spoločnosť Black & Decker prehlasuje, že produkty popísané v technických údajoch spĺňajú požiadavky nasledujúcich noriem: 2006/42/EC, EN60745-1, EN60745-2-1

Ak chcete získať ďalšie informácie, kontaktujte prosím spoločnosť Black & Decker na nasledujúcej adrese alebo na adresách, ktoré sú uvedené na konci tohto návodu.

Nižšie podpísaná osoba je zodpovedná za zostavenie technických údajov a vydáva toto prehlásenie v zastúpení spoločnosti Black & Decker.

Kevin Hewitt
Viceprezident pre spotrebiteľskú techniku
Black & Decker Europe, 210 Bath Road, Slough,
Berkshire, SL1 3YD
United Kingdom
01-04-2011

Záruka

Spoločnosť Black & Decker dôveruje kvalite svojho vlastného náradia a poskytuje kupujúcemu mimoriadnu záruku. Táto záruka je nadštandardná a v žiadnom prípade nepoškodzuje Vaše zákonné práva. Táto záruka platí vo všetkých členských štátoch EÚ a Európskej zóny voľného obchodu EFTA.

Ak sa na výrobku Black & Decker objavia, v priebehu 24 mesiacov od zakúpenia, akékoľvek materiálové či výrobné chyby, garantujeme, v snahe o minimalizovanie Vašich starostí, bezplatnú výmenu chybných dielcov, opravu alebo výmenu celého výrobku za nižšie uvedených podmienok:

- ♦ Výrobok nebol používaný na obchodné alebo profesionálne účely a nedochádzalo k jeho prenájmu.
- ♦ Výrobok nebol vystavený nesprávnemu použitiu a nebola zanedbaná jeho predpísaná údržba.
- ♦ Výrobok nebol poškodený cudzím zavinením.
- ♦ Neboli vykonávané opravy výrobku inými osobami než pracovníkmi značkového servisu Black & Decker.

Pri uplatňovaní reklamácie je nutné predajcovi alebo servisnému stredisku predložiť doklad o nákupe výrobku. Miesto Vašej najbližšej autorizovanej servisnej pobočky Black & Decker sa dozviete na príslušnej adrese uvedenej na zadnej strane tejto príručky. Zoznam autorizovaných servisov Black & Decker a podrobnosti o popredajnom servise nájdete tiež na internetovej adrese: www.2helpU.com

Navštívte našu internetovú adresu www.blackanddecker.sk a zaregistrujte si Váš výrobok Black & Decker. Budete tak mať neustále prehľad o nových výrobkoch a špeciálnych ponukách. Ďalšie informácie o značke Black & Decker a o našom výrobnom programe získate na internetovej adrese www.blackanddecker.sk

Назначение

Ваша дрель Black & Decker предназначена для сверления отверстий в древесине, металле, пластмассе, кирпичной кладке, а также для заворачивания саморезов. Данный инструмент предназначен только для бытового использования.

Правила безопасности

Общие правила безопасности при работе с электроинструментами



Внимание! Внимательно прочтите все инструкции по безопасности и руководство по эксплуатации. Несоблюдение всех перечисленных ниже инструкций может привести к поражению электрическим током, возникновению пожара и/или получению серьезной травмы.

Сохраните все инструкции по безопасности и руководство по эксплуатации для их дальнейшего использования. Термин „Электроинструмент“ во всех приведенных ниже указаниях относится к Вашему сетевому (с кабелем) электроинструменту или аккумуляторному (беспроводному) электроинструменту.

1. Безопасность рабочего места

- a. **Содержите рабочее место в чистоте и обеспечьте хорошее освещение.** Плохое освещение рабочего места может привести к несчастному случаю.
- b. **Не используйте электроинструменты, если есть опасность возгорания или взрыва, например, вблизи легко воспламеняющихся жидкостей, газов или пыли.** В процессе работы электроинструмент создает искровые разряды, которые могут воспламенить пыль или горючие пары.
- c. **Во время работы с электроинструментом не подпускайте близко детей или посторонних лиц.** Отвлечение внимания может вызвать у Вас потерю контроля над рабочим процессом.

2. Электробезопасность

- a. **Вилка кабеля электроинструмента должна соответствовать штепсельной розетке. Ни в коем случае не видоизменяйте вилку электрического кабеля. Не используйте соединительные штепсели-переходники, если в силовом кабеле электроинструмента есть провод зазем-**

ления. Использование оригинальной вилки кабеля и соответствующей ей штепсельной розетки уменьшает риск поражения электрическим током.

- b. **Во время работы с электроинструментом избегайте физического контакта с заземленными объектами, такими как трубопроводы, радиаторы отопления, электроплиты и холодильники.** Риск поражения электрическим током увеличивается, если Ваше тело заземлено.
 - c. **Не используйте электроинструмент под дождем или во влажной среде.** Попадание воды в электроинструмент увеличивает риск поражения электрическим током.
 - d. **Используйте электрический кабель в установленном режиме. Ни в коем случае не используйте кабель для переноски электроинструмента или для вытягивания его вилки из штепсельной розетки. Не подвергайте электрический кабель воздействию высоких температур и смазочных веществ; держите его в стороне от острых кромок и движущихся частей электроинструмента.** Поврежденный или запутанный кабель увеличивает риск поражения электрическим током.
 - e. **При работе с электроинструментом на открытом воздухе используйте удлинительный кабель, предназначенный для наружных работ.** Использование кабеля, пригодного для работы на открытом воздухе, снижает риск поражения электрическим током.
 - f. **При необходимости работы с электроинструментом во влажной среде используйте источник питания, оборудованный устройством защитного отключения (УЗО).** Использование УЗО снижает риск поражения электрическим током.
- #### 3. Личная безопасность
- a. **При работе с электроинструментами будьте внимательны, следите за тем, что Вы делаете, и руководствуйтесь здравым смыслом. Не используйте электроинструмент, если Вы устали, а также находясь под действием алкоголя или понижающих реакцию лекарственных препаратов и других средств.** Малейшая неосторожность при работе с электроинструментами может привести к серьезной травме.
 - b. **При работе используйте средства индивидуальной защиты. Всегда на-**

- давайте защитные очки. Своевременное использование защитного снаряжения, а именно: пылезащитной маски, ботинок на нескользящей подошве, защитного шлема или противозвонных наушников, значительно снизит риск получения травмы.
- c. **Не допускайте случайного запуска.** Перед тем, как подключить электроинструмент к сети и/или аккумулятору, поднять или перенести его, убедитесь, что выключатель находится в положении “выключено”. Не переносите электроинструмент с нажатой кнопкой выключателя и не подключайте к сетевой розетке электроинструмент, выключатель которого установлен в положение “включено”, это может привести к несчастному случаю.
 - d. **Перед включением электроинструмента снимите с него все регулировочные или гаечные ключи.** Регулировочный или гаечный ключ, оставленный закрепленным на вращающейся части электроинструмента, может стать причиной тяжелой травмы.
 - e. **Не допускайте перенапряжения.** Всегда твердо стойте на ногах, сохраняя равновесие. Это позволит Вам не потерять контроль при работе с электроинструментом в непредвиденной ситуации.
 - f. **Одевайтесь соответствующим образом.** Во время работы не надевайте свободную одежду или украшения. Следите за тем, чтобы Ваши волосы, одежда или перчатки находились в постоянном отдалении от движущихся частей инструмента. Свободная одежда, украшения или длинные волосы могут попасть в движущиеся части инструмента.
 - g. **Если электроинструмент снабжен устройством сбора и удаления пыли, убедитесь, что данное устройство подключено и используется надлежащим образом.** Использование устройства пылеудаления значительно снижает риск возникновения несчастного случая, связанного с запыленностью рабочего пространства.
4. **Использование электроинструментов и технический уход**
 - a. **Не перегружайте электроинструмент.** Используйте Ваш инструмент по назначению. Электроинструмент работает надежно и безопасно только при соблюдении параметров, указанных в его технических характеристиках.
 - b. **Не используйте электроинструмент, если его выключатель не устанавливается в положение включения или выключения.** Электроинструмент с неисправным выключателем представляет опасность и подлежит ремонту.
 - c. **Отключайте электроинструмент от сетевой розетки и/или извлекайте аккумуляторную батарею перед регулированием, заменой принадлежностей или при хранении электроинструмента.** Такие меры предосторожности снижают риск случайного включения электроинструмента.
 - d. **Храните неиспользуемые электроинструменты в недоступном для детей месте и не позволяйте лицам, не знакомым с электроинструментом или данными инструкциями, работать с электроинструментом.** Электроинструменты представляют опасность в руках неопытных пользователей.
 - e. **Регулярно проверяйте исправность электроинструмента.** Проверяйте точность совмещения и легкость перемещения подвижных частей, целостность деталей и любых других элементов электроинструмента, воздействующих на его работу. Не используйте неисправный электроинструмент, пока он не будет полностью отремонтирован. Большинство несчастных случаев являются следствием недостаточного технического ухода за электроинструментом.
 - f. **Следите за остротой заточки и чистотой режущих принадлежностей.** Принадлежности с острыми кромками позволяют избежать заклинивания и делают работу менее утомительной.
 - g. **Используйте электроинструмент, аксессуары и насадки в соответствии с данным Руководством и с учетом рабочих условий и характера будущей работы.** Использование электроинструмента не по назначению может создать опасную ситуацию.
 5. **Техническое обслуживание**
 - a. **Ремонт Вашего электроинструмента должен производиться только квалифицированными специалистами с использованием идентичных запасных частей.** Это обеспечит безопасность Вашего электроинструмента в дальнейшей эксплуатации.

Дополнительные меры безопасности при работе с электроинструментами



Внимание! Дополнительные меры безопасности при работе дрелями и ударными дрелями.

- ◆ При работе ударными дрелями всегда надевайте противозумные наушники. Воздействие шума может привести к потере слуха.
- ◆ При работе пользуйтесь дополнительными рукоятками, прилагающимися к инструменту. Потеря контроля над инструментом может привести к тяжелой травме.
- ◆ Держите электроинструмент за ручку с изолированной поверхностью, выполняя работы, когда режущие насадки могут соприкоснуться со скрытой проводкой или случайно перезать кабель питания самого инструмента. Это может привести к тому, что инструмент окажется под напряжением и приведет к электротравме оператора.
- ◆ Используйте тиски или другие приспособления для фиксации обрабатываемой детали, устанавливая их только на неподвижной поверхности. Если держать обрабатываемую деталь руками или с упором в собственное тело, то можно потерять контроль над инструментом или обрабатываемой деталью.
- ◆ Прежде чем сверлить отверстия в стенах, полах или потолках, проверьте наличие электропроводки и трубопроводов.
- ◆ Не дотрагивайтесь до наконечника сверла сразу же после окончания сверления, так как он может быть горячим.
- ◆ Назначение прибора описывается в данном руководстве по эксплуатации. Использование любых принадлежностей или приспособлений, а также выполнение данным инструментом любых видов работ, не рекомендованных данным руководством по эксплуатации, может привести к несчастному случаю и/или повреждению личного имущества.

Безопасность посторонних лиц

- ◆ Использование инструмента физически или умственно неполноценными людьми, а также детьми и неопытными лицами допускается только под контролем ответственного за их безопасность лица.

- ◆ Не позволяйте детям играть с электроинструментом.

Вибрация

Значения уровня вибрации, указанные в технических характеристиках инструмента и декларации соответствия, были измерены в соответствии со стандартным методом определения вибрационного воздействия согласно EN60745 и могут использоваться при сравнении характеристик различных инструментов. Приведенные значения уровня вибрации могут также использоваться для предварительной оценки величины вибрационного воздействия.

Внимание! Значения вибрационного воздействия при работе с электроинструментом зависят от вида работ, выполняемых данным инструментом, и могут отличаться от заявленных значений. Уровень вибрации может превышать заявленное значение.

При оценке степени вибрационного воздействия для определения необходимых защитных мер (2002/44/EC) для людей, использующих в процессе работы электроинструменты, необходимо принимать во внимание действительные условия использования электроинструмента, учитывая все составляющие рабочего цикла, в том числе время, когда инструмент находится в выключенном состоянии, и время, когда он работает без нагрузки, а также время его запуска и отключения.

Маркировка инструмента

На инструменте имеются следующие знаки:



Внимание! Полное ознакомление с руководством по эксплуатации снизит риск получения травмы.

Электробезопасность



Данный электроинструмент защищен двойной изоляцией, исключающей потребность в заземляющем проводе. Следите за напряжением электрической сети, оно должно соответствовать величине, обозначенной на информационной табличке электроинструмента.

- ◆ Во избежание несчастного случая, замена поврежденного кабеля питания должна производиться только на заводе-изготовителе или в авторизованном сервисном центре Black & Decker.

Составные части

1. Клавиша пускового выключателя с регуляцией скорости
2. Кнопка блокировки пускового выключателя
3. Переключатель направления вращения (реверса)
4. Переключатель режимов сверления
5. Зажимной патрон
6. Ограничитель глубины сверления (не во всех моделях)
7. Боковая рукоятка (не во всех моделях)

Рис. В

8. Кнопка ручной блокировки шпинделя (только в моделях с быстрозажимным патроном)

Сборка

Внимание! Перед началом сборки убедитесь, что электроинструмент выключен и отсоединен от электросети.

Установка боковой рукоятки и ограничителя глубины сверления (Рис. А и G)

- ◆ Поворачивайте ручку в направлении против часовой стрелки до тех пор, пока боковая рукоятка (7) не надвинется на свое посадочное место на корпусе электроинструмента, как показано на рисунке.
- ◆ Повернув боковую рукоятку, установите ее в необходимое положение.
- ◆ Вставьте ограничитель глубины сверления (6) в крепежное отверстие, как показано на рисунке.
- ◆ Установите глубину сверления, как описано ниже.
- ◆ Затяните боковую рукоятку, поворачивая ее ручку в направлении по часовой стрелке.

Установка сверла или насадки-отвертки

Быстрозажимной патрон (Рис. В)

- ◆ Откройте патрон, нажав на кнопку ручной блокировки шпинделя (8) и вращая зажимное кольцо (9) в направлении против часовой стрелки.
- ◆ Вставьте в патрон хвостовик насадки (12).
- ◆ Затяните патрон, нажав на кнопку ручной блокировки шпинделя (8) и вращая зажимное кольцо в направлении по часовой стрелке до упора.

Быстрозажимной патрон с двумя зажимными кольцами (Рис. С)

- ◆ Раскройте патрон, одной рукой поворачивая его переднюю часть (10), а другой придер-

живая заднюю часть (11). Вставьте в патрон хвостовик насадки (12) и надежно затяните патрон.

Ключевой зажимной патрон (Рис. D)

- ◆ Раскройте зажимной патрон, вращая зажимное кольцо (13) в направлении против часовой стрелки.
- ◆ Вставьте в патрон хвостовик насадки (12).
- ◆ Вставьте ключ (14) в каждое из трех отверстий (15), расположенных на боковой части зажимного патрона, и затяните патрон, поворачивая ключ в направлении по часовой стрелке.

Снятие и установка зажимного патрона (Рис. E)

- ◆ Максимально раскройте зажимной патрон.
- ◆ Выньте стопорный винт, находящийся в патроне, открутив его по часовой стрелке с помощью отвертки.
- ◆ Зажмите в патроне ключ-шестигранник и ударьте по нему молотком, как показано на рисунке.
- ◆ Выньте ключ.
- ◆ Снимите зажимной патрон, поворачивая его в направлении против часовой стрелки.
- ◆ Чтобы установить патрон, привинтите его на шпиндель и закрепите с помощью стопорного винта.

Остаточные риски

При работе с данным инструментом возможно возникновение дополнительных остаточных рисков, которые не вошли в описанные здесь правила техники безопасности. Эти риски могут возникнуть при неправильном или продолжительном использовании изделия и т.п. Несмотря на соблюдение соответствующих инструкций по технике безопасности и использование предохранительных устройств, некоторые остаточные риски невозможно полностью исключить. К ним относятся:

- ◆ Травмы в результате касания вращающихся/двигающихся частей инструмента.
- ◆ Риск получения травмы во время смены деталей электроинструмента, пильных дисков или насадок.
- ◆ Риск получения травмы, связанный с продолжительным использованием инструмента. При использовании инструмента в течение продолжительного периода времени делайте регулярные перерывы в работе.
- ◆ Ухудшение слуха.
- ◆ Ущерб здоровью в результате вдыхания пыли в процессе работы с электроинстру-

ментом (например, при распиле древесины, в особенности, дуба, бука и ДВП).

Эксплуатация

Внимание! Не форсируйте рабочий процесс. Избегайте перегрузки электроинструмента.

Внимание! Прежде чем сверлить отверстия в стенах, полах или потолках, проверьте наличие электропроводки и трубопроводов.

Выбор направления вращения (Рис. F)

Выполняйте сверление и заворачивание саморезов, установив направление вращения вперед (по часовой стрелке). Для выкручивания саморезов или извлечения заклинившего сверла, устанавливайте реверс (вращение против часовой стрелки).

- ◆ Для установки вращения вперед переместите переключатель направления вращения (3) влево.
- ◆ Для установки реверса сдвиньте переключатель направления вращения вправо.

Внимание! Ни в коем случае не изменяйте направление вращения при работающем электродвигателе!

Выбор режима работы

- ◆ Для сверления в кирпичной кладке установите переключатель режимов сверления (4) в позицию **T**.
- ◆ Для сверления других материалов, а также для заворачивания саморезов установите переключатель режимов сверления в позицию **1**.

Установка глубины сверления (Рис. G)

- ◆ Ослабьте боковую рукоятку (7), поворачивая ее ручку в направлении против часовой стрелки.
- ◆ Установите ограничитель глубины сверления (6) на необходимую глубину. Максимальная глубина сверления равна расстоянию между острием сверла и передним торцом ограничителя глубины сверления.
- ◆ Затяните боковую рукоятку, поворачивая ее ручку в направлении по часовой стрелке.

Включение и выключение

- ◆ Чтобы включить инструмент, нажмите на клавишу пускового выключателя с регулировкой скорости (1). Скорость инструмента зависит от глубины нажатия клавиши выключателя. Принято использовать малые частоты вращения для сверл большого диаметра и, соответственно, большие частоты вращения для сверл малого диаметра.

- ◆ Для непрерывного режима работы нажмите кнопку блокировки пускового выключателя (2) и отпустите клавишу пускового выключателя. Эта функция работает только при максимальной частоте вращения в любом направлении.
- ◆ Чтобы выключить инструмент, отпустите клавишу пускового выключателя. Для выключения непрерывного режима работы инструмента снова нажмите и отпустите клавишу пускового выключателя.

Дополнительные принадлежности

Производительность Вашего электроинструмента напрямую зависит от используемых принадлежностей. Принадлежности Black & Decker и Piranha изготовлены в соответствии с самыми высокими стандартами качества и способны увеличить производительность Вашего электроинструмента. Используя эти принадлежности, Вы достигнете наилучших результатов в работе.

Техническое обслуживание

Ваш инструмент Black & Decker рассчитан на работу в течение продолжительного времени при минимальном техническом обслуживании. Срок службы и надежность инструмента увеличивается при правильном уходе и регулярной чистке.

Внимание! Перед любыми видами работ по техническому обслуживанию выключайте инструмент и отключайте его от источника питания.

- ◆ Регулярно очищайте вентиляционные отверстия Вашего инструмента мягкой щеткой или сухой тканью.
- ◆ Регулярно очищайте корпус двигателя влажной тканью. Не используйте абразивные чистящие средства, а также чистящие средства на основе растворителей.
- ◆ Регулярно раскрывайте патрон (при наличии) и вытряхивайте из него всю накопившуюся пыль.

Защита окружающей среды



Раздельный сбор. Данное изделие нельзя утилизировать вместе с обычными бытовыми отходами.

Если однажды Вы захотите заменить Ваш электроинструмент Black & Decker или Вы больше в нем не нуждаетесь, не выбрасывайте его вместе с бытовыми отходами. Отнесите изделие в специальный приемный пункт.



Раздельный сбор изделий с истекшим сроком службы и их упаковок позволяет пускать их в переработку и повторно использовать. Использование переработанных материалов помогает защищать окружающую среду от загрязнения и снижает расход сырьевых материалов.

Местное законодательство может обеспечить сбор старых электроинструментов отдельно от бытового мусора на муниципальных свалках отходов, или Вы можете сдавать их в торговом предприятии при покупке нового изделия.

Фирма Black & Decker обеспечивает прием и переработку отслуживших свой срок изделий Black & Decker. Чтобы воспользоваться этой услугой, Вы можете сдать Ваше изделие в любой авторизованный сервисный центр, который собирает их по нашему поручению.

Вы можете узнать место нахождения Вашего ближайшего авторизованного сервисного центра, обратившись в Ваш местный офис Black & Decker по адресу, указанному в данном руководстве по эксплуатации. Кроме того, список авторизованных сервисных центров Black & Decker и полную информацию о нашем послепродажном обслуживании и контактах Вы можете найти в интернете по адресу: **www.2helpU.com**.

Технические характеристики

	CD714RE ТИП 2	CD714CRE ТИП 2	CD714CRES ТИП 2	KR604CRES ТИП 2	KR654CRES ТИП 2	KR714CRES ТИП 2
Напряжение питания	В перем. тока	230	230	230	230	230
Потребляемая мощность	Вт	710	710	600	650	710
Число оборотов х. х	об/мин.	0-2800	0-2800	0-2800	0-2800	0-2800
Максимальный диаметр сверления:						
Металл/бетон	мм	13	13	13	13	13
Дерево	мм	25	25	20	20	25
Вес	кг	2.0	2.0	2.0	2.0	2.0

Уровень звукового давления в соответствии с EN 60745:

Звуковое давление (L_{pA}) 101 дБ(А), погрешность (К) 3 дБ(А)

Акустическая мощность (L_{WA}) 112 дБ(А), погрешность (К) 3 дБ(А)

Суммарная вибрация (по трем осям) в соответствии с EN 60745:

Сверление с ударом в бетоне ($a_{n,D}$) = 17.9 м/с², погрешность (К) = 1.5 м/с²

Сверление в металле ($a_{n,D}$) = 3.37 м/с², погрешность (К) = 1.5 м/с²

Декларация соответствия ЕС

ДИРЕКТИВА ПО МЕХАНИЧЕСКОМУ ОБОРУДОВАНИЮ

**CD714RE, CD714CRE, CD714CRES,
KR604CRES, KR654CRES, KR714CRES**

Black & Decker заявляет, что продукты, обозначенные в разделе «Технические характеристики», полностью соответствуют стандартам: 2006/42/ЕС, EN60745-1, EN60745-2-1

За дополнительной информацией обращайтесь по указанному ниже адресу или по адресу, указанному на последней странице руководства.

Нижеподписавшееся лицо полностью отвечает за соответствие технических данных и делает это заявление от имени фирмы Black & Decker.



Кевин Хьюитт (Kevin Hewitt)

Вице-президент отдела мирового проектирования

Black & Decker Europe, 210 Bath Road, Slough,

Berkshire, SL1 3YD

United Kingdom

01-04-2011

БЛЭК ЭНД ДЕККЕР

гарантийные условия

Уважаемый покупатель!

1. Поздравляем Вас с покупкой высококачественного изделия BLACK & DECKER и выражаем признательность за Ваш выбор.
- 1.1. Надежная работа данного изделия в течение всего срока эксплуатации - предмет особой заботы наших сервисных служб. В случае возникновения каких-либо проблем в процессе эксплуатации изделия рекомендуем Вам обращаться только в авторизованные сервисные организации, адреса и телефоны которых Вы сможете найти в Гарантийном талоне или узнать в магазине. Наши сервисные станции - это не только квалифицированный ремонт, но и широкий выбор запчастей и принадлежностей.
- 1.2. При покупке изделия требуйте проверки его комплектности и исправности в Вашем присутствии, инструкцию по эксплуатации и заполненный Гарантийный талон на русском языке. При отсутствии у Вас правильно заполненного Гарантийного талона мы будем вынуждены отклонить Ваши претензии по качеству данного изделия.
- 1.3. Во избежание недоразумений убедительно просим Вас перед началом работы с изделием внимательно ознакомиться с инструкцией по его эксплуатации.
- 1.4. Обращаем Ваше внимание на исключительно бытовое назначение данного изделия.
2. Правовой основой настоящих гарантийных условий является действующее Законодательство и, в частности, Закон "О защите прав потребителей".
3. Гарантийный срок на данное изделие составляет 24 месяца и исчисляется со дня продажи через розничную торговую сеть. В случае устранения недостатков изделия, гарантийный срок продлевается на период, в течение которого оно не использовалось.
4. Срок службы изделия - 5 лет (минимальный, установленный в соответствии с Законом "О защите прав потребителей").
5. Наши гарантийные обязательства распространяются только на неисправности, выявленные в течение гарантийного срока и обусловленные производственными и конструктивными факторами.
6. Гарантийные обязательства не распространяются:
 - 6.1. На неисправности изделия, возникшие в результате:
 - 6.1.1. Несоблюдения пользователем предписаний инструкции по эксплуатации изделия.
 - 6.1.2. Механического повреждения, вызванного внешним ударным или любым иным воздействием.
 - 6.1.3. Использования изделия в профессиональных целях и объемах, в коммерческих целях.
 - 6.1.4. Применения изделия не по назначению.
 - 6.1.5. Стихийного бедствия.
 - 6.1.6. Неблагоприятных атмосферных и иных внешних воздействий на изделие, таких как дождь, снег, повышенная влажность, нагрев, агрессивные среды, несоответствие параметров питающей электросети указанным на инструменте.
 - 6.1.7. Использования принадлежностей, расходных материалов и запчастей, не рекомендованных или не одобренных производителем.
 - 6.1.8. Проникновения внутрь изделия посторонних предметов, насекомых, материалов или веществ, не являющихся отходами, сопровождающими применение по назначению, такими как стружка опилки и пр. .
 - 6.2. На инструменты, подвергавшиеся вскрытию, ремонту или модификации вне уполномоченной сервисной станции.
 - 6.3. На принадлежности, запчасти, вышедшие из строя вследствие нормального износа, и расходные материалы, такие как приводные ремни, угольные щетки, аккумуляторные батареи, ножи, пилки, абразивы, пыльные диски, сверла, буры и т. п. .
 - 6.4. На неисправности, возникшие в результате перегрузки инструмента, повлекшей выход из строя электродвигателя или других узлов и деталей. К безусловным признакам перегрузки изделия относятся, помимо прочих: появление цветов побежалости, деформация или оплавление деталей и узлов изделия, потемнение или обугливание изоляции проводов электродвигателя под воздействием высокой температуры.

Область застосування

Ваш дріль виробництва компанії Black & Decker був розроблений для свердління деревини, металу, пластику та цегли, а також для використання в якості викрутки. Цей інструмент призначений лише для побутового використання.

Інструкції з техніки безпеки

Загальні правила безпеки для електричного інструменту



Попередження! Перед використанням інструменту уважно прочитайте всі попередження та інструкції. Невиконання всіх інструкцій, що наведені нижче, може призвести до ураження електричним струмом, пожежі та/або серйозних травм.

Зберігайте це керівництво для отримання інформації в подальшому. Термін "електричний інструмент" в усіх попередженнях, перерахованих нижче, стосується використовуваних вами інструментів, що працюють від мережі енергоспоживання або акумуляторів.

1. Безпека на робочому місці

- a. **Тримайте робочу зону чистою та добре освітленою.** Неупорядковані та темні робочі зони збільшують ймовірність нещасного випадку.
- b. **Не використовуйте електричні інструменти у вибухонебезпечній атмосфері, наприклад, в присутності вогненебезпечних рідин, газів та пилу.** Електричні інструменти створюють іскри, що можуть запалити пил або випаровування.
- c. **Тримайте дітей та сторонніх подалі під час використання інструменту.** Відволікання уваги під час роботи може призвести до втрати контролю.

2. Електрична безпека

- a. **Вилка електричного інструменту має відповідати розетці. Ніколи ніяким чином не змінюйте вилку. Не використовуйте адаптерів з заземленими електричними інструментами.** Немодифіковані вилки та розетки, що підходять до них, зменшують ризик ураження електричним струмом.
- b. **Уникайте контакту тіла з заземленими поверхнями, такими як труби, радіатори, плити та холодильники.** Якщо ваше тіло заземлене, ризик ураження електричним струмом збільшується.

- c. **Не залишайте електричні інструменти під дощем або в умовах підвищеної вологості.** Вода, що потрапляє в електричний інструмент, підвищує ризик ураження електричним струмом.
- d. **Не використовуйте шнур не за призначенням. Ніколи не використовуйте шнур для переносу, витягнення або відключення електричного інструменту.** Тримайте шнур подалі від високих температур, мастила, гострих предметів та рухомих деталей. Ушкоджений або заплутаний шнур підвищує ризик ураження електричним струмом.
- e. **При використанні електричного інструменту на вулиці, використовуйте подовжувачий шнур, що підходить для використання на вулиці.** Використання шнура, що підходить для вулиці, знижує ризик ураження електричним струмом.
- f. **Якщо неможливо уникнути використання електричного інструменту в умовах підвищеної вологості, використовуйте живлення, захищене пристроєм залишкового струму (RCD).** Використання RCD знижує ризик ураження електричним струмом.

3. Особиста безпека

- a. **Будьте в стані готовності, дивіться, що ви робите, та використовуйте загальний глузд, коли ви працюєте з електричним інструментом. Не використовуйте електричний інструмент, коли ви втомлені або знаходитесь під впливом наркотичних речовин, алкоголю або ліків.** Втрата уваги при роботі з електричними інструментами може призвести до серйозних травм.
- b. **Використовуйте особисті засоби безпеки. Завжди використовуйте засоби захисту очей.** Засоби безпеки, такі як протипилова маска, неслизькі безпечні чоботи, твердий капелюх та засоби захисту слухового апарату, які використані для відповідних умов, зменшують ймовірність особистих травм.
- c. **Уникнення випадкового запуску. Переконайтеся, що вмикач знаходиться в позиції "Вимкнено" перед тим, як вмикати інструмент в мережу живлення або підключати його до акумулятора та переносити інструмент.** Перенос електричних інструментів, не відпускаючи пальця з вмикача, або ввімкнення електричного інструменту з перемикачем в позиції "Вімкнено" може призвести до нещасного випадку.

- d. Зніміть всі налаштувальні ключі або гайкові ключі перед тим, як вмикати електричний інструмент. Гайковий ключ, що залишився прикріпленим до якоїсь деталі електричного пристрою, що обертається, може призвести до травм.
- e. **Не перенапружуйтеся.** Завжди підтримуйте правильну постановку ніг та рівновагу. Це дозволяє тримати електричний інструмент під кращим контролем в несподіваних ситуаціях.
- f. **Вдягайтеся відповідним чином. Не вдягайте вільний одяг чи прикраси.** Тримайте ваше волосся, одяг та рукавички подалі від рухомих деталей. Вільний одяг, прикраси або довге волосся може зачепитися за рухомі деталі.
- g. **Якщо передбачені пристрої для підключення до засобів виділення та збирання пилу, переконайтеся, що вони правильно підключені та використовуються.** Використання таких пристроїв зменшує ризик виникнення небезпечних ситуацій, що пов'язані з потраплянням пилу.
- 4. **Використання та догляд за електричним інструментом**
 - a. **Не використовуйте надмірні зусилля при роботі з інструментом.** Використовуйте відповідний електричний інструмент для вашої задачі. Не використовуйте надмірні зусилля при роботі з електричним інструментом.
 - b. **Не використовуйте електричний інструмент, вмикач якого не вмикає та не вимикає його.** Будь-який електричний інструмент, який не може управлятися вмикачем, є небезпечним і має бути відремонтований.
 - c. **Відключіть вилку від джерела живлення та/або витягніть акумулятор перед тим, як робити будь-які налаштування, зміни додаткового обладнання, чи зберігання інструменту.** Ці профілактичні заходи зменшують ризик випадкового запуску електричного інструменту.
 - d. **Бережіть вимкнені електричні інструменти від дітей та не дозволяйте особам, що не знайомі з електричним інструментом або цими інструкціями використовувати електричний інструмент.** Електричні інструменти є небезпечними, якщо вони використовуються некваліфікованими користувачами.
 - e. **Технічне обслуговування електричних інструментів.** Перевіряйте на відсутність

вирівнювання або заїдання рухомих деталей, ушкоджених частин та інших умов, що можуть впливати на роботу електричного інструменту. Якщо є ушкодження, відремонтуйте механізований інструмент перед використанням. Багато нещасних випадків є результатом того, що інструмент не пройшов відповідного технічного обслуговування.

- f. **Тримайте ріжучі інструменти гострими та чистими.** Правильно доглянуті ріжучі інструменти з гострими ріжучими кромками мають меншу ймовірність заїдання, та ними легше керувати.
- g. **Використовуйте електричний інструмент, додаткові інструменти та деталі інструменту тощо у відповідності до цих інструкцій та відповідно до даного типу електричних інструментів, зважаючи на умови використання та роботу, яка має бути виконана.** Використання електричних інструментів не за призначенням може призвести до виникнення небезпечних ситуацій.

5. Обслуговування

- a. **Надавайте ваш електричний інструмент для обслуговування кваліфікованим спеціалістом з ремонту та використовуйте тільки ідентичні замінні деталі.** Це забезпечить безпеку електричного пристрою, що обслуговується.

Додаткові правила безпеки для електричного інструменту



Попередження! Додаткові попередження з техніки безпеки для дрилі та ударної дрилі

- ◆ **Використовуйте засоби захисту органів слуху при роботі з ударним дрилем.** Шум може викликати втрату слуху.
- ◆ **Використовуйте додаткові ручки, що надаються з інструментом.** Втрата контролю над інструментом може викликати травми.
- ◆ **Тримайте електричний інструмент за ізольовану поверхню для тримання при виконанні операцій, під час яких може виникнути контакт ріжучих елементів з прихованими проводами або власним шнуром.** Ріжучі аксесуари при контакті з проводкою під напругою можуть передати напругу на відкриті металеві деталі інструменту та вдарити оператора струмом.
- ◆ **Використовуйте затискач або інший спосіб закріплення деталі, що оброблюється,**

на стабільній платформі. Утримування заготовки в руках або притискання її до тіла робить положення заготовки нестійким та може призвести до втрати контролю.

- ◆ Перед свердлінням стін, підлоги та стелі переконайтесь, що в цьому місці не розташована електрична проводка та труби.
- ◆ Уникайте контакту з кінцем свердла відразу після свердління, тому що він може бути гарячим.
- ◆ Використання за призначенням описане в цьому керівництві. Використання аксесуарів або приладдя, або виконання будь-яких дій з інструментом, що суперечать рекомендаціям цього керівництва, може призвести до ризику травмування людини та/або пошкодження майна.

Безпека сторонніх людей

- ◆ Цей інструмент не призначений для використання людьми (включаючи дітей) з недостатніми фізичними, сенсорними або розумовими можливостями, або з недостатнім досвідом або знаннями, за винятком ситуацій, коли вони працюють під контролем або отримали відповідні інструкції щодо використання пристрою від відповідального за їх безпеку.
- ◆ Діти повинні знаходитись під контролем, щоб гарантувати, що вони не будуть грати з пристроєм.

Вібрація

Значення вібрації, вказані в технічних даних та в декларації про відповідність виміряні з дотриманням стандартних методів тестування, наданих в EN 60745, та їх можна використовувати для порівняння одного інструменту з іншим. Задекларовані значення вібрації можна також використовувати для попередньої оцінки впливу вібрації.

Попередження! Значення вібрації під час використання інструменту може відрізнятися від задекларованого в залежності від способів використання інструменту. Рівень вібрації може перевищувати вказані значення.

При оцінці впливу вібрації для визначення заходів безпеки за вимогами 2002/44/ЕС, щоб захистити людей, що регулярно використовують інструменти в роботі, необхідно враховувати реальні умови та способи використання інструменту, включаючи врахування всіх періодів робочого циклу, наприклад, часу, коли інстру-

мент вимкнено та коли він знаходиться в режимі очікування, а також часу реальної роботи інструменту.

Наклейки на інструментах

На інструменті є наступні піктограми:



Попередження! Щоб зменшити ризик травм, користувач повинен прочитати керівництво з експлуатації.

Електрична безпека



Цей інструмент має подвійну ізоляцію; тому заземлення не є необхідним. Завжди перевіряйте, що джерело живлення відповідає напрузі, що вказана на табличці з паспортними даними.

- ◆ Якщо шнур живлення пошкоджений, його необхідно замінити у виробника або в офіційному сервісному центрі Black & Decker для уникнення небезпечних ситуацій.

Деталі

1. Перемикач змінної швидкості
2. Кнопка блокування
3. Кнопка реверсу
4. Вибір режиму свердління
5. Затискний патрон
6. Обмежувач глибини (не в усіх моделях)
7. Бокова ручка (не в усіх моделях)

мал. В

8. Кнопка ручного блокування шпинделя (лише для патронів з одним затискачем, що не вимагають ключа)

Зборка

Попередження! Перед зборкою переконайтесь, що інструмент вимкнено та вилка витягнута з розетки.

Установка бокової ручки та обмежувача глибини (мал. А і G)

- ◆ Поверніть затискач проти годинникової стрілки так, щоб бокова ручка (7) була встановлена на передню частину інструменту.
- ◆ Поверніть бокову ручку в необхідну позицію.
- ◆ Встановіть обмежувач глибини (6) в монтажний отвір, як показано на рисунку.
- ◆ Встановіть глибину свердління, як описано нижче.
- ◆ Затягніть бокову ручку, повернувши затискач за годинниковою стрілкою.

Встановлення біт

Патрон без ключа з одним затискачем (мал. В)

- ◆ Відкрийте патрон, натиснувши на кнопку ручного блокування шпинделя (8) та повертаючи затискач (9) проти годинникової стрілки.
- ◆ Вставте шпindel (12) в затискний патрон.
- ◆ Міцно затягніть патрон, натиснувши на кнопку ручного блокування шпинделя (8) та повертаючи затискач за годинниковою стрілкою.

Патрон з двома затискачами без ключа (мал. С)

- ◆ Відкрийте патрон, повертаючи передню частину (10) однією рукою та утримуючи задню частину (11) другою рукою.
- ◆ Вставте хвостовик біти (12) в патрон та добре затягніть.

Затискний патрон з ключем (мал. D)

- ◆ Відкрийте затискний патрон, повертаючи втулку (13) за годинниковою стрілкою.
- ◆ Вставте шпindel (12) в затискний патрон.
- ◆ Вставте ключ патрона (14) в кожний отвір (15) з бокової сторони патрону та повертайте за годинниковою стрілкою, доки він не буде добре затиснений.

Зняття та установка затискного патрона (мал. E)

- ◆ Відкрийте патрон, як можна ширше.
- ◆ Зніміть стопорний гвинт патрона, розташований в патроні, повертаючи його за годинниковою стрілкою за допомогою викрутки.
- ◆ Закріпіть торцевий ключ в затискному патроні та вдарте по ньому молотком, як показано.
- ◆ Зніміть торцевий ключ.
- ◆ Зніміть патрон, повернувши його проти годинникової стрілки.
- ◆ Щоб знов встановити патрон, прикріпіть його до шпинделя та закріпіть за допомогою стопорного гвинта патрону.

Залишкові ризики

Додаткові залишкові ризики можуть виникнути при використанні інструменту, який не включено до наведених попереджень з техніки безпеки. Ці ризики можуть виникнути через невірне використання, тривале використання, тощо. Незважаючи на виконання всіх відповідних правил техніки безпеки та використання пристроїв безпеки, неможливо уникнути деяких

залишкових ризиків. Сюди належать:

- ◆ Травми через контакт з деталями, що рухаються/обертаються.
- ◆ Травми при заміні деталей, пильних полотен або аксесуарів.
- ◆ Травми через занадто тривале використання інструменту. При використанні будь-якого інструменту протягом тривалого періоду часу не забувайте робити регулярні перерви.
- ◆ Пошкодження слуху.
- ◆ Небезпека для здоров'я через вдихання пилу, що утворюється при використанні інструменту (наприклад, при роботі з деревом, особливо з дубом, березою та ДВП).

Використання

Попередження! Інструмент повинен працювати зі своєю швидкістю. Не перевантажуйте його.

Попередження! Перед свердлінням стін, підлоги та стелі переконайтесь, що в цьому місці не розташована електрична проводка та труби.

Вибір напрямку обертання (мал. F)

Для свердління та закручування шурупів використовуйте обертання вперед (за годинниковою стрілкою). Для відкручування гвинтів та видалення затиснених біт використовуйте зворотне (проти годинникової стрілки) обертання.

- ◆ Щоб обрати обертання вперед, натисніть на кнопку реверсу (3) ліво.
- ◆ Щоб обрати обертання назад, натисніть на кнопку реверсу праворуч.

Попередження! Ніколи не змінюйте напрямку обертання, коли мотор працює.

Вибір режиму свердління

- ◆ При використанні функції свердління в цеглі встановіть селектор вибору режиму свердління (4) в позицію **T**.
- ◆ Для свердління в інших матеріалах та для використання функції шурупокрута встановіть селектор вибору режимів в позицію **1**.

Встановлення глибини свердління (мал. G)

- ◆ Звільніть бокову ручку (7), повертаючи тримач проти годинникової стрілки.
- ◆ Встановіть обмежувач глибини (6) на необхідну позицію. Максимальна глибина свердління дорівнює відстані між кінцем свердла та переднім краєм обмежувача глибини.
- ◆ Затягніть бокову ручку, повернувши затискач за годинниковою стрілкою.

Вмикання та вимикання

- ◆ Щоб ввімкнути інструмент, натисніть на

перемикач змінної швидкості (1). Швидкість інструменту залежить від того, наскільки сильно ви натиснете на перемикач. Загальним правилом є використання невеликих швидкостей для свердління за допомогою свердел великих діаметрів та використання більших швидкостей для свердління за допомогою свердел менших діаметрів.

- ◆ Для безперервної роботи натисніть на кнопку блокування (2) та відпустіть перемикач змінної швидкості. Ця функція доступна лише при повній швидкості в прямому та зворотному режимах.
- ◆ Щоб вимкнути інструмент, відпустіть перемикач змінної швидкості. Щоб вимкнути інструмент при безперервній роботі, натисніть на перемикач змінної швидкості знов та відпустіть його.

Витратні матеріали

Продуктивність роботи інструменту залежить від витратних матеріалів, які ви використовуєте. Витратні матеріали виробництва фірм Black & Decker та Piranha розроблені з дотриманням високих стандартів якості та створені для підвищення ефективності використання вашого інструменту. Використовуючи ці аксесуари, ви отримаєте максимальну ефективність від вашого інструменту.

Технічне обслуговування

Ваш інструмент виробництва компанії Black & Decker призначений для роботи протягом довгого часу з мінімальним обслуговуванням. Постійна задовільна робота залежить від правильного догляду за інструментом та регулярної очистки.

Попередження! Перед проведенням технічного обслуговування, вимкніть інструмент та від'єднайте його від розетки.

- ◆ Регулярно очищуйте вентиляційні отвори інструменту, використовуючи м'яку щітку чи суху ганчірку.
- ◆ Регулярно очищуйте корпус мотору вологою ганчіркою. Не використовуйте абразивні засоби та очищаючі засоби, що містять розчинники.
- ◆ Регулярно відкривайте затискний патрон та струшуйте його, щоб видалити пил з середини (якщо патрон наявний).

Захист навколишнього середовища



Окреме збирання. Цей продукт не можна викидати разом зі звичайним побутовим сміттям.

Якщо якимось ви вирішите, що ваш виріб фірми Black & Decker має бути замінено, або він Вам більше не потрібний, не викидайте його на смітник побутового сміття. Зробіть цей виріб доступним для спеціального збору.



Окремий збір використаних виробів та упаковки дозволяє повторно переробляти та використовувати матеріали. Переробка повторно використуваних матеріалів допомагає попередити забруднення навколишнього середовища та зменшує потребу в сировині.

Місцеві законодавчі акти можуть передбачати окремий збір електричного обладнання в муніципальних місцях для збору сміття або продавцями при покупці нового обладнання.

Компанія Black & Decker має можливість для збору та переробки продуктів власного виробництва після закінчення їхнього терміну служби. Щоб скористатися цією послугою, поверніть виріб компанії в офіційний сервісний центр, які збирають відпрацьовані продукти за наш рахунок.

Ви можете знайти місцезнаходження найближчого до Вас сервісного центру, зв'язавшись з місцевим офісом компанії Black & Decker за адресою, вказаною в цих інструкціях. Крім того, список офіційних сервісних центрів компанії Black & Decker з усіма подробицями нашого післяпродажного обслуговування та контактною інформацією міститься в Інтернеті за адресою: www.2helpU.com.

Технічні дані

	CD714RE ТИП 2	CD714CRE ТИП 2	CD714CRES ТИП 2	KR604CRES ТИП 2	KR654CRES ТИП 2	KR714CRES ТИП 2
Вхідна напруга	Вас 230	230	230	230	230	230
Вхідна потужність	Вт 710	710	710	600	650	710
Швидкість без навантаження	хв' 0-2800	0-2800	0-2800	0-2800	0-2800	0-2800
Максимальна глибина свердління						
Сталь/бетон	мм 13	13	13	13	13	13
Дерево	мм 25	25	25	20	20	25
Вага	кг 2.0	2.0	2.0	2.0	2.0	2.0

Рівень звукового тиску згідно з EN 60745:

Звуковий тиск (L_{pA}) 101 дБ(А), похибка (К) 3 дБ(А)

Звукова потужність (L_{WA}) 112 дБ(А), похибка (К) 3 дБ(А)

Загальні значення вібрації (векторна сума трьох векторів) згідно з EN 60745:

Ударне свердління бетону ($a_{h,D}$) = 17,9 м/с², похибка (К) = 1,5 м/с²

свердління металу ($a_{h,D}$) = 3,37 м/с², похибка (К) = 1,5 м/с²

Заява про відповідність ЄС

ДИРЕКТИВА ДЛЯ МЕХАНІЧНОГО

ОБЛАДНАННЯ

**CD714RE, CD714CRE, CD714CRES,
KR604CRES, KR654CRES, KR714CRES**

Компанія Black & Decker заявляє, що продукти, описані в розділі "Технічні дані" відповідають: 2006/42/EC, EN60745-1, EN60745-2-1

Для отримання додаткової інформації, будь ласка, зверніться до компанії Black & Decker за наступною адресою або прочитайте інформацію на зворотній стороні цього керівництва.

Нижчепідписаний несе відповідальність за упорядкування файлу технічних характеристик та робить цю заяву від компанії Black & Decker



Кевін Хьюїт (Kevin Hewitt)

Віце-президент з глобальних розробок

Black & Decker Europe, 210 Bath Road, Slough,

Berkshire, SL1 3YD

Великобританія

01-04-2011

БЛЕК ЕНД ДЕККЕР

гарантійні умови

Шановний покупцю!

1. Вітаємо Вас з покупкою високоякісного виробу компанії Black & Decker та висловлюємо Вам свою вдячність за Ваш вибір.
- 1.1. Надійна робота цього виробу на протязі всього терміну експлуатації є предметом особливої турботи наших сервісних служб. У випадку виникнення будь-яких проблем в процесі експлуатації виробу ми рекомендуємо Вам звертатися лише до авторизованих сервісних організацій, адреси та телефони яких Ви зможете знайти в Гарантійному талоні або дізнатися в магазині.
Наші сервісні центри – це не тільки кваліфікований ремонт, але і широкий вибір запчастин та аксесуарів.
- 1.2. При купівлі виробу вимагайте перевірки його комплектності та справності за Вашої присутності, наявності інструкції з експлуатації та заповненого Гарантійного талону на українській мові. За умови відсутності у Вас правильно заповненого Гарантійного талону ми будемо вимушені відхилити Ваші претензії щодо якості цього виробу.
- 1.3. Щоб уникнути всіх непорозумінь наполегливо просимо Вас перед початком роботи з виробом уважно ознайомитись з інструкцією щодо його експлуатації.
- 1.4. Звертаємо Вашу увагу на виключно побутове призначення цього виробу.
2. Правовою основою даних гарантійних умов є діюче Законодавство та, зокрема, Закон "Про захист прав споживачів".
3. Гарантійний термін на даний виріб складає 24 місяці та починається з дня продажу через роздрібну торгову мережу. У випадку усунення недоліків виробу гарантійний термін подовжується на період, протягом якого виріб не використовувався.
4. Термін служби виробу - 5 років (мінімальний, встановлений у відповідності до Закону "Про захист прав споживачів").
5. Наші гарантійні зобов'язання поширюються тільки на несправності, виявлені протягом гарантійного терміну та обумовлені виробничими та конструктивними факторами.
6. Гарантійні зобов'язання не поширюються:
 - 6.1. На несправності виробу, що виникли в результаті:
 - 6.1.1. Недотримання користувачем вказівок інструкції з експлуатації виробу.
 - 6.1.2. Механічних пошкоджень, викликаних зовнішнім ударним або іншим впливом.
 - 6.1.3. Використання виробу в професійних цілях та об'ємах, в комерційних цілях.
 - 6.1.4. Застосування виробу не за призначенням.
 - 6.1.5. Стихійного лиха.

- 6.1.6. Неприятливому атмосферному та інших зовнішніх впливах на виріб, таких як дощ, сніг, підвищена вологість, нагрів, агресивні середовища, невідповідність параметрів електромережі параметрам, вказаним на інструменті.
- 6.1.7. Використання аксесуарів, витратних матеріалів та запчастин, які не рекомендовані або не схвалені виробником.
- 6.1.8. Проникнення всередину інструменту сторонніх предметів, комах, матеріалів або речовин, що не є відходами, які супроводжують використання інструменту за призначенням, наприклад, стружки, опилки та ін.
- 6.2. На інструменті, що були відкриті, піддані ремонту або модифікації поза уповноваженим сервісним центром.
- 6.3. На приналежності, запчастини, що вийшли з ладу внаслідок нормального зносу, та витратні матеріали, такі як, приводні ремені, вугільні щітки, ножі, та ін.
- 6.4. На несправності, які виникли в результаті перевантаження інструменту, що призвело до виходу з ладу електродвигуна або інших вузлів та деталей. До безумовних ознак перевантаження виробу належать, зокрема: поява кольорів мінливості, деформація або оплавлення деталей та вузлів виробу, потемніння або обвуглювання ізоляції дротів електродвигуна під впливом високої температури.



Виробник:
"Stanley Black & Decker Deutschland
GmbH" Black-&-Decker Str.40, D-65510
Idstein, Німеччина

Kullanım amacı

Black & Decker matkabınız ahşap, metal, plastik ve duvar delme işleri ve ayrıca vida takma/sökme uygulamaları için tasarlanmıştır. Bu alet sadece hafif hizmet ve hobi kullanımını içindir.

Güvenlik talimatları

Genel elektrikli alet güvenlik uyarıları



Uyarı! Bütün güvenlik uyarılarını ve talimatlarını mutlaka okuyun. Bu talimatların herhangi birisine uyulmaması elektrik çarpması, yangın ve/veya ciddi yaralanma riskine neden olabilir.

Bütün uyarı ve güvenlik talimatlarını ileride bakmak üzere saklayın. Aşağıda yer alan uyarılardaki "elektrikli alet" terimi şebeke elektrigiyle (kablolu) veya akü/pille (şarjlı) çalışan elektrikli aletinizi ifade etmektedir.

1. Çalışma alanının güvenliği

- Çalışma alanını temiz ve aydınlık tutun.** Karışık ve karanlık alanlar kazaya davetiye çıkartır.
- Elektrikli aletleri, yanıcı sıvılar, gazlar ve tozların bulunduğu yerler gibi yanıcı ortamlarda çalıştırmayın.** Elektrikli aletler, toz veya dumanları ateşleyebilecek kıvılcımlar çıkartır.
- Bir elektrikli aleti çalıştırırken çocuklardan ve etraftaki kişilerden uzak tutun.** Dikkatinizi dağıtıcı şeyler kontrolü kaybetmenize neden olabilir.

2. Elektrik güvenliği

- Elektrikli aletlerin fişleri prizlere uygun olmalıdır.** Fiş üzerinde kesinlikle hiçbir değişiklik yapmayın. Topraklı elektrikli aletlerde hiçbir adaptör fişi kullanmayın. Değiştirilmemiş fişler ve uygun prizler elektrik çarpması riskini azaltacaktır.
- Borular, radyatörler, ocaklar ve buzdolapları gibi topraklanmamış yüzeylerle vücut temasından kaçının.** Vücudunuzun topraklanması halinde yüksek bir elektrik çarpması riski vardır.
- Elektrikli aletleri yağmura maruz bırakmayın veya ıslatmayın.** Elektrikli alete su girmesi elektrik çarpması riskini arttıracaktır.
- Elektrik kablosunu uygun olmayan amaçlarla kullanmayın.** Elektrikli aleti kesinlikle kablosundan tutarak taşımayın, çekmeyin veya prizden çıkartmayın. Kabloyu sıcaktan, yağdan, keskin kenarlardan veya hareketli parçalardan uzak tutun. Hasarlı veya dolaşmış kablolar elektrik çarpması riskini artırır.

- Elektrikli bir aleti açık havada çalıştırıyorsanız, açık havada kullanıma uygun bir uzatma kablosu kullanın.** Açık havada kullanıma uygun bir kablolu kullanılması elektrik çarpması riskini azaltır.
- Eğer bir elektrikli aletin nemli bir bölgede çalıştırılması zorunluysa, bir artık akım aygıtı (RCD) korumalı bir kaynak kullanın.** Bir RCD kullanılması elektrik şoku riskini azaltır.

3. Kişisel güvenlik

- Elektrikli bir aleti kullanırken her zaman dikkatli olun, yaptığınız işe yoğunlaşın ve sağduyulu davranın.** Elektrikli bir aleti yorgunken veya ilaç ya da alkolün etkisi altındayken kullanmayın. Elektrikli aletleri kullanırken bir anlık dikkatsizlik ciddi kişisel yaralanmayla sonuçlanabilir.
 - Kişisel koruyucu ekipmanları mutlaka kullanın. Daima koruyucu gözlük takın.** Koşullara uygun toz maskesi, kaymayan güvenlik ayakkabıları, baret veya yelek gibi koruyucu donanımların kullanılması kişisel yaralanmaları azaltacaktır.
 - İstem dışı çalıştırılmasını önleyin. Cihazı güç kaynağına ve/veya aküye bağlamadan, yerden kaldırmadan veya taşımadan önce düğmenin kapalı konumda olduğundan emin olun.** Aleti, parmağınız düğme üzerinde bulunacak şekilde taşımak veya açık konumdaki elektrikli aletleri elektrik şebekesine bağlamak kazaya davetiye çıkartır.
 - Elektrikli aleti açmadan önce tüm ayarlama anahtarlarını çıkartın.** Elektrikli aletin hareketli bir parçasına takılı kalmış bir anahtar kişisel yaralanmaya neden olabilir.
 - Ulaşmakta zorlandığınız yerlerde kullanmayın. Daima sağlam ve dengeli basın.** Bu, beklenmedik durumlarda elektrikli aletin daha iyi kontrol edilmesine olanak tanır.
 - Uygun şekilde giyin. Bol elbiseler giymeyin ve takı takmayın. Saçınızı, elbiselerinizi ve eldivenlerinizi hareketli parçalardan uzak tutun.** Bol elbiseler ve takılar veya uzun saç hareketli parçalara takılabilir.
 - Eğer kullandığınız üründen toz emme ve toplama özellikleri olan ataşmanlar varsa bunların bağlı olduğundan ve doğru şekilde kullanıldığından emin olun.** Bu ataşmanların kullanılması tozla ilgili tehlikeleri azaltabilir.
- ### 4. Elektrikli aletlerin kullanımı ve bakımı
- Elektrikli aleti zorlamayın. Uygulamanız için doğru elektrikli aleti kullanın.** Doğru elektrikli alet, belirlendiği kapasite ayarında kullanıldığında daha iyi ve güvenli çalışacaktır.

- b. **Düğme açmıyor ve kapatmıyorsa elektrikli aleti kullanmayın.** Düğmeyle kontrol edilemeyen tüm elektrikli aletler tehlikelidir ve tamir edilmesi gerekmektedir.
- c. **Herhangi bir ayarlama, aksesuar değişimi veya elektrikli aletlerin saklanması öncesinde fişi güç kaynağından çekin ve/veya aküyü elektrikli aletten ayırın.** Bu tür önleyici güvenlik tedbirleri aletin istem dışı olarak çalıştırılması riskini azaltacaktır.
- d. **Elektrikli aleti, çocukların ulaşamayacağı yerlerde saklayın ve elektrikli aleti tanımayan veya bu talimatları bilmeyen kişilerin elektrikli aleti kullanımına izin vermeyin.** Elektrikli aletler, eğitimsiz kullanıcıların elinde tehlikelidir.
- e. **Elektrikli aletleri iyi durumda muhafaza edin. Hareketli parçalardaki hizalama hatalarını ve tutuklukları, parçalardaki kırılmalar ve elektrikli aletin çalışmasını etkileyebilecek tüm diğer koşulları kontrol edin. Hasarlı ise, elektrikli aleti kullanmadan önce tamir ettirin.** Kazaların çoğu, elektrikli aletlerin bakımının yeterli şekilde yapılmamasından kaynaklanır.
- f. **Kesim aletlerini keskin ve temiz tutun.** Bakımı uygun şekilde yapılmış keskin kesim uçlu kesim aletlerinin sıkışma ihtimali daha düşüktür ve kontrol edilmesi daha kolaydır.
- g. **Elektrikli aleti, aksesuarlarını ve aletin diğer parçalarını kullanırken bu talimatlara mutlaka uyun ve çalışma ortamının koşullarını ve yapılacak işin ne olduğunu göz önünde bulundurun.** Elektrikli aletin öngörülen işlemler dışındaki işlemler için kullanılması tehlikeli durumlara neden olabilir.
5. **Servis**
- a. **Elektrikli aletinizi, sadece orijinal yedek parçaların kullanıldığı yetkili servise tamir ettirin.** Bu, elektrikli aletin güvenliğinin muhafaza edilmesini sağlayacaktır.

Elektrikli el aletleri için ek güvenlik talimatları



Uyarı! Matkaplar ve darbeli matkaplar için ek güvenlik talimatları.

- ◆ **Darbeli matkap ile çalışırken kulaklık takın.** Yüksek sese maruz kalmak işitme kaybına yol açabilir.
- ◆ **Aletle birlikte verilmiş olan yardımcı tutma kollarını kullanın.** Kontrol kaybı kişisel yaralanmalara neden olabilir.
- ◆ **Kesim aksesuarının, gömülü elektrik kablolarına veya kendi kablosuna temas etmesine yol açabilecek durumlarda elektrikli aleti**

izole edilmiş saplarından tutun. Kesim aksesuarı "elektrik akımı" bulunan kablolarla temas ettiğinde, akım "elektrikli" aletin iletken metal parçaları üzerinden kullanıcıya iletilerek elektrik çarpmasına yol açabilir.

- ◆ **Üzerinde çalıştığınız parçayı sabitlemek ve desteklemek için kelepçeler veya başka pratik yöntemler kullanın.** Parçayı elle veya vücudunuza dayamanız dengesiz durmasına neden olacaktır ve aletin kontrolünü kaybetmeniz yol açabilir.
- ◆ Duvar, zemin veya tavanda delik açmadan önce kablo ve boruların konumunu kontrol edin.
- ◆ Delme işleminin hemen ardından matkap ucuna dokunmaktan kaçınınız; sıcak olabilir.
- ◆ Kullanım amacı bu kullanım kılavuzunda açıklanmıştır. Herhangi bir aksesuarın veya bağlantının ya da işlemin, bu kılavuzda tavsiye edilen şekilden başka bir şekilde kullanılması şahısların yaralanmalarına ve/veya mal kaybına yol açabilir.

Diğer kişilerin güvenliği

- ◆ Bu alet fiziksel ve zihinsel kapasitesinin yanı sıra algılama gücü azalmış olan veya yeterince deneyim ve bilgisi bulunmayan kişiler (çocuklar dahil) tarafından kullanılmak üzere üretilmemiştir. Bu tür kişiler aleti ancak güvenliklerinden sorumlu bir kişi tarafından cihazın kullanımıyla ilgili talimatların verilmesi veya sürekli kontrol altında tutulması durumunda kullanabilir.
- ◆ Çocuklar, aletle oynamalarını önlemek amacıyla kontrol altında tutulmalıdır.

Titreşim

Teknik veriler ve uygunluk beyanati içerisinde belirtilen titreşim emisyon değerleri EN60745 tarafından belirlenen standart bir test yöntemine uygun olarak ölçülmektedir ve diğer bir aletle karşılaştırma yaparken kullanılabilir. Beyan edilen titreşim emisyon değeri aynı zamanda maruz kalmanın önceden değerlendirilmesinde de kullanılabilir.

Uyarı! Elektrikli aletin mevcut kullanımı sırasındaki titreşim emisyon değeri, aletin kullanım yöntemine bağlı olarak, beyan edilen değere göre farklılık sergileyebilir. Titreşim düzeyi belirlenen seviyenin üzerinde artış gösterebilir.

İşyerinde düzenli olarak elektrikli alet kullanan çalışanları korumak amacıyla 2002/44/EC tarafından getirilen elektrik güvenliği önlemlerini belirlemek üzere titreşime maruz kalmayı değerlendirirken, çalışma döngüsü içerisinde örneğin aletin kapalı olduğu ve aktif durumda olmasının yanı sıra boşta çalıştığı zamanlar gibi, bütün zaman dilimleri dahil

olmak üzere mevcut kullanım durumu ve aletin kullanım şekli göz önünde bulundurularak değerlendirilmelidir.

Alet üzerindeki etiketler

Alet üzerinde, aşağıdaki uyarı sembolleri bulunmaktadır:



Uyarı! Yaralanma riskini en aza indirmek için kullanıcı kullanım talimatlarını mutlaka okumalıdır.

Elektrik güvenliği



Bu alet çift yalıtımlıdır. Bu yüzden hiçbir topraklama kablosuna gerek yoktur. Her zaman şebeke geriliminin aletin üretim etiketinde belirlenmiş değerlere uyup uymadığını kontrol edin.

- ◆ Elektrik kablosu hasarlı ise, bir tehlike oluşmasını önlemek için üretici ya da yetkili Black & Decker Servis Merkezi tarafından değiştirilmelidir.

ÖZELLİKLER

1. Değişken hız ayarlı tetik
2. Kesintisiz çalıştırma düğmesi
3. İleri/geri sürgüsü
4. Delme modu seçicisi
5. Mandren
6. Derinlik çubuğu (her modelde bulunmayabilir)
7. Yan kol (her modelde bulunmayabilir)

Şekil B

8. Manüel mil kilidi düğmesi (sadece tek kovanlı anahtarsız mandrenlerde)

Montaj

Uyarı! Montajdan önce aletin kapalı ve fişinin çekilmiş olduğundan emin olun.

Yan kol ve derinlik çubuğunun takılması (Şekil A ve G)

- ◆ Tutamağı, yan kol (7) resimde gösterildiği gibi aletin ön kısmının üzerine kaydırabilir duruma gelene kadar saatin ters yönünde çevirin.
- ◆ Yan kolu istediğiniz konuma çevirin.
- ◆ Derinlik çubuğunu (6) resimde gösterildiği gibi montaj deliğine takın.
- ◆ Delme derinliğini aşağıda açıklandığı şekilde ayarlayın.
- ◆ Tutamağı saat yönünde çevirerek yan kolu sıkın.

Bir matkap veya tornavida ucunun takılması

Tek kovanlı anahtarsız mandren (Şekil B)

- ◆ Manüel mil kilidi düğmesine (8) basarak ve kovani (9) saatin ters yönünde döndürerek mandreni açın.
- ◆ Ucu mil kısmını (12) mandrene sokun.
- ◆ Manüel mil kilidi düğmesine (8) basarak ve kovani (9) saat yönünde döndürerek mandreni sonuna kadar sıkın.

Çift kovanlı anahtarsız mandren (fig. C)

- ◆ Bir elinizle arka kısmı (11) tutarken diğer elinizle ön kısmı (10) çevirerek mandreni açın.
- ◆ Ucu mil kısmını (12) mandrene sokun ve mandreni sonuna kadar sıkın.

Anahtarlı mandren (Şekil D)

- ◆ Kovani (13) saatin tersi yönde çevirerek mandreni açın.
- ◆ Ucu mil kısmını (12) mandrene sokun.
- ◆ Mandren anahtarını (14) mandrenin yan tarafındaki her bir deliğe (15) yerleştirin ve sıkışana kadar saat yönünde döndürün.

Mandrenin çıkarılması ve yeniden takılması (Şekil E)

- ◆ Mandreni mümkün olduğunca açın.
- ◆ Mandrenin içindeki tutucu vidayı çıkarmak için, bir tornavidayla saat yönünde döndürün.
- ◆ Mandrenin içine bir Alyan anahtar takarak sıkın ve gösterildiği gibi bir çekiçle anahtara vurun.
- ◆ Alyan anahtarını çıkarın.
- ◆ Mandreni saat yönünün tersine döndürerek çıkarın.
- ◆ Mandreni tekrar takmak için, onu milin üzerine vidalayın ve mandren tutucu vidayla sabitleyin.

Diğer tehlikeler

Aletin kullanımıyla ilgili ekte sunulan güvenlik uyarılarında dahil olmayan ilave kalıcı riskler ortaya çıkabilir. Bu riskler, hatalı, uzun süreli kullanım vb. dolayısıyla ortaya çıkabilir.

Emniyet tedbirlerini düzenleyen yönetmeliğin uygulanmasına ve emniyet sağlayıcı aygıtların kullanılmasına rağmen, başka belirli risklerden kaçınılamaz. Bunlar:

- ◆ Aletin dönen ve hareket eden parçalarına dokunma sonucu ortaya çıkan yaralanmalar.
- ◆ Herhangi bir parçayı, bıçak veya aksesuarı değiştirirken ortaya çıkan yaralanmalar.
- ◆ Aletin uzun süreli kullanılması sonucu ortaya çıkan yaralanmalar. Herhangi bir aleti uzun sürelerle kullanacaksanız düzenli olarak çalışmanıza ara verin.

TÜRKÇE

- ◆ Duyma bozukluğu.
- ◆ Aleti kullanırken ortaya çıkan tozun solunması sonucu ortaya çıkan sağlık sorunları (örnek: ahşapta çalışırken, özellikle meşe, akgürgen ve MDF).

Kullanımı

Uyarı! Aletin kendi hızında çalışmasına izin verin. Aşırı yüklenmeyin.

Uyarı! Duvar, zemin veya tavanda delik açmadan önce kablo ve boruların konumunu kontrol edin.

Dönme yönünün seçilmesi (Şekil F)

Delik açma ve vida sıkma uygulamaları için ileri (saat yönünde) dönmeyi kullanın. Vidaları gevşetmek veya sıkışmış bir matkap ucunu çıkartmak için geri (saatin ters yönünde) dönmeyi kullanın.

- ◆ İleri dönmeyi seçmek için ileri/geri sürgüsünü (3) sola itin.
- ◆ Geri dönmeyi seçmek için ileri/geri sürgüsünü sağa itin.

Uyarı! Dönme yönünü kesinlikle motor çalışır durumdayken değiştirmeyin.

Delme modunun seçilmesi

- ◆ Duvarı delmek için, delme modu seçicisini (4) T konumuna ayarlayın.
- ◆ Diğer materyalleri delmek ve vida takıp sökmek için delme modu seçicisini 1 konumuna getirin.

Delme derinliğinin ayarlanması (Şekil G)

- ◆ Tutamağı saatin tersi yönde çevirerek yan kolu (7) gevşetin.
- ◆ Derinlik çubuğunu (6) istediğiniz konuma ayarlayın. Maksimum delme derinliği, matkap ucunun uç kısmı ile derinlik çubuğunun ön ucu arasındaki mesafeye eşittir.
- ◆ Tutamağı saat yönünde çevirerek yan kolu sıkın.

Açılması ve kapatılması

- ◆ Aleti açmak için, değişken hız düğmesine (1) basın. Aletin hızı, düğmeye ne kadar bastığınıza bağlıdır. Genel kural olarak, büyük çaplı uçlar için düşük hız, küçük çaplı uçlar içinse yüksek hız seçin.
- ◆ Sürekli çalışması için kesintisiz çalıştırma düğmesine (2) basın ve değişken hız düğmesini bırakın. Sürekli çalıştırma işlevi ileri ve geri dönme yönlerinde sadece tam hızda çalışır.
- ◆ Aleti kapatmak için, değişken hız düğmesini bırakın. Kesintisiz çalışma konumundayken aleti kapatmak için değişken hız düğmesine bir kez daha basın ve bırakın.

Aksesuarlar

Aletinizin performansı kullanılan aksesuara bağlıdır. Black & Decker ve Piranha aksesuarları, yüksek kalite standartlarına göre üretilmiş ve aletinizin performansını arttıracak şekilde tasarlanmıştır. Bu aksesuarları kullanarak, aletinizden en iyi verimi alacaksınız.

Bakım

Black & Decker aletiniz minimum bakımla uzun bir süre çalışacak şekilde tasarlanmıştır. Kesintisiz olarak memnuniyet verici bir şekilde çalışması gerekli özenin gösterilmesine ve düzenli temizliğe bağlıdır.

Uyarı! Bakımdan önce aletin kapalı ve fişinin çekilmiş olduğundan emin olun.

- ◆ Aletinizdeki havalandırma deliklerini yumuşak bir fırça veya kuru bir bezle düzenli olarak temizleyin.
- ◆ Motor muhafazasını düzenli olarak nemli bir bezle silin. Aşındırıcı veya çözücü bazlı temizleyiciler kullanmayın.
- ◆ Mandreni düzenli olarak tamamen açın ve içindeki tozu dökmek için hafifçe vurun (mandren alete takılıysa).

Çevrenin korunması



Ayrı olarak atın. Bu ürün, normal evsel atıklarla birlikte atılmamalıdır.

Black & Decker ürününüzün değiştirilmesi gerektiğini düşünmeniz veya artık kullanılamaz durumda olması halinde onu, evsel atıklarla birlikte atmayın. Bu ürünü, ayrı olarak toplanacak şekilde atın.



Kullanılmış ürünlerin ve ambalajların ayrı olarak toplanması bu maddelerin geri dönüşüme sokularak yeniden kullanılmasına olanak tanır. Geri dönüşümlü maddelerin tekrar kullanılması çevre kirliliğinin önlenmesine yardımcı olur ve ham madde ihtiyacını azaltır.

Yerel yönetmelikler, elektrikli ürünlerin evlerden toplanıp belediye atık tesislerine aktarılması veya yeni bir ürün satın alırken perakende satıcı tarafından toplanması yönünde hükümler içerebilir.

Black & Decker, hizmet ömrünün sonuna ulaşan Black & Decker ürünlerinin toplanması ve geri dönüşüme sokulması için bir imkan sunmaktadır. Bu hizmetin avantajlarından faydalanmak için, lütfen, ürününüzü bizim adımıza teslim edecek herhangi bir yetkili servise iade edin.

Bu kılavuzda belirtilen listeden size en yakın yetkili

tamir servisinin yerini öğrenebilirsiniz. Ya da, alternatif olarak internet'ten Black & Decker yetkili tamir servislerinin listesini ve satış sonrası hizmetlerimizle ilgili tüm bilgiler ve temas bilgilerine aşağıdaki site-den ulaşabilirsiniz. **www.2helpU.com**

Teknik veriler

		CD714RE TYPE 2	CD714CRE TYPE 2	CD714CRES TYPE 2	KR604CRES TYPE 2	KR654CRES TYPE 2	KR714CRES TYPE 2
Giriş voltajı	V_{AC}	230	230	230	230	230	230
Giriş gücü	W	710	710	710	600	650	710
Yüksüz hızı	dev/dak.	0-2800	0-2800	0-2800	0-2800	0-2800	0-2800
Maks. delme kapasitesi							
Çelik/Beton	mm	13	13	13	13	13	13
Ahşap	mm	25	25	25	20	20	25
Ağırlık	kg	2.0	2.0	2.0	2.0	2.0	2.0

EN 60745'e göre ses basıncı düzeyi:

Ses basıncı (L_{pA}) 101 dB(A), belirsizlik (K) 3 dB(A)

Akustik güç (L_{WA}) 112 dB(A), belirsizlik (K) 3 dB(A)

EN 60745'e göre tespit edilen toplam titreşim değerleri (üç yönün vektör toplamı):

Betonda darbeli delme ($a_{h,1D}$) = 17.9 m/s², belirsizlik (K) = 1.5 m/s²

Metalde delme ($a_{h,D}$) = 3.37 m/s², belirsizlik (K) 1.5 m/s²

AT uygunluk beyanati

MAKİNE DİREKTİFİ

**CD714RE, CD714CRE, CD714CRES,
KR604CRES, KR654CRES, KR714CRES**

Black & Decker, «teknik özellikleri» bölümünde açıklanan bu ürünlerin aşağıda belirtilen yönergelere uygun olduğunu beyan eder:

2006/42/EC, EN 60745-1, EN 60745-2-1.

Daha fazla bilgi için, lütfen aşağıdaki adresten Black & Decker ile irtibata geçin veya kılavuzun arkasına bakın.

Bu belge altında imzası bulunan yetkili, teknik dosyanın derlenmesinden sorumludur ve bu beyanı Black & Decker adına vermiştir.



Kevin Hewitt

Başkan Yardımcısı, Global Mühendislik
Black & Decker Europe, 210 Bath Road, Slough,
Berkshire, SL1 3YD
İngiltere
01-04-2011

Garanti

Black & Decker, ürünün kalitesinden emindir ve bu yüzden kanunlarda belirtilen taleplerin üstünde bir garanti verir. Ayrıca bu garanti hiçbir şekilde garanti ile ilgili kanuni haklarınızı ihlal etmez ve haklarınızı hiç bir şekilde kısıtlamaz. İşbu garanti Avrupa Birliği'ne üye ülkeler ile Avrupa Serbest Ticaret Bölgesi sınırları dahilinde geçerlidir.

Eğer bir Black & Decker ürünü, satın alma tarihinden itibaren 24 ay içinde hatalı malzeme, işçilik ya da uygunsuzluk nedeniyle bozulursa, müşteriye mümkün

olabilecek en az sorunu yaşatarak Black & Decker hatalı kısımları değiştirmeyi, adil bir şekilde aşınmış ve yıpranmış ürünleri tamir etmeyi veya değiştirmeyi garanti eder. Ancak bu belirtilenler şu durumlarda dışında geçerlidir:

- ◆ Ürün ticari veya profesyonel amaçlarla kullanılmışsa veya kiraya verilmişse;
- ◆ Ürün yanlış veya amaç dışı kullanılmışsa;
- ◆ Ürün yabancı nesnelere, maddelere veya kaza sırasında zarar görmüşse;
- ◆ Yetkili tamir servisleri veya Black & Decker servis ekibinden başkası tarafından tamir edilmeye çalışılmışsa.

Garanti talebinde bulunmak için, satıcıya veya yetkili tamir servisine satın aldığınıza dair ispat sunmalısınız. Fatura ve garanti kartı gerekmektedir. Bu kullanım kılavuzunda belirtilen listeden size en yakın yetkili servis adresini öğrenebilirsiniz. Ya da, İnternet'ten Black & Decker yetkili tamir servislerinin listesini ve satış sonrası hizmet veren yetkililerin tam detaylarını www.2helpU.com sitesinden öğrenebilirsiniz.

Sanayi ve Ticaret Bakanlığı tebliğince kullanım ömrü 10 yıldır.

Türkiye Distribütörü

KALE HIRDAVAT VE MAKİNA A.Ş.
Defterdar Mah. Savaklar Cad. No. 15
34050 Edirnekapı Eyüp İstanbul

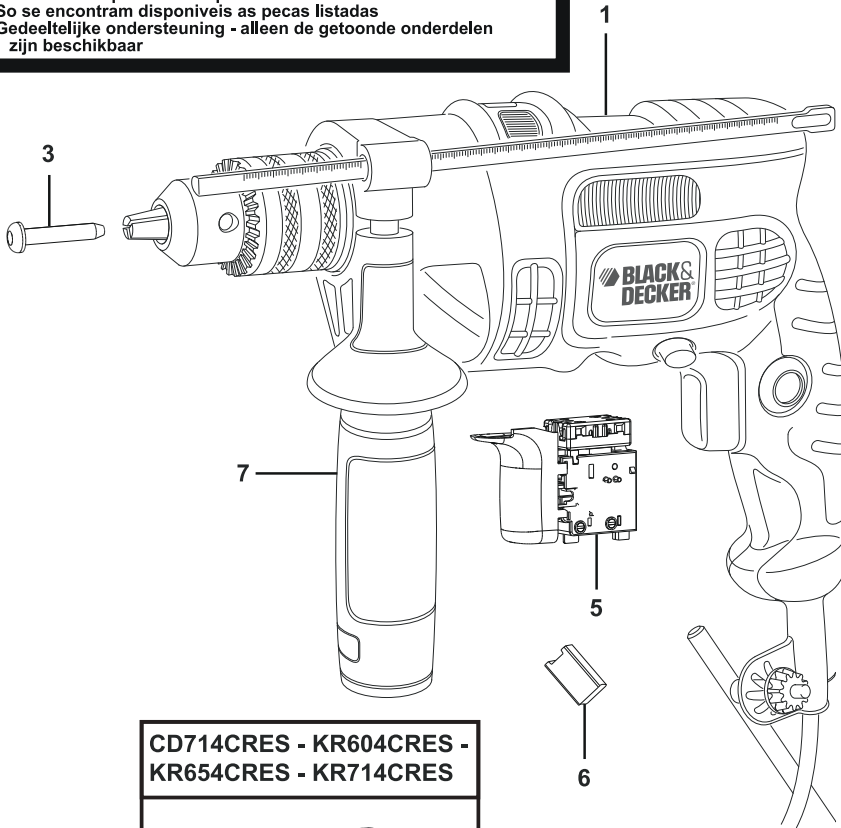
No.	İl	Yetkili Servis	Adres	Telefon
1	Adana	Emin Elektrik Bobinaj	Kızılay Cad. 9. Sok. No: 9/D	0322 351 80 46
2	Afyon	Emek Motor	Karaman Mah. Gazlı Göl Cad. No: 15	0272 212 11 14
3	Ağrı	Tamgüç Bobinaj	Kağızman Cad. No: 42	0472 215 70 41
4	Ankara	Orhan Bobinaj	Yalınc Sok. No: 17 Siteler	0312 385 92 92
5	Ankara	Yiğit Bobinaj	668. Sok. No: 8 Eminel Koop. İvedik / Ostim	0312 395 05 37
6	Antalya	E.B.A. Elektrik	San. Sit. 682. Sok. No: 38	0242 345 36 22
7	Aydın	Saydam Motor Yedek Parça	Küçük San. Sit. Çubukçu Sok. No: 2/B Söke Aydın	0256 512 81 91
8	Bursa	Vokart	Gazlılar Cad. Erikli Bahçe Sok. No: 7/B	0224 254 48 75
9	Bursa	Vokart	Beşevler Küçük San. Sit. 47. Sok. Parkoop No: 67 Nilüfer	0224 441 57 00
10	Çanakkale	Kısacık Bobinaj	Namık Kemal Mah. Kaynak Sok. No: 41	0286 217 96 71
11	Çanakkale	Ovalı Bobinaj	Hamdibey Mah. İstiklal Cad. No: 160	0286 316 49 66
12	Çorum	Emek Bobinaj	Küçük San. Sit. 23. Cad. No: 5/C Cami Yanı	0364 234 68 84
13	Diyarbakır	Çetsan Elektrik	San. Sit. Karakol Sok. No: 1	0412 223 72 77
14	Elazığ	Kalender Elektrik Bobinaj	San. Sit. 11. Sok. No: 46	0424 224 85 01
15	Erzurum	Bursan Bobinaj	San. Sit. 5. Blok No: 135	0442 242 77 28
16	Eskişehir	Escom Elektronik	Kırmızı Toprak Mah. Ali Fuat Güven Cad. No: 31/A	0222 224 15 30
17	İsparta	İzmir Bobinaj	Yeni San. Sit. 6. Blok No: 28	0246 223 70 11
18	Mersin	Şekerler Elektrik Bobinaj	Nusratiye Mah. 5005 Sok. No: 20/A	0324 336 70 98
19	Mersin	Üniversal Bobinaj	Nusratiye Mah. Çiftçiler Cad. 68 Sok. No: 19	0324 233 44 29
20	İstanbul	Akel	Nato Yolu Cad. Özgün Sok. No: 1 Y. Dudullu	0216 540 53 55
21	İstanbul	Fırat Dış Ticaret	Tersane Cad. Kuthan No: 38 Kat: 3 Karaköy	0212 252 93 43
22	İstanbul	Kardeşler Bobinaj Elektrik	Çağlayan Mah. Sinanpaşa Cad. No: 5 Çağlayan	0212 224 97 54
23	İstanbul	Mert Elektrik	İkitelli Org. Demirciler San. Sit. D-2BL. No: 280 İkitelli	0212 549 65 78
24	İstanbul	SVS Teknik	Evliya Çelebi Mah. İstasyon Cad. Gibtaş San. Sit. F Blok No: 24 Tuzla	0216 446 69 39
25	İstanbul	Orijinal Elektrik	Bağlar Mah. Mimar Sinan Cad. No: 24 Güneşli – Bağcılar	0212 515 67 71
26	İstanbul	Tarik Makina	Bağdat Cad. Adalı Sk. No: 8 Maltepe	0216 370 21 11
27	İzmir	Doruk Hırdavat	1426 Sok. No: 14 Hurdacılar Sit. Doğanlar/Bornova	0232 478 14 12
28	İzmir	Boro Civata	1203/2. Sok. No: 21/B Gıda Çarşısı Yenişehir	0232 469 80 70
29	İzmir	Çetin Bobinaj	Cüneyt Bey Mah. İbrahim Turan Cad. No: 98/A Menderes	0232 782 10 84
30	İzmir	Doruk Hırdavat	1426 Sok. No: 14 Hurdacılar Sit. Doğanlar/Bornova	0232 478 14 12
31	Kastamonu	Merik Bobinaj	San. Çarşısı 4. Blok No: 35	0366 212 38 89
32	Kayseri	Akın Elektrik Bobinaj	Eski San. Böl. 5. Cad. No: 8	0352 336 41 23
33	Kocaeli	Gülsoy Bobinaj Makina	S.Orhan Mah. İlyasbey Cad. 1111 Sok. No: 5/1 Gebze	0262 646 92 49
34	Gebze	Teknik Karot	Gaziler Mah. İbrahimağa Cad. No: 125	0262 642 79 10
35	Malatya	Özer Bobinaj	Yeni San. Sit. 2. Cad. No: 95	0422 336 39 53
36	Muğla	Bodrum Makina	Türkkuyusu Mah. San. Sit. Ethem Demiröz Sok. No: 8	0252 316 28 51
37	Muğla	General Elektrik Bobinaj	Taşyaka Mah. San. Sit. 260. Sok. No: 18 Fethiye	0252 612 38 34
38	Muğla	Öztürk Bobinaj İnşaat	Atakent Mah. Çevreyolu Üzeri	0252 697 64 98
39	Nevşehir	Çiftgüç	Yeni San. Sit. 8 Blok No: 28	0384 213 19 96
40	Niğde	Emek Motor	Eski San. Çarşısı 1. BL. No: 2 Niğde	0388 232 83 59
41	Adapazarı	Engin Elektrik Bobinaj	Maltepe Mah. Orhan Gazi Cad. (Tek Yokuşu) Şehit Metin Akkuş Sok. No: 19	0264 291 05 67
42	Sivas	Bayraktar Elektrik	Yeni Çarşı No: 72 C	0346 221 47 55
43	Tekirdağ	Birkan	Şeyh Sinan Mah. Ş. Pilot İhsan Aksoy Sok. Aksoy Pasajı No: 20/7-B	0282 654 50 91
44	Tokat	Çetin Elektrik Bobinaj	San. Sit. Cami Altı No: 22	0356 214 63 07
45	Uşak	Zengin Bobinaj	İslicce Mah. Ürem Sok. No: 10/C	0276 227 27 46
46	Van	Özen Elektrik Bobinaj	Alçekış Pasajı No: 41	0432 214 22 20
47	Zonguldak	Genel Elektromotor	Çınartepe Mah. T.T.K 69 Ambarları 4. Kısım	0372 268 08 64
48	Zonguldak	Tümen Bobinaj	Kışla San. Sit. D Blok No: 17 Kdz. Ereğli	0372 323 74 97
49	Yalova	Kale İnşaat	Hürriyet Mah. Eski Bursa Cad. No: 39 Altınova	0226 461 22 43
50	Düzce	Yıldız Makina	Burhaniye Mah. Gen. Kazım Sok. No: 10	0380 514 70 56



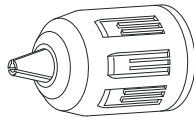
CD714RE - CD714CRES - KR604RE -
KR604CRES - KR654CRES - KR714CRES

TYP.
1 - 2

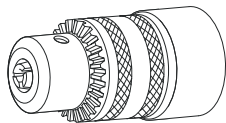
Partial support - Only parts shown available
Nur die aufgeführten teile sind lieferbar
Reparation partielle - Seules les pieces indiquees sont disponibles
Supporto parziale - Sono disponibili soltanto le parti evidenziate
Solo estan disponibles las peizas listadas
So se encontram disponiveis as pecas listadas
Gedeeltelijke ondersteuning - alleen de getoonde onderdelen
zijn beschikbaar



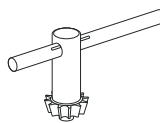
CD714CRES - KR604CRES -
KR654CRES - KR714CRES



CD714RE - KR604RE



CD714RE - KR604RE



©

