

Built-in hob

User Manual

Варочная

Поверхность

Руководство

пользователя

Вбудована варильна

панель

Посібник користувача

Please read this manual first.

Dear Customer,

We would like you to obtain the best performance from your product which has been manufactured in modern facilities and under strict quality control procedures.

Therefore, we advise you to read through this User Manual carefully before using your product and keep it for future reference. If you hand over the product to someone else, deliver the User Manual as well.

The User Manual will help you use the product in a fast and safe way.

- Read the User Manual before installing and operating the product.
 - You must strictly observe the safety instructions.
 - Keep this User Manual within easy reach for future reference.
 - Also read other documents supplied with the product.
- Remember that this User Manual may also be applicable for several other models. Differences between models are explicitly identified in the manual.

Explanation of symbols

Throughout this User Manual the following symbols are used:



Important information or useful hints about usage.



Warning for hazardous situations with regard to life and property.



Warning for electric shock.



Warning for risk of fire.



Warning for hot surfaces.

Açelik A.Ş.

Karaağaç caddesi No:2-6
34445 Sütlüce/İstanbul/TURKEY

Made in TURKEY

CE

TABLE OF CONTENTS

1 General information **4**

Overview	4
Technical specifications	5
Package contents.....	5
Injector table.....	5

2 Important safety instructions **6**

General safety.....	6
Safety for children	6
Safety when working with gas.....	7
Intended use.....	7

3 Installation **8**

Before installation	8
Installation and connection	9
Gas conversion	11
Compliance with EEE Directive	12
Package information.....	12
Future Transportation	12

Disposing of the old product.....	12
-----------------------------------	----

4 Preparation **13**

Tips for saving energy	13
Initial use	13
First cleaning of the appliance.....	13

5 How to use the hob **14**

General information about cooking	14
Using the hobs	14

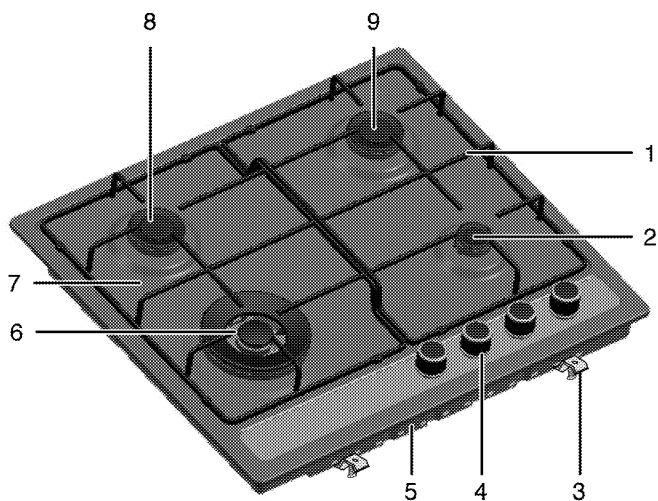
6 Maintenance and care **16**

General information	16
Cleaning the hob	16
Cleaning the control panel	17

7 Troubleshooting **18**

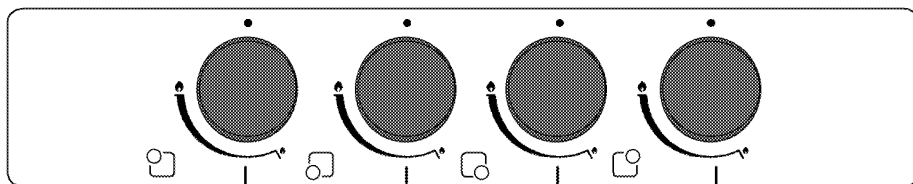
1 General information

Overview



- 1 Pan support
- 2 Auxiliary burner
- 3 Assembly clamp
- 4 Control panel
- 5 Base cover

- 6 Wok burner
- 7 Burner plate
- 8 Normal burner
- 9 Normal burner



- 1 Normal burner Rear left
- 2 Wok burner Front left

- 3 Auxiliary burner Front right
- 4 Normal burner Rear right

Technical specifications

Voltage / frequency	220-230 V ~ 50 Hz
Cable type / section	H05RR-FG 3 x 0,75 mm ²
Cable length	max. 2 m
Category of gas product	II 2H3B/P
Gas type / pressure	NG G 20/20 mbar
Total gas consumption	7.8 kW
Converting the gas type / pressure ^s	LPG G 30/30 mbar
External dimensions (height / width / depth)	99 mm/580 mm/510 mm
Installation dimensions (width / depth)	560 mm/480-490 mm
Burners	
Rear left	Normal burner
Power	1750 W
Front left	Wok burner
Power	3300 W
Front right	Auxiliary burner
Power	1000 W
Rear right	Normal burner
Power	1750 W



Technical specifications may be changed without prior notice to improve the quality of the product.



Figures in this manual are schematic and may not exactly match your product.



Values stated on the product labels or in the documentation accompanying it are obtained in laboratory conditions in accordance with relevant standards. Depending on operational and environmental conditions of the product, these values may vary.

Package contents



Accessories supplied can vary depending on the product model. Not every accessory described in the user manual may exist on your product.

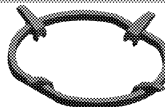
User manual

Coffee pot adaptor



Used for coffe pots.

Wok pan adaptor



Used for hosting a wok pan with a round bottom.

Injector table

Position hob zone Gas type / Gas pressure	1750 W	3300 W	1000 W	1750 W
	Rear left	Front left	Front right	Rear right
G 20/20 mbar	97	132	78	97
G 30/28-30 mbar	66	92	50	66

2 Important safety instructions

This section contains safety instructions that will help you avoid risk of injury and damage. All warranties will become void if you do not follow these instructions.

General safety

- This product is not intended to be used by persons with physical, sensory or mental disorders or unlearned or inexperienced people (including children) unless they are attended by a person who will be responsible for their safety or who will instruct them accordingly for use of the product.
Children must be supervised to prevent them from tampering with the product.
- Connect the product to an earthed outlet/line protected by a fuse of suitable capacity as stated in the "Technical specifications" table. Have the earthing installation made by a qualified electrician while using the product with or without a transformer. Our company shall not be liable for any problems arising due to the product not being earthed in accordance with the local regulations.
- If the supply cord is damaged, it must be replaced by the manufacturer, its service agent or similarly qualified persons in order to avoid a hazard.
- Do not operate the product if it is defective or has any visible damage.
- Do not carry out any repairs or modifications on the product. However, you may remedy some troubles that do not require any repairs or modifications. See *Troubleshooting, page 18*.
- Never wash down the product with water! There is the risk of electric shock!
- Never use the product when your judgment or coordination is impaired by the use of alcohol and/or drugs.
- Product must be disconnected from the mains during installation, maintenance, cleaning and repair procedures.

- Be careful when using alcoholic drinks in your dishes. Alcohol evaporates at high temperatures and may cause fire since it can ignite when it comes into contact with hot surfaces.
- Do not heat closed tins and glass jars in the oven. The pressure that would build-up in the tin/jar may cause it to burst.
- Do not place any flammable materials close to the product as the sides may become hot during use.
- Keep all ventilation slots clear of obstructions.
- Make sure that the product function knobs are switched off after every use.

Safety for children

- Packaging materials are dangerous to children. Keep packaging materials in a safe place out of reach of children.
- Electrical and/or gas products are dangerous to children. Keep children away from the product when it is operating and do not allow them to play with the product.
- Accessible parts of the appliance will become hot whilst the appliance is in use. Children should be kept away until the product has cooled down.
- Do not place any items above the appliance that children may reach for.
- The packaging materials will be dangerous for children. Keep the packaging materials away from children. Please dispose of all parts of the packaging according to environmental standards.

SAVE THESE INSTRUCTIONS

Safety when working with gas

- Any works on gas equipment and systems may only be carried out by authorised qualified persons who are Gas Safe registered.
- "Prior to the installation, ensure that the local distribution conditions (nature of the gas and gas pressure) and the adjustment of the appliance are compatible."
- "This appliance is not connected to a combustion products or evacuation device. It shall be installed and connected in accordance with current installation regulations. Particular attention shall be given to the relevant requirements regarding ventilation;" See *Before installation, page 8*
- "CAUTION: The use of gas cooking appliance results in the production of heat and moisture in the room in which it is installed. Ensure that the kitchen is well ventilated: keep natural ventilation holes open or install a mechanical ventilation device (mechanical extractor hood). Prolonged intensive use of the appliance may call for additional ventilation, for example increasing the level of the mechanical ventilation where present."
- Gas appliances and systems must be regularly checked for proper functioning. Regulator, hose and its clamp must be checked regularly and replaced within the periods recommended by its manufacturer or when necessary.
- Clean the gas burners regularly. The flames should be blue and burn evenly.
- Good combustion is required in gas appliances. In case of incomplete combustion, carbon monoxide (CO) might develop. Carbon monoxide is a colourless, odourless and very toxic gas, which has a lethal effect even in very small doses.
- Request information about gas emergency telephone numbers and safety measures in case of gas smell from you local gas provider.

What to do when you smell gas



DANGER

Do not use open flame or do not smoke.

Do not operate any electrical buttons (e.g. lamp button, door bell and etc.)

Do not use fixed or mobile phones.

Risk of explosion and toxication!

1. Turn off all valves on gas appliances and gas meter at the main control valve, unless it's in a confined space or cellar.
2. Open doors and windows.
3. Check all tubes and connections for tightness. If you still smell gas leave the property.
4. Warn the neighbours.
5. Call the fire-brigade. Use a telephone outside the house.
 - 5.1 If you have door or gates that are secured by an electric lock, or entry phone, please open these manually.
6. Do not re-enter the property until you are told it is safe to do so.

Intended use

This product is designed for domestic use.

Commercial use will void the guarantee.

"CAUTION: This appliance is for cooking purposes only. It must not be used for other purposes, for example room heating."

The manufacturer shall not be liable for any damage caused by improper use or handling errors.

3 Installation

Product must be installed by a qualified person in accordance with the regulations in force. The manufacturer shall not be held responsible for damages arising from procedures carried out by unauthorized persons which may also void the warranty.



Preparation of location and electrical and gas installation for the product is under customer's responsibility.



DANGER

The product must be installed in accordance with all local gas and/or electrical regulations.



DANGER

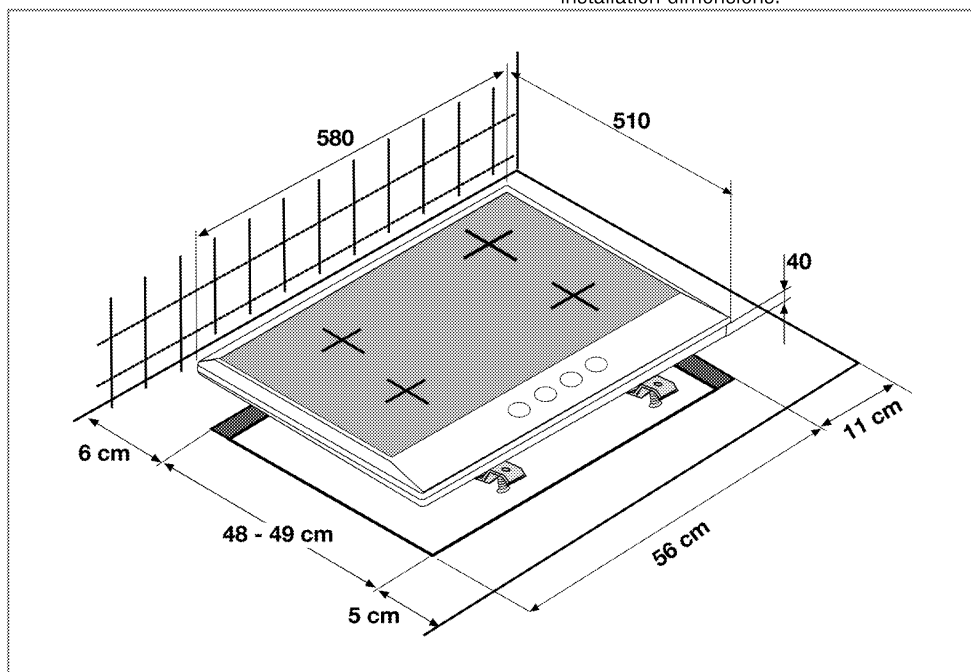
Prior to installation, visually check if the product has any defects on it. If so, do not have it installed.

Damaged products cause risks for your safety.

Before installation

The hob is designed for installation in a commercial worktop. A safety distance must be left between the appliance and the kitchen walls and furniture. See figure (values in mm).

- It can also be used in a free standing position. Allow a minimum distance of 750 mm above the hob surface.
- (*) If a cooker hood is to be installed above the cooker, refer to cooker hood manufacturer' instructions regarding installation height (min 650 mm)
- Remove packaging materials and transport locks.
- Surfaces, synthetic laminates and adhesives used must be heat resistant (100 °C minimum).
- The worktop must be aligned and fixed horizontally.
- Cut aperture for the hob in worktop as per installation dimensions.



Room ventilation

All rooms require an openable window, or equivalent, and some rooms will require a permanent vent as well.

The air for combustion is taken from the room air and the exhaust gases are emitted directly into the room.

Good room ventilation is essential for safe operation of your appliance. If there is no window or door available for room ventilation, an extra ventilation must be installed.

The appliance may be located in a kitchen, kitchen/diner or a bed-sitting room, but not in a room containing a bath or shower. The appliance must not be installed in a bed-sitting room of less than 20m³.

Do not install this appliance in a room below ground level unless it is open to ground level on at least one side.

Room size	Ventilation opening
smaller than 5 m ³	min. 100 cm ²
5 m ³ to 10 m ³	min. 50 cm ²
greater than 10 m ³ ,den	not required
In the cellar or basement	min. 65 cm ²

Installation and connection

- The product must be installed in accordance with all local gas and electrical regulations.

Electrical connection

Connect the product to a grounded outlet/line protected by a fuse of suitable capacity as stated in the "Technical specifications" table. Have the grounding installation made by a qualified electrician while using the product with or without a transformer. Our company shall not be liable for any damages that will arise due to using the product without a grounding installation in accordance with the local regulations.



DANGER

The product must be connected to the mains supply only by an authorised and qualified person. The product's warranty period starts only after correct installation.

Manufacturer shall not be held responsible for damages arising from procedures carried out by unauthorised persons.



DANGER

The power cable must not be clamped, bent or trapped or come into contact with hot parts of the product.

A damaged power cable must be replaced by a qualified electrician. Otherwise, there is risk of electric shock, short circuit or fire!

- Connection must comply with national regulations.
- The mains supply data must correspond to the data specified on the type label of the product. Type label is at the rear housing of the product.
- Power cable of your product must comply with the values in "Technical specifications" table.



DANGER

Before starting any work on the electrical installation, disconnect the product from the mains supply. There is the risk of electric shock!



Power cable plug must be within easy reach after installation (do not route it above the hob).

Plug the power cable into the socket.

Gas connection



DANGER

Product can be connected to gas supply system only by an authorised and qualified person.

Risk of explosion or toxication due to unprofessional repairs!

Manufacturer shall not be held responsible for damages arising from procedures carried out by unauthorised persons.



DANGER

Before starting any work on the gas installation, disconnect the gas supply. There is the risk of explosion!

- Gas adjustment conditions and values are stated on labels (or ion type label).

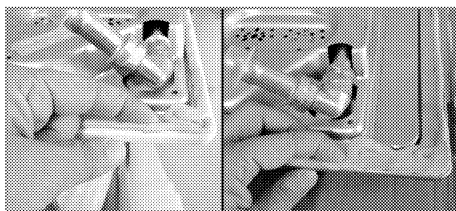


Your product is equipped for natural gas (NG).

- Natural gas installation must be prepared before installing the product.
- There must be a flex pipe at the outlet of the installation for the natural gas connection of your product and the tip of this pipe must be closed with a blind plug. Service Representative will remove the blind plug during connection and connect your product by means of a straight connection device (coupling).
- Make sure that the natural gas valve is readily accessible.
- If you need to use your product later with a different type of gas, you must consult the Authorised Service Agent for the related conversion procedure.

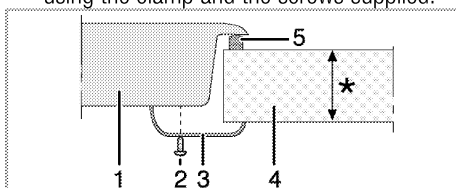
Installing the product

1. Remove burners, burner caps and grills on the hob from the product.
2. Turning the hob upside down, place it on a flat surface.
3. In order to avoid the foreign substances and liquids penetrate between the hob and the counter, please apply the putty supplied in the package on the contours of the lower housing of the hob but make sure that the putty does not overlap.
4. Fill the corners by forming bends at the corners as illustrated in the figure. Form as much bend as required to fill the gap in the corners.



Make sure that the skirting sections on the lower housing of the hob are filled with putty.

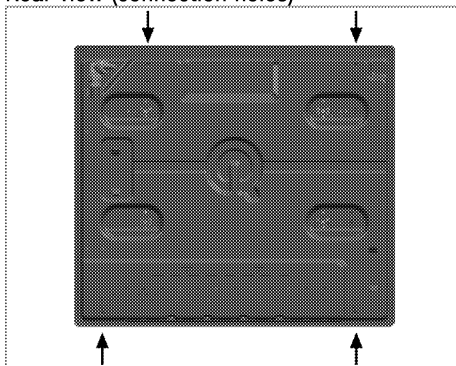
5. Turning the hob again, align and place it on the counter.
6. You can secure your hob to the counter by using the clamp and the screws supplied.



* min. 20 & max. 40 mm

- 1 Hob
- 2 Screw
- 3 Installation clamp
- 4 Counter
- 5 Putty

Rear view (connection holes)



Place the burner plates, burner plate caps and grills back to their seating after installation.



Making connections to different holes is not a good practice in terms of safety since it can damage the gas and electrical system.

Final check

1. Open gas supply.
2. Check gas installations for secure fitting and tightness.
3. Ignite burners and check appearance of the flame.



Flame must be blue and have a regular shape. If the flame is yellowish, check if the burner cap is seated securely or clean the burner.

Gas conversion



DANGER

Before starting any work on the gas installation, disconnect the gas supply. There is the risk of explosion!

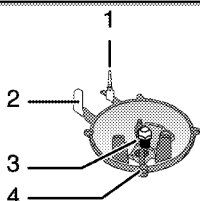
In order to change your appliance's gas type, change all injectors and make flame adjustment for all valves at reduced flow rate position.

Exchange of injector for the burners

1. Take off burner cap and burner body.
2. Unscrew injectors by turning the counter-clockwise.
3. Fit new injectors.
4. Check all connections for secure fitting and tightness.



New injectors have their position marked on their packing or injector table on *Injector table*, page 5 can be referred to.



- 1 Flame failure device (model dependant)
- 2 Spark plug
- 3 Injector
- 4 Burner



Unless there is an abnormal condition, do not attempt to remove the gas burner taps. You must call an Authorised service agent if it is necessary to change the taps.

Reduced gas flow rate setting for hob taps

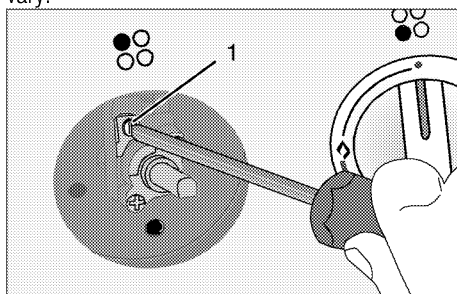
1. Ignite the burner that is to be adjusted and turn the knob to the reduced position.
2. Remove the knob from the gas tap.
3. Use an appropriately sized screwdriver to adjust the flow rate adjustment screw.

For LPG (Butane - Propane) turn the screw clockwise. For the natural gas, you should turn the screw **counter-clockwise** once.

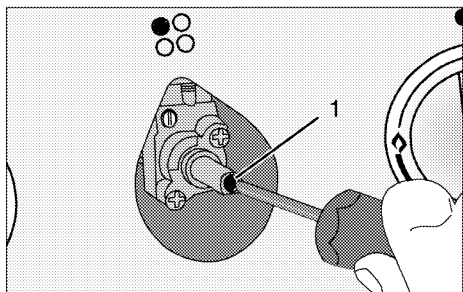
» The normal length of a straight flame in the reduced position should be 6-7 mm.

4. If the flame is higher than the desired position, turn the screw clockwise. If it is smaller turn anticlockwise.
5. For the last control, bring the burner both to high-flame and reduced positions and check whether the flame is on or off.

Depending on the type of gas tap used in your appliance the adjustment screw position may vary.



- 1 Flow rate adjustment screw



1 Flow rate adjustment screw

i If the gas type of the unit is changed, then the rating plate that shows the gas type of the unit must also be changed.

Compliance with EEE Directive

This product does not contain harmful and forbidden materials described in the "Directive on the Restriction of the Use of Certain Hazardous Substances in Electrical and Electronic Equipment" (EEE) issued by the T.R. Ministry of Environment and Forest.

Complies with the EEE Directive.

Package information

Packaging materials of the product are manufactured from recyclable materials in accordance with our National Environment Regulations.

Do not dispose of the packaging materials together with the domestic or other wastes. Take them to the packaging material collection points designated by the local authorities.

Future Transportation

- Keep the product's original carton and transport the product in it. Follow the instructions on the carton. If you do not have the original carton, pack the product in bubble wrap or thick cardboard and tape it securely.
- Secure the caps and pan supports with adhesive tape.

i Check the general appearance of your product for any damages that might have occurred during transportation.

Disposing of the old product



Dispose of the old product in an environmentally friendly manner.

This equipment bears the selective sorting symbol for waste electrical and electronic equipment (WEEE). This means that this equipment must be handled pursuant to European Directive 2002/96/EC in order to be recycled or dismantled to minimize its impact on the environment. For further information, please contact local or regional authorities.

Refer to your local dealer or solid waste collection centre in your area to learn how to dispose of your product.

Before disposing of the product, cut off the power cable plug and make the door lock (if any) unusable to avoid dangerous conditions to children.

4 Preparation

Tips for saving energy

The following information will help you to use your appliance in an ecological way, and to save energy:

- Defrost frozen dishes before cooking them.
- Use pots/pans with cover for cooking. If there is no cover, energy consumption may increase 4 times.
- Select the burner which is suitable for the bottom size of the pot to be used. Always select the correct pot size for your dishes. Larger pots require more energy.

Initial use

First cleaning of the appliance



The surface might get damaged by some detergents or cleaning materials.

Do not use aggressive detergents, cleaning powders/creams or any sharp objects during cleaning.

Do not use harsh abrasive cleaners or sharp metal scrapers to clean the oven door glass since they can scratch the surface, which may result in shattering of the glass.

1. Remove all packaging materials.
2. Wipe the surfaces of the appliance with a damp cloth or sponge and dry with a cloth.

5 How to use the hob

General information about cooking



DANGER

Never fill the pan with oil more than one third of it. Do not leave the hob unattended when heating oil.

Overheated oils bring risk of fire.

Never attempt to extinguish a possible fire with water! When oil catches fire, cover it with a fire blanket or damp cloth.

Turn off the hob if it is safe to do so and call the fire department.

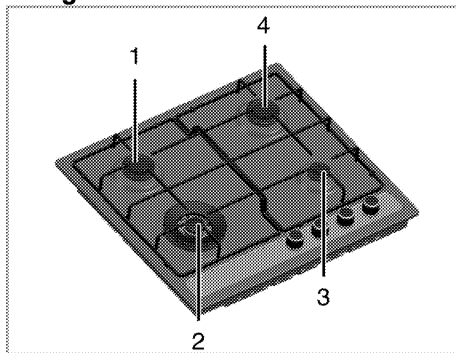
- Before frying foods, always dry them well and gently place into the hot oil. Ensure complete thawing of frozen foods before frying.
- Do not cover the vessel you use when heating oil.
- Place the pans and saucepans in a manner so that their handles are not over the hob to prevent heating of the handles. Do not place unbalanced and easily tilting vessels on the hob.
- Do not place empty vessels and saucepans on cooking zones that are switched on. They might get damaged.
- Operating a cooking zone without a vessel or saucepan on it will cause damage to the product. Turn off the cooking zones after the cooking is complete.
- As the surface of the product can be hot, do not put plastic and aluminum vessels on it. Such vessels should not be used to keep foods either.
- Use flat bottomed saucepans or vessels only.
- Put appropriate amount of food in saucepans and pans. Thus, you will not have to make any unnecessary cleaning by preventing the dishes from overflowing. Do not put covers of saucepans or pans on cooking zones. Place the saucepans in a manner so that they are centered on the cooking zone. When you want to move the saucepan onto another cooking zone, lift and place it onto

the cooking zone you want instead of sliding it.

Gas cooking

- Size of the vessel and the flame must match each other. Adjust the gas flames so that they will not extend the bottom of the vessel and center the vessel on saucepan carrier.

Using the hobs



- 1 Normal burner 14-20 cm
- 2 Wok burner 22-30 cm
- 3 Auxiliary burner 12-18 cm
- 4 Normal burner 14-20 cm is list of advised diameter of pots to be used on related burners.

Large flame symbol indicates the highest cooking power and small flame symbol indicates the lowest cooking symbol. In turned off position (top), gas is not supplied to the burners.

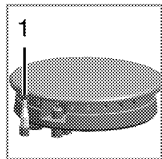
Igniting the gas burners

1. Keep burner knob pressed.
 2. Turn it counter clockwise to large flame symbol.
- » Gas is ignited with the spark created.
3. Adjust it to the desired cooking power.

Turning off the gas burners

Turn the keep warm zone knob to off (upper) position.


Gas shut off safety system (in models with thermic component)



1. Gas shut off safety

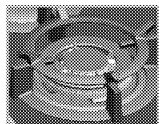
As a counter measure against blow out due to fluid overflows at burners, safety mechanism trips and shuts off the gas.

- Push the knob inwards and turn it counter clockwise to ignite.
- After the gas ignites, keep the knob pressed for 3-5 seconds more to engage the safety system.
- If the gas does not ignite after you press and release the knob, repeat the same procedure by keeping the knob pressed for 15 seconds.



DANGER
Release the button if the burner is not ignited within 15 seconds.
Wait at least 1 minute before trying again.
There is the risk of gas accumulation and explosion!

Wok burner



Wok burners help you to cook faster. Wok, which is particularly used in Asian kitchen is a kind of deep and flat fry-pan made of sheet metal, which is used to cook minced vegetable and meat at strong flame in a short time.

Since meals are cooked at strong flame and in a very short time in such fry-pans that conduct the heat rapidly and evenly, the nutrition value of the food is preserved and vegetables remain crispy. You can use wok burner for regular saucepans as well.

If you want to use regular saucepan on wok burner, you must take out the wok fry-pan carrier from the hob.

6 Maintenance and care

General information

Service life of the product will extend and the possibility of problems will decrease if the product is cleaned at regular intervals.



DANGER

Disconnect the product from mains supply before starting maintenance and cleaning works.

There is the risk of electric shock!



DANGER

Allow the product to cool down before you clean it.

Hot surfaces may cause burns!

- Clean the product thoroughly after each use. In this way it will be possible to remove cooking residues more easily, thus avoiding these from burning the next time the appliance is used.
- No special cleaning agents are required for cleaning the product. Use warm water with washing liquid, a soft cloth or sponge to clean the product and wipe it with a dry cloth.
- Always ensure any excess liquid is thoroughly wiped off after cleaning and any spillage is immediately wiped dry.
- Do not use cleaning agents that contain acid or chloride to clean the stainless or inox surfaces and the handle. Use a soft cloth with a liquid detergent (not abrasive) to wipe those parts clean, paying attention to sweep in one direction.



The surface might get damaged by some detergents or cleaning materials.

Do not use aggressive detergents, cleaning powders/creams or any sharp objects during cleaning.

Do not use harsh abrasive cleaners or sharp metal scrapers to clean the oven door glass since they can scratch the surface, which may result in shattering of the glass.

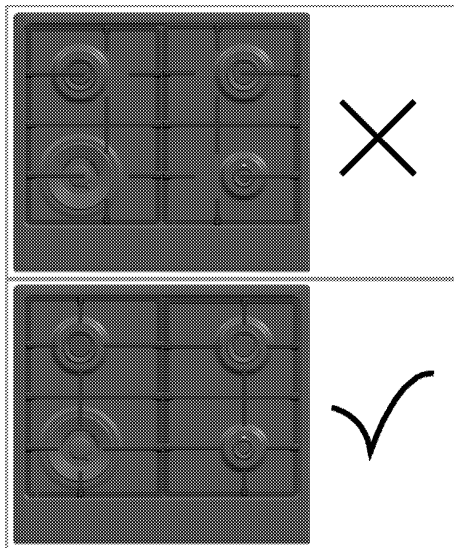


Do not use steam cleaners to clean the appliance as this may cause an electric shock.

Cleaning the hob

Gas hobs

1. Remove and clean the saucepan carriers and burner caps.
2. Clean the hob.
3. Install the burner caps and make sure that they are seated correctly.
4. When installing the upper grills, pay attention to place the saucepan carriers so that the burners are centered.

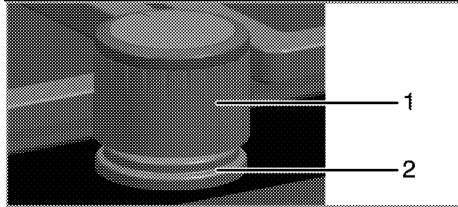


Cleaning the control panel

Clean the control panel and knobs with a damp cloth and wipe them dry.



Do not remove the control buttons/knobs to clean the control panel.
Control panel may get damaged!



- 1 Knob
- 2 Sealing element



Do not remove the sealing elements under the knobs for cleaning.

7 Troubleshooting

There is no gas.

Main gas valve is closed.	Open gas valve.
Gas pipe is bent.	Install gas pipe properly.

There is no ignition spark.

No current.	Check fuses in the fuse box.
-------------	------------------------------

Burners are not burning properly or at all.

Burners are dirty.	Clean burner components.
Burners are wet.	Dry the burner components.
Burner cap is not mounted safely.	Mount the burner cap properly.
Gas valve is closed.	Open gas valve.
Gas cylinder is empty (when using LPG).	Replace gas cylinder.



Consult the Authorised Service Agent or the dealer where you have purchased the product if you can not remedy the trouble although you have implemented the instructions in this section. Never attempt to repair a defective product yourself.

Перед началом эксплуатации прочитайте это руководство!

Уважаемый покупатель!

Мы хотели бы, чтобы вы добились наилучших результатов с изделием, изготовленным в современных производственных условиях и прошедшим строгий контроль качества. Поэтому рекомендуем вам внимательно и полностью изучить данное Руководство пользователя, прежде чем пользоваться изделием, и сохранить его для дальнейшего использования в справочных целях. Если вы передаете изделие новому владельцу, передайте ему и Руководство пользователя.

Данное Руководство пользователя поможет вам быстро и безопасно пользоваться изделием.

- Прежде чем устанавливать и включать духовой шкаф, прочитайте Руководство пользователя.
- Следует строго соблюдать инструкции по технике безопасности.
- Сохраните это Руководство пользователя под рукой для дальнейшего использования в справочных целях.
- Прочитайте также другие документы, входящие в комплект поставки изделия. Помните, что данное Руководство пользователя может быть применимо к некоторым другим моделям. Различия между моделями четко указаны в руководстве.

Пояснения к символам

В данном Руководстве пользователя используются следующие символы:



Важная информация или полезные советы по использованию.



Предупреждения о ситуациях, опасных для жизни людей и имущества.



Предупреждение об опасности поражения электрическим током.



Предупреждение об опасности пожара.



Предупреждение о горячих поверхностях.

Производитель: компания Арчелик (Arcelik A.S.)
Юридический адрес: Караач Джадеси № 2-6 34445
Сютлюдже/Стамбул/Турция

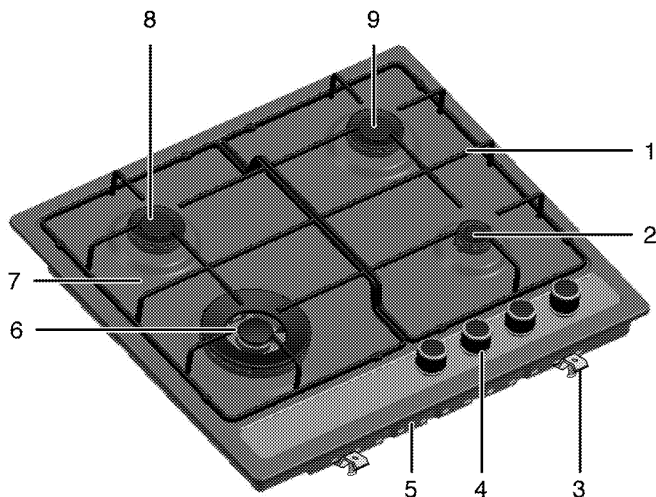


Произведено в Турции

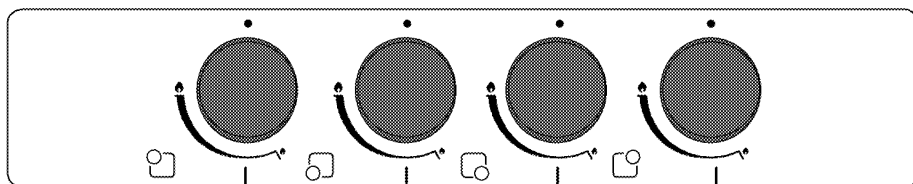
<u>1</u> Общие сведения	<u>4</u>	<u>4</u> Подготовка к эксплуатации	<u>16</u>
Обзор	4	Рекомендации по экономии электроэнергии	16
Технические характеристики	5	Подготовка к эксплуатации	16
Принадлежности	5	Очистка прибора перед началом эксплуатации	16
Характеристики горелок	6		
<u>2</u> Правила техники безопасности	<u>7</u>	<u>5</u> Правила эксплуатации варочной панели	<u>17</u>
Общие правила техники безопасности	7	Общие сведения о приготовлении пищи ..	17
Безопасность детей	7	Эксплуатация варочных панелей	17
Правила техники безопасности при работе с газовым оборудованием	8		
Использование по назначению	9	<u>6</u> Уход и техническое обслуживание	<u>19</u>
<u>3</u> Установка	<u>10</u>	Общие сведения	19
До начала установки	10	Чистка варочной панели	19
Установка и подключение	11	Чистка панели управления	20
Переход на другой вид газа	13		
Утилизация	15	<u>7</u> Поиск и устранение неисправностей	<u>21</u>
Утилизация упаковочных материалов	15		
Для будущей транспортировки	15		
Утилизация старого изделия	15		

1 Общие сведения

Обзор



- | | | | |
|---|-------------------------|---|-------------------------------------|
| 1 | Подставка для посуды | 6 | Конфорка для посуды с выпуклым дном |
| 2 | Дополнительная конфорка | 7 | Крышка конфорки |
| 3 | Монтажный зажим | 8 | Нормальная конфорка |
| 4 | Панель управления | 9 | Нормальная конфорка |
| 5 | Основная крышка | | |



- | | | | |
|---|--|---|---|
| 1 | Нормальная конфорка Задняя левая | 3 | Дополнительная конфорка Передняя правая |
| 2 | Конфорка для посуды с выпуклым дном Передняя левая | 4 | Нормальная конфорка Задняя правая |

Технические характеристики

Напряжение/частота	220-230 В ~ 50 Гц
Тип кабеля/сечение	H05RR-FG 3 x 0,75 мм ²
Длина кабеля	макс. 2 м
Категория газового прибора	II 2H3B/P
Тип газа/давление	NG G 20/20 мбар
Общий расход газа	7,8 кВт
Переход на тип газа/давление [§]	LPG G 30/30 мбар
Габариты (высота / ширина / глубина)	99 мм/580 мм/510 мм
Установочные размеры (ширина/глубина)	560 мм/480-490 мм
Конфорки	
Задняя левая	Нормальная конфорка
Мощность	1750 Вт
Передняя левая	Конфорка для посуды с выпуклым дном
Мощность	3300 Вт
Передняя правая	Дополнительная конфорка
Мощность	1000 Вт
Задняя правая	Нормальная конфорка
Мощность	1750 Вт



При усовершенствовании качества продукции технические характеристики могут быть изменены без предварительного уведомления.



Иллюстрации в данном руководстве являются схематичными и могут несколько отличаться от конкретного изделия.



Значения, указанные на этикетках изделия или в сопроводительной документации, получены в лабораторных условиях согласно соответствующим стандартам. Эти данные могут быть иными в зависимости от условий эксплуатации изделия.

Принадлежности



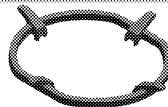
Изделие комплектуется различным набором дополнительных принадлежностей в зависимости от модели. Некоторые дополнительные принадлежности, описанные в руководстве пользователя, в комплекте этого изделия могут отсутствовать.

Решетка для кофейника



Предназначена для установки кофейника.

Подставка для подогрева тарелок



Предназначена для установки посуды с выпуклым дном.

Характеристики горелок

Расположение конфорки	1750 Вт Задняя левая	3300 Вт Передняя левая	1000 Вт Передняя правая	1750 Вт Задняя правая
Тип газа / давле- ние				
G 20/20 мбар	97	132	78	97
G 30/28-30 мбар	66	92	50	66

2 Правила техники безопасности

В данном разделе содержатся инструкции по технике безопасности, которые помогут вам избежать травм и повреждений. В случае невыполнения этих инструкций, гарантия аннулируется.

Общие правила техники безопасности

- Этот прибор не предназначен для использования лицами с ограниченными физическими, сенсорными или умственными способностями, а также лицами, не имеющими достаточного опыта и знаний (в том числе детьми), если они не находятся под наблюдением лица, ответственного за их безопасность, или не действуют по его указаниям относительно использования данного изделия. Следите за тем, чтобы дети не портили прибор.
- Подключайте прибор к розетке или линии с заземлением, защищенную предохранителем, мощность которого соответствуют данным, приведенным в таблице "Технические характеристики". Установку заземления должен выполнять квалифицированный специалист (при использовании прибора с трансформатором или без него). Наша компания не несет ответственности за ущерб, понесенный вследствие использования прибора без заземления, выполненного в соответствии с местными нормами и правилами.
- Во избежание несчастных случаев, при повреждении шнура питания он должен быть заменен производителем, его специалистом по сервису или лицом, имеющим аналогичную квалификацию.
- Не пользуйтесь неисправным прибором, а также прибором с заметными повреждениями.
- Не ремонтируйте прибор и не вносите в него никаких изменений. Однако можно самостоятельно устранять неисправно-

сти, не требующие ремонта прибора или замены деталей. См. раздел *Поиск и устранение неисправностей*, стр. 21

- Запрещено мыть прибор водой! Это может привести к поражению электрическим током.
- Не пользуйтесь прибором, находясь под воздействием алкоголя или лекарственных препаратов, снижающих скорость реакции или нарушающих координацию движений.
- Прежде чем приступать к установке, техническому обслуживанию, чистке и ремонту, изделие необходимо отключить от электросети.
- Будьте осторожны при использовании спиртных напитков в приготавливаемых блюдах. При высокой температуре спирт испаряется, и при соприкосновении с горячими поверхностями может загореться и вызвать пожар.
- Не разогревайте в духовом шкафу продукты в закрытых жестяных или стеклянных банках. Внутри банок может повыситься давление, что приведет к взрыву.
- Не располагайте рядом с прибором легковоспламеняющиеся материалы, так как во время работы его боковые поверхности сильно нагреваются.
- Следите за тем, чтобы вентиляционные отверстия были полностью открыты.
- После использования обязательно выключайте прибор.



Прибор должен устанавливаться квалифицированным специалистом в соответствии с действующими нормами и правилами. В противном случае гарантия аннулируется.

Безопасность детей

- Электрическое и газовое оборудование представляют опасность для детей. Во время работы духового шкафа не до-

пускайте к нему детей, а также не разрешайте им играть с ним.

- Не подпускайте детей к изделии во время его работы, а также, пока оно не остыло, так как внешние части изделия сильно нагреваются.
- Не храните над изделием предметы, которые дети могут попытаться достать.
- Упаковочные материалы опасны для детей. Храните упаковочные материалы в недоступном для детей месте. Утилизируйте все упаковочные материалы в соответствии с нормами по охране окружающей среды.

Правила техники безопасности при работе с газовым оборудованием

- Все работы с газовыми приборами и системами должны выполнять только квалифицированные специалисты, имеющие право на выполнение таких работ.
- "Перед установкой проверьте, соответствуют ли параметры местной распределительной сети (давление и тип газа) настройкам прибора."
- "Это устройство не подсоединяется к устройству для удаления продуктов горения. Это устройство не подсоединяется к устройству для удаления продуктов горения. Установка и подключение прибора должны выполняться в соответствии с действующими нормами и правилами. Особое внимание следует уделить требованиям к вентиляции" (см. раздел *До начала установки, стр. 10*).
- "ВНИМАНИЕ! Во время эксплуатации газовой плиты она выделяет тепло, влагу и продукты сгорания в помещении, в котором установлена. Убедитесь, что кухня хорошо проветривается, в особенности во время использования прибора: держите открытыми отверстия, через которые осуществляется естественная вентиляция, или установите прибор для искусственной вентиляции (механическую наплитную вытяжку).

Длительное интенсивное использование прибора может требовать дополнительной вентиляции, например, увеличения уровня мощности механической вытяжки, если она имеется»."

- Необходимо регулярно проверять исправность газовых приборов и систем. Регулятор, шланг и его хомут следует проверять регулярно и заменять в сроки, рекомендованные производителем, или по мере необходимости.
- Регулярно очищайте газовые горелки. Горелка должна гореть ровным голубым пламенем.
- В газовых приборах необходимо обеспечить полное сжигание газа, так как при неполном сгорании газа выделяется угарный газ (CO). Угарный газ (монооксид углерода) - это очень ядовитый бесцветный газ без запаха, который даже в очень малых дозах вызывает отравление и смерть.
- Узнайте у своего поставщика газа телефон местной аварийной службы газа, а также ознакомьтесь с мерами предосторожности, которые необходимо принимать при обнаружении запаха газа.

Меры предосторожности при обнаружении запаха газа



ОПАСНО!

Не пользуйтесь открытым пламенем и не курите.

Не пользуйтесь электрическими выключателями (например, выключателем освещения, дверным звонком и т.д.).

Не пользуйтесь стационарными и мобильными телефонами.

Остерегайтесь взрыва и отравления газом!

1. Перекройте все краны газовых приборов и газовых счетчиков
2. Откройте окна и двери.
3. Проверьте все трубы и соединения на герметичность. Если запах газа не исчезает, покиньте помещение.
4. Предупредите соседей.
5. Вызовите пожарную команду. Звоните по телефонному аппарату, который находится за пределами дома.
6. Не входите в помещение, пока вам не сообщат, что это безопасно.

Использование по назначению

Данное изделие предназначено исключительно для бытового использования. Запрещается использовать прибор в коммерческих целях.

"ВНИМАНИЕ! Данное изделие предназначено исключительно для приготовления пищи. Его запрещено использовать для других целей, например, для обогрева помещения." Производитель не несет ответственности за повреждения в результате использования изделия не по назначению или неправильного обращения с ним.

3 Установка

Прибор должен устанавливаться квалифицированным специалистом в соответствии с действующими нормами и правилами. В противном случае гарантия аннулируется. Производитель не несет ответственности за повреждения в результате выполнения работ лицами, не имеющими соответствующей квалификации. Это может привести к аннулированию гарантии.



Подготовка места установки, электрического и газового оборудования обеспечивается покупателем.



ОПАСНО!

Бытовой прибор следует устанавливать в соответствии со всеми местными нормами по подключению газового и/или электрического оборудования.



ОПАСНО!

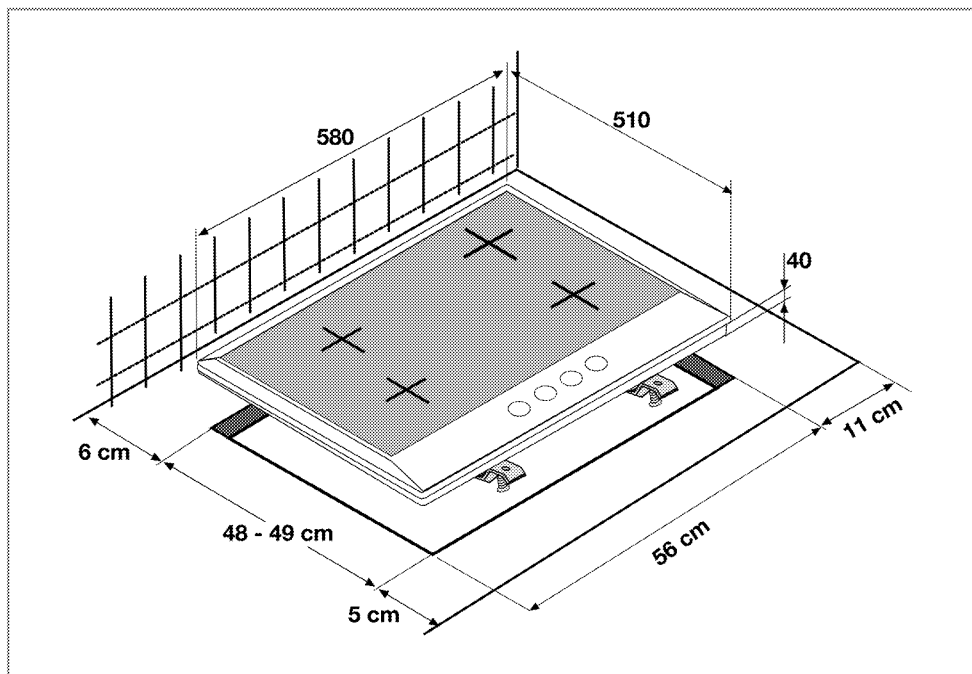
Прежде чем приступить к установке, визуально проверьте отсутствие внешних дефектов духового шкафа. При наличии дефектов не устанавливайте его. Поврежденные электроприборы представляют собой угрозу вашей безопасности.

- Снимите все упаковочные материалы и фиксаторы для транспортировки.
- Используемые поверхности, синтетические покрытия и клеи должны быть термостойкими (не менее 100 °С).
- Столешница должна быть выровнена по уровню и закреплена.
- Сделайте вырез в столешнице в соответствии с установочными размерами варочной панели.

До начала установки

Варочная панель предназначена для установки в стандартную столешницу фабричного изготовления. Между бытовой техникой, стенами кухни и мебелью следует оставить определенное безопасное расстояние. См. рисунок (размеры приведены в миллиметрах).

- Плита может также стоять отдельно. Обеспечьте свободное расстояние не менее 750 мм от поверхности плиты до поверхностей над ней.
- В случае установки надплитного воздухоочистителя соблюдайте инструкции его производителя в отношении высоты монтажа устройства (мин. 650 мм).



Вентиляция помещения

В помещении должно быть открывающееся окно, а в некоторых помещениях необходимо также наличие постоянной вентиляции. Забор воздуха для процесса горения производится в помещении, и уходящие газы выделяются непосредственно в помещение. Поэтому для безопасной эксплуатации устройства необходимо обеспечить хорошую вентиляцию помещения. Если в помещении нет окна или двери, пригодных для вентиляции, необходимо установить дополнительные средства вентиляции.

Устройство может устанавливаться в кухне, в кухне-столовой или в жилой комнате, но не в помещении с ванной или душем. Плиту запрещается устанавливать в жилой комнате площадью менее 20 м².³

Не устанавливайте плиту в помещении, находящемся ниже уровня поверхности, если оно не выходит на уровень поверхности хотя бы одной стороной.


Размер помещения	Вентиляционный проем
менее 5 м ³	не менее 100 см ²
5 м ³ до 10 м ³	не менее 50 см ²
более 10 м ³ /ден	не требуется
В подвальном помещении	не менее 65 см ²


Установка и подключение

- Бытовой прибор следует устанавливать в соответствии со всеми местными нормами по подключению газового и электрического оборудования.


Подключение к электросети


Подключайте прибор к розетке или линии с заземлением, защищенную предохранителем, мощность которого соответствуют данным, приведенным в таблице "Технические характеристики". Установку заземление должен выполнять квалифицированный специалист (при использовании прибора с трансформатором или без него). Наша компания не несет ответственности за ущерб, понесенный вследствие использования прибора без заземления, выполненного в соответствии с местными нормами и правилами.

 **ОПАСНО!**
Подключение прибора к электросети должен выполнять квалифицированный специалист, имеющий право на выполнение таких работ. Гарантийный период начинается только после правильной установки. Производитель не несет ответственности за повреждения в результате выполнения работ лицами, не имеющими соответствующей квалификации.

 **ОПАСНО!**
Шнур питания не должен быть сдавлен, изогнут или зажат, а также не должен соприкасаться с нагревающимися компонентами изделия. Замену поврежденного шнура питания должен выполнять квалифицированный электрик. В противном случае это может привести к поражению электрическим током, короткому замыканию или возгоранию!


- Подключение должно выполняться в соответствии с национальными нормами.
- Параметры электрической сети должны соответствовать данным, указанным на паспортной табличке прибора. Паспортная табличка находится на задней стороне корпуса прибора.
- Шнур питания прибора должен соответствовать параметрам, указанным в таблице "Технические характеристики".


 **ОПАСНО!**
Перед выполнением каких-либо электромонтажных работ отключите прибор от электрической сети. Существует риск поражения электрическим током!

 К штепсельной вилке шнура питания после установки должен быть обеспечен легкий доступ (не прокладывайте шнур над варочной поверхностью).


Включите шнур питания в розетку.

Подключение газа

 **ОПАСНО!**
Подключение прибора к электрической сети должен выполнять квалифицированный специалист, имеющий право на выполнение таких работ. Непрофессиональный ремонт может привести к взрыву или отравлению газом! Производитель не несет ответственности за повреждения в результате выполнения работ лицами, не имеющими соответствующей квалификации.

 **ОПАСНО!**
Перед выполнением каких-либо работ по монтажу газовых приборов перекройте подачу газа. Это может привести к взрыву!

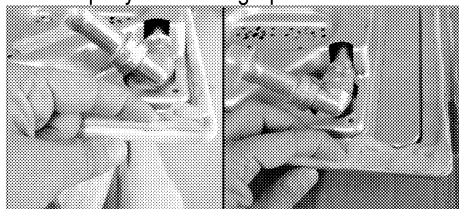
- Тип и давление газа, на которые отрегулирован прибор, указаны на паспортной таблице или маркировке.

 На ваше изделие может подаваться природный газ (NG).

- Перед установкой прибора необходимо подготовить подвод природного газа.
- К выпускному отверстию источника газа должна быть присоединена гибкая подводка для подвода газа к прибору, закрытая заглушкой. При установке прибора представитель службы газа вынет заглушку и присоединит прибор к газовой сети с помощью муфты.
- Газовый вентиль должен находиться в легкодоступном месте.
- Если впоследствии возникнет необходимость перевести прибор на другой вид газа, обратитесь в фирменный сервисный центр для получения консультации о том, как выполнить такой переход.

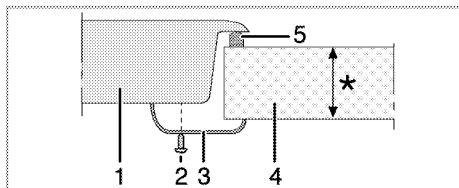
Инструкция по монтажу

1. Снимите с варочной панели горелки, накладки горелок и решетки.
2. Переверните варочную панель и положите ее на ровную поверхность.
3. Для предотвращения попадания посторонних веществ и жидкостей между варочной панелью и столешницей перед установкой нанесите на столешницу герметик из комплекта поставки по контуру нижней части корпуса варочной панели, не допуская при этом наложения слоев герметика.
4. Заполните углы формовочными дугами, как показано на рисунке. Согните дугу, насколько необходимо, чтобы заполнить зазор в углах./Paragraph



i Приплинтусовые секции внизу корпуса варочной панели должны быть заполнены герметиком./Paragraph

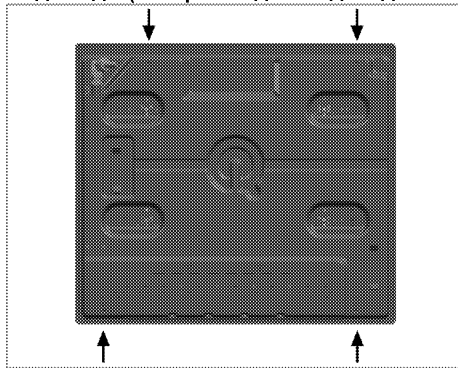
5. Снова переверните варочную панель, выровняйте и расположите ее на столешнице.
6. Закрепите варочную панель в столешнице с помощью прилагаемых к ней монтажных зажимов и винтов.



* мин. 20 мм - макс. 40 мм

- 1 Варочная панель
- 2 Винт
- 3 Монтажный зажим
- 4 Столешница
- 5 Герметик

Вид сзади (отверстия для подсоединения)



После окончания установки вставьте на место конфорки, накладки конфорок и решетки.

i Не рекомендуется использовать для присоединения другие отверстия, так при этом можно повредить газовую и электрическую системы.

Окончательная проверка

1. Откройте подачу газа.
2. Проверьте места подключения газа на надежность закрепления и герметичность.
3. Зажгите горелки и проверьте внешний вид пламени.

i Пламя должно быть голубым и иметь обычную форму. Если пламя имеет желтоватый оттенок, проверьте положение накладки горелки или прочистите горелку.


Переход на другой вид газа

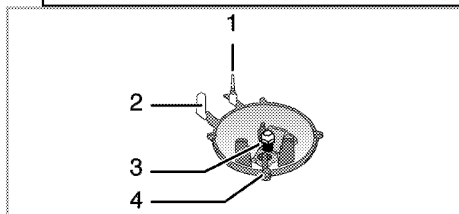
! ОПАСНО!
Перед выполнением каких-либо работ по монтажу газовых приборов перекройте подачу газа.
Это может привести к взрыву!

Для перехода на другой вид газа необходимо заменить все форсунки прибора и отрегулировать все краны для уменьшения подачи газа.


Замена форсунок в горелках

1. Снимите накладку горелки и выньте корпус горелки.
2. Вывинтите форсунки, поворачивая против часовой стрелки.
3. Вставьте новые форсунки.
4. Проверьте соединения на надежность закрепления и герметичность.

 Расположение новых форсунок указано на упаковке или в таблице на *Характеристике горелок*, стр. 5.



- 1 Устройство газ-контроля (в зависимости от модели)
- 2 Свеча зажигания
- 3 Форсунка
- 4 Горелка

 Не снимайте газовые краны горелок без особой необходимости. В случае необходимости замены кранов обращайтесь только в фирменный сервисный центр.

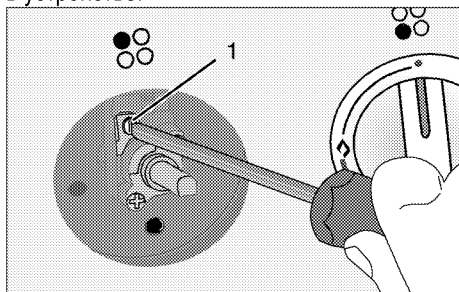
Регулировка газовых кранов для уменьшения подачи газа

1. Зажгите горелку, которую нужно отрегулировать, и установите ручку регулятора в положение минимального пламени.
2. Снимите ручку регулятора с газового крана.
3. К винту регулировки подачи газа примените отвертку соответствующего размера.

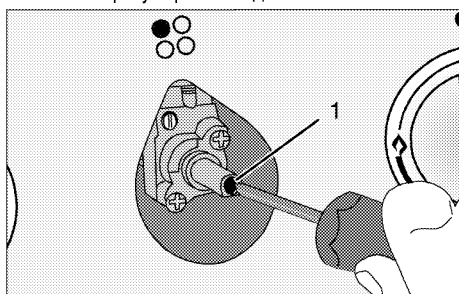
Для сжиженного нефтяного газа (бутан-пропан) следует повернуть винт по часовой стрелке. Для природного газа следует повернуть винт на один оборот **против часовой стрелки**.

- » Нормальная высота прямого пламени при установке регулятора в положение минимального пламени должна составлять 6-7 мм.
4. Если пламя выше, чем нужно, поверните винт по часовой стрелке, если ниже – поверните в противоположную сторону.
 5. В качестве заключительной проверки установите регулятор конфорки в положение максимального и минимального пламени и проверьте воспламенение и выключение огня.


Положение винта регулировки подачи зависит от типа газового вентиля, используемого в устройстве.



- 1 Винт регулировки подачи газа



- 1 Винт регулировки подачи газа

 При замене типа газа необходимо также заменить и паспортную табличку прибора, содержащую информацию о потребляемом газе.

Утилизация

Утилизация упаковочных материалов

Упаковочные материалы опасны для детей. Храните упаковочные материалы в безопасном и недоступном для детей месте

Упаковочные материалы изделия изготовлены из материалов, подлежащих вторичной переработке. Утилизируйте их соответствующим образом и сортируйте согласно инструкций по обращению с отходами, подлежащими вторичной переработке. Не утилизируйте их вместе с обычными бытовыми отходами.

Для будущей транспортировки

- Сохраните оригинальную упаковочную коробку и перевозите прибор в ней. Следуйте указаниям, нанесенным на упаковке. Если оригинальная упаковочная коробка не сохранилась, заверните изделие в пузырчатую упаковку или поместите в плотный картон. Надежно заклейте клейкой лентой.
- Закрепите накладки горелок и подставки для посуды клейкой лентой.



Осмотрите прибор снаружи на предмет возможных повреждений при транспортировке.

Утилизация старого изделия



Утилизируйте старое изделие экологически безопасным способом.

Данное изделие имеет символ отдельной сортировки отходов электрического и электронного оборудования (WEEE). Это означает, что с данным оборудованием необходимо обращаться в соответствии с Европейской директивой 2002/96/ЕС, чтобы отрицательное воздействие на окружающую среду при его переработке или разборке сводилось к минимуму. Для получения дополнительной информации обращайтесь в местные или региональные органы власти.

Чтобы узнать о порядке утилизации вашего изделия, обратитесь к местному дилеру или

в пункт сбора твердых отходов вашего региона.

Прежде чем утилизировать изделие, отрежьте вилку шнура питания и выведите из строя замок дверцы (если он имеется), чтобы не создавать опасных ситуаций для детей.

4 Подготовка к эксплуатации

Рекомендации по экономии электроэнергии

Эти рекомендации помогут вам использовать изделие экологически чистым способом и экономить электроэнергию.

- Размораживайте замороженные продукты перед приготовлением.
- Готовьте пищу в закрытой посуде. При приготовлении в открытой посуде энергопотребление может возрасти в 4 раза.
- Выбирайте конфорку соответственно размеру дна посуды. Обязательно выбирайте посуду соответственно объему приготовляемого блюда. Чем больше объем посуды, тем выше энергопотребление.

Подготовка к эксплуатации

Очистка прибора перед началом эксплуатации



Некоторые моющие средства и чистящие материалы могут повредить поверхность.

Не используйте для чистки агрессивные моющие средства, чистящие порошки/кремы, а также острые предметы.

1. Снимите все упаковочные материалы.
2. Протрите поверхность прибора влажной тканью или губкой и вытрите насухо.

5 Правила эксплуатации варочной панели

Общие сведения о приготовлении пищи



ОПАСНО!

Не заполняйте кастрюлю растительным маслом более чем на одну треть. При нагревании масла не оставляйте варочную панель без присмотра. Остерегайтесь возгорания раскаленных масел.

Не тушите огонь водой! При возгорании масла накройте посуду одеялом или влажной тканью. По возможности выключите варочную панель и позвоните в пожарную службу.

- Перед жареньем продукты нужно обязательно обсушивать. Опускайте продукты в горячий жир с осторожностью. Замороженные продукты перед жареньем следует полностью разморозить.
- Посуду, в которой разогревается жир, накрывать нельзя.
- Посуду следует ставить на плиту таким образом, чтобы ручки не нагревались над горячей поверхностью плиты. Не ставьте на плиту неустойчивую посуду, которая легко опрокидывается.
- Не ставьте на включенные конфорки пустую посуду – это может привести к ее повреждению.
- Не оставляйте включенными конфорки, на которых нет посуды – это может привести к повреждению плиты. Обязательно выключайте конфорки после окончания приготовления пищи.
- Не ставьте на плиту пластмассовую или алюминиевую посуду, так как на горячей поверхности они могут расплавиться. Такую посуду также не следует использовать для хранения пищевых продуктов.
- Можно использовать только посуду с плоским дном.
- Размер посуды должен соответствовать количеству продуктов. Тогда продукты

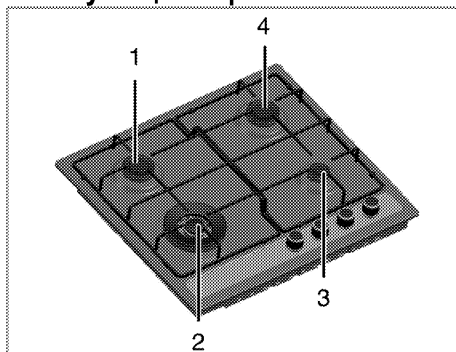
не будут выплескиваться из посуды, и не придется лишний раз мыть плиту. Не кладите на конфорки крышки кастрюль.

Размещайте посуду по центру конфорки. Если нужно переместить посуду на другую конфорку, поднимите ее и переставьте. Ни в коем случае не передвигайте посуду по поверхности плиты.

Приготовление пищи на газовой конфорке

- Диаметр пламени должен соответствовать размеру посуды. Пламя газовой конфорки следует регулировать таким образом, чтобы оно не выходило за пределы дна посуды. Посуду следует ставить по центру конфорки.

Эксплуатация варочных панелей



- 1 Нормальная конфорка 14-20 см
- 2 Конфорка для посуды с выпуклым дном 22-30 см
- 3 Дополнительная конфорка 12-18 см
- 4 Нормальная конфорка 14-20 см список рекомендованных диаметров посуды для использования на соответствующих конфорках.

Большой символ пламени соответствует максимальному уровню мощности, а маленький символ пламени – минимальному. В положении «выключено» (верхняя точка) подача газа к горелкам прекращается.

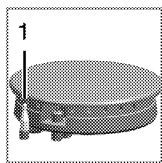
Розжиг газовых горелок

1. Прижмите регулятор горелки и
 2. поверните его против часовой стрелки в сторону большого символа пламени.
- » При этом вспыхнет искра, и газ загорится.
3. Установите нужный уровень мощности.

Выключение газовых горелок

Поверните регулятор зоны подогрева в положение «Выключено» (вверх).

Система предотвращения утечки газа (в моделях с термопарой)



1. Система предотвращения утечки газа

Горелки снабжены предохранительным механизмом, прекращающим подачу газа, если пламя внезапно погаснет, например, его зальет жидкость.

- Для розжига прижмите регулятор и поверните его против часовой стрелки.
- Чтобы включить систему защиты, после воспламенения газа удерживайте регулятор в нажатом положении еще 3-5 секунд.
- Если после нажатия и отпускания регулятора пламя погаснет, повторите те же действия, удерживая регулятор в нажатом положении в течение 15 секунд.



ОПАСНО!

Если в течение 15 секунд розжиг горелки не произошел, отпустите кнопку.

Повторите попытку не ранее, чем через 1 минуту. Существует риск накопления газа и взрыва!

Конфорка для посуды с выпуклым дном



Конфорки для посуды с выпуклым дном позволяют ускорить процесс приготовления пищи. Сковорода вок, которая широко используется в кухне стран Азии, – это глубокая сковорода из листового металла, в которой быстро готовят мелко нарезанные овощи и мясо на сильном огне.

В такой сковороде тепло распределяется быстро и равномерно. Еду в ней готовят короткое время на сильном огне, поэтому продукты не теряют пищевую ценность, а овощи остаются сочными.

Конфорку для посуды с выпуклым дном можно также использовать для приготовления пищи в обычной посуде.

Перед тем как поставить обычную посуду на конфорку для посуды с выпуклым дном, необходимо вынуть из нее подставку для сковороды вок.

6 Уход и техническое обслуживание

Общие сведения

Регулярно выполняйте чистку прибора. Это позволит продлить срок его службы, а также избежать многих проблем.



ОПАСНО!

Перед выполнением работ по обслуживанию и чистке отключите прибор от электрической сети. Существует риск поражения электрическим током!



ОПАСНО!

Дайте изделию остыть, прежде чем приступать к чистке. Горячие поверхности могут причинить ожоги!

- Прибор следует тщательно чистить после каждого использования. Так легче удалять остатки пищи, которые могут пригореть при следующем использовании прибора.
- Для чистки прибора не требуются специальные чистящие средства. Прибор можно вымыть теплой водой с добавлением жидким моющего средства, используя мягкую ткань или губку. А затем протереть сухой тканью.
- Обязательно протирайте прибор насухо после чистки и сразу же удаляйте попавшую на него жидкость.
- Не используйте для чистки ручки и поверхностей из нержавеющей стали чистящие средства, содержащими кислоту или хлор. Эти детали можно протирать мягкой тканью, смоченной в жидком моющем средстве (без абразивных добавок), стараясь тереть в одном направлении.



Некоторые моющие средства и чистящие материалы могут повредить поверхность.

Не используйте для чистки агрессивные моющие средства, чистящие порошки/кремы, а также острые предметы.

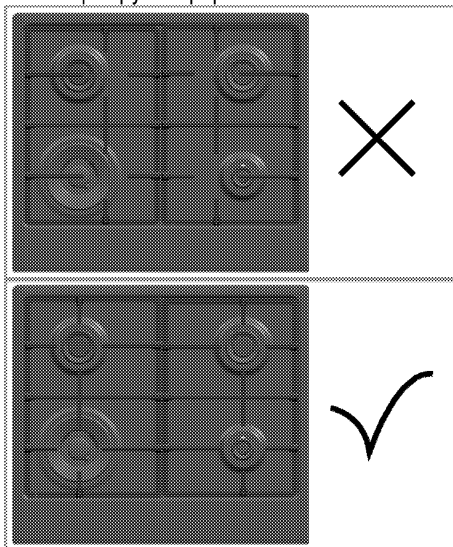


Не используйте для чистки устройства пароочистители, поскольку это может привести к поражению электрическим током.

Чистка варочной панели

Газовые варочные панели

1. Снимите и вымойте конфорки и накладки горелок.
2. Вымойте варочную панель.
3. Аккуратно установите накладки горелок на свои места.
4. При установке верхних решеток следите за тем, чтобы горелки находились точно по центру конфорок.

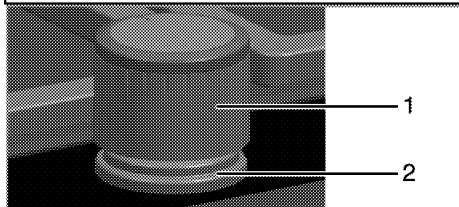


Чистка панели управления

Очистьте панель управления и ручки-регуляторы влажной тканью и вытрите насухо.



Для чистки панели управления не снимайте кнопки/ручки-регуляторы. Так можно повредить панель управления!




- 1 Ручка-регулятор
- 2 Уплотнительная прокладка



При чистке не снимайте уплотнительные прокладки под ручками-регуляторами.

7 Поиск и устранение неисправностей

Газ не поступает.	
Перекрыт общий газовый кран.	Откройте газовый кран.
Перегиб газового шланга.	Правильно расположите газовый шланг.
При розжиге не вспыхивает искра.	
Нет тока.	Проверьте предохранители в блоке предохранителей.
Горелки плохо горят или вообще не горят.	
Горелки засорены.	Очистите компоненты горелки.
Горелки влажные.	Просушите компоненты горелки.
Накладка горелки плохо установлена.	Правильно установите накладку горелки.
Перекрыт газовый кран.	Откройте газовый кран.
Газовый баллон пуст (при использовании сжиженного газа).	Замените газовый баллон.
	Если вы не можете устранить неполадки, несмотря на выполнение инструкций, приведенных в данном разделе, обратитесь к представителю авторизованной сервисной службы. Не пытайтесь самостоятельно отремонтировать неисправный электроприбор.

Будь ласка, спочатку прочитайте цей документ.

Шановний покупець!

Сподіваємося, що цей товар, виготовлений на сучасних підприємствах і перевірений за допомогою суворих процедур контролю, допоможе вам досягнути найкращих результатів експлуатації.

Для цього рекомендуємо уважно прочитати всю інструкцію, перш ніж користуватися машиною, і зберегти її для подальшого використання з довідковою метою. Якщо ви передаєте комусь прилад, передайте й посібник користувача.

Посібник користувача допоможе вам користуватися приладом у швидкий і безпечний спосіб.

- Прочитайте посібник користувача, перш ніж встановлювати прилад та користуватися ним.
- Суворо дотримуйтеся правил техніки безпеки.
- Зберігайте цей посібник користувача в доступному місці для подальшого використання у довідкових цілях.
- Крім того, прочитайте інші документи, що входять до комплекту постачання приладу. Зверніть увагу, що цей посібник також може бути дійсним для інших моделей. У ньому чітко вказано розбіжності між моделями.

Пояснення до символів

У цьому посібнику користувача використовуються такі символи:



Важлива інформація або корисні поради з користування.



Попередження про небезпечні ситуації для життя та майна.



Попередження про ураження електричним струмом.



Попередження про ризик займання.



Попередження про гарячі поверхні.



Arçelik A.Ş.
Karaağaç caddesi No:2-6
34445 Sütlüce/Istanbul/TURKEY
Made in TURKEY

1 Загальна Інформація 4

Огляд	4
Технічні характеристики	5
Аксесуари	5
Таблиця інжекторів	5

2 Важливі правила техніки безпеки 6

Загальні правила техніки безпеки	6
Захист від дітей	6
Правила техніки безпеки для газових пристроїв	7
Призначення	7

3 Встановлення 8

До початку встановлення	8
Встановлення та підключення	9
Перехід на інший тип газу	11
Утилізація	12
Утилізація пакувальних матеріалів	12
Утилізація старого приладу	12

Утилізація старого приладу	13
----------------------------------	----

4 Підготовка 14

Поради щодо збереження електроенергії 14	
Початкове використання	14
Початкове очищення виробу	14

5 Правила експлуатації варильної панелі 15

Загальна інформація щодо приготування 15	
Використання варильних панелей	15

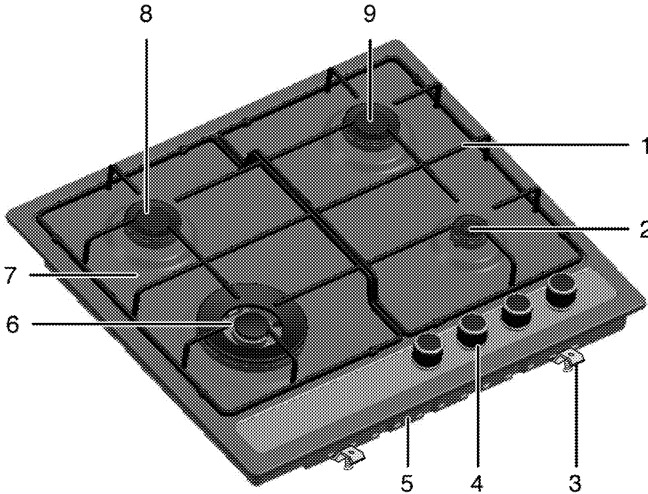
6 Догляд і технічне обслуговування 17

Загальна інформація	17
Чистка варильної панелі	17
Очищення панелі управління	18

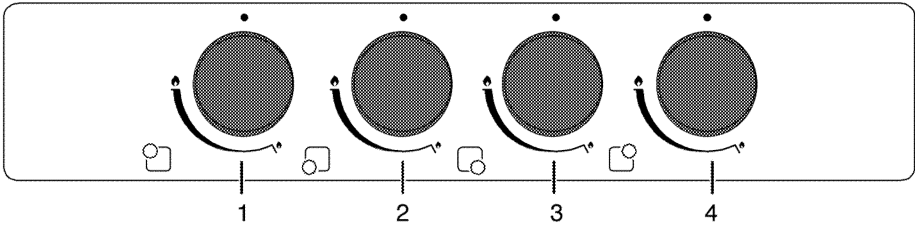
7 Пошук та усунення несправностей 19

1 Загальна Інформація

Огляд



- | | | | |
|---|----------------------|---|-------------------------------------|
| 1 | Підставка для посуду | 6 | Конфорка для посуду з випуклим дном |
| 2 | Додаткова конфорка | 7 | Панель пальника |
| 3 | Монтажний затискач | 8 | Нормальна конфорка |
| 4 | Панель управління | 9 | Нормальна конфорка |
| 5 | Основна кришка | | |



- | | | | |
|---|---|---|----------------------------------|
| 1 | Нормальна конфорка Задній лівий | 4 | Нормальна конфорка Задній правий |
| 2 | Конфорка для посуду з випуклим дном
Передній лівий | | |
| 3 | Додаткова конфорка Передній правий | | |

Технічні характеристики

Напруга/частота	220-230 В ~ 50 Гц
Тип кабелю/переріз	H05RR-FG 3 x 0,75 мм ²
Довжина кабелю	макс. 2 м
Категорія газового приладу	II зНЗВ/Р
Тип/тиск газу	NG G 20/20 мбар
Загальне споживання газу	7.8 кВт
Перехід на тип/тиск газу [§] – додатково	LPG G 30/30 мбар
Зовнішні габарити (висота/ширина/глибина)	99 мм/580 мм/510 мм
Габарити для встановлення (висота/ширина/глибина)	560 мм/480-490 мм
Конфорки	
Задній лівий	Нормальна конфорка
Живлення	1750 Вт
Передній лівий	Конфорка для посуду з випуклим дном
Живлення	3300 Вт
Передній правий	Додаткова конфорка
Живлення	1000 Вт
Задній правий	Нормальна конфорка
Живлення	1750 Вт



З метою удосконалення якості продукції технічні характеристики приладу можуть бути змінені без попереднього повідомлення.



Малюнки в цьому посібнику є схематичними і можуть не відповідати вашому виробу.



Значення, наведені на табличках машини та в супровідній документації, отримані в лабораторних умовах згідно з відповідними стандартами. Залежно від умов експлуатації та навколишнього середовища ці значення можуть змінюватися.

Аксесуари



Аксесуари, що входять до комплекту постачання, залежать від моделі виробу. Комплект постачання вашого виробу може містити не всі аксесуари, описані в цьому посібнику користувача.

Адаптер для кавника



Для кавників.

Адаптер для випуклого посуду



Для установки посуду з випуклим круглим дном.

Таблиця інжекторів

Розташування зони варильної панелі	1750 Вт Задній лівий	3300 Вт Передній лівий	1000 Вт Передній правий	1750 Вт Задній правий
Тип/тиск газу				
G 20/20 мбар	97	132	78	97
G 30/28-30 мбар	66	92	50	66

2 Важливі правила техніки безпеки

У цьому розділі наведені правила техніки безпеки, які допоможуть уникнути ризику травмування та пошкодження. Якщо не дотримуватися цих правил, усі гарантії буде анульовано.

Загальні правила техніки безпеки

- Цей прилад не призначений для використання особами (зокрема, дітьми) з фізичними, сенсорними й розумовими порушеннями, а також особами без відповідних навичок і досвіду, якщо вони не перебувають під наглядом особи, відповідальної за їхню безпеку, або яка надасть їм відповідний інструктаж щодо експлуатації приладу. Треба слідкувати за дітьми, щоб не дозволяти їм псувати техніку.
- Підключіть прилад до розетки/лінії із заземленням, захищеної плавким запобіжником відповідної ємності, як вказано в таблиці технічних характеристик. У разі використання з трансформатором чи без нього переконайтеся у наявності заземлення, виконаного кваліфікованим електриком. Наша компанія не несе відповідальності за збитки внаслідок використання приладу без заземлення відповідно до місцевих норм і правил.
- Для запобігання нещасним випадкам, якщо шнур живлення пошкоджений, його має замінити виробник, його спеціаліст з сервісу чи інша особа, котра має аналогічну кваліфікацію.
- Не користуйтеся приладом, якщо він несправний чи має видимі ознаки пошкодження.
- Не слід ремонтувати чи модифікувати прилад. Утім, ви можете самостійно усунути деякі несправності, що не передбачають ремонту чи модифікацій. Див. *Пошук та усунення несправностей*, стор. 19.

- Не мийте прилад водою! Існує ризик ураження електричним струмом!
- Не користуйтеся виробом під впливом алкоголю й/або лікарських засобів, які погіршують кмітливість і координацію рухів.
- Під час робіт зі встановлення, обслуговування, чистки й ремонту прилад слід обов'язково від'єднати від електромережі.
- Будьте обережні, коли додаєте до страв алкогольні напої. Спирт випаровується за високої температури і може призвести до пожежі, зайнявшись після контакту з гарячими поверхнями.
- Не нагрівайте в духовій шафі закриті контейнери та скляні банки. Тиск всередині банки може призвести до її вибуху.
- Перевірте, щоб поруч із пристроєм не було легкозаймистих матеріалів, оскільки бічні поверхні сильно нагріваються під час роботи.
- Усі вентиляційні отвори мають бути відчиненими.
- Після кожного використання переконайтеся в тому, що прилад вимкнено.

Захист від дітей

- Електричне та газове обладнання становить загрозу для дітей. Під час роботи виробу не допускайте до нього дітей та не дозволяйте дітям гратися з ним.
- Забезпечте віддалення дітей від виробу під час його роботи та доки він не охолоне, оскільки доступні частини виробу сильно нагріваються.
- Не зберігайте речі, які можуть дістатися дітям, над виробом.
- Пакувальні матеріали можуть становити небезпеку для дітей. Не допускайте дітей до них. Утилізуйте всі компоненти

упаковки відповідно до екологічних стандартів.


Правила техніки безпеки для газових пристроїв

- Усі роботи з газовим обладнанням та системами має проводити тільки авторизований кваліфікований персонал.
- "Перед встановленням переконайтеся в дотриманні умов місцевої розподільної системи (тиск газу й тип газу) та умов регулювання пристрою."
- "Цей пристрій не під'єднується до обладнання для видалення продуктів горіння. Його слід встановлювати та під'єднувати відповідно до поточних нормативів зі встановлення. Особливу увагу слід приділити відповідним вимогам щодо вентиляції;" див. *До початку встановлення, стор. 8*
- "ЗАСТЕРЕЖЕННЯ. Робота газової плити веде до утворення тепла, вологи та продуктів згорання у приміщенні, де вона встановлена. Забезпечте достатню вентиляцію кухні, особливо під час використання приладу: залиште відкритими отвори природної вентиляції або встановіть механічний вентиляційний пристрій (ковпак механічної витяжки). У разі тривалої експлуатації пристрою може знадобитися додаткова вентиляція, наприклад, збільшення рівня потужності механічної вентиляції, якщо така є."
- Слід проводити регулярну перевірку роботи газових пристроїв і систем. Регулятор, шланг і його затискач слід перевіряти регулярно й замінювати в терміни, рекомендовані виробником, чи в разі виникнення потреби.
- Регулярно чистіть газові конфорки. Полум'я має бути блакитним і рівномірним.
- Для газових пристроїв необхідне хороше згорання газу. У випадку неповного

згорання може утворюватися окис вуглецю (CO). Окис вуглецю – це дуже токсичний газ без запаху та кольору, який навіть у малих дозах може призвести до смерті.

- Зверніться до постачальника газу для отримання відомостей про телефонні номери аварійної служби газу та заходи безпеки у разі появи запаху газу.

Заходи у разі появи запаху газу

	НЕБЕЗПЕЧНО! Не використовуйте відкрите полум'я і не паліть. Не використовуйте електричні вимикачі (наприклад, вимикач світла, дверний дзвінок тощо). Не користуйтеся стаціонарним чи мобільним телефоном. Ризик вибуху й отруєння газом!
---	---

1. Закрийте всі крани на газових пристроях і лічильниках газу.
2. Відчиніть двері та вікна.
3. Перевірте всі труби та надійність всіх з'єднань. Якщо запах газу не зникає, вийдіть з помешкання.
4. Попередьте сусідів.
5. Зателефонуйте до пожежної служби. Скористайтеся телефоном за межами будинку.
6. Не заходьте до помешкання, доки вам не повідомлять, що це безпечно.

Призначення

Прилад призначений для домашнього використання. Використання з комерційною метою є неприпустимим.

"ЗАСТЕРЕЖЕННЯ. Цей прилад призначений тільки для приготування їжі. Його не можна використовувати для інших цілей, наприклад, для обігріву приміщення."

Виробник не несе відповідальності за будь-які збитки, спричинені неправильним використанням або помилками експлуатації.

3 Встановлення

Пристрій має встановити кваліфікований спеціаліст відповідно до чинних нормативів. В іншому разі, гарантію буде анульовано. Виробник не несе відповідальності за шкоду, заподіяну внаслідок виконання робіт особами, які на це не уповноважені. Це може призвести до анулювання гарантії.



Покупець відповідальний за підготовку місця для установки й виконання електричних і газових з'єднань.



НЕБЕЗПЕЧНО!

Прилад слід встановити відповідно до всіх місцевих норм з питань газового й/або електричного обладнання.



НЕБЕЗПЕЧНО!

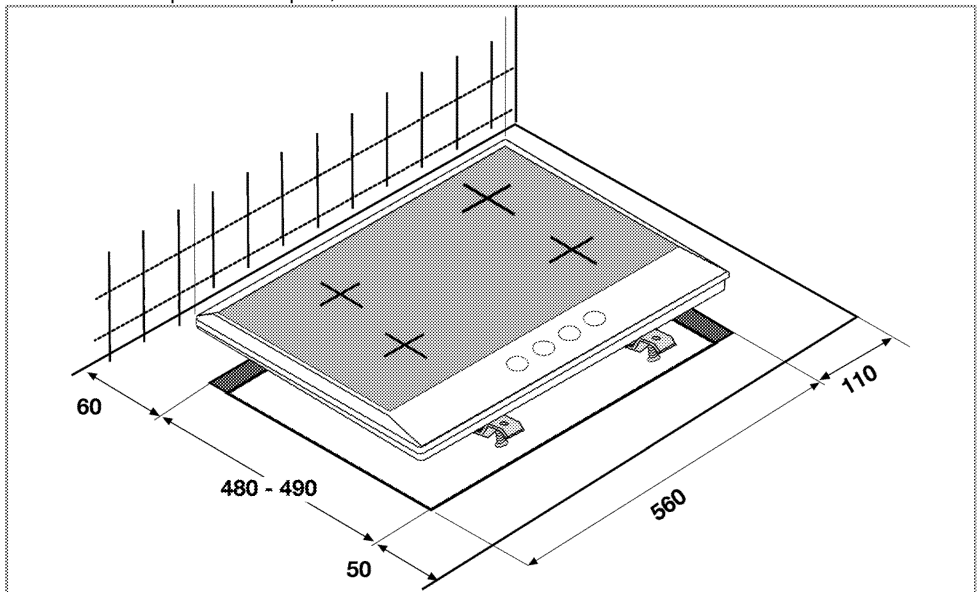
Перед встановленням огляньте прилад на наявність дефектів. Якщо такі є, не встановлюйте його. Пошкоджені прилади можуть становити загрозу для вашої безпеки.

До початку встановлення

Варильна панель призначена для встановлення в робочі поверхні, які є в

продажу. Між пристроєм і кухонними стінами та меблями слід залишити безпечну відстань. Див. малюнок (значення в мм).

- Крім того, духовка може стояти окремо. Забезпечте вільний простір щонайменше 750 мм від поверхні духовки до поверхонь над нею.
- (*) За необхідності встановлення надплитного очисника повітря дотримуйтеся інструкцій його виробника щодо висоти монтажу пристрою (мін. 650 мм).
- Зніміть пакувальні матеріали і транспортні фіксатори.
- Використовувані поверхні, синтетичний шаруватий пластик і клейкі речовини мають бути термостійкими (витримувати температуру щонайменше 100 °C).
- Робочу поверхню слід вирівняти й закріпити горизонтально.
- Виріжте отвір для варильної панелі в робочій поверхні відповідно до габаритів для встановлення.



Вентиляція приміщення

У приміщенні має бути вікно, яке можна відчинити, а в деяких приміщеннях також необхідна наявність постійної вентиляції. Забір повітря для процесу горіння відбувається в приміщенні, й гази, що виходять, виділяються безпосередньо в приміщення.

Гарна вентиляція приміщення – необхідна умова безпечної роботи пристрою. Якщо в приміщенні немає вікна чи дверей, слід встановити додаткову систему вентиляції. Пристрій можна встановлювати в кухні, в кухні-їдальні та житловій кімнаті, але не в приміщенні з ванною та душем. Пристрій заборонено встановлювати в житловій кімнаті площею менше за 20 м².³

Не встановлюйте пристрій в приміщенні, нижчому за рівень поверхні, якщо воно не виходить на рівень поверхні щонайменше однією стороною.

Розмір приміщення	Вентиляційний отвір
менший за 5 м ³	мін. 100 см ²
5 м ³ до 10 м ³	мін. 50 см ²
більший за 10 м ³ /ден	не потрібно
У підвалі чи в сокелі	мін. 65 см ²

Встановлення та підключення

- Виріб слід встановити відповідно до всіх місцевих норм щодо газового й електричного обладнання.

Електричне з'єднання

Підключіть прилад до розетки/лінії із заземленням, захищеної плавким запобіжником відповідної ємності, як вказано в таблиці технічних характеристик. У разі використання з трансформатором чи без нього переконайтеся у наявності заземлення, виконаного кваліфікованим електриком. Наша компанія не несе відповідальності за збитки внаслідок використання приладу без заземлення відповідно до місцевих норм і правил.



НЕБЕЗПЕЧНО!

Підключення пристрою до джерела електроживлення має виконувати тільки авторизований кваліфікований персонал. Гарантійний період починається тільки після правильного встановлення. Виробник не несе відповідальності за шкоду, заподіяну внаслідок виконання робіт особами, які на це не уповноважені.



НЕБЕЗПЕЧНО!


Шнур живлення не можна затискати або згинати; він не повинен контактувати з гарячими частинами пристрою. Заміну пошкодженого шнура живлення має виконувати кваліфікований електрик. В іншому разі існує ризик ураження електричним струмом, короткого замикання чи пожежі!

- Підключення має здійснюватися відповідно до національного законодавства.
- Показники щодо мережі живлення мають відповідати даним у паспортній таблиці виробу. Паспортна табличка знаходиться на задній частині корпусу пристрою.
- Кабель електроживлення вашого пристрою має відповідати значенням у таблиці технічних характеристик.




НЕБЕЗПЕЧНО!


Перш ніж розпочинати будь-які роботи зі встановлення електричного обладнання, відключіть виріб від мережі електроживлення. Існує ризик ураження електричним струмом!

 Після встановлення пристрою кабель електроживлення має бути легко досяжним (проте його не слід розташовувати над варильною панеллю).


Вставте штепсельну вилку кабеля електроживлення в розетку.

Підключення газу

 **НЕБЕЗПЕЧНО!**
Відключення пристрою до електричної мережі має виконувати тільки уповноважений кваліфікований працівник. Ризик вибуху чи отруєння газом через некваліфікований ремонт! Виробник не несе відповідальності за шкоду, заподіяну внаслідок виконання робіт особами, які на це не уповноважені.

 **НЕБЕЗПЕЧНО!**
Перш ніж розпочинати будь-які роботи зі встановлення газового обладнання, перекрийте постачання газу.
Існує ризик вибуху!

- Умови та значення налаштування газопостачання наведені в інформаційних табличках (або в табличці з позначенням типу іону).

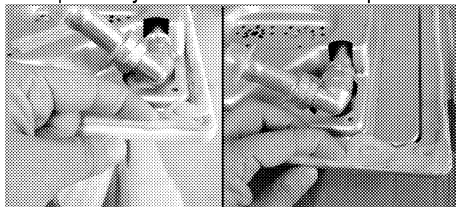
 На ваш виріб може подаватися природний газ (NG).


- Під'єднання природного газу слід виконати перед встановленням пристрою.
- На виході системи подачі природного газу має знаходитися гнучка трубка, кінчик якої має бути закритий заглушкою. Під час процедури підключення представник сервісної служби зніме заглушку і під'єднає пристрій за допомогою відповідного з'єднувача (муфти).

- Упевніться, що вентиль подачі природного газу досяжний.
- У разі необхідності використання пристрою з іншим типом газу проконсультуйтеся зі співробітниками авторизованої сервісної служби щодо відповідної процедури переходу на інший тип газу.

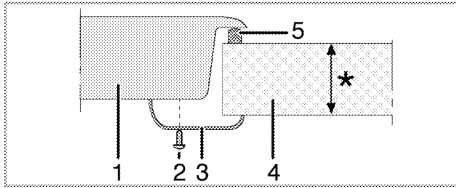
Встановлення виробів

1. Зніміть з виробу конфорки, кришки конфорок й елементи гриля варильної панелі.
2. Перевернувши варильну панель, розташуйте її на рівній поверхні.
3. Аби між варильною панеллю та стільницею не потрапляли сторонні речовини й рідини, нанесіть герметик, який входить до комплекту постачання, по контуру нижньої виймки варильної панелі, не допускаючи перекривання.
4. Заповніть ущільнювачем кути варильної панелі як показано на малюнку. Прокладайте ущільнювач петлями так, щоб по кутах не залишилося порожнин.



 Вздовж вигнутого краю корпусу знизу варильної панелі слід обов'язково нанести герметик.

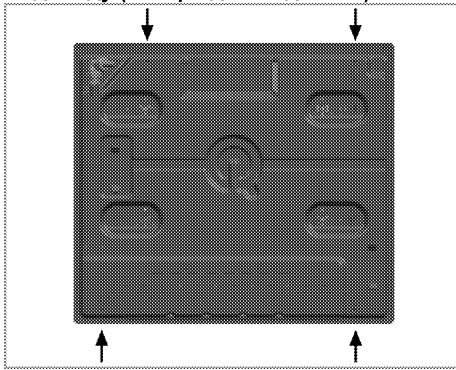
5. Перевернувши варильну панель іще раз, вирівняйте та розташуйте її на стільниці.
6. Прикріпіть варильну панель до стільниці за допомогою хомута і гвинтів, які входять до комплекту постачання.



* мін. 20 – макс. 40 мм

- 1 Варильна панель
- 2 Гвинт
- 3 Монтажний затискач
- 4 Стільниця
- 5 Герметик

Вид ззаду (отвори для з'єднання)



Після встановлення поверніть конфорки, кришки конфорок і ґрилі у їхні гнізда.



Під'єднання до різних отворів не є вдаюю практикою з точки зору безпеки, адже може спричинити пошкодження газової та електричної систем.

Остання перевірка

1. Відкрийте вентиль подачі газу.
2. Перевірте надійність усіх з'єднань.
3. Запаліть конфорки й перевірте на появу полум'я.



Полум'я має бути блакитним і мати звичайну форму. Якщо полум'я жовтішає, перевірте правильність положення кришки конфорки або очистіть конфорку.

Перехід на інший тип газу



НЕБЕЗПЕЧНО!

Перш ніж розпочинати будь-які роботи зі встановлення газового обладнання, перекрийте постачання газу.
Існує ризик вибуху!

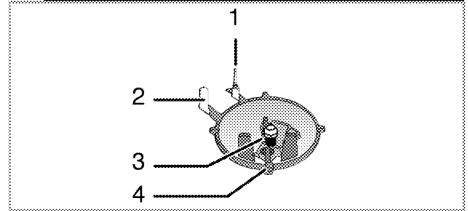
Щоб перевести пристрій на інший тип газу, замініть усі інжектори і виконайте регулювання полум'я на всіх клапанах у положенні мінімальної подачі газу.

Заміна інжекторів для конфорок

1. Зніміть кришку та корпус конфорки.
2. Вигвинтіть інжектори, повертаючи проти годинникової стрілки.
3. Встановіть нові інжектори.
4. Перевірте надійність всіх з'єднань.



Розташування нових інжекторів вказано на упаковці чи в таблиці *Таблиця інжекторів, стор. 5.*



- 1 Запобіжник гасіння (залежно від моделі)
- 2 Запальна свічка
- 3 Інжектор
- 4 Конфорка



Не намагайтеся витягти вентилі газових конфорок, за винятком аномальних умов. Для заміни вентилів слід звернутися до авторизованої сервісної служби.

Встановлення мінімального потоку газу для вентилів варильної панелі

1. Запаліть конфорку, яку слід відрегулювати, і, повернувши ручку, зменшіть горіння до мінімуму.
2. Зніміть ручку регулятора з крана подачі газу.

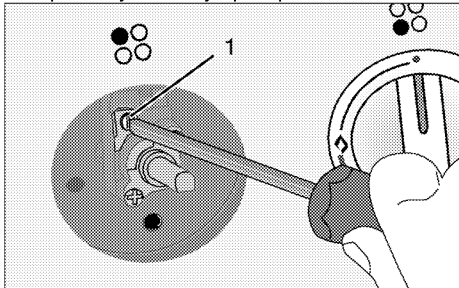
3. До гвинта регулювання подачі газу застосуйте викрутку відповідного розміру.

Для скрапленого нафтового газу (бутан-пропан) слід повернути гвинт за годинниковою стрілкою. Для природного газу слід один раз повернути гвинт **проти годинникової стрілки**.

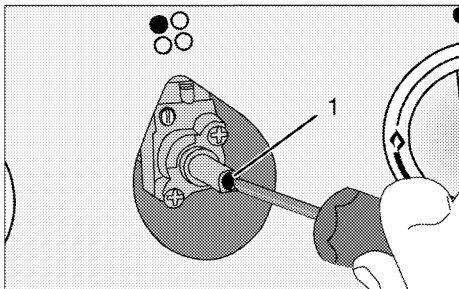
» Нормальна висота прямого полум'я у положенні мінімального потоку має становити 6-7 мм.

4. Якщо полум'я вище, поверніть гвинт за годинниковою стрілкою в потрібне положення, якщо нижче – поверніть у зворотному напрямку.
5. Насамкінець для контролю переведіть конфорку на високе полум'я, далі – на мінімальний потік і перевірте, чи горить полум'я.

Положення гвинта регулювання подачі залежить від типу крана подачі газу, використовуваного у пристрої.



1 Гвинт регулювання подачі газу



1 Гвинт регулювання подачі газу



Якщо тип газу для пристрою змінено, також слід замінити паспортну табличку, на якій зазначено тип газу, використовуваній пристроєм.

Утилізація

Утилізація пакувальних матеріалів

- Пакувальні матеріали становлять загрозу для дітей. Зберігайте пакувальні матеріали в безпечному й недоступному для дітей місці. Пакувальні матеріали для приладу виготовлені з матеріалів, які підлягають вторинній переробці. Правильно утилізуйте їх і сортуйте відповідно до вказівок стосовно відходів, які підлягають переробці. Не викидайте їх разом зі звичайними побутовими відходами.

Утилізація старого приладу

- Збережіть оригінальну упаковку приладу й перевозьте прилад у ній. Дотримуйтеся вказівок, зазначених на упаковці. Якщо оригінальна упаковка не збереглася, обгорніть пристрій пухирчастим поліетиленом або товстим картоном і надійно заклейте стрічкою.
- Закріпіть кришки та підставки для каструль ізоляційною стрічкою.



Перевірте загальний вигляд пристрою на можливі пошкодження під час транспортування.

Утилізація старого приладу



Утилізацію старого приладу слід проводити в екологічно безпечний спосіб.

Цей прилад позначений символом роздільного сортування для електричного та електронного обладнання (WEEE). Це означає, що з цим виробом слід поводитися відповідно до Європейської директиви 2002/96/EC, щоб мінімізувати негативний

вплив на середовище під час його переробки або розбирання. Для отримання докладнішої інформації зверніться до місцевих чи регіональних органів влади.

Щоб дізнатися, як утилізувати прилад, зверніться до місцевого дилера чи в центр утилізації твердих відходів.

Перед утилізацією приладу відріжте вилку кабелю живлення та виведіть із ладу замок дверцят (за наявності), щоб запобігти небезпеці для дітей.

4 Підготовка

Поради щодо збереження електроенергії

Наведені нижче поради допоможуть використовувати пристрій, не завдаючи шкоди навколишньому середовищу та зберігаючи електроенергію:

- Розморозуйте заморожені продукти перед приготуванням.
- Використовуйте каstrулі/сковорідки з кришками для приготування. Якщо кришки немає, енергоспоживання може зрости в 4 рази.
- Оберіть конфорку, що відповідає розміру використовуваної каstrулі. Обирайте для страв каstrулі

правильного розміру. Більші каstrулі потребують більше електроенергії.

Початкове використання

Початкове очищення виробу



Деякі засоби для миття або матеріали для чищення можуть пошкодити поверхню.

Під час чищення не використовуйте агресивні засоби для миття, порошки/рідини для чищення або гострі предмети.

1. Видаліть всі пакувальні матеріали.
2. Протріть поверхні виробу вологою тканиною чи губкою, а потім витріть насухо.

5 Правила експлуатації варильної панелі

Загальна інформація щодо приготування



НЕБЕЗПЕЧНО!

Не заповнюйте каструлю рослинною олією понад третину. Під час нагрівання олії не залишайте варильну панель без нагляду. Перегріта олія може спричинити пожежу.

Не намагайтеся загасити пожежу водою! При займанні олії накрийте посуд ковдрою чи вологою тканиною. Якщо це безпечно, вимкніть варильну панель і зателефонуйте до пожежної служби.

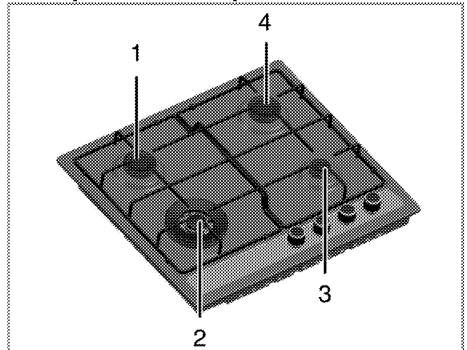
- Завжди ретельно висушуйте продукти перед смаженням й обережно опускайте їх у гарячу олію. Перед смаженням переконайтеся, що заморожені продукти цілком розморожені.
- Під час нагрівання олії не накривайте посуд кришкою.
- Розміщуйте сковорідки й каструлі так, аби їхні ручки не були розташовані над варильною панеллю для запобігання нагріванню. Не ставте на варильну панель нестійкий або здатний до перекидання посуд.
- Не ставте на увімкнені зони нагрівання порожній посуд і каструлі. Це може їх пошкодити.
- Використання зони нагрівання без посуду чи каструлі спричинить пошкодження приладу. Після завершення приготування вимкніть зони нагрівання.
- Оскільки поверхня приладу може бути гарячою, не ставте на неї пластиковий чи алюмінієвий посуд. У посуді з вищезгаданих матеріалів не варто зберігати й продукти.
- Використовуйте лише каструлі й посуд із плоским дном.

- Наповнюйте каструлі та сковорідки достатньою кількістю їжі. Таким чином ви запобігатимете проливанню страв і зайвому чищенню. Не кладіть на зони нагрівання кришки каструль або сковорідок. Розташуйте каструлі по центру зони нагрівання. При бажанні перемістити каструлю на іншу зону нагрівання, замість посувати, підніміть і поставте її на потрібну зону.

Приготування на газу

- Розмір посуду має відповідати обсягу газового полум'я. Налаштуйте полум'я так, аби воно не виходило за межі дна посуду, й розташуйте посуд по центру тримача.

Використання варильних панелей



- 1 Нормальна конфорка 14-20 см
- 2 Конфорка для посуду з випуклим дном 22-30 см
- 3 Додаткова конфорка 12-18 см
- 4 Нормальна конфорка 14-20 см перелік рекомендованих діаметрів посуду для використання на відповідних конфорках.

Зображення великого полум'я відповідає максимальній потужності нагріву, маленького полум'я – мінімальній потужності. У положенні "вимкнено" (верхньому) подачу газу до конфорок заблоковано.

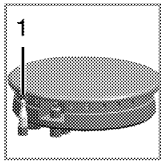
Запалювання газових конфорок

1. Утримуйте ручку управління конфоркою натиснутою.
 2. Поверніть її проти годинникової стрілки й установіть на зображення великого полум'я.
- » Газ запалюється іскрою, що видобувається.
3. Відрегулюйте потужність полум'я.

Вимикання газових конфорок

Поверніть ручку зони нагрівання у вимкнене (верхнє) положення.

Запобіжна система вимикання газу (у моделях із термічним компонентом)



1. Запобіжна система вимикання газу

Задля запобігання гасінню конфорок через виливання рідини спрацьовує спеціальний механізм і перекриває подачу газу.

- Натисніть ручку всередину та поверніть проти годинникової стрілки, щоб запалити газ.
- Коли газ буде запалено, натисніть й утримуйте ручку протягом 3-5 секунд, аби увімкнути запобіжну систему.
- Якщо газ не буде запалено після того, як ви натиснете й відпустите ручку,

повторіть процедуру, натиснувши й утримуючи ручку протягом 15 секунд.

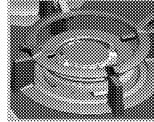


НЕБЕЗПЕЧНО!

Якщо протягом 15 секунд запалення конфорки не відбулося, відпустіть кнопку.

Повторіть спробу щонайменше через 1 хвилину. Існує ризик накопичення газу та вибуху!

Конфорка для посуду з випуклим дном



Конфорка для посуду з випуклим дном пришвидшує приготування. Казанок із випуклим дном, широко використовуваний в азійській кухні, являє собою глибоку сковорідку з листового металу для швидкого приготування рублених овочів і м'яса на сильному вогні.

Оскільки процес приготування страв у таких сковорідках, які швидко проводять тепло й рівномірно його розподіляють, відбувається швидко й на сильному вогні, поживна цінність їжі зберігається, а овочі залишаються хрусткими.

На конфорці для посуду з випуклим дном можна готувати й у звичайному посуді.

У такому випадку зніміть із варильної панелі тримач сковорідки з випуклим дном.

6 Догляд і технічне обслуговування

Загальна інформація

За умови регулярного очищення приладу його термін використання буде подовжено, а частоту виникнення несправностей зменшено.



НЕБЕЗПЕЧНО!

Перш ніж розпочинати роботи з обслуговування та чищення, відключіть виріб від мережі електроживлення.
Існує ризик ураження електричним струмом!



НЕБЕЗПЕЧНО!

Перед очищенням пристрою зачекайте, поки він охолоне.
Гарячі поверхні можуть стати причиною опіків!

- Ретельно очищуйте прилад після кожного використання. Це спрощує видалення залишків їжі та запобігає їхньому згоранню під час наступного використання приладу.
- Для чистки приладу спеціальні засоби для миття не потрібні. Використовуйте теплу воду з розчищеною в ній рідиною для миття та шматок м'якої тканини чи губку, а також шматок сухої тканини для витирання насухо.
- Слідкуйте за тим, аби після очищення ретельно витирати надлишок води чи усувати проліті рештки.
- Не користуйтеся засобами, що містять кислоту чи хлор, для чистки поверхонь із нержавіючої сталі та ручки. Витирайте ці частини м'якою тканиною, змоченою в рідкому засобі для миття (не абразивному), не змінюючи напрямку.



Деякі засоби для миття або матеріали для чищення можуть пошкодити поверхню.

Під час чищення не використовуйте агресивні засоби для миття, порошки/рідини для чищення або гострі предмети.

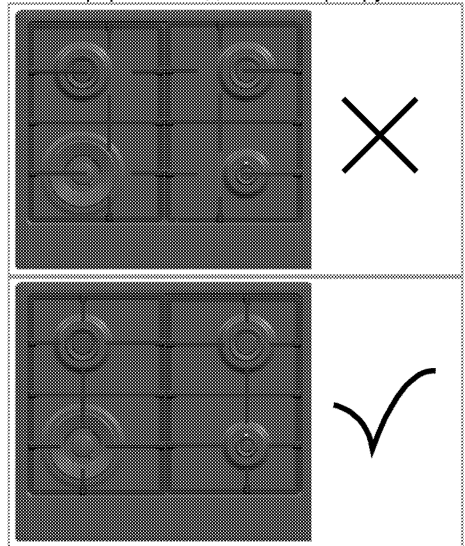


Не використовуйте для чищення парові пристрої, бо це може призвести до ураження електричним струмом.

Чистка варильної панелі

Газові варильні панелі

1. Зніміть й очистіть підставки для посуду та кришки газових конфорок.
2. Очистіть варильну панель.
3. Встановіть кришки газових конфорок і переконайтеся, що вони розташовані надійно.
4. Встановлюючи верхні елементи гриля, розташуйте підставки для посуду так, аби конфорки знаходилися по центру.

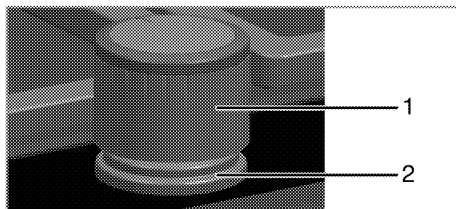


Очищення панелі управління

Протріть панель управління й ручки вологою тканиною й витріть їх насухо.



Не знімайте кнопки/ручки управління з панелі управління для чищення. Це може пошкодити панель управління!




- 1 Ручка
- 2 Ущільнювальний елемент



Під час чищення виймати ущільнювальні елементи з-під ручок не слід.

7 Пошук та усунення несправностей

Газ не подається.	
Закрито основний кран подачі газу.	Відкрийте кран подачі газу.
Труба подачі газу зігнута.	Встановіть трубу подачі газу відповідним чином.
Немає запалювальної іскри.	
Немає струму.	Перевірте запобіжники.
Конфорки не працюють правильно чи взагалі не працюють.	
Конфорки брудні.	Очистіть компоненти конфорок.
Конфорки вологі.	Висушіть компоненти конфорок.
Кришка конфорки не встановлена щільно.	Встановіть кришку конфорки щільно.
Закрито кран подачі газу.	Відкрийте кран подачі газу.
Газовий балон порожній (при використанні нафтового зрідженого газу).	Замініть газовий балон.
 Якщо, незважаючи на застосування інструкцій цього розділу, несправність усунути не вдалося, зверніться до представника авторизованої сервісної служби чи дилера, в якого ви придбали пристрій. Не намагайтеся відремонтувати несправний пристрій самотужки.	

