

# Saturn<sup>®</sup>

ST- 0143

DEEP FRYER



**GB**  
DEEP FRYER

Dear Buyer!  
We congratulate you on having bought the device under trade name « Saturn ». We are sure that our devices will become faithful and reliable assistance in your housekeeping.

Avoid extreme temperature changes. Rapid temperature change (e.g. when the unit is moved from freezing temperature to a warm room) may cause condensation inside the unit and a malfunction when it is switched on. In this case leave the unit at room temperature for at least 1.5 hours before switching it on.

If the unit has been in transit, leave it indoors for at least 1.5 hours before starting operation.

**IMPORTANT SAFEGUARDS**

When using electrical appliances, basic safety precautions should always be followed including the following:

1. Read all instructions.
2. Do not touch hot surfaces.
3. To protect against electrical shock do not immerse cord, plugs, or main body in water or other liquid.
4. This appliance is not intended for use by persons (including children) with reduced physical, sensory or mental capacities, or lack of experience and knowledge, unless they have been given supervision or instruction concerning use of the appliance by a person responsible for their safety.
5. Children shall not play with the appliance.
6. Keep the appliance and its cord out of reach of children.
7. Unplug from outlet when not in use and before cleaning. Allow to cool before putting on or taking off parts.

8. Do not operate any appliance with a damaged cord or plug or after the appliance malfunctions or has been damaged in any manner. Return appliance to the nearest authorized service facility for examination, repair, or adjustment.
9. The use of accessory attachments not recommended by the appliance manufacturer may cause injuries.
10. Household use only and do not use outdoors.
11. Do not let cord hang over edge of table or counter, or touch hot surfaces.
12. Do not place on or near a hot gas or electric burner, or in a heated oven.
13. Extreme caution must be used when moving an appliance containing hot oil or other hot liquids.
14. Do not use appliance for other than intended use.
15. To avoid the risk of electric shock, cook only in removable container.

Service life – 2 years

**SAVE THESE INSTRUCTIONS**

**PRODUCT SAFETY**

Please keep and read the PRODUCT SAFETY carefully.

1. Make sure that the voltage in use the same with the rating voltage in the rating label.
2. Make sure the socket connected with the fryer is grounded.
3. Power cord hanging outside causes accidents easily especially when children pull it. So please settle the fryer close to the wall and keep the power cord at an appropriate length hanging outside.
4. It is forbidden to leave the fryer working without lid covered. When you open the lid during cooking, the heater and fan will automatically stop working until you close the lid.
5. Don't leave the fryer working without attention.
6. Don't touch the outer when working.

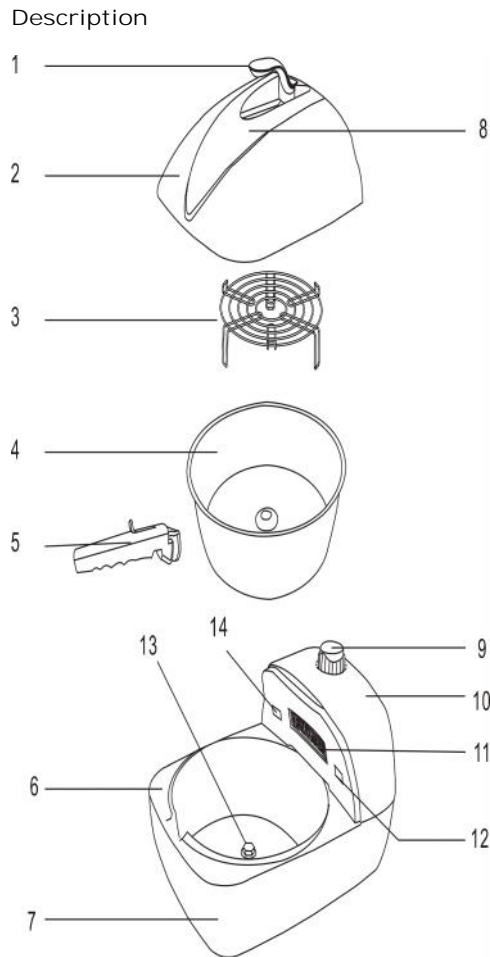
7. Pull the plug out under the conditions hereinafter:
- Out of use
  - Cleaning and maintaining
  - Moving the fryer
  - When the fryer is in problem
8. Stop using the fryer under the conditions hereinafter:
- Fryer/power cord /plug is broken
  - When the function is abnormal the fryer is dropped down and is obviously broken

If the situation above happens, please contact our appointed after-sales service center before you use it again and don't try to repair by yourself.

9. If the power cord or the plug is broken, please contact out appointed after-sales service center and don't repair it by yourself either.
10. Make sure to prevent the fryer away from heater such as electric oven and so on to protect the fryer.
11. Don't immerse the body of the fryer into water.
12. Make sure to use out products on a flat, clean, dry and firm platform.
13. The fryer is expected to cook food, so please don't make it working without food in the pot.
14. This appliance is for domestic use only, any problems caused by business use or inappropriate uses are not in the line of our guarantee.

Be careful of burn!  
The cook food is hot. Please be care that it may cause severe damage to children. Follow the below suggestions will do good to prevent from accidents.

- The fryer should be placed away from the edge of the working platform.
- Hide the power cord out of reach of children.
- Please warn children not to touch any hot food or cooking appliance in the kitchen.
- When accident happens, please wash the wound with cold water and ask for a doctor if needed.



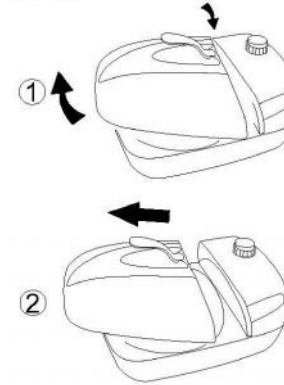
- 1 Lid handle
- 2 Lid
- 3 Grill
- 4 Pan
- 5 Detachable pan handle
- 6 Insulated offer
- 7 Bottom
- 8 Insulation cover

- 9 Knob
- 10 Body
- 11 Draught window
- 12 Working light

- 13 Driven
- 14 Power light

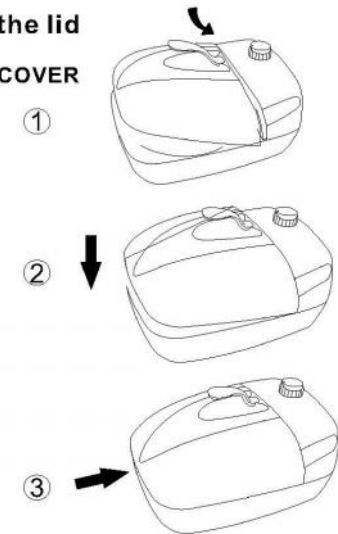
### The ways of opening and covering the lid

#### OPEN



When opening the cover, press the handle part, and open the lid tail together.

#### COVER



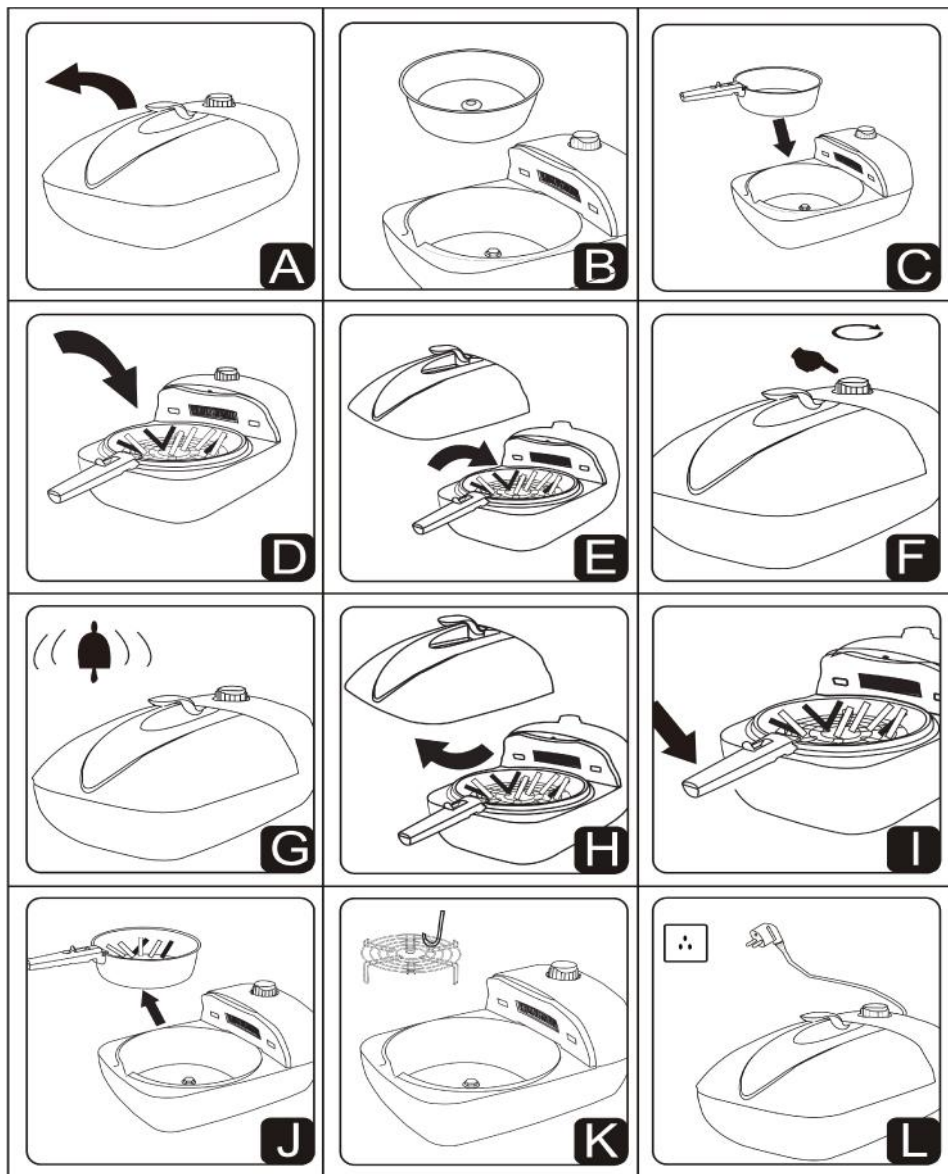
When covering the lid, aiming at the front handle part first, then the cover tail, finally push the cover tail a little bit.

### INSTRUCTION MANUAL

Remove all the packing materials and all adhesive marks on the appliance except the rating label, Please refer to the "lid open and close" chapter to learn how to remove the lid.

- Before your formal use, please pour 300-500ml water and boil it for 20 minutes to wash the pan wipe off the plastic smell and impurity, and then wash the pan rotating device separately.
- Picture A: Lid of the pan can't be open upwardly, but 45 degrees towards the body.
- Picture B: Make sure the pan put in the central position and supported by the turret at the bottom.
- Picture C: put the pan in with the handle and then fix the rotating device firmly.

- Picture D: put the food in the pan equally, make sure the line is not over the max line.
- Picture E: close the lid with the closing sound..
- Picture F: move the time switch, the working light on the right will turn on.
- Picture G: a sound will be heard when the food is ready.
- Picture H: open the lid.
- Picture I-J: put the pan out with the pan handle after cooking.
- Picture K: when bake pork chop and beefsteak, their thickness is not over 4cm, Then use the grill in tall side, when the food's thickness is over 4-10cm, then use the grill in low-lying side.
- Picture L: Before place the fryer, you should sure the unit is complete cooling. Pull out the plug.



#### CLEANING

- After working, pull the plug out and use soft wet sponge or dishcloth wipe the appliance after all components are cool down.
- Before cleaning the appliance, remove all the device that can be moved, then wash them in warm water with a mild detergent.
- The device of the pan and rotating device can be washable by hand or washing machine, but don't squeeze the

device of the pan or break its shape which will affect its working effectiveness.

- The slag filter should be washed regularly. (after use 5 times)

#### COOKING GUIDE

Cooking :  
This cooking time given in this chart are only a guide should be adjusted according to the quantity.

#### Potatoes

Food	Weight(g)	Oil (spoon)	Time (minute)
French fries	500	1	25-30
Potatoes (fresh)	450	1	35-40
Frozen French Fries	400	1	24-30
Diced potatoes	750	1	30-40

#### Other vegetables

Food	Weight (g)	Oil	Time (minute)
Zucchini	500	2/3cup cold water+1 tablespoon of oil	23-28
Sweet peppers	400	2/3 cup cold water+1 tablespoon of oil	18-25
Mushrooms	400	1	12-15
Onions	450	1	12-15

#### Meat Poultry

Food	Weight (g)	Oil (spoon)	Time (minute)
Chicken nuggets(Fresh)	500g/(30*50)mm	Without	20-25
Pork chops	350g/(30*50)mm	Without	16-25
Beef(Fresh)	400	1	8-12
Onions	450	1	12-15
Sausages	300	1	8-12
Chicken legs	700	Without	28-35
Lamb chops	2 to 3 pieces 1 inch thick	Without	20-25
Chicken breasts	350	1	8-15
Pork fillet(thin)	250	1	8-12

#### Fish shellfish

Food	Weight (g)	Oil (spoon)	Time (minute)
Breaded shrimp	14(PCS)	Without	25-30
Tilapia	350	1	18-22
Jumbo king shrimp	300	Without	12-15
Shrimp	350	Without	8-12

#### Bake

This baking time given in this chart are only a guide and should be adjusted according to the quantity.

Food	Weight (g)	Oil (spoon)	Time (minute)	Parts
Fish (massive)	700 Thickness: 20mm	Without	10 minutes for each side	Bottom grill
Beef chop (massive)	700 Thickness: 20mm	Without	5 minutes for both side	Bottom grill
Chicken legs	700	Without	30-35 minutes in one side	Bottom grill
Corn	500	Without	10 minutes for both side	Bottom grill
Pork chop	350	Without	15-20 minutes in one side	Bottom grill
Sausages	300	Without	8 minutes for both side	Bottom grill

The appliances are not intended to be operated by means of an external timer or remote-control system.

**Specifications**

Power: 1200 W  
 Rated Voltage: 220-230 V  
 Rated Frequency: 50 Hz  
 Rated Current: 5.45 A

1,5

1,5

Set  
 DEEP FRYER 1  
 INSTRUCTION MANUAL WITH WARRANTY BOOK 1  
 PACKAGE 1

Environment friendly disposal  
 You can help protect the environment!



Please remember to respect the local regulations: hand in the non-working electrical equipment to an appropriate waste disposal center.

The manufacturer reserves the right to change the specification and design of goods.

RU

"Saturn".

8.

9.

10.

11.

12.

13.

14.

15.

- 2

9.

10.

11.

12.

13.

14.

1.

2.

3.

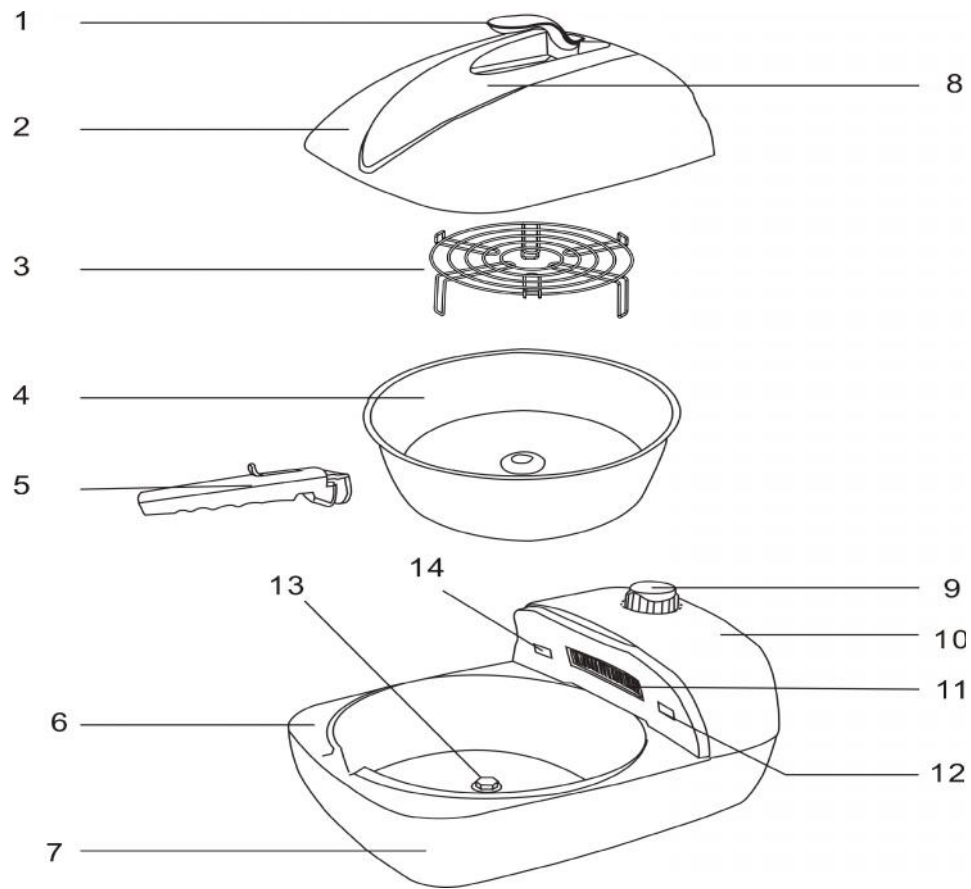
4.

5.

6.

7.

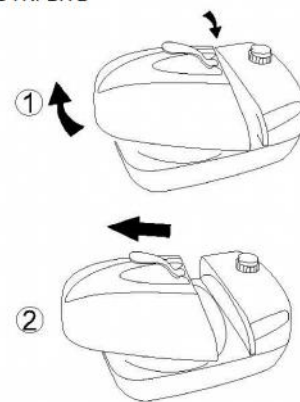
15.



- |   |    |
|---|----|
| 1 | 10 |
| 2 | 11 |
| 3 | 12 |
| 4 | 13 |
| 5 | 14 |
| 6 |    |
| 7 |    |
| 8 |    |
| 9 |    |

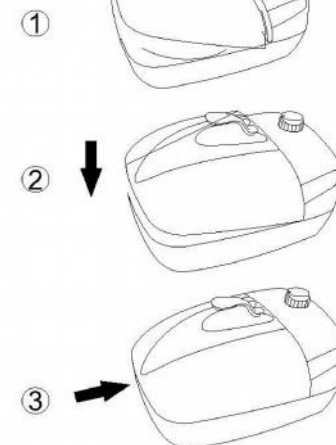
КАК ОТКРЫТЬ И ЗАКРЫТЬ КРЫШКУ

ОТКРЫТЬ

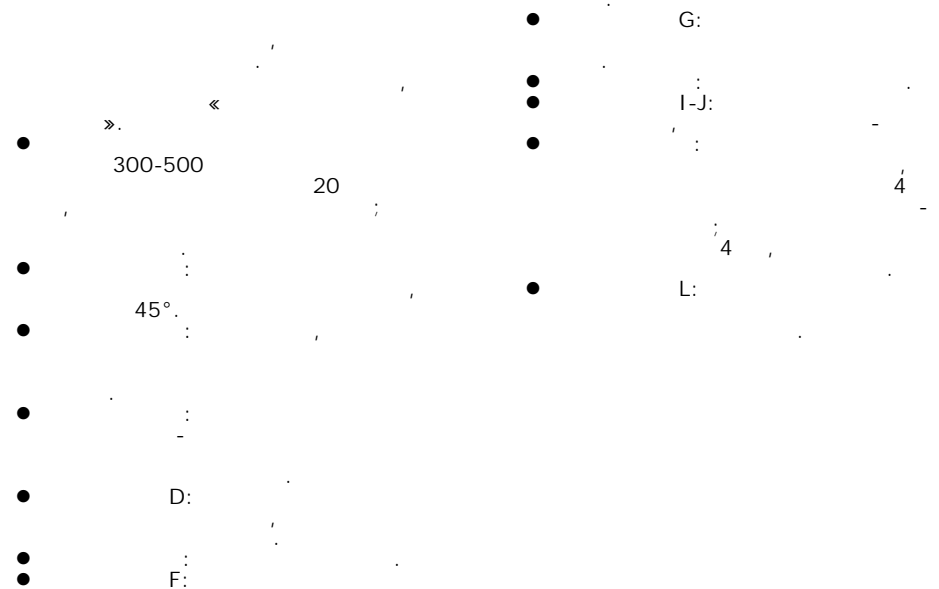


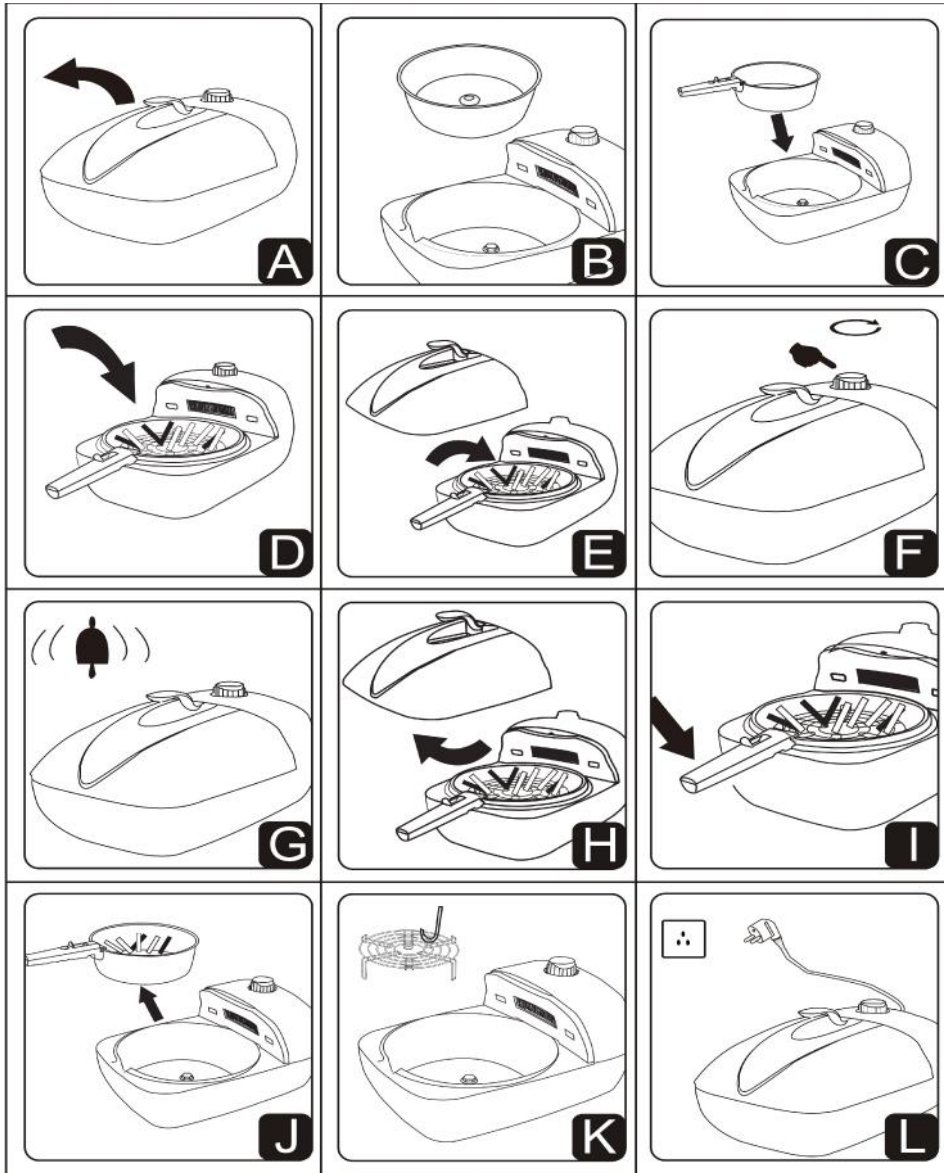
Чтобы открыть крышку, нажмите на неё в месте расположения ручки, одновременно потянув за специальный выступ, находящийся с краю крышки.

ЗАКРЫТЬ



Чтобы закрыть крышку, сначала вставьте в корпус переднюю часть, где расположена ручка, затем опустите вниз заднюю часть крышки и слегка продвиньте её для фиксации.





- - 
  - 
  -
- ( 5 )

	( )	( . )	( )
	500	1	25-30
( )	450	1	35-40
	400	1	24-30
	750	1	30-40

	( )	( . )	( )
	500	2/3 +1	23-28
	400	2/3 +1	18-25
	400	1	12-15
	450	1	12-15

	( )	( . )	( )
( )	500 /(30*50)		20-25
	350 /(30*50)		16-25
( )	400	1	8-12
	450	1	12-15

	300	1	8-12
	700		28-35
	2-3	3	20-25
	350	1	8-15
( )	250	1	8-12

	( )	( )	( )
	14		25-30
	350	1	18-22
	300		12-15
	350		8-12

	( )	( )	( )	-
( )	700	:	10	
	20			
	700	:	5	
( )	20			
	700		30-35	
	500		10	
	350		15-20	
	300		8	

1200  
220-230  
50  
5.45



1  
C  
1  
1

UA

1,5

1,5

- 1.
- 2.
- 3.
- 4.
- 5.
- 6.
- 7.
- 8.

! "Saturn".

9.

10.

11.

12.

13.

14.

- 2

1.

2.

3.

4.

5.

6.

7.

•

•

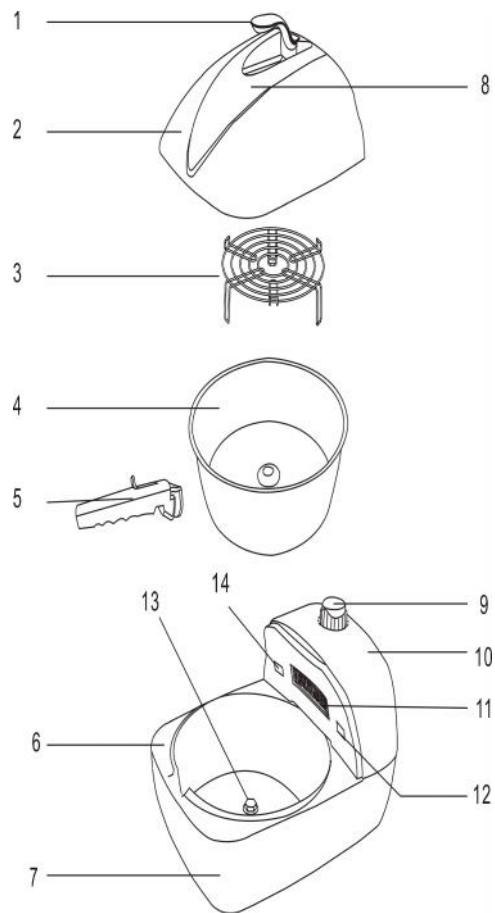
•

•

•

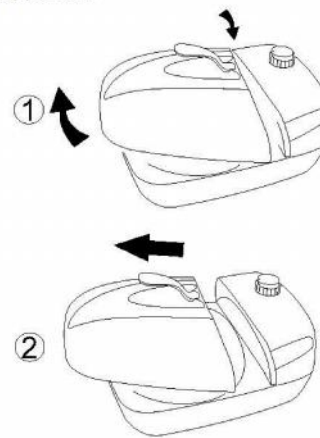


9.  
10.  
(  
11.  
12.  
13.  
14.  
15.  
.  
.  
.  
.  
1  
2  
3  
4  
5  
6  
7  
8  
9  
10  
11  
12  
13  
14



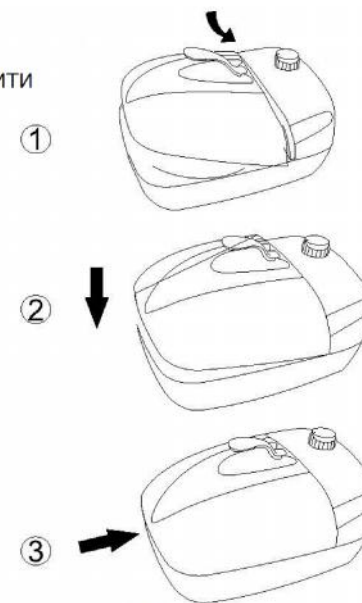
ЯК ВІДКРИТИ ТА ЗАКРИТИ КРИШКУ

ВІДКРИТИ



Щоб відкрити кришку, натисніть на неї в місці розміщення ручки, одночасно потягнувши за спеціальний виступ, що знаходиться з краю кришки.

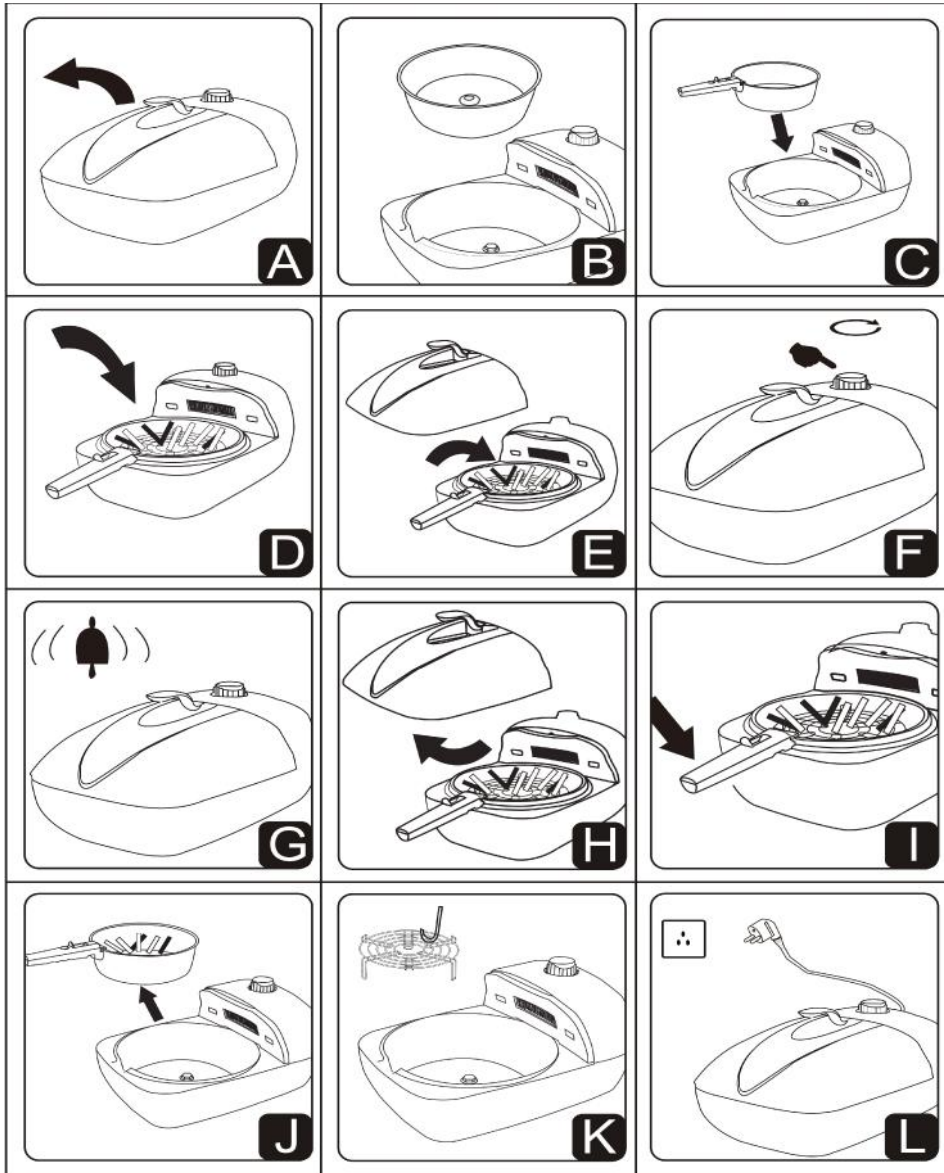
ЗАКРИТИ



Щоб закрити кришку, спочатку вставте в корпус передню частину, де розташована ручка, потім опустіть вниз задню частину кришки і злегка просуньте її для фіксації.

« 300-500 20 45 ° »

F:  
G:  
I-J:  
4  
4  
L:



•  
• ( 5 )  
•

	( )	( . )	( )
	500	1	25-30
( )	450	1	35-40
	400	1	24-30
	750	1	30-40

	( )	( . )	( )
	500	2/3 +1	23-28
	400	2/3 +1	18-25
	400	1	12-15
	450	1	12-15

	( )	( . )	( )
( )	500 /(30*50)		20-25
	350 /(30*50)		16-25
( )	400	1	8-12
	450	1	12-15
	300	1	8-12
	700		28-35
	2-3	3	20-25
	350	1	8-15
( )	250	1	8-12

	( )	( . )	( )
	14		25-30
	350	1	18-22
	300		12-15
	350		8-12

	( )	( )	( )	
( )	700 20	:	10	
( )	700 20	:	5	
	700		30-35	
	500		10	
	350		15-20	
	300		8	

• : 1200  
• : 220-230  
• : 50  
• : 5.45

1  
1  
1



# Saturn®

## INTERNATIONAL MANUFACTURER'S WARRANTY

,

## MEZINÁRODNÍ ZÁRUKA

**INTERNATIONAL MANUFACTURER'S WARRANTY**

The Warranty is provided for the period of 2 years or more if the Law on User Right of the country where the appliance was bought provides for a greater minimum warranty period.

All terms of warranty comply with to the Law on Protection of the Consumer Rights and are governed by the legislation of the country where the product was bought. The warranty and free of charge repair are provided in any country where the product is delivered to by Saturn Home Appliances or authorized representative thereof, and where no restriction of import or other legal provisions interfere with rendering of warranty services and free of charge repair.

**Cases uncovered by the warranty and free of charge repair:**

1. Guarantee coupon is filled in improperly.
2. The product has become inoperable because of the Buyer's nonobservance of the service regulations indicated in the instruction.
3. The product was used for professional, commercial or industrial purposes (except for the models, specially intended for this purpose that is indicated in the instruction).
4. The product has external mechanical damage or damage caused by penetration of the liquid inside, dust, insects and other foreign objects.
5. The product has damages caused by non-observance of the rules of power supply from batteries, mains or accumulators.
6. The product was exposed to opening, repair or modification of design by the persons, unauthorized to repair; independent cleaning of internal mechanisms etc. was made.
7. The product has natural wear of parts with limited service life, expendables etc.
8. The product has deposits of scale inside or outside of fire-bar elements, irrespective of used water quality.
9. The product has damages caused by effect of high (low) temperatures or fire on non-heat resistant parts of the product.
10. The product has damages of accessories and nozzles which are included into the complete set of product shipment (filters, grids, bags, flasks, cups, covers, knives, sealing rings, graters, disks, plates, tubes, hoses, brushes, and also power cords, headphone cords etc.).

**On the warranty service and repair, please contact the authorized service centers of "Saturn Home Appliances".**

**MEZINÁRODNÍ ZÁRUKA**

Záruka se poskytuje na dobu 2 roky. V případě že Zákon na ochranu spotřebitele dané země stanoví delší dobu, prodlužuje se záruka na tuto dobu.

Veškeré záruční podmínky odpovídají Zákonu o ochraně práv uživatelů a jsou řízené zákonodárstvím státu, kde byl výrobek koupen. Záruka a bezplatná oprava se poskytují v každém státě, kam jsou výrobky dodané společností „Saturn Home Appliances“ nebo jejím zplnomocněným zástupcem a kde nejsou žádná omezení na dovoz nebo jiné právní předpisy omezující poskytnutí záručního servisu a bezplatné opravy.

**Případy, na které se záruka a bezplatná oprava nevztahují**

1. Záruční list je vyplněn nesprávně.
2. Výrobek byl poškozen kvůli tomu, že zákazník nesplnil pravidla použití, která jsou uvedena v návodu.
3. Výrobek byl používán k profesionálním, komerčním nebo průmyslovým účelům (kromě modelů speciálně určených pro tyto účely, což je uvedeno v návodu).
4. Výrobek má vnější mechanická poškození nebo poškození, vyvolaná tím, že se dovnitř dostala tekutina, prach, hmyz a jiné cizí předměty.
5. Výrobek má poškození, která jsou vyvolaná nesplněním pravidel napájení od baterií, sítí nebo akumulátorů.
6. Výrobek rozebírali, opravovali nebo měnili jeho konstrukci lidé, kteří nebyli zplnomocněni k opravě, bylo provedeno samostatné ústřední vnitřní mechanisma a pod.
7. Výrobek má přirozené opotřebení dílů s omezenou dobou použití, spotřebních materiálů atd.
8. Výrobek má vrstvu usazeniny uvnitř nebo zvenku termoelektrických ohřevů, bez ohledu na kvalitu používané vody.
9. Výrobek má poškození, která jsou vyvolaná působením vysokých (nízkých) teplot nebo ohněm na termonestabilní části výrobku.
10. Výrobek má poškození přístrojů a nástavců, které jsou dodané spolu s výrobkem (filtry, síky, sáčky, bačky, mísy, víka, nože, šlehače, struhadla, kotouče, talíře, trubky, hadice, kartáče a také síťové šňůry, sluchátkové šňůry atd.).

**V otázkách záručního servisu a oprav se obraťte na autorizovanou servisní střediska společnosti „Saturn Home Appliances“.**

2

«Saturn Home Appliances»

- 1.
- 2.
- 3.
- 4.
- 5.
- 6.
- 7.
- 8.
- 9.
- 10.

«Saturn Home Appliances».

					LCD		
.4	" "	8-988-993-37-78	+		+	+	+
18		8(8553) 32-22-11 8-960-047-22-11	+	+	+	+	+
98	« - »	8(86133) 6-09-84, 8-918-215-57-75	+	+	+	+	+
48, .108	" - "	8(3955) 67-00-44, 8(3955) 56-61-77	+	+	+		+
.109	-	8(86152)2-81-99	+	+	+	+	+
.1, .1, 12	« -29»	8(8182) 44-15-55	+				
.47	« »	8(8512)25-19-39 8(8512) 25-12-00	+	+	+		
16, 2 .7	« »	8(8512) 54-67-67, 8(8512) 54-91-91				+	+
.15	« »	8(85141) 3-61-25	+	+	+	+	+
32		8-927-552-47-21, 8-937-122-13-99				+	+
.113	« »	8(3852) 63-94-02	+		+	+	+
.25		8-905-425-60-4-73	+	+	+		

...	-	8(8635) 47-47-72, 8(8635) 47-47-72	+	+	+	+	+
...	« »	8(86155)3-11-00, 8-918-980-64-75	+	+	+	+	+
...	...	8(86559) 2-08-02, 8(86559)5-29-71	+	+	+	+	+
...	« »	8(8442) 23-41-36, 8(937) 717-93-34	+		+		
...	« »	8(8442) 97-50-10, 8-960-883-59-00			+		
...	...	8(8442) 98-16-47, 8(8442) 53-06-04	+	+	+	+	+
...	« »	8-961-688-53-48			+		
...		8-927-521-52-00			+	+	+
...		8-937-722-68-12				+	+
...		8-937-730-66-03			+	+	+
158		8-904-404-14-55				+	+
...	«Master»	8-928-126-63-66	+			+	
C 12/15	« »	8(937) 717-93-36	+			+	

65							
...	« »	8(8172) 70-03-45, 8(8172) 54-21-54	+			+	+
...	« »	8(8172) 52-72-51	+			+	
...	" "	8(473) 260-09-08, 8(473) 240-57-73	+			+	+
140/1	-	8(87951) 6-47-93, 8-928-654-28-01				+	
...	« »	8-962-655-20-00	+			+	+
...	« »	8(8313) 21-14-14	+			+	
...	« »	8(8313) 20-93-00, 8(8313) 20-92-94				+	
...	" "	8(84235) 2-86-59, 8(84235) 9-14-64	+			+	+
...	« »	8(86132) 2-11-71, 8(86132) 3-66-02	+			+	+
...	" "	8(343)240-26-60	+			+	
...	/	8(343) 201-51-41, 8(343)347-76-83	+			+	+
...	« »	8(47467) 4-12-08, 8(47467) 4-33-17	+			+	

.45/6	« - »	8(4932) 335185, 8(4932) 335236	+	+	+	+	+
.4	« - »	8(3412) 30 79-79, 8(3412)30-83-07	+		+	+	+
.76	« - »	8(3412) 78-76-85, 8(3412) 78-06-64	+		+	+	+
7/1, 301, 307	« - »	8(3412) 44-60-40, 8(3412) 44-60-67		+			
7 (« »)	« 26»	8(86545) 2-74-74		+			
.24	« »	8(8362) 24-11-24, 8(8362) 25-55-40	+	+	+	+	
.20	« »	8(39520) 65-04-95, 8(39520) 93-16-56	+		+	+	
.24	" "	8(3952) 42-55-76, 8(3952) 78-15-83	+		+		
.38	« »	8(843) 248-71-17, 8(843) 258-85-65	+		+		
.25, .47	« »	8 (4842) 54-82-22, 8 (4842) 54-83-33	+	+	+	+	+
33	-	8(3439) 39-95-20, 8(34399)34-74-40	+	+	+	+	+
53/2	-	8(3842) 35-39-67	+			+	

.42	« - »	8(8332) 56-25-95, 8(8332) 54-70-77	+		+	+	
.9	-	8-988-548-24-36	+	+	+		
5	« »	8(4942) 300107, 8(4942) 300107	+		+	+	+
.2,		8(86142)4-43-59	+	+	+	+	+
3	-	8(861) 267-50-88	+	+	+	+	+
103, .55	« - »	8(861) 222-64-13, 8(861) 222-85-55, 8-905-408-08-38	+	+	+	+	+
.42/2		8-918-041-31-04, 8(86131) 71-2-72		+			+
116		8(86164) 7-01-22		+			
57	" "	8(86145) 3-78-74	+	+	+	+	+
.25	« »	8(86164) 65-4-95, 8-918-355-81-70	+	+		+	+

1		8(86153) 4-16-70		+				
168	" "	8(86151) 4-33-54, 8-918-464-00-86	+	+		+	+	
1	« »	8(3912) 93-54-33, 8(3912) 94-52-82	+	+	+	+	+	
36-	« +»	8 (4712) 50-85-90, 8 (4712) 35-04-91	+	+	+	+	+	
2	« »	8 (86169) 7-39-99, 8(86169) 7-24-96	+	+	+	+	+	
.66	" "	8(4742) 33-45-65, 8(4742) 33-45-95	+	+	+	+	+	
.29	« »	8 (8772) 52-36-90	+	+	+	+	+	
25	« - »	8 (8772) 55-62-38		+				+
.20	« »	8( 8722) 93-30-73	+	+	+	+	+	
11	« »	8(86385) 2-33-26 8-960-458-07-11	+	+		+	+	
.16, .9	« »	8 (499) 340-29-89, 8 (499) 733-25-00		+				
1534	« - »	8(499) 717-82-07, 8(499) 717-82-12	+		+	+	+	

.3 ( . . )	« »	8(495) 721-30-70, 8(499) 168-05-19, 8(499) 168-47-15	+		+	+	+	
(30/05)	« »	8(8552) 359002, 8(8522) 359042	+	+	+			
24	" "	8(8662) 42-04-30 8(8662) 42-12-21	+		+	+		
55	« »	8(86554) 5-59-77, 8(86554) 3-67-57	+	+	+	+	+	
.9 ( . « »)	« »	8(8555) 48-08-80, 8-917-906-60-06	+		+	+	+	
.21	« »	8(831) 229-63-66, 8(831) 229-60-87	+		+	+		
.18	« - »	8(831) 46-18-848		+				+
.6	« - »	8(831) 46-18-848		+				+
.18	« »	8 (3843) 20-31-33	+		+	+	+	
.14	« - »	8(8617) 63-11-15, 8(8617) 63-03-95	+	+	+	+	+	
17	" - "	8(383)274-99-33, 8(383) 274-99-45	+		+			
24		8(86369) 3-74-75, 8-928-609-35-85	+	+	+			



...	...	8 (3532) 36-87-94	+			+	+
.16	« - »	8(3532) 77-67-64 , 8(3532) 78-15-82	+	+	+	+	+
.130	" "	8(3812)36-42-02	+		+	+	+
.2	« - +»	8(3537) 33-84-43, 8(3537) 35-13-18	+	+	+	+	+
.2	« »	8(8412) 26-09-60, 8(8412) 26-12-29	+		+	+	+
.3,	« - »	8 (342) 221-40-99	+	+	+	+	+
.11	« - »	8(8142) 78-06-93, 8(8142) 70-65-48	+		+		
.11	« »	8 (8112)-53-86-30, 8 (8112)-53-86-50	+		+		
.12		8(793) 31-84-16	+	+	+	+	+
5-.13	" "	8(8793) 98-70-11	+	+	+	+	+
.148		8(47396) 48-911	+	+	+	+	+
.37	« - »	8(863) 250-47-77	+		+		

.50-	« »	8 (863) 21-92-112, 8-800-100-51-52	+	+	+	+	+
.1/52, .55		8-906-453-35-81	+		+		
.11 /17		8(4855) 22-04-77, 8(4855) 25-38-60	+	+	+	+	+
.12	« »	8(86370) 2-19-50	+	+	+	+	+
.14	" "	8(4855) 22-04-77, 8(4855) 25-38-60	+	+	+	+	+
.12	" "	8(4855) 24-31-21	+	+	+	+	+
.21	« »	8(4912) 76-88-01, 8(4912) 40-30-30	+	+	+	+	+
.14,	« - »	8(4912) 41-33-02,	+	+	+	+	+
.1	« - »	8(846) 931-85-46	+	+	+	+	+
.42" "	« - »	8(846) 379-54-54	+	+	+	+	+
.52, .8, 9	" - "	8(812) 600-11-97	+	+	+	+	+
.63	" - "						
.197	« - XXI»						

е .41,	« - »	8(812) 325-36-56, 8(812) 325-36-57	+		+	+		
е .11, 36	« -95»	8(812) 822-18-00, 8(812) 320-06-61	+					
.1	« - »	8(8342) 23-05-91, 8(8342) 47-48-59	+	+	+			
.3- »	« - »	8(8452) 35-11-80, 8(8452) 55-43-63	+	+	+	+	+	+
.167/1		8-951-522-38-11	+	+	+	+	+	+
.253	« »	8(496) 547-04-95, 8(496) 549-32-79	+	+		+	+	
.90	« »	8 (8622)55-51-19, 8 (8622) 55-01-08	+			+	+	
50 8/1	« »	8(8652) 74-01-91	+	+	+			
.63	« »	8(8652) 24-30-14, 8(8652) 23-31-81	+	+	+	+	+	+
.15 .21	« »	8(8652)95-53-68, (8652)95-61-90			+			
.1	« - »	8 (4725) 24-62-27, 8 (4725) 24-73-49	+	+	+			
158	« - »	8(3473) 20-12-13, 8(3473) 20-27-70	+		+	+	+	+

.25	« »	8(8212) 22-95-29, 8(8212) 29-12-20	+	+	+	+	+	+
137	« -2000»	8(4752) 56-19-42, 8(4752) 56-19-44	+	+	+	+	+	+
88/15	-	8-910-834-80-35, 8-952-065-89-10	+		+			
.24/2		8(86130) 4-86-59, 8-918-147-02-03	+	+		+	+	
.2/2	" - "	8(86196) 7-20-53	+	+	+	+	+	+
.48	« +»	8(8482) 22-72-41, 8(8482) 22-71-85, 8(8482) 61-65-64	+	+	+	+	+	+
.58	« -2»	8(3822) 56-23-35, 8(3822) 48-08-80	+		+			
.137	« - »	8(4872) 31-12-57	+	+	+	+	+	+
.55	"	8(3452) 47-35-69	+		+	+	+	+
.28	« »	8(3012) 21-89-63	+		+	+	+	+
.18, 18, 2	« »	8(8422) 31-00-00	+	+	+	+	+	+
.16/7	« »	8(8422)73-44-22, 8(8422) 73-29-19	+	+		+	+	+
.378	« - »	8(87875) 7-44-82	+	+	+			

148	« » -	8(3472) 77-12-62	+		+			
153, 42, 7	« »	8(347) 279-90-70, 8(347) 241-62-02						+
15	" "	8(86391) 2-18-06	+		+			
36	« »	8(8352) 62-30-97, 8(4942) 63-20-98	+		+			
102 ( )		8(351) 772-72-05, 8(351) 772-73-66, 8(351) 772-69-01	+	+	+	+	+	+
8 ( )		8(351) 239-39-34, 8(351) 239-39-35	+	+	+	+	+	+
18	« »	8(8202) 54-31-88	+		+	+	+	+
340" "	« - »	8(8782) 27-30-60, 8(8782) 27-70-77	+	+	+	+	+	+
48, 11	" . ."	8(8782)25-04-66, 8(8782)25-19-15	+	+	+	+	+	+

1		8-904-345-83-18	+	+	+	+	+
3-21	« »	8 (84722) 9-52-07, 8-937-469-52-07	+	+	+	+	+
57	« - »	8(8453) 55-80-89, 8-964-848-45-06	+		+	+	+
12	« - »	8 (4852) 25-94-83	+		+		

UA

2

«Saturn Home Appliances»

- 1.
- 2.
- 3.
- 4.
- 5.
- 6.
- 7.
- 8.



32	' , 9	-	096-729-4038,067-484-9888	+	+	+
33	' , 76		(04597) 57393	+	+	-
34	' , 161	-	(04736) 629-49	+	+	+
35	' 1 ,	-	(044) 591-11-90	+	+	+
36	' , 1	" "	(044) 4269198	+	+	-
37	' , 9 57	-	(044) 369-5001 (063) 486-6999	+	+	+
38	' , 10		(06272) 2-62-23, (050) 279-68-16	+	+	+
39	' , 1	" "	(0522) 301-456	+	+	+
40	' , 2		(0522) 35-79-23	+	+	+
41	' , 98	-	(0522) 270-345,349-585	+	+	+
42	' , 13		(097) 264-21-67, 776-67-70	+	+	+
43	' 3, .5	" "	(04142) 5-05-04	+	+	+
44	' , 15-106		(06264) 5-93-89	+	+	+
45	' , 7		(050) 526-06-68	+	+	+
46	' , 44, .1		(05366) 39-192	+	+	-
47	' , 42		(056) 401-33-56, 404-00-80, 474-61-03	+	+	+
48	' , 9		(056) 4092302 03	+	+	+
49	' , 64/7		(0564) 40-07-79	+	+	+

50	' , 73	" "	(056) 440-07-64	+	+	+
51	' , 81		(050) 214-91-73; (066) 017-02-03	+	+	+
52	' , 49	-	(0642) 505-783	+	+	+
53	' , 50		(0642)50-57-83	+	+	+
54	' , 96		(0642) 494-217, 33-11-86	+	+	+
55	' , 1	-	(0332)290752	+	+	+
56	' , 15		(032) 244-53-44	+	+	+
57	' 35 ,	" "	(032) 2973631	+	+	+
58	' 2 ,		(032) 247-14-99	+	+	+
59	' , 116	" - "	(032) 245-80-52	+	+	-
60	' , 28		(032) 239-51-52 (032) 239-55-77,295-50-28, 295-50-29	+	+	+
61	' , 9	" "	032-267-63-26	+	+	-
62	' 242 ,		(062)322-55-50	+	+	+
63	' , 2	-	04337-64847;0432-468213	+	+	+
64	' , 24/1		(099) 262-11-18	+	+	+
65	' , 46		(03131)37-337, 37-336	+	+	-
66	' , 50 , 32/18		(0629) 41-06-50	+	+	+

67	, 227	" - "	(0629) 473-000	+	+	+
68	, 33,	" "	(0512) 580-555	+	+	+
69	, 49	" "	0512-58-21-80	+	+	+
70	, 2		(0512) 58-06-47	+	+	+
71	, 62	-	(05662) 22-488, (097) 402-71-95	+	+	-
72	, 97, .2	" , - "	(05662) 4-15-03	+	+	-
73	, 38		(055) 497-26-17	+	+	-
74	, 38	" "	(041)4152010	+	+	-
75	, 66 ( ) 2)		048-7317704; 7317703;	+	+	+
76	, 90		(048) 700 17 37	+	+	+
77	, 55	" "	(048) 715-10- 25, (0482) 39- 06-18	+	+	+
78	, 67	" "	8(05632) 6-15- 54, (05632) 6- 23-42	+	+	-
79	, 26		050-013-72-17, 0532-509889	+	+	+
80	, 14		(0532) 69-42-62	+	+	+
81	, 21	-	(0532) 69-09-46 (093)562-81-25	+	+	+
82	, 66		(0532)615-621	+	+	+

83	, 371	-	(04637)53-982 (093)753-38-28	+	+	+
84	, 101/1		(046) 3738595	+	+	+
85	, 12	-	(0362) 26-67- 53,26-65-85	+	+	-
86	, 26		(0692) 55-56- 43, 45-36-99	+	+	+
87	, 72	-	(0652)-69-07-78	+	+	+
88	, 17/1	" - "	(0652) 522-771	+	+	+
89	, 32	-	(04733)-46-182	+	+	-
90	15 ( )		(06444)40289	+	+	+
91	, 171 /10	-	(245) 53-136	+	+	+
92	, 19		(0542) 705-296	+	+	-
93	, 17	SLT- Service	(0542) 78-10-13	+	+	+
94	, 2	" "	(0352) 26-30- 13, 23-17-97	+	+	-
95	, 1/24	" - "	(047) 44-46- 614,(047) 44- 46-134	+	+	+
96	, 101		(0312) 661-297	+	+	+
97	, 12		(057) 717-13- 39, 702-16-20	+	+	+
98	, 3		(057) 734-97- 24, 712-51-81	+	+	-
99	18 ( - 42 )	" "	(096) 595-37-46	+	+	+
100	, 1		(03142) 42-258	+	+	+

101	' 5		(0552) 29-60-42	+	+	+
102	' ,28		(0552) 43-40-33	+	+	+
103	' ,35		(0552) 420-235	-	-	+
104	' ,18		(0382)78-37-55, 78-37-73	+	+	+
105	' ,10/1	-	(0382) 723-241, 723-240	+	+	+
106	' 63		097-549-20-36	+	+	+
107	' ,7, .301		0472-633-728	+	+	+
108	' ,71		(0472) 435-389	+	+	+
109	146, .102	" - "	(0472) 563-478, 500-354, (096) 505-63-63	+	+	+
110	' ,77- ,1		(0462) 601585	+	+	+
111	' ,6		(0462) 724872,724949	+	+	+
112	' ,105 ( )		(0372) 55-48- 69,90-13-11	+	+	+
113	' ,265		(0372) 58-43-01	+	+	+
114	' ,3	" - "	(050) 373-73-71	+	+	+
115	' ,5	( - )	(050) 324-43-01	+	+	-

GB

## WARRANTY COUPON

**When purchasing the product,  
please require its checking before you;  
BE SURE  
that the goods sold to you, are functional and complete  
and that the warranty coupon is filled in correctly.**

This warranty coupon confirms the absence of any defects in the product you purchased and provides for free of charge repair of the product failed through the fault of the manufacturer throughout the period of warranty service and free of charge repair.

Failing the presentation of this coupon, in case of its improper filling in, infringement of factory seals (if any), and also in cases indicated in the warranty obligations, the claims are not accepted, and no warranty service and free of charge repair is made!

The warranty coupon is valid only in the original copy with the stamp of trading organization, signature of the seller, date of sale and signature of the buyer.

CZ

## ZÁRU NÍ LIST

**P i koupi výrobku  
žádejte o jeho vyzkoušení ve Vaší p ítomnosti,  
P ESV D TE SE,  
že Vám prodaný výrobek je dob e fungující a kompletní  
a že záru ní list je vypln n správn .**

Tento záru ní list potvrzuje, že na Vámi koupeném výrobku nejsou žádné vady a zajiš uje bezplatnou opravu nefungujícího p ístroje z viny výrobce, b hem celé záru ní doby.

Bez p edložení tohoto listu, p i jeho nesprávném vypln ní, porušení plomb výrobce (jsou-li na výrobku) a také v p ípadech, které jsou uvedené v záru ním list , nároky se nep íjímají a záru ní oprava se neprovádí!

Záru ní list je platný jenom jako originál s razítkem obchodní organizace, podpisem prodáv á, termínem prodeje a podpisem zákazníka.

RU

# Saturn®

WARRANTY COUPON

ZÁRU NÍ LIST

SATURN HOME APPLIANCES S.R.O. KON VOVA 141,  
13083 PRAHA 3 – ŽIŽKOV, ĚSKÁ REPUBLIKA, TEL: + 4202/ 67 108 392

Model /

Production number/Výrobní íslo/  
/

Date of sell/Termín prodeje/ /

Shop stamp/Razítko obchodu/ /

Seller's signature/Podpis prodava e/ /

Buyer's Signature confirming the acquaintance and consent with conditions of free of charge maintenance service of the product, and absence of the complaints on appearance and color of the product.  
Podpis zákazníka, potvrzující seznámení a souhlas s podmínkami bezplatného záru ního servisu výrobku, a také neexistence nárok na vn ěšek a barvu výrobku.



UA



<b>Saturn®</b>	<b>Saturn®</b>	<b>Saturn®</b>
Model / / .....	Model / / .....	Model / / .....
Production number / / .....	Production number / / .....	Production number / / .....
Name of the Trade Company / / .....	Name of the Trade Company / / .....	Name of the Trade Company / / .....
Stamp of the Trade Company / / .....	Stamp of the Trade Company / / .....	Stamp of the Trade Company / / .....
Client Address/Phone # / / .....	Client Address/Phone # / / .....	Client Address/Phone # / / .....
Date of Receiving/ / .....	Date of Receiving/ / .....	Date of Receiving/ / .....
Defect / / .....	Defect / / .....	Defect / / .....
Signature, Stamp / / , / .....	Signature, Stamp / / , / .....	Signature, Stamp / / , / .....
<b>COUPON 1</b>	<b>COUPON 2</b>	<b>COUPON 3</b>