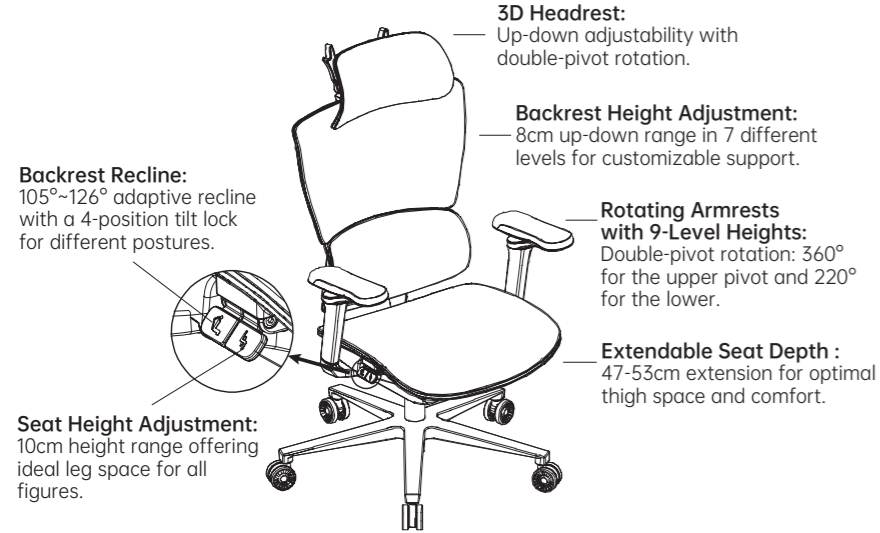
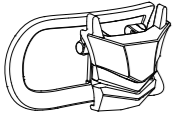
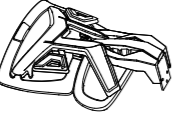
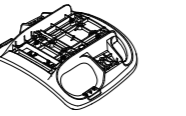
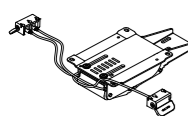
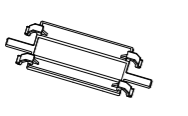
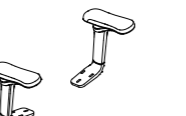
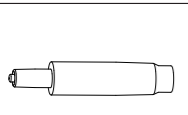
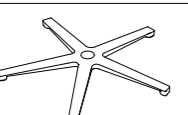
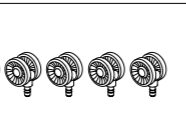
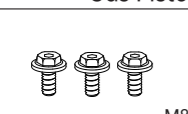
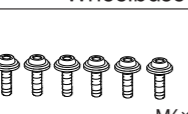
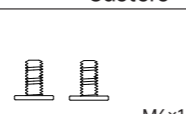

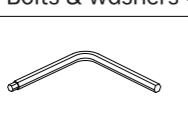
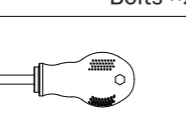


FEATURES

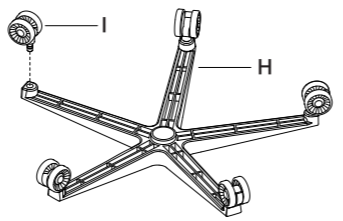


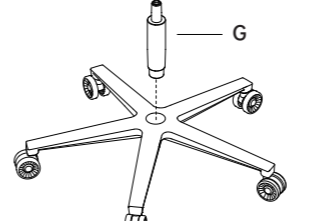
WHAT'S IN THE BOX

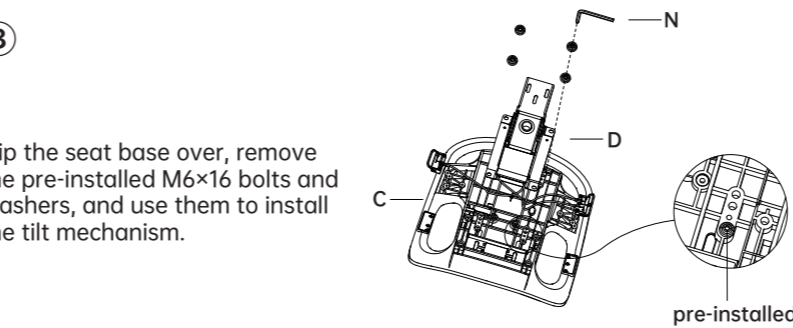
A  Headrest ×1	B  Backrest ×1	C  Seat Base ×1
D  Tilt mechanism ×1	E  Tilt Mechanism Wire Cover ×1	F  Armrests ×2
G  Gas Piston ×1	H  Wheelbase ×1	I  Casters ×1
J  Bolts & washers ×3	K  Bolts & washers ×6	L  Bolts ×2
M  Screws ×6	N  Hex Wrench ×1	O  Screwdriver ×1

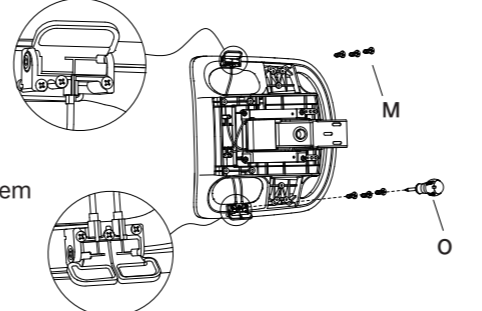
ASSEMBLY STEPS

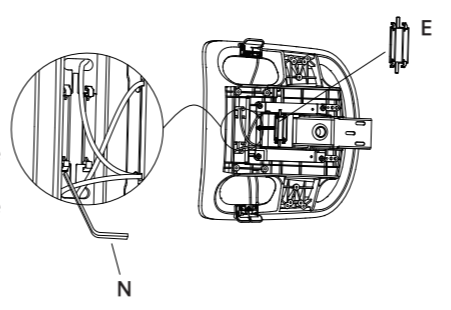
- Press the casters into the wheelbase.


- Insert the gas piston into the wheelbase.

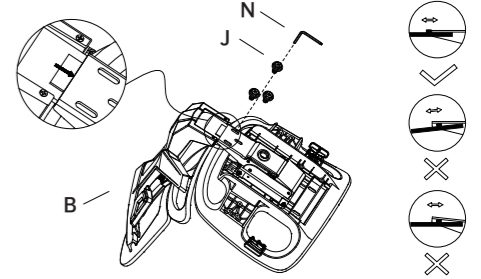

- Flip the seat base over, remove the pre-installed M6×16 bolts and washers, and use them to install the tilt mechanism.

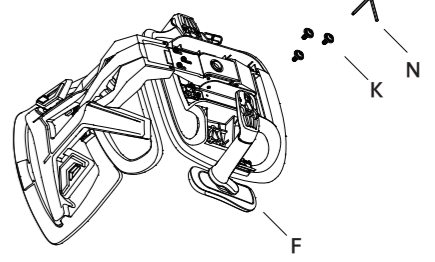

- Thread the tilt mechanism's levers through the hole on the seat base frame and secure them with ST4×35 screws.

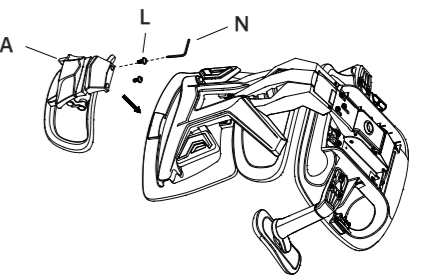

- Arrange the tilt mechanism wires to the hole's sides. Use your hands to click one end of the wire cover into the hole, then press the other end into place using the included wrench or a flat tool.

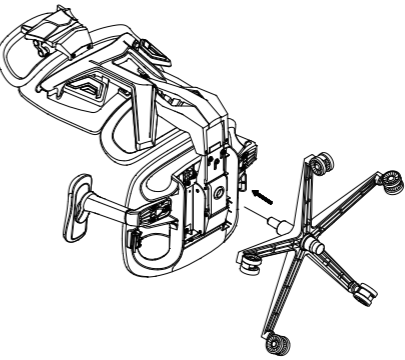


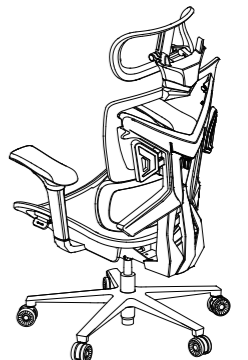
- Align the backrest to the seat base and secure them with M8×16 bolts and washers.


- Mount the armrests with M6×25 bolts and washers.

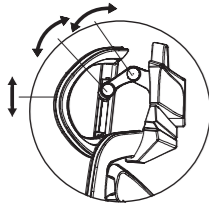

- Attach the headrest onto the backrest with M6×16 bolts.


- Place the gas piston into the seat base.


- Turn the chair upright to complete the assembly.

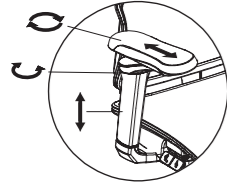


☰ HOW TO ADJUST



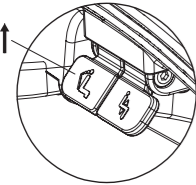
Headrest:

Hold with both hands to move it up-down or rotate 30° with front pivot and 38° with back pivot.



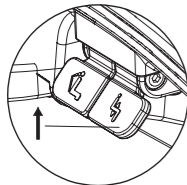
Armrests:

Hold armrests firmly to:
Move up or down to the ideal height.
Slide forward or backward.
Rotate the upper pivot 360° or the lower pivot 220°.



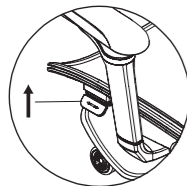
Backrest Recline:

Lean back gradually to the desired angle and pull the recline lever upward to lock in.



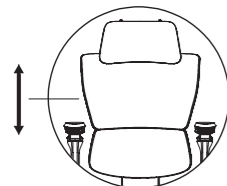
Seat Height(while sitting):

To raise: Stand on your feet, pull the height lever upward, and release to lock in.
To lower: Pull the height lever upward and release to lock in.



Seat Depth:

Pull the left-side lever upward, move the seat with your hip to the ideal depth, and release the lever to lock in.



Backrest Height:

Using both hands, lift the backrest with steady and gradual force. For the lowest height, lift it rapidly to the highest and release.

! ASSEMBLY TIPS

1. Closely follow the Assembly Steps and refer to the illustrations for correct assembly.
2. Check every component in the box and confirm they are in working condition.
3. Safety gloves are recommended for assembly.
4. To prevent accidental component damage, assemble on a clean, even surface with a protective layer.
5. To prevent misalignment or uneven tightening, install each bolt halfway, adjust if needed, then fully tighten.
6. The gas piston stays tight in place once it's assembled.

If you need to disassemble the chair and pack it for transportation:

1. Lay it on its side, hold the gas piston firmly, and lightly twitch the seat or tap on its back side with a rubber hammer until it detaches from the gas piston.
2. Then tap on the wheelbase to get it loose from the gas piston.

Note: Please take safety precautions during this process. Any damage or safety issue that occurs from it is not covered by this product's warranty.

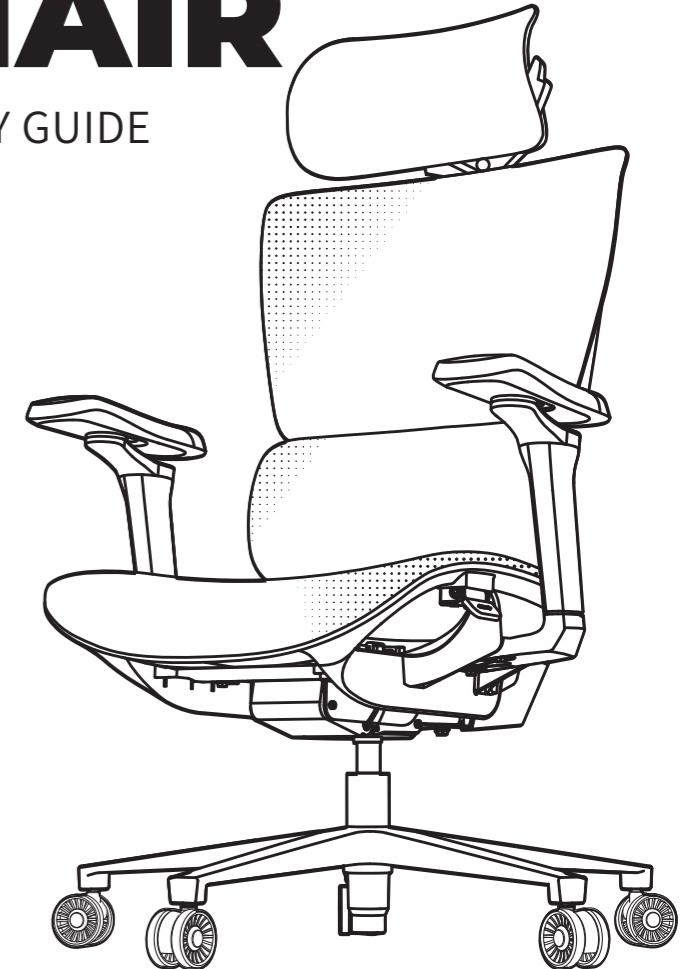
! USAGE TIPS

1. This is a single-person chair. Use it with only one person at a time.
2. Ensure all components are securely fastened before use. Inspect bolt tightness every 3 months to maintain safety.
3. Place the chair on a level surface. Avoid prolonged exposure to excessive moisture, heat, or direct sunlight.
4. For seated use only. Do not stand on the chair or sit on its armrests.
5. Clean the chair's surface before your first use. Wipe with a soft cloth only.
6. Avoid cleaners with high acid or alkaline, as they may corrode or damage the chair surface.
7. Use the chair features as shown in the How To Adjust section.
8. While reclining, lean back gradually and keep yourself balanced. Flinging back too hard or too far might cause tipping.
9. Do not take apart the gas piston for safety.

anda seat

X-AIR PRO MESH CHAIR

ASSEMBLY GUIDE



FOR THE WINNERS' CIRCLE