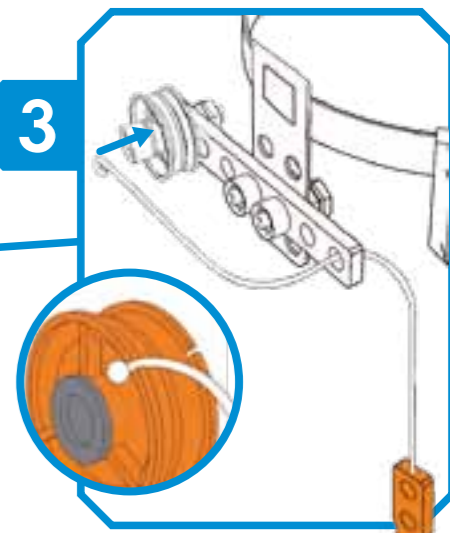
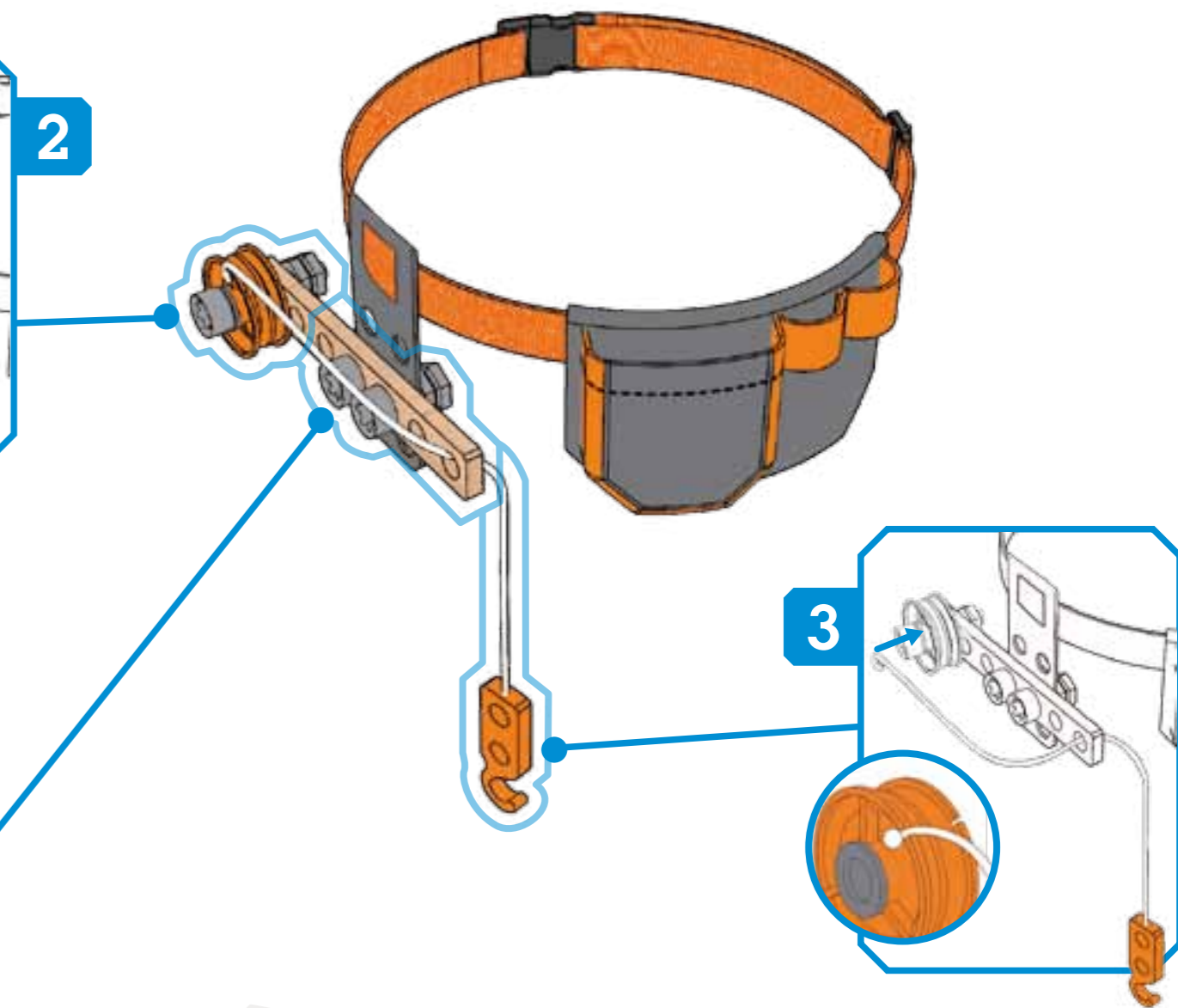
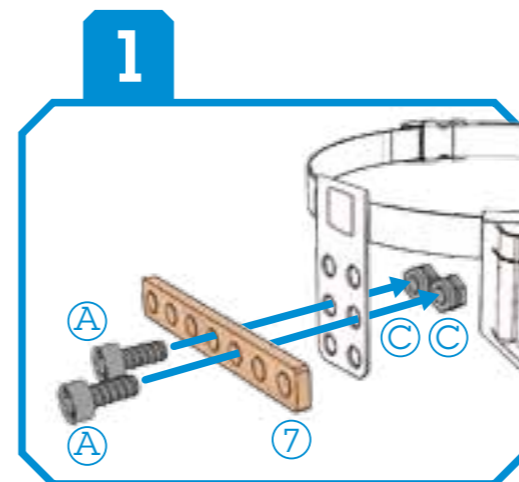
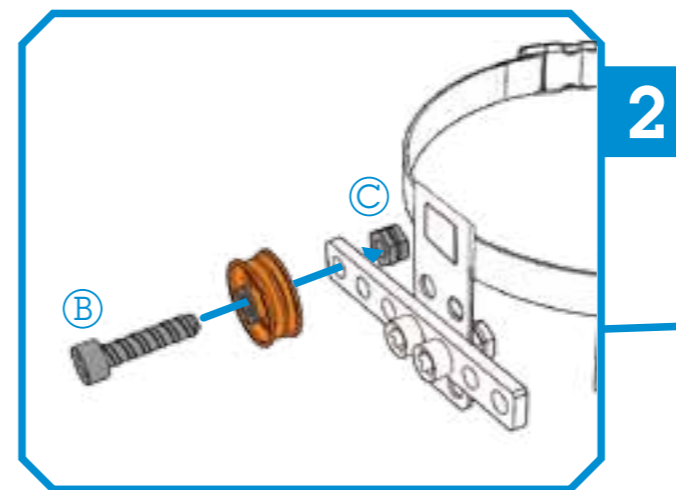
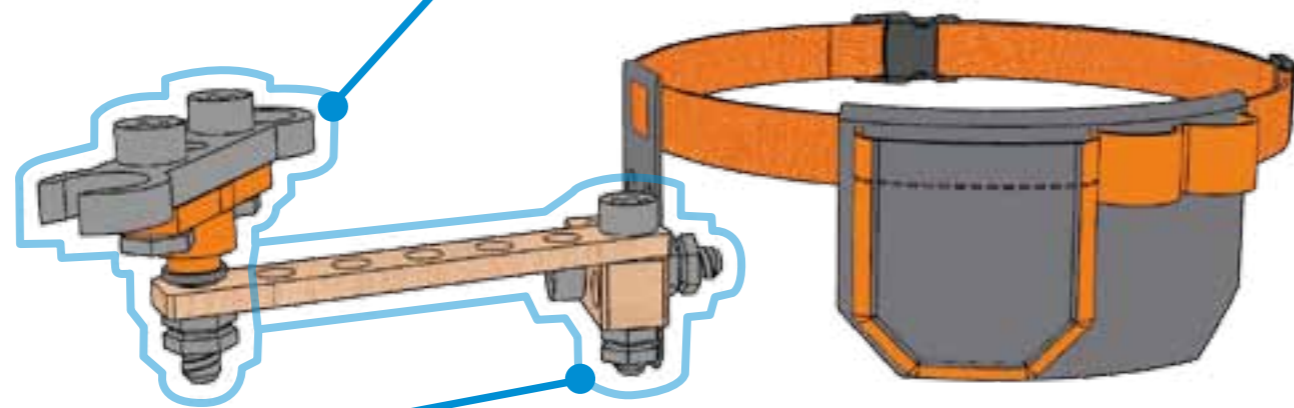
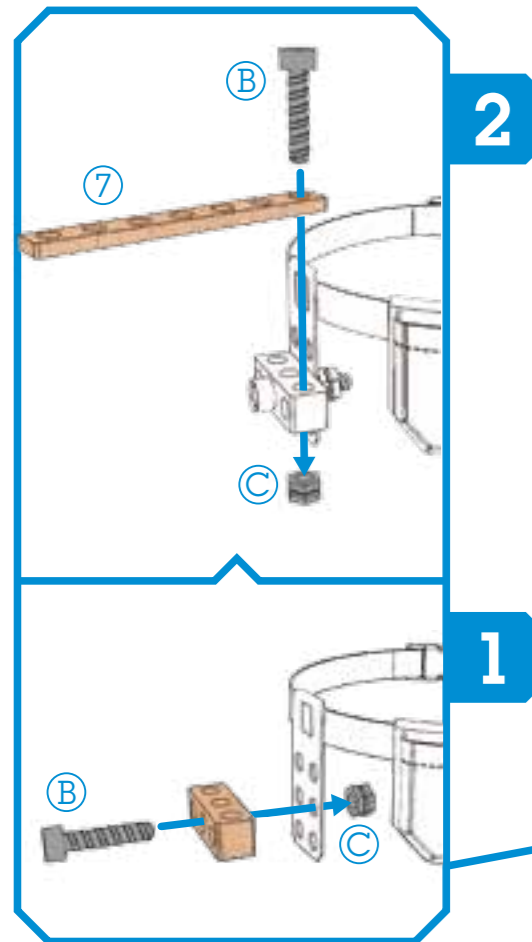
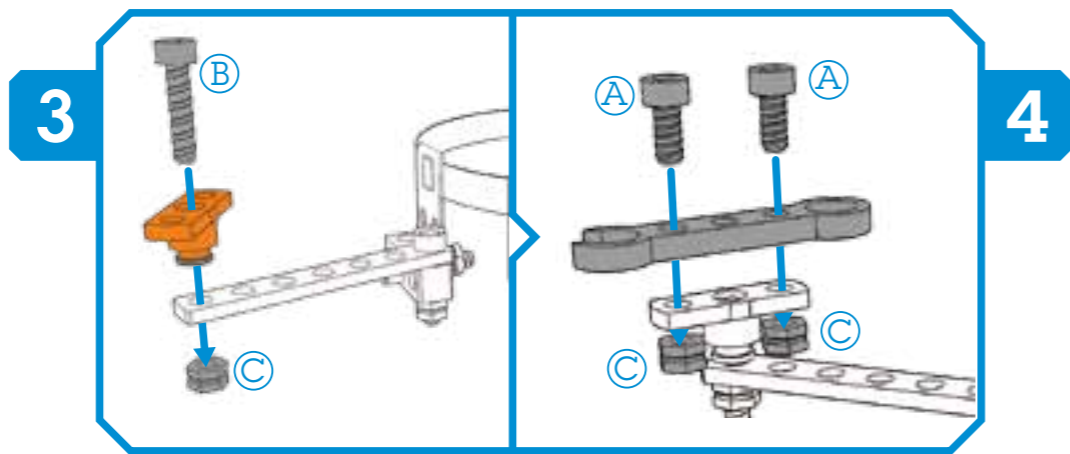


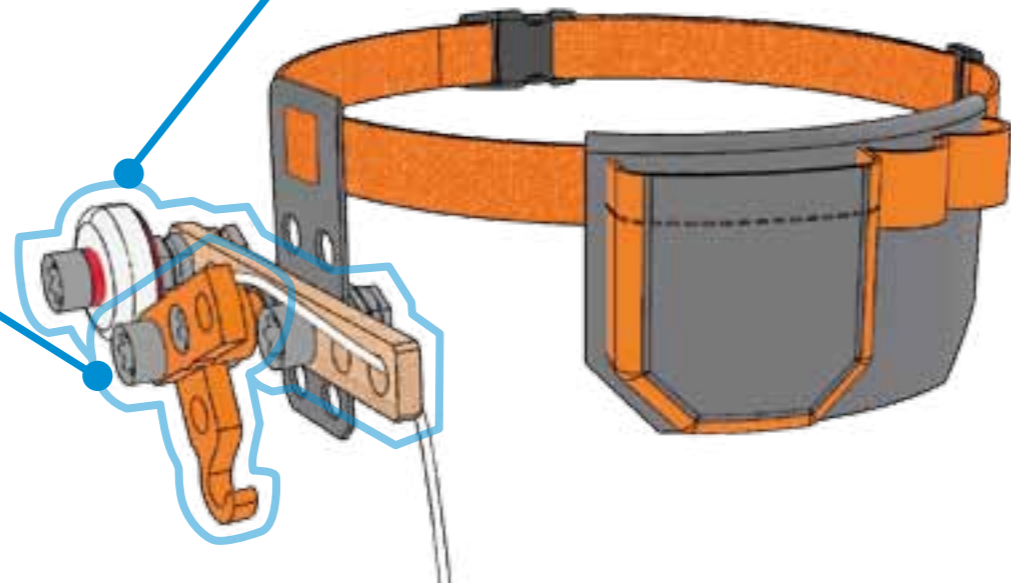
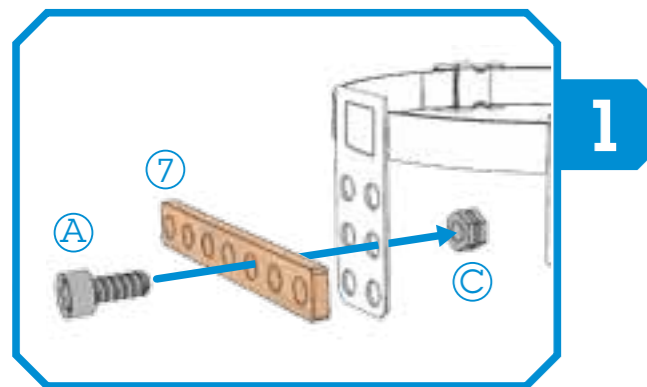
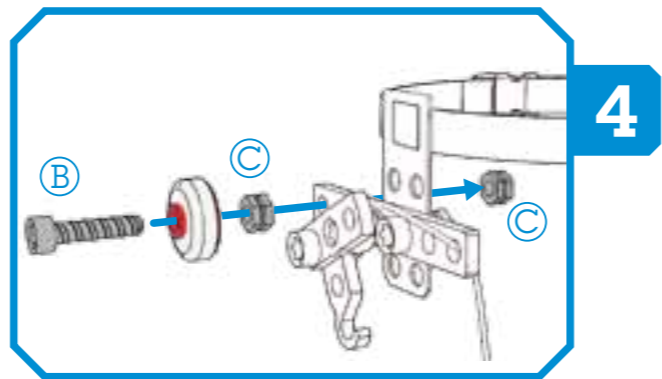
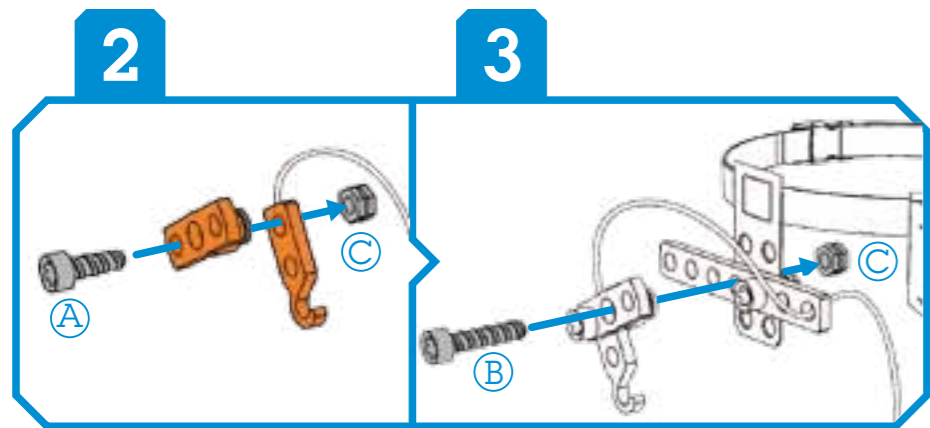


JUNIOR INVENTOR



E3035





INVENTOR: _____



**JUNIOR
INVENTOR**



**JUNIOR
INVENTOR**



INVENTOR: _____

INVENTOR: _____



H A P E . C O M

Hape International AG
Alsfelder Straße 41
35325 Mücke
Germany

Hape International Inc.
2nd Floor
199 Pembina Road
Sherwood Park, AB T8H 2W8
Canada