



# TECHNIC™

42200



LEGO® Builder



[LEGO.com/sustainable-packaging](https://LEGO.com/sustainable-packaging)

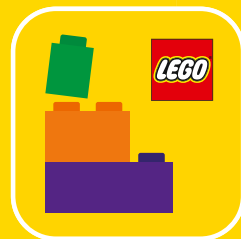


 <sup>FR</sup> **DONNEZ**  
OU  
**RECYCLEZ**

 OU  OU 

ASSOCIATION MAGASIN DÉCHÈTERIE

Adresses sur [quefairedemesdechets.fr](https://quefairedemesdechets.fr)



Q LEGO® Builder

# BUILDER

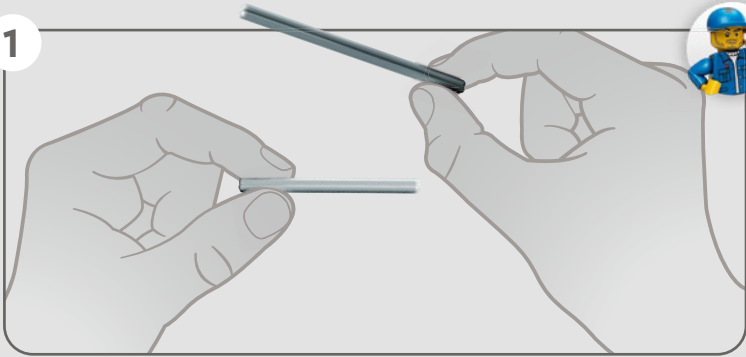


Apple and the Apple logo are trademarks of Apple Inc., registered in the U.S. and other countries and regions. App Store is a service mark of Apple Inc. Google Play and the Google Play logo are trademarks of Google LLC. Tencent and the Tencent logo are trademarks of Tencent Inc.

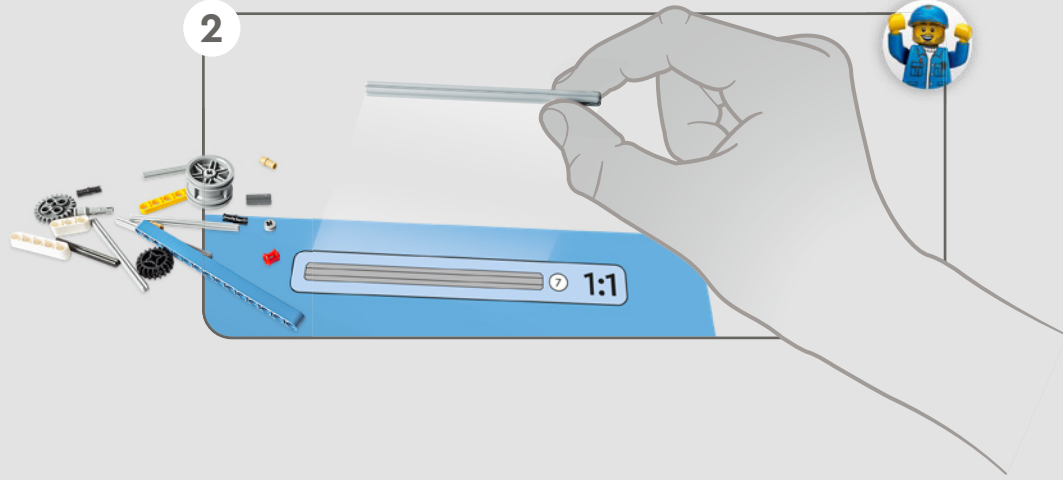
Q [LEGO.com/devicecheck](https://www.lego.com/devicecheck)

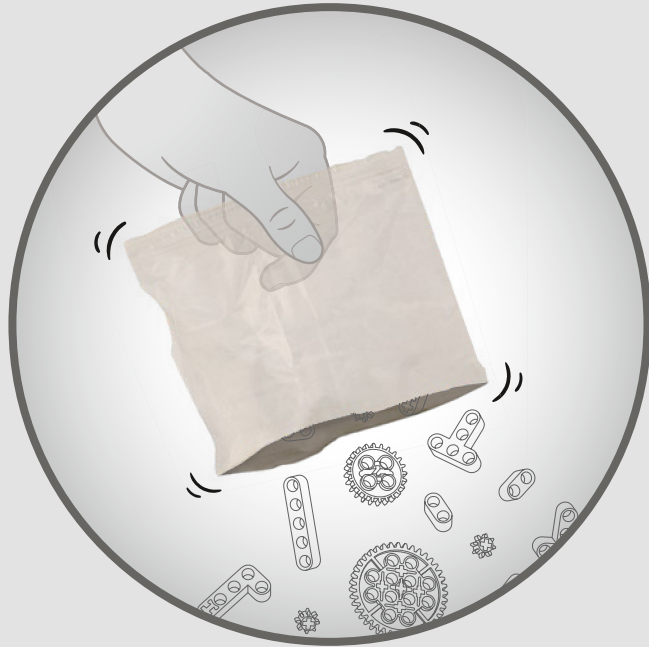
EN Ask parents' permission before going online | DE Eltern um Erlaubnis bitten, bevor du online gehst | FR Demande l'autorisation d'un parent avant d'aller en ligne | IT Chiedi il permesso ai tuoi genitori prima di andare online | ES Pídeles permiso a tus papás antes de conectarte a Internet | PT Pede autorização aos pais antes de acederes online | ZH 上网前应先征得父母的同意 | PL Poproś rodziców o zgodę, zanim wejdiesz do Internetu | CS Než půjdeš na internet, požádej rodiče o svolení | SK Skôr než pôjdeš na internet, vypýtaj si povolenie od rodičov | HU Kérj szülői engedélyt, mielőtt online csatlakoznál! | RO Cere permisiunea părinților înainte de a te conecta online | BG Поискайте разрешение от родител, преди да влезете онлайн | LV Pirms došanās tiešsaistē palūdz atļauju vecākiem | ET Enne Interneti kasutamist küsi vanematelt luba | LT Prieš prisijungdami prie interneto, atsiklauskite tėvų

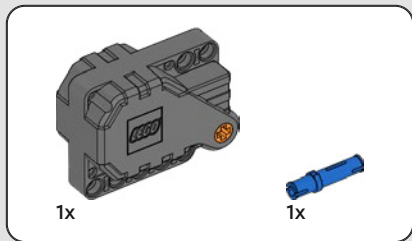
1



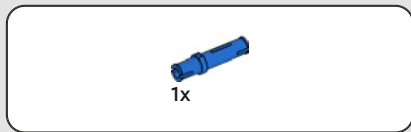
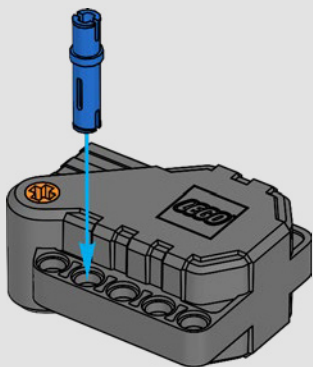
2



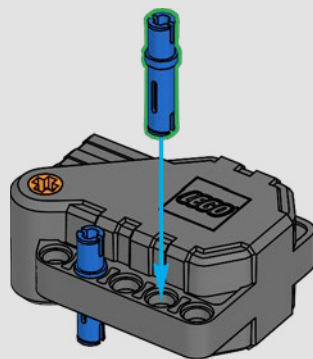


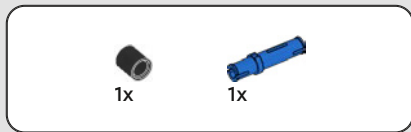


1

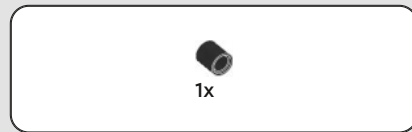
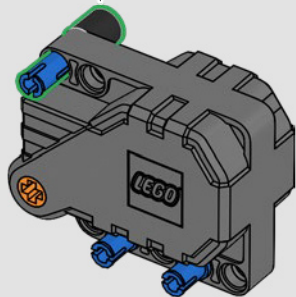
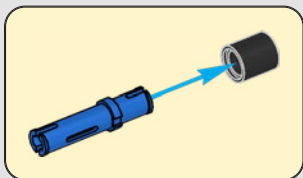


2

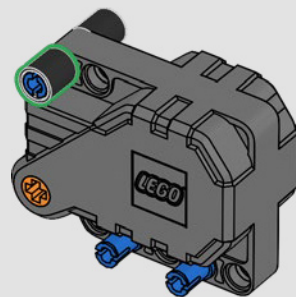


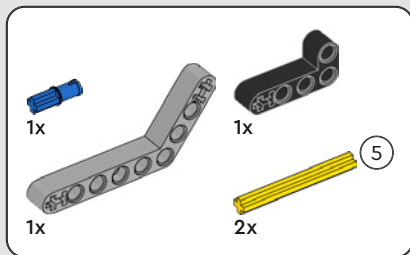


3



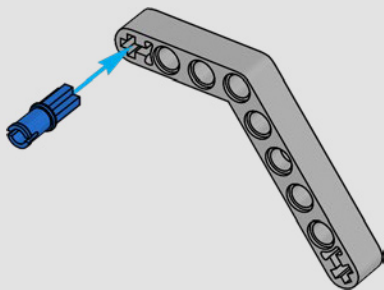
4



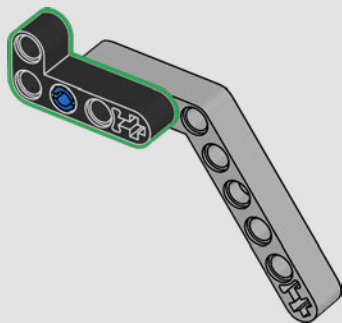


5

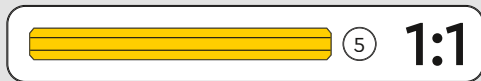
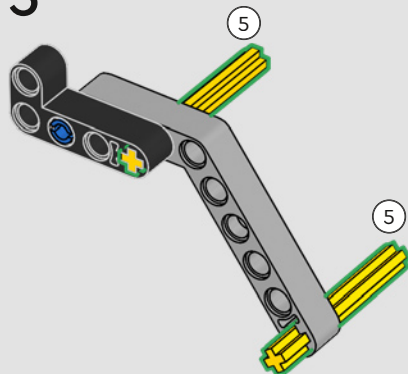
1



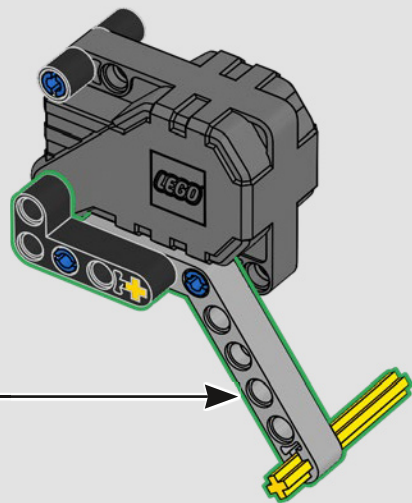
2

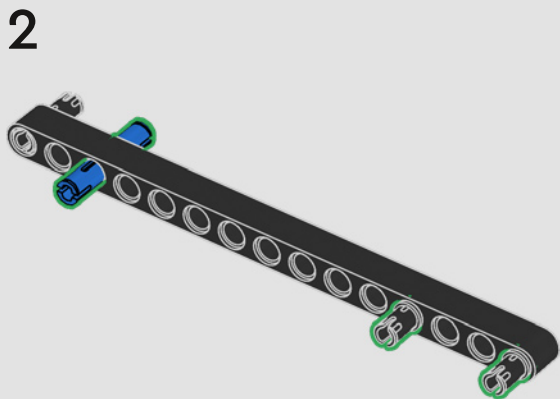
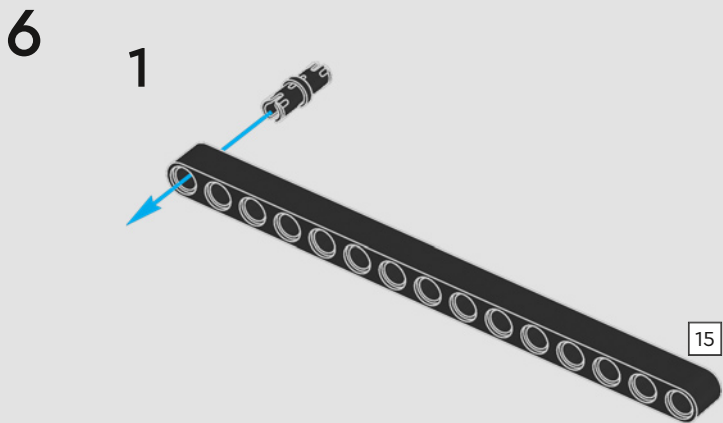
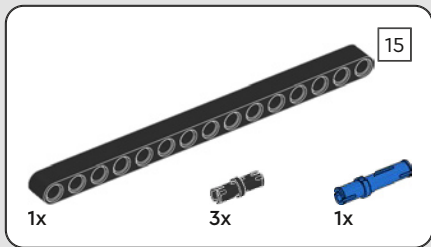


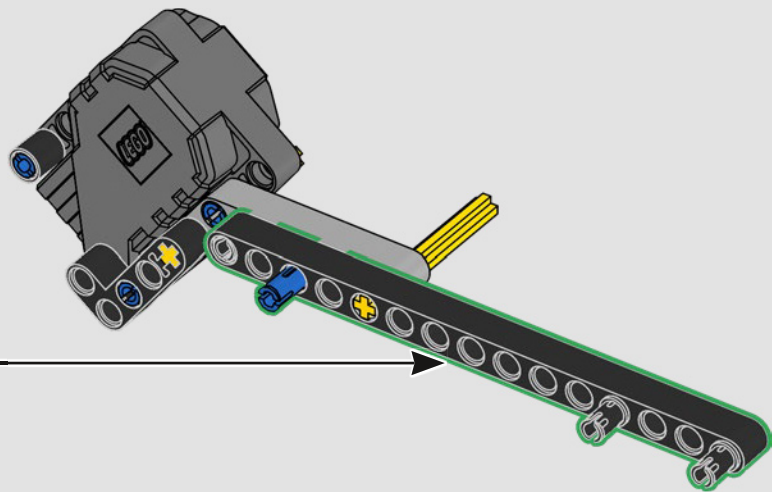
3

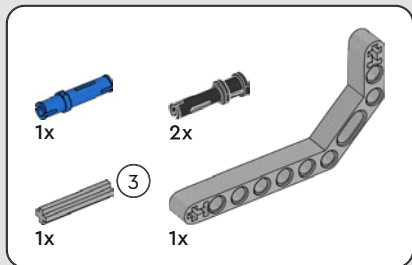






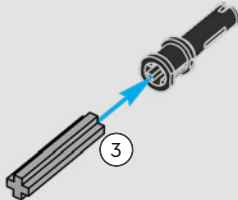




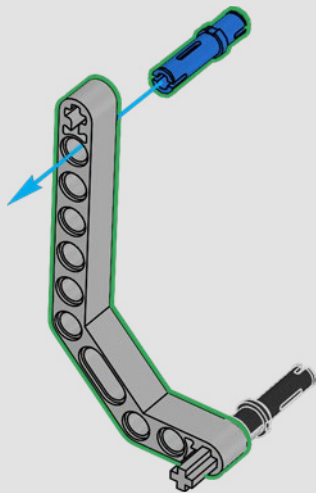


7

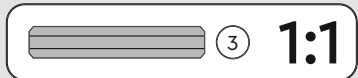
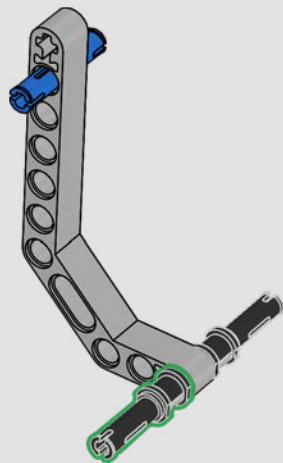
1

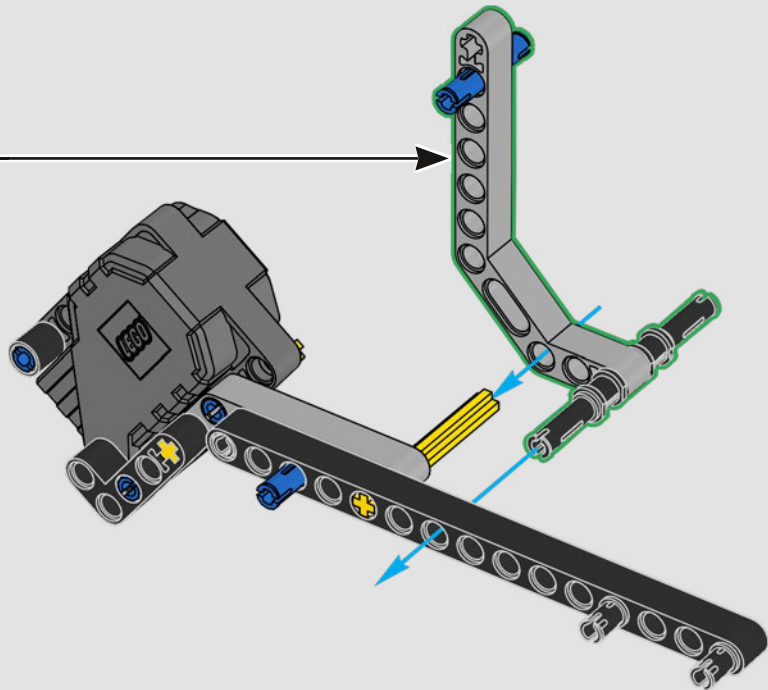


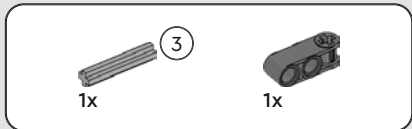
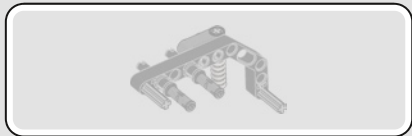
2



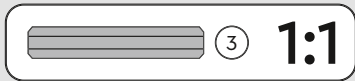
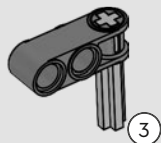
3



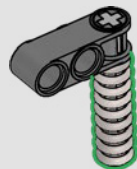




8



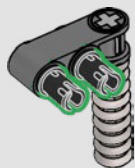
9





2x

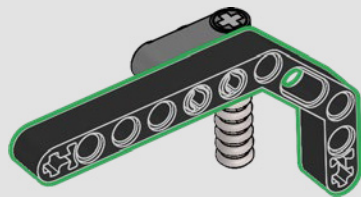
10

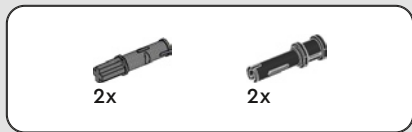


11

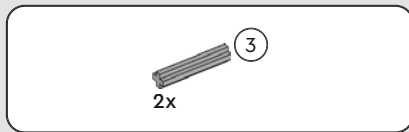
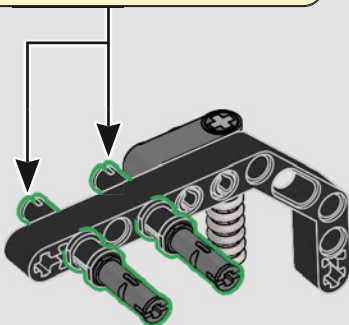
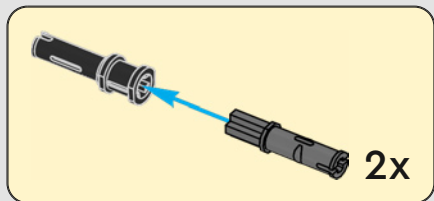


1x

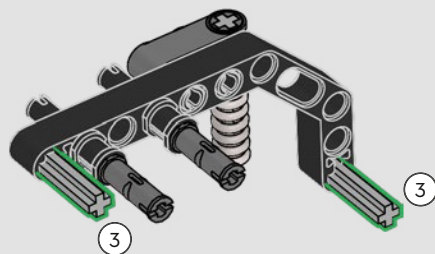




12

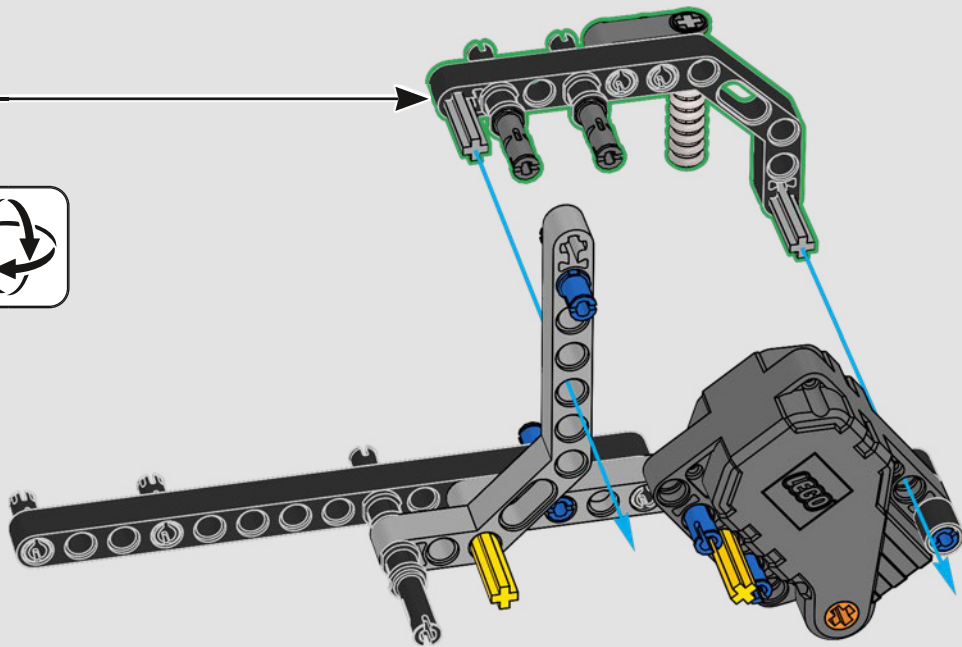


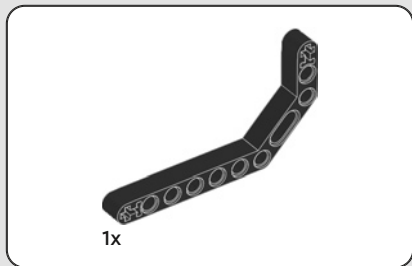
13



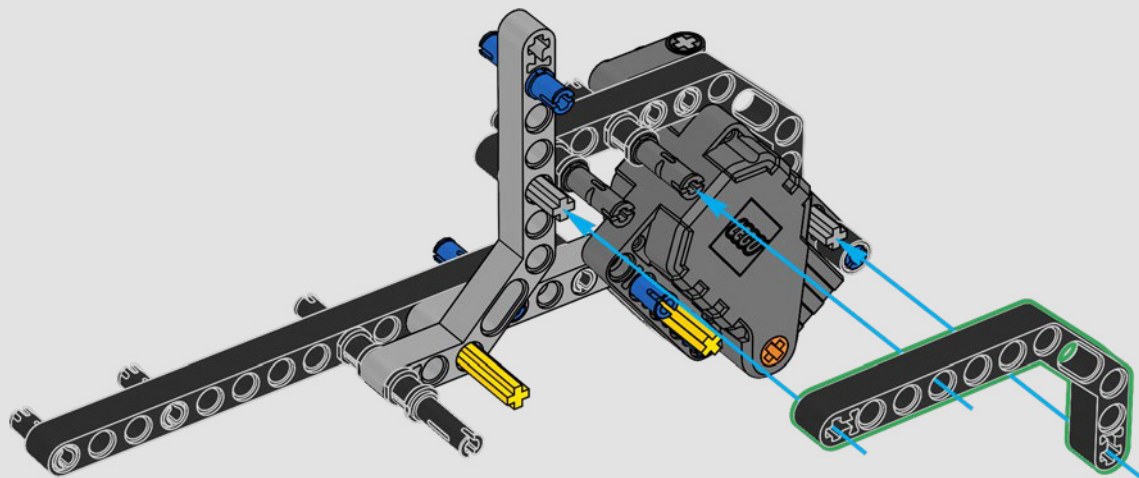


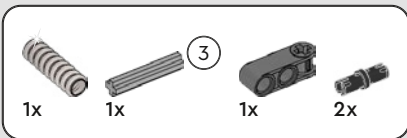
14



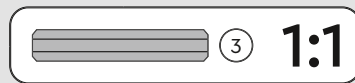
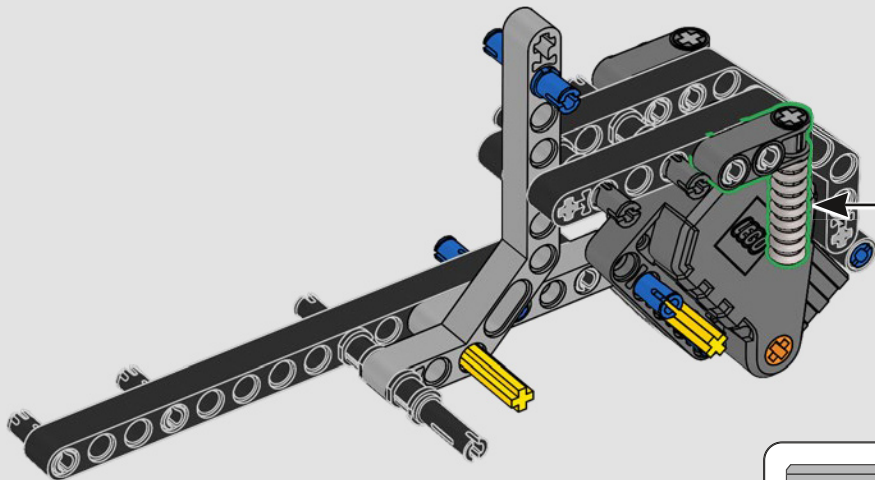
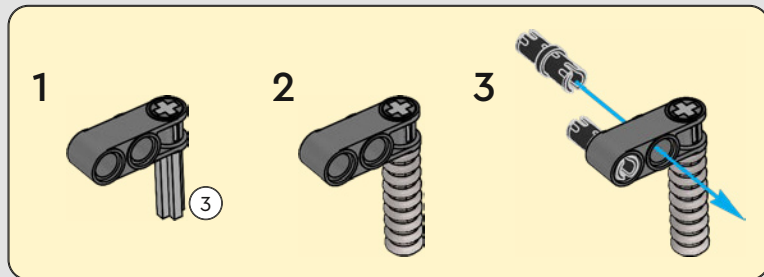


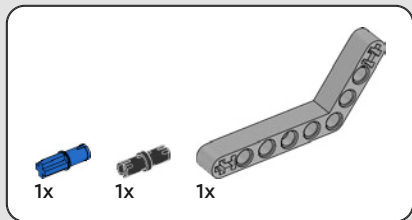
15



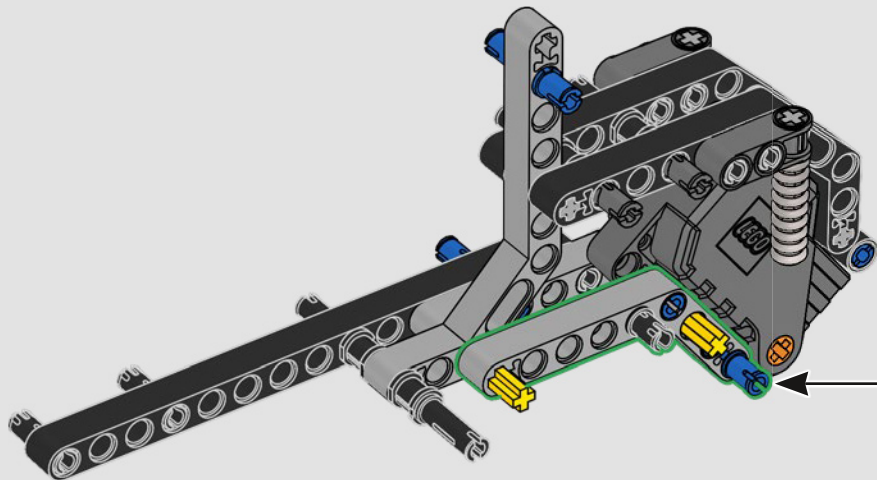
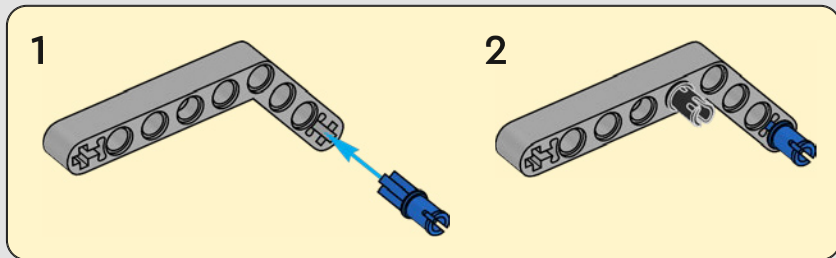


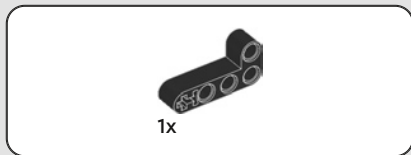
16



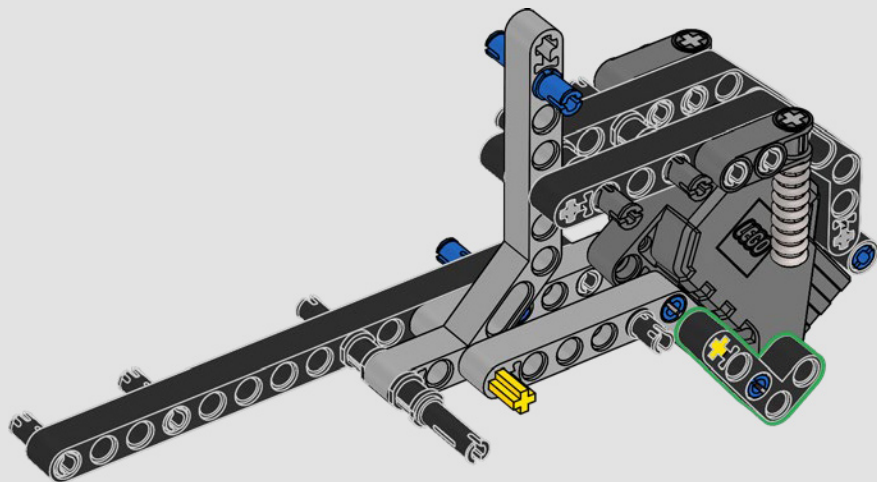


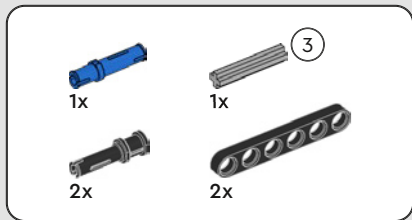
17





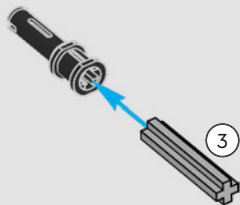
18



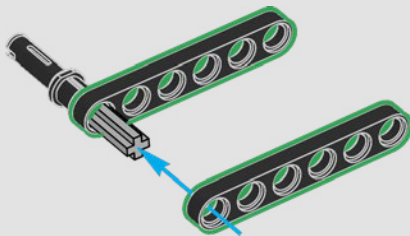


# 19

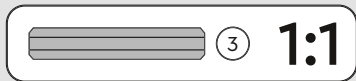
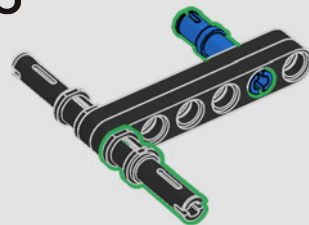
## 1

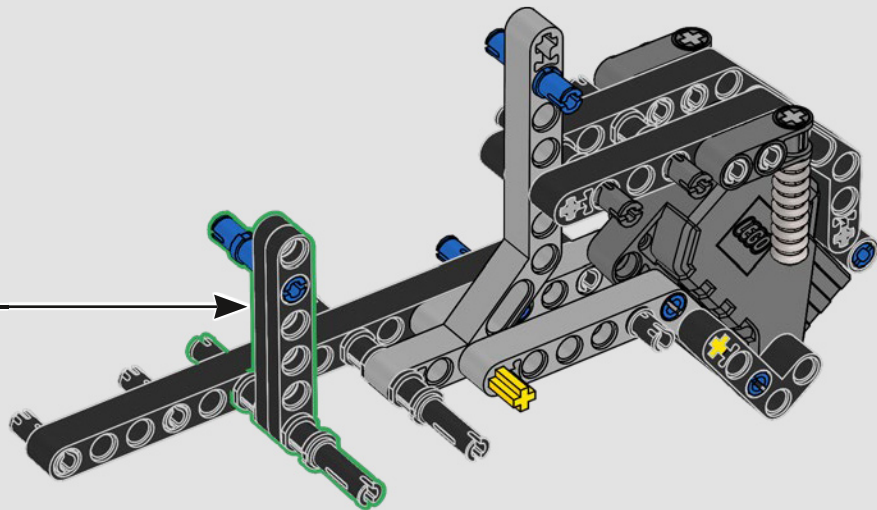


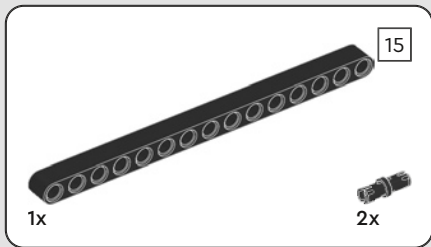
## 2



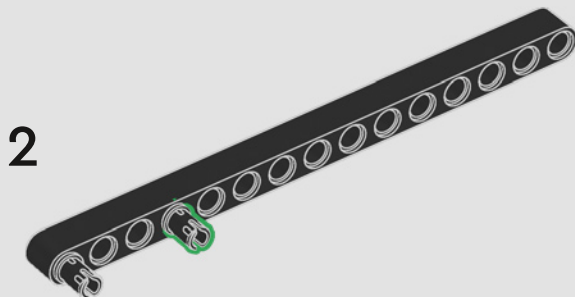
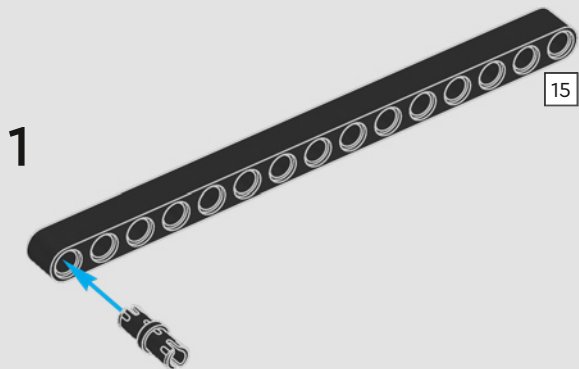
## 3



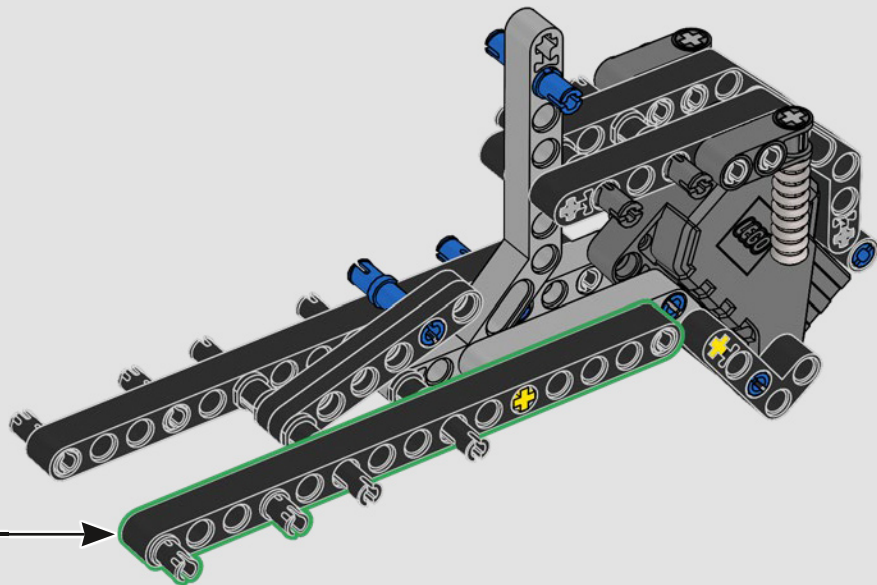


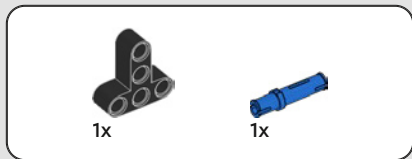


20

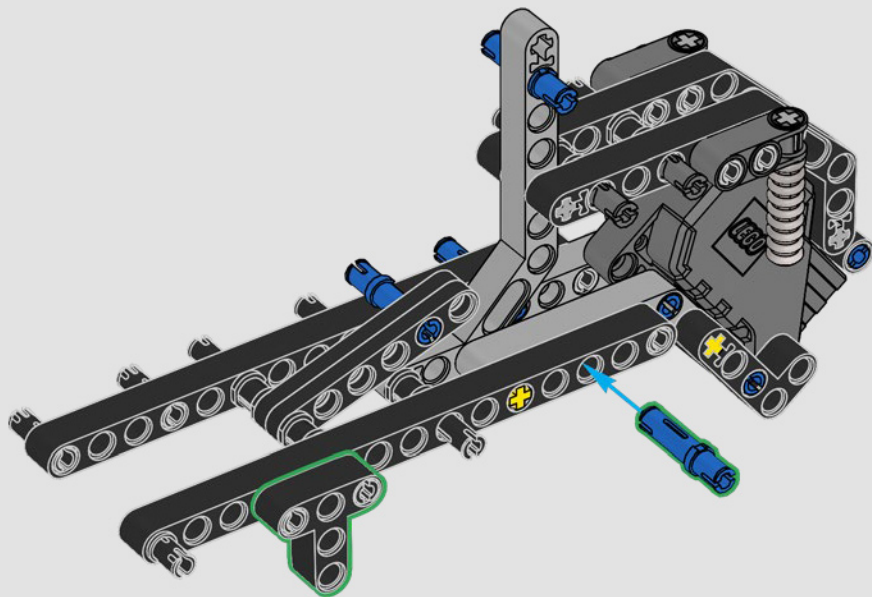


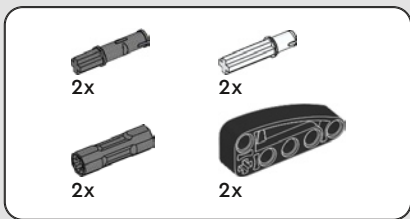






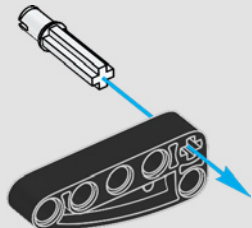
21



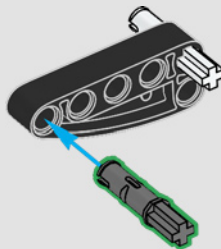


22

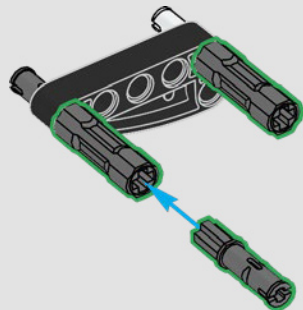
1



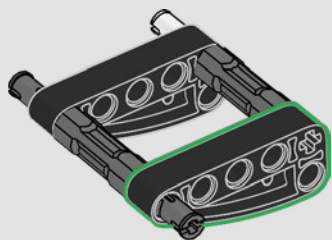
2



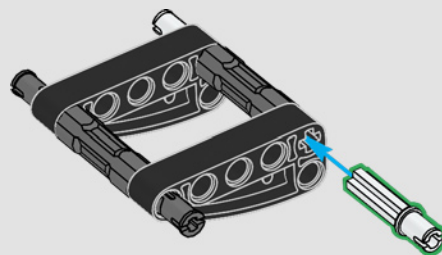
3

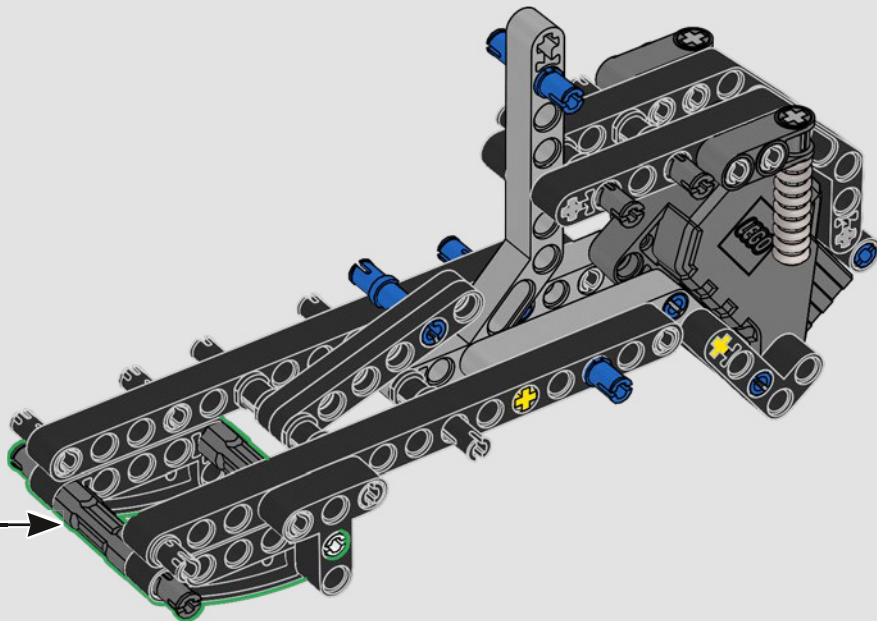


4



5

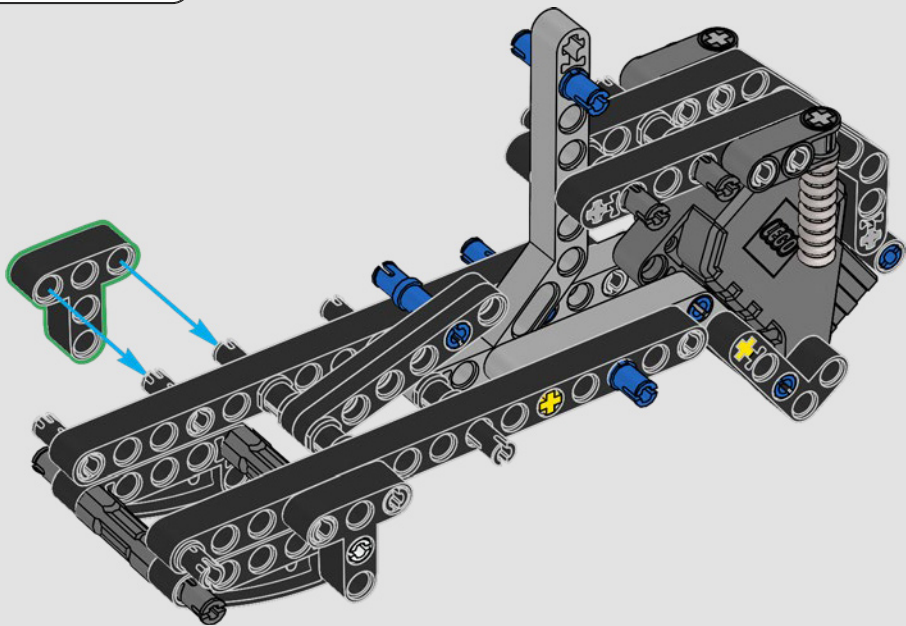






1x

23





2x

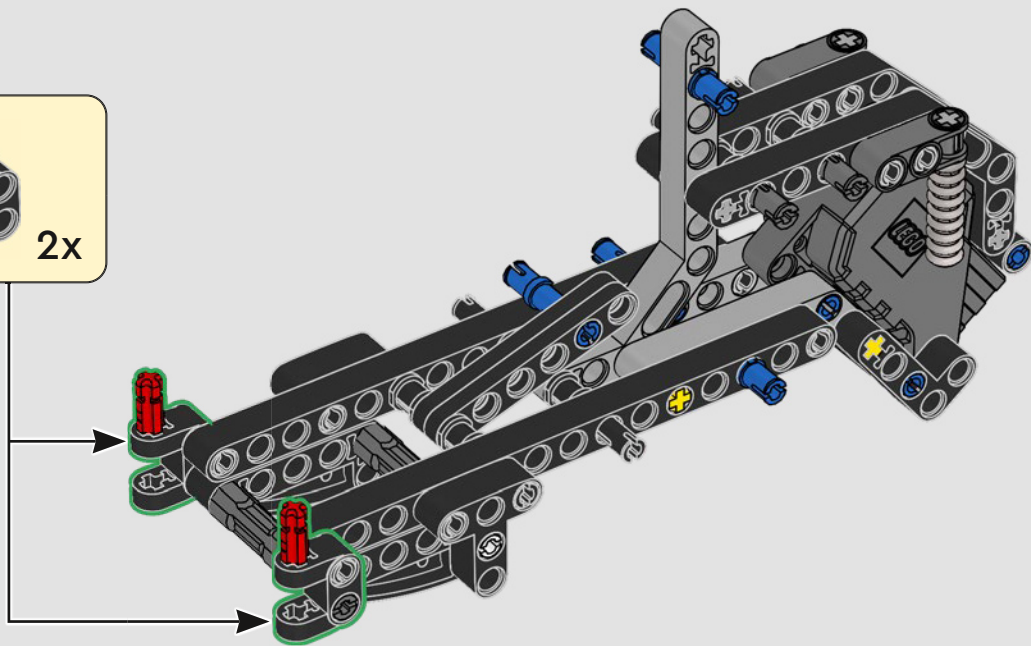


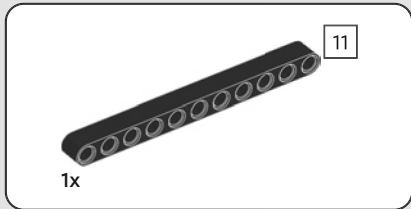
2x

# 24

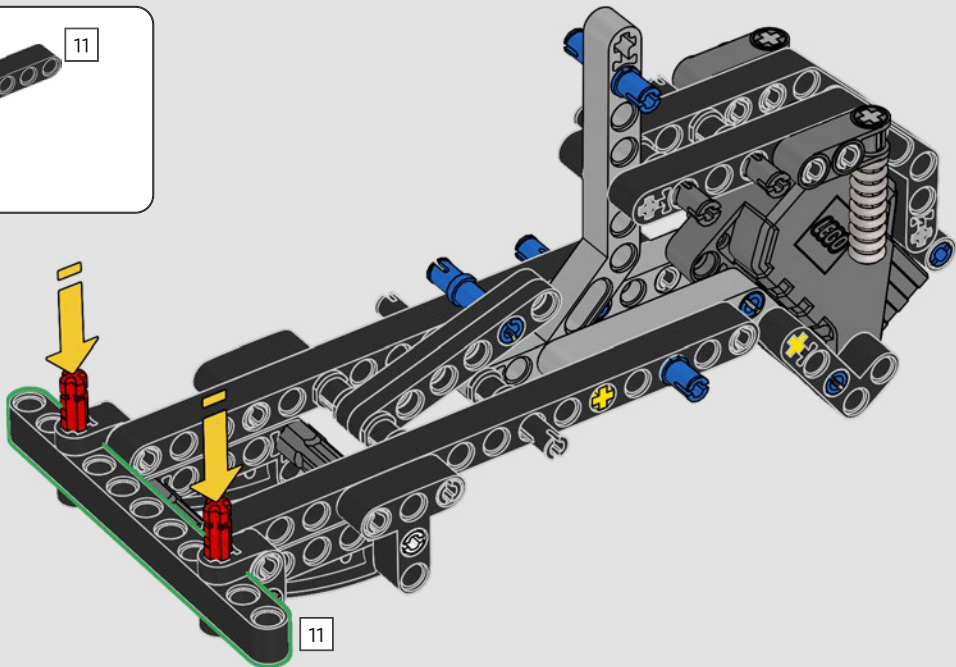


2x

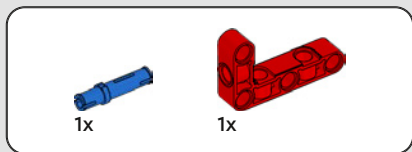
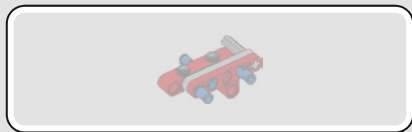




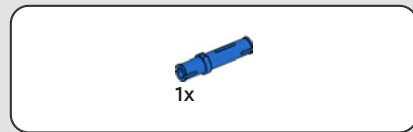
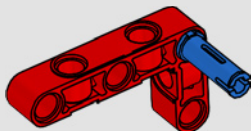
25



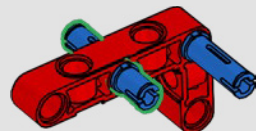




26



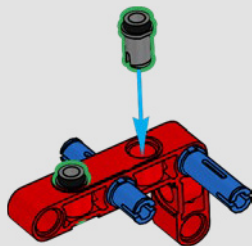
27





2x

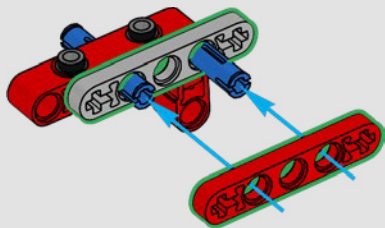
28



1x

1x

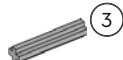
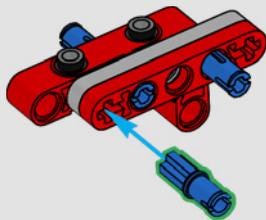
29





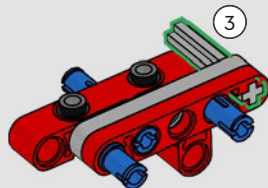
1x

30



1x

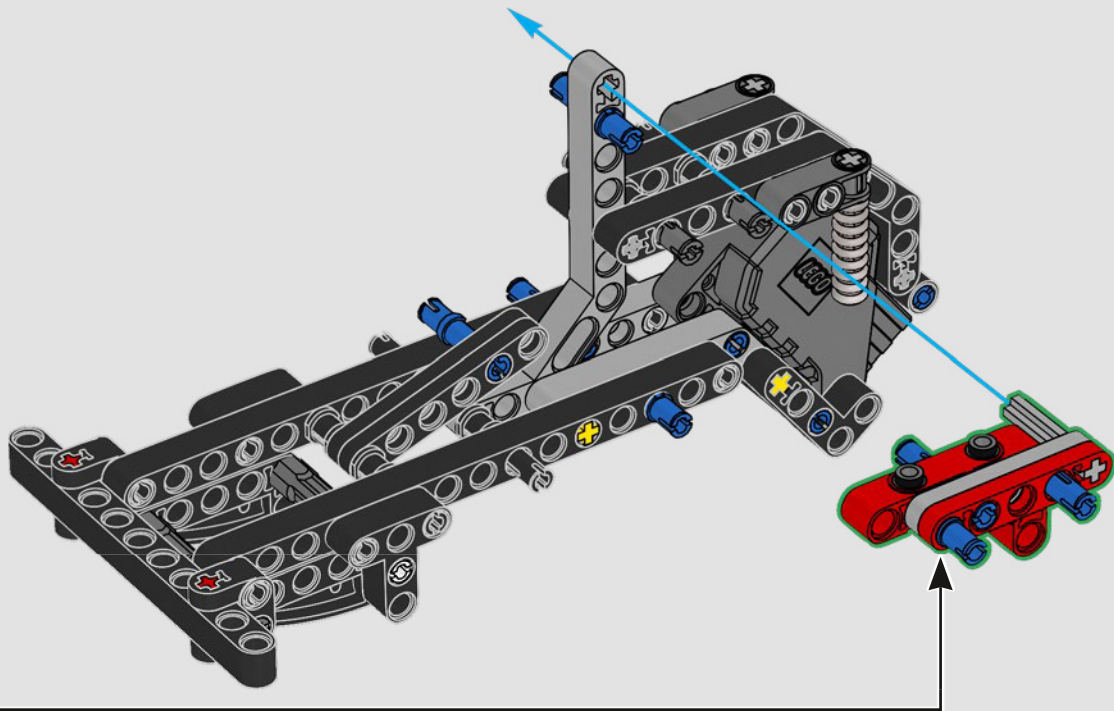
31

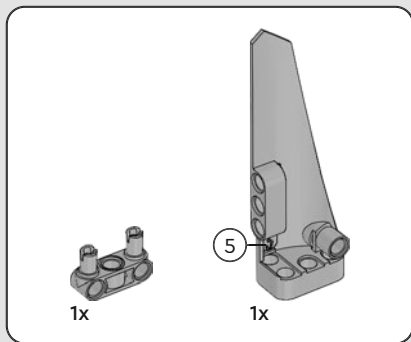


3

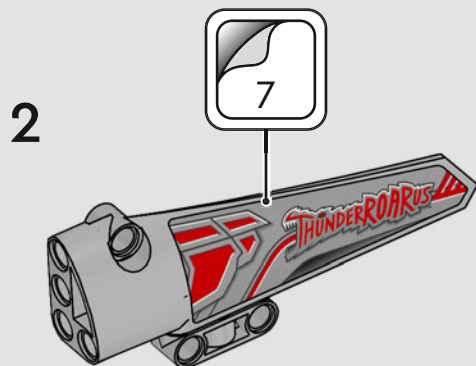
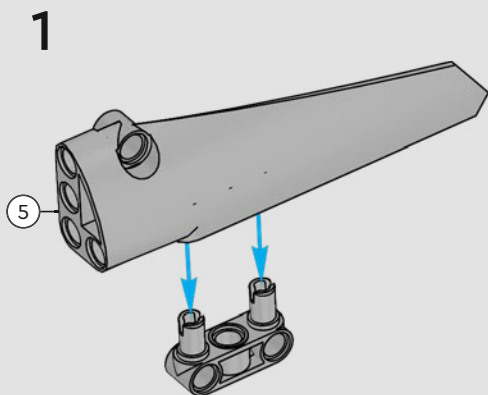
1:1

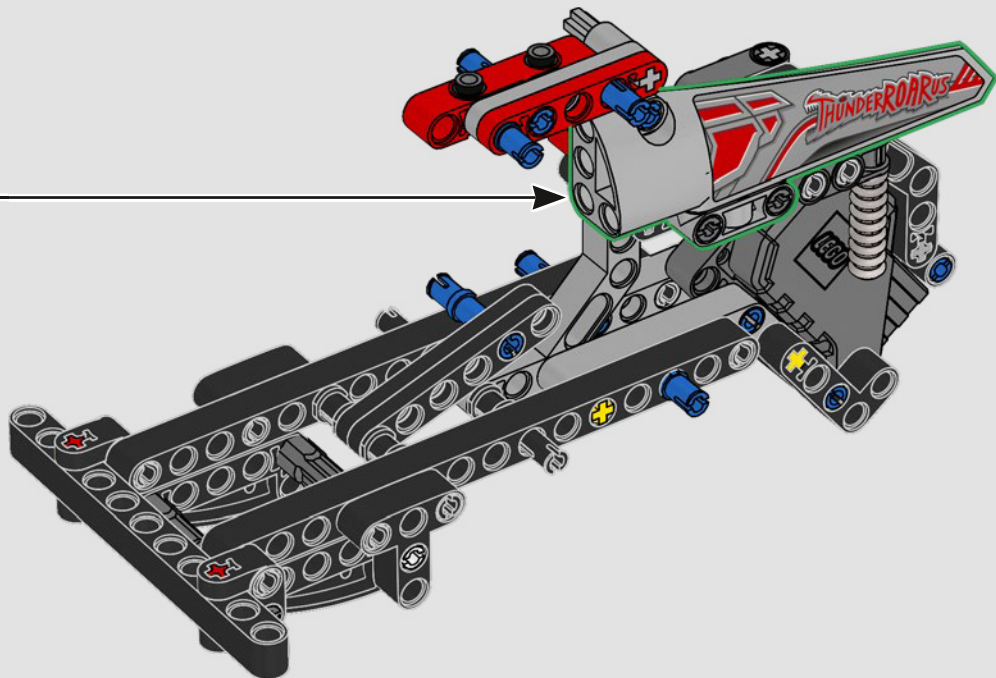
32

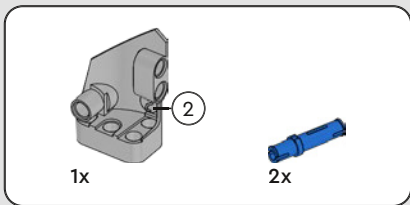
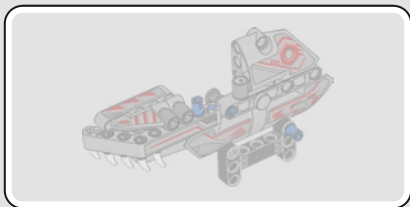




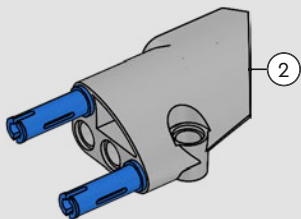
33



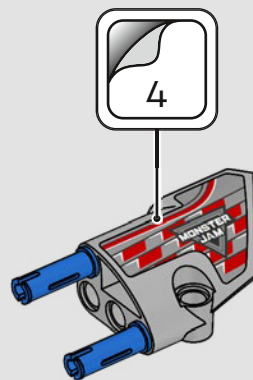




34



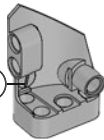
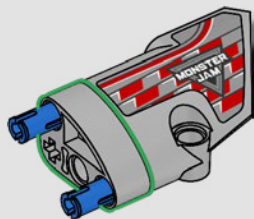
35





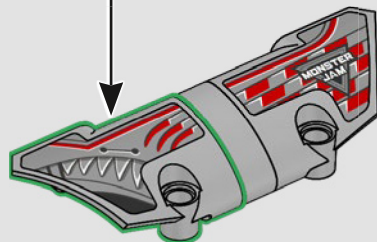
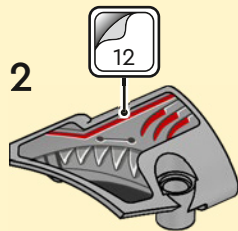
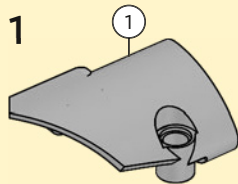
1x

36



1x

37

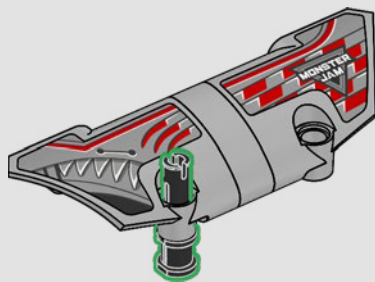


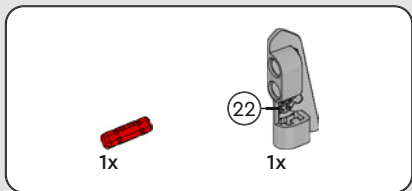
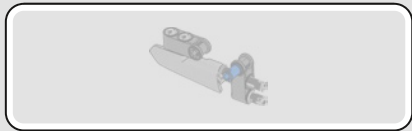




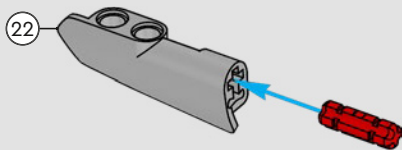
1x

38

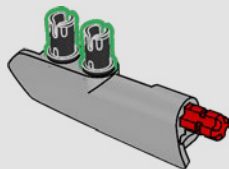




39



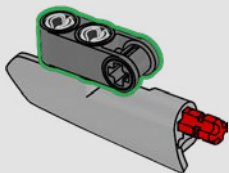
40





1x

41

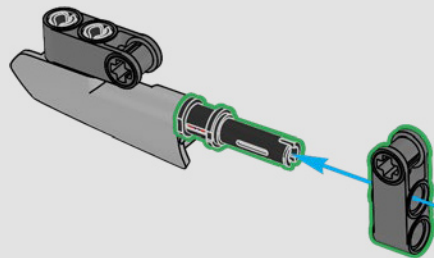


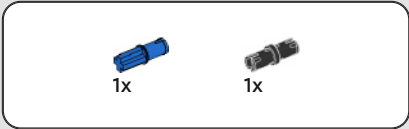
1x



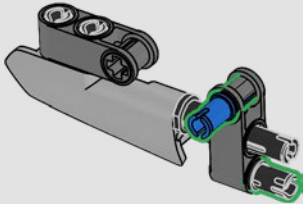
1x

42

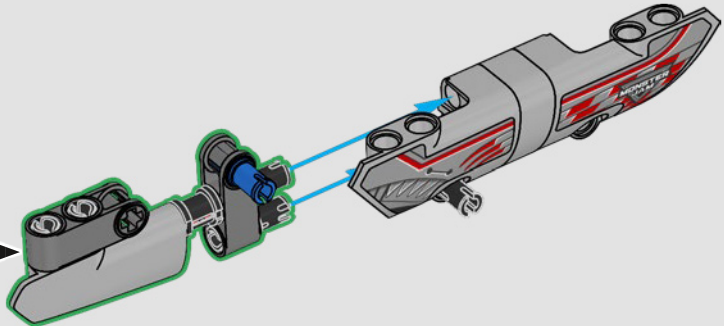


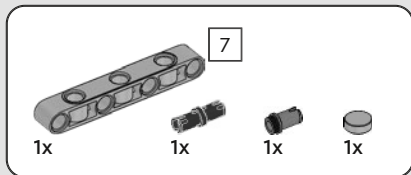


43

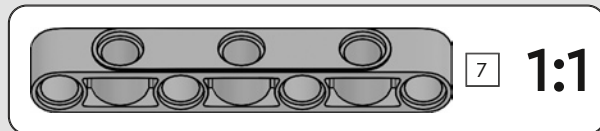
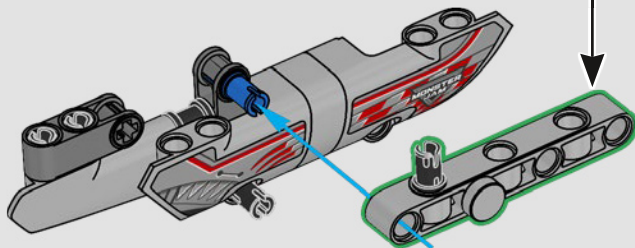
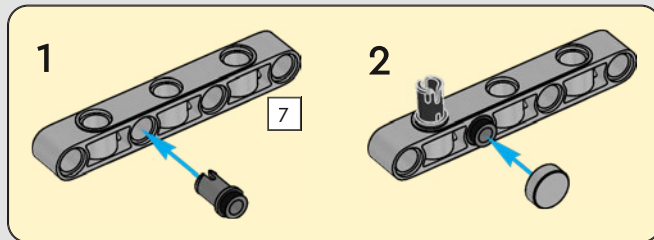


44





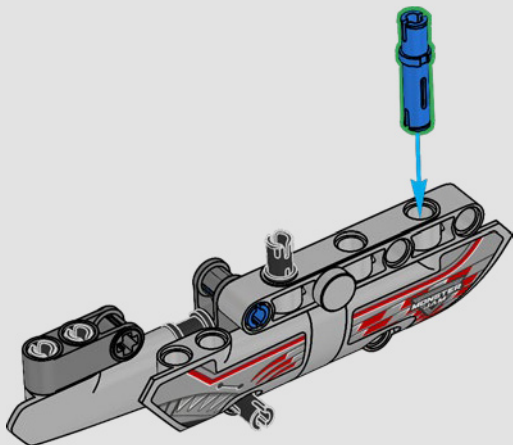
45

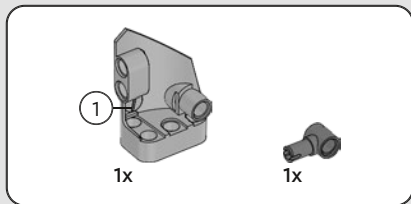




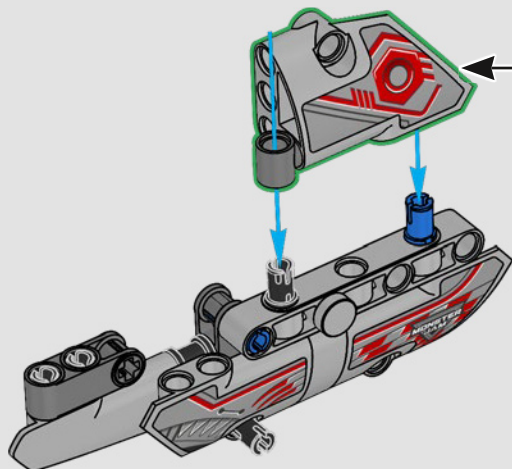
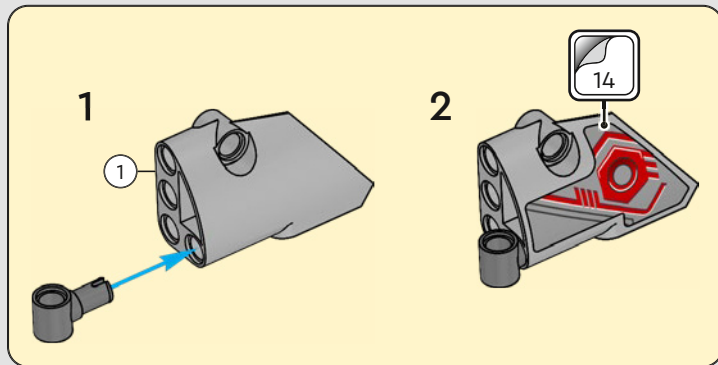
1x

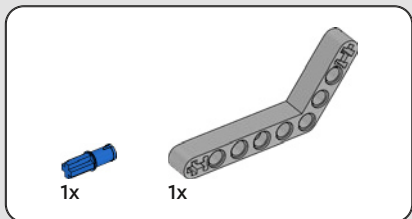
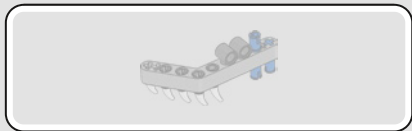
46



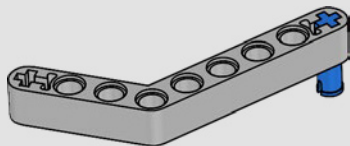


47

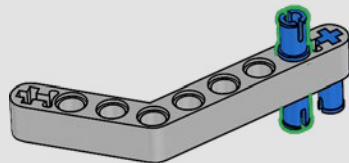




48



49

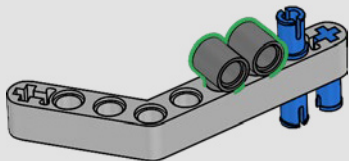






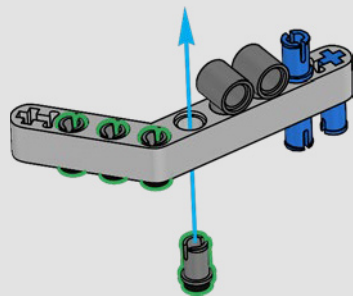
2x

50



4x

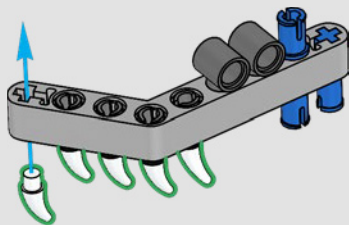
51



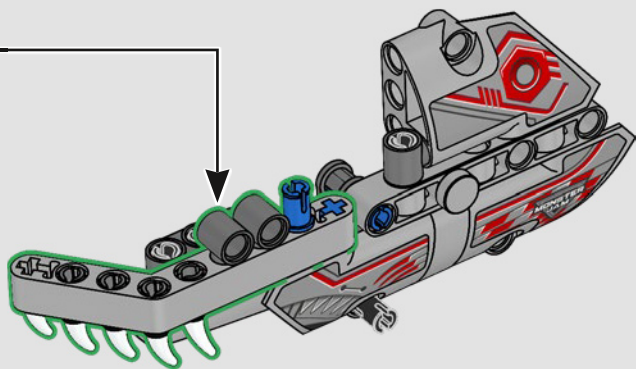


5x

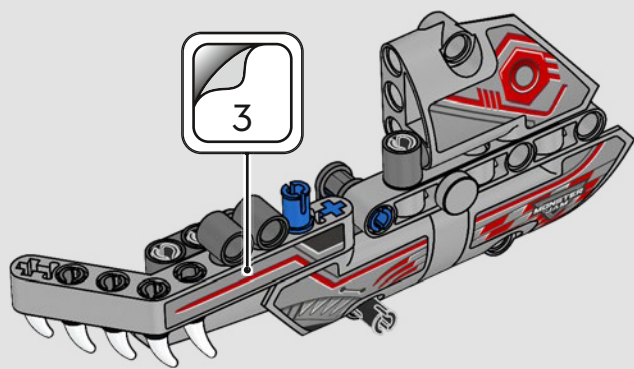
52



53

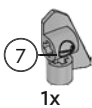


54





2x



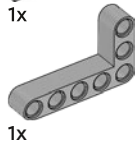
1x



1x



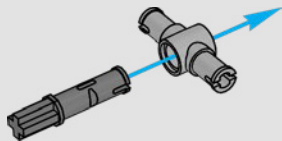
1x



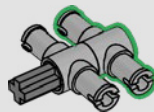
1x

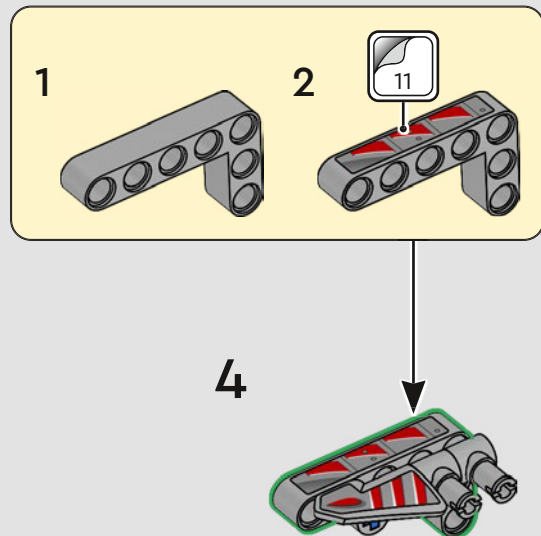
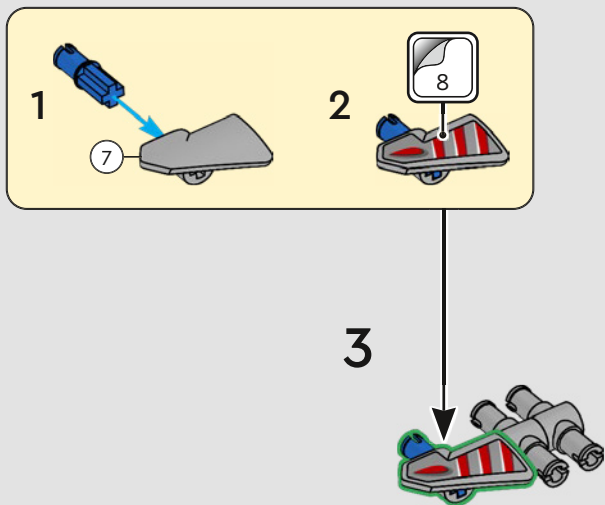
# 55

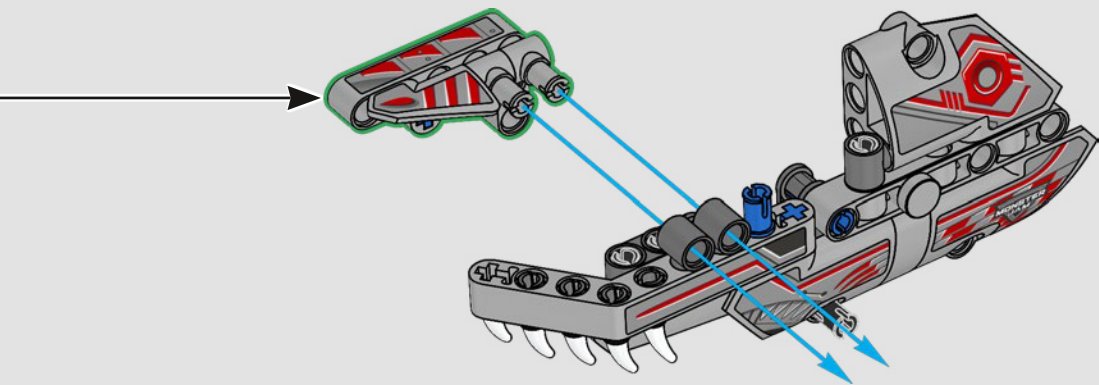
## 1

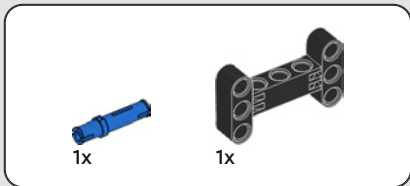


## 2

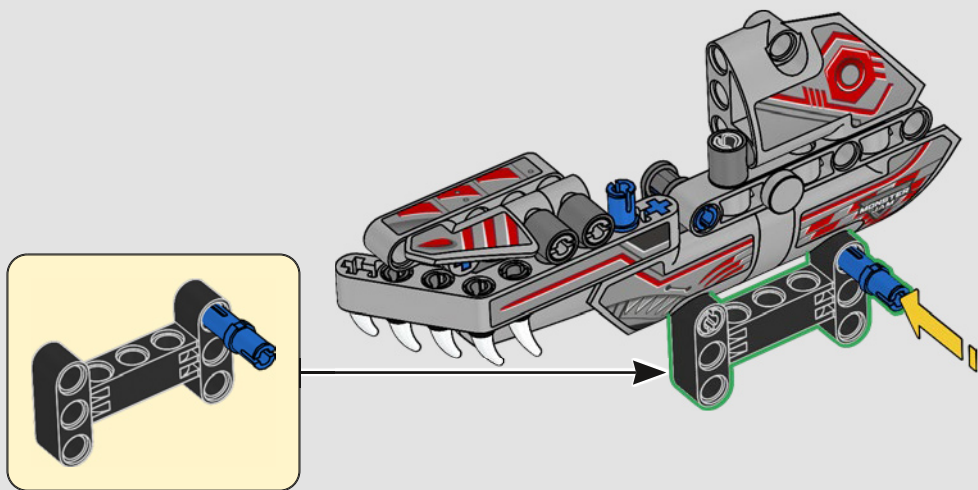


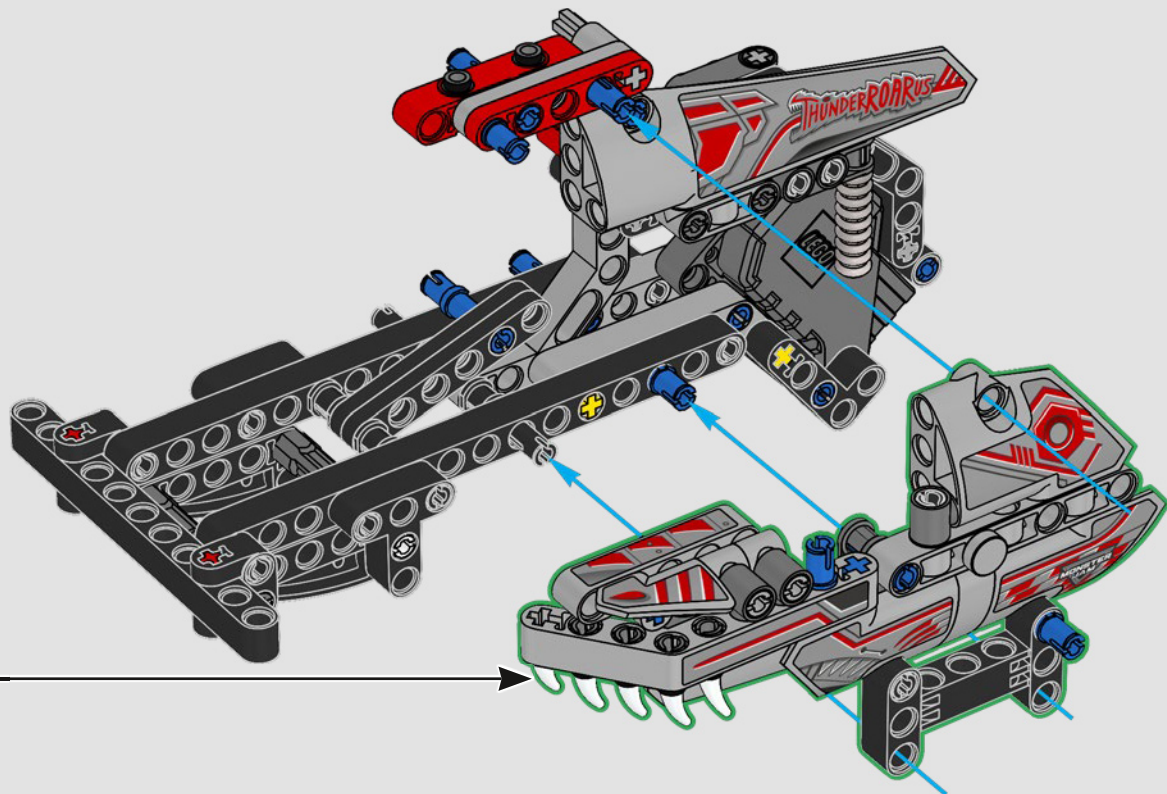






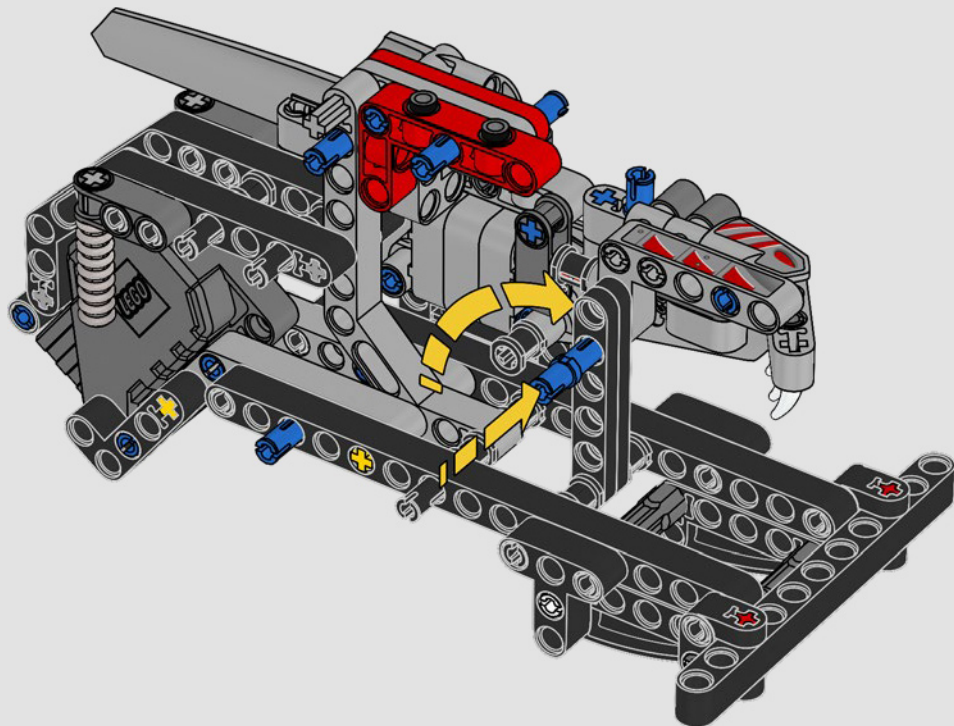
56

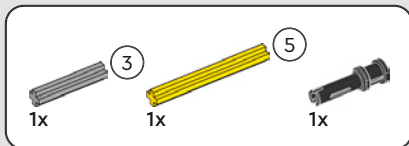




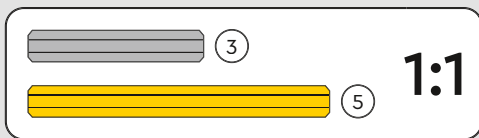
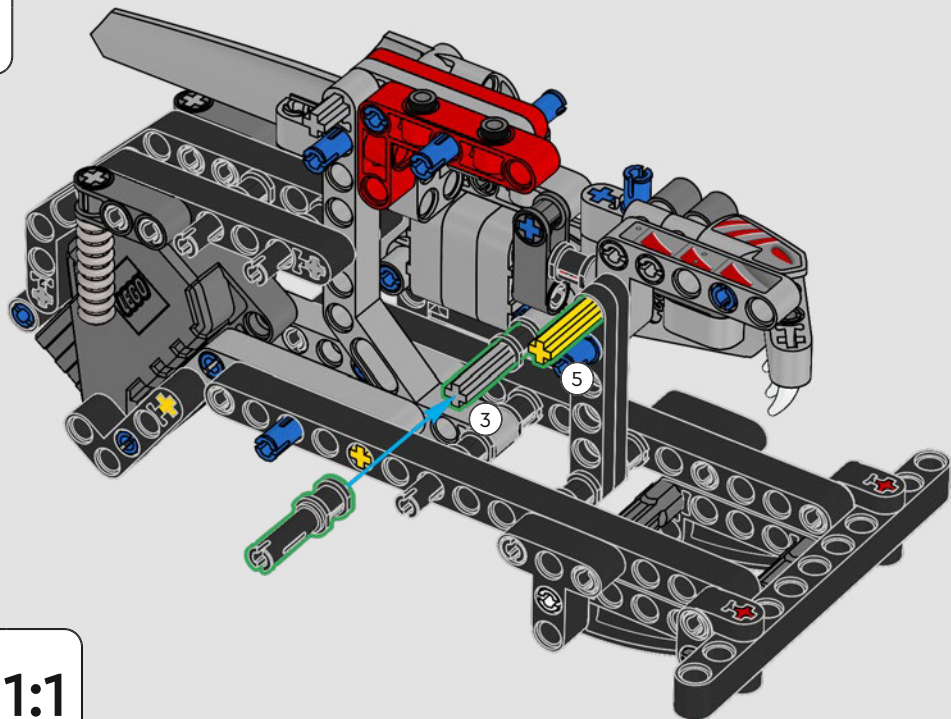


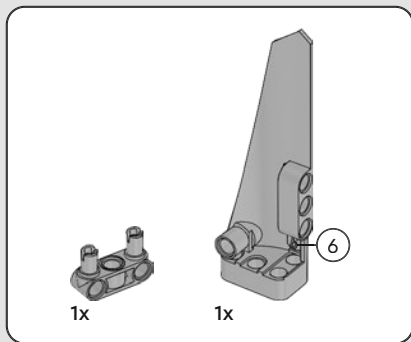
58





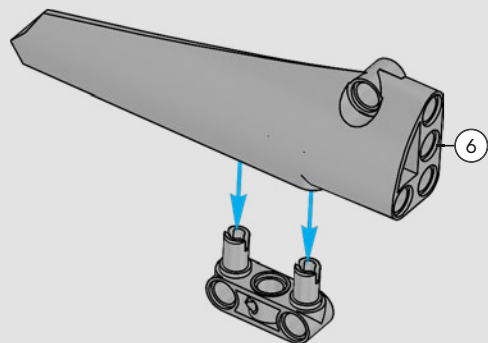
59



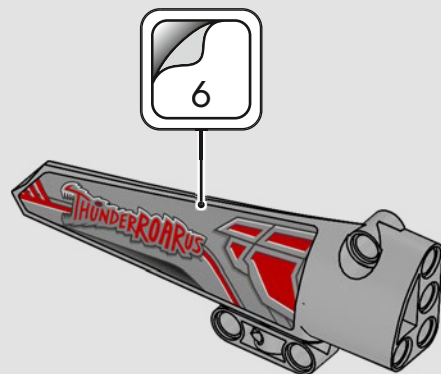


60

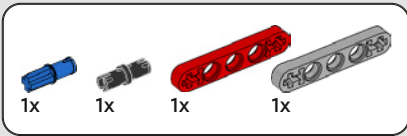
1



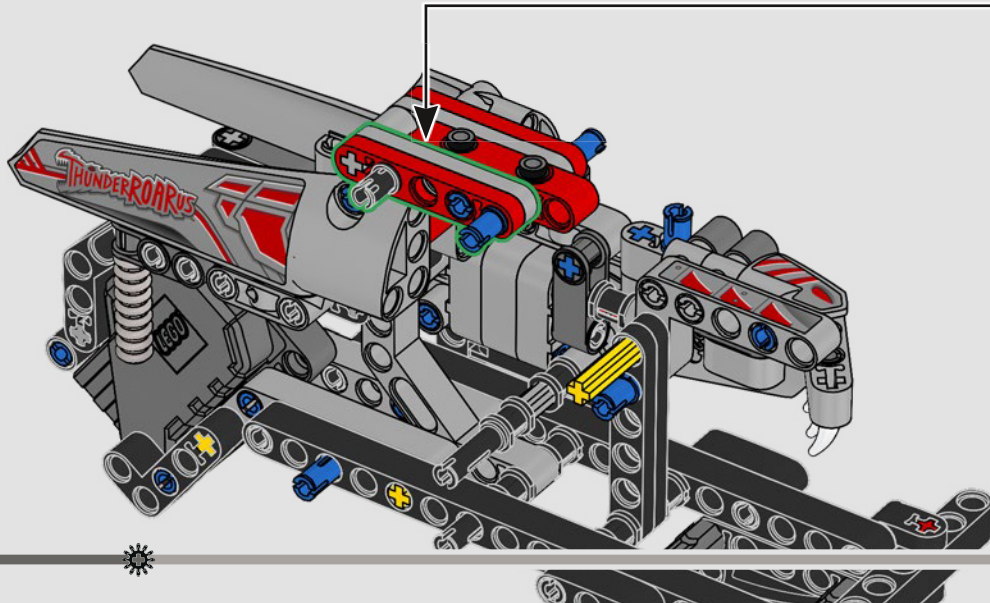
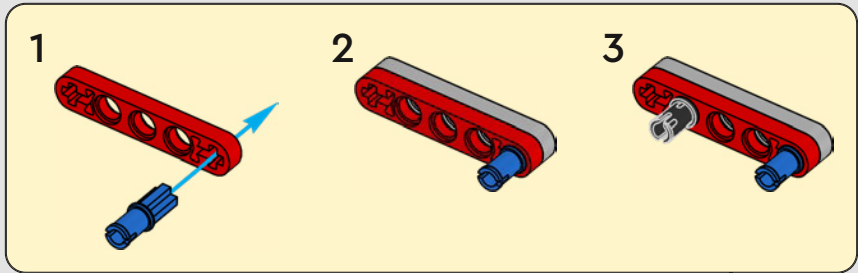
2

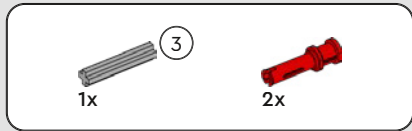




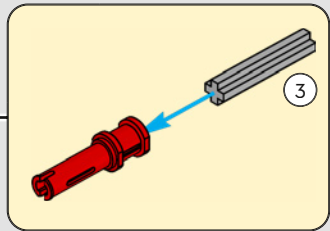
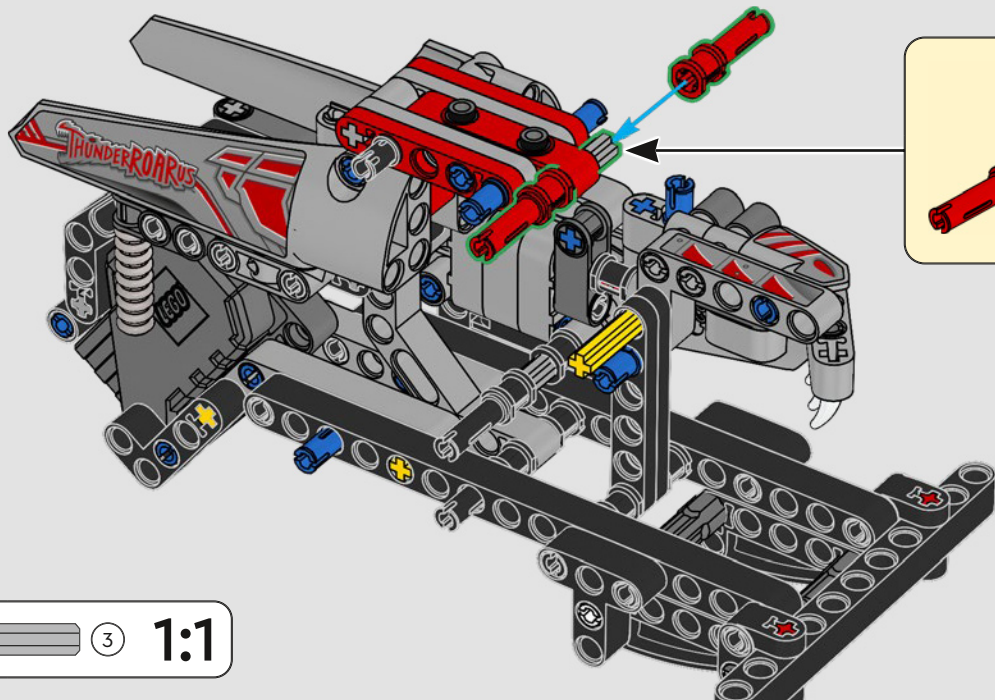


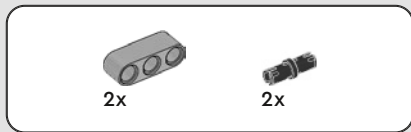
61



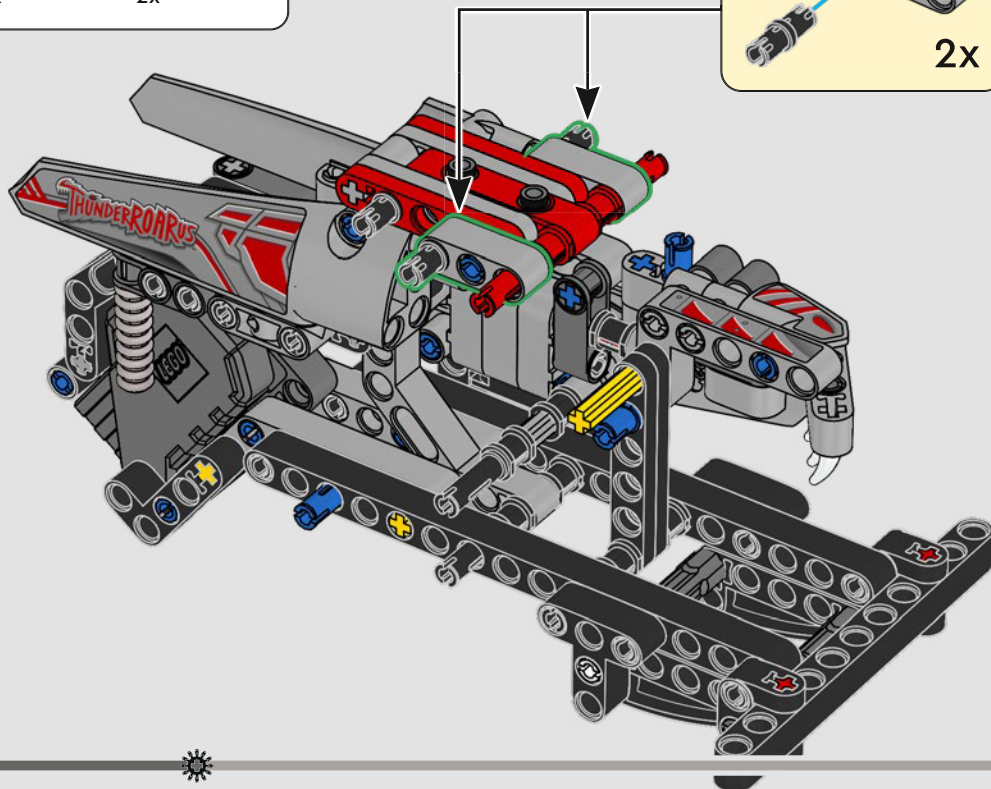
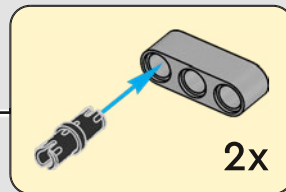


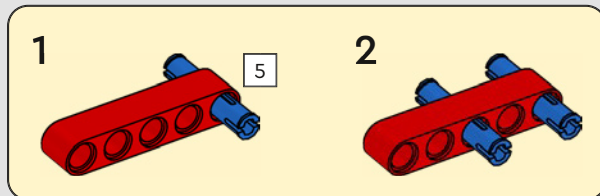
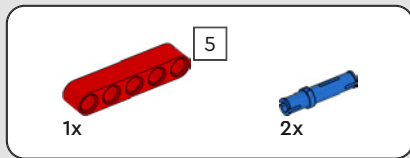
62



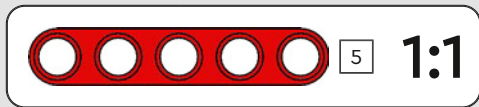
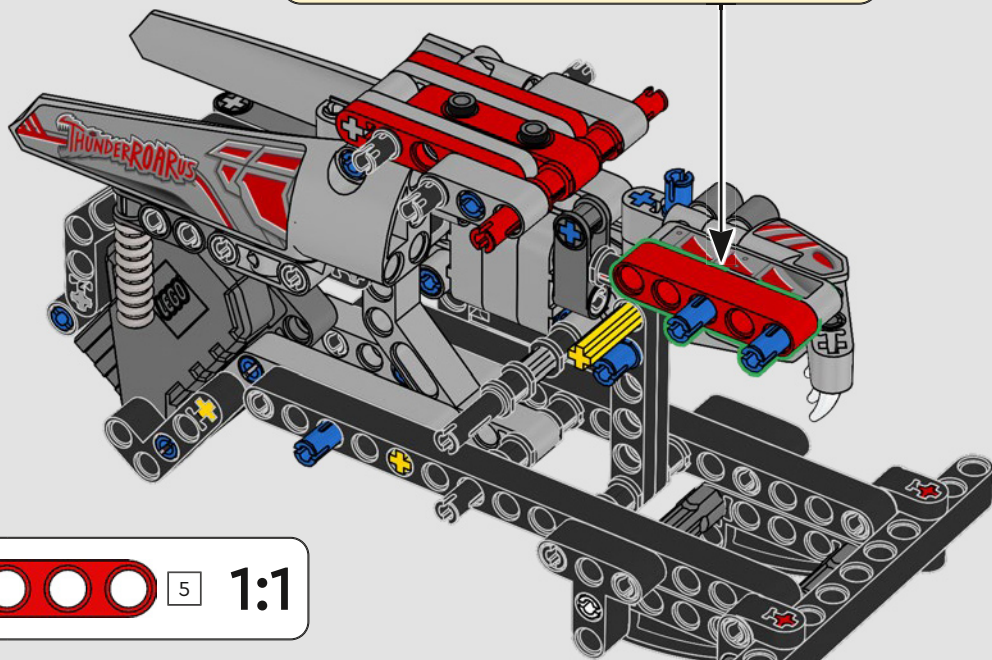


63

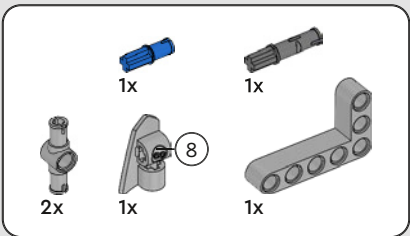




64

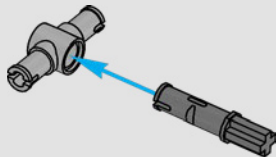




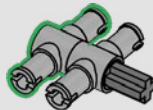


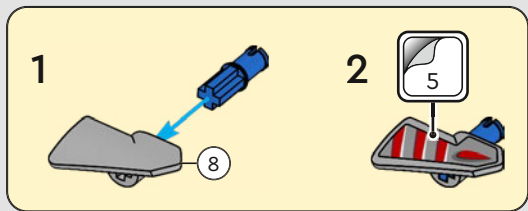
65

1

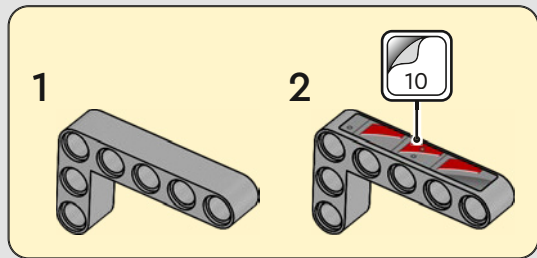
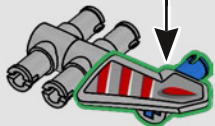


2

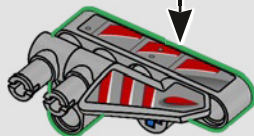


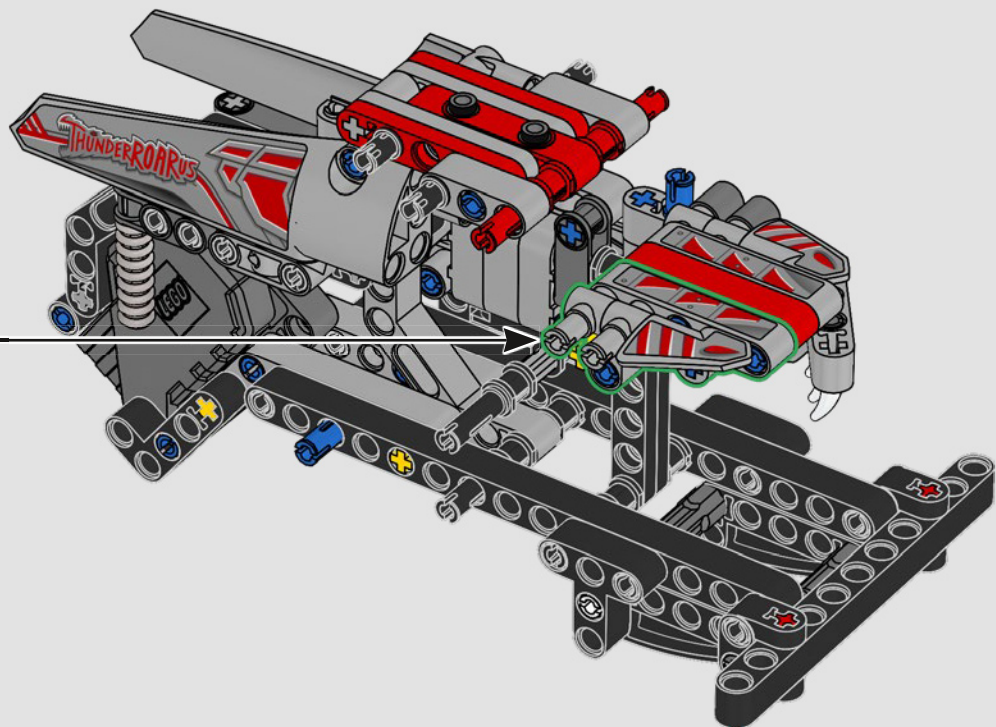


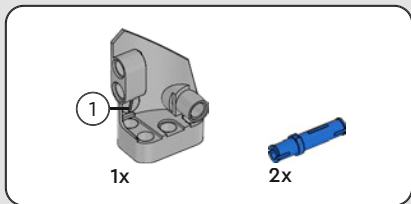
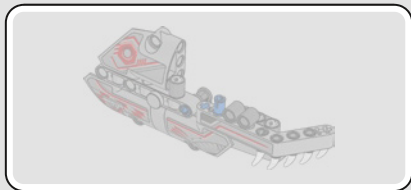
3



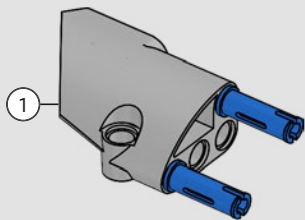
4



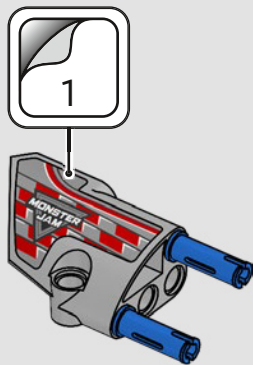




66



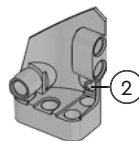
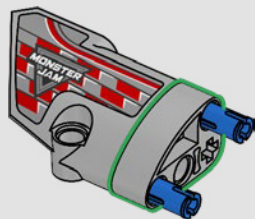
67





1x

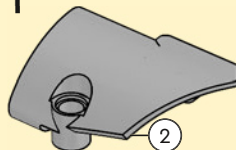
68



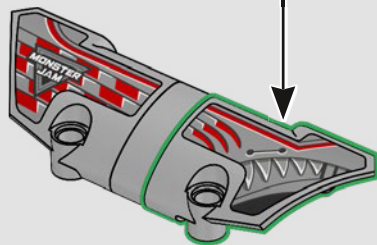
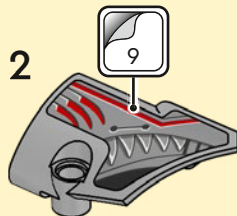
1x

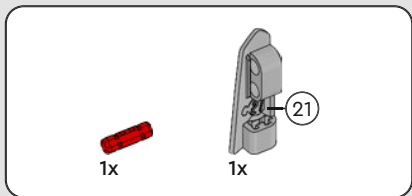
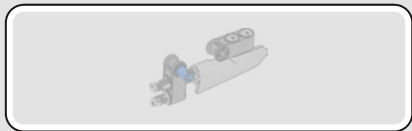
69

1

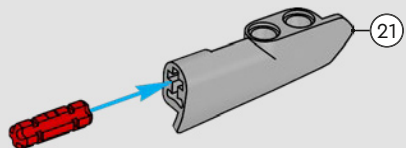


2

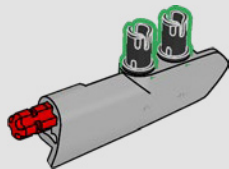




70



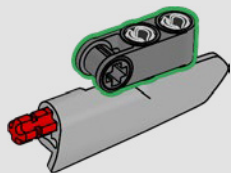
71





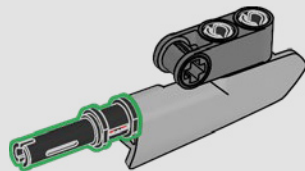
1x

72



1x

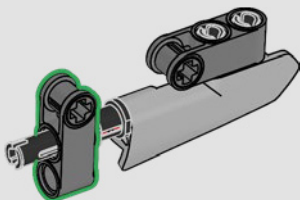
73





1x

74

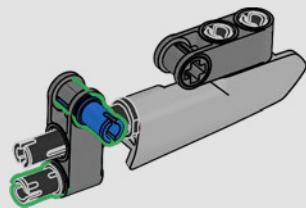


1x



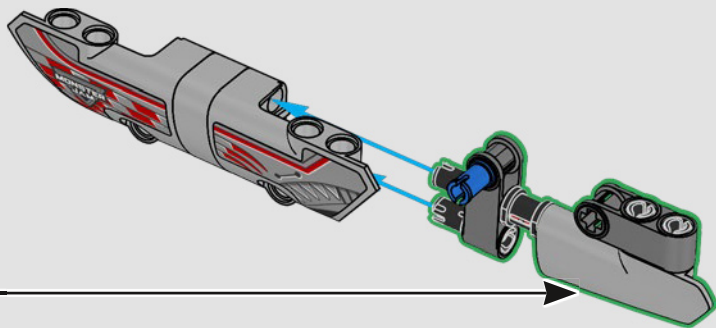
1x

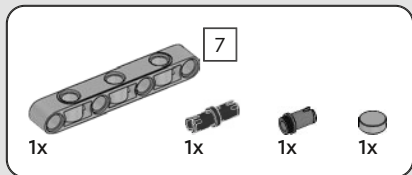
75



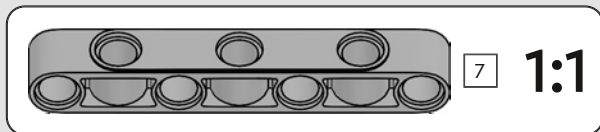
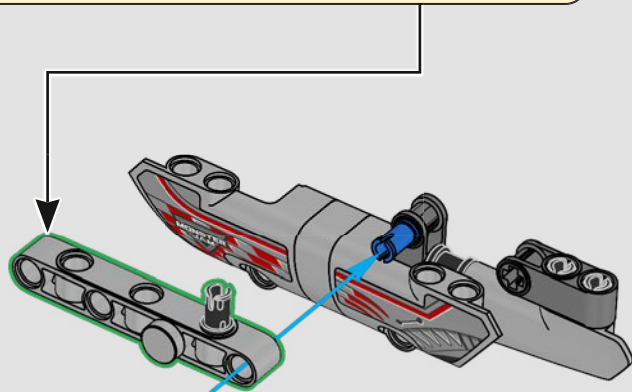
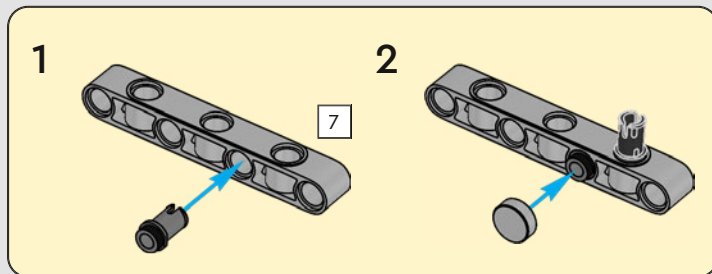


76





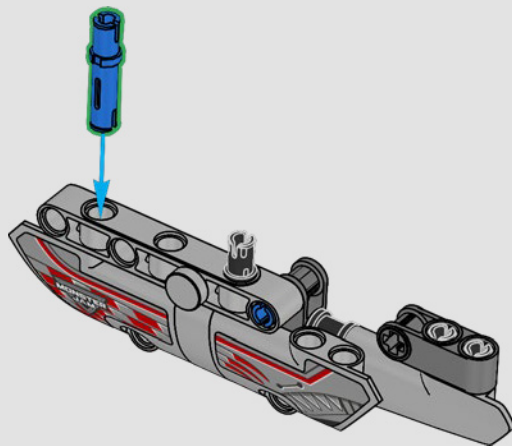
77

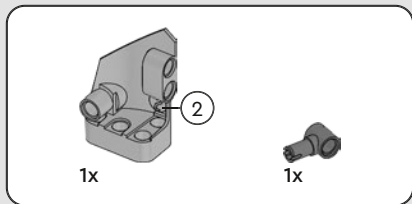




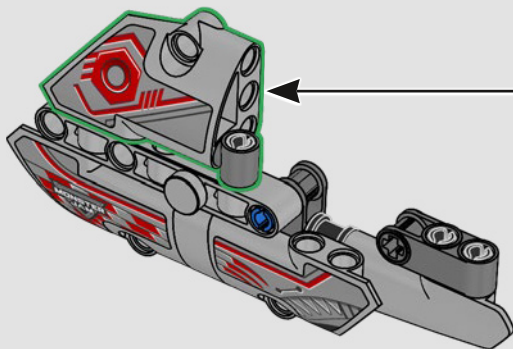
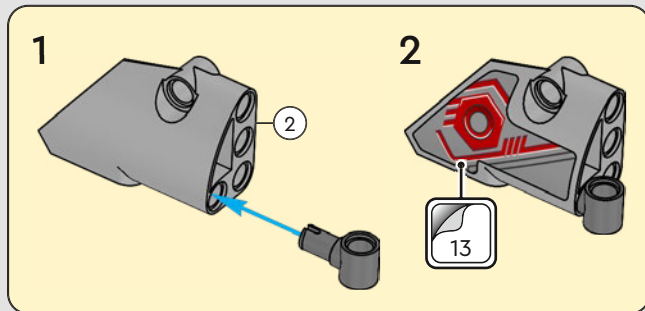
1x

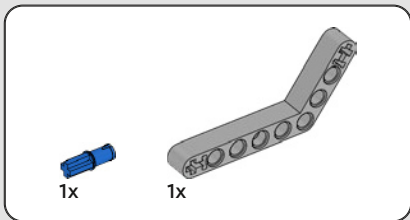
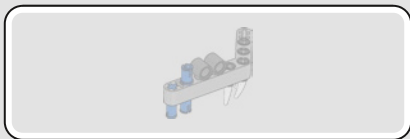
78



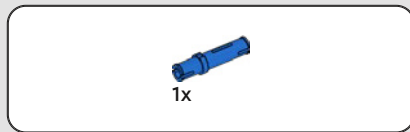
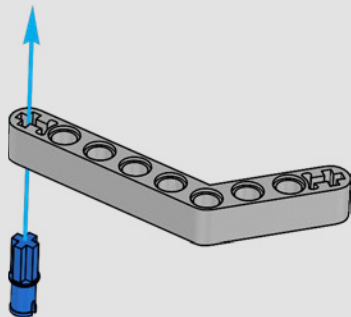


79

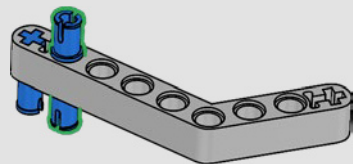




80



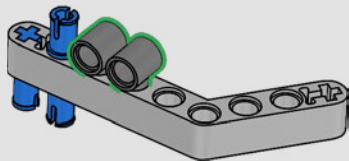
81





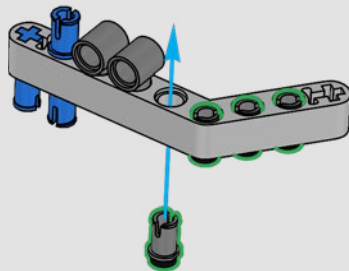
2x

82



4x

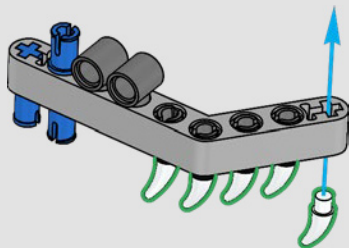
83



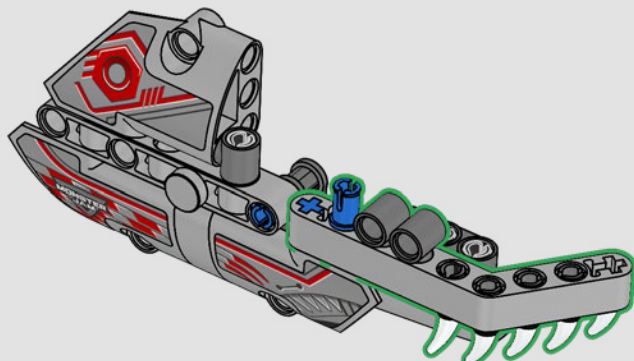


5x

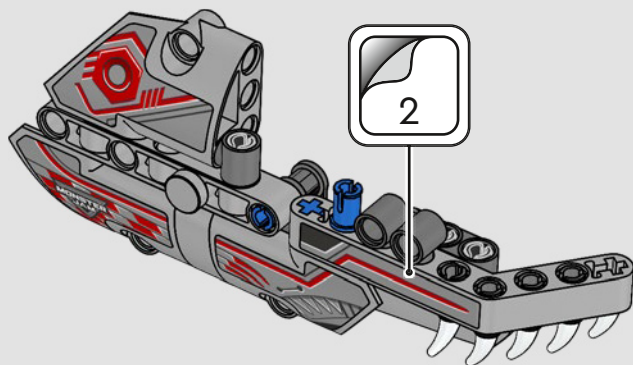
84



85

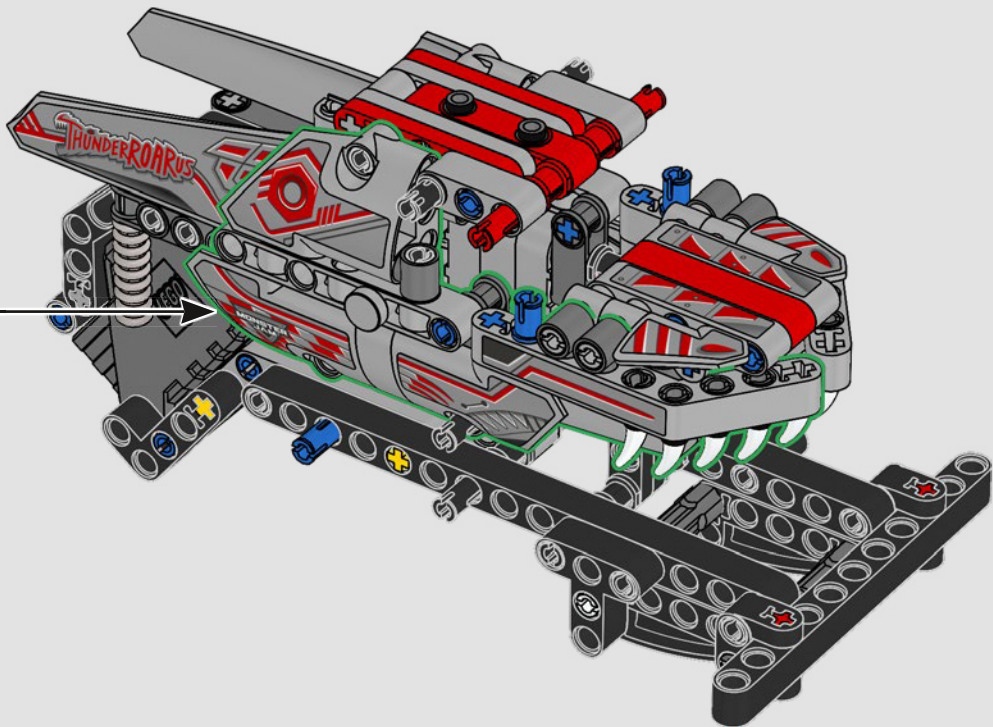


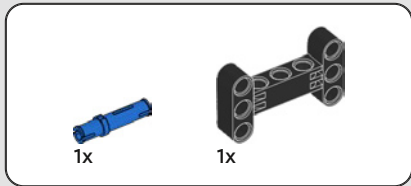
86



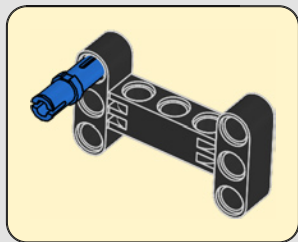
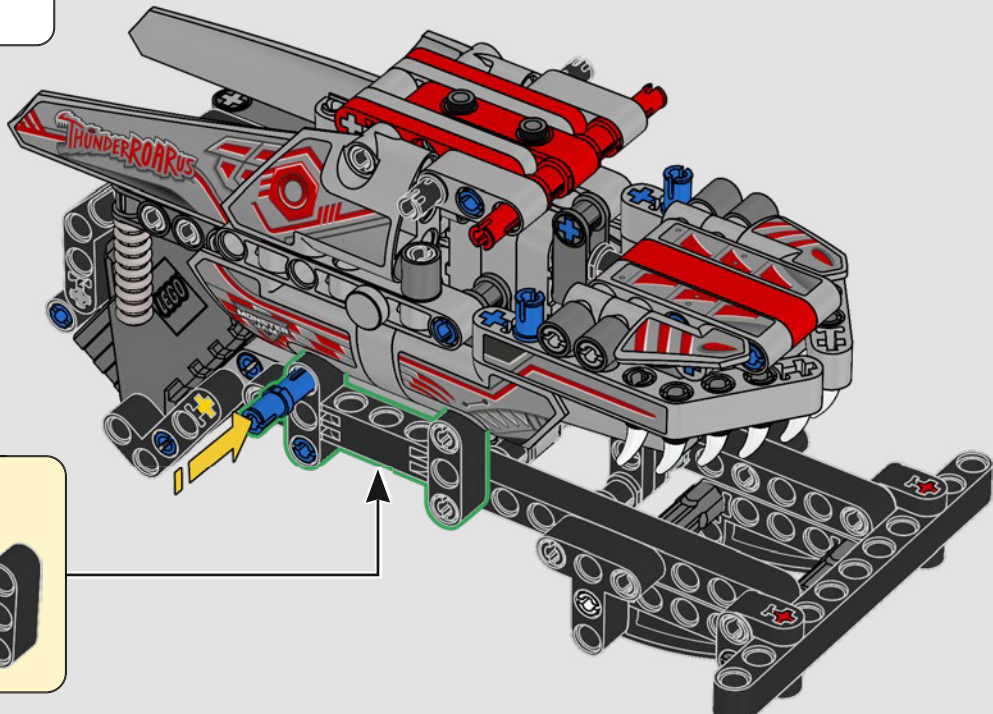


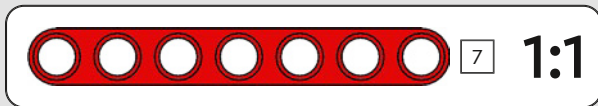
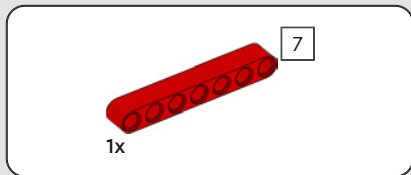
87



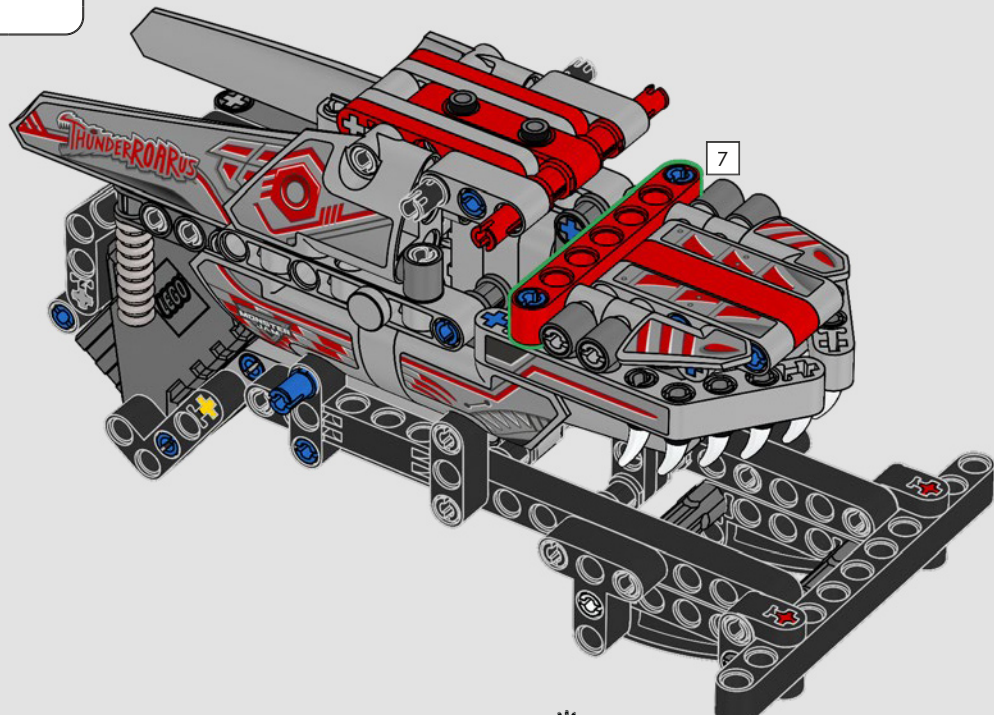


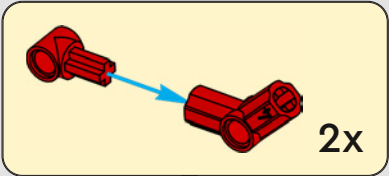
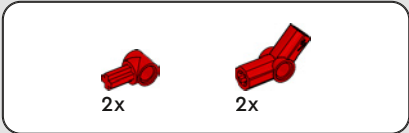
88



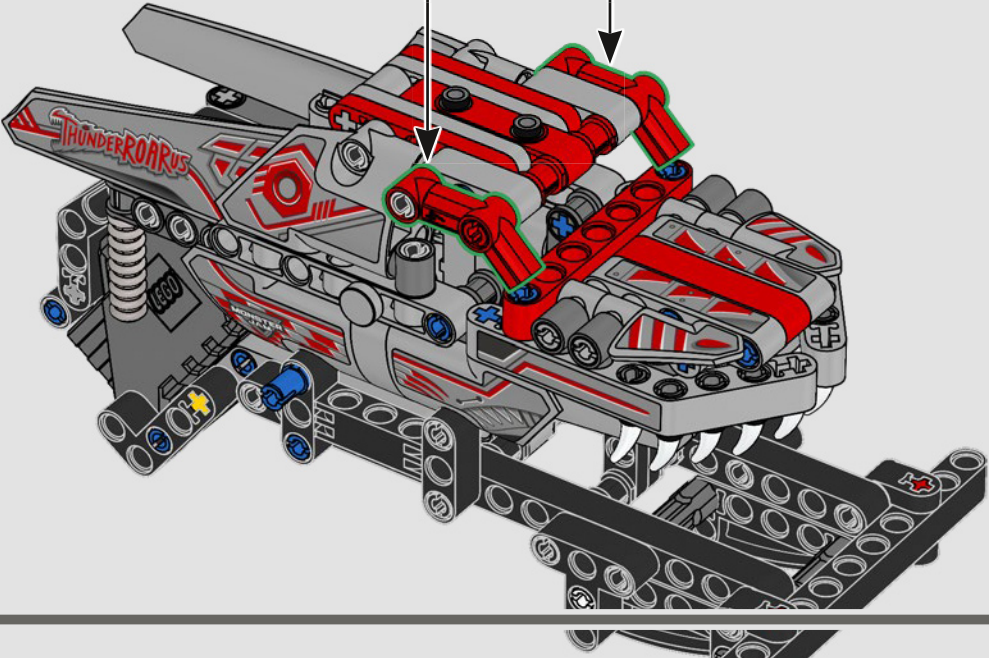


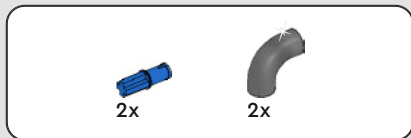
89



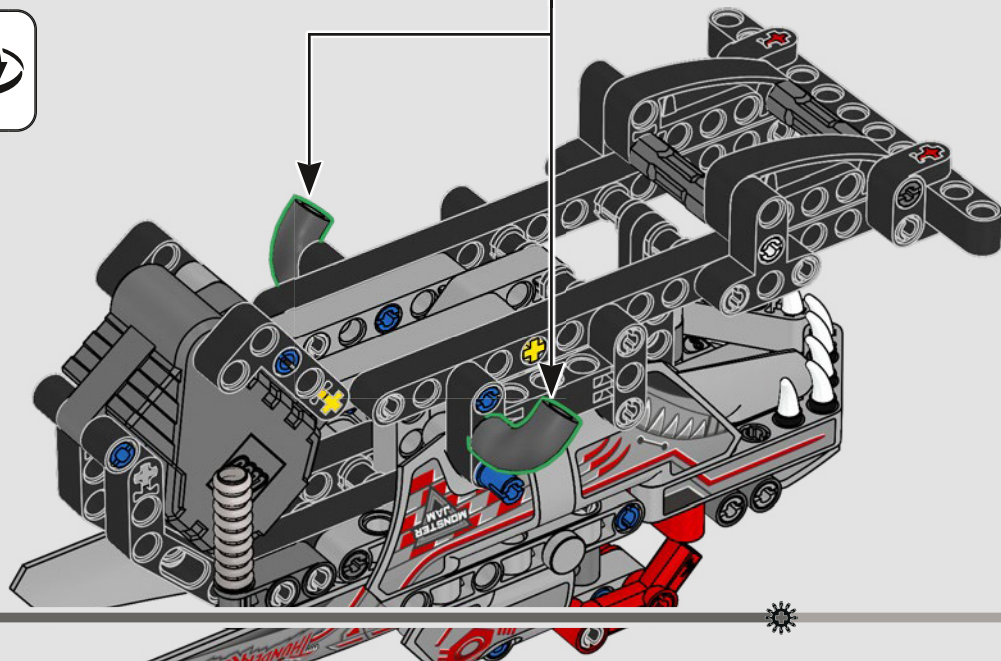
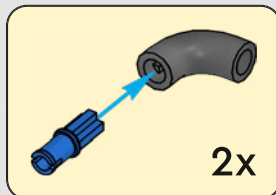


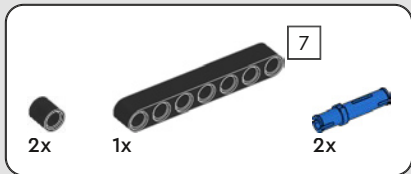
90



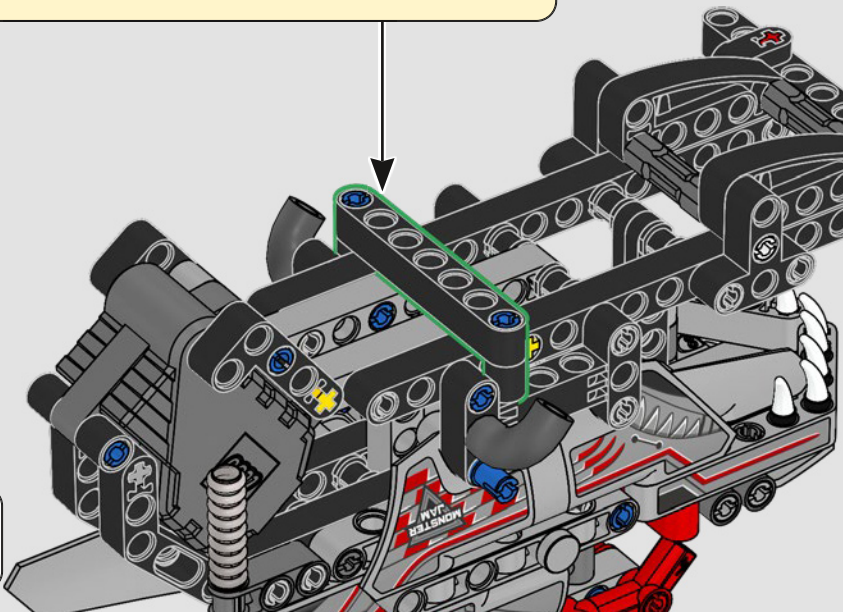
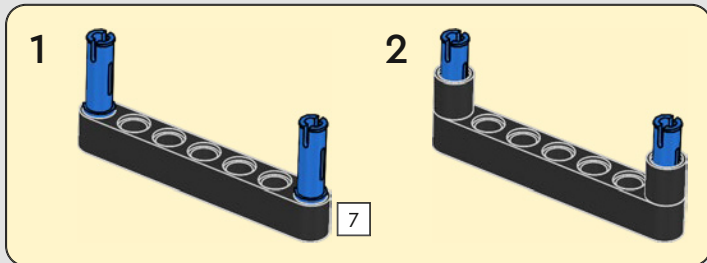


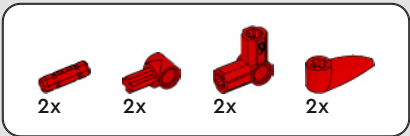
91



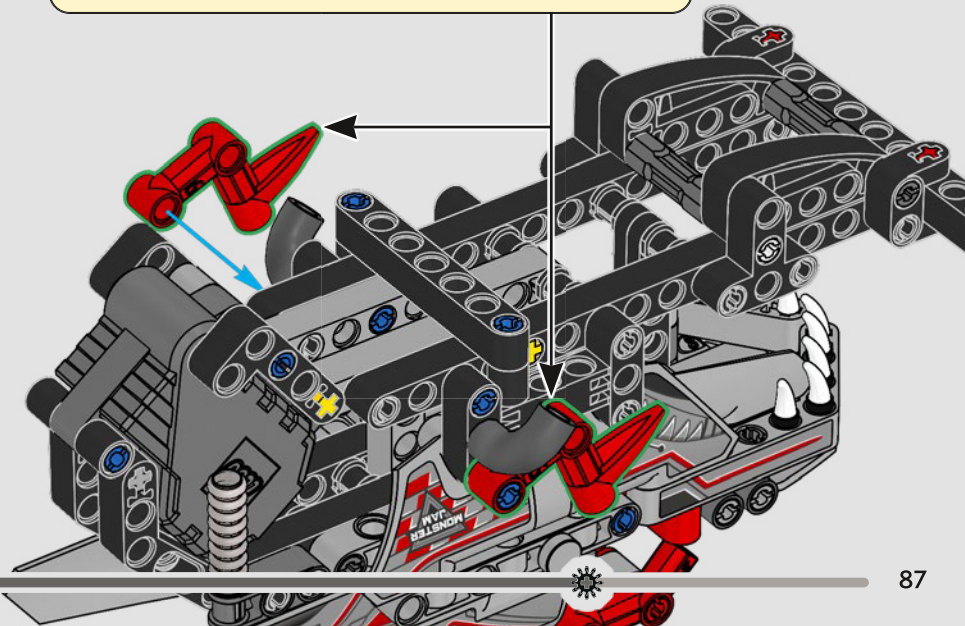
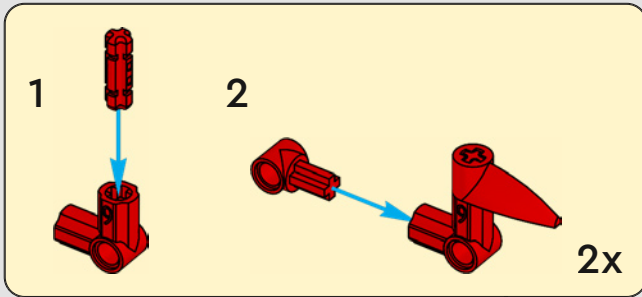


92





93



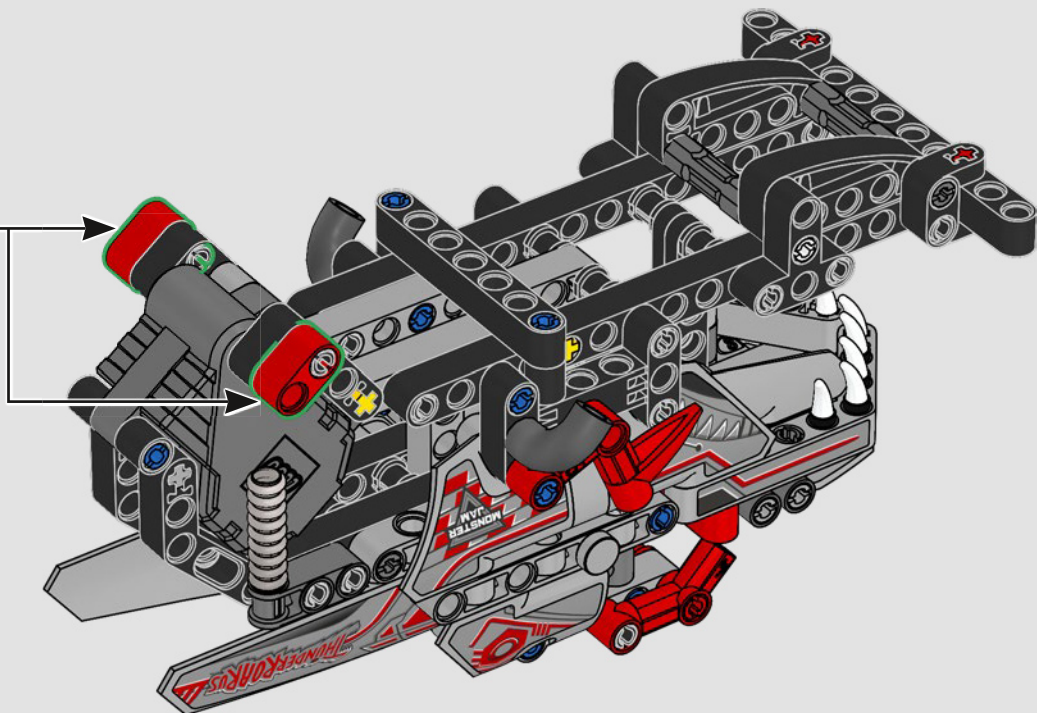
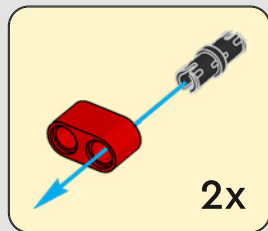


2x

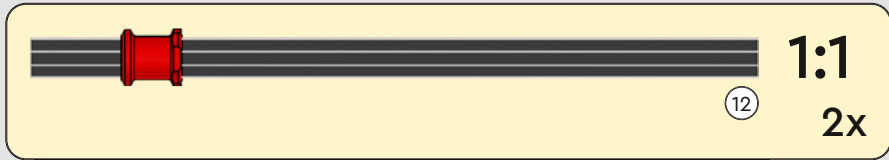
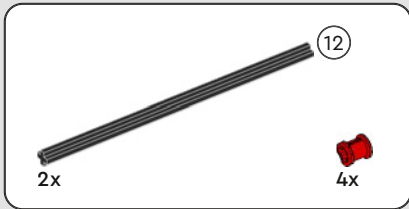


2x

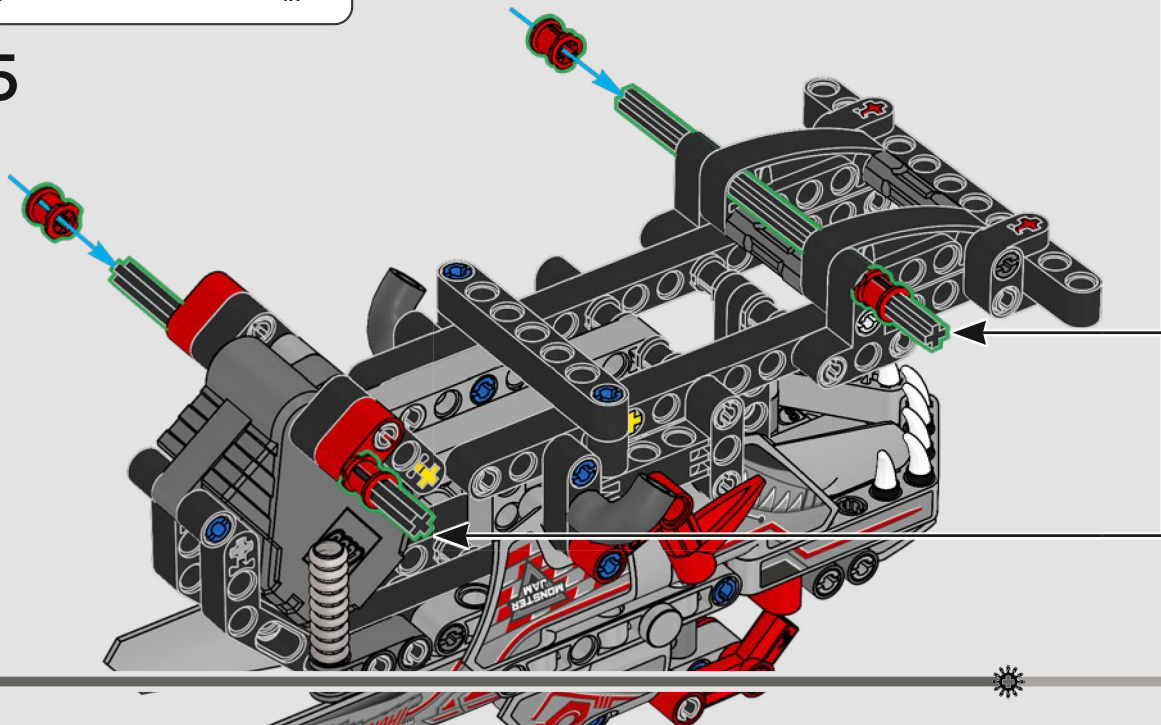
94







95

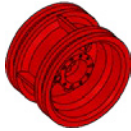




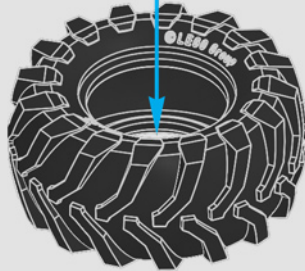
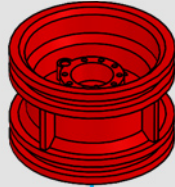
2x



2x

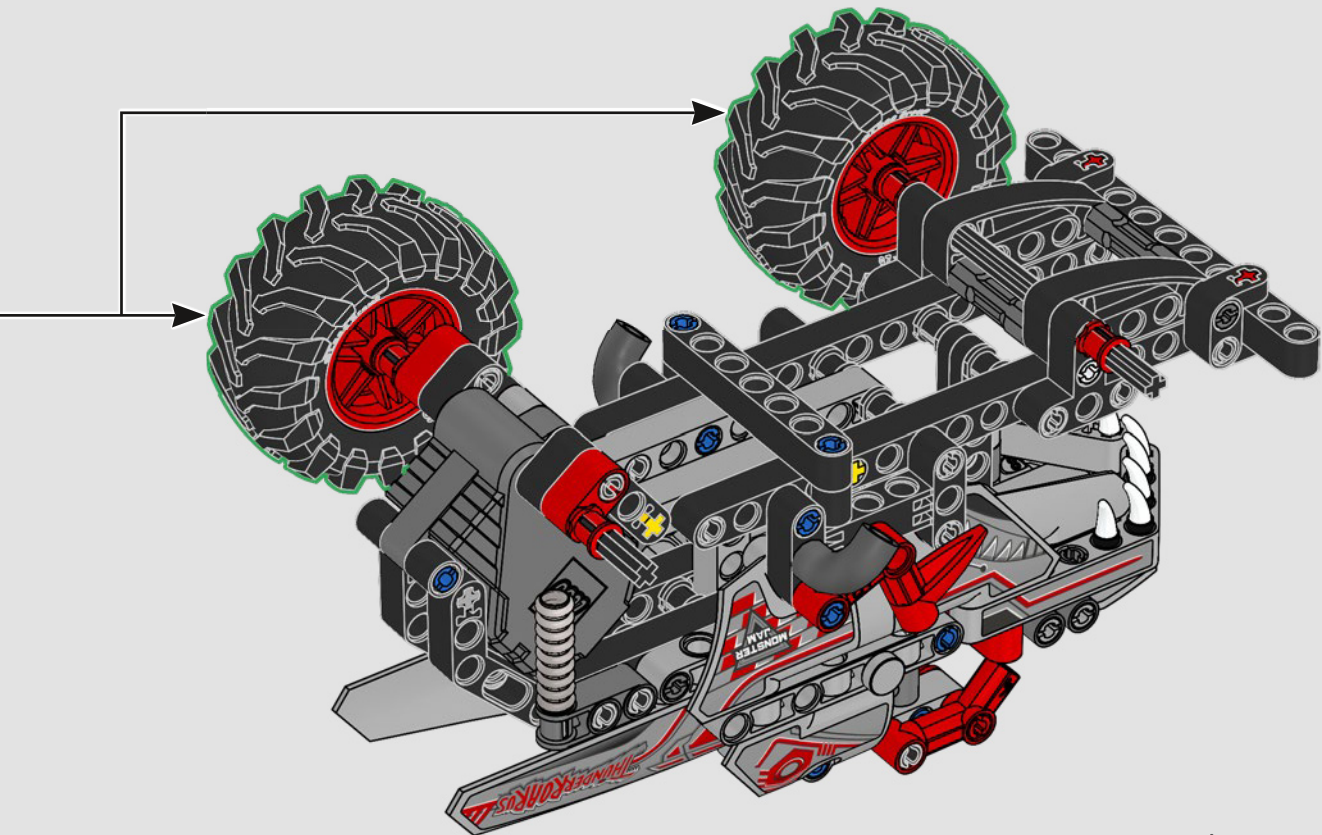


2x



2x

96

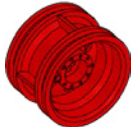




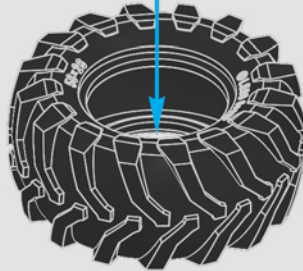
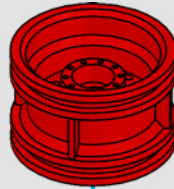
2x



2x

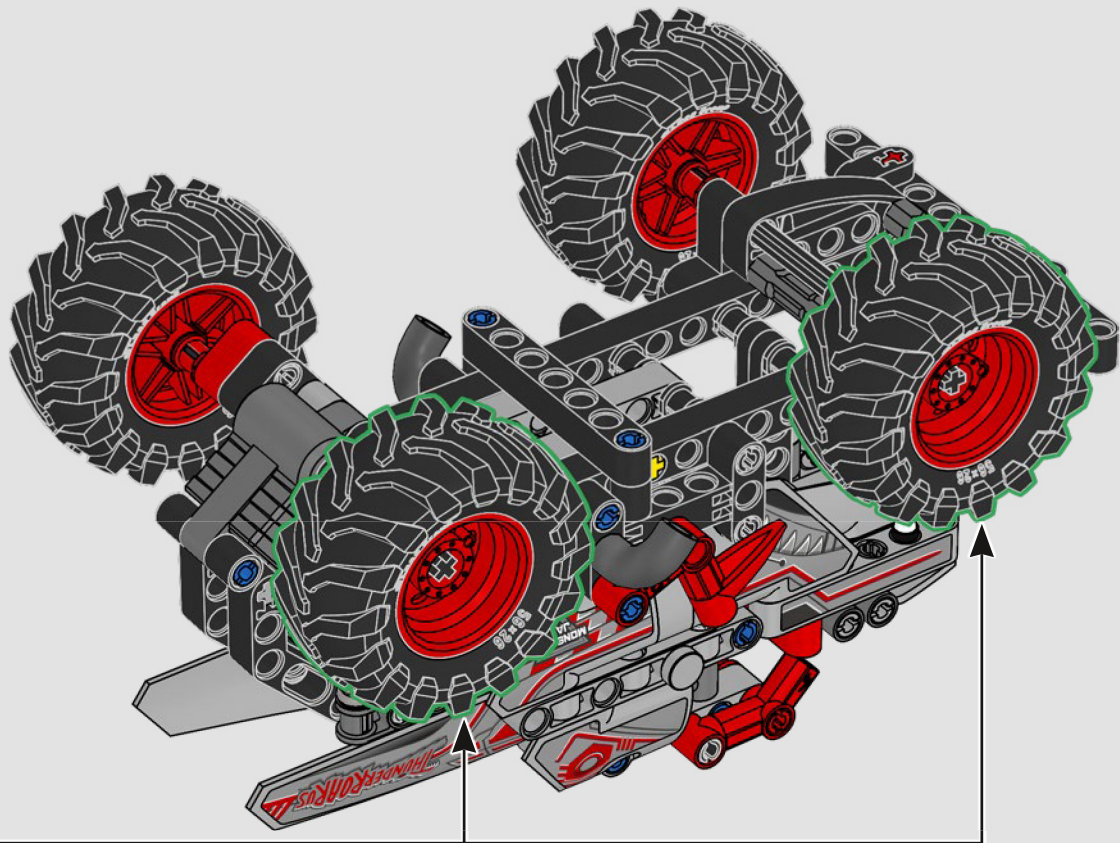


2x



2x

97



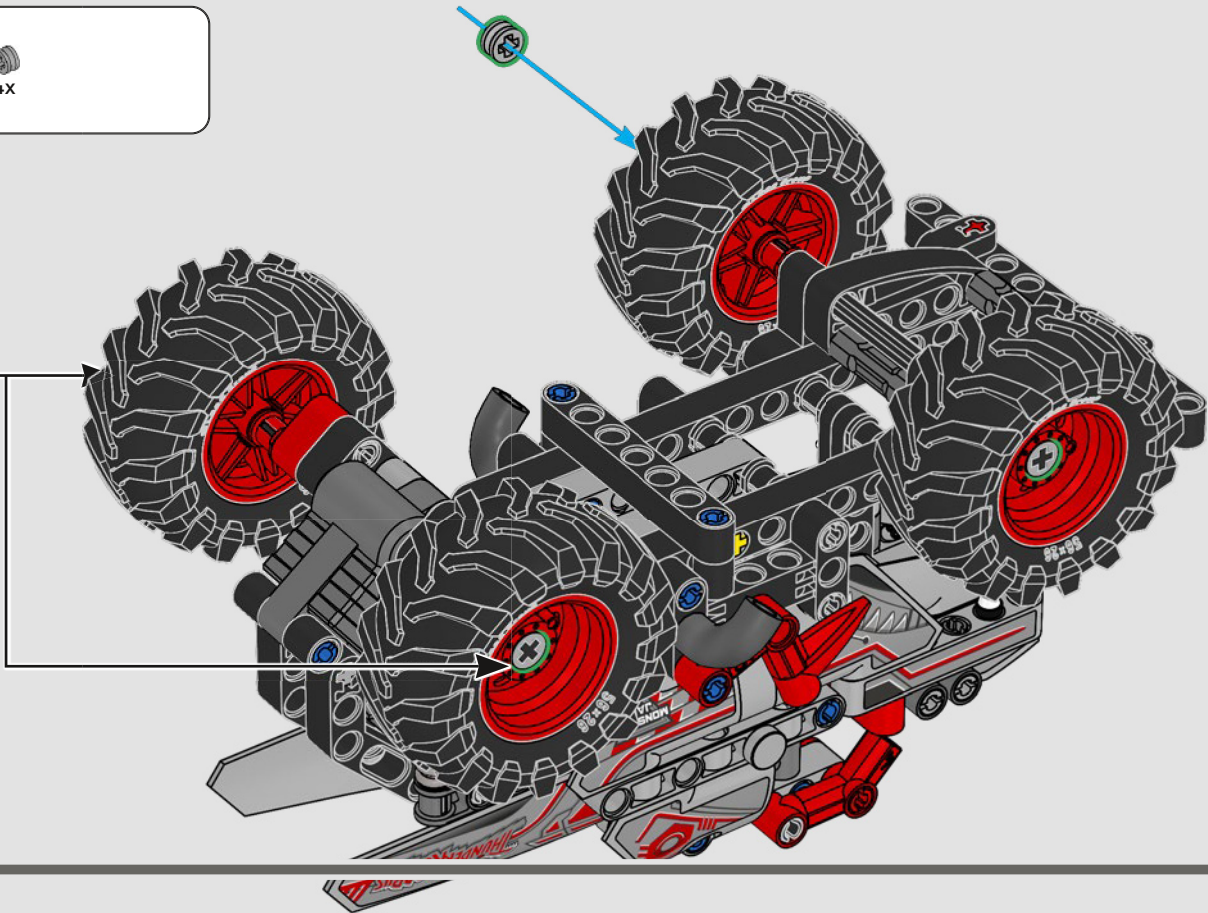


4x

98



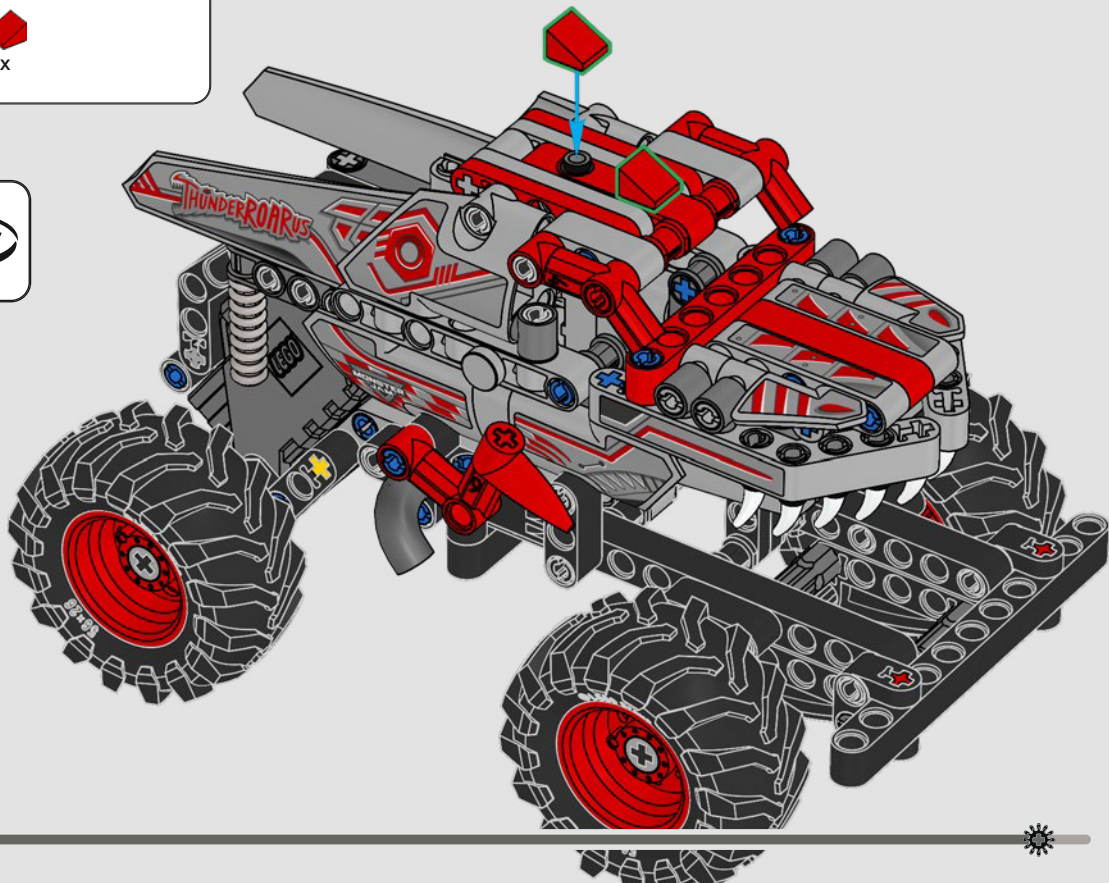
4x

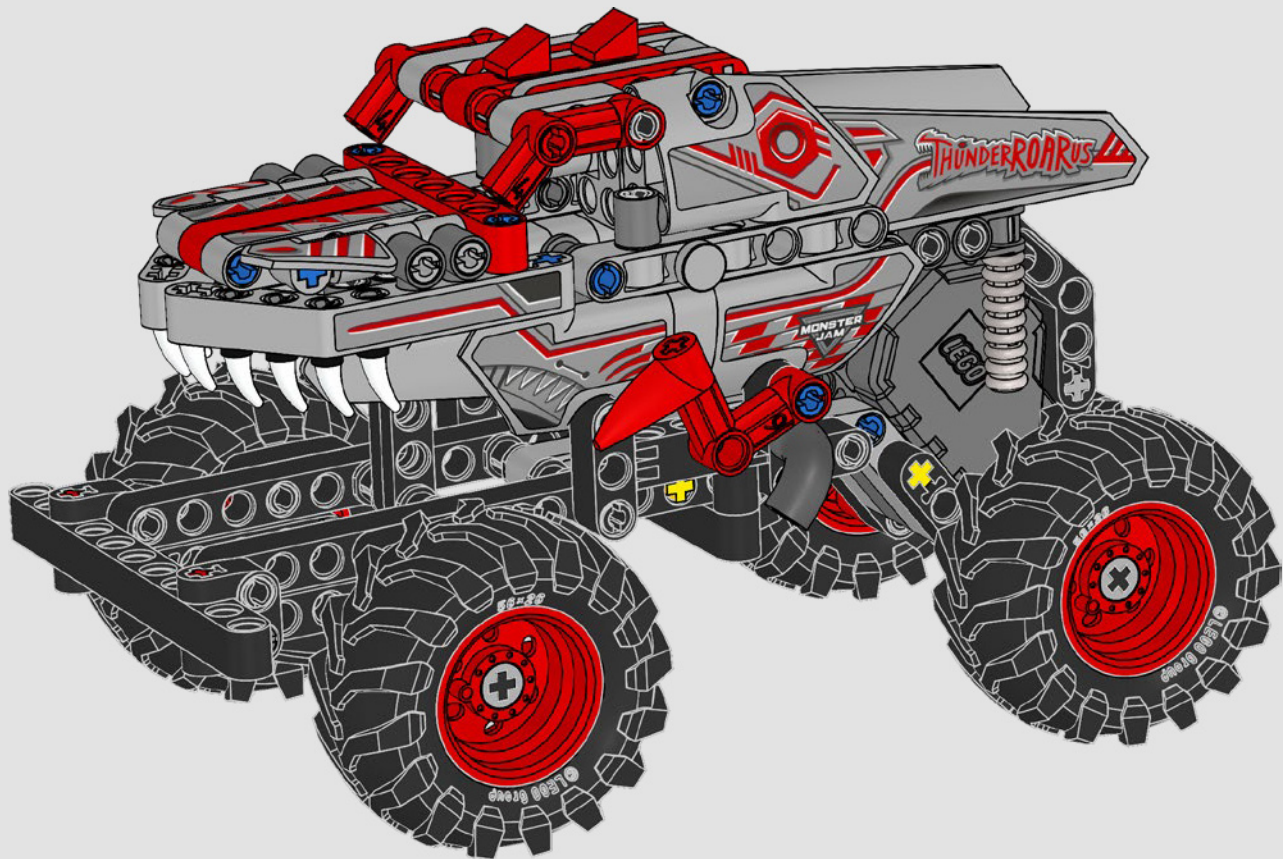




2x

99





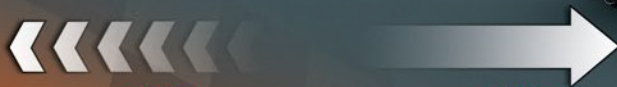




Rückziehmotor  
Rétrofriction  
Carga manual  
回力功能  
Napęđ typu pull-back

Natahovací motor  
Natahovací motor  
Hátrahúzós  
Motor cu resort  
Издърпване назад

Atvelkams  
Tagasitõmmatav  
Spyruoklinis  
mechanizmas



**PULL  
BACK**



**Rebuild  
the  
World™**





[LEGO.com/service](https://www.LEGO.com/service)



YOU COULD  
**WIN**



Scan this QR code or go to  
**LEGO.COM/PRODUCTFEEDBACK** and give us  
your short feedback about this LEGO® set for  
a chance to win a cool LEGO prize.

Terms and Conditions apply\*

**EN: YOU COULD WIN.** Terms and Conditions apply\* **DE: Du könntest GEWINNEN.** Es gelten die Teilnahmebedingungen\* **FR: Tu pourrais GAGNER.** Des conditions s'appliquent\* **IT: Potresti VINCERE tu.** Termini e condizioni sono applicabili\* **ES: Puedes GANAR.** Aplican términos y condiciones\* **PT: Poderá GANHAR.** Aplicam-se termos e condições\* **ZH: 轻松获奖. 条款和条件适用\*** **PL: Szansa na WYGRANĄ.** Obowiązują warunki korzystania\* **CS: Máte šanci VYHRÁT.** Platí všeobecné smluvní podmínky\* **SK: Máte šancu VYHRAŤ.** Platia všeobecné zmluvné podmienky\* **HU: TE IS NYERHETSZ.** Felhasználási feltételek érvényesek\* **RO: Ai putea CÂȘTIGA.** Se aplică termeni și condiții\* **BG: Можете да СПЕЧЕЛИТЕ.** Има определени правила и условия\* **LV: Tu vari LAIMĒT.** Ir spēkā noteikumi un nosacījumi.\* **ET: Sul on võimalus VÕITA.** Kehtivad tingimused\* **LT: Jūs galite LAIMĖTI.** Taikomos sąlygos\*

\*[LEGO.com/productfeedback-terms](https://www.lego.com/productfeedback-terms)

LEGO and the LEGO logo are trademarks of the LEGO Group. ©2025 The LEGO Group.

©2025 Feld Motor Sports, Inc. MONSTER JAM™, ThunderROARus™ Pull-Back, and all related logos and characters/ designs are intellectual property of and used under license from Feld Motor Sports, Inc. All rights reserved.

6556968