



# TECHNIC™

42199







LEGO® Builder



[LEGO.com/sustainable-packaging](https://LEGO.com/sustainable-packaging)

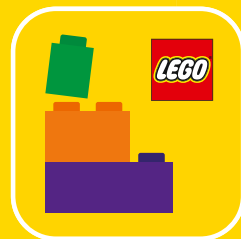


 <sup>FR</sup> **DONNEZ**  
OU  
**RECYCLEZ**

 OU  OU 

ASSOCIATION    MAGASIN    DÉCHÈTERIE

Adresses sur [quefairedemesdechets.fr](https://quefairedemesdechets.fr)



Q LEGO® Builder

# BUILDER

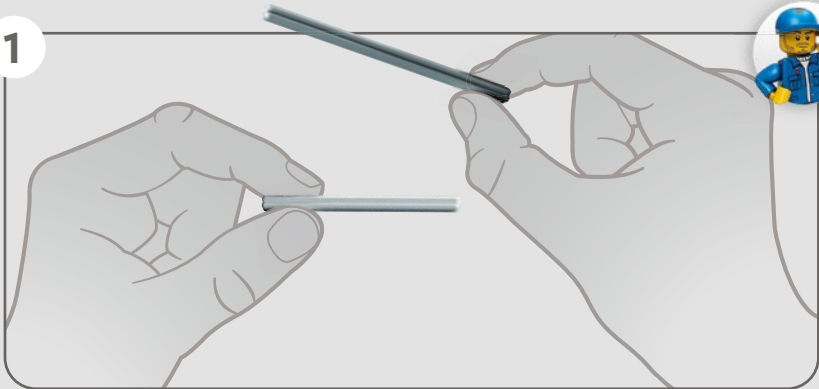


Apple and the Apple logo are trademarks of Apple Inc., registered in the U.S. and other countries and regions. App Store is a service mark of Apple Inc. Google Play and the Google Play logo are trademarks of Google LLC. Tencent and the Tencent logo are trademarks of Tencent Inc.

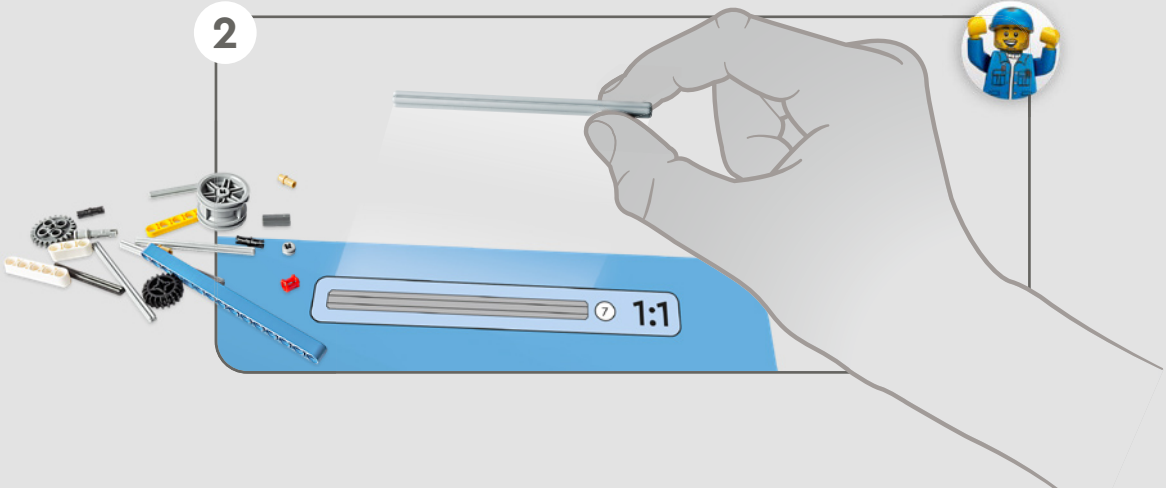
Q [LEGO.com/devicecheck](https://www.lego.com/devicecheck)

EN Ask parents' permission before going online | DE Eltern um Erlaubnis bitten, bevor du online gehst | FR Demande l'autorisation d'un parent avant d'aller en ligne | IT Chiedi il permesso ai tuoi genitori prima di andare online | ES Pídeles permiso a tus papás antes de conectarte a Internet | PT Pede autorização aos pais antes de acederes online | ZH 上网前应先征得父母的同意 | PL Poproś rodziców o zgodę, zanim wejdiesz do Internetu | CS Než půjdeš na internet, požádej rodiče o svolení | SK Skôr než pôjdeš na internet, vypýtaj si povolenie od rodičov | HU Kérj szülői engedélyt, mielőtt online csatlakoznál! | RO Cere permisiunea părinților înainte de a te conecta online | BG Поискайте разрешение от родител, преди да влезете онлайн | LV Pirms došanās tiešsaistē palūdz atļauju vecākiem | ET Enne Interneti kasutamist küsi vanematelt luba | LT Prieš prisijungdami prie interneto, atsiklauskite tėvų

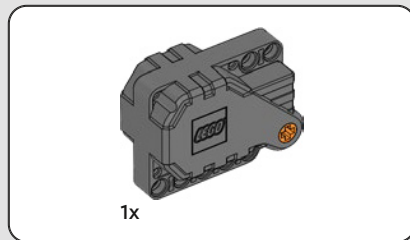
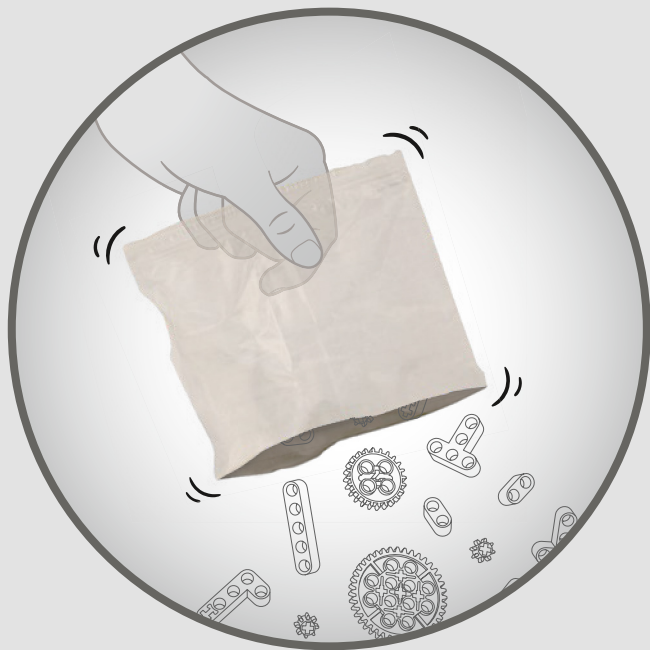
1



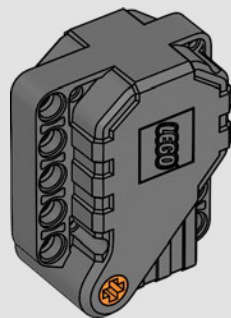
2







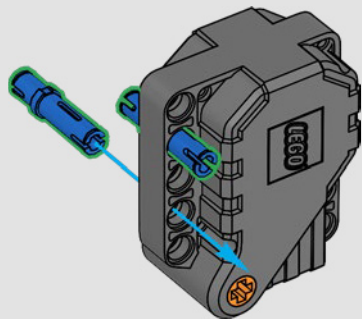
1





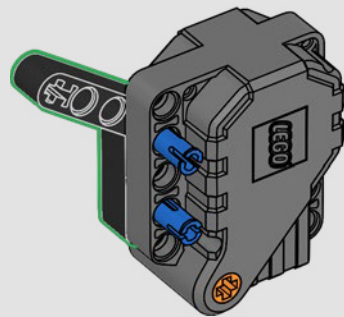
2x

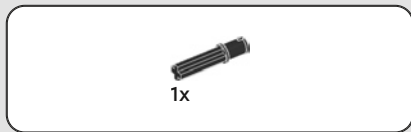
2



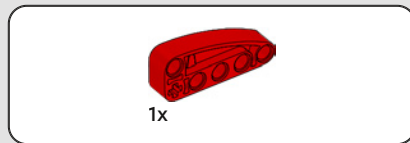
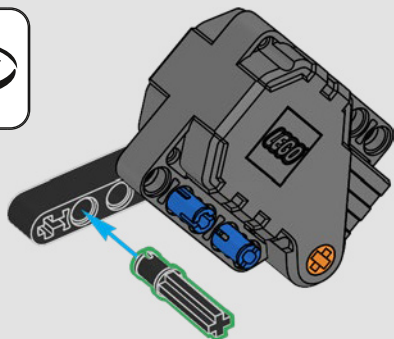
1x

3

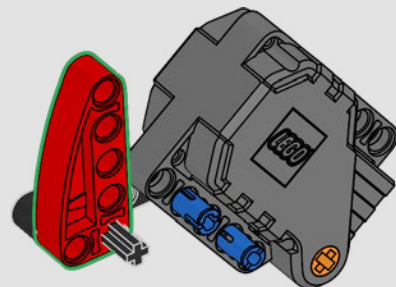


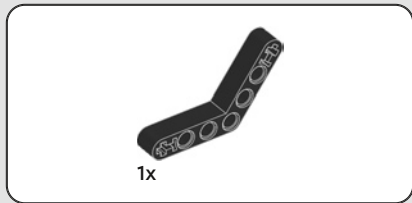


4

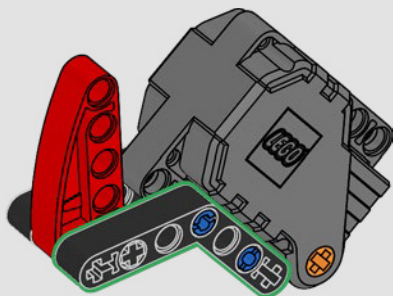


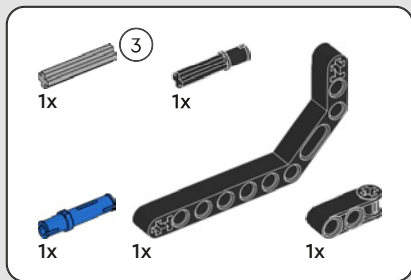
5





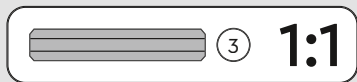
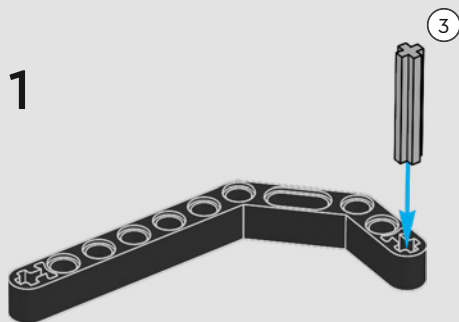
6



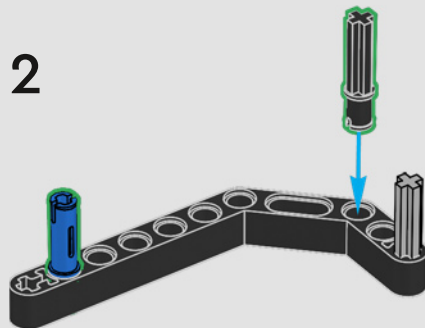


7

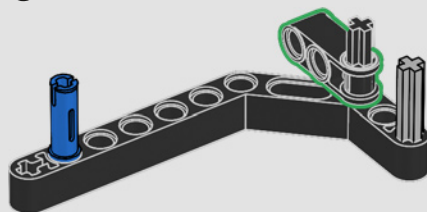
1



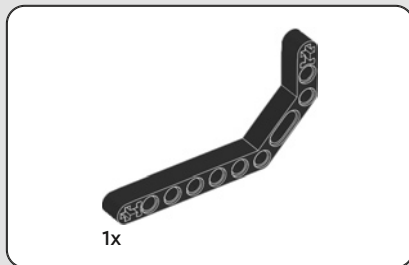
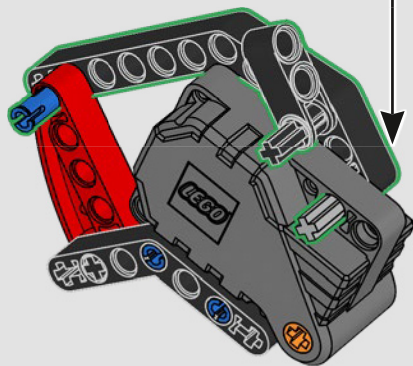
2



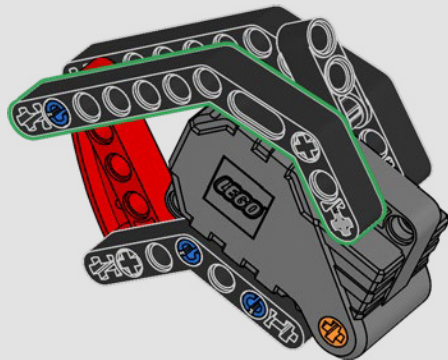
3







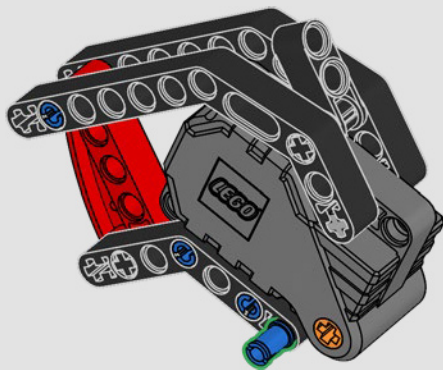
8





1x

9

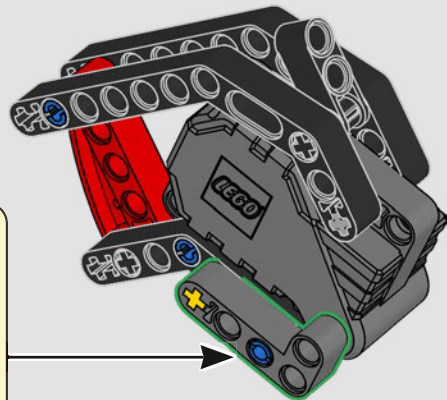


1x

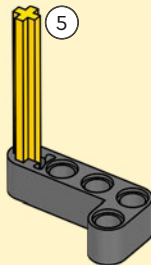


1x

10



5



5

1:1

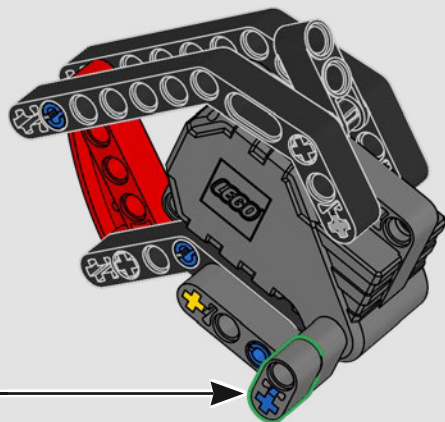
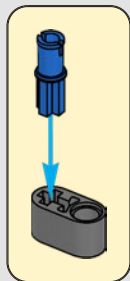


1x



1x

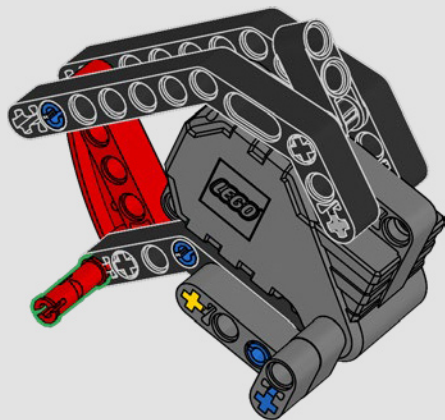
11





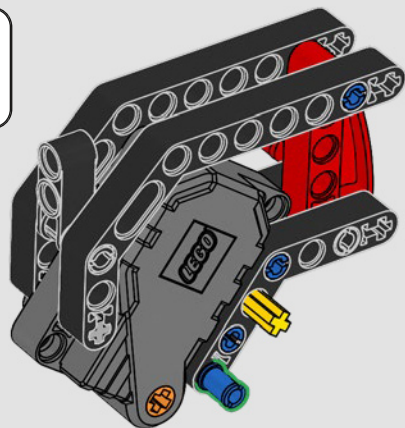
1x

12



1x

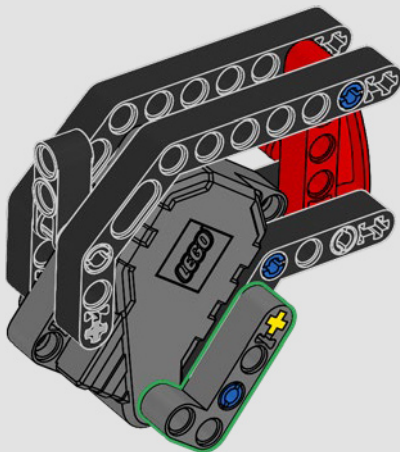
13





1x

14





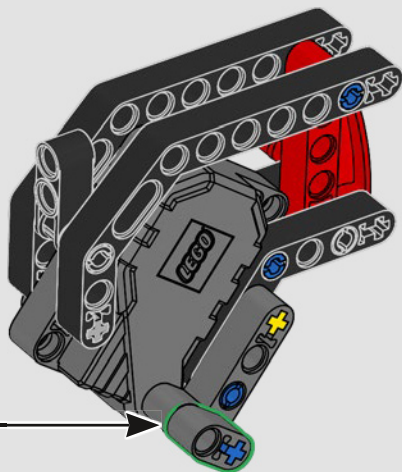
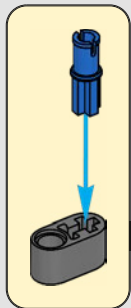


1x



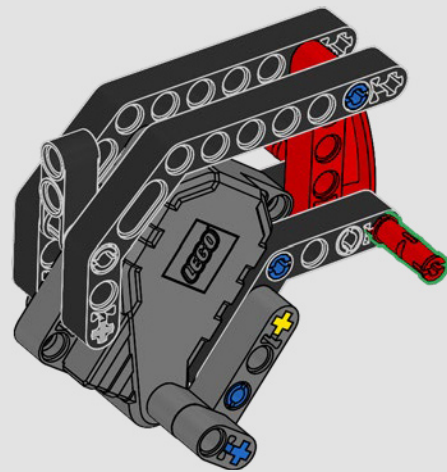
1x

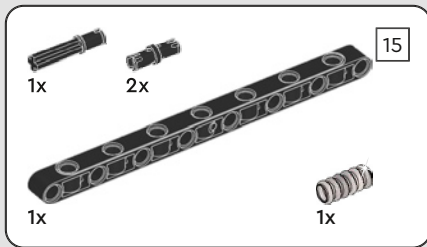
# 15



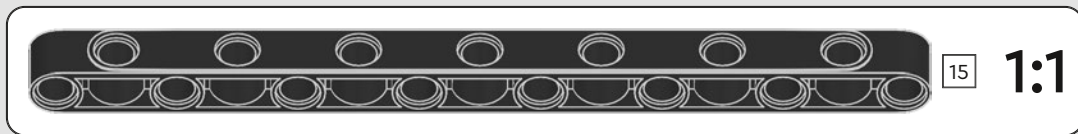
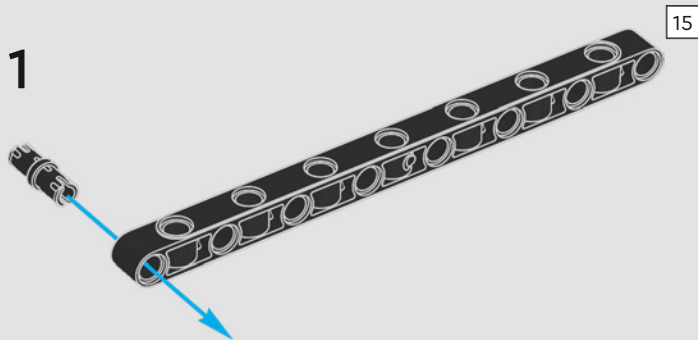
1x

# 16

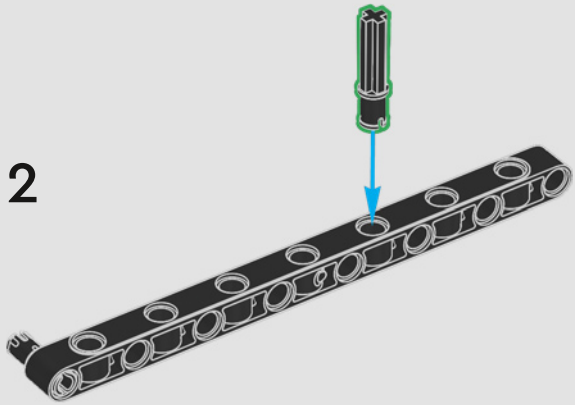




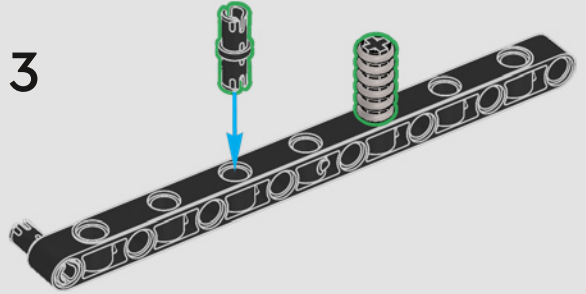
17

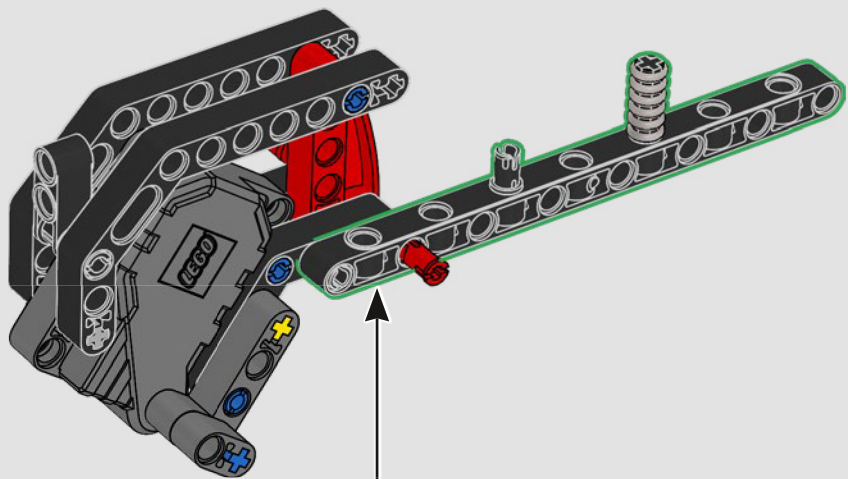


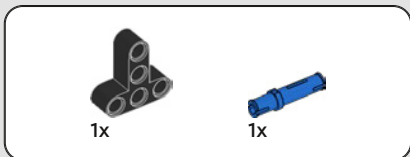
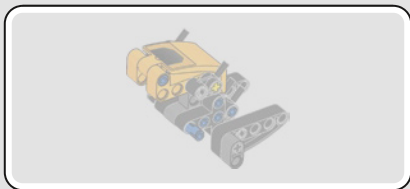
2



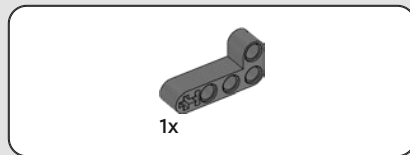
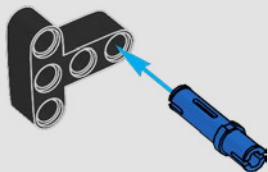
3



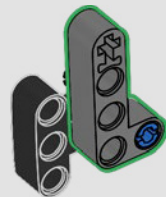




18



19

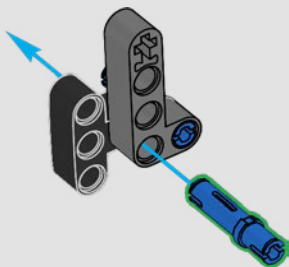






1x

20





1x



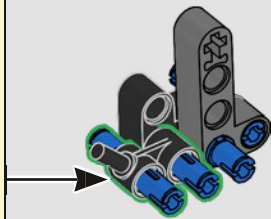
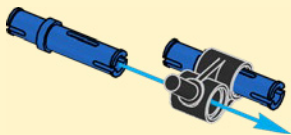
2x

# 21

1



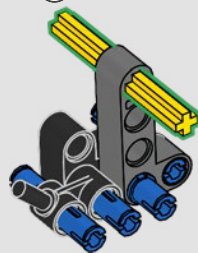
2



1x

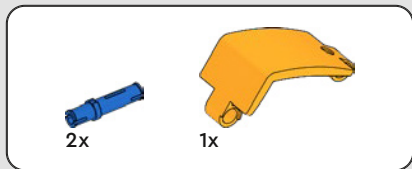
# 22

5

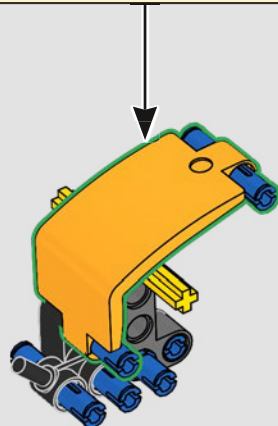
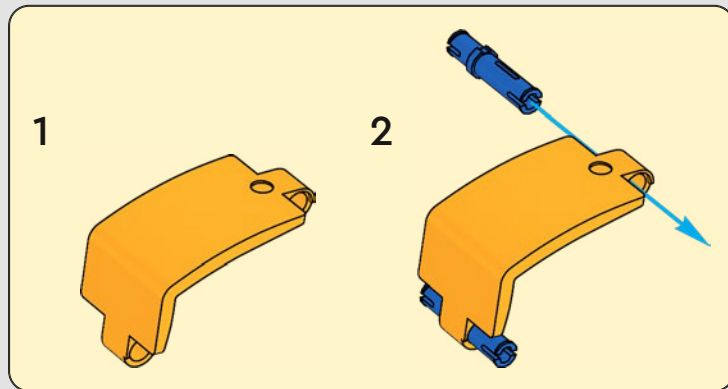


5

1:1



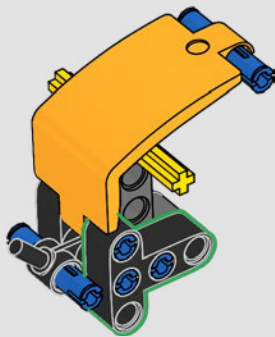
23





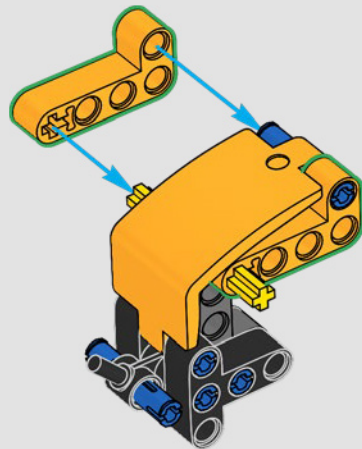
1x

24

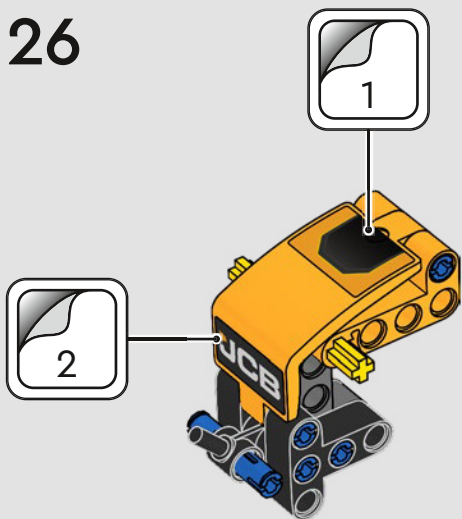


2x

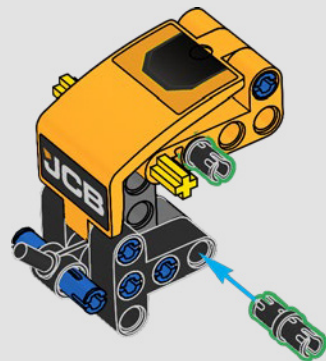
25



26



27

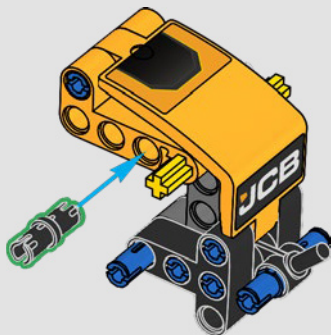






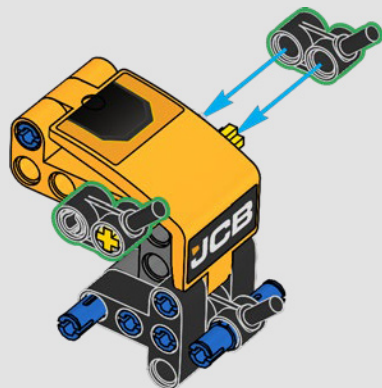
1x

28



2x

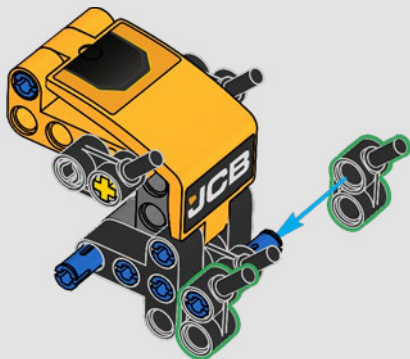
29

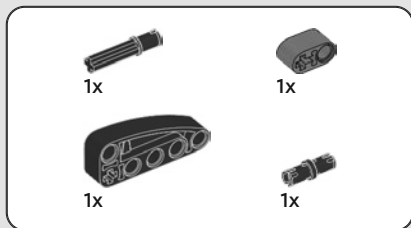




2x

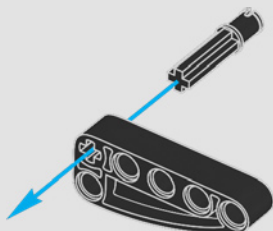
30



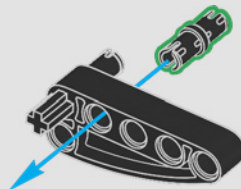


31

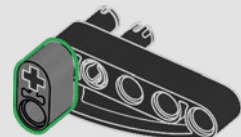
1

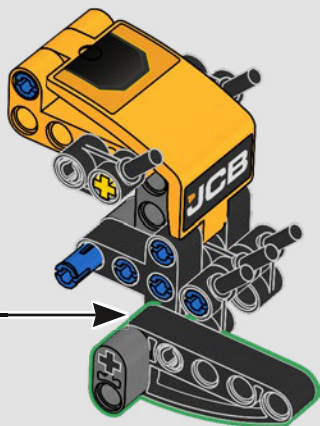


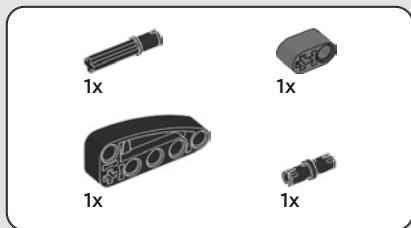
2



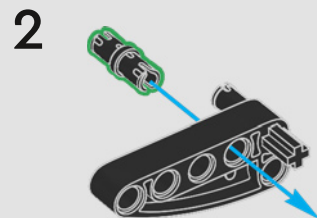
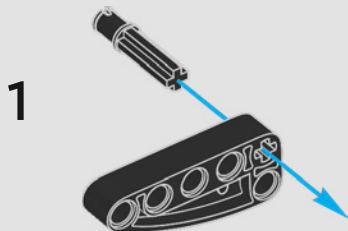
3

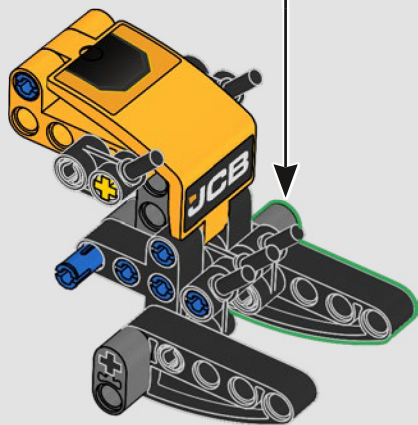




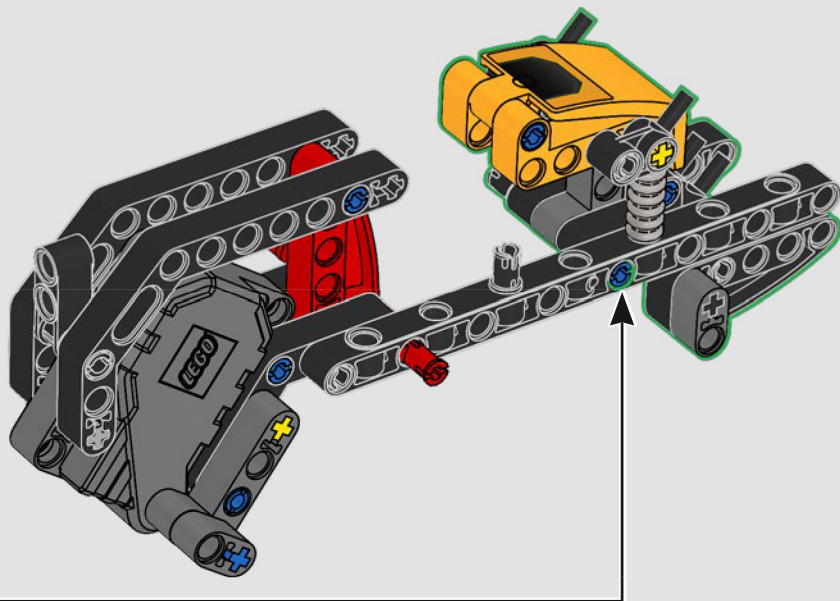


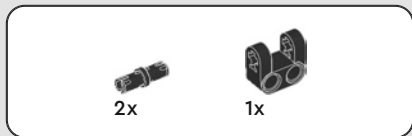
32



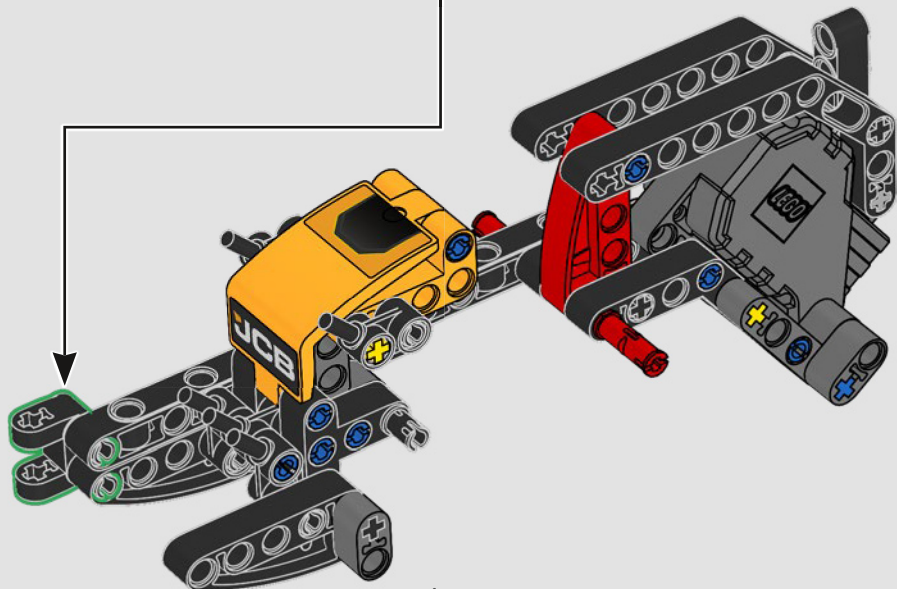
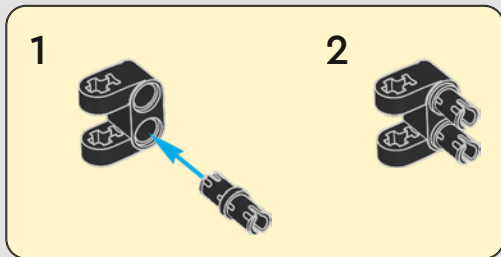


33

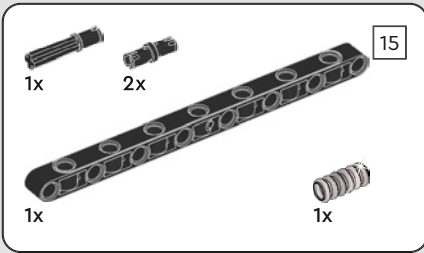




34

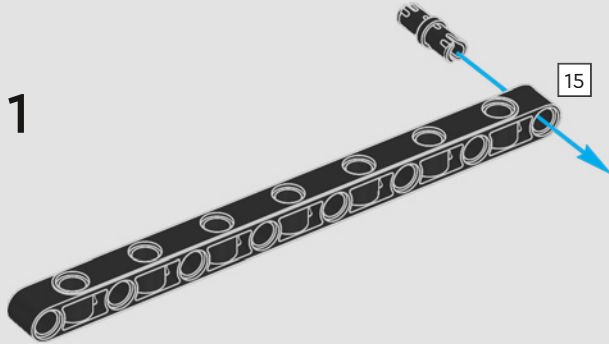




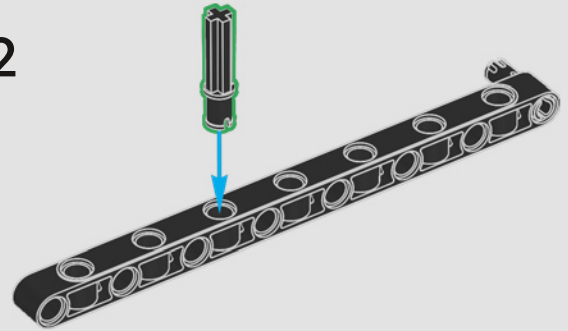


35

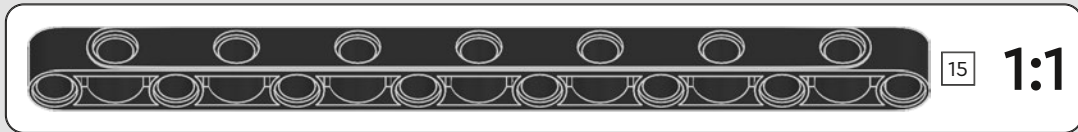
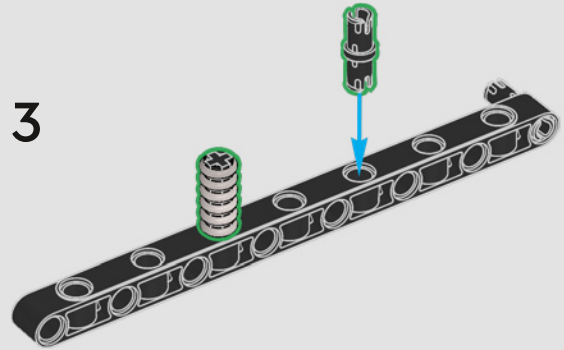
1

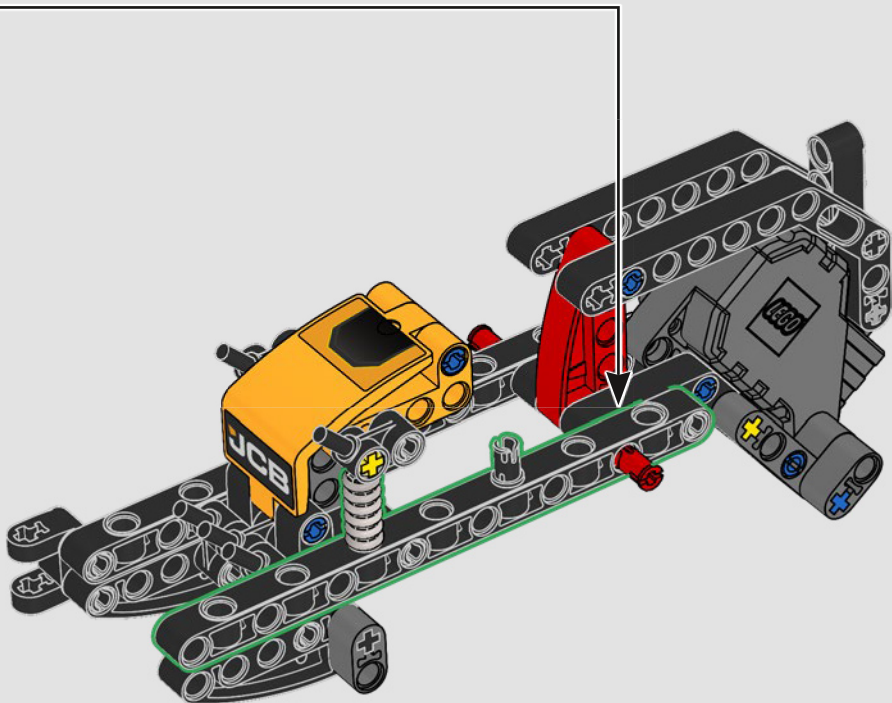


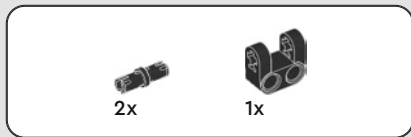
2



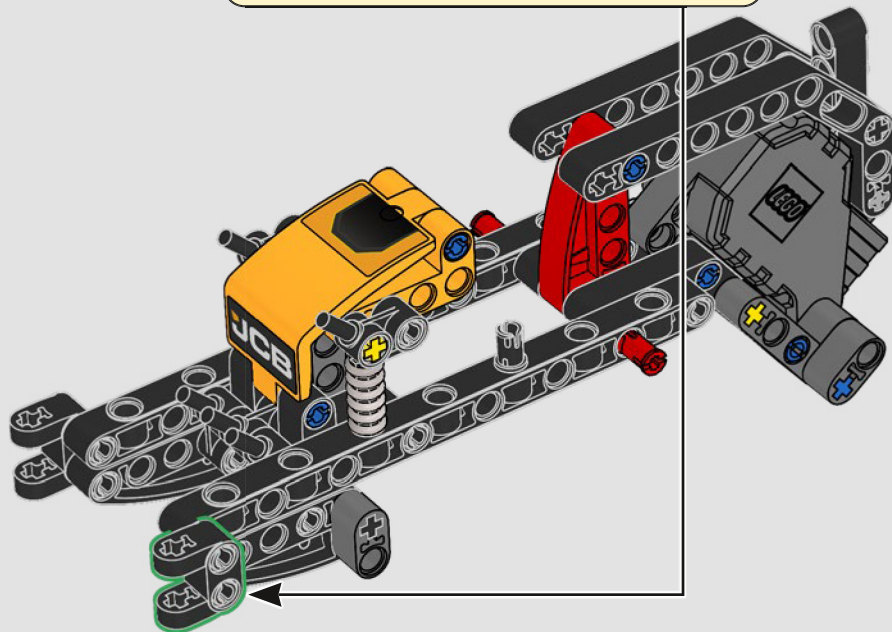
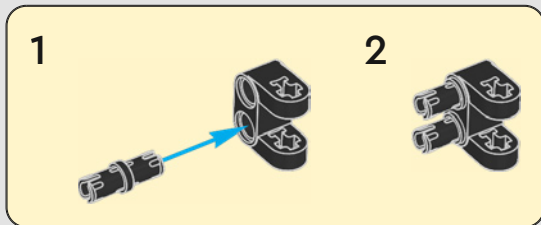
3







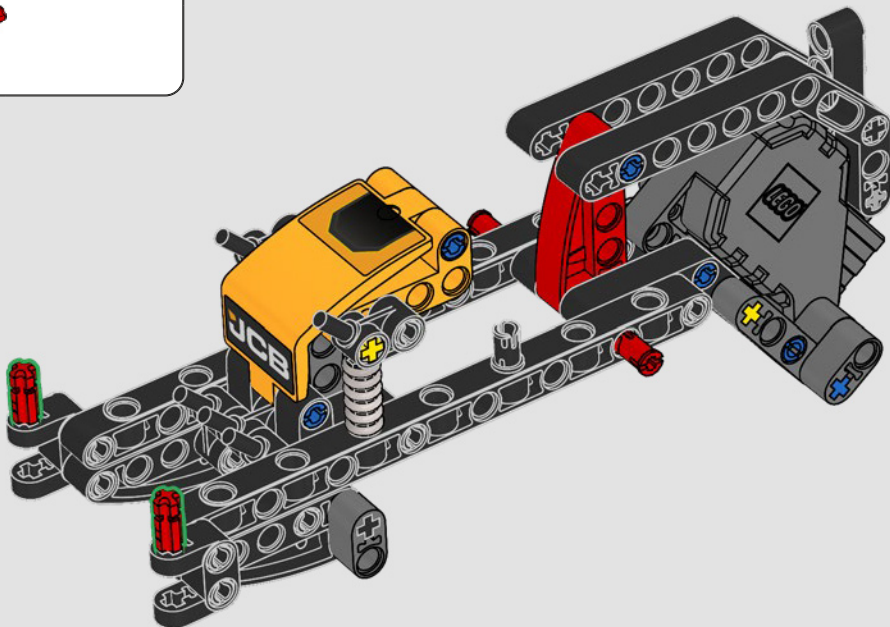
36

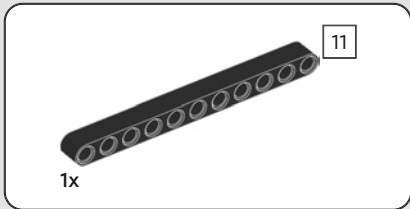




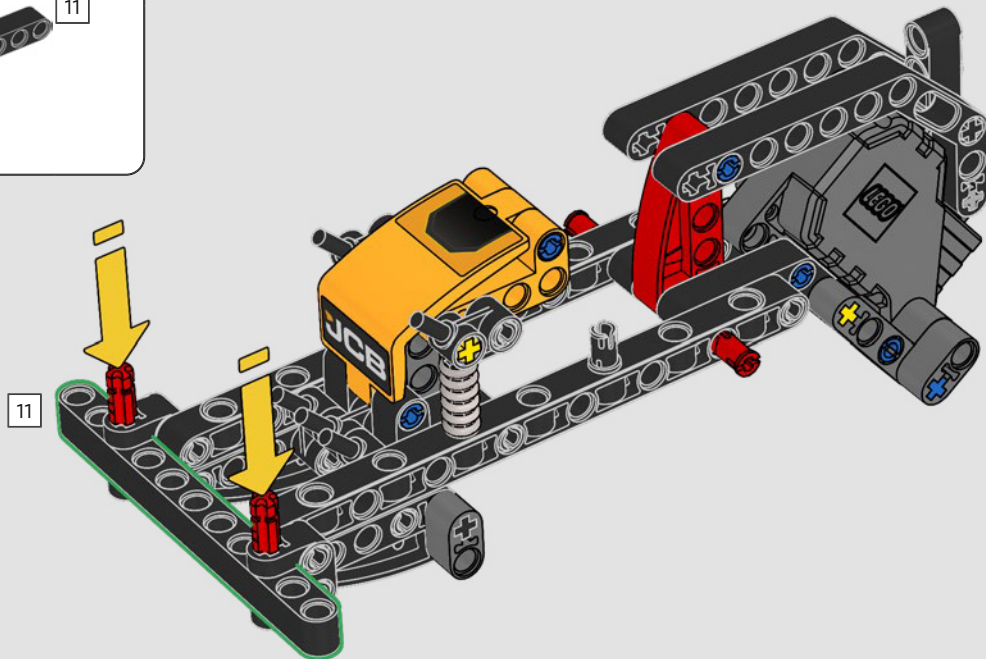
2x

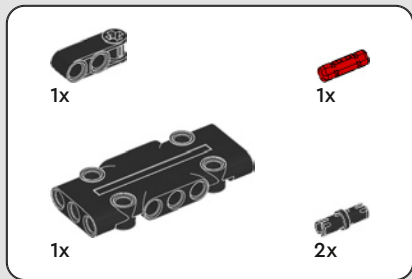
37



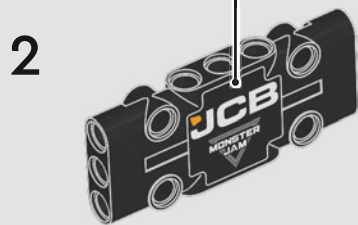
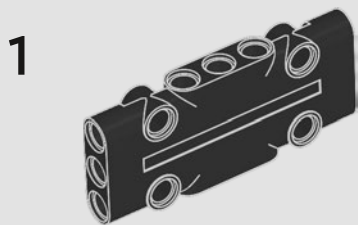


38

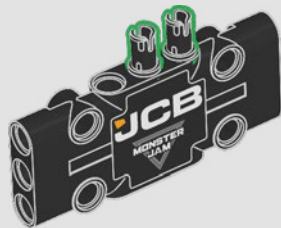




39



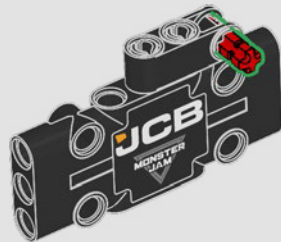
3

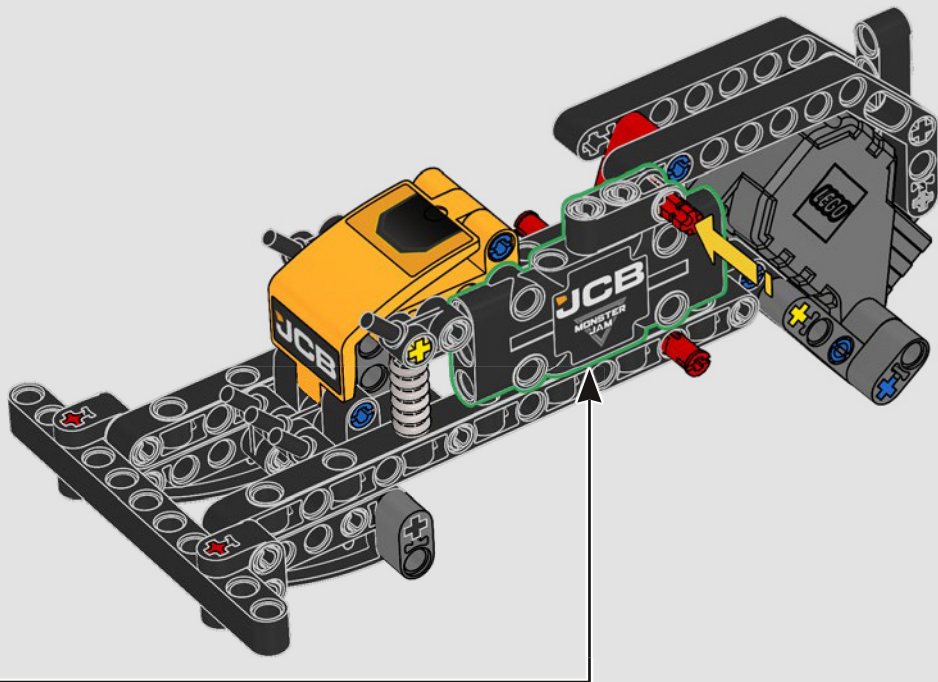


4

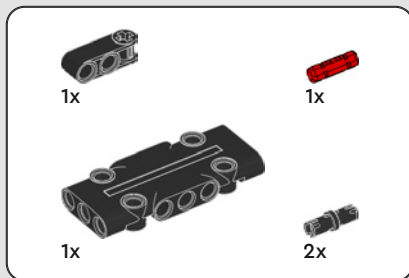


5

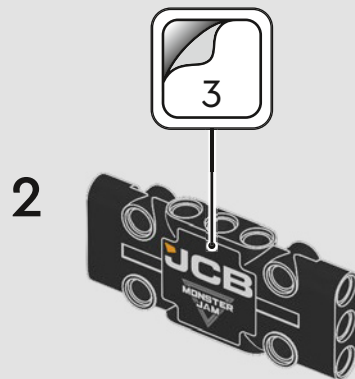
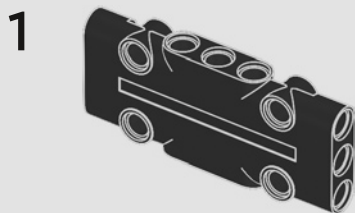




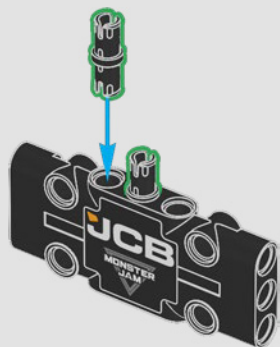




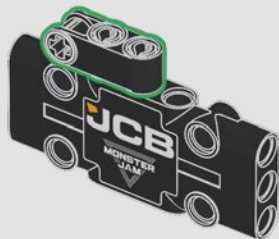
40



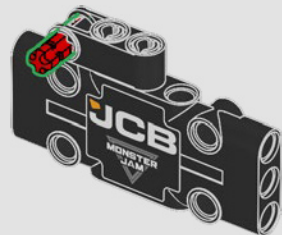
3

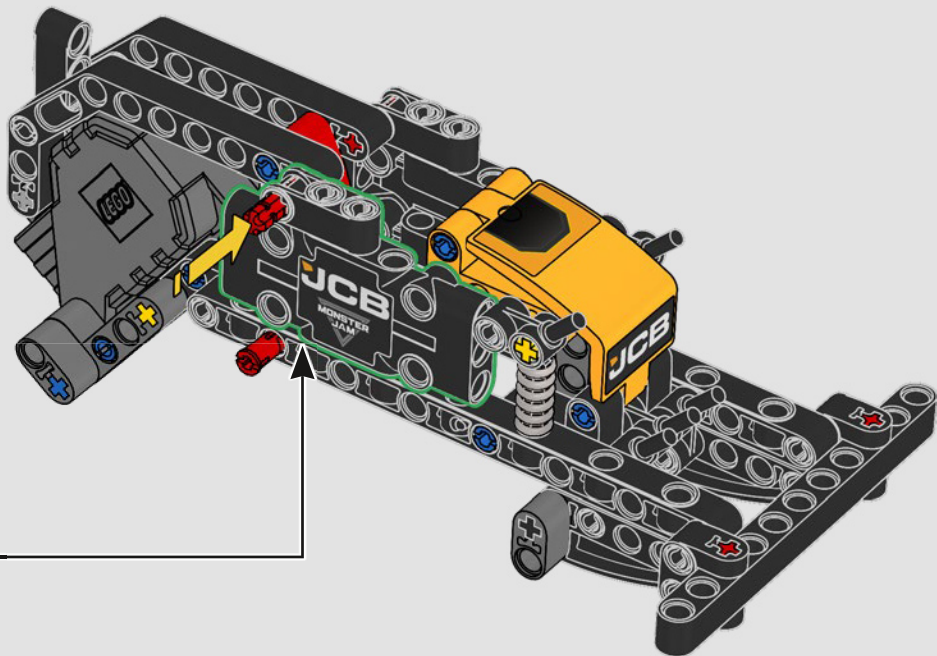


4



5







2x



4x



2x



2x



2x



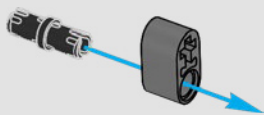
2x



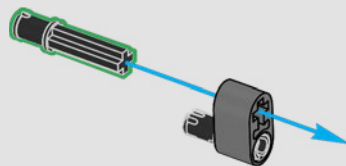
2x

41

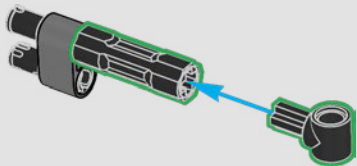
1



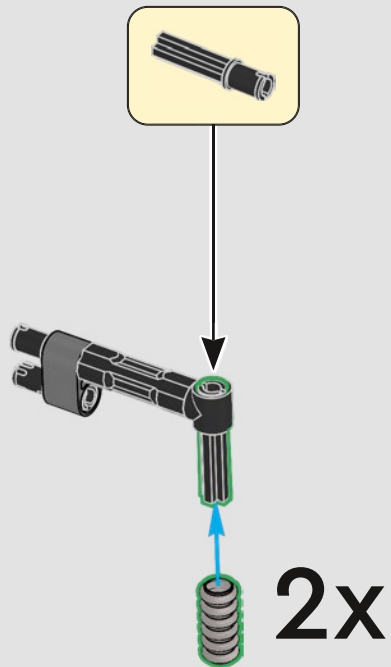
2

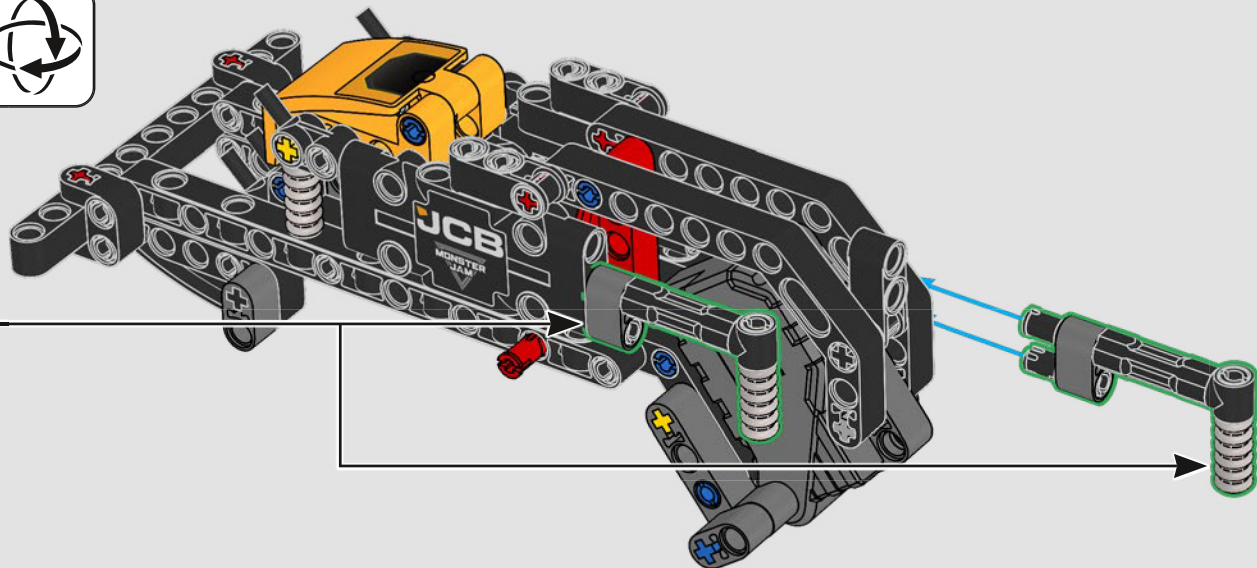


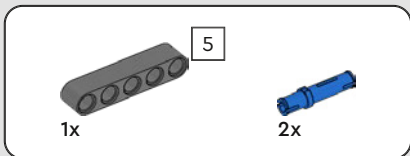
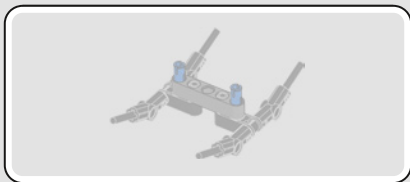
3



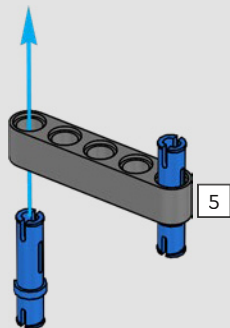
4



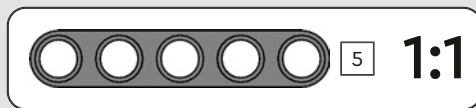
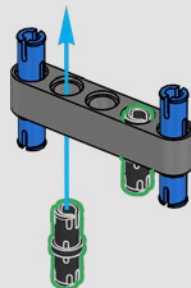


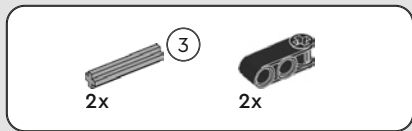


42

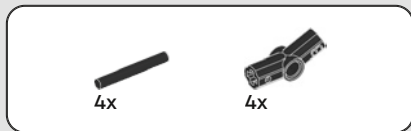
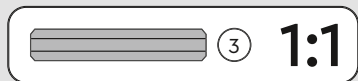
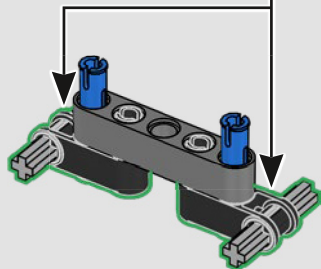
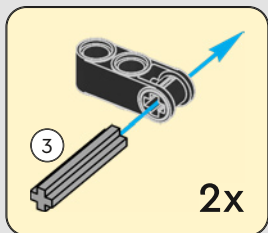


43

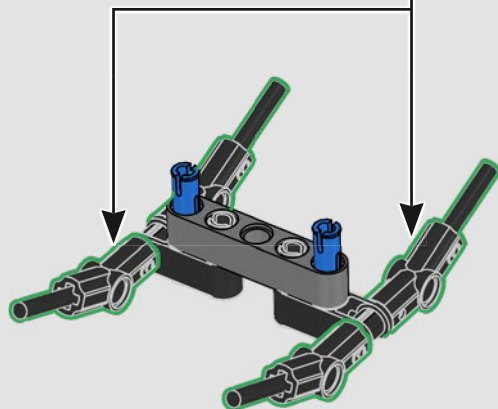
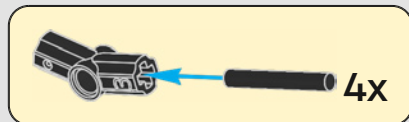




44

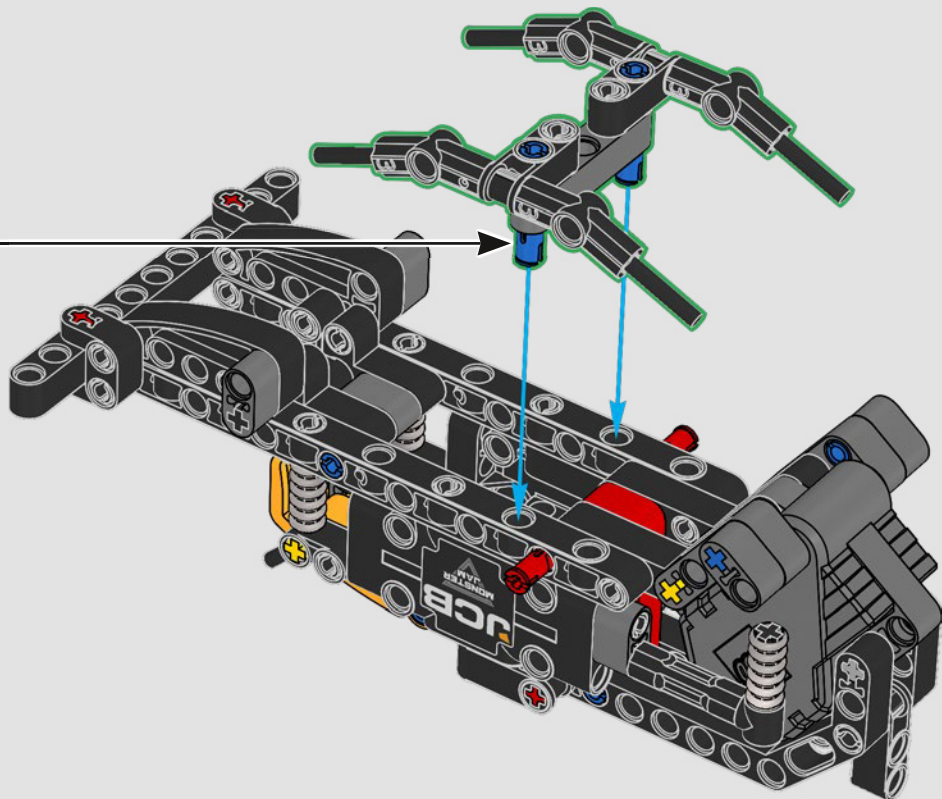


45





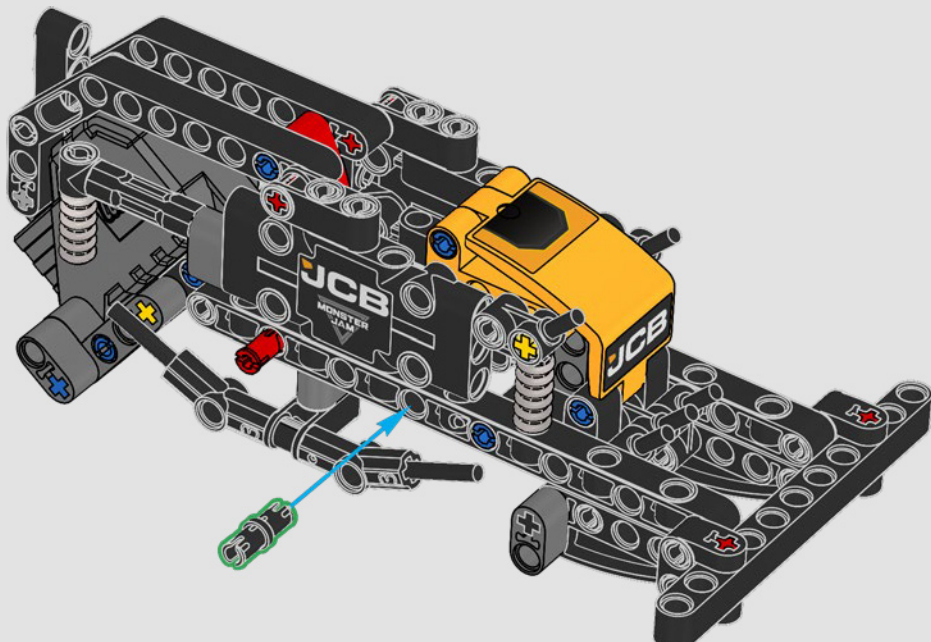
46

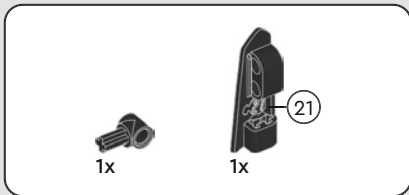




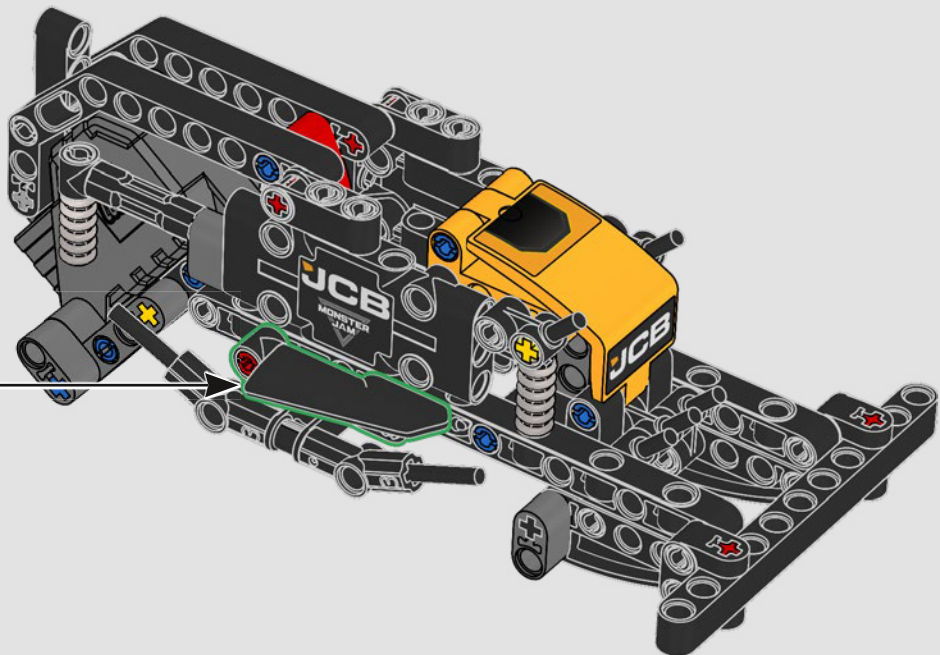
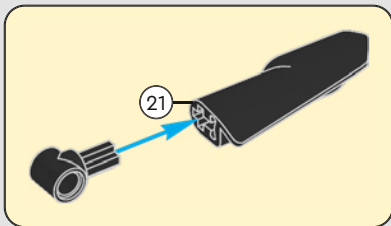
1x

47





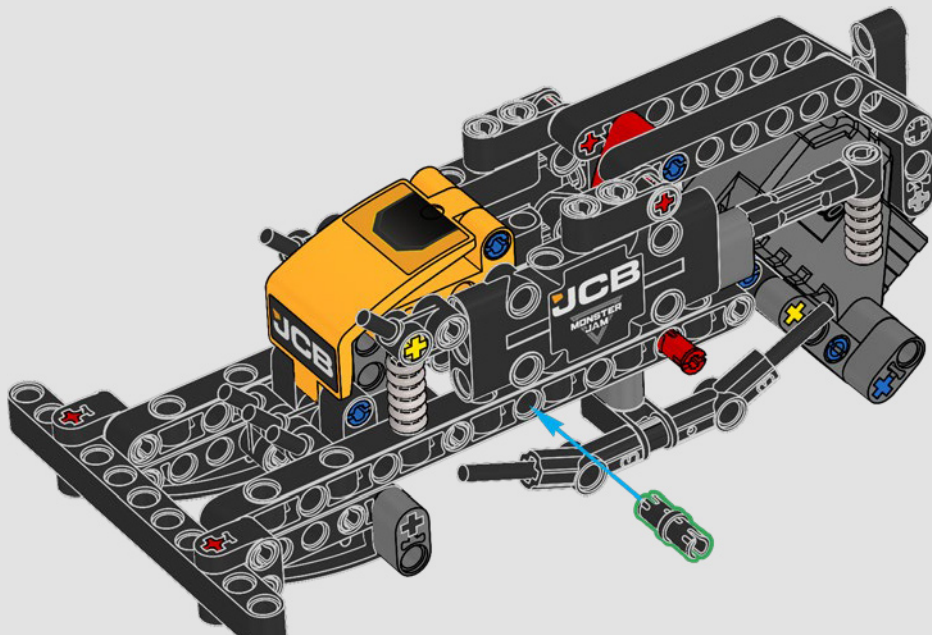
48

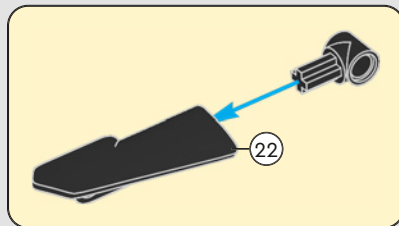
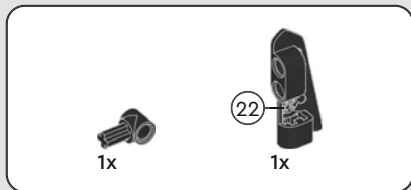




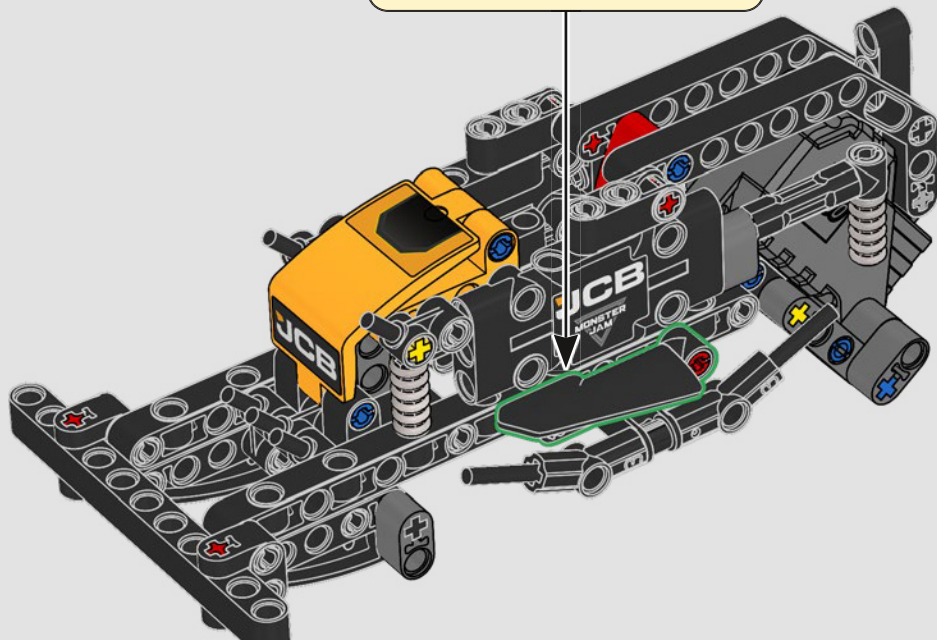
1x

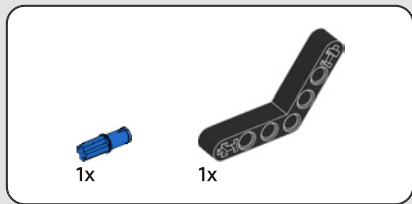
49



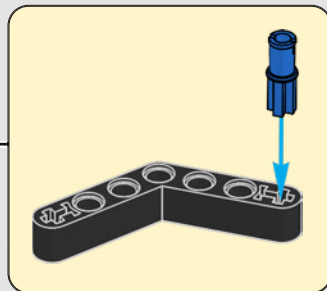
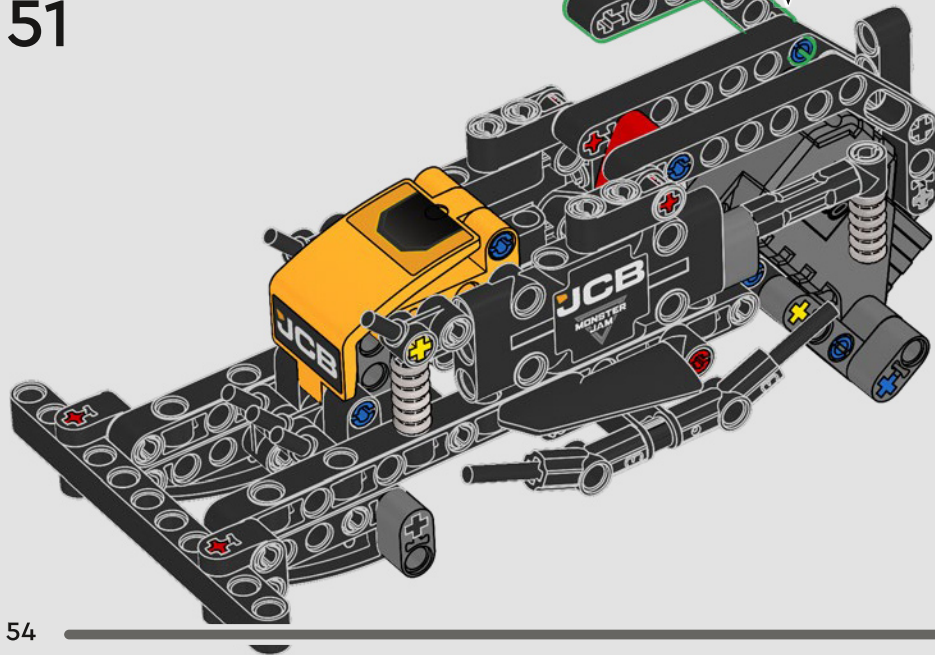


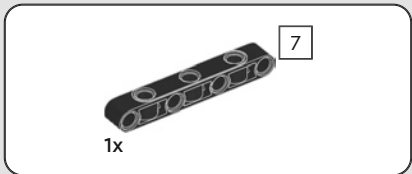
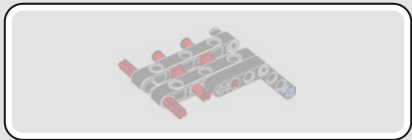
50



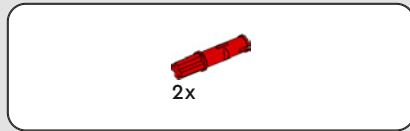
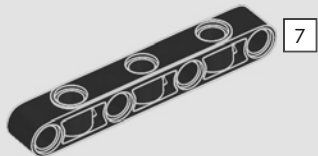


51

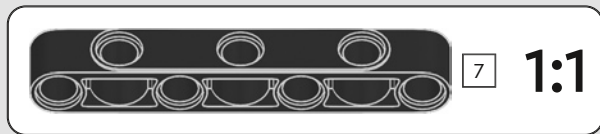
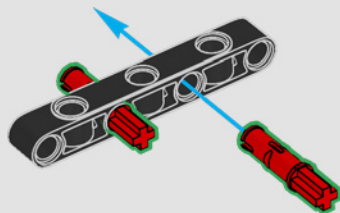




52



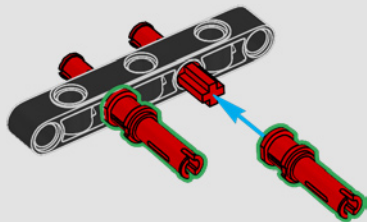
53





2x

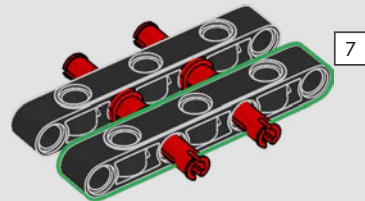
54



1x

7

55



7



7

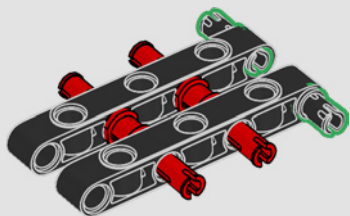
1:1





2x

56

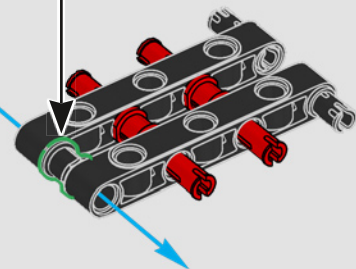
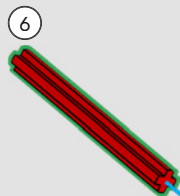


1x



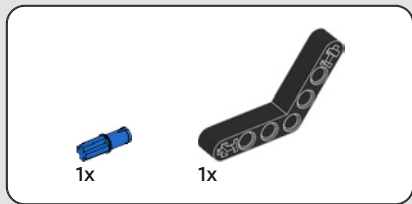
1x

57

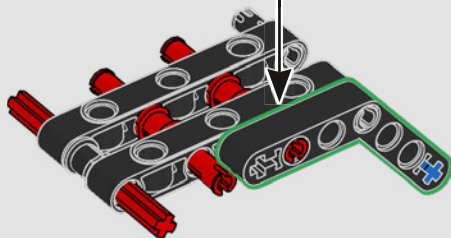
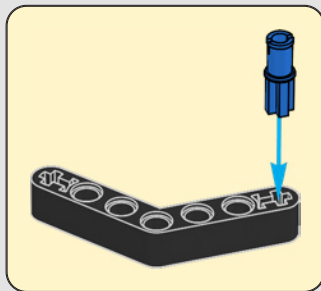


6

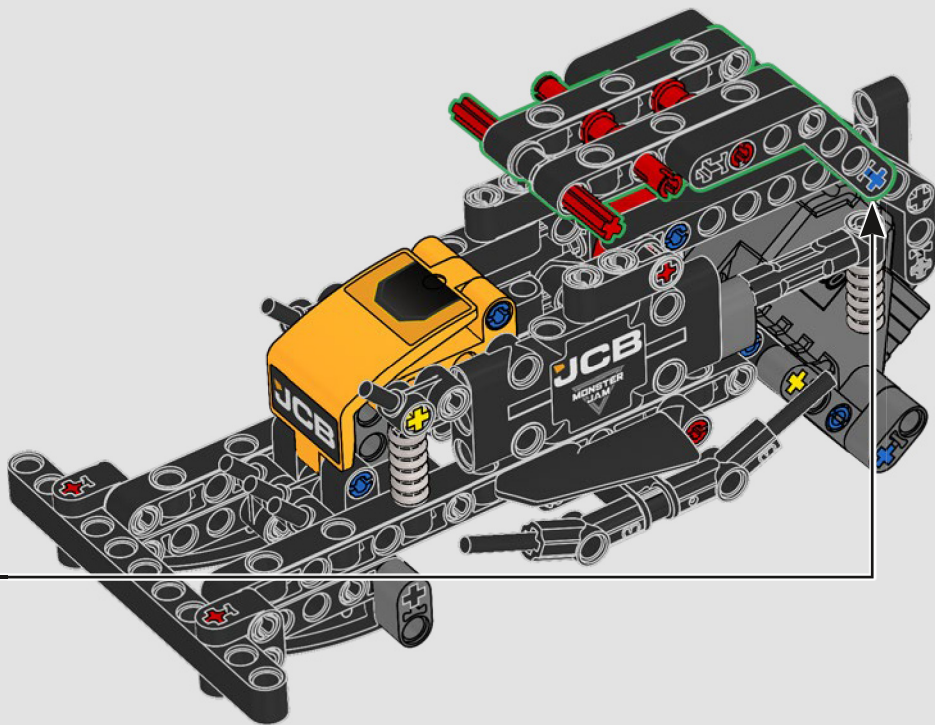
1:1



58



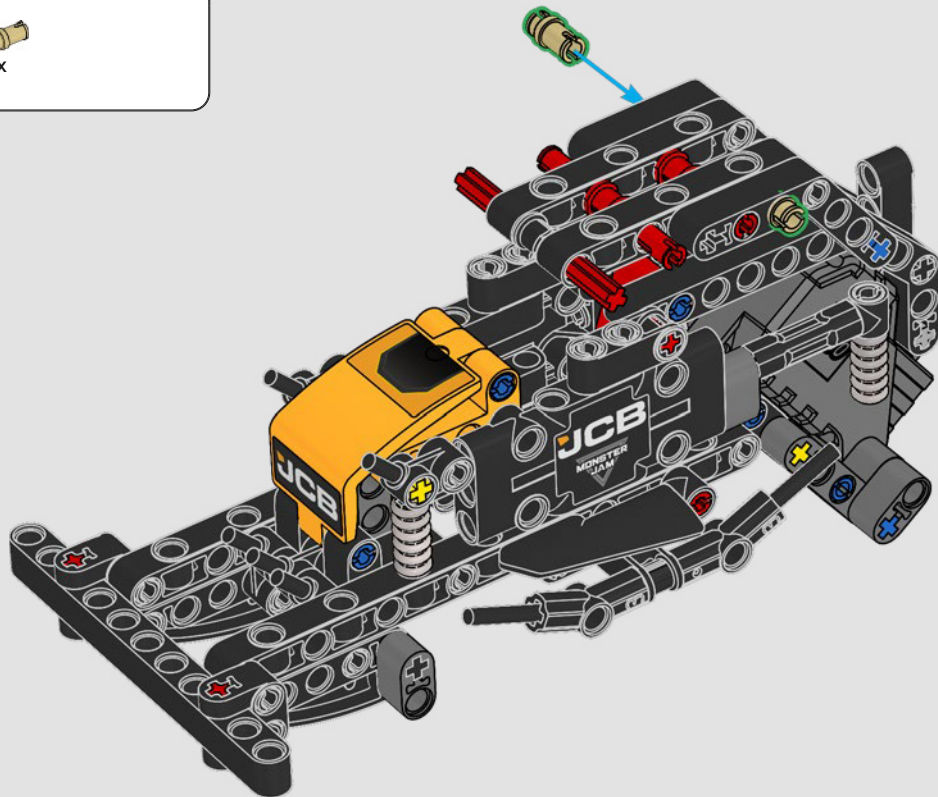
59





2x

60



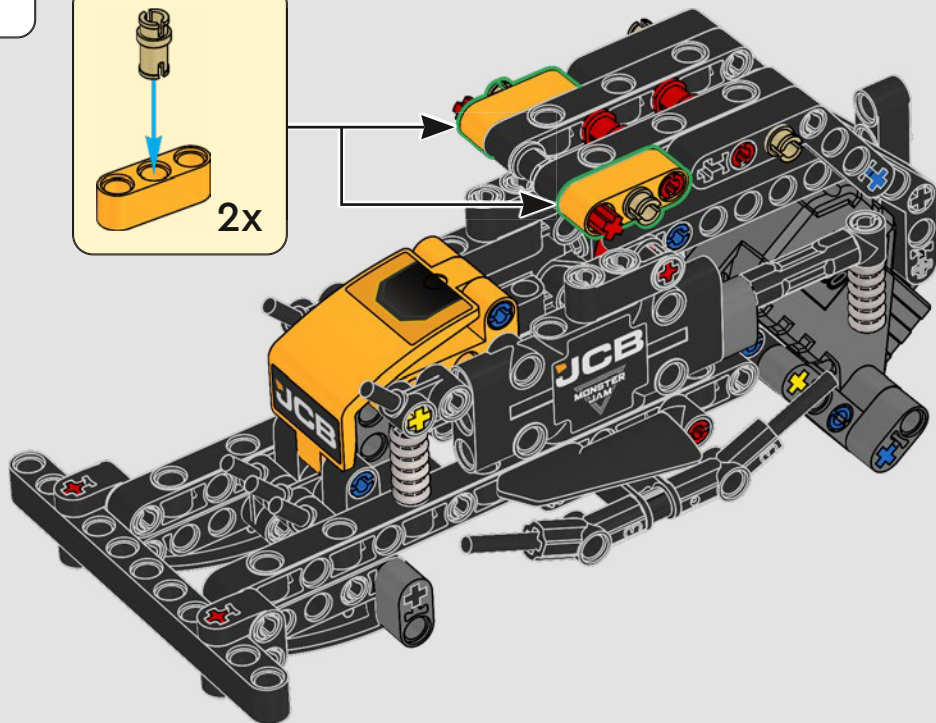
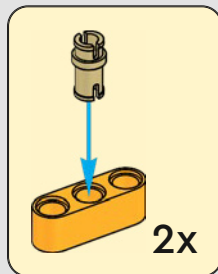


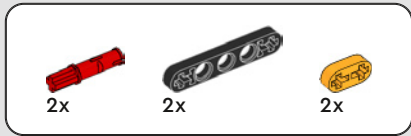
2x



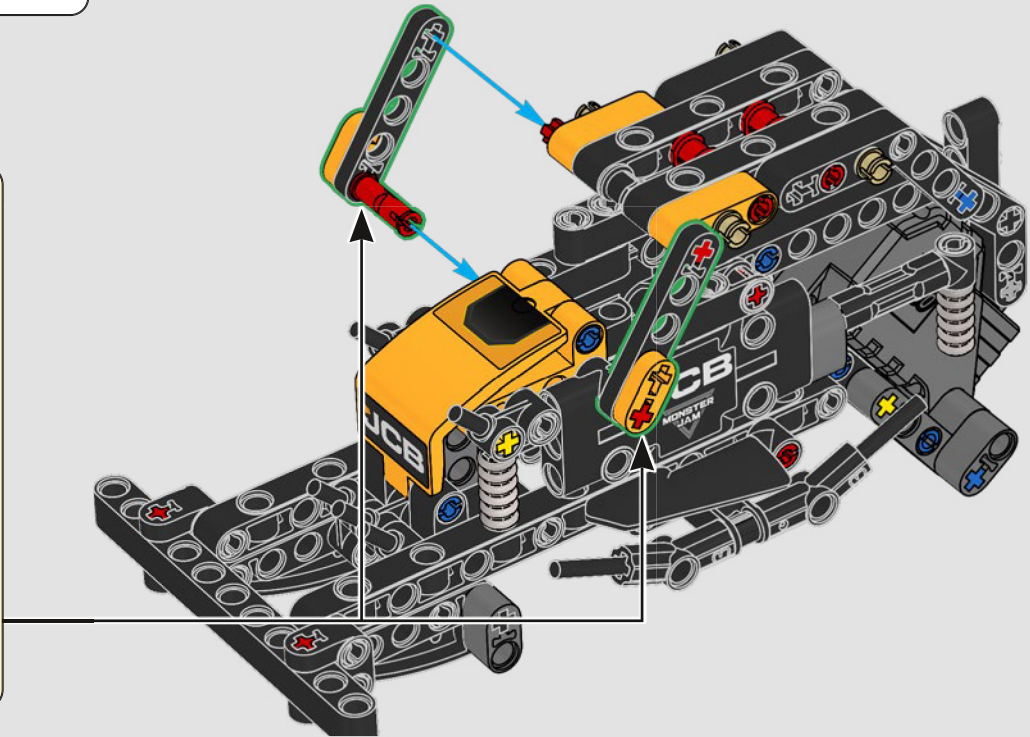
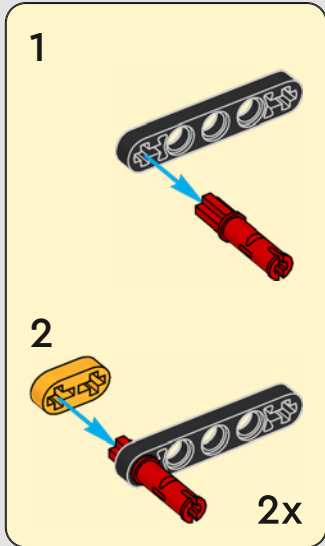
2x

61





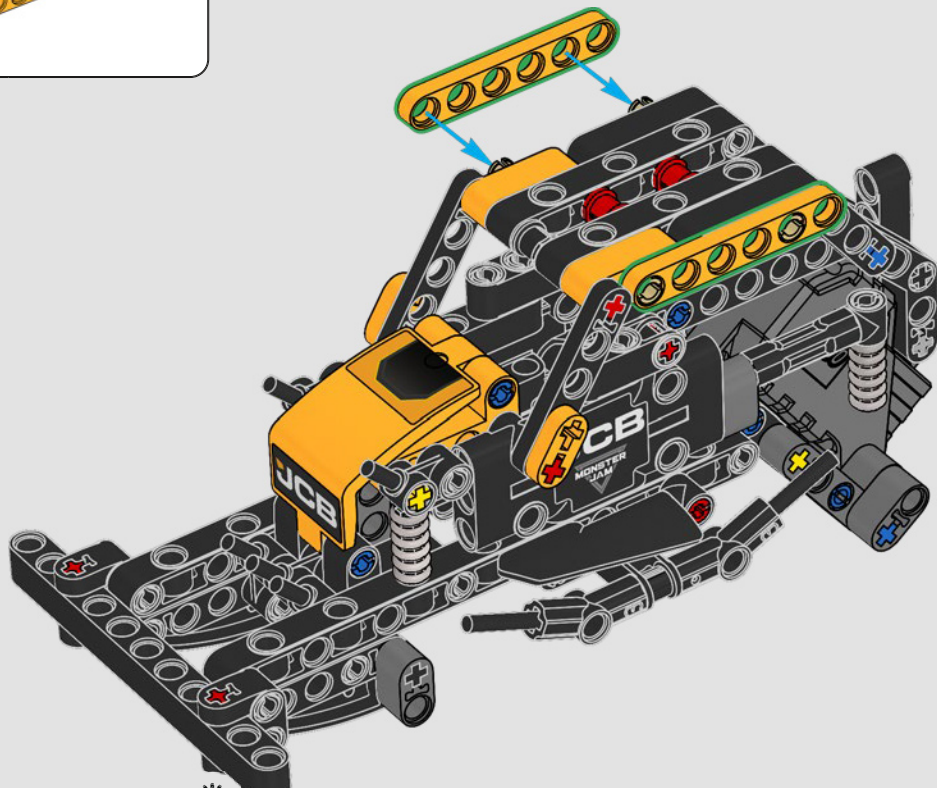
62





2x

63

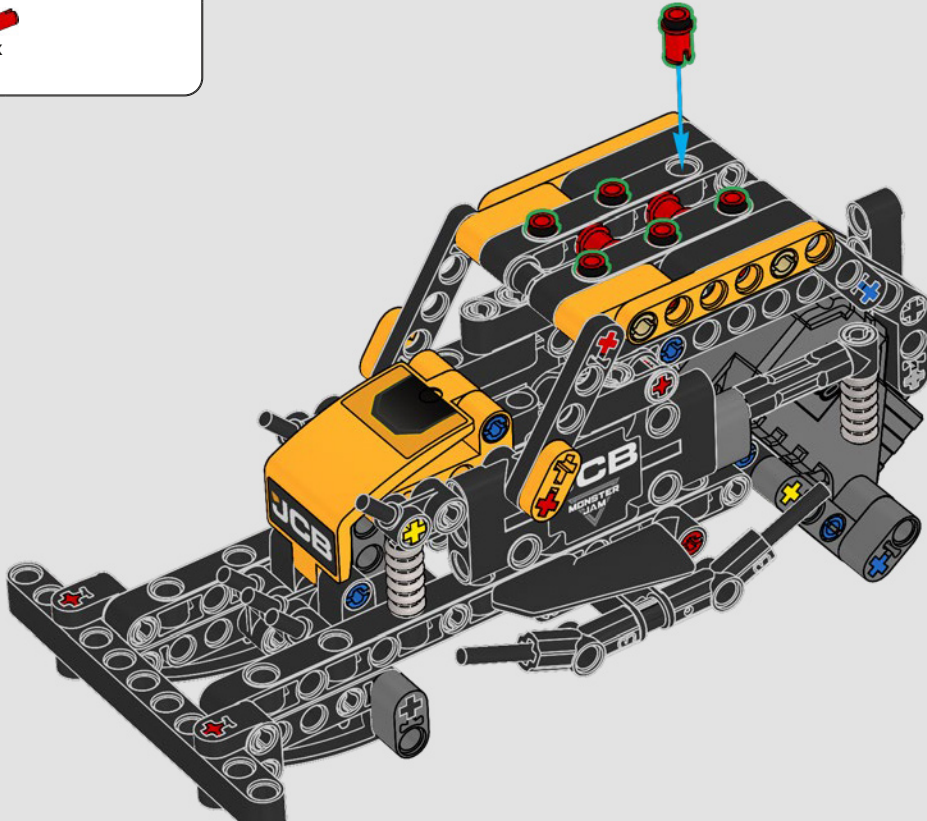




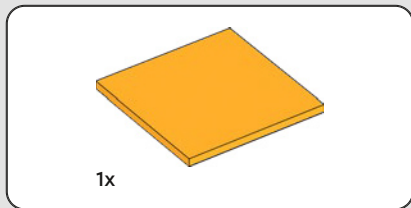


6x

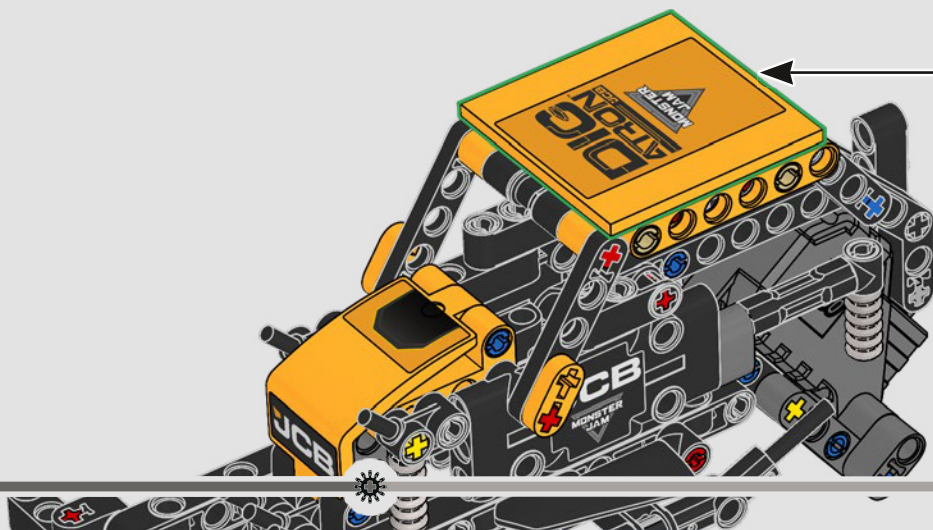
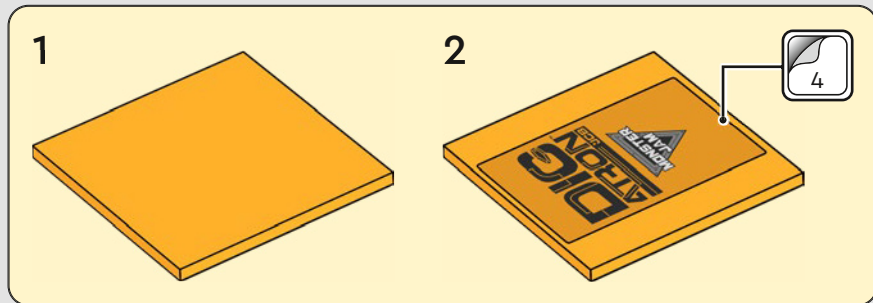
64

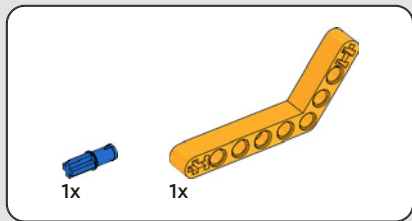




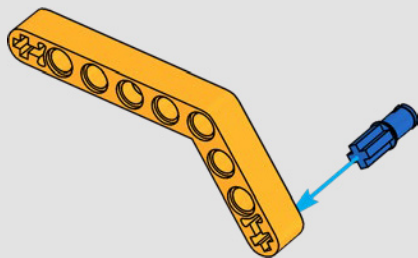


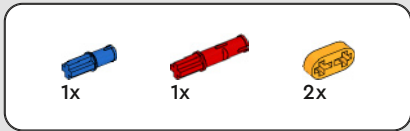
65



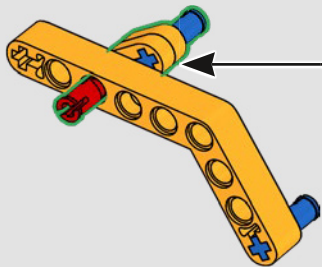
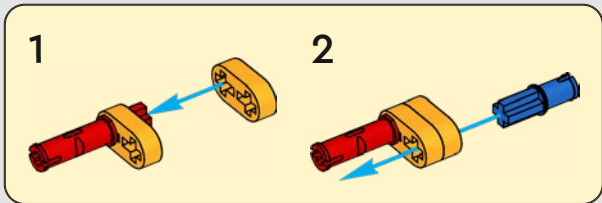


66

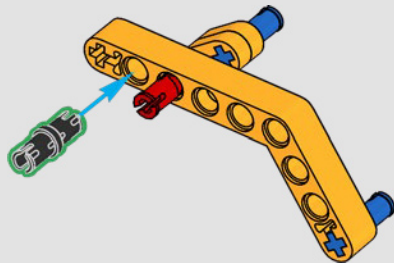




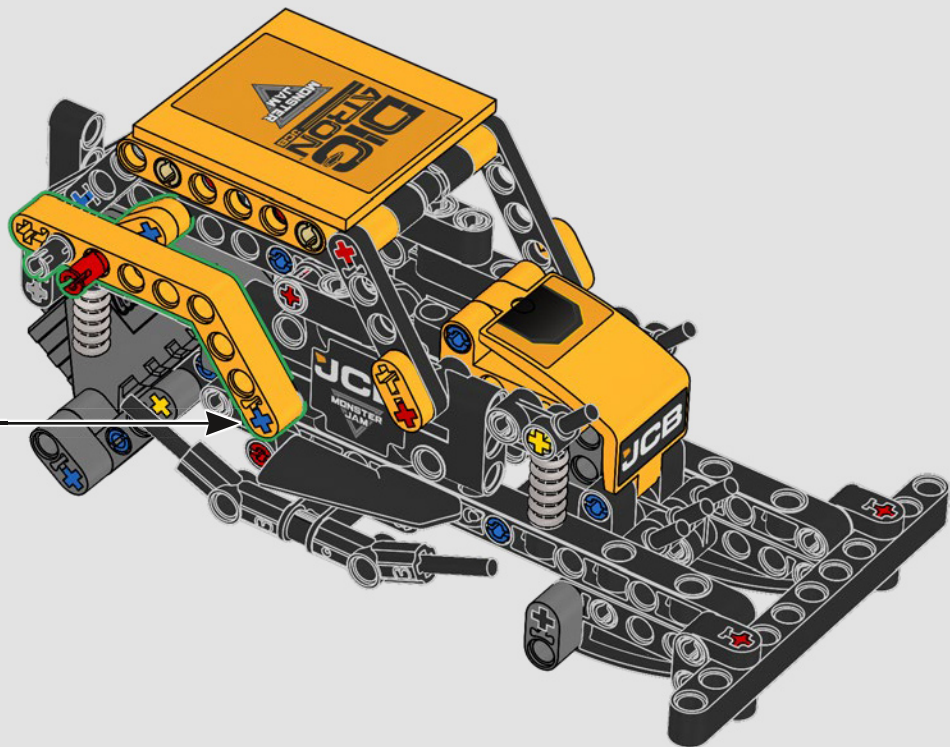
67

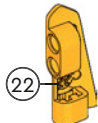


68



69

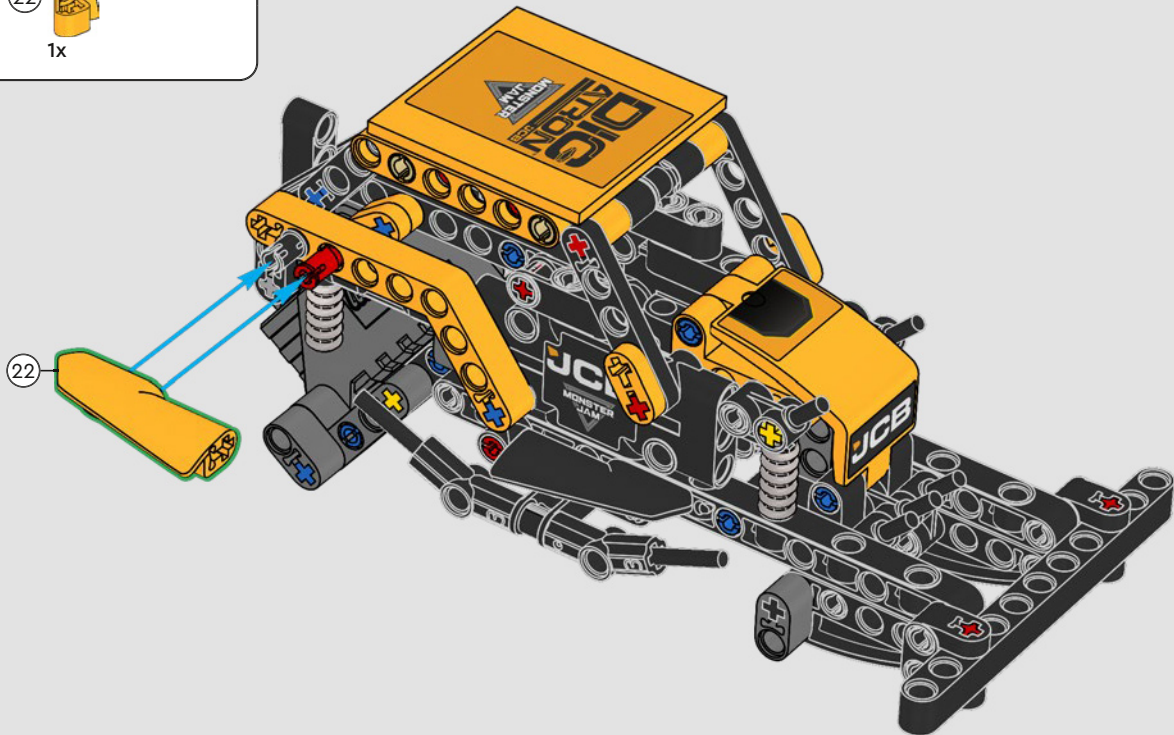




22

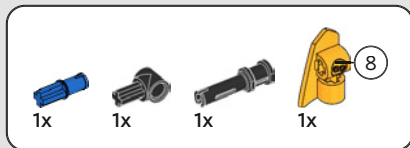
1x

70

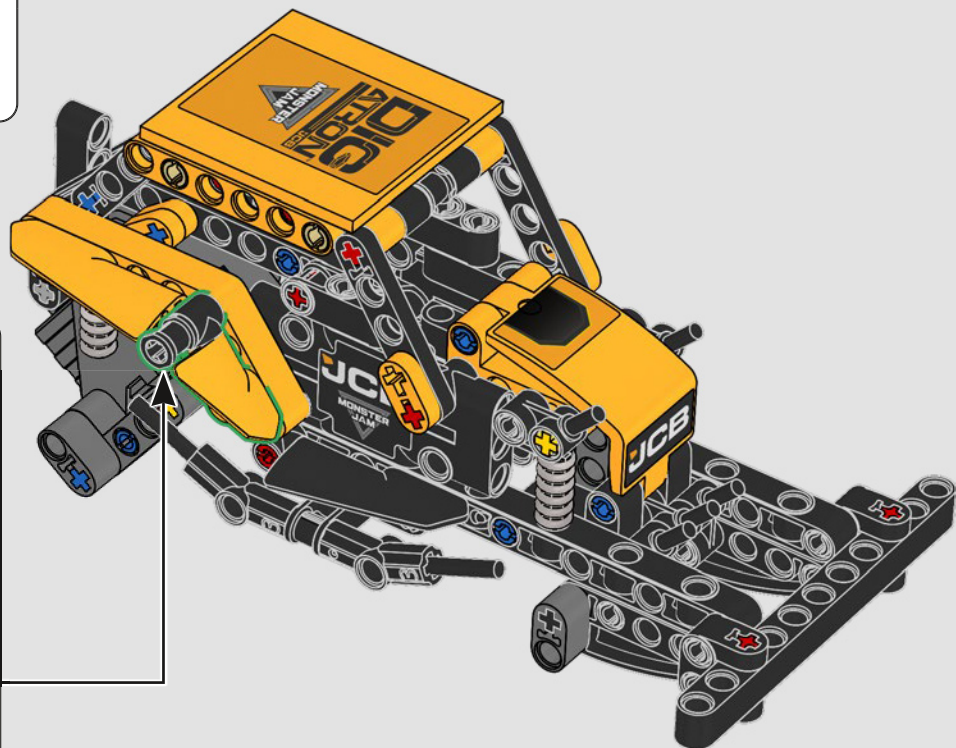
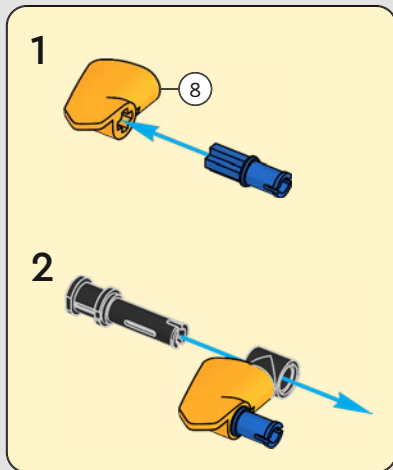


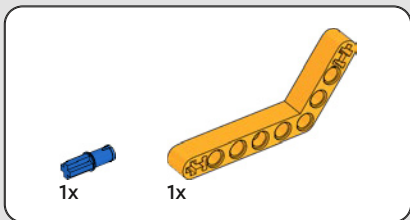
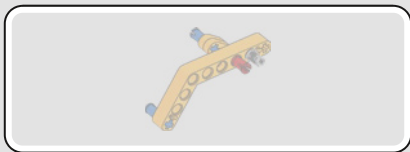
22



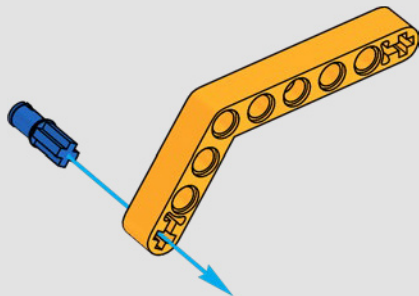


71





72





1x

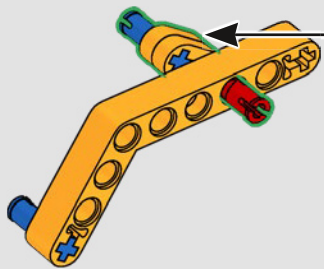
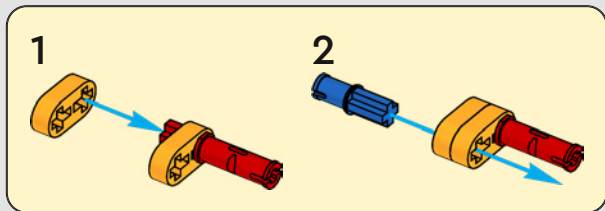


1x



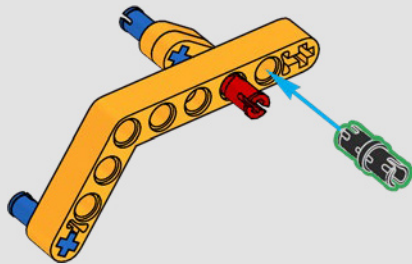
2x

# 73



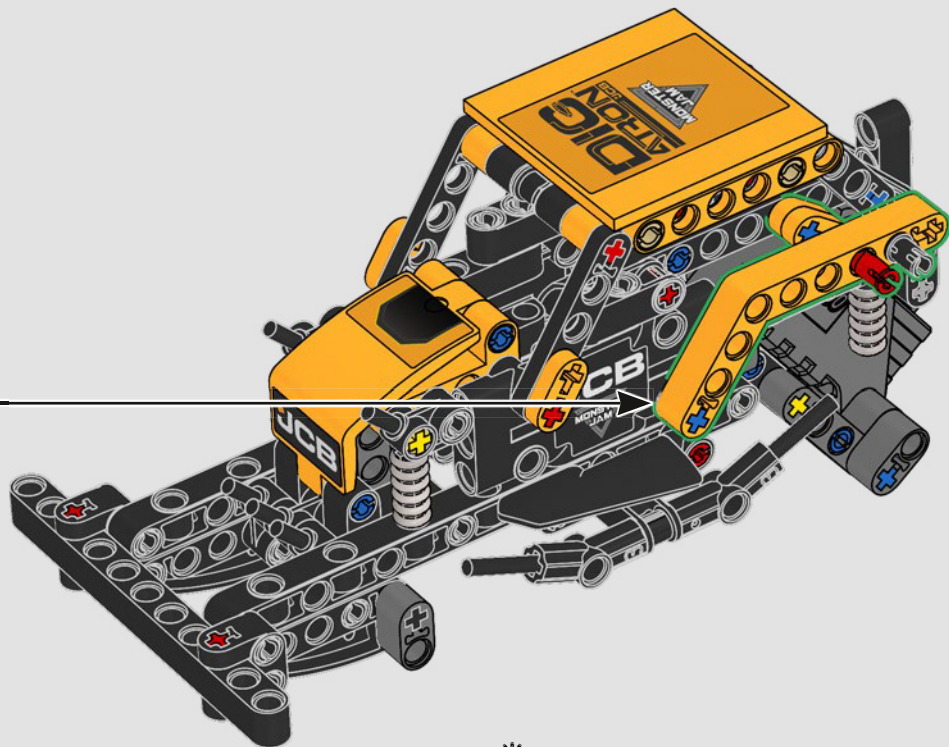
1x

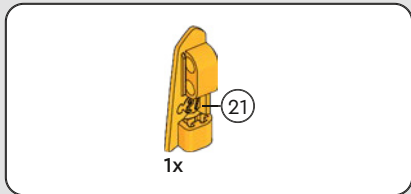
# 74



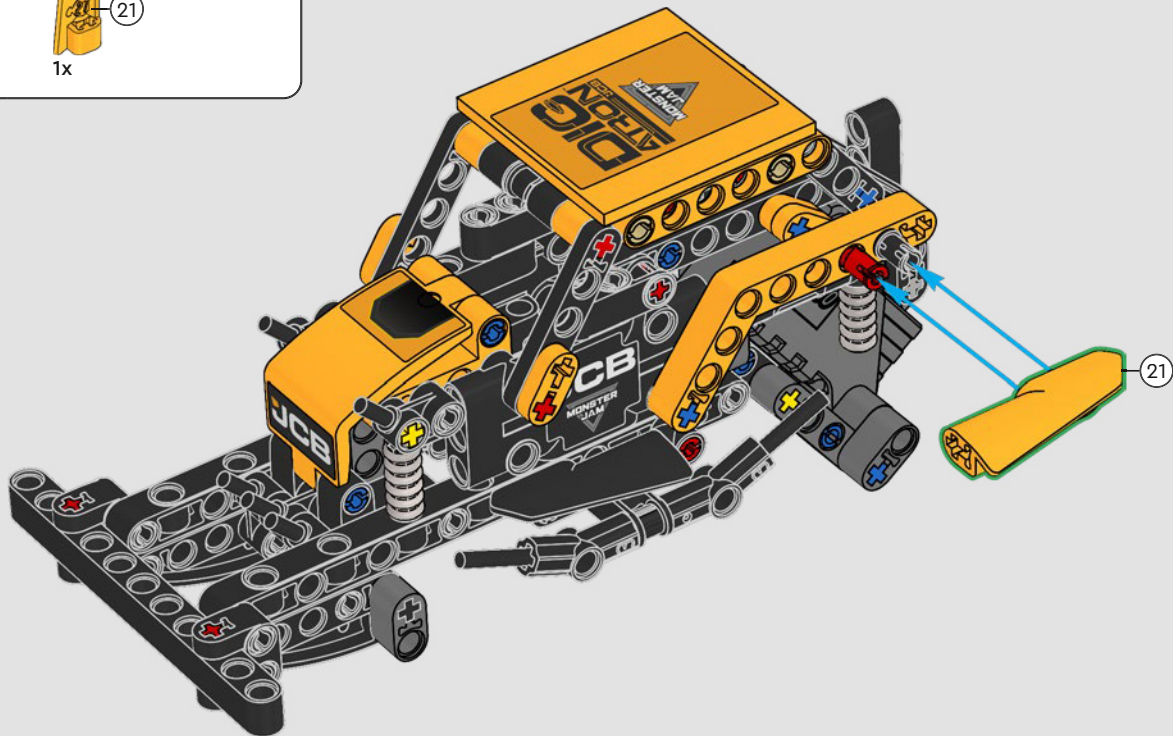


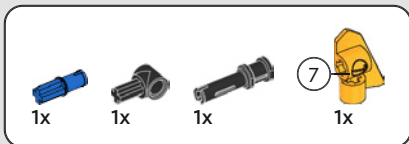
75



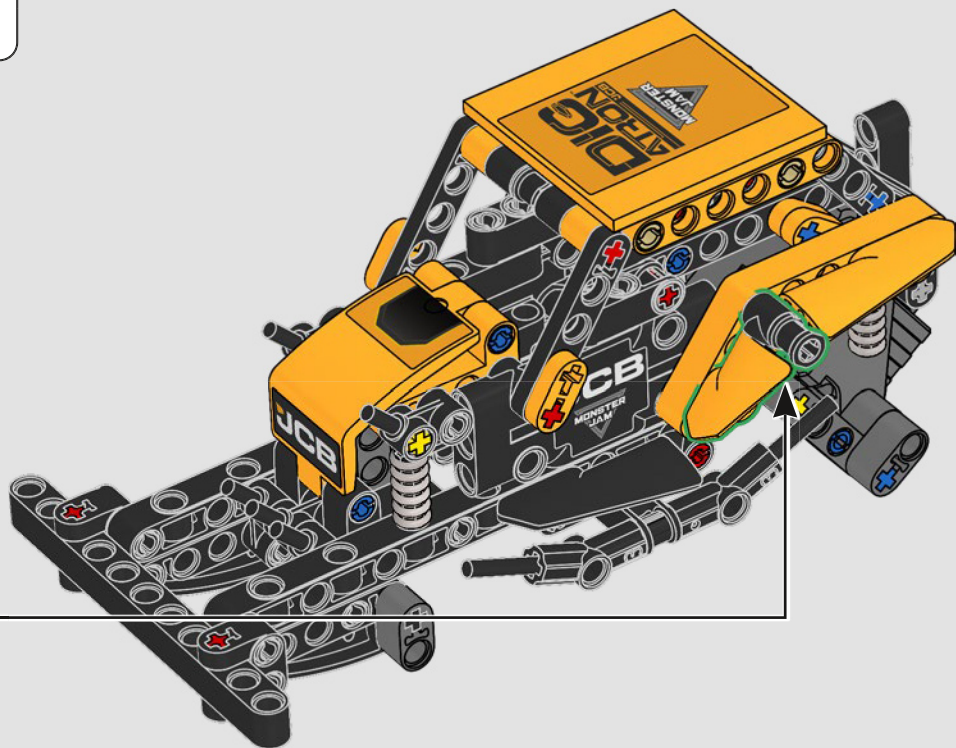
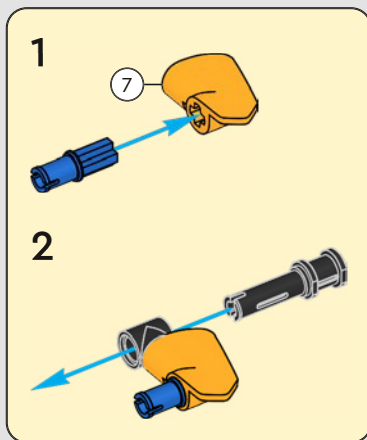


76





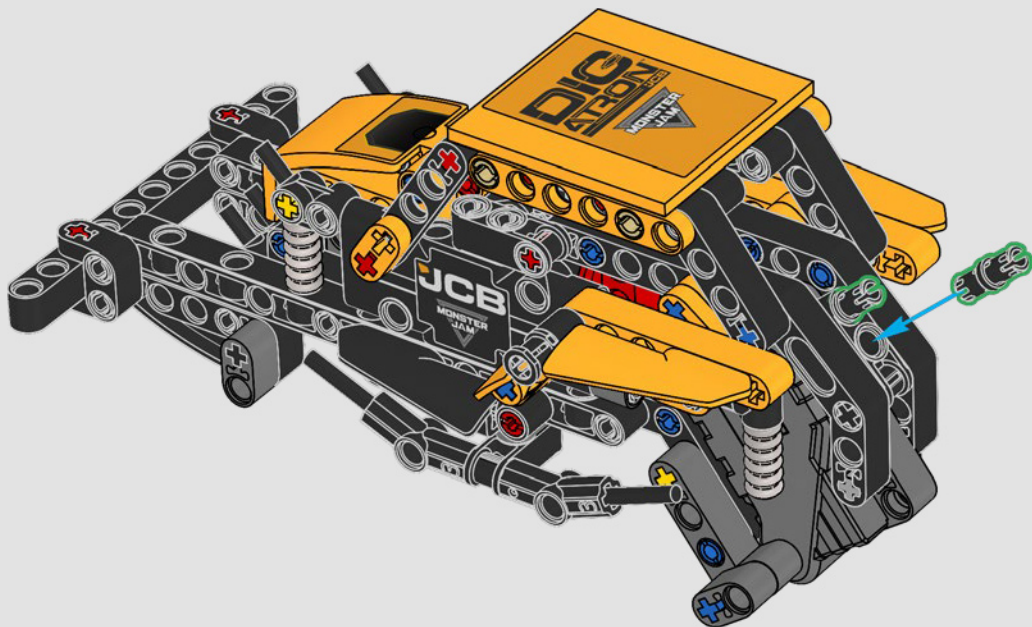
77

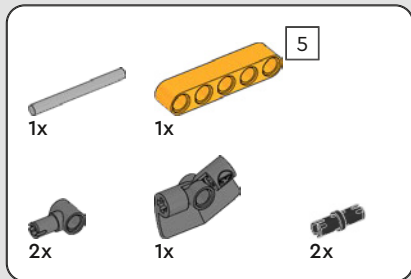




2x

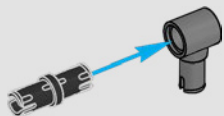
78



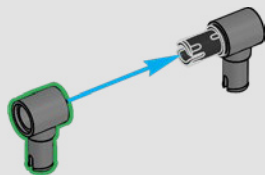


79

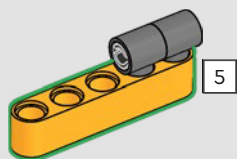
1



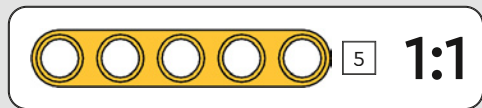
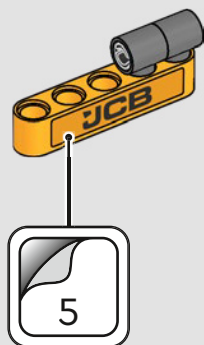
2



3

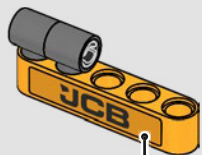


4

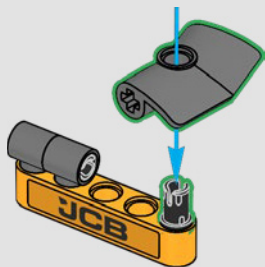




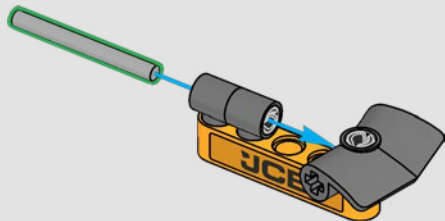
5

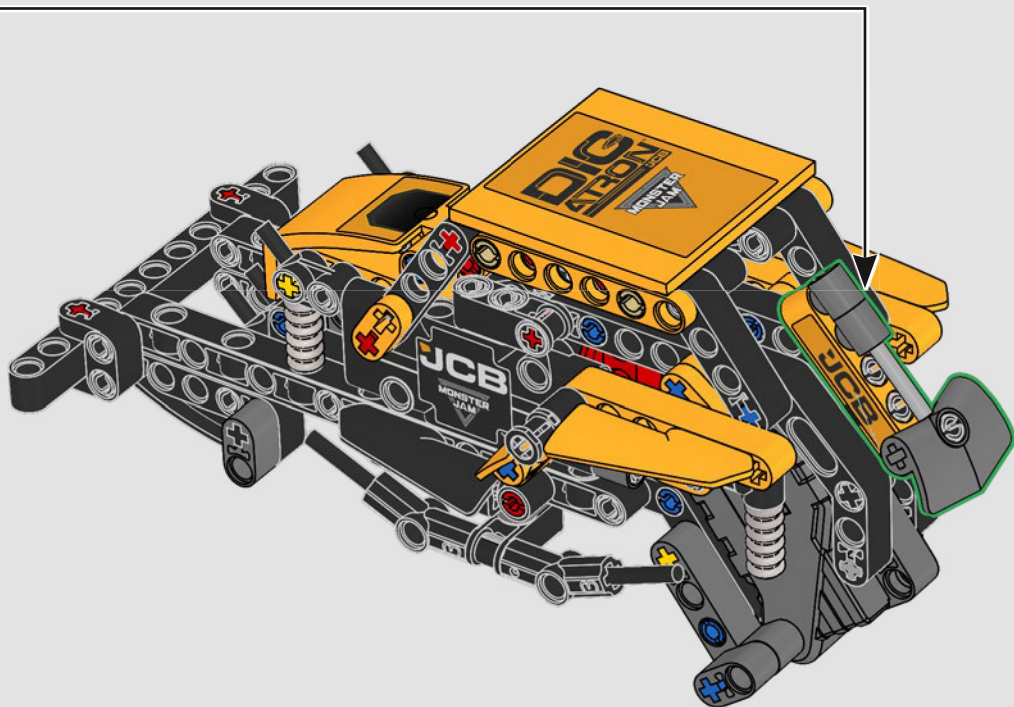


6



7







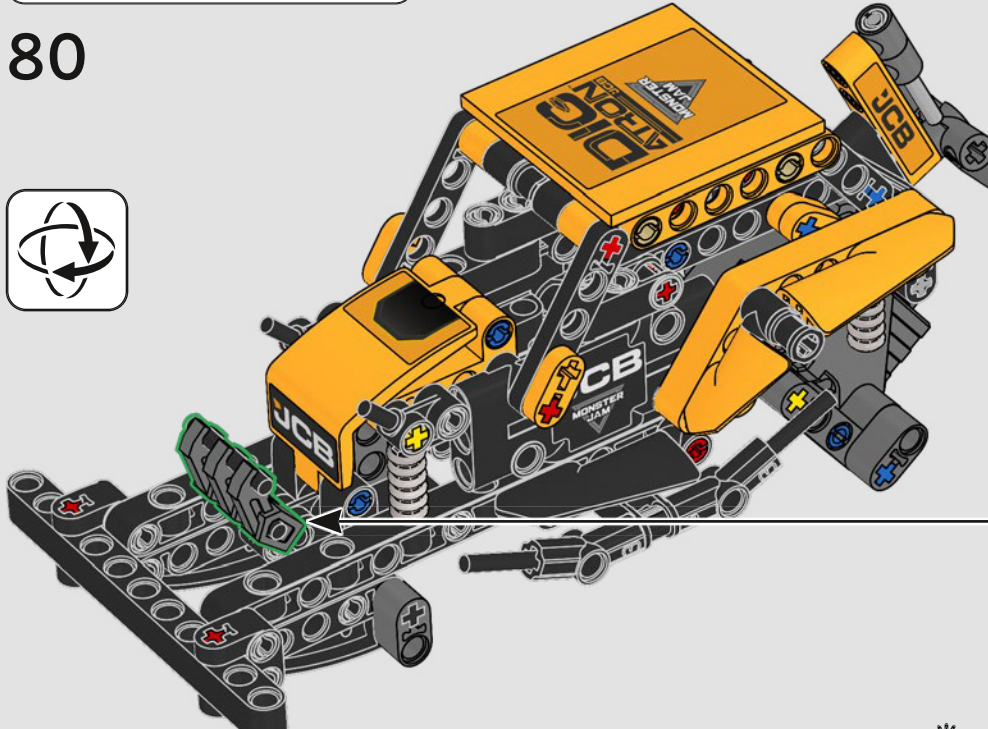
2x



3x



80



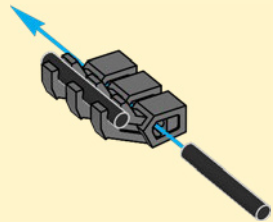
1



2



3



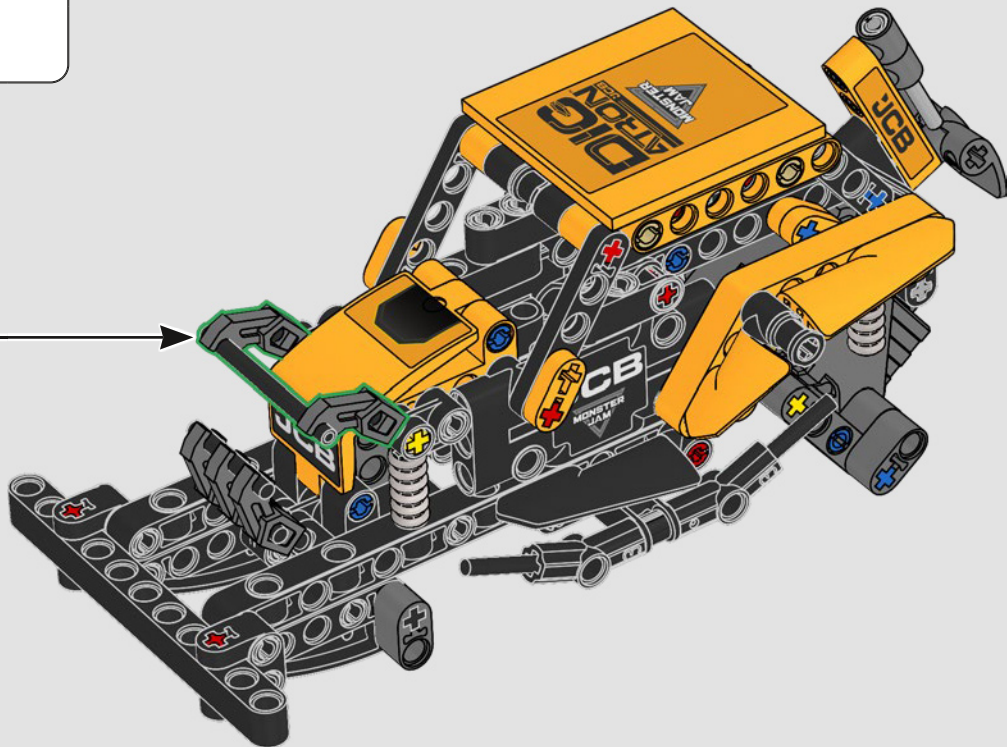
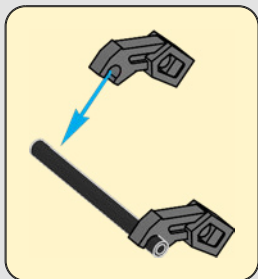


2x



1x

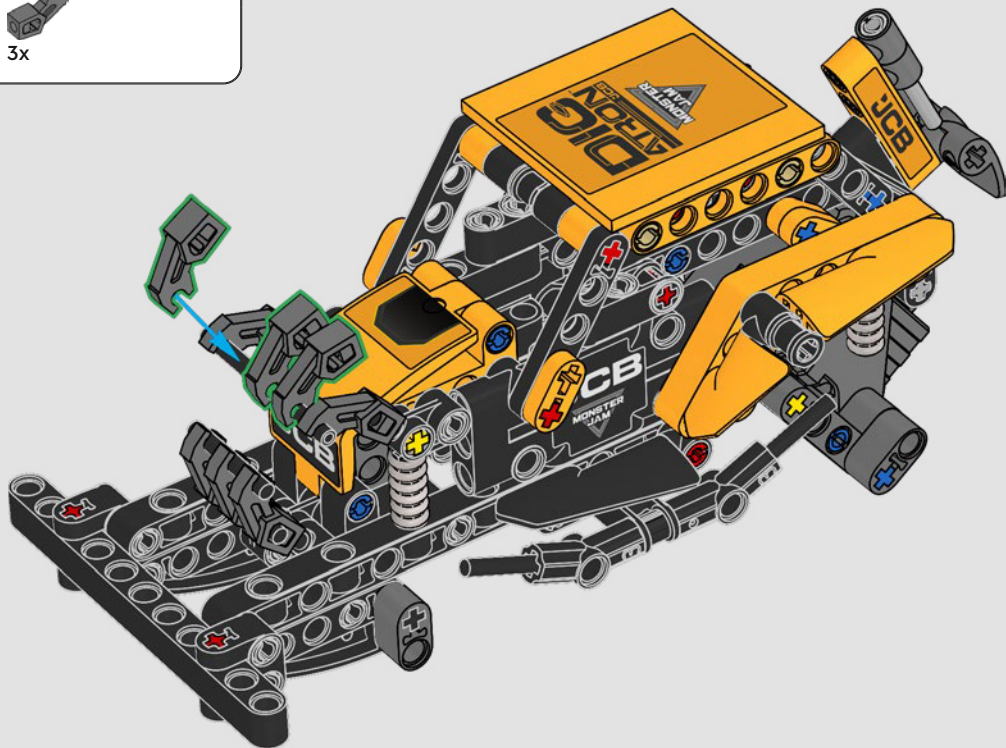
81





3x

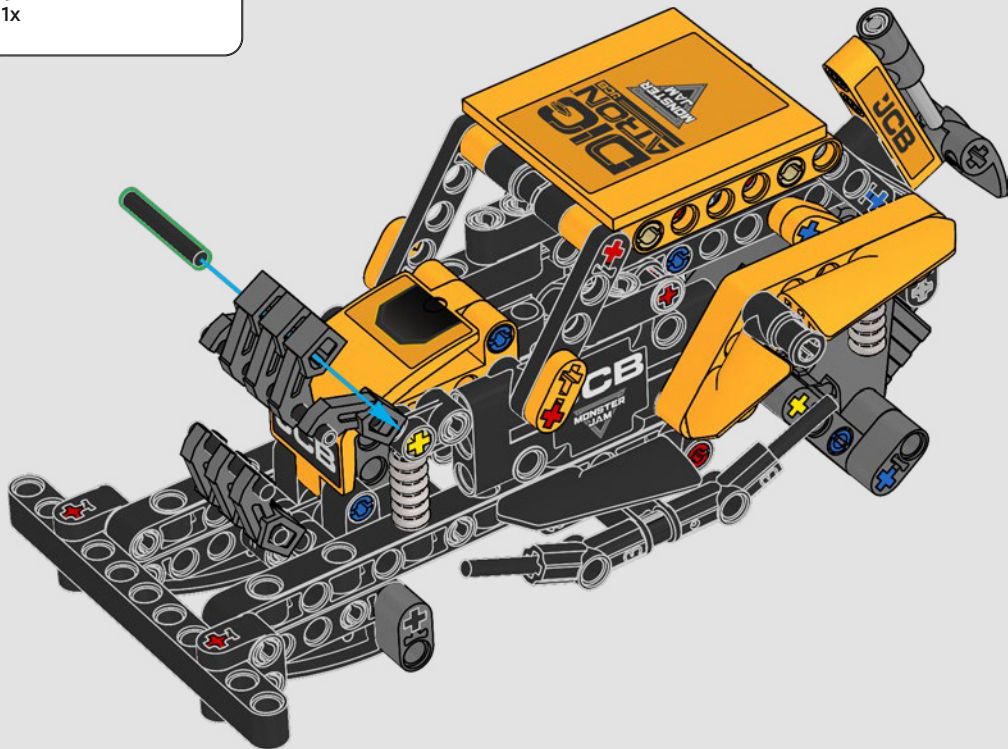
82



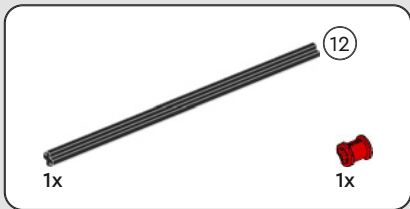
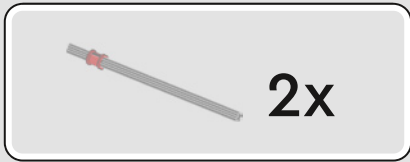


1x

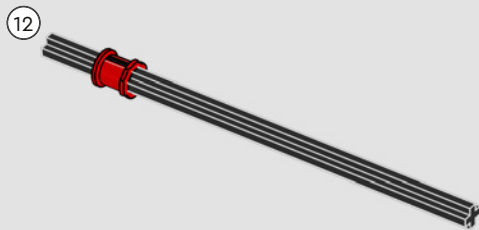
83



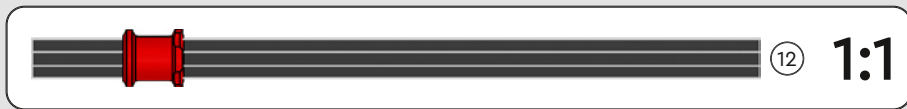
84

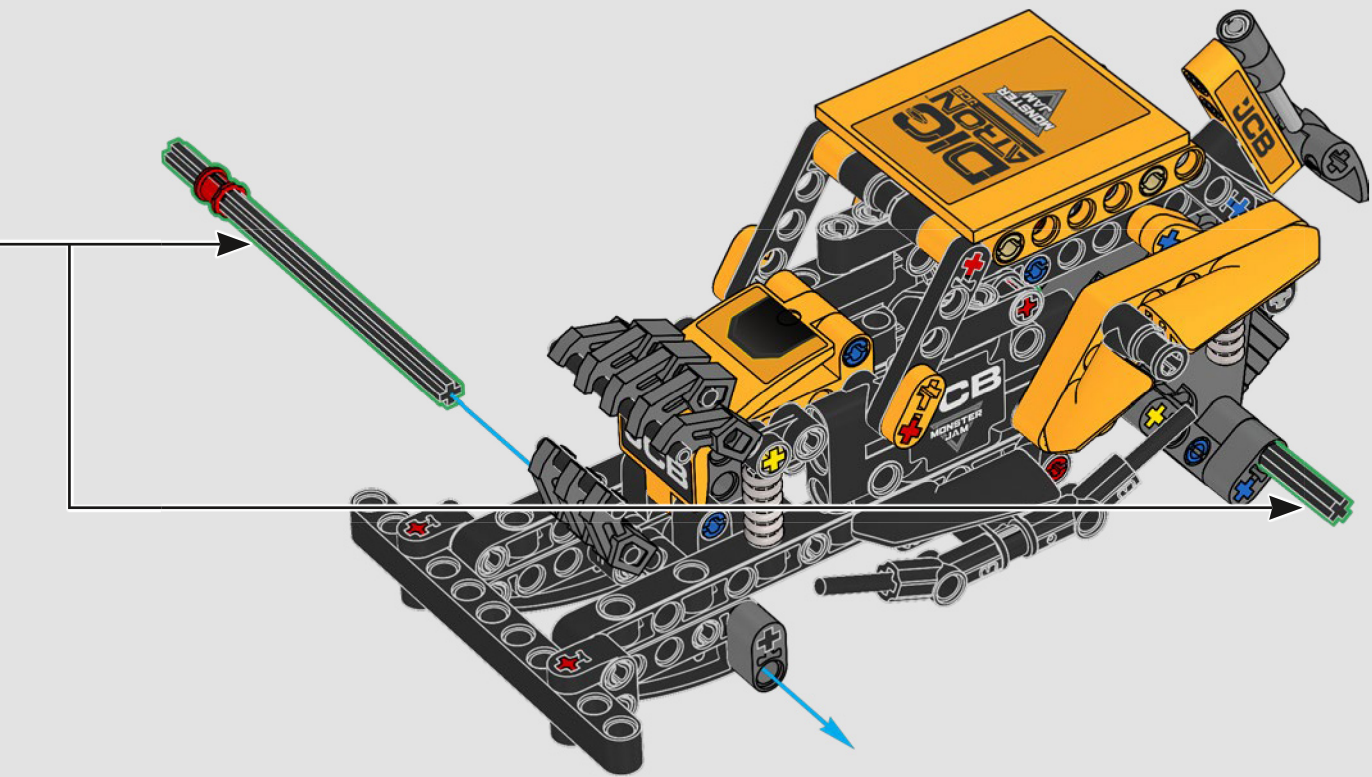


84



2x



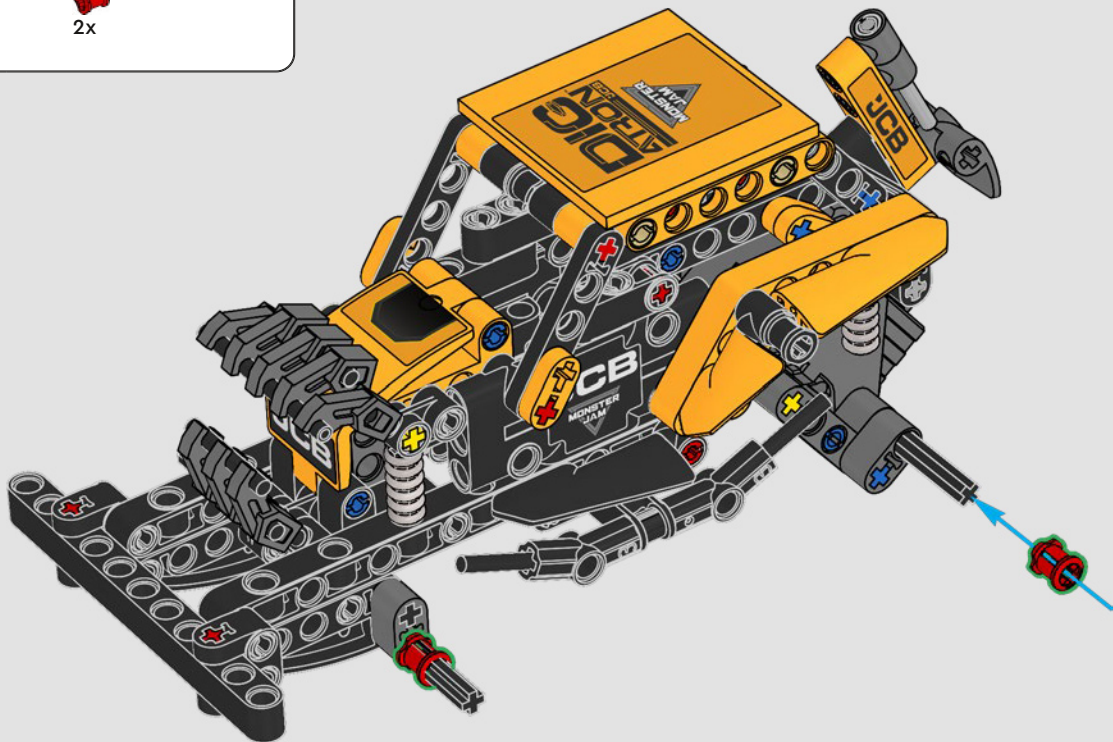


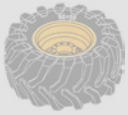




2x

85





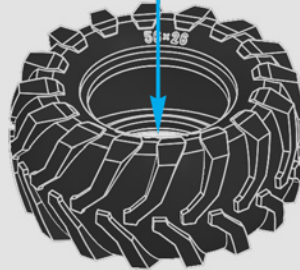
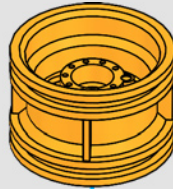
2x



1x



1x

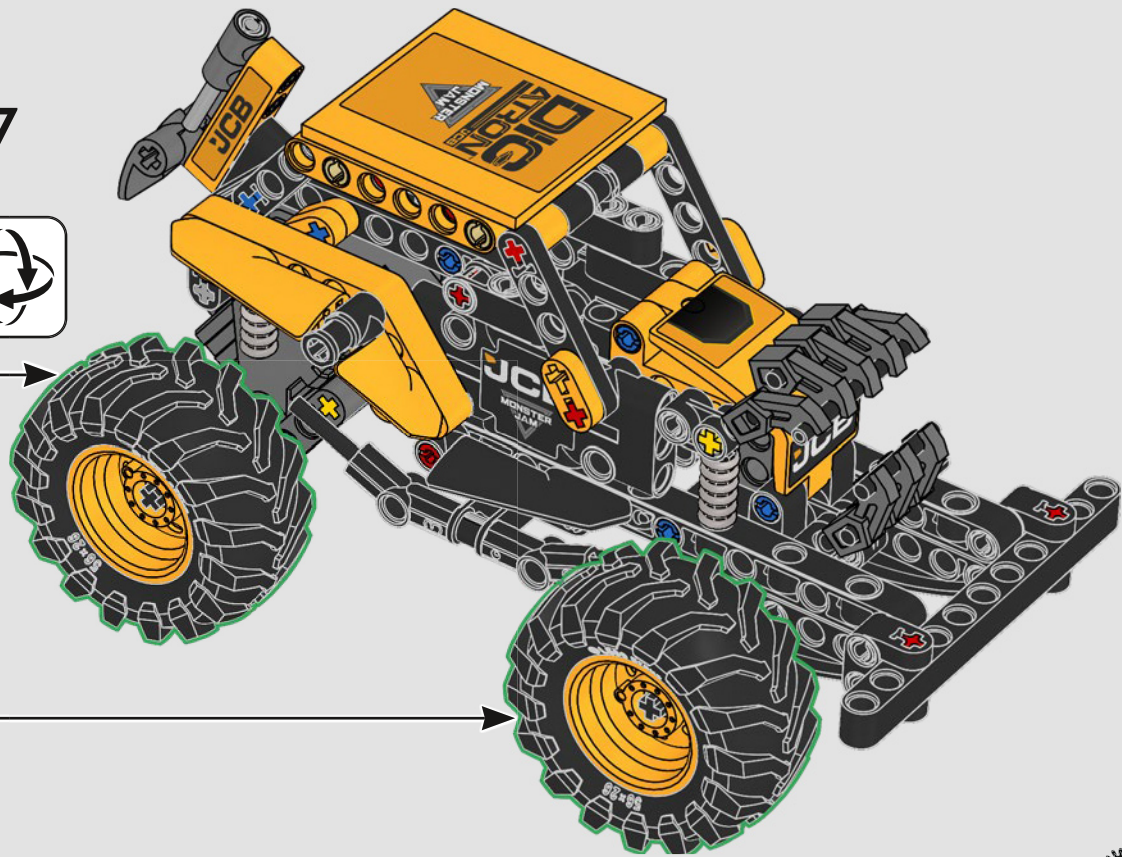


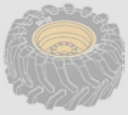
2x

86



87





2x

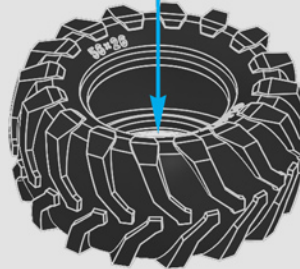
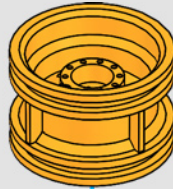


1x



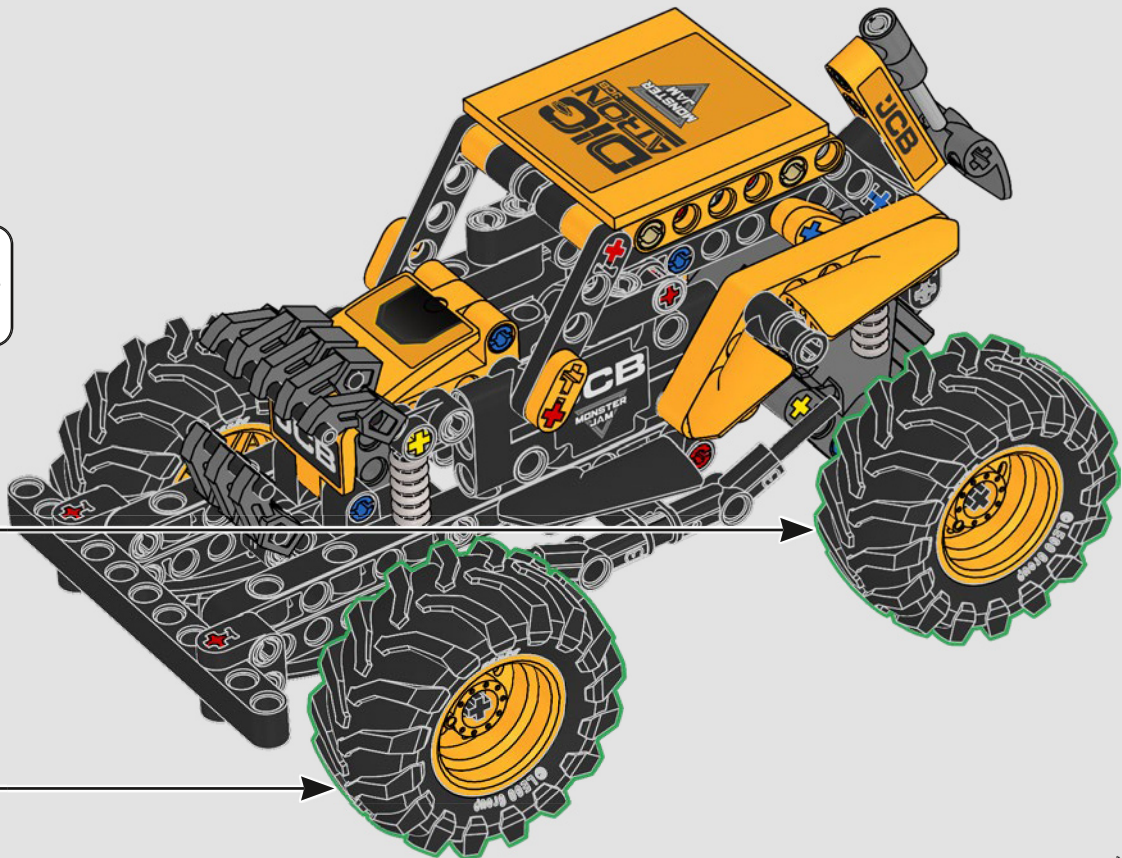
1x

88



2x

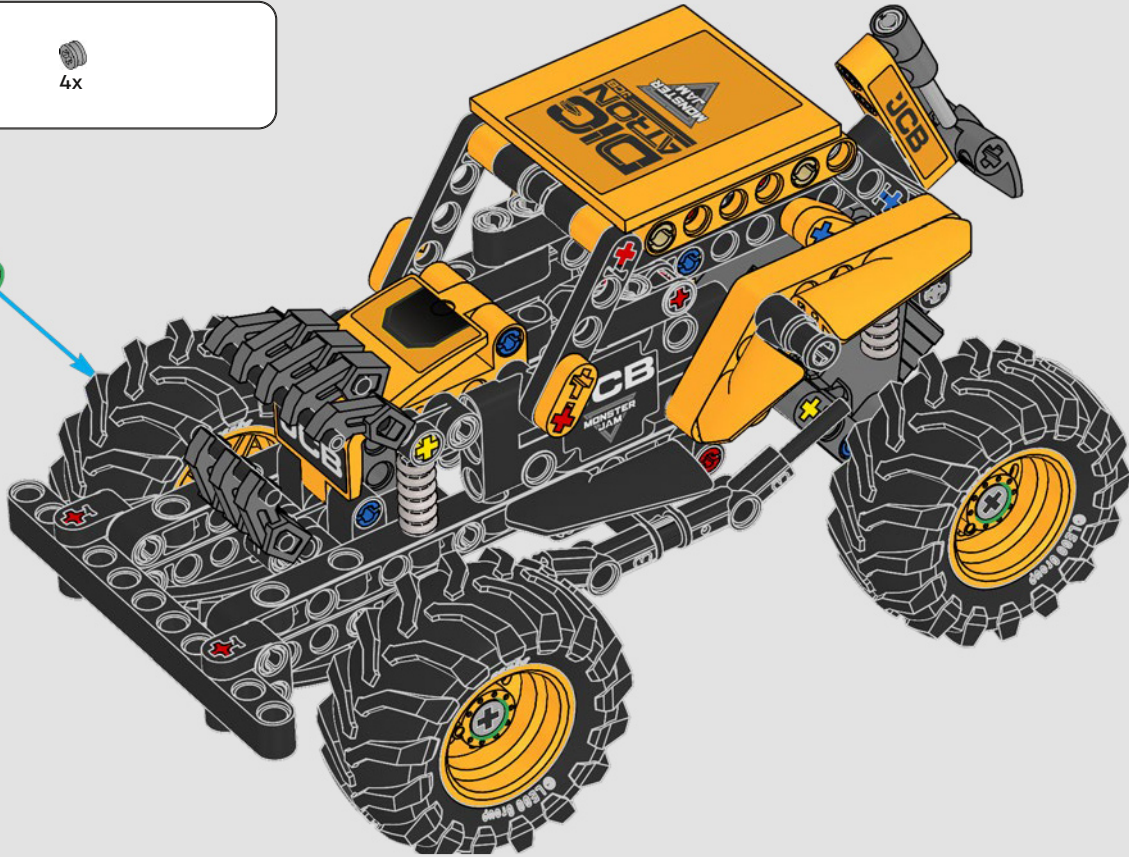
89



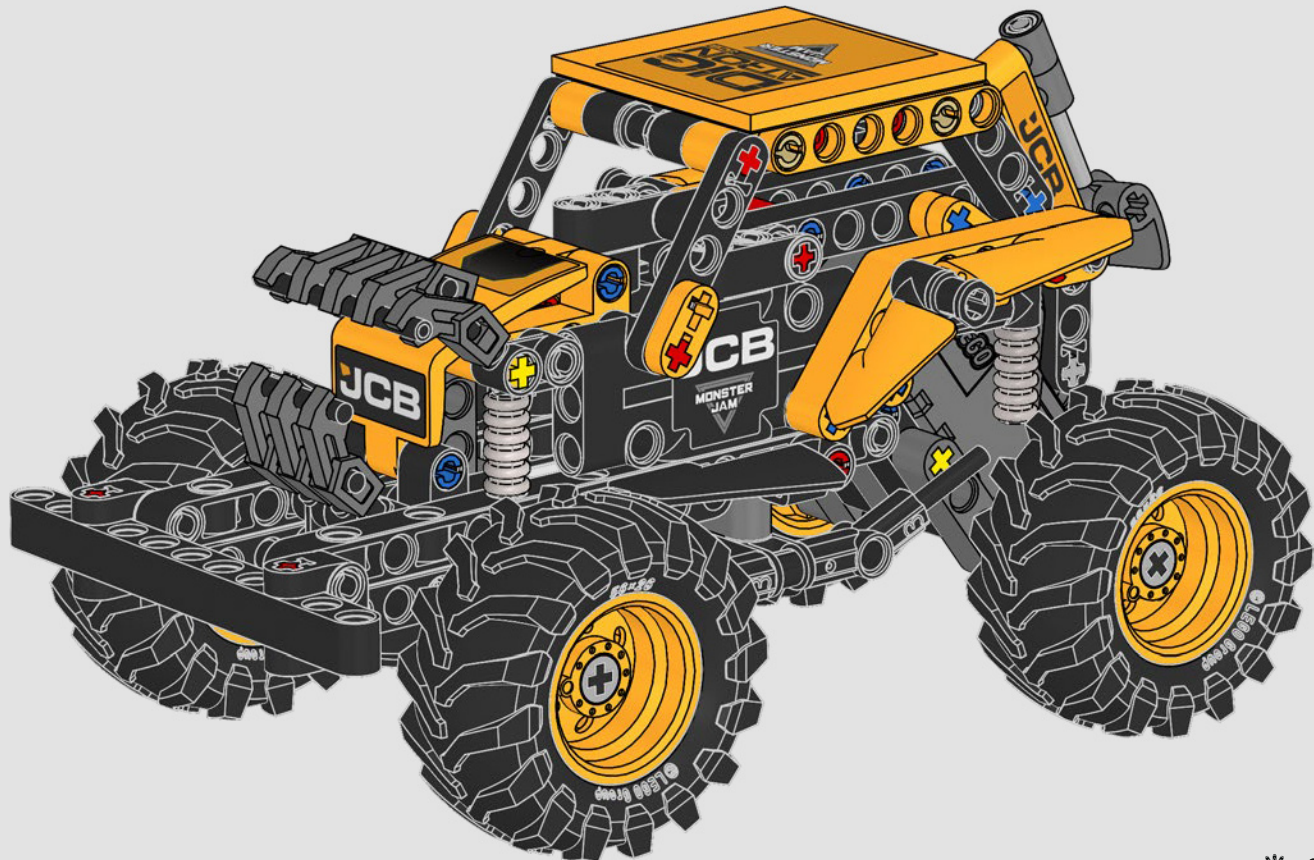


4x

90









# TECHNIC™

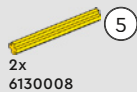
Rückziehmotor  
Rétrofriction  
Carga manual  
回力功能  
Napęd typu pull-back

Natahovací motor  
Náťahovací motor  
Hátrahúzó  
Motor cu resort  
Издърпване назад

Atvelkams  
Tagasitõmmatav  
Spyruoklinis  
mechanizmas



**PULL  
BACK**



2x  
6130008



4x  
6271820



6x  
6378120



4x  
4142865



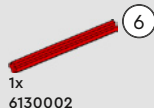
8x  
6209519



2x  
6347789



1x  
6407068



1x  
6130002



4x  
6013938



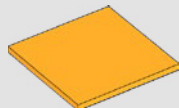
2x  
6476803



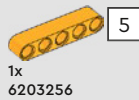
1x  
6302731



2x  
6476813



1x  
6525132



1x  
6203256



1x  
6143751



1x  
6389721



1x  
6513884



1x  
6476816



2x  
6418455



2x  
6411444



6x  
6476817



1x  
6511000



4x  
6528827



12x  
4206482



11x  
6299413



10x  
6089119



2x  
6321745



4x  
6261386



6x  
6253260



5x  
6173124



2x  
6286381



31x  
6279875



5x  
6273708



4x  
6325260



1x  
6319983



1x  
6432743



1x  
6316923



2x  
4552347



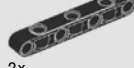
2x  
6407066



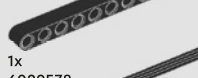
4x  
6278125



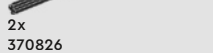
1x  
6332148



2x  
6435016



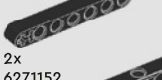
1x  
6029578



2x  
370826



7x  
6093525



2x  
6271152



2x  
6321716



2x  
6331935



2x  
6327028



2x  
6349281



4x  
6271165



3x  
4211815



1x  
6116608



8x  
6276870



2x  
6282144



1x  
6510093



3x  
6271830



1x  
4210686



6x  
6265093



4x  
6525133

 [LEGO.com/service](https://www.LEGO.com/service)



YOU COULD  
**WIN**



Scan this QR code or go to  
**LEGO.COM/PRODUCTFEEDBACK** and give us  
your short feedback about this LEGO® set for  
a chance to win a cool LEGO prize.

Terms and Conditions apply\*

**EN: YOU COULD WIN.** Terms and Conditions apply\* **DE: Du könntest GEWINNEN.** Es gelten die Teilnahmebedingungen\* **FR: Tu pourrais GAGNER.** Des conditions s'appliquent\* **IT: Potresti VINCERE tu.** Termini e condizioni sono applicabili\* **ES: Puedes GANAR.** Aplican términos y condiciones\* **PT: Poderá GANHAR.** Aplicam-se termos e condições\* **ZH: 轻松获奖. 条款和条件适用\*** **PL: Szansa na WYGRANĄ.** Obowiązują warunki korzystania\* **CS: Máte šanci VYHRÁT.** Platí všeobecné smluvní podmínky\* **SK: Máte šancu VYHRAŤ.** Platia všeobecné zmluvné podmienky\* **HU: TE IS NYERHETSZ.** Felhasználási feltételek érvényesek\* **RO: Ai putea CÂȘTIGA.** Se aplică termeni și condiții\* **BG: Можете да СПЕЧЕЛИТЕ.** Има определени правила и условия\* **LV: Tu vari LAIMĒT.** Ir spēkā noteikumi un nosacījumi.\* **ET: Sul on võimalus VÕITA.** Kehtivad tingimused\* **LT: Jūs galite LAIMĖTI.** Taikomos sąlygos\*

\*[LEGO.com/productfeedback-terms](https://www.lego.com/productfeedback-terms)

LEGO and the LEGO logo are trademarks of the LEGO Group. ©2025 The LEGO Group.

©2025 Feld Motor Sports, Inc. MONSTER JAM™, DIGatron™ Pull-Back, and all related logos and characters/designs are intellectual property of and used under license from Feld Motor Sports, Inc. All rights reserved. JCB™ LOGOS ARE TRADEMARKS OF JCB™ USED UNDER LICENSE.

6556967