



MORE INFORMATION



MANUALS



All materials are compatible with RoHS requirements.

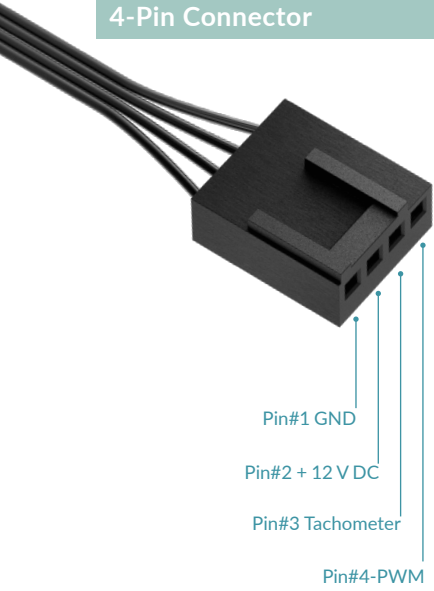


S12038-8K

120 mm 8k rpm Server Fan



4-Pin Connector



S12038-8K Specifications

General Specifications

Dimensions	120 (L) x 120 (W) x 38 (H) mm
Weight	328 g
Flammability UL 94	V-0
Operating Ambient Temperature	-10°C ~ 70°C
Warranty	6 Years

Fan Specifications

Speed	800-8000 rpm PWM controlled
Static Pressure	37 mmH ₂ O
Airflow	220 cfm 370 m ³ /h
Bearing	Dual Ball Bearing with Brass Housing
Cable Length	300 mm, Black
Connector	4-Pin Fan Connector
Current Voltage	2.2 A 12.0 V DC
Start-Up Voltage	6.5 V DC
Current (Maximum)	3.2 A
Motor Protection Features	Reverse Polarity Protection Over Voltage Protection Over Current Protection

S12038-8K Shipping Information

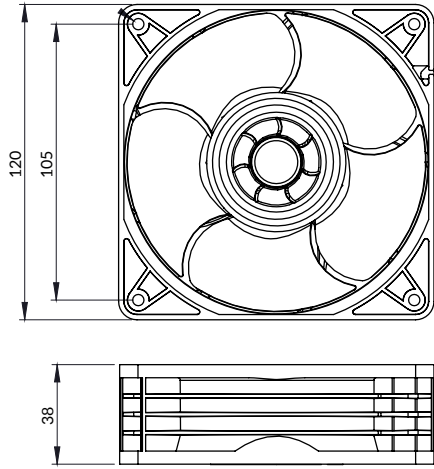
Single Fan

Package Content	S12038-8K x1 Mounting Screws x4 Impeller Sticker x1
Box Dimensions	125 (L) x 125 (W) x 43 (H) mm
Gross Weight	367 g
SKU	ACFAN00294A
EAN	4895213704762
UPC	840033402538

3 Pack

Package Content	S12038-8K x3 Mounting Screws x12 Impeller Sticker x3
Box Dimensions	137 (L) x 135 (W) x 135 (H) mm
Gross Weight	1108 g
SKU	ACFAN00302A
EAN	4895213704724
UPC	840033402491

Dimensions



S12038-8K

P/Q Curve

