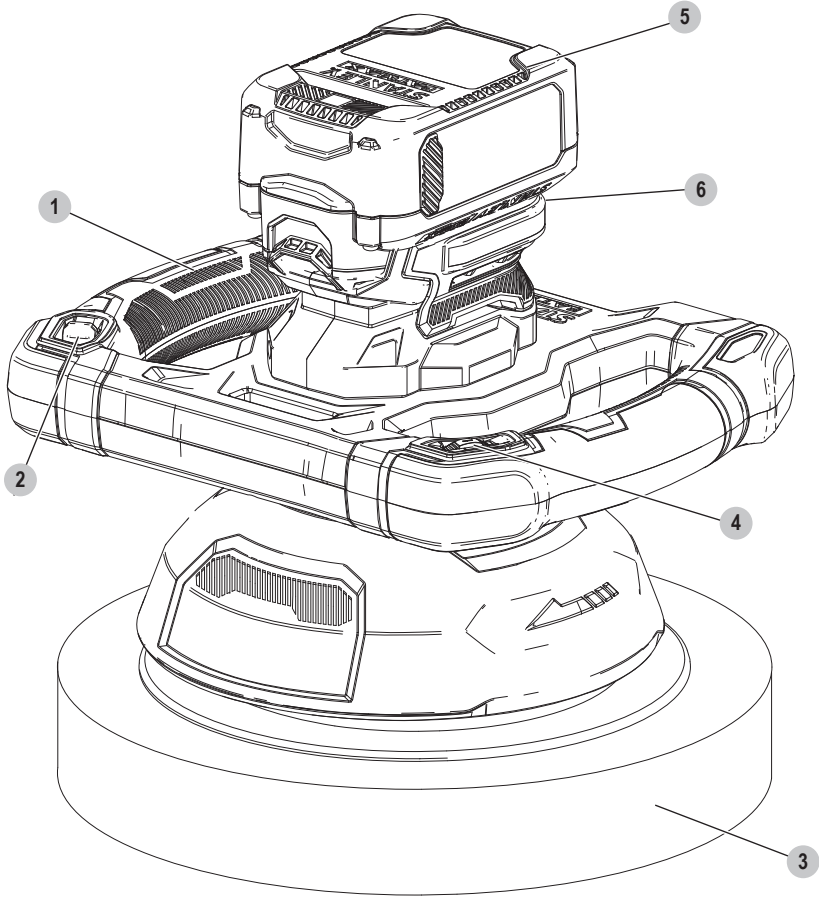


STANLEY
FATMAX

V20
LITHIUM ION



English (**original instructions**)

4

Русский (*перевод с оригинала инструкции*)

11

Українська (*переклад з оригінальної інструкції*)

21

Fig. A

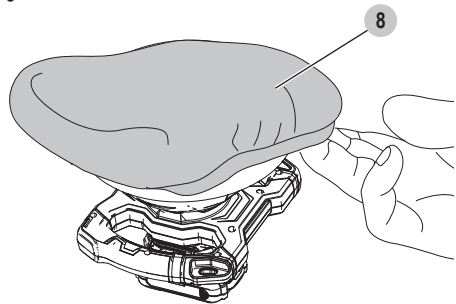


Fig. B

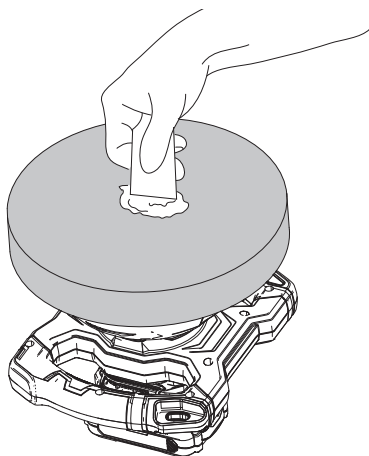


Fig. C

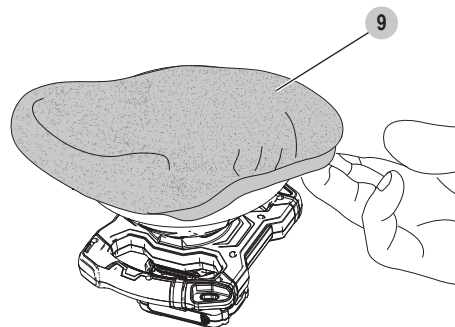


Fig. D

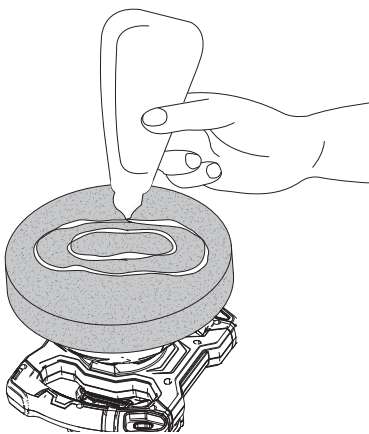


Fig. E

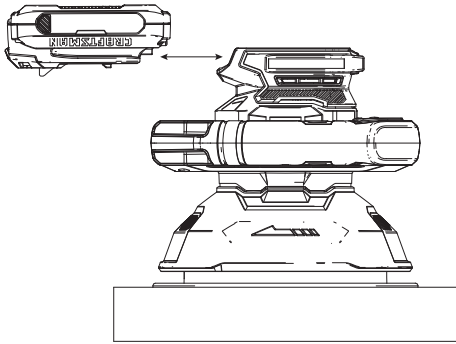


Fig. F

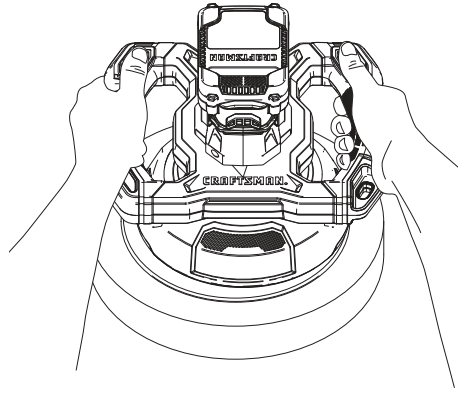
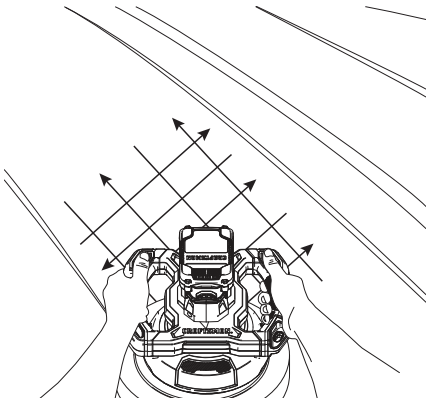


Fig. G



Intended use

Your STANLEY FATMAX SFMCE100 Polisher has been designed for buffing and polishing. This appliance is intended for professional and private, non professional users.

Safety instructions



Warning! Read all safety warnings, instructions, illustrations and specifications provided with this power tool. Failure to follow all instructions listed below may result in electric shock, fire and/or serious injury.

Save all warnings and instructions for future reference. The term "power tool" in the warnings refers to your mains-operated (corded) power tool or battery-operated (cordless) power tool.

1. Work area safety

- a. Keep work area clean and well lit. Cluttered or dark areas invite accidents.
- b. Do not operate power tools in explosive atmospheres, such as in the presence of flammable liquids, gases or dust. Power tools create sparks which may ignite the dust or fumes.
- c. Keep children and bystanders away while operating a power tool. Distractions can cause you to lose control.

2. Electrical safety

- a. Power tool plugs must match the outlet. Never modify the plug in any way. Do not use any adapter plugs with earthed (grounded) power tools. Unmodified plugs and matching outlets will reduce risk of electric shock.
- b. Avoid body contact with earthed or grounded surfaces such as pipes, radiators, ranges and refrigerators. There is an increased risk of electric shock if your body is earthed or grounded.
- c. Do not expose power tools to rain or wet conditions. Water entering a power tool will increase the risk of electric shock.
- d. Do not abuse the cord. Never use the cord for carrying, pulling or unplugging the power tool. Keep cord away from heat, oil, sharp edges or moving parts. Damaged or entangled cords increase the risk of electric shock.
- e. When operating a power tool outdoors, use an extension cord suitable for outdoor use. Use of a cord suitable for outdoor use reduces the risk of electric shock.
- f. If operating a power tool in a damp location is unavoidable, use a residual current device (RCD) protected supply. Use of an RCD reduces the risk of electric shock.

3. Personal safety

- a. Stay alert, watch what you are doing and use common sense when operating a power tool. Do not use a power tool while you are tired or under the influence of drugs, alcohol or medication. A moment of inattention while operating power tools may result in serious personal injury.
- b. Use personal protective equipment. Always wear eye protection. Protective equipment such as a dust mask, non-skid safety shoes, hard hat, or hearing protection used for appropriate conditions will reduce personal injuries.
- c. Prevent unintentional starting. Ensure the switch is in the off-position before connecting to power source and/or battery pack, picking up or carrying the tool. Carrying power tools with your finger on the switch or energising power tools that have the switch on invites accidents.
- d. Remove any adjusting key or wrench before turning the power tool on. A wrench or a key left attached to a rotating part of the power tool may result in personal injury.
- e. Do not overreach. Keep proper footing and balance at all times. This enables better control of the power tool in unexpected situations.
- f. Dress properly. Do not wear loose clothing or jewellery. Keep your hair and clothing away from moving parts. Loose clothes, jewellery or long hair can be caught in moving parts.
- g. If devices are provided for the connection of dust extraction and collection facilities, ensure these are connected and properly used. Use of dust collection can reduce dust-related hazards.
- h. Do not let familiarity gained from frequent use of tools allow you to become complacent and ignore tool safety principles. A careless action can cause severe injury within a fraction of a second.

4. Power tool use and care

- a. Do not force the power tool. Use the correct power tool for your application. The correct power tool will do the job better and safer at the rate for which it was designed.
- b. Do not use the power tool if the switch does not turn it on and off. Any power tool that cannot be controlled with the switch is dangerous and must be repaired.
- c. Disconnect the plug from the power source and/or remove the battery pack, if detachable, from the power tool before making any adjustments, changing accessories, or storing power tools. Such preventive safety measures reduce the risk of starting the power tool accidentally.

- d. Store idle power tools out of the reach of children and do not allow persons unfamiliar with the power tool or these instructions to operate the power tool. Power tools are dangerous in the hands of untrained users.
- e. Maintain power tools and accessories. Check for misalignment or binding of moving parts, breakage of parts and any other condition that may affect the power tools operation. If damaged, have the power tool repaired before use. Many accidents are caused by poorly maintained power tools.
- f. Keep cutting tools sharp and clean. Properly maintained cutting tools with sharp cutting edges are less likely to bind and are easier to control.
- g. Use the power tool, accessories and tool bits etc. in accordance with these instructions, taking into account the working conditions and the work to be performed. Use of the power tool for operations different from those intended could result in a hazardous situation.
- h. Keep handles and grasping surfaces dry, clean and free from oil and grease. Slippery handles and grasping surfaces do not allow for safe handling and control of the tool in unexpected situations.

5. Battery tool use and care

- a. Recharge only with the charger specified by the manufacturer. A charger that is suitable for one type of battery pack may create a risk of fire when used with another battery pack.
- b. Use power tools only with specifically designated battery packs. Use of any other battery packs may create a risk of injury and fire.
- c. When battery pack is not in use, keep it away from other metal objects, like paper clips, coins, keys, nails, screws, or other small metal objects, that can make a connection from one terminal to another. Shorting the battery terminals together may cause burns or a fire.
- d. Under abusive conditions, liquid may be ejected from the battery; avoid contact. If contact accidentally occurs, flush with water. If liquid contacts eyes, additionally seek medical help. Liquid ejected from the battery may cause irritation or burns.
- e. Do not use a battery pack or tool that is damaged or modified. Damaged or modified batteries may exhibit unpredictable behaviour resulting in fire, explosion or risk of injury.
- f. Do not expose a battery pack or tool to fire or excessive temperature. Exposure to fire or temperature above 130 °C may cause explosion.

- g. Follow all charging instructions and do not charge the battery pack or tool outside the temperature range specified in the instructions. Charging improperly or at temperatures outside the specified range may damage the battery and increase the risk of fire.

6. Service

- a. Have your power tool serviced by a qualified repair person using only identical replacement parts. This will ensure that the safety of the power tool is maintained.
- b. Never service damaged battery packs. Service of battery packs should only be performed by the manufacturer or authorized service providers.

Residual Risks

In spite of the application of the relevant safety regulations and the implementation of safety devices, certain residual risks cannot be avoided. These are:

- ◆ Impairment of hearing.
- ◆ Risk of personal injury due to flying particles.
- ◆ Risk of burns due to accessories becoming hot during operation.
- ◆ Risk of personal injury due to prolonged use.

Safety of others

- ◆ This tool is not intended for use by persons (including children) with reduced physical, sensory or mental capabilities, or lack of experience and knowledge, unless they have been given supervision or instruction concerning use of the tool by a person responsible for their safety.
- ◆ Children should be supervised to ensure that they do not play with the appliance.

Vibration

The declared vibration emission values stated in the technical data and the declaration of conformity have been measured in accordance with a standard test method provided by EN62841 and may be used for comparing one tool with another. The declared vibration emission value may also be used in a preliminary assessment of exposure.



Warning! The vibration emission value during actual use of the power tool can differ from the declared value depending on the ways in which the tool is used. The vibration level may increase above the level stated.

When assessing vibration exposure to determine safety measures required by 2002/44/EC to protect persons regularly using power tools in employment, an estimation of vibration exposure should consider, the actual conditions of use and the way the tool is used, including taking account of all parts of the operating cycle such as the times when the tool is switched off and when it is running idle in addition to the trigger time.

Labels on tool

The following symbols are shown on the tool along with the date code:



Warning! To reduce the risk of injury, the user must read the instruction manual.

Additional safety instructions for batteries and chargers

Batteries

- ◆ Never attempt to open for any reason.
- ◆ Do not expose the battery to water.
- ◆ Do not store in locations where the temperature may exceed 40 °C.
- ◆ Charge only at ambient temperatures between 10 °C and 40 °C.
- ◆ Charge only using the charger provided with the tool.
- ◆ When disposing of batteries, follow the instructions given in the section "Protecting the environment".

Chargers

- ◆ Use your Stanley Fatmax charger only to charge the battery in the tool with which it was supplied. Other batteries could burst, causing personal injury and damage.
- ◆ Never attempt to charge non-rechargeable batteries.
- ◆ Have defective cords replaced immediately.
- ◆ Do not expose the charger to water.
- ◆ Do not open the charger.
- ◆ Do not probe the charger.

Electrical safety



This charger is double insulated; therefore no earth wire is required. Always check that the power supply corresponds to the voltage on the rating plate.

- ◆ If the supply cord is damaged, it must be replaced by the manufacturer or an authorised Stanley Service Centre in order to avoid a hazard.

Features

1. Perimeter handle system
2. On/Off slide switch
3. Foam pad base
4. Speed dial
5. Battery
6. Battery release button

assembly and adjustments



Warning! To reduce the risk of serious personal injury, turn unit off and remove the battery pack before making any adjustments or removing/installing attachments or accessories. An accidental start-up can cause injury.

Attaching Woolen Wax Applicator Bonnet (Fig. A, B, D)



WARNING: If any parts are missing, DO NOT operate this buffer/polisher until the missing parts are replaced. Failure to do so could result in possible serious personal injury.

1. Attach the wax applicator bonnet (8) to the foam pad base (3) as shown in Fig. A. ALWAYS make sure the elastic strip on the bottom of the bonnet is securely tucked on the underside of the foam pad.
2. For paste wax, use a putty knife or any other flat object, apply paste wax to the bonnet by spreading a teaspoon of wax evenly over the entire surface of the wax applicator bonnet as shown in Fig. B.
Important: Do not apply wax directly on vehicle.
3. For liquid wax, apply three swirls of wax over applicator bonnet. This should be enough to cover 1/4 of vehicle surface as shown in Fig. D.
4. For the second, third, and fourth applications, only use about one half as much as on first application. The bonnet will not absorb as much wax on these applications.

Attaching Terry Cloth Polishing Bonnet (Fig. C, D)

1. Place the terry bonnet (9) on foam pad (3).
2. ALWAYS make sure that the elastic strip on the bottom of the bonnet is securely tucked on the underside of the foam pad.
3. Apply wax in a circular motion as shown in Fig. D.

OPERATION



Warning! To reduce the risk of serious personal injury, turn unit off and remove the battery pack before making any adjustments or removing/installing attachments or accessories. An accidental start-up can cause injury.

Installing and Removing the Battery Pack from the tool

To install battery pack (Fig. E)

- ◆ Insert battery pack (5) firmly into tool until an audible click is heard as shown in figure E. Ensure battery pack is fully seated and fully latched into position.

To remove battery pack (Fig. E)

- ◆ Depress the battery release button (6) as shown in figure E and pull battery pack out of tool.

Speed Dial

The speed dial (4) changes the speed of the polisher. Rotate the dial forward to increase the speed or backward to decrease the speed. 1 is the lowest setting and 3 is the highest setting.

Proper Hand Position (Fig. F)



Warning! To reduce the risk of serious personal injury, **ALWAYS** use proper hand position as shown.



Warning! To reduce the risk of serious personal injury, **ALWAYS** hold securely in anticipation of a sudden reaction.

Proper hand position requires both hands on the perimeter handle (1).

Waxing Vehicle (Fig. G)

1. Before you begin to wax, buff, and polish your vehicle, remove all road tar, excess grease spots and bug stains with a general-purpose cleaner. Dry your vehicle.
2. Place buffer/polisher against vehicle and turn buffer/polisher ON by sliding switch to On position. To avoid splashing wax, **ALWAYS** start and stop the buffer/polisher against the surface to be polished.
3. Begin buffing at a low speed and then turn up the speed using the speed dial (4).
4. Apply wax in a straight line with either a side-to-side or back and forth motion. **ALWAYS** use broad, even strokes when applying wax. Apply wax in a thin, even coat. Too much wax does not add any more protection and only makes the wax removal more difficult.
5. Apply wax to the flat surfaces (hood, trunk and roof) first. Wax one section at a time.
6. After flat surfaces are covered, wax the sides. It is easiest to apply the wax to the entire surface before starting the removal phase; however, follow the specific recommendations of the wax or polish being used.
7. When you have finished applying wax with the applicator, bonnet, **SHUT OFF** the buffer/polisher before removing from the vehicle's surface.

NOTE: DO NOT apply too much wax to the bonnet. Applying too much wax causes the bonnet to become saturated and it will not last as long. **THIS MAKES POLISHING MORE DIFFICULT AND IT TAKES LONGER.**

NOTE: If the bonnet is continually coming off the pad, you may be using too much wax.

NOTE: If buffing seems difficult, you have used too much wax.

IMPORTANT: DO NOT apply excessive pressure against the work surface with this tool. The random orbital motion feature on this tool will perform better when less pressure is applied. Applying excessive pressure will slow the random orbital motion and reduce the effectiveness of the tool.

IMPORTANT: Wax applicator bonnets should only be used once, then disposed of properly.

Buffing and Polishing

Ensure bonnet is clean and free of any loose particles or foreign objects that could be thrown or scratch finish

NOTE: You should use utmost care when power polishing around or over sharp objects and contours of the car

body. It is very important to use the correct pressure while polishing various sections of an automobile body. For example, light pressure should be applied when polishing over sharp edges of body panels, or over edges of the rain gutter along the top.

1. Wait until wax has dried to an even haze on vehicle.
2. Turn buffer/polisher ON.

IMPORTANT: DO NOT apply excessive pressure against the work surface with this tool. The random orbital motion feature on this tool will perform better when less pressure is applied. Applying excessive pressure will slow the random orbital motion and reduce the effectiveness of the tool.

NOTE: For best results, use long, sweeping strokes in a criss-cross pattern when removing wax.

3. Buff and polish the entire surface until all dried wax is removed. Remove the bonnet from time to time and shake out the dried wax residue. A bonnet with excess residue will cause streaking. You may need to replace the bonnet with a new one if you can't get it clean enough to avoid streaking.

NOTE: The high-speed rubbing action of the polishing bonnet upon the surface of an automobile can build a static charge on the metal portions of this tool. This can result in a sensation of a very short mild electric shock when the metal area of the tool is touched, and will be more noticeable on days when the humidity is low. This is a harmless phenomenon but you are invited to bring the tool to a service center where it can be checked to assure that no electrical malfunction is present.

Vehicle Care Tips

- Wash and polish the vehicle 3 to 4 times a year to help ensure paint protection.
- Wash the vehicle at least every 2 weeks with a vehicle wash solution which will not harm the finish or strip the wax. AVOID washing with household detergents.
- Wash with a clean sponge and dry with a terry cloth towel to help prevent dirt from scratching the paint. Start on the top and work down.
- Remove bugs, bird droppings, tree sap and tar from the vehicle's surface on a daily basis.
- **ALWAYS** make sure that the vehicle's surface is cool before washing.
- Avoid parking near sprinklers, because water spots are difficult to remove.
- **ALWAYS** keep glass cleaner chemicals away from painted surfaces. Spray the cleaner onto a towel, NOT directly on the windows.

Maintenance

Your tool has been designed to operate over a long period of time with a minimum of maintenance. Continuous satisfactory operation depends upon proper tool care and regular cleaning. Your charger does not require any maintenance apart from regular cleaning.



Warning! Before performing any maintenance on the tool, remove the battery from the tool. Unplug the charger before cleaning it.

- ♦ Regularly clean the ventilation slots in your tool and charger using a soft brush or dry cloth.
- ♦ Regularly clean the motor housing using a damp cloth. Do not use any abrasive or solvent-based cleaner.

Protecting the environment



Separate collection. Products and batteries marked with this symbol must not be disposed of with normal household waste.

Products and batteries contain materials that can be recovered or recycled, reducing demand for raw materials. Please recycle electrical products and batteries according to local provisions. Further information is available at www.2helpU.com

Technical data

SFMCCE100		
Voltage	V _{DC}	18V
RPM	min ⁻¹	2200-2800
Weight	kg	2.17

Charger		SFMCB11	SFMCB12	SFMCB14
Input Voltage	V _{AC}	230	230	230
Output Voltage	V _{DC}	18	18	18
Current	A	1.25	2	4

Battery		SFMCB201	SFMCB202	SFMCB204	SFMCB206
Voltage	V _{DC}	18	18	18	18
Capacity	Ah	1.5	2.0	4.0	6.0
Type		Li-Ion	Li-Ion	Li-Ion	Li-Ion

Level of sound pressure according to EN 62841:	
Sound pressure (L _{pa})	53 dB(A), uncertainty (K) 3 dB(A)
Sound power (L _{wa})	64 dB(A), uncertainty (K) 3 dB(A)

Vibration total values (triax vector sum) according to EN 62841:	
Vibration emission value (a _{h,v})	7.5 m/s ² , uncertainty (K) 1.5 m/s ²

EC Declaration of Conformity Machinery Directive



SFMCCE100 Polisher

Stanley declares that these products described under "technical data" are in compliance with:

2006/42/EC, EN62841-1:2015, EN62841-2-4:2014.

These products also comply with directives, 2014/30/EU and 2011/65/EU

For more information, please contact Stanley at the following address or refer to the back of the manual.

The undersigned is responsible for compilation of the technical file and makes this declaration on behalf of Stanley.

Patrick Diepenbach

Patrick Diepenbach
General Manager, Benelux
Stanley,
Egide Walschaertsstraat 14-18
2800 Mechelen, Belgium
15.05.2022

Declaration of Conformity The Supply of Machinery (Safety) Regulations 2008



SFMCCE100 Polisher

Stanley declares that these products described under "technical data" are in compliance with:

The Supply of Machinery (Safety) Regulations, 2008, S.I.

2008/1597 (as amended),

EN62841-1:2015, EN62841-2-4:2014.

These products also conform to the following UK Regulations:
Electromagnetic Compatibility Regulations, 2016,
S.I.2016/1091 (as amended).

The Restriction of the Use of Certain Hazardous Substances
in Electrical and Electronic Equipment Regulations 2012, S.I.
2012/3032 (as amended).

For more information, please contact Stanley at the following address or refer to the back of the manual.

The undersigned is responsible for compilation of the technical file and makes this declaration on behalf of Stanley.



Karl Evans
Vice President Professional Power Tools EANZ GTS UK,
270 Bath Road, Slough
BerkshireSL1 4DX
England
15.05.2022

Guarantee

Stanley is confident of the quality of its products and offers consumers a 24 month guarantee from the date of purchase. This guarantee is in addition to and in no way prejudices your statutory rights. The guarantee is valid within the territories of the Member States of the European Union, European Free Trade Area and United Kingdom.

To claim on the guarantee, the claim must be in accordance with Stanley Terms and Conditions and you will need to submit proof of purchase to the seller or an authorised repair agent. Terms and conditions of the Stanley 2 year guarantee and the location of your nearest authorised repair agent can be obtained on the Internet at www.2helpU.com, or by contacting your local Stanley office at the address indicated in this manual.

Please visit our website www.blackanddecker.co.uk to register your new Stanley product and receive updates on new products and special offers.

Назначение

Ваша полировальная машина STANLEY FATMAX SFMCE100 предназначена для выполнения работ по полировке. Данный инструмент предназначен как для профессионального использования, так и для бытового использования частными пользователями.

Правила техники безопасности

Общие правила безопасности при работе с электроинструментом



Внимание! Прочтите все правила техники безопасности, инструкции, иллюстрации и спецификации по данному электроинструменту. Несоблюдение всех приведенных ниже инструкций может стать причиной поражения электрическим током, возгорания и/или тяжелой травмы.

Сохраните все инструкции для последующего обращения к ним. Термин «электроинструмент» в предупреждениях относится к работающим от сети (проводным) электроинструментам или работающим от аккумулятора (беспроводным) электроинструментам.

1. Безопасность на рабочем месте

- Следите за чистотой и хорошим освещением на рабочем месте. Беспорядок или плохое освещение на рабочем месте могут стать причиной несчастного случая.
- Запрещается работать с электроинструментами во взрывоопасных местах, например, вблизи легковоспламеняющихся жидкостей, газов и пыли. Искры, которые появляются при работе электроинструментов могут привести к воспламенению пыли или паров.
- Следите за тем, чтобы во время работы с электроинструментом в зоне работы не было посторонних и детей. Отвлекаясь от работы вы можете потерять контроль над инструментом.

2. Электробезопасность

- Штепсельная вилка электроинструмента должна соответствовать розетке. Никогда не меняйте вилку инструмента. Запрещается использовать переходники к вилкам для электроинструментов с заземлением. Использование оригинальных штепсельных вилок, соответствующих типу сетевой розетки снижает риск поражения электрическим током.
- Избегайте контакта с заземленными поверхностями, такими как трубы, радиаторы и холодильники. Если вы будете заземлены, увеличивается риск поражения электрическим током.

- Запрещается оставлять электроинструмент под дождем и в местах повышенной влажности. При попадании воды в электроинструмент, риск поражения электрическим током возрастает.
- Берегите кабель от повреждений. Никогда не используйте кабель для переноски электроинструмента, не тяните за него, пытайтесь отключить инструмент от сети. Держите кабель подальше от источников тепла, масла, острых углов или движущихся предметов. Поврежденный или запутанный кабель питания повышает риск поражения электрическим током.
- При работе с электроинструментом в помещении необходимо пользоваться удлинителем, рассчитанным на эксплуатацию в соответствующих условиях. Использование кабеля питания, предназначенного для использования вне помещения, снижает риск поражения электрическим током.
- При необходимости работы с электроинструментом во влажной среде используйте источник питания, оборудованный устройством защитного отключения (УЗО). Использование УЗО снижает риск поражения электрическим током.

3. Обеспечение индивидуальной безопасности

- При работе с электроинструментами будьте внимательны, следите за тем, что вы делаете, и руководствуйтесь здравым смыслом. Не используйте электроинструмент, если вы устали, а также находясь под действием алкоголя, наркотических средств или лекарственных препаратов. Невнимательность при работе с электроинструментом может привести к серьезным травмам.
- Используйте средства индивидуальной защиты. Всегда надевайте защитные очки. Средства защиты, такие как пылезащитная маска, обувь с нескользящей подошвой, каска и защитные наушники, используемые при работе, уменьшают риск получения травм.
- Примите меры для предотвращения случайного включения. Перед тем как подключить электроинструмент к сети и/или аккумуляторной батарее, взять инструмент или перенести его в другое место, убедитесь в том, что выключатель находится в положении «Выкл.». Если при переноске электроинструмент оставлять подключенным

к сети электропитания, и при этом ваш палец будет находиться на выключателе, это может стать причиной несчастных случаев.

- d. Уберите все регулировочные или гаечные ключи перед включением электроинструмента. Ключ, оставленный на вращающейся части электроинструмента, может травмировать.
- e. Не пытайтесь дотянуться до слишком удаленных поверхностей. Всегда твердо стойте на ногах, сохраняя равновесие. Это позволит лучше контролировать электроинструмент в непредвиденных ситуациях.
- f. Одевайтесь соответствующим образом. Не носите свободную одежду и ювелирные украшения. Следите за тем, чтобы волосы и одежда не попадали под движущиеся детали. Возможно наматывание свободной одежды, ювелирных изделий и длинных волос на движущиеся детали.
- g. При наличии устройств для подключения оборудования для удаления и сбора пыли необходимо обеспечить правильность их подключения и эксплуатации. Использование устройства для пылеудаления сокращает риски, связанные с пылью.
- h. Не допускайте самонадеянности и игнорирования правил техники безопасности даже при большом опыте работы с инструментом. Небрежное действие может стать причиной серьезной травмы за долю секунды.

4. Эксплуатация электроинструмента и уход за ним

- a. Избегайте чрезмерной нагрузки электроинструмента. Используйте правильно подобранный электроинструмент для выполнения поставленной задачи. Правильно подобранный электроинструмент выполнит работу более эффективно и безопасно при той нагрузке, на которую он рассчитан.
- b. Не пользуйтесь инструментом, если не работает выключатель. Любой инструмент, управляемый выключением и включением которого невозможно, представляет опасность и подлежит ремонту.
- c. Перед любой регулировкой, сменой дополнительных принадлежностей или перед уборкой инструмента на хранение, отключите его от сети и/или снимите аккумуляторную

батарею, если ее можно снять. Такие меры предосторожности снижают риск случайного включения электроинструмента.

- d. Храните электроинструмент в недоступном для детей месте и не позволяйте работать с инструментом людям, не имеющим соответствующих навыков работы с такого рода инструментами. Электроинструмент представляет опасность в руках неопытных пользователей.
- e. Поддерживайте электроинструмент и дополнительные принадлежности в исправном состоянии. Проверьте движущиеся детали на точность совмещения или заклинивание, отсутствие поломок или каких-либо других условий, которые могут повлиять на эксплуатацию электроинструмента. В случае обнаружения повреждений, прежде чем приступить к эксплуатации электроинструмента, его следует отремонтировать. Большинство несчастных случаев происходит из-за электроинструментов, которые не обслуживаются должным образом.
- f. Следите за остротой заточки и чистотой режущих принадлежностей. Вероятность заклинивания инструмента, за которым следят должным образом и который хорошо заточен, значительно меньше, и работать с ним легче.
- g. Используйте данный электроинструмент, а также дополнительные принадлежности и насадки инструмента в соответствии с данными инструкциями и с учетом условий и специфики работы. Использование электроинструмента для выполнения операций, для которых он не предназначен, может привести к возникновению опасных ситуаций.
- h. Все рукоятки и поверхности захватывания должны быть сухими и без следов смазки. Скользкие рукоятки и поверхности захватывания не позволяют обеспечить безопасность работы и управления инструментом в непредвиденных ситуациях.

5. Использование аккумуляторных инструментов и уход за ними

- a. Используйте для зарядки аккумуляторной батареи только указанное производителем зарядное устройство. Использование зарядного устройства определенного типа для зарядки других батарей может привести к возгоранию.

- b. Используйте для электроинструмента только батареи указанного типа. Использование других аккумуляторных батарей может стать причиной травмы и пожара.
- c. Оберегайте батарею от попадания в нее скрепок, монет, ключей, гвоздей, болтов или других мелких металлических предметов, которые могут вызывать замыкание контактов. Короткое замыкание контактов аккумуляторной батареи может привести к пожару или ожогам.
- d. При повреждении аккумуляторной батареи, из нее может вытечь электролит. При случайном контакте с электролитом смойте его водой. При попадании электролита в глаза обратитесь за медицинской помощью. Жидкость, находящаяся внутри аккумуляторной батареи, может вызвать раздражение или ожоги.
- e. Не используйте поврежденные или измененные аккумуляторные батареи или инструменты. Поврежденные или измененные аккумуляторные батареи могут работать непредсказуемо, что может привести к возгоранию, взрыву или риску получения травм.
- f. Не подвергайте аккумуляторные батареи или инструмент воздействию огня или повышенной температуры. Воздействие открытого огня или нагрев выше 130 °C может привести к взрыву.
- g. Следуйте всем инструкциям по зарядке и не заряжайте аккумуляторную батарею или инструмент вне температурного диапазона, указанного в инструкции. Неправильная зарядка или зарядка вне указанного температурного диапазона может привести к повреждению батареи и увеличить риск возгорания.

6. Сервисное обслуживание

- a. Обслуживание электроинструмента должно выполняться только квалифицированным техническим персоналом. Это позволит обеспечить безопасность обслуживаемого инструмента.
- b. Не выполняйте обслуживание поврежденных аккумуляторных батарей. Обслуживание аккумуляторных батарей должно выполняться только производителем или авторизованными поставщиками услуг.

Остаточные риски

Следующие риски являются характерными при использовании пил:

- ♦ Травмы, полученные в результате касания вращающихся частей.

Несмотря на соблюдение соответствующих инструкций по технике безопасности и использование предохранительных устройств, некоторые остаточные риски невозможно полностью исключить. А именно:

- ♦ Ухудшение слуха.
- ♦ Риск несчастных случаев, вызванных незакрытыми частями вращающегося пильного диска.
- ♦ Риск получения травмы при смене диска.
- ♦ Риск защемления пальцев при снятии защитного кожуха.
- ♦ Ущерб здоровью в результате вдыхания пыли от распила древесины, в особенности, дуба, бука и ДВП.

Безопасность окружающих

- ♦ Данный инструмент не предназначен для использования лицами (включая детей) с ограниченными физическими, сенсорными или ментальными возможностями, а также лицами без достаточного опыта и знаний, если только они не делают этого под руководством лица имеющего соответствующий опыт и отвечающего за их безопасность.
- ♦ Не позволяйте детям играть с данным инструментом.

Вибрация

Значения уровня вибрации, указанные в технических характеристиках инструмента и декларации соответствия, были измерены в соответствии со стандартным методом определения вибрационного воздействия согласно EN62841 и могут использоваться при сравнении характеристик различных инструментов. Приведенные значения уровня вибрации могут также использоваться для предварительной оценки величины вибрационного воздействия.



Внимание! Значения вибрационного воздействия при работе с электроинструментом зависят от вида работ, выполняемых данным инструментом, и могут отличаться от заявленных значений. Уровень вибрации может быть выше заявленного.

При оценке уровня вибрации для определения меры безопасности, предусмотренного 2002/44/ЕС для защиты людей, регулярно пользующихся электроинструментом при работе, нужно принимать во внимание уровень вибрации, реальные условия использования и способ использования инструмента, а также учитывать все этапы цикла работы – когда инструмент выключается, когда он работает на холостом ходу, а также время переключения с одного режима на другой.

Условные обозначения на инструменте

Помимо кода даты на инструменте имеются следующие знаки:



Внимание! Во избежание риска получения травм прочтите руководство по эксплуатации.

Дополнительные правила техники безопасности при работе с аккумуляторными батареями и зарядными устройствами

Аккумуляторные батареи

- ♦ Никогда не пытайтесь разбирать аккумуляторные батареи.
- ♦ Не подвергайте аккумуляторные батареи воздействию воды.
- ♦ Не оставляйте батареи в местах, где температура превышает 40 °С.
- ♦ Заряжайте батареи только при температуре от 10 °С до 40 °С.
- ♦ Заряжайте аккумуляторные батареи только с зарядным устройством, которое прилагается к инструменту.
- ♦ При утилизации батарей следуйте инструкциям, указанным в разделе «Защита окружающей среды».

Зарядные устройства

- ♦ Используйте зарядное устройство Stanley Fatmax только для зарядки аккумуляторной батареи того инструмента, с которым оно поставлялось. Аккумуляторные батареи других марок могут взорваться, что приведет к получению травмы или повреждению.
- ♦ Не пытайтесь заряжать одноразовые батареи.
- ♦ Немедленно заменяйте поврежденный кабель питания.
- ♦ Не подвергайте зарядное устройство воздействию воды.
- ♦ Не вскрывайте зарядное устройство.
- ♦ Не разбирайте зарядное устройство.

Электробезопасность



Данное зарядное устройство имеет двойную изоляцию, поэтому заземление не требуется. Необходимо обязательно убедиться в том, что напряжение источника питания соответствует указанному на паспортной табличке.

- ♦ При повреждении кабеля питания, во избежание рисков, замените его у производителя или в авторизованном сервисном центре Stanley.

Составные части

1. Система рукояток по периметру
2. Передвижной пусковой выключатель
3. Основание из пеноматериала
4. Диск с регулятором скорости
5. Аккумуляторная батарея

6. Отпирающая кнопка батареи

Сборка и регулировка



Внимание! Чтобы снизить риск получения серьезной травмы, выключайте инструмент и извлекайте аккумуляторную батарею перед выполнением какой-либо регулировки или снятием/установкой насадок или дополнительных принадлежностей. Случайный запуск может привести к травме.

Установка шерстяной насадки для нанесения воска (Рис. А, В, D)



ВНИМАНИЕ: Если какая-либо часть отсутствует, НЕ ИСПОЛЗУЙТЕ данную полировальную машину, пока недостающие части не будут заменены. Несоблюдение данного требования может привести к получению тяжелой травмы.

1. Установите насадку для нанесения воска (8) на основание из пеноматериала (3), как показано на Рис. А. ВСЕГДА следите за тем, чтобы эластичная лента в нижней части насадки была надежно прижата к обратной стороне основания из пеноматериала.
2. Для пастообразного воска используйте шпатель или любой другой плоский предмет, нанесите пастообразный воск на насадку, равномерно распределив чайную ложку воска по всей поверхности насадки для нанесения воска, как показано на Рис. В. **Важно:** Не наносите воск непосредственно на автомобиль.
3. При использовании жидкого воска нанесите три завитка воска на насадку для нанесения воска. Этого должно быть достаточно, чтобы покрыть 1/4 поверхности автомобиля, как показано на Рис. D.
4. Для второго, третьего и четвертого нанесения используйте только половину того количества, которое требуется для первого нанесения. При нанесении насадка не впитает много воска.

Установка полировальной насадки из махровой ткани (Рис. С, D)

1. Поместите насадку из махровой ткани (9) на основание из пеноматериала (3).
2. ВСЕГДА следите за тем, чтобы эластичная лента в нижней части насадки была надежно прижата к обратной стороне основания из пеноматериала.
3. Наносите воск круговыми движениями, как показано на Рис. D.

ЭКСПЛУАТАЦИЯ



Внимание! Чтобы снизить риск получения серьезной травмы, необходимо выключить инструмент и извлечь батарею, прежде чем выполнять какую-либо регулировку или

снимать/устанавливать какие-либо насадки или дополнительные принадлежности. Случайный запуск может привести к получению травмы.

Установка и извлечение аккумуляторной батареи из инструмента

Установка батареи (Рис. Е)

- ♦ Вставьте аккумуляторную батарею (5) в инструмент до слышимого щелчка, как показано на Рис. Е. Убедитесь в том, что аккумуляторная батарея правильно и плотно установлена в зарядном устройстве.

Извлечение батареи (Рис. Е)

- ♦ Нажмите на отпирающую кнопку батареи (6), как показано на Рис. Е и извлеките аккумуляторную батарею из инструмента.

Дисковой регулятор скорости

Дисковой регулятор скорости (4) изменяет скорость полировальной машины. Чтобы увеличить скорость, поверните регулятор вперед; чтобы снизить скорость, поверните регулятор назад. «1» - самая низкая скорость; «3» - самая высокая скорость.

Правильное положение рук во время работы (Рис. F)



Внимание! Во избежание получения серьезных травм, **ВСЕГДА** правильно держите инструмент, как показано на рисунке.



Внимание! Для снижения риска получения тяжелой травмы, **ВСЕГДА** надежно удерживайте инструмент, предупреждая внезапные сбои в работе.

При правильном положении рук обе руки находятся на рукоятках (1).

Воскирование автомобиля (Рис. G)

1. Прежде чем вы начнете наносить воск и полировать свой автомобиль, удалите всю дорожную смолу, пятна жира и пятна от насекомых с помощью универсального чистящего средства. Высушите автомобиль.
2. Поместите полировальную машину на поверхность кузова автомобиля и включите ее, переведя переключатель в положение «Вкл.». Во избежание разбрызгивания воска **ВСЕГДА** запускайте и останавливайте полировальную машину на поверхности, которую необходимо отполировать.
3. Начните полировать на низкой скорости, а затем увеличьте скорость с помощью регулятора скорости (4).

4. Наносите воск по прямой линии движениями из стороны в сторону или вперед-назад. **ВСЕГДА** используйте широкие, ровные мазки при нанесении воска. Наносите воск тонким равномерным слоем. Слишком много воска не добавляет дополнительной защиты, а только затрудняет удаление воска.
5. Сначала нанесите воск на плоские поверхности (капот, багажник и крышу). Вошите по одной секции за раз.
6. После покрытия плоских поверхностей нанесите воск на боковые части. Проще всего нанести воск на всю поверхность перед началом этапа удаления; тем не менее, следуйте конкретным рекомендациям по использованию воска или полироли.
7. Когда вы закончите нанесение воска с помощью насадки для нанесения воска, **ВЫКЛЮЧИТЕ** полировальную машину, прежде чем снимать ее с поверхности автомобиля.

ПРИМЕЧАНИЕ: НЕ НАНОСИТЕ слишком много воска на насадку. Нанесение слишком большого количества воска приводит к тому, что насадка пропитывается воском, и она не прослужит долго. ЭТО ДЕЛАЕТ ПРОЦЕСС ПОЛИРОВКИ БОЛЕЕ СЛОЖНЫМ И ЗАНИМАЕТ БОЛЬШЕ ВРЕМЕНИ.

ПРИМЕЧАНИЕ: Если насадка постоянно отходит от основания, возможно, вы используете слишком много воска.

ПРИМЕЧАНИЕ: Если полировка кажется сложной, вы использовали слишком много воска.

ВАЖНО: НЕ ПРИМЕНЯЙТЕ чрезмерное давление на рабочую поверхность этим инструментом. Функция случайного орбитального движения на этом инструменте будет работать лучше, когда приложено меньшее давление. Применение чрезмерного давления замедлит случайное орбитальное движение и снизит эффективность инструмента.

ВАЖНО: Насадки для нанесения воска следует использовать только один раз, а затем утилизировать надлежащим образом.

Полировка

Убедитесь, что насадка чистая и на ней нет свободных частиц или посторонних предметов, которые могут быть отброшены или поцарапать поверхность

ПРИМЕЧАНИЕ: Вы должны быть предельно осторожны при полировке вокруг или над острыми предметами и контурами кузова автомобиля.

Очень важно равномерно распределять давление во время полирования разных частей кузова автомобиля. Например, во время полировки острых кромок панелей кузова или по краям водостоков в верхней части кузова следует применять легкое давление.

1. Подождите, пока воск не высохнет до образования ровного матового покрытия на автомобиле.
2. Включите полировальную машину.

ВАЖНО: НЕ ПРИМЕНЯЙТЕ чрезмерное давление на рабочую поверхность этим инструментом. Функция случайного орбитального движения на этом инструменте будет работать лучше, когда приложено меньшее давление. Применение чрезмерного давления замедлит случайное орбитальное движение и снизит эффективность инструмента.

ПРИМЕЧАНИЕ: Для достижения наилучших результатов при удалении воска используйте длинные широкие движения крест-накрест.

3. Полируйте всю поверхность до полного удаления засохшего воска. Время от времени снимайте насадку и встряхивайте засохшие остатки воска. Насадка с избыточным остатком воска вызовет образование разводов на поверхности. Возможно, вам придется заменить насадку на новую, если ее невозможно полностью очистить, чтобы избежать разводов.

ПРИМЕЧАНИЕ: Высокоскоростное трение полировальной насадки по поверхности автомобиля может создавать статический заряд на металлических частях инструмента. Это может привести к ощущению очень короткого и слабого электрического удара при прикосновении к металлической поверхности инструмента, и оно будет более заметным в дни, когда влажность низкая. Это безопасное явление, но мы рекомендуем вам отнести инструмент в сервисный центр на проверку, чтобы убедиться в отсутствии электрических неисправностей.

Советы по уходу за автомобилем

- Мойте и полируйте автомобиль 3–4 раза в год, чтобы обеспечить защиту лакокрасочного покрытия.
- Мойте автомобиль не реже одного раза в 2 недели раствором для мойки автомобилей, который не повредит отделку и не удалит воск. **ИЗБЕГАЙТЕ** мойки бытовыми моющими средствами.
- Вымойте чистой губкой и высушите махровой тканью, чтобы предотвратить появление царапин на краске. Начните сверху и работайте вниз.
- Ежедневно удаляйте следы насекомых, птичий помет, древесную смолу и деготь с поверхности автомобиля.
- **ВСЕГДА** перед мойкой убеждайтесь, что поверхность автомобиля остыла.
- Избегайте парковки возле разбрызгивателей, потому что пятна воды трудно удалить.
- **ВСЕГДА** храните химикаты для чистки стекол вдали от окрашенных поверхностей. Распыляйте чистящее средство на полотенце, а НЕ непосредственно на стекло.

Техническое обслуживание

Ваш инструмент имеет длительный срок эксплуатации и требует минимальных затрат на техническое обслуживание. Для длительной безотказной работы необходимо обеспечить правильный уход за инструментом и его регулярную чистку.

Зарядное устройство не требует никакого обслуживания кроме регулярной чистки.



Внимание! Перед выполнением любых работ по обслуживанию инструмента извлекайте из него аккумуляторную батарею. Перед чисткой зарядного устройства отключите его от источника питания.

- ♦ Регулярно очищайте вентиляционные отверстия инструмента и зарядного устройства мягкой щеткой или сухой тканевой салфеткой.
- ♦ Регулярно очищайте корпус двигателя влажной салфеткой. Не используйте никакие абразивные чистящие средства или средства на основе растворителей.

Защита окружающей среды



Раздельная утилизация. Изделия и аккумуляторные батареи с данным символом на маркировке запрещается утилизировать с обычными бытовыми отходами.

Изделия и аккумуляторные батареи содержат материалы, которые могут быть извлечены или переработаны, снижая потребность в исходном сырье.

Пожалуйста, утилизируйте электрические изделия и аккумуляторные батареи в соответствии с местными нормами. Дополнительная информация доступна по адресу www.2helpU.com

Технические характеристики

SFMCE100		
Напряжение	Впост. тока	18 В
Скорость вращения	мин ⁻¹	2200–2800
Вес	кг	2,17

Зарядное устройство		SFMCB11	SFMCB12	SFMCB14
Входное напряжение	В перем. тока	230	230	230
Выходное напряжение	В пост. тока	18	18	18
Ток	А	1,25	2	4

Аккумуляторная батарея		SFMCB201	SFMCB202	SFMCB204	SFMCB206
Напряжение	В пост. тока	18	18	18	18
Емкость	Ач	1,5	2,0	4,0	6,0
Тип		Ионно-литиевая	Ионно-литиевая	Ионно-литиевая	Ионно-литиевая

Уровень звукового давления в соответствии с EN 62841:

Звуковое давление (L_{ра}) 53 дБ(А), погрешность (К) 3 дБ(А)

Уровень звукового давления в соответствии с EN 62841:

Акустическая мощность (L_{WA}) 64 дБ(А), погрешность (К) 3 дБ(А)
--

Сумма величин вибрации (сумма векторов по трем осям), измеренных в соответствии со стандартом EN 62841:

Уровень вибрационного воздействия ($a_{h,eq}$) 7,5 м/с ² , погрешность (К) 1,5 м/с ²
--

ЕС ДЕКЛАРАЦИЯ СООТВЕТСТВИЯ ДИРЕКТИВА ПО МЕХАНИЧЕСКОМУ ОБОРУДОВАНИЮ



SFMCE100 - Полировальная машина

Stanley заявляет, что продукция, описанная в разделе «Технические характеристики» соответствует: 2006/42/EC, EN62841-1-2015, EN62841-2-4:2014.

Эти изделия также соответствуют Директивам 2014/30/EU и 2011/65/EU

За дополнительной информацией обращайтесь в компанию Stanley по адресу, указанному ниже или приведенному на задней стороне обложки руководства.

Нижеподписавшийся несет ответственность за составление технической документации и составил данную декларацию по поручению компании Stanley.

Patrick Diepenbach

Патрик Дипенбах (Patrick Diepenbach) Генеральный директор, Benelux Stanley,
Egide Walschaertsstraat 14-18
2800 Mechelen, Belgium

15.05.2022

Гарантия

Stanley с уверенностью в качестве своей продукции предлагает клиентам гарантию на 24 месяцев с момента покупки. Данная гарантия является дополнительной и ни в коей мере не направлена на ущемление ваших юридических прав. Гарантия действует на территории стран-участниц Европейского союза и в Европейской зоне свободной торговли и Великобритании.

Чтобы подать заявку по гарантии, заявка должна соответствовать положениям и условиям Stanley, кроме того, вам потребуется предъявить продавцу или авторизованному специалисту по ремонту подтверждение

покупки. Положения и условия гарантии Stanley на 2 года и местонахождение ближайшего авторизованного специалиста по ремонту можно узнать через интернет по адресу www.2helpU.com, или связавшись с местным представительством Stanley по адресу, указанному в данном руководстве.

Посетите наш веб-сайт www.blackanddecker.co.uk, чтобы зарегистрировать свое новое изделие Stanley и получать информацию о новинках и специальных предложениях.



Приложение к руководству по эксплуатации электрооборудования для определения месяца производства по номеру текущей календарной недели года

Электрооборудование торговых марок "Dewalt", "Stanley", "Stanley FatMAX", "BLACK+DECKER".

Директивы 2014/30/EU ЕВРОПЕЙСКОГО ПАРЛАМЕНТА И СОВЕТА от 26 февраля 2014 г. "О гармонизации законодательств Государств-членов ЕС в области электромагнитной совместимости", 2006/42/ЕС ЕВРОПЕЙСКОГО ПАРЛАМЕНТА И СОВЕТА от 17 мая 2006 г. "О машинах и оборудовании"; 2014/35/EU ЕВРОПЕЙСКОГО ПАРЛАМЕНТА И СОВЕТА от 26 февраля 2014 г. "О гармонизации законодательств государств-членов в области размещения на рынке электрооборудования, предназначенного для использования в определенных пределах напряжения". Серийный выпуск.

ТОВАР СЕРТИФИЦИРОВАН

Орган по сертификации "РОСТЕСТ- Москва", Адрес: 119049, г. Москва, улица Житная, д. 14, стр. 1; 117418, Москва, Нахимовский просп., 31 (фактический), Телефон: (499) 1292311, (495) 6682893, Факс: (495) 6682893, E-mail: office@rostest.ru
Изготовитель: Изготовитель: Блэк энд Деккер Холдингс ГмбХ, Германия, 65510, Идштайн, ул. Блэк энд Деккер, 40, тел. +496126212790.

Уполномоченное изготовителем юр.лицо:

ООО "Стэнли Блэк энд Деккер", 117485, город Москва, улица Обручева, дом 30/1, строение 2
Телефон: + 7 (495) 258-3981, факс: + 7 (495) 258-3984, E-mail: inbox@dewalt.com
Сведения о импортере указаны в сопроводительной документации и/или на упаковке

Хранение.

Необходимо хранить в сухом месте, вдали от источников повышенных температур и воздействия солнечных лучей. При хранении необходимо избегать резкого перепада температур. Хранение без упаковки не допускается

Срок службы.

Срок службы изделия составляет 5 лет. Не рекомендуется к эксплуатации по истечении 5 лет хранения с даты изготовления без предварительной проверки.

Дата изготовления (код даты) указана на корпусе инструмента.

Код даты, который также включает год изготовления, отштампован на поверхности корпуса изделия.

Пример:

2014 46 XX, где 2014 –год изготовления, 46-неделя изготовления.

Определить месяц изготовления по указанной неделе изготовления можно согласно приведенной ниже таблице.

Транспортировка.

Категорически не допускается падение и любые механические воздействия на упаковку при транспортировке. При разгрузке/погрузке не допускается использование любого вида техники, работающей по принципу зажима упаковки.

Перечень критических отказов, возможные ошибочные действия персонала.

Не допускается эксплуатация изделия:

- При появлении дыма из корпуса изделия
- При повреждении и/или оголенном сетевом кабеле
- при повреждении корпуса изделия, защитного кожуха, рукоятки
- при попадании жидкости в корпус
- при возникновении сильной вибрации
- при возникновении сильного искрения внутри корпуса

Критерии предельных состояний.

- При поврежденном и/или оголенном сетевом кабеле
- при повреждении корпуса изделия

Месяц	Январь	Февраль	Март	Апрель	Май	Июнь	Июль	Август	Сентябрь	Октябрь	Ноябрь	Декабрь	Год производства
Неделя	1	5	9	14	18	23	27	31	36	40	44	49	2018
	2	6	10	15	19	24	28	32	37	41	45	50	
	3	7	11	16	20	25	29	33	38	42	46	51	
	4	8	12	17	21	26	30	34	39	43	47	52	
Неделя			13		22			35				48	2019
	1	6	10	14	18	23	27	31	36	40	45	49	
	2	7	11	15	19	24	28	32	37	41	46	50	
	3	8	12	16	20	25	29	33	38	42	47	51	
	4	9	13	17	21	26	30	34	39	43	48	52	
Неделя					22			35		44			2020
	1	6	10	14	19	23	27	32	36	40	45	49	
	2	7	11	15	20	24	28	33	37	41	46	50	
	3	8	12	16	21	25	29	34	38	42	47	51	
	4	9	13	17	22	26	30	35	39	43	48	52	
Неделя				18			31			44			2021
	2	6	10	14	19	23	27	32	36	41	45	49	
	3	7	11	15	20	24	28	33	37	42	46	50	
	4	8	12	16	21	25	29	34	38	43	47	51	
	5	9	13	17	22	26	30	35	39	44	48	52	
Неделя				18			31		40			1	2022
	2	6	10	15	19	23	28	32	36	41	45	49	
	3	7	11	16	20	24	29	33	37	42	46	50	
	4	8	12	17	21	25	30	34	38	43	47	51	
	5	9	13	18	22	26	31	35	39	44	48	52	
		14				27			40			1	

STANLEY
FATMAX

ГАРАНТИЙНЫЙ ТАЛОН

3 ГОДА
ГАРАНТИИ

1. Поздравляем Вас с покупкой высококачественного изделия STANLEY FATMAX и выражаем признательность за Ваш выбор.
2. При покупке изделия требуйте проверки его комплектности и исправности в Вашем присутствии, инструкцию по эксплуатации и заполненный Гарантийный талон на русском языке. В гарантийном талоне должны быть внесены: модель, дата продажи, серийный номер, дата производства инструмента; название, печать и подпись торговой организации. При отсутствии у Вас правильно заполненного Гарантийного талона, а также несоответствия указанных в нем данных, мы будем вынуждены отклонить Ваши претензии по качеству данного изделия.
3. Во избежание недоразумений, убедительно просим Вас перед началом работы с изделием внимательно ознакомиться с инструкцией по его эксплуатации. Правовой основой настоящих гарантийных условий является действующее Законодательство. Гарантийный срок на данное изделие составляет 36 месяцев и исчисляется со дня продажи. В случае устранения недостатков изделия, гарантийный срок продлевается на период его нахождения в ремонте. Срок службы изделия составляет 5 лет со дня продажи.
4. В случае возникновения каких-либо проблем в процессе эксплуатации изделия рекомендуем Вам обращаться только в уполномоченные сервисные центры STANLEY FATMAX, адреса и телефоны которых Вы сможете найти на сайте www.2helpU.com или узнать в магазине. Наши сервисные станции - это не только квалифицированный ремонт, но и широкий ассортимент запчастей и принадлежностей.
5. Производитель рекомендует проводить периодическую проверку и техническое обслуживание изделия в уполномоченных сервисных центрах.
6. Наши гарантийные обязательства распространяются только на неисправности, выявленные в течение гарантийного срока и вызванные дефектами производства и / или материалов.
7. Гарантийные условия не распространяются на неисправности изделия, возникшие в результате:
 - 7.1. Несоблюдения пользователем предписаний инструкции по эксплуатации изделия, применения изделия не по назначению, неправильного хранения, использования принадлежностей, расходных материалов и запчастей, не предусмотренных производителем.
 - 7.2. Механического повреждения (сколы, трещины и разрушения) внутренних и внешних деталей изделия, основных и вспомогательных рукояток, сетевого электрического кабеля, вызванного внешним ударным или любым иным воздействием.
 - 7.3. Попадания в вентиляционные отверстия и проникновение внутрь изделия посторонних предметов, материалов или веществ, не являющихся отходами, сопровождающими применение изделия по назначению, такими как: стружка, опилки, песок, и пр.
 - 7.4. Воздействия на изделие неблагоприятных атмосферных и иных внешних факторов, таких как дождь, снег, повышенная влажность, нагрев, агрессивные среды, несоответствие параметров питающей электросети, указанных на инструменте.
 - 7.5. Стихийного бедствия. Повреждение или утрата изделия, связанное с непредвиденными бедствиями, стихийными явлениями, в том числе вследствие действия непреодолимой силы (пожар, молния, потоп и другие природные явления), а также вследствие перепадов напряжения в электросети и других причин, которые находятся вне контроля производителя.
8. Гарантийные условия не распространяются:
 - 8.1. На инструменты, подвергавшиеся вскрытию, ремонту или модификации вне уполномоченного сервисного центра.
 - 8.2. На детали и узлы, имеющие следы естественного износа, такие как: приводные ремни и колеса, угольные щетки, смазка, подшипники, зубчатое зацепление редукторов, резиновые уплотнения, сальники, направляющие ролики, муфты сцепления, бойки, толкатели, стволы, и т.п.
 - 8.3. На сменные и расходные части: цанги, зажимные гайки и фланцы, фильтры, ножи, шлифовальные подошвы, цепи, звездочки, пыльные шины, защитные кожухи, пилки, абразивы, пыльные и абразивные диски, фрезы, сверла, буры и т.п.
 - 8.4. На неисправности, возникшие в результате перегрузки инструмента (как механической, так и электрической), повлекшей выход из строя одновременно двух и более деталей и узлов, таких как ротора и статора, обеих обмоток статора, ведомой и ведущей шестерни редуктора или других узлов и деталей. К безусловным признакам перегрузки изделия относятся, помимо прочего: появление цветов побежалости, деформация или оплавление деталей и узлов изделия, потемнение или обугливание изоляции проводов электродвигателя под воздействием высокой температуры.

Товар получен в исправном состоянии, без видимых повреждений, в полной комплектации, проверен в моем присутствии, претензий по качеству товара не имею. С условиями гарантийного обслуживания ознакомлен и согласен.

Ф. И. О. и подпись покупателя _____

Уважаемые клиенты, наша сеть авторизованных сервисных центров постоянно расширяется. Актуальную информацию об обслуживании в интересующем вас городе вы можете узнать на сайте

www.2helpU.com

Информация об инструменте

Наименование инструмента	
Модель	
Наименование продавца	
Дата продажи	

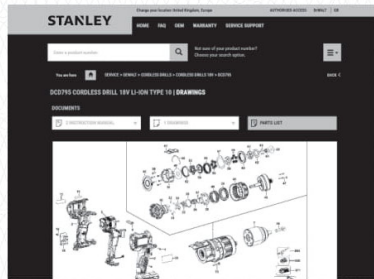
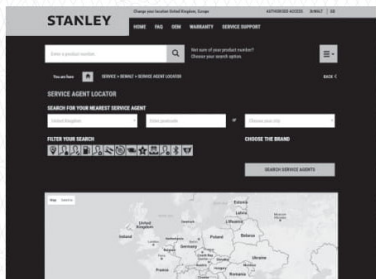
М.П.
Продавца

Серийный номер / Дата производства

Инструмент	
Зарядное устройство	
Аккумулятор 1	
Аккумулятор 2	

На сайте www.2helpU.com доступны следующие функции:

- Список авторизованных сервисных центров
- Удобный поиск ближайшего сервисного центра
- Руководство по эксплуатации
- Технические характеристики
- Список деталей и запасных частей
- Схема сборки инструмента



**Также данную информацию вы можете получить, позвонив по телефону:
8(800) 1000 876**

ОТМЕТКА О ПРОВЕДЕНИИ СЕРВИСНОГО ОБСЛУЖИВАНИЯ

№1	№2	№3	№4
№ заказа	№ заказа	№ заказа	№ заказа
Дата поступления	Дата поступления	Дата поступления	Дата поступления
Дата ремонта	Дата ремонта	Дата ремонта	Дата ремонта
Печать и подпись сервисного центра	Печать и подпись сервисного центра	Печать и подпись сервисного центра	Печать и подпись сервисного центра

Сфера застосування

Ваша полірувальна машинка SFMCE100 виробництва компанії STANLEY FATMAX призначена для шліфування та полірування. Цей пристрій призначений для професійного використання, а також для приватних непрофесійних користувачів.

Інструкції з техніки безпеки

Загальні правила безпеки для електричного інструмента



Увага! Ознайомтеся з усіма попередженнями, інструкціями з техніки безпеки, зображеннями та специфікаціями, які поставляються з цим електричним інструментом. Невиконання нижченаведених інструкцій може призвести до ураження електричним струмом, пожежі та/або серйозних тілесних ушкоджень.

Збережіть всі попередження та інструкції для використання в майбутньому. Термін «електричний інструмент» в усіх попередженнях стосується використовуваних вами інструментів, що живляться від мережі енергопостачання (з електричним кабелем) або від акумуляторів (без кабелю).

1. Безпека робочої зони

- Робоча зона завжди має бути чистою та добре освітленою. Захаращена або темна робоча зона призводить до нещасних випадків.
- Не використовуйте електричні інструменти у вибухонебезпечній атмосфері, наприклад поруч із вогненебезпечними рідинами, газами та пилом. Електричні інструменти створюють іскри, що можуть запалити пил або пару.
- Тримайте дітей та сторонніх подалі під час використання інструмента. Відвернення уваги може призвести до втрати контролю.

2. Електрична безпека

- Вилка електричного інструмента повинна відповідати розетці. Ніколи жодним чином не змінюйте вилку. Не використовуйте адаптери з заземленими електричними інструментами. Немодифіковані вилки та розетки, що підходять до них, зменшують ризик ураження електричним струмом.
- Уникайте контакту тіла з заземленими поверхнями, такими як труби, радіатори, плити та холодильники. Якщо ваше тіло заземлене, збільшується ризик ураження електричним струмом.

- Не залишайте електричні інструменти під дощем або в умовах підвищеної вологості. Вода, що потрапляє в електричний інструмент, підвищує ризик ураження електричним струмом.
- Не використовуйте кабель живлення не за призначенням. Ніколи не переносьте, не тягніть та не відключайте електричний інструмент від розетки електроживлення за допомогою шнура. Тримайте шнур подалі від високих температур, мастила, гострих предметів та рухомих деталей. Пошкоджені або перекручені шнури підвищують ризик ураження електричним струмом.
- При використанні електричного інструмента на вулиці, використовуйте подовжувальний шнур, що підходить для використання на вулиці. Використання шнура, що призначений для використання поза приміщенням, знижує ризик ураження електричним струмом.
- Якщо неможливо уникнути використання електричного інструмента в умовах підвищеної вологості, використовуйте живлення, захищене пристроєм залишкового струму (RCD). Використання RCD знижує ризик ураження електричним струмом.

3. Особиста безпека

- Будьте пильними, стежте за тим, що ви робите, і керуйтеся здоровим глуздом, коли користуєтеся електроінструментом. Не використовуйте електроінструмент, якщо ви втомилися або перебуваєте під дією наркотиків, алкоголю чи ліків. Втрата уваги під час роботи з електричними інструментами може призвести до серйозних травм.
- Використовуйте особисті засоби безпеки. Завжди використовуйте засоби захисту очей. Засоби безпеки, такі як протипилова маска, нековзкі безпечні черевики, захисний шолом та засоби захисту слухового апарату при використанні для відповідних умов зменшують імовірність особистих травм.
- Уникайте випадкового запуску. Переконайтеся в тому, що вимикач знаходиться в позиції Вимк. перед підключенням до джерела живлення та/або акумулятора, переміщенням або перенесенням пристрою. Може статися нещасний випадок, коли ви переносите інструмент, тримаючи палець на вимикачі, або підключаєте живлення до вимикача в позиції Увімк.

- d. Зніміть усі ключі для регулювання або гайкові ключі, перш ніж вмикати електричний інструмент. Гайковий ключ, що залишився прикріпленим до якоїсь деталі електричного пристрою, що обертається, може призвести до травм.
- e. Не прикладайте надмірних зусиль. Завжди утримуйте правильну постановку ніг і рівновагу. Це дає вам змогу краще контролювати інструмент в неочікуваних ситуаціях.
- f. Одягайтеся відповідним чином. Не вдягайте вільний одяг або прикраси. Тримайте ваше волосся та одяг подалі від рухомих деталей. Вільний одяг, прикраси або довге волосся можуть зачепитися за рухомі деталі.
- g. Якщо передбачені пристрої для підключення до засобів виділення та збирання пилу, переконайтеся, що вони правильно підключені та використовуються. Використання таких пристроїв зменшує ризик виникнення небезпечних ситуацій, що пов'язані з потраплянням пилу.
- h. Навіть якщо ви добре знаєте інструмент та часто його використовуєте, не розслабляйтесь та не забувайте про принципи техніки безпеки. Необережні дії можуть за долю секунди призвести до важких тілесних ушкоджень.

4. Використання електричного інструмента та догляд за ним

- a. Не прикладайте надмірних зусиль під час роботи з інструментом. Використовуйте інструмент, що відповідає вашому використанню. Правильно обраний електричний інструмент виконує завдання краще та безпечніше за умов, для яких він був розроблений.
- b. Не використовуйте інструмент, якщо його неможливо ввімкнути та вимкнути за допомогою вимикача. Будь-який електричний інструмент, яким неможливо керувати за допомогою вимикача, є небезпечним і має бути відремонтований.
- c. Якщо вилка знімна, відключіть її від джерела живлення та/або вийміть акумулятор, перш ніж виконувати будь-які налаштування, змінювати додаткове обладнання або зберігати інструмент. Ці профілактичні заходи зменшують ризик випадкового запуску електричного інструмента.

- d. Зберігайте вимкнені електричні інструменти в недоступному для дітей місці та не дозволяйте особам, що не знайомі з електричним інструментом або цими інструкціями, використовувати електричний інструмент. Електричні інструменти є небезпечними, якщо вони використовуються некваліфікованими користувачами.
- e. Технічне обслуговування електричних інструментів та аксесуарів. Перевіряйте несумісність або заїдання рухомих деталей, наявність ушкоджених частин та інших умов, що можуть впливати на роботу електричного інструмента. Якщо є пошкодження, відремонтуйте електричний інструмент перед використанням. Нещасні випадки часто є результатом того, що інструмент не пройшов відповідного технічного обслуговування.
- f. Ріжучі інструменти мають бути гострими та чистими. Правильно доглянуті ріжучі інструменти з гострими різальними кромками мають меншу імовірність заїдання і ними легше керувати.
- g. Використовуйте електричний інструмент, додаткові інструменти, різці тощо у відповідності до цих інструкцій та відповідно до даного типу електричних інструментів, зважаючи на умови використання та роботу, яка має бути виконана. Використання електричних інструментів не за призначенням може призвести до виникнення небезпечних ситуацій.
- h. Всі ручки та поверхні для тримання інструмента мають бути сухими, без залишків мастила. Слизькі ручки та поверхні для тримання не дозволяють безпечно працювати та контролювати інструмент у неочікуваних ситуаціях

5. Використання та догляд за інструментом, що працює від акумулятора

- a. Заряджайте інструмент лише за допомогою зарядного пристрою, вказаного виробником. Зарядний пристрій, що підходить до одного типу акумуляторів, може призвести до пожежі в разі використання з іншим акумулятором.
- b. Використовуйте електричні інструменти лише з призначеними для них акумуляторами. Використання інших акумуляторів може призвести до травм або пожежі.

- c. Коли акумулятори не використовуються, зберігайте їх подалі від металевих предметів, як скріпки, монети, ключі, цвяхи, гвинти або інші невеликі предмети, що можуть призвести до замикання двох контактів. Коротке замикання клем акумулятора може призвести до вибуху або пожежі.
- d. За невідповідних умов використання рідина може витікати з акумулятора; уникайте контакту з цією рідиною. Якщо контакт таки стався, промийте забруднену ділянку водою. Якщо рідина потрапила в очі, промийте водою та зверніться до лікаря. Рідина, що витікає з акумулятора, може призвести до подразнень та опіків.
- e. Не використовуйте пошкоджений або модифікований акумулятор або інструмент. Пошкоджені або модифіковані акумулятори можуть поводити себе непередбачуваним чином, призводячи до пожежі, вибуху або тілесним ушкодженням.
- f. Не піддавайте акумулятор та інструмент дії вогню та надмірних температур. Вплив вогню або температури вище 130°C може спричинити вибух.
- g. Виконуйте всі інструкції щодо зарядки; заряджайте акумулятор та інструмент тільки в межах температурного діапазону, вказаного в інструкціях. Неналежна зарядка або зарядка поза межами вказаного температурного діапазону може пошкодити акумулятор та підвищити ризик пожежі.

6. Обслуговування

- a. Надавайте ваш електричний інструмент для обслуговування кваліфікованим спеціалістом з ремонту та використовуйте тільки ідентичні замінні деталі. Це забезпечить безпеку електричного пристрою, що обслуговується.
- b. Ніколи не обслуговуйте пошкоджені акумулятори самостійно. Сервісне обслуговування акумуляторних батарей повинно здійснюватися тільки виробником або уповноваженими постачальниками послуг.

Залишкові ризики

Наступні ризики можуть залишитися при використанні пилок:

- ♦ Травми через контакт з деталями, що обертаються. Незважаючи на виконання всіх відповідних правил техніки безпеки та використання пристроїв безпеки, неможливо уникнути деяких залишкових ризиків. До такого переліку належать:
 - ♦ Порушення слуху.

- ♦ Ризик нещасного випадку, викликаний незакритими деталями пильного диска, що обертається.
- ♦ Ризик травми при заміні пильного диска.
- ♦ Ризик затиснення пальців при відкритті захисних кожухів.
- ♦ небезпека для здоров'я через вдихання пилу, що утворюється при розпилюванні деревини, особливо дубу, берези та ДВП.

Безпека оточення

- ♦ Цей інструмент не призначений для використання особами (включаючи дітей) зі зниженими фізичними, сенсорними або розумовими можливостями, а також особами, яким бракує досвіду або знань, за винятком випадків, коли такі особи працюють під наглядом або отримали інструкції щодо використання інструмента від особи, яка несе відповідальність за їхню безпеку.
- ♦ Уважно слідкуйте за тим, щоб діти не гралися з пристроєм.

Вібрація

Значення вібрації, вказані в технічних даних та в декларації про відповідність, були виміряні з дотриманням стандартних методів тестування, наданих у EN62841, та можуть використовуватися для порівняння одного інструменту з іншим. Задекларовані значення вібрації можна також використовувати для попереднього оцінювання впливу вібрації.



Увага! Значення вібрації під час використання інструмента може відрізнитися від задекларованого в залежності від способів використання інструмента. Рівень вібрації може перевищувати вказані значення.

Оцінюючи вплив вібрації для визначення заходів безпеки за вимогами 2002/44/EC, щоб захистити людей, які регулярно використовують інструменти в роботі, необхідно враховувати реальні умови та способи використання інструмента, у тому числі всі періоди робочого циклу, наприклад час, коли інструмент вимкнено та коли він працює в режимі холостого ходу, а також час, потрібний для запуску інструмента.

Написи на інструменті

Наведені нижче символи нанесені на інструмент разом в кодом дати:



Увага! Щоб зменшити ризик травм, користувач повинен прочитати інструкцію з експлуатації.

Додаткові інструкції з техніки безпеки для батарей та зарядних пристроїв

Акумуляторні батареї

- ♦ Ніколи не намагайтесь відкривати батарею.
- ♦ Не занурюйте батарею у воду.

- ♦ Не зберігайте у місцях, де температура може перевищувати 40 °С.
- ♦ Заряджайте лише за температури навколишнього середовища між 10 °С та 40 °С.
- ♦ Заряджайте лише за допомогою зарядного пристрою, що надається з інструментом.
- ♦ Під час утилізації батарей виконуйте інструкції, наведені в розділі «Захист навколишнього середовища».

Зарядні пристрої

- ♦ Використовуйте зарядний пристрій Stanley Fatmax для зарядки батарей лише того інструмента, з яким він був у комплекті. Інші акумуляторні батареї можуть вибухнути, спричинивши травми та пошкодження.
- ♦ Ніколи не намагайтесь заряджати батареї, що не підлягають зарядці.
- ♦ негайно замінійте пошкоджений дріт живлення.
- ♦ Уникайте контакту зарядного пристрою з водою.
- ♦ Не відкривайте корпус зарядного пристрою.
- ♦ Не розбирайте зарядний пристрій.

Електрична безпека



Цей зарядний пристрій має подвійну ізоляцію, тому заземлення не є необхідним. Завжди перевіряйте відповідність джерела живлення напрузі, яка зазначена на таблиці з паспортними даними.

- ♦ Якщо силовий кабель пошкоджений, його необхідно замінити у виробника або в офіційному сервісному центрі Stanley для уникнення небезпеки.

Компоненти

1. Система ручок по периметру
2. Повзунковий перемикач увімк./вимк.
3. Основа з пінопластовою подушкою
4. Дисківий перемикач
5. Акумуляторна батарея
6. Кнопка розблокування акумулятора

Монтаж та налаштування



Увага! Щоб знизити ризик серйозних травм, вимкніть пристрій та вийміть акумулятор перед виконанням будь-яких налаштувань або зніманням/установленням додаткового обладнання чи приладдя. Випадковий запуск може призвести до травм.

Кріплення шерстяної насадки-аплікатора для нанесення воску (рис. А, В, D)



УВАГА! Якщо якісь частини відсутні, НЕ використовуйте цю полірувальну/шліфувальну машинку, доки не буде замінено відсутні частини. Невиконання цієї умови може призвести до можливих серйозних травм.

1. Прикріпіть насадку-аплікатора для нанесення воску (8) до основи (3) з пінопластовою подушкою, як показано на рис. А. ЗАВЖДИ слідкуйте за тим, щоб еластична смужка на нижній частині насадки була надійно заправлена в нижню сторону пінопластової подушки.
2. Для нанесення воскової пасти скористайтесь шпателем або будь-яким іншим плоским предметом, нанесіть воскову пасту на насадку, рівномірно розподіливши чайну ложку воску по всій поверхні насадки для нанесення воску, як показано на рис. В. **Важливо!** Не наносьте віск безпосередньо на автомобіль.
3. У разі рідкого воску нанесіть три кола воску на насадку-аплікатор. Цього має бути достатньо, щоб покрити 1/4 поверхні автомобіля, як показано на рис. D.
4. Для другого, третього та четвертого нанесень використовуйте приблизно вдвічі менше воску, ніж при першому нанесенні. Під час цих нанесень насадка не вбере в себе стільки воску.

Кріплення махрової полірувальної насадки (рис. С, D)

1. Установіть махрову насадку (9) на пінопластову подушку (3).
2. ЗАВЖДИ слідкуйте за тим, щоб еластична смужка на нижній частині насадки була надійно заправлена в нижню сторону пінопластової подушки.
3. Нанесіть віск круговими рухами, як показано на рис. D.

ЕКСПЛУАТАЦІЯ



Увага! Щоб знизити ризик серйозних травм, вимкніть пристрій та вийміть акумулятор перед виконанням будь-яких налаштувань або зніманням/установленням додаткового обладнання чи приладдя. Випадковий запуск може призвести до травм.

Встановлення акумулятора в інструмент та його виймання з інструмента

Встановлення акумуляторної батареї (рис. E)

- ♦ Вставте акумуляторну батарею (5) в інструмент, поки не почуєте виразне клацання, як показано на рисунку E. Переконайтесь, що батарея повністю сіла на своє місце та надійно зафіксована у відповідному положенні.

Вийняття акумулятора (рис. E)

- ♦ Натисніть кнопку вивільнення батареї (6) як показано на рисунку E та витягніть її з пристрою.

Дисковий перемикач

Дисковий перемикач (4) змінює швидкість полірування. Поверніть перемикач вперед, щоб збільшити швидкість, або назад, щоб зменшити швидкість. 1 – найнижче налаштування, а 3 – найвище налаштування.

Належне положення рук (рис. F)



Увага! Щоб знизити ризик серйозних травм, **ЗАВЖДИ** забезпечуйте правильне положення рук, як показано на малюнку.



Увага! Щоб знизити ризик серйозних травм, **ЗАВЖДИ** добре тримайте інструмент, щоб попередити випадкову віддачу.

Правильне положення рук вимагає, щоб обидві руки знаходились на ручках по периметру (1).

Вощення автомобіля (рис. G)

1. Перш ніж почати натирати воском, шліфувати та полірувати свій автомобіль, видаліть весь дорожній гудрон, надлишки жиру та плями від комах за допомогою універсального засобу для очищення. Висушіть автомобіль.
2. Притисніть полірувальну/шліфувальну машинку до автомобіля та увімкніть її, змістивши повзунковий перемикач у положення «Увімк». Щоб уникнути розбризкування воску, **ЗАВЖДИ** запускайте і зупиняйте шліфувальну/полірувальну машинку на поверхні, що полірується.
3. Почніть полірування на низькій швидкості, а потім збільште швидкість за допомогою дискового перемикача (4).
4. Наносьте віск по прямій лінії з боку в бік або вперед-назад. **ЗАВЖДИ** використовуйте широкі, рівні мазки під час нанесення воску. Наносьте віск тонким рівним шаром. Занадто багато воску не додає додаткового захисту і лише ускладнює видалення воску.
5. Спочатку нанесіть віск на пласкі поверхні (капот, багажник і дах). Обробляйте воском одну секцію за раз.
6. Після завершення вощення пласких поверхонь обробіть воском бокові сторони. Найпростіше нанести віск на всю поверхню перед початком етапу видалення; однак дотримуйтеся конкретних рекомендацій щодо воску або поліролі, які використовуються.
7. Закінчивши нанесення воску насадкою з аплікатором, **ВИМКНІТЬ** шліфувальну/полірувальну машинку, перш ніж знімати її з поверхні автомобіля.

ПРИМІТКА. НЕ наносьте занадто багато воску на насадку. Нанесення занадто великої кількості воску призводить до насичення насадки, і вона не прослужить так довго, як очікувалося. ЦЕ УСКЛАДНЮЄ ПОЛІРУВАННЯ І ЗАЙМАЄ БІЛЬШЕ ЧАСУ.

ПРИМІТКА. Якщо насадка постійно відривається від подушки, можливо, ви використовуєте занадто багато воску.

ПРИМІТКА. Якщо шліфування здається складним, ви використали занадто багато воску.

ВАЖЛИВО! НЕ тисніть на робочу поверхню за допомогою цього інструменту з надмірним зусиллям. Функція довільного кругового руху на цьому інструменті працюватиме краще, якщо застосовуватиметься менший тиск. Застосування надмірного тиску сповільнить довільний круговий рух і знизить ефективність інструменту.

ВАЖЛИВО! Насадки-аплікатори для нанесення воску слід використовувати лише один раз, а потім утилізувати належним чином.

Шліфування та полірування

Переконайтеся, що насадка чиста і не містить будь-яких частинок або сторонніх предметів, які можуть бути відкинута або подряпати покриття

ПРИМІТКА. Слід дотримуватися особливої обережності під час полірування гострих предметів і контурів кузова автомобіля навколо або поверх них.

При поліруванні різних частин кузова автомобіля дуже важливо застосовувати правильний тиск. Наприклад, при поліруванні гострих країв панелей кузова або країв ринви зверху слід застосовувати невеликий тиск.

1. Дочекайтеся, поки віск висохне до рівномірного туману на автомобілі.
2. Увімкніть шліфувальну/полірувальну машинку.

ВАЖЛИВО! НЕ тисніть на робочу поверхню за допомогою цього інструменту з надмірним зусиллям. Функція довільного кругового руху на цьому інструменті працюватиме краще, якщо застосовуватиметься менший тиск. Застосування надмірного тиску сповільнить довільний круговий рух і знизить ефективність інструменту.

ПРИМІТКА. Для досягнення оптимальних результатів, видалючи віск, використовуйте довгі розмашисті мазки хрест-навхрест.

3. Відшліфуйте і відполіруйте всю поверхню, поки весь висохлий віск не буде видалено. Час від часу віднімайте насадку і струшуйте засохлий залишок воску. На насадці з надлишковим залишком з'являться розводи. Можливо, вам доведеться замінити насадку на нову, якщо ви не зможете очистити її достатньо, щоб уникнути розводів.

ПРИМІТКА. Високошвидкісне тертя частинок об поверхню заготовки може призвести до утворення статичного заряду на металевих частинах цього інструменту. Це може призвести до відчуття дуже короткого легкого удару електричним струмом при дотику до металевої частини інструменту, що буде більш помітним у дні з низькою вологістю. Це нешкідливе явище, але вам пропонується принести інструмент до сервісного центру, де його можна

перевірити, щоб переконатися, що немає несправності в електриці.

Поради щодо догляду за автомобілем

- Мийте та поліруйте автомобіль 3-4 рази на рік, щоб забезпечити захист лакофарбового покриття.
- Мийте автомобіль принаймні кожні 2 тижні за допомогою мийного розчину, який не пошкодить покриття та не видалить віск. УНИКАЙТЕ миття побутовими миючими засобами.
- Вимийте чистою губкою і висушіть махровим рушником, щоб бруд не відряпав фарбу. Почніть зверху і дійдіть донизу.
- Щодня видаляйте комах, пташиний послід, деревний сік і гудрон з поверхні автомобіля.
- Перед миттям ЗАВЖДИ переконайтеся, що поверхня автомобіля охолоджена.
- Уникайте паркування біля розбризкувачів, оскільки плями від води важко видалити.
- ЗАВЖДИ тримайте хімікати для очищення скла подалі від пофарбованих поверхонь. Розпиліть засіб для чищення на рушник, а НЕ безпосередньо на вікна.

Технічне обслуговування

Ваш інструмент призначений для роботи протягом довгого часу з мінімальним обслуговуванням. Довга задовільна робота приладу залежить від належного обслуговування інструмента та регулярного його очищення.

Зарядний пристрій не вимагає технічного обслуговування, потрібно лише виконувати регулярне очищення.



Увага! Перед виконанням будь-якого обслуговування, необхідно витягнути акумулятор з інструменту. Відключіть зарядний пристрій від мережі живлення перед його очищенням.

- ♦ Регулярно очищуйте вентиляційні отвори інструменту та зарядного пристрою, використовуючи м'яку щітку або суху тканину.
- ♦ Регулярно очищуйте корпус двигуна використовуючи вологу тканину. Не використовуйте абразивні очищувачі та засоби, що містять розчинники.

Захист навколишнього середовища



Роздільний збір. Пристрої та акумулятори, позначені цим символом, не можна викидати зі звичайним побутовим сміттям.

Пристрої та батареї містять матеріали, які можна відновити та переробити, що зменшить потребу у сировині.

Будь ласка, віддавайте електричні інструменти та акумулятори на переробку відповідно до місцевих постанов. Більш детальну інформацію можна отримати на сайті www.2helpU.com

Технічні характеристики

SFMCE100		
Напруга	струму	18 В
об/хв.	об/хв.	2200-2800
Маса	кг	2,17

Зарядний пристрій		SFMCB11	SFMCB12	SFMCB14
Вхідна напруга	V _{змін. струму}	230	230	230
Вихідна напруга	V _{пост. струму}	18	18	18
Струм	A	1,25	2	4

Акумуляторна батарея		SFMCB201	SFMCB202	SFMCB204	SFMCB206
Напруга	V _{пост. струму}	18	18	18	18
Ємність	Ампер-годин	1,5	2,0	4,0	6,0
Тип		Літій-іонна	Літій-іонна	Літій-іонна	Літій-іонна

Рівень звукового тиску згідно з EN 62841:
Звуковий тиск (L _{ра}) 53 дБ(A), похибка (K) 3 дБ(A)
Звукова потужність (L _{ва}) 64 дБ(A), похибка (K) 3 дБ(A)

Загальні значення вібрації (векторна сума трьох векторів) згідно з EN 62841:
Значення вібрації під час роботи (a _{h,w}) 7,5 м/с ² , похибка (K) 1,5 м/с ²

ДЕКЛАРАЦІЯ ПРО ВІДПОВІДНІСТЬ ЄС ДИРЕКТИВА ДЛЯ МЕХАНІЧНОГО ОБЛАДНАННЯ



Полірувальна машинка SFMCE100

Компанія Stanley заявляє, що ця продукція, що описана у розділі «Технічні дані», відповідає вимогам стандартів:

2006/42/EC, EN62841-1:2015, EN62841-2-4:2014.

Ці вироби також відповідають вимогам директив 2014/30/EU та 2011/65/EU

Для отримання додаткової інформації, будь ласка, зверніться до компанії Stanley за адресою, вказаною нижче, або прочитайте інформацію на зворотній стороні цього посібника.

Нижчепідписаний несе відповідальність за упорядкування файлу технічних характеристик та робить цю заяву від імені компанії Stanley.



Патрік Діпенбах (Patrick Diepenbach)
Керуючий директор, Бенелюкс
Stanley,
Egide Walschaertsstraat 14-18
2800 Мехелен, Бельгія

15.05.2022

Гарантія

Компанія Stanley впевнена в якості своєї продукції та пропонує споживачам гарантію тривалістю 24 місяців з дати покупки. Ця гарантія доповнює і жодним чином не обмежує ваші законні права. Ця гарантія є чинною на території країн-членів Європейського союзу та в європейській зоні вільної торгівлі і Великої Британії.

Позов за гарантією повинен відповідати умовам продажу компанії Stanley, при цьому вам необхідно надати доказ придбання продавцю або спеціалісту офіційного сервісного центру. Умови гарантії компанії Stanley на 2 рік та місцезнаходження найближчого сервісного центру можна дізнатися в інтернеті на сайті www.2helpU.com або звернутися до місцевого представництва компанії Stanley за адресою, вказаною у цьому керівництві.

Будь ласка, відвідайте наш сайт www.blackanddecker.ua, щоб зареєструвати свій новий продукт Stanley та отримувати інформацію про нові продукти та спеціальні пропозиції.



Виробник:
"Stanley Black & Decker Deutschland
GmbH" Black-&-Decker Str.40, D-65510
Idstein, Німеччина

STANLEY
FATMAX

ГАРАНТІЙНИЙ ТАЛОН

3 РОКИ
ГАРАНТІЇ

- Вітаємо Вас з покупкою високоякісного виробу Stanley FATMAX і висловлюємо вдячність за Ваш вибір.
- При покупці виробу вимагайте перевірки його комплектності і справності у Вашій присутності, інструкцію з експлуатації та заповнений гарантійний талон українською мовою. В гарантійному талоні повинні бути внесені: модель, дата продажу, серійний номер, дата виробництва інструменту; назва, печатка і підпис торгової організації. За відсутності у Вас правильно заповненого гарантійного талону, а також при невідповідності зазначених у ньому даних ми будемо змушені відхилити Ваші претензії щодо якості даного виробу.
- Щоб уникнути непорозумінь, переконливо просимо Вас перед початком роботи з виробом уважно ознайомитися з інструкцією з його експлуатації. Правовою основою справжніх гарантійних умов є чинне Законодавство. Гарантійний термін на даний виріб складає 36 місяці і обчислюється з дня продажу. У разі усунення недоліків виробу, гарантійний строк продовжується на період його перебування в ремонті. Термін служби виробу становить 5 років з дня продажу.
- У разі виникнення будь-яких проблем у процесі експлуатації виробу рекомендуємо Вам звертатися тільки в уповноважені сервісні центри Stanley FATMAX, адреси та телефони яких Ви зможете знайти в гарантійному талоні, на сайті www.2helpU.com або дізнатися в магазині. Наші сервісні станції - це не тільки кваліфікований ремонт, але і широкий асортимент запчастин і аксесуарів.
- Виробник рекомендує проводити періодичну перевірку і технічне обслуговування виробу в уповноважених сервісних центрах.
- Наші гарантійні зобов'язання поширюються тільки на несправності, виявлені протягом гарантійного терміну і викликані дефектами виробництва та \) або матеріалів.
- Гарантійні умови не поширюються на несправності виробу, що виникли в результаті:
 - Недотримання користувачем приписів інструкції з експлуатації виробу, застосування виробу не за призначенням, неправильного зберігання, використання приладдя, витратних матеріалів і запчастин, що не передбачені виробником.
 - Механічного пошкодження (відколю, тріщини і руйнування) внутрішніх і зовнішніх деталей виробу, основних і допоміжних рукояток, мережевого кабелю, що викликані зовнішнім ударним або будь-яким іншим впливом
 - Потрапляння у вентиляційні отвори та проникнення всередину виробу сторонніх предметів, матеріалів або речовин, що не є відходами, які супроводжують застосування виробу за призначенням, такими як: стружка, тирса, пісок, та ін.
 - Впливу на виріб несприятливих атмосферних і інших зовнішніх факторів, таких як дощ, сніг, підвищена вологість, нагрівання, агресивне середовище, невідповідність параметрів електромережі, що зазначені на інструменті.
 - Стихійного лиха. Пошкодження або втрати виробу, що пов'язані з непередбаченими лихами, стихійними явищами, у тому числі внаслідок дії непереборної сили (пожежа, блискавка, потоп і інші природні явища), а також внаслідок перепадів напруги в електромережі та іншими причинами, які знаходяться поза контролем виробника.
- Гарантійні умови не поширюються:
 - На інструменти, що піддавалися розкриттю, ремонту або модифікації поза уповноваженим сервісним центром.
 - На деталі, вузли та матеріали, що мають сліди природного зносу, такі як: приводні ремені і колеса, вугільні щітки, мастило, підшипники, зубчасті зчеплення редукторів, гумові ущільнення, сальники, направляючі ролики, муфти, вимикачі, бойки, штовхачі, стволи тощо.
 - На змінні частини: патрони, цанги, затискові гайки і фланці, фільтри, ножі, шліфувальні підшви, ланцюги, зірочки, пильні шини, захисні кожухи, пилки, абразиви, пильні і абразивні диски, фрези, свердла, бури тощо
 - На несправності, що виникли в результаті перевантаження інструменту (як механічного, так і електричного), що спричинили вихід з ладу одночасно двох і більше деталей і вузлів, таких як: ротора і статора, обох обмоток статора, веденої і ведучої шестерень редуктора або інших вузлів і деталей. До безумовних ознак перевантаження виробу відносяться, крім інших: поява кольорів мнливості, деформація або опалвлення деталей і вузлів виробу, потемніння або обуглювання ізоляції проводів електродвигуна під впливом високої температури.

Товар отриманий в справному стані, без видимих ушкоджень, в повній комплектації, перевірений у моїй присутності, претензій щодо якості товару не маю. З умовами гарантійного обслуговування ознайомлений і згоден.

П. І. Б. та підпис власника _____

Шановні клієнти, наша мережа авторизованих сервісних центрів постійно розширюється. Актуальну інформацію про обслуговування в місті, що цікавить вас, ви можете дізнатися на сайті

www.2helpU.com

Редакція ВК/12-12-2018

Інформація про інструмент

Найменування інструменту	
Модель	
Найменування продавця	
Дата продажу	

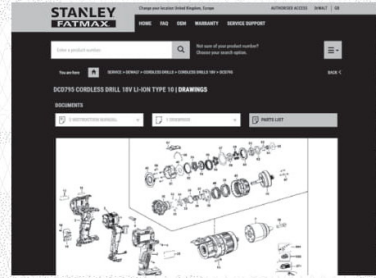
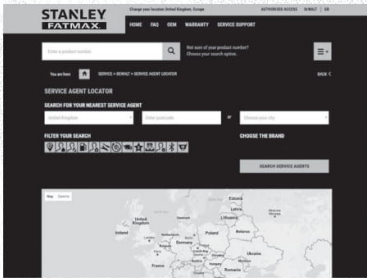
М.П.
Продавця

Серійний номер/Дата виробництва

Інструмент	
Зарядний пристрій	
Акумулятор 1	
Акумулятор 2	

На сайті www.2helpU.com доступні наступні функції:

- Список авторизованих сервісних центрів
- Зручний пошук найближчого сервісного центру
- Керівництво з експлуатації
- Технічні характеристики
- Список деталей і запасних частин
- Схема складання інструменту



Також дану інформацію ви можете отримати,
зателефонувавши за номером:
0 (800) 211 521 в Україні

ВІДМІТКА ПРО ПРОВЕДЕННЯ СЕРВІСНОГО ОБСЛУГОВУВАННЯ

№1	№2	№3	№4
№ замовлення	№ замовлення	№ замовлення	№ замовлення
Дата прийому	Дата прийому	Дата прийому	Дата прийому
Дата ремонту	Дата ремонту	Дата ремонту	Дата ремонту
Печатка і підпис сервісного центру	Печатка і підпис сервісного центру	Печатка і підпис сервісного центру	Печатка і підпис сервісного центру

