

**DEWALT®**

**[www.DEWALT.com](http://www.DEWALT.com)**

**D26411**  
**D26414**

---

English (**original instructions**)

3

---

Русский (*перевод с оригинала инструкции*)

10

---

Українська (*переклад з оригінальної інструкції*)

19

---

Fig. A

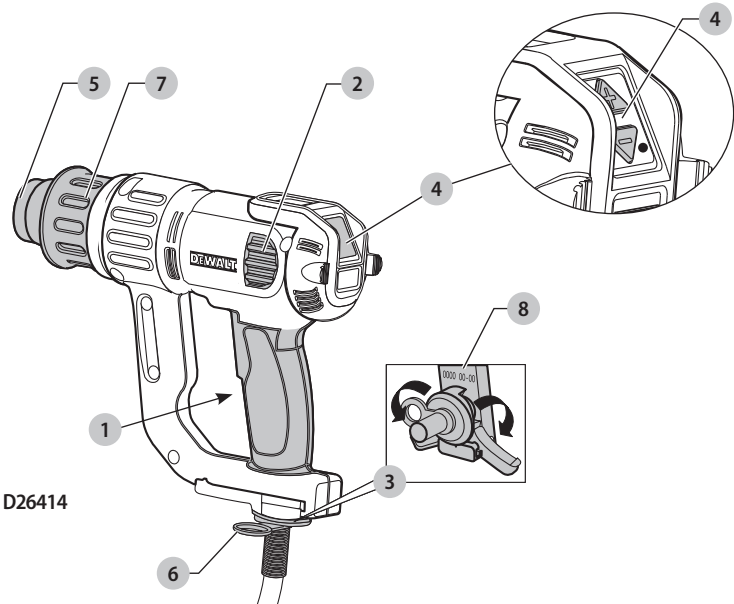
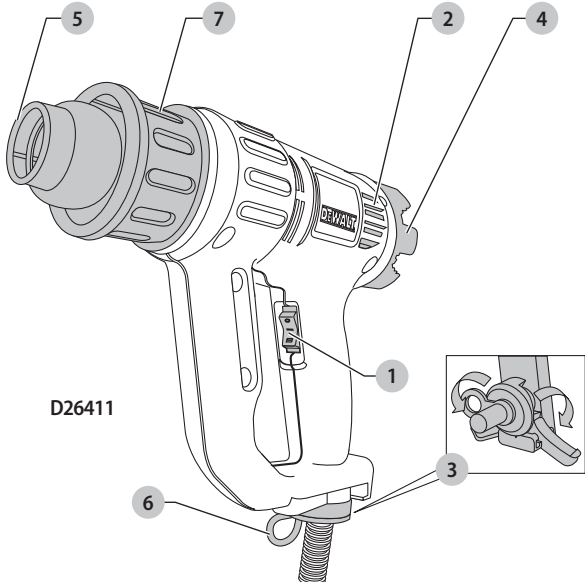


Fig. B

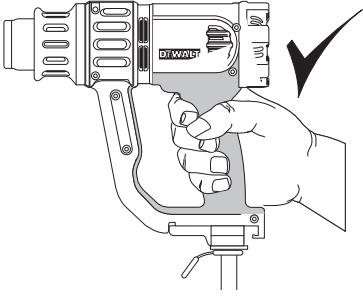


Fig. C

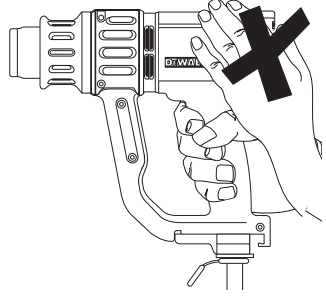
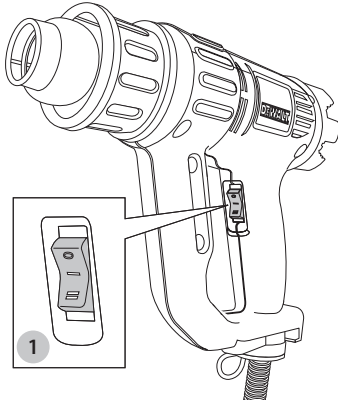


Fig. D



# HEAT GUN

## D26411, D26414

### Congratulations!

You have chosen a DEWALT tool. Years of experience, thorough product development and innovation make DEWALT one of the most reliable partners for professional power tool users.

### Technical Data

		D26411	D26414
Voltage	V <sub>AC</sub>	220-240	220-240
	UK & Ireland	V <sub>AC</sub> 230/115	230/115
Type		1	1
Power input	W	1800	2000
Power input (115V)	W	1600	1600
Air temperature range (at nozzle)	°C	50–400 and	50 –400 and
		50–600	50–600
Weight	kg	0.65	0.71

### EC-Declaration of Conformity

#### Machinery Directive



#### Heat Gun D26411, D26414

DEWALT declares that these products described under **Technical Data** are in compliance with: 2006/42/EC, EN60335-1:2012+A11:2014, EN60335-2-45:2002 +A1:2008 +A2:2012.

These products also comply with Directive 2014/30/EU and 2011/65/EU. For more information, please contact DEWALT at the following address or refer to the back of the manual.

The undersigned is responsible for compilation of the technical file and makes this declaration on behalf of DEWALT.

Markus Rompel  
Vice-President Engineering, PTE-Europe  
DEWALT, Richard-Klinger-Straße 11,  
D-65510, Idstein, Germany  
20.03.2018



**WARNING:** To reduce the risk of injury, read the instruction manual.

### Definitions: Safety Guidelines

The definitions below describe the level of severity for each signal word. Please read the manual and pay attention to these symbols.



**DANGER:** Indicates an imminently hazardous situation which, if not avoided, **will** result in **death or serious injury**.



**WARNING:** Indicates a potentially hazardous situation which, if not avoided, **could** result in **death or serious injury**.



**CAUTION:** Indicates a potentially hazardous situation which, if not avoided, **may** result in **minor or moderate injury**.

**NOTICE:** Indicates a practice **not related to personal injury** which, if not avoided, **may** result in **property damage**.



Denotes risk of electric shock.



Denotes risk of fire.

### GENERAL POWER TOOL SAFETY WARNINGS



**WARNING:** Read all safety warnings, instructions, illustrations and specifications provided with this power tool. Failure to follow all instructions listed below may result in electric shock, fire and/or serious injury.

#### SAVE ALL WARNINGS AND INSTRUCTIONS FOR FUTURE REFERENCE

The term "power tool" in the warnings refers to your mains-operated (corded) power tool or battery-operated (cordless) power tool.

#### 1) Work Area Safety

- Keep work area clean and well lit.** Cluttered or dark areas invite accidents.
- Do not operate power tools in explosive atmospheres, such as in the presence of flammable liquids, gases or dust.** Power tools create sparks which may ignite the dust or fumes.
- Keep children and bystanders away while operating a power tool.** Distractions can cause you to lose control.

#### 2) Electrical Safety

- Power tool plugs must match the outlet. Never modify the plug in any way. Do not use any adapter plugs with earthed (grounded) power tools.** Unmodified plugs and matching outlets will reduce risk of electric shock.
- Avoid body contact with earthed or grounded surfaces, such as pipes, radiators, ranges and**

**refrigerators.** There is an increased risk of electric shock if your body is earthed or grounded.

- c) **Do not expose power tools to rain or wet conditions.** Water entering a power tool will increase the risk of electric shock.
- d) **Do not abuse the cord. Never use the cord for carrying, pulling or unplugging the power tool. Keep cord away from heat, oil, sharp edges or moving parts.** Damaged or entangled cords increase the risk of electric shock.
- e) **When operating a power tool outdoors, use an extension cord suitable for outdoor use.** Use of a cord suitable for outdoor use reduces the risk of electric shock.
- f) **If operating a power tool in a damp location is unavoidable, use a residual current device (RCD) protected supply.** Use of an RCD reduces the risk of electric shock.

### 3) Personal Safety

- a) **Stay alert, watch what you are doing and use common sense when operating a power tool. Do not use a power tool while you are tired or under the influence of drugs, alcohol or medication.** A moment of inattention while operating power tools may result in serious personal injury.
- b) **Use personal protective equipment. Always wear eye protection.** Protective equipment such as a dust mask, non-skid safety shoes, hard hat or hearing protection used for appropriate conditions will reduce personal injuries.
- c) **Prevent unintentional starting. Ensure the switch is in the off-position before connecting to power source and/or battery pack, picking up or carrying the tool.** Carrying power tools with your finger on the switch or energising power tools that have the switch on invites accidents.
- d) **Remove any adjusting key or wrench before turning the power tool on.** A wrench or a key left attached to a rotating part of the power tool may result in personal injury.
- e) **Do not overreach. Keep proper footing and balance at all times.** This enables better control of the power tool in unexpected situations.
- f) **Dress properly. Do not wear loose clothing or jewellery. Keep your hair and clothing away from moving parts.** Loose clothes, jewellery or long hair can be caught in moving parts.
- g) **If devices are provided for the connection of dust extraction and collection facilities, ensure these are connected and properly used.** Use of dust collection can reduce dust-related hazards.
- h) **Do not let familiarity gained from frequent use of tools allow you to become complacent and ignore tool safety principles.** A careless action can cause severe injury within a fraction of a second.

### 4) Power Tool Use and Care

- a) **Do not force the power tool. Use the correct power tool for your application.** The correct power tool

will do the job better and safer at the rate for which it was designed.

- b) **Do not use the power tool if the switch does not turn it on and off.** Any power tool that cannot be controlled with the switch is dangerous and must be repaired.
- c) **Disconnect the plug from the power source and/or remove the battery pack, if detachable, from the power tool before making any adjustments, changing accessories, or storing power tools.** Such preventive safety measures reduce the risk of starting the power tool accidentally.
- d) **Store idle power tools out of the reach of children and do not allow persons unfamiliar with the power tool or these instructions to operate the power tool.** Power tools are dangerous in the hands of untrained users.
- e) **Maintain power tools and accessories. Check for misalignment or binding of moving parts, breakage of parts and any other condition that may affect the power tool's operation. If damaged, have the power tool repaired before use.** Many accidents are caused by poorly maintained power tools.
- f) **Keep cutting tools sharp and clean.** Properly maintained cutting tools with sharp cutting edges are less likely to bind and are easier to control.
- g) **Use the power tool, accessories and tool bits etc. in accordance with these instructions, taking into account the working conditions and the work to be performed.** Use of the power tool for operations different from those intended could result in a hazardous situation.
- h) **Keep handles and grasping surfaces dry, clean and free from oil and grease.** Slippery handles and grasping surfaces do not allow for safe handling and control of the tool in unexpected situations.

### 5) Service

- a) **Have your power tool serviced by a qualified repair person using only identical replacement parts.** This will ensure that the safety of the power tool is maintained.

## Safety Instructions for Heat Guns

A fire may result if the appliance is not used with care, therefore:

- Heat may be conducted to combustible materials that are out of sight. **DO NOT** use in a damp atmosphere, where flammable gases may be present or near combustible materials.
- **DO NOT** apply to the same place for a long time.
- **DO NOT** use in presence of an explosive atmosphere.
- Place the appliance on its stand after use and allow it to cool down before storage.
- **DO NOT** leave the tool unattended while it is switched on.
- **DO NOT** place your hand over the air vents or block the vents in any way.
- The nozzle and accessories of this tool become extremely hot during use. Let these parts cool down before touching.
- **ALWAYS** switch the tool off before putting it down.
- This appliance is not intended for use by persons (including children) with reduced physical, sensory or mental capabilities,

or lack of experience and knowledge, unless they have been given supervision or instruction concerning use of the appliance by a person responsible for their safety.

- Ensure adequate ventilation as toxic fumes may be produced.
- **DO NOT** use as a hair dryer.
- **DO NOT** obstruct either the air intake or nozzle outlet, as this may cause excessive heat build up resulting in damage to the tool.
- **DO NOT** direct the hot air blast at other people.
- **DO NOT** touch the metal nozzle as it becomes very hot during use and remains hot for up to 30 minutes after use.
- **DO NOT** place the nozzle against anything while using or immediately after use.
- **DO NOT** poke anything down the nozzle as it could give you an electric shock. Do not look down the nozzle while the unit is working because of the high temperatures being produced.
- **DO NOT** allow paint to adhere to the nozzle or scraper as it could ignite after some time.
- **DO NOT** remove the heat barrel cover during use.

## Additional Safety Warnings for Heat Guns

- To reduce the risk of explosion, **DO NOT** use in paint spray booths or within 3.0 m of paint spraying operations.
- **DO NOT use this tool to remove paint containing lead.** The peelings, residue and vapors of paint may contain lead which is poisonous.
- Hidden areas such as behind walls, ceilings, floors, soffit boards and other panels may contain flammable materials that could be ignited by the heat gun when working in these locations. The ignition of these materials may not be readily apparent and could result in property damage and injury to persons. When working in these locations, keep the heat gun moving in a back-and-forth motion. Lingering or pausing in one spot could ignite the panel or the material behind it.  
**NOTE:** These heat guns are capable of producing temperatures in excess of 550 °C.
- **DO NOT** use this tool to heat food.
- **DO NOT** lay the heat gun on flammable surfaces when operating the gun or immediately after shutting it off.
- Keep moveable items secured and steady while scraping.
- Be sure to direct the hot air blast in a safe direction; away from other people or flammable objects.
- **KEEP FINGERS AWAY FROM METAL NOZZLE;** it becomes very hot during use and remains hot for 30 minutes after use. Wear gloves to protect hands.
- **ALWAYS** keep nozzle away from cord.
- Splinters and small particles of stripped paint can be ignited and blown through holes and cracks in the surface being stripped.
- **DO NOT** burn the paint. Use the scraper provided and keep the nozzle at least 25 mm away from the painted surface. When working in a vertical direction, work downwards to prevent paint from falling into the tool and burning.
- **ALWAYS** use good quality scrapers and stripping knives.
- **DO NOT** use the heat gun in combination with chemical strippers.

- **DO NOT** use accessory nozzles as scrapers.
- **DO NOT** direct heatgun airflow directly on glass. The glass may crack and could result in property damage or personal injury.
- Maintain labels and nameplates. These carry important information.
- Place the heat gun on a stable, level surface when not hand held. Place the cord in a position that won't cause the heat gun to tip over.
- Be constantly aware that this tool can ignite flammable materials, soften or melt others. Regardless of the task you are performing, shield or keep the heat gun away from these materials.
- You may occasionally notice some slight smoking of the tool after it is turned off. This is the result of heating the residual oil that was deposited on the heating element during the manufacturing process.
- **Use eye protection and other safety equipment.**

## Removing Paint



**WARNING:** Extreme care should be taken when stripping paint.

Before beginning any paint removal process you should determine whether the paint you are removing contains lead. **LEAD-BASED PAINT SHOULD ONLY BE REMOVED BY A PROFESSIONAL AND SHOULD NOT BE REMOVED USING A HEAT GUN.**

Persons removing paint should follow these guidelines:

1. Move the workpiece outdoors. If this is not possible, keep the work area well ventilated. Open the windows and put an exhaust fan in one of them. Be sure the fan is moving the air from inside to outside.
2. Remove or cover any carpets, rugs, furniture, clothing, cooking utensils and air ducts.
3. Place drop cloths in the work area to catch any paint chips or peelings. Wear protective clothing such as extra work shirts, overalls and hats.
4. Work in one room at a time. Furnishings should be removed or placed in the center of the room and covered. Work areas should be sealed off from the rest of the dwelling by sealing doorways with drop cloths.
5. Children, pregnant or potentially pregnant women and nursing mothers should not be present in the work area until the work is done and all clean up is complete.
6. Wear a dust respirator mask or a dual filter (dust and fume) respirator mask. Be sure the mask fits. Beards and facial hair may keep masks from sealing properly. Change filters often. **DISPOSABLE PAPER MASKS ARE NOT ADEQUATE.**
7. Use caution when operating the heat gun. Keep the heat gun moving as excessive heat will generate fumes which can be inhaled by the operator.
8. Keep food and drink out of the work area. Wash hands, arms and face and rinse mouth before eating or drinking. Do not smoke or chew gum or tobacco in the work area.
9. Clean up all removed paint and dust by wet mopping the floors. Use a wet cloth to clean all walls, sills and any other surface where paint or dust is clinging. **DO NOT SWEEP, DRY DUST**

**OR VACUUM.** Use a high phosphate detergent or trisodium phosphate (TSP) to wash and mop areas.

10. At the end of each work session put the paint chips and debris in a double plastic bag, close it with tape or twist ties and dispose of properly.
11. Remove protective clothing and work shoes in the work area to avoid carrying dust into the rest of the dwelling. Wash work clothes separately. Wipe shoes off with a wet rag that is then washed with the work clothes. Wash hair and body thoroughly with soap and water.

## IMPORTANT NOTICE

In order for this tool to be an effective paint stripper, it must produce extremely high temperatures. As a consequence, the stripper is capable of igniting paper, wood, paint and varnish residue and similar materials.

As you become more familiar with the tool and develop the proper technique, the danger of accidental ignition will be greatly reduced. In establishing the proper technique, the best thing to do is PRACTICE! Work on simple stripping projects, preferably outdoors, until you get a "feel" for how to use your stripper safely and effectively.

## As you Practice, Observe the Following Procedures for Safety

- Always be sure the tool is turned off and disconnected from power supply when unattended.
- Clean the scraper blade often during use. Built up residue on the blade is highly flammable.
- Experiment to find the optimum distance from the tool's nozzle to the surface being stripped. This distance 25.4 mm–50.8 mm will vary depending on the material being removed.
- Keep the heat gun moving ahead of the scraper blade at all times.
- As you work, clean up loose pieces of paint as they accumulate around the work area.
- When working indoors, keep away from curtains, papers, upholstery and similar flammable materials.
- Above all, remember that this is a serious tool that is capable of producing excellent results when used properly. Practice on simple projects until you feel comfortable with your stripper. Only then will you have mastered the proper technique.

## Residual Risks



**WARNING:** We recommend the use of a residual current device with a residual current rating of 30mA or less.

In spite of the application of the relevant safety regulations and the implementation of safety devices, certain residual risks cannot be avoided. These are:

- Impairment of hearing.
- Risk of personal injury due to flying particles.
- Risk of burns due to accessories becoming hot during operation.
- Risk of personal injury due to prolonged use.

## SAVE THESE INSTRUCTIONS

## Electrical Safety

The electric motor has been designed for one voltage only. Always check that the power supply corresponds to the voltage on the rating plate.



Your DeWALT tool is double insulated in accordance with EN; therefore no earth wire is required.

If the supply cord is damaged, it must be replaced only by DeWALT or an authorised service organisation.

## Mains Plug Replacement (U.K. & Ireland Only)

If a new mains plug needs to be fitted:

- Safely dispose of the old plug.
- Connect the brown lead to the live terminal in the plug.
- Connect the blue lead to the neutral terminal.



**WARNING:** No connection is to be made to the earth terminal.

Follow the fitting instructions supplied with good quality plugs. Recommended fuse: 13 A.

## Using an Extension Cable

If an extension cable is required, use an approved 3–core extension cable suitable for the power input of this tool (see **Technical Data**). The minimum conductor size is 1.5 mm<sup>2</sup>; the maximum length is 30 m.

When using a cable reel, always unwind the cable completely.

## Package Contents

The package contains:

- 1 Heat gun
  - 1 Set of accessories
  - 1 Instruction manual
- Check for damage to the tool, parts or accessories which may have occurred during transport.
  - Take the time to thoroughly read and understand this manual prior to operation.

## Markings on Tool

The following pictograms are shown on the tool:



Read instruction manual before use.



Wear ear protection.



Wear eye protection.

## Date Code Position (Fig. A)

The date code **8**, which also includes the year of manufacture, is printed into the housing.

Example:

2020 XX XX

Year of Manufacture



## Description (Fig. A)



**WARNING:** Never modify the power tool or any part of it.

Damage or personal injury could result.

- 1 On/off switch
- 2 Air vents
- 3 Kick-off stand
- 4 Air temperature adjustment knob (D26411)  
LCD air temperature indicator and adjuster (D26414)
- 5 Nozzle
- 6 Tool hanging ring
- 7 Heat barrel cover

## Intended Use

Your heat gun has been designed for stripping paint, soldering pipes, shrinking PVC, welding and bending plastics as well as general drying and thawing purposes.

Do not use under wet conditions or in the presence of flammable liquids or gases.

The heat gun is a professional power tool.

Do not let children come into contact with the tool. Supervision is required when inexperienced operators use this tool.

- Young children and the infirm. This appliance is not intended for use by young children or infirm persons without supervision.
- This product is not intended for use by persons (including children) suffering from diminished physical, sensory or mental abilities; lack of experience, knowledge or skills unless they are supervised by a person responsible for their safety. Children should never be left alone with this product.

## ASSEMBLY AND ADJUSTMENTS



**WARNING:** To reduce the risk of serious personal injury, turn tool off and disconnect tool from power source before making any adjustments or removing/installing attachments or accessories. Be sure the trigger switch is in the OFF position. An accidental start-up can cause injury.

## Air Temperature (Fig. A)

### D26411

The air temperature can be adjusted to suit a wide range of applications. Turn the air temperature adjustment knob 4 clockwise or counterclockwise for higher or lower heat.

### D26414

- Press and release the LCD air temperature indicator and adjuster 4 to set the desired temperature in 10 °C increments.
- To continuously increase or decrease the temperature press and hold the LCD air temperature indicator and adjuster 4.
- Release the indicator when desired temperature or minimum/maximum temperature is reached.
- The display shows the actual rising/falling temperature until the desired temperature is reached.

## Set and Forget Temperature Control System D26414

The desired temperature is stored in the memory of the tool. Each time the heat gun is turned on, the heat gun heats to the last temperature setting, with respect to air flow. If unsure about the setting, always start with a low temperature setting and gradually increase the temperature until the desired setting is reached.



## Applications

The table below suggests settings for different applications.

Setting	Applications
Low	<ul style="list-style-type: none"> <li>• Drying paint and varnish</li> <li>• Removing stickers</li> <li>• Waxing and dewaxing</li> <li>• Drying wet timber prior to filling</li> <li>• Shrinking PVC wrapping and insulation tubes</li> <li>• Thawing frozen pipes</li> </ul>
Medium	<ul style="list-style-type: none"> <li>• Welding plastics</li> <li>• Bending plastic pipes and sheets</li> <li>• Loosening rusted or tightly fastened nuts and bolts</li> </ul>
High	<ul style="list-style-type: none"> <li>• Removing paint and lacquer</li> <li>• Soldering plumbing joints</li> <li>• Removing linoleum or vinyl floor tiles</li> </ul>

## To Attach the Correct Accessory

This tool is supplied with a set of accessories for different applications.

Icon	Description	Purpose
	Cone nozzle	Shrink sleeving (heat over concentrated small area)
	50 mm Fish tail surface nozzle	Drying, removing paint, removing vinyl or linoleum, thawing (heat spread over wide area)

1. Make sure the on/off switch 1 is in position O and the tool is disconnected from the power source. Ensure the nozzle has cooled down.
2. Place the desired accessory onto the nozzle.

## OPERATION

### Instructions for Use



**WARNING:** Always observe the safety instructions and applicable regulations.



**WARNING:** To reduce the risk of serious personal injury, turn tool off and disconnect tool from power source before making any adjustments or removing/installing attachments or accessories. An accidental start-up can cause injury.



**WARNING:** Make sure the nozzle always points away from you and any bystanders.



**WARNING:** DO NOT drop anything into the nozzle.

## Proper Hand Position (Fig. B, C)



**WARNING:** To reduce the risk of serious personal injury, **ALWAYS** use proper hand position as shown.



**WARNING:** To reduce the risk of serious personal injury, **ALWAYS** hold securely in anticipation of a sudden reaction.



**WARNING:** Do not place your other hand over the air vents (Fig. C).

Proper hand position requires one hand holding the tool as shown in Figure B.

## Prior to Operation

1. Attach the correct accessory recommended for the application.
2. Turn the air temperature adjustment knob/LCD air temperature indicator and adjuster **4** to desired air temperature.

## Switching On and Off (Fig. D)

1. Push the on/off switch **1** to the desired air flow settings:
  - I: 240 liter/min (50 °C–400 °C)
  - 250 liter/min (50 °C–400 °C) (D26414)
  - A low air flow to heat up the workpiece slowly.
  - II: 450 liter/min (50 °C–600 °C)
  - 500 liter/min (50 °C–600 °C) (D26414)
  - A high air flow to heat up the workpiece quickly.
2. To turn the tool off, push the on/off switch **1** to position O. Disconnect the tool from the power source and let the tool cool down before moving or storing it.

## Removing Paint



**WARNING:** Refer to **Important Notice** under **Additional Safety Instructions for Heat Guns** before using the tool to remove paint.



**WARNING:** Do not strip metal window frames as the heat may crack the glass.

- When stripping other window frames, use a glass protection nozzle.
- To prevent igniting the surface, do not keep the tool directed at one spot too long.
- Avoid collecting paint on the scraper accessory, as it may ignite. If necessary, carefully remove paint debris from the scraper accessory using a knife.

1. Attach the appropriate accessory.
2. Turn the air temperature adjustment knob/LCD air temperature indicator and adjuster **4** to high.
3. Turn the tool on by selecting the desired air flow.
4. Direct the hot air onto the paint to be removed.  
Best results will be achieved if the heat gun is moved slowly,

but CONSTANTLY, from side to side to evenly distribute heat. DO NOT LINGER OR PAUSE IN ONE SPOT.

5. When the paint softens, scrape the paint away using a hand scraper.

**REMEMBER:** Splinters and small particles of stripped paint can be ignited and blown through holes and cracks in the surface being stripped.

## Stationary Use (Fig. A)

This tool can also be used in stationary mode.

1. Fold down the kickstand **3** as shown in Figure A.
2. Set the tool onto a level, stable workbench. Ensure the tool will not tip over.
3. Secure the power cord to prevent entanglement or pulling the tool off the workbench.
4. Turn the tool on by selecting the desired air flow.

## Constant Heat Control (Overload Protection)

When the tool is overloaded, this feature protects the heating element from damage without stopping the tool and/or without a cool down period.

1. When the temperature gets too hot, the heating element switches itself off. The motor will continue to run and produce cold air.
2. When the temperature has cooled sufficiently (taking only a few seconds) the heating element will switch on automatically.

## Tool Ring (Fig. A)



**WARNING: ALWAYS** turn heat gun off, disconnect from the power source and let the tool cool down for at least 30 minutes before moving or storing it.

For easy storage, the tool can hang from the tool ring **6**. The heat gun should be stored indoors.

## Cool Down Period

The nozzle and accessory becomes very hot during use. Turn heat gun off, disconnect from the power source and let the tool cool down for at least 30 minutes before moving or storing it.

**NOTE:** To reduce the cooling time, switch the tool on at the lowest air temperature setting and let it run for a few minutes before turning the heat gun off.

## MAINTENANCE

Your power tool has been designed to operate over a long period of time with a minimum of maintenance. Continuous satisfactory operation depends upon proper tool care and regular cleaning.



**WARNING: To reduce the risk of serious personal injury, turn tool off and disconnect tool from power source before making any adjustments or removing/installing attachments or accessories. An accidental start-up can cause injury.**



## Lubrication

Your power tool requires no additional lubrication.



## Cleaning



**WARNING:** Blow dirt and dust out of the main housing with dry air as often as dirt is seen collecting in and around the air vents. Wear approved eye protection and approved dust mask when performing this procedure.



**WARNING:** Never use solvents or other harsh chemicals for cleaning the non-metallic parts of the tool. These chemicals may weaken the materials used in these parts. Use a cloth dampened only with water and mild soap. Never let any liquid get inside the tool; never immerse any part of the tool into a liquid.

## Optional Accessories



**WARNING:** Since accessories, other than those offered by DEWALT, have not been tested with this product, use of such accessories with this tool could be hazardous. To reduce the risk of injury, only DEWALT recommended accessories should be used with this product.

Consult your dealer for further information on the appropriate accessories.

## Protecting the Environment



Separate collection. Products marked with this symbol must not be disposed of with normal household waste.

Products contain materials that can be recovered or recycled reducing the demand for raw materials.

Please recycle electrical products according to local provisions. Further information is available at [www.2helpU.com](http://www.2helpU.com).

# ПИСТОЛЕТ ГОРЯЧЕГО ВОЗДУХА

## D26411, D26414

### Поздравляем!

Вы приобрели инструмент DeWALT. Многолетний опыт, тщательная разработка изделий и инновации делают компанию DeWALT одним из самых надёжных партнеров для пользователей профессионального электроинструмента.

### Технические характеристики

		D26411	D26414
Напряжение	Вперем. <sub>тока</sub>	220-240	220-240
Великобритания и Ирландия	Вперем. <sub>тока</sub>	230/115	230/115
Тип		1	1
Потребляемая мощность	Вт	1800	2000
Входное напряжение (115 В)	Вт	1600	1600
Диапазон температуры потока воздуха (в сопле)	°С	50–400 и 50–600	50–400 и 50–600
Вес	кг	0,65	0,71



**ВНИМАНИЕ:** Во избежание риска получения травм ознакомьтесь с инструкцией.

### Обозначения: правила техники безопасности

Ниже описывается уровень опасности, обозначаемый каждым из предупреждений. Прочитайте руководство и обратите внимание на данные символы.



**ОПАСНО:** Обозначает опасную ситуацию, которая неизбежно приведет к **серьезной травме или смертельному исходу**, в случае несоблюдения соответствующих мер безопасности.



**ВНИМАНИЕ:** Указывает на потенциально опасную ситуацию, которая, в случае несоблюдения соответствующих мер безопасности, может привести к **серьезной травме или смертельному исходу**.



**ПРЕДУПРЕЖДЕНИЕ:** Указывает на потенциально опасную ситуацию, которая, в случае несоблюдения соответствующих мер безопасности **может** стать причиной травм **средней или легкой степени тяжести**.

**ПОЯСНЕНИЕ:** Указывает на практики, использование которых не связано с получением травмы, но если ими пренебречь, могут привести к **порче имущества**.



Указывает на риск поражения электрическим током.



Указывает на риск возгорания.

## ОБЩИЕ ПРАВИЛА ТЕХНИКИ БЕЗОПАСНОСТИ ПРИ ИСПОЛЬЗОВАНИИ ЭЛЕКТРОИНСТРУМЕНТОВ



**ВНИМАНИЕ:** Прочитайте и просмотрите все предупреждения, инструкции, иллюстрации и спецификации по данному электроинструменту. Несоблюдение всех приведенных ниже инструкций может стать причиной поражения электрическим током, возгорания и/или тяжелой травмы.

### СОХРАНИТЕ ВСЕ ИНСТРУКЦИИ ДЛЯ ПОСЛЕДУЮЩЕГО ИСПОЛЬЗОВАНИЯ

Термин «электроинструмент» в предупреждениях относится к работающим от сети (проводным) электроинструментам или работающим от аккумуляторной батареи (беспроводным) электроинструментам.

#### 1) Безопасность на рабочем месте

- Следите за чистотой и хорошим освещением на рабочем месте.** Захламленное или плохо освещенное рабочее место может стать причиной несчастного случая.
- Запрещается работать с электроинструментами во взрывоопасных местах, например, вблизи легковопламеняющихся жидкостей, газов и пыли.** Искры, которые появляются при работе электроинструментов могут привести к воспламенению пыли или паров.
- Следите за тем, чтобы во время работы с электроинструментом в зоне работы не было посторонних и детей.** Отвлекаясь от работы вы можете потерять контроль над инструментом.

#### 2) Электробезопасность

- Штепсельная вилка электроинструмента должна соответствовать розетке. Никогда не меняйте вилку инструмента. Запрещается использовать переходники к вилкам для электроинструментов с заземлением.** Использование оригинальных штепсельных вилок, соответствующих типу сетевой розетки снижает риск поражения электрическим током.
- Избегайте контакта с заземленными поверхностями, такими как трубы, радиаторы и холодильники.** Если вы будете заземлены, увеличивается риск поражения электрическим током.
- Запрещается оставлять электроинструмент под дождем и в местах повышенной влажности.** При попадании воды в электроинструмент риск поражения электротоком возрастает.

d) **Берегите кабель от повреждений. Никогда не используйте кабель для переноски инструмента, не тяните за него, пытаясь отключить инструмент от сети. Держите кабель подальше от источников тепла, масла, острых углов или движущихся предметов.**

Поврежденный или запутанный кабель питания повышает риск поражения электрическим током.

e) **При работе с электроинструментом на открытом воздухе используйте удлинитель, подходящий для использования на улице.**

Использование кабеля питания, предназначенного для использования вне помещения, снижает риск поражения электрическим током.

f) **Если использование электроинструмента в условиях повышенной влажности неизбежно, используйте устройства защитного отключения (УЗО) для защиты сети.**

Использование УЗО сокращает риск поражения электрическим током.

### 3) Обеспечение индивидуальной безопасности

a) **Будьте внимательны, смотрите, что делаете и не забывайте о здравом смысле при работе с электроинструментом. Запрещается работать с электроинструментом в состоянии усталости, наркотического, алкогольного опьянения или под воздействием лекарственных препаратов.** Невнимательность при работе с электроинструментом может привести к серьезным телесным повреждениям.

b) **Используйте индивидуальные средства защиты. Всегда используйте защитные очки.** Средства защиты, такие как пылезащитная маска, обувь с нескользящей подошвой, каска и защитные наушники, используемые при работе, уменьшают риск получения травм.

c) **Примите меры для предотвращения случайного включения. Перед тем как подключить электроинструмент к сети и/или аккумуляторной батарее, взять инструмент или перенести его на другое место, убедитесь в том, что выключатель находится в положении «Выкл.».** Если при переноске электроинструмента он подключен к сети, и при этом ваш палец находится на выключателе, это может стать причиной несчастных случаев.

d) **Уберите все регулировочные или гаечные ключи перед включением электроинструмента.** Ключ, оставленный на вращающейся части электроинструмента, может привести к травме.

e) **Не пытайтесь дотянуться до слишком удаленных поверхностей. Обувь должна быть удобной, чтобы вы всегда могли сохранять равновесие.** Это позволит лучше контролировать электроинструмент в непредвиденных ситуациях.

f) **Одевайтесь соответствующим образом. Избегайте носить свободную одежду**

**и ювелирные украшения. Следите за тем, чтобы волосы и одежда не попадали под движущиеся детали.** Возможно наматывание свободной одежды, ювелирных изделий и длинных волос на движущиеся детали.

g) **При наличии устройств для подключения оборудования для удаления и сбора пыли необходимо обеспечить правильность их подключения и эксплуатации.** Использование устройства для пылеудаления сокращает риски, связанные с пылью.

h) **Не позволяйте хорошему знанию от частого использования инструментов стать причиной самонадеянности и игнорирования правил техники безопасности.** Небрежное действие может повлечь серьезные травмы за долю секунды.

### 4) Эксплуатация электроинструмента и уход за ним

a) **Избегайте чрезмерной нагрузки электроинструмента. Используйте электроинструмент в соответствии с назначением.** Правильно подобранный электроинструмент выполнит работу более эффективно и безопасно при стандартной нагрузке.

b) **Не пользуйтесь инструментом, если не работает выключатель.** Любой инструмент, управлять выключением и включением которого невозможно, опасен, и его необходимо отремонтировать.

c) **Перед выполнением любых настроек, сменной аксессуаров или прежде чем убрать инструмент на хранение, отключите его от сети и/или снимите с него аккумуляторную батарею, если ее можно снять.** Такие превентивные меры безопасности сокращают риск случайного включения электроинструмента.

d) **Храните электроинструмент в недоступном для детей месте и не позволяйте работать с инструментом людям, не имеющим соответствующих навыков работы с такого рода инструментами.** Электроинструмент представляет опасность в руках неопытных пользователей.

e) **Поддерживайте электроинструмент и принадлежности в исправном состоянии. Проверьте, не нарушена ли центровка или не заклинены ли движущиеся детали, нет ли повреждений или иных неисправностей, которые могли бы повлиять на работу электроинструмента. В случае обнаружения повреждений, прежде чем приступить к эксплуатации электроинструмента, его нужно отремонтировать.** Большинство несчастных случаев происходит из-за электроинструментов, которые не обслуживаются должным образом.

- f) **Содержите режущий инструмент в остро заточенном и чистом состоянии.** Вероятность заклинивания инструмента, за которым следят должным образом и который хорошо заточен, значительно меньше, а работать с ним легче.
- g) **Используйте электроинструменты, принадлежности и насадки в соответствии с данными инструкциями, принимая во внимание условия работы и характер выполняемой работы.** Использование электроинструмента для выполнения операций, для которых он не предназначен, может привести к созданию опасных ситуаций.
- h) **Все рукоятки и поверхности захватывания должны быть сухими и без следов смазки.** Скользкие рукоятки и поверхности захватывания не позволяют обеспечить безопасность работы и управления инструментом в непредвиденных ситуациях.

## 5) Обслуживание

- a) **Обслуживание электроинструмента должен проводить квалифицированный специалист с использованием только оригинальных запасных частей.** Это позволит обеспечить безопасность обслуживаемого электрифицированного инструмента.

## Правила техники безопасности для пистолетов горячего воздуха

При неосторожном использовании инструмента возможно возникновение пожара. Поэтому:

- Учтите, что тепло может передаваться на легковоспламеняющиеся материалы, которые находятся вне поле зрения. **ЗАПРЕЩАЕТСЯ** использовать во влажной атмосфере, где могут присутствовать горючие газы или рядом с легковоспламеняющимися материалами.
- **НЕ НАПРАВЛЯЙТЕ** а одно место слишком долго.
- **НЕ ИСПОЛЬЗУЙТЕ** во взрывоопасной среде.
- Перед тем, как убрать инструмент на хранение, поставьте его на подставку и позвольте ему остыть.
- **ЗАПРЕЩАЕТСЯ** оставлять включенный инструмент без присмотра.
- **ЗАПРЕЩАЕТСЯ** закрывать руками или любым образом блокировать вентиляционные отверстия.
- Во время работы сопло и насадка инструмента сильно нагреваются. Перед тем, как прикоснуться к этим деталям, позвольте им остыть.
- **ВСЕГДА** отключайте инструмент перед тем, как положить его.
- Данный инструмент не предназначен для использования лицами (включая детей) с ограниченными физическими, сенсорными или ментальными возможностями, а также лицами без достаточного опыта и знаний, если только они не делают этого под руководством лица имеющего соответствующий опыт и отвечающего за их безопасность.

- Обеспечьте достаточную вентиляцию, так как во время работы могут образоваться токсичные испарения.
- **ЗАПРЕЩАЕТСЯ** использовать в качестве фена для сушки волос.
- **ЗАПРЕЩАЕТСЯ** закрывать вход воздуха или выход сопла, так как это может привести к чрезмерному перегреву и повреждению инструмента.
- **ЗАПРЕЩАЕТСЯ** направлять поток горячего воздуха на окружающих.
- **ЗАПРЕЩАЕТСЯ** прикасаться к металлическому соплу, так как оно сильно нагревается во время работы, и сохраняет тепло до 30 минут после использования.
- **ЗАПРЕЩАЕТСЯ** класть сопло на предметы во время работы или сразу после ее завершения.
- **ЗАПРЕЩАЕТСЯ** вставлять пальцы или предметы в сопло, так как это может привести к поражению электрическим током. Запрещается смотреть в сопло во время работы инструмента по причине выпуска потока воздуха высокой температуры.
- **НЕ** позволяйте краске налипать на сопло или скребок, так как она может воспламениться через некоторое время.
- **ЗАПРЕЩАЕТСЯ** снимать крышку теплового ствола во время работы.

## Дополнительные правила техники безопасности для пистолетов горячего воздуха

- Во избежание риска взрыва, **ЗАПРЕЩАЕТСЯ** использовать пистолет горячего воздуха в камерах для окрашивания распылителем или в 3,0 м от работ с распылением краски.
- **ЗАПРЕЩАЕТСЯ использовать данный инструмент для удаления краски, содержащей свинец.** Осыпания, остатки и пары краски могут содержать ядовитый для людей свинец.
- Горючие материалы, находящиеся вне зоны видимости, например, за стенами, потолками, полами, нижними поверхностями конструкций и другими панелями, могут воспламениться во время работы пистолета горячего воздуха. Воспламенение этих материалов может быть не сразу заметно, и может привести к материальному ущербу и травмам. При работе в таких местах, двигайте пистолетом горячего воздуха взад-вперед. Задержка или пауза на одном месте может воспламенить панель или материал за ней.
- **ПРИМЕЧАНИЕ:** Пистолеты горячего воздуха могут создавать температуры, превышающие 550 °C.
- **ЗАПРЕЩАЕТСЯ** использовать инструмент для разогрева продуктов питания.
- **ЗАПРЕЩАЕТСЯ** класть пистолет горячего воздуха на легковоспламеняющиеся поверхности во время работы или сразу после выключения.
- Убедитесь, что передвижные предметы надежно закреплены при скребке.

- Обязательно направляйте поток горячего воздуха в безопасном направлении, вдали от других людей или легковоспламеняющихся предметов.
- **ДЕРЖИТЕ ПАЛЬЦЫ В СТОРОНЕ ОТ МЕТАЛЛИЧЕСКОГО СОПЛА;** оно сильно нагревается во время работы, и остается горячим до 30 минут после использования. Надевайте защитные перчатки, чтобы защитить руки.
- **ВСЕГДА** держите сопло в стороне от кабеля.
- Щепки или мелкие частицы счищенной краски могут воспламениться и быть продутыми в щели и трещины на очищаемой поверхности.
- **ЗАПРЕЩАЕТСЯ** сжигать краску. Используйте скребок и держите сопло на расстоянии не менее 25 мм от покрашенной поверхности. При работе в вертикальном направлении, работайте сверху вниз, чтобы краска не падала в инструмент и не горела.
- **ВСЕГДА** используйте скребки и очистные ножи хорошего качества.
- **ЗАПРЕЩАЕТСЯ** использовать пистолет горячего воздуха в сочетании с химическими средствами удаления.
- **ЗАПРЕЩАЕТСЯ** использовать сопла с принадлежностями как скребки.
- **ЗАПРЕЩАЕТСЯ** направлять поток воздуха из пистолета горячего воздуха на стекло. Стекло может треснуть, что может привести к материальному ущербу и травмам.
- Содержите этикетки и паспортные таблички в хорошем состоянии. На них находится важная информация.
- Ставьте пистолет горячего воздуха на устойчивую ровную поверхность, когда не держите его в руках. Располагайте кабель таким образом, чтобы он не стал причиной опрокидывания пистолета.
- Всегда помните, что этот инструмент может воспламенить горючие материалы, и размягчить или расплавить другие. Закрывайте такие материалы или держите пистолет горячего воздуха на расстоянии от них, вне зависимости от выполняемой вами работы.
- Иногда после выключения инструмента может образоваться немного дыма. Это происходит из-за нагрева остатков масла, которым покрыт нагревательный элемент во время производственного процесса.
- **Используйте средства защиты глаз и другие средства индивидуальной защиты.**

## Удаление краски



**ВНИМАНИЕ:** Соблюдайте особую осторожность при удалении краски.

Перед выполнением любой работы по удалению краски, необходимо определить, содержит ли удаляемая краска свинец. **КРАСКИ НА ОСНОВЕ СВИНЦА ДОЛЖНЫ УДАЛЯТЬСЯ ТОЛЬКО СПЕЦИАЛИСТОМ И НЕ ДОЛЖНЫ УДАЛЯТЬСЯ ПИСТОЛОМ ГОРЯЧЕГО ВОЗДУХА.**

Персонал, удаляющий краску, должен соблюдать данные указания:

1. Переместите заготовку вне помещения. Если это невозможно, обеспечьте достаточную вентиляцию рабочего места. Откройте окна и поставьте в одно из них вытяжной вентилятор. Убедитесь, что вентилятор вытягивает воздух из помещения наружу.
2. Уберите или закройте ковры, коврики, мебель, одежду, кухонные принадлежности и воздуховоды.
3. Покройте рабочее место защитной пленкой, чтобы собрать любые кусочки или отслоения краски. Носите защитную одежду, например, дополнительные рабочие рубашки, комбинезоны и шапки.
4. Работайте в одной комнате за раз. Мебель следует убрать или поместить в центр комнаты и закрыть. Запечатайте дверь защитной пленкой, чтобы рабочее место было закрыто должным образом от остальной жилой площади.
5. Дети, беременные или возможно беременные, кормящие женщины не должны находиться на рабочем месте, пока работа не выполнена и помещение не очищено полностью.
6. Надевайте пылезащитную респираторную маску или респираторную маску с двойным фильтром (пыль и испарения). Убедитесь, что маска надежно закреплена на лице. Усы и борода могут помешать правильному креплению маски. Часто заменяйте фильтры. **НЕ ИСПОЛЬЗУЙТЕ ОДНОРАЗОВЫЕ БУМАЖНЫЕ МАСКИ.**
7. Соблюдайте осторожность при использовании пистолета горячего воздуха. Не задерживайте пистолет горячего воздуха на одном участке, так как перегрев создаст испарения, которые может вдохнуть оператор.
8. Держите продукты питания и питьевые жидкости вне рабочего места. Промойте ладони, руки и лицо и прополощите рот, перед тем как поесть или попить. Не курите и не жуйте жвачку или табак на рабочем месте.
9. Очистите всю удаленную краску и пыль, протирая полы влажной шваброй. Протрите все стены, пороги и другие поверхности, где может осесть краска или пыль, влажной тряпкой. **НЕ ПОДМЕТАЙТЕ, НЕ СОБИРАЙТЕ СУХУЮ ПЫЛЬ И НЕ ПЫЛЕСОСЬТЕ.** Используйте чистящие средства с высоким содержанием фосфата или тринатрийфосфата (TSP) для очистки рабочего места.
10. После завершения работы, положите кусочки краски и мусор в двойной полиэтиленовый пакет, закройте его лентой или зажимом-закруткой, и утилизируйте его надлежащим образом.
11. Снимайте защитную одежду и рабочую обувь на рабочем месте, чтобы не занести пыль в остальную жилую площадь. Стирайте рабочую одежду отдельно. Вытирайте обувь влажной тряпкой, которую затем стирайте вместе с рабочей одеждой. Тщательно промывайте волосы и тело мылом и водой.

## ВАЖНОЕ ПРИМЕЧАНИЕ

Данному инструменту необходимо создавать сверхвысокие температуры для эффективного удаления краски. Это значит, что инструмент способен воспламенить бумагу, дерево, краску, остатки лака и схожие материалы.

Когда вы наберете опыт обращения с инструментом и выработайте правильные методы работы, риск случайного возгорания существенно снизится. Лучший способ выработать правильные методы – ПРАКТИКА! Выполняйте простые работы по удалению, желательно вне помещений, пока вы не почувствуете, как необходимо использовать инструмент безопасно и эффективно.

## Обязательно соблюдайте следующие процедуры безопасности во время практики

- Всегда проверяйте, что инструмент выключен и отсоединен от источника питания, оставляя его без присмотра.
- Регулярно чистите очистные лезвия во время работы. Остатки материала на лезвии могут воспламениться.
- Найдите оптимальную дистанцию от сопла инструмента до обрабатываемой поверхности. Обычно эта дистанция в пределах от 25,4 мм до 50,8 мм, в зависимости от удаляемого материала.
- Всегда двигайте пистолет горячего воздуха впереди очистных лезвий.
- Регулярно убирайте кусочки краски, образующиеся на рабочем месте в процессе работы.
- При работе в помещении, держите пистолет горячего воздуха на расстоянии от занавесок, бумаги, обивки и схожих горючих материалов.
- Помните, что данный профессиональный инструмент способен давать отличные результаты при правильном использовании. Практикуйтесь на простых проектах, пока не освоитесь с инструментом. Только тогда можно сказать, что вы овладели правильными методами работы.

## Остаточные риски



**ОСТОРОЖНО!** Рекомендуется использовать устройство защитного отключения (УЗО) с током утечки до 30 мА.

Несмотря на соблюдение соответствующих инструкций по технике безопасности и использование предохранительных устройств, некоторые остаточные риски невозможно полностью исключить. А именно:

- ухудшение слуха;
- риск травм от разлетающихся частиц;
- риск получения ожогов в результате нагревания инструмента в процессе работы;
- риск получения травмы в результате продолжительной работы.

## СОХРАНИТЕ НАСТОЯЩЕЕ РУКОВОДСТВО

## Электробезопасность

Электродвигатель рассчитан на работу только при одном напряжении сети. Необходимо обязательно убедиться в том, что напряжение источника питания соответствует указанному на шильдике устройства. Необходимо также убедиться в том, что напряжение работы зарядного устройства соответствует напряжению в сети.



Зарядное устройство DeWALT оснащено двойной изоляцией в соответствии с требованиями EN60745; поэтому провод заземления не требуется.

В случае повреждения кабеля питания его необходимо заменить специально подготовленным кабелем, который можно приобрести в сервисных центрах DeWALT.

## Использование удлинительного кабеля

Используйте удлинитель только в случаях крайней необходимости. Используйте только утвержденные удлинители промышленного изготовления, рассчитанные на мощность не меньшую, чем потребляемая мощность зарядного устройства (см. **Технические характеристики**). Минимальное поперечное сечение провода электрического кабеля должно составлять 1 мм<sup>2</sup>; максимальная длина 30 м. При использовании кабельного барабана всегда полностью разматывайте кабель.

## Комплектация поставки

В комплектацию входит:

- 1 Пистолет горячего воздуха
  - 1 Набор насадок
  - 1 Руководство по эксплуатации
- Проверьте инструмент, детали и дополнительные принадлежности на наличие повреждений, которые могли произойти во время транспортировки.
  - Перед началом работы необходимо внимательно прочитать настоящее руководство и принять к сведению содержащуюся в нем информацию.

## Маркировка на инструменте

На инструмент нанесены следующие обозначения:



Перед началом работы прочтите руководство по эксплуатации.



Используйте защитные наушники.



Используйте защитные очки.

## Место положения кода даты (Рис. [Fig.] A)

Код даты **8**, который также включает в себя год изготовления, отштампован на поверхности корпуса инструмента.

Пример:

2020 XX XX  
Год изготовления



## Описание (Рис. А)



**ВНИМАНИЕ:** *Никогда не вносите изменения в конструкцию электроинструмента или какой-либо его части. Это может привести к повреждению или травме.*

- 1 Клавиша пускового выключателя
- 2 Вентиляционные прорези
- 3 Откидная подставка
- 4 Рукоятка регулировки температуры потока воздуха (D26411)  
Светодиодный индикатор и регулятор температуры (D26414)
- 5 Сопло
- 6 Подвесное кольцо
- 7 Крышка теплового ствола

### Назначение

Ваш пистолет горячего воздуха предназначен для удаления краски, паяния труб, термоусадки ПВХ, сварки и изгибания пластика, а так же для сушения и оттаивания материалов.

Не используйте в условиях повышенной влажности или поблизости от легковоспламеняющихся жидкостей или газов.

Данный пистолет горячего воздуха является профессиональным электроинструментом.

Не допускайте детей к инструменту. Использование инструмента неопытными пользователями должно происходить под контролем опытного лица.

- Данный инструмент не предназначен для использования лицами (включая детей) с ограниченными физическими, психическими и умственными возможностями, не имеющими опыта, знаний или навыков работы с ним, если они не находятся под наблюдением лица, ответственного за их безопасность. Никогда не оставляйте детей без присмотра с этим инструментом.

## СБОРКА И РЕГУЛИРОВКА



**ВНИМАНИЕ:** *Чтобы снизить риск получения серьезной травмы, необходимо выключить инструмент и отсоединить батарею, прежде чем выполнять какую-либо регулировку либо удалять/устанавливать какие-либо насадки или дополнительные принадлежности.*

*Случайный запуск может привести к травме.*



**ВНИМАНИЕ:** *Используйте только зарядные устройства и аккумуляторные батареи марки DeWALT.*

## Температура потока воздуха (Рис. А)

### D26411

Температура потока воздуха может регулироваться в соответствии с применением. Поверните рукоятку регулировки температуры потока воздуха 4 по или против часовой стрелки, чтобы увеличить или уменьшить температуру.

### D26414

- Нажмите и отпустите светодиодный индикатор и регулятор температуры 4, чтобы установить нужную температуру с шагом в 10 °С.
- Для непрерывного увеличения или уменьшения температуры нажмите и удерживайте светодиодный индикатор и регулятор температуры 4.
- Отпустите индикатор, когда будет достигнута желаемая или минимальная/максимальная температура.
- На дисплее отображается фактическая температура повышения/понижения до достижения желаемой температуры.

## Система управления температурой с памятью настройки

### D26414

Нужная температура хранится в памяти инструмента.

Каждый раз при включении пистолет горячего воздуха будет нагреваться до последней заданной температуры потока воздуха. Если вы не уверены в настройке, всегда начинайте с низкой температуры и постепенно увеличивайте температуру, пока не будет достигнута нужная настройка.



## Виды применения

В приведенной ниже таблице указаны рекомендованные установки в зависимости от различных применений.

Настройка	Виды применения
Низкая температура	<ul style="list-style-type: none"> <li>• Сушение краски и лака</li> <li>• Удаление наклеек</li> <li>• Вошение и удаление воска</li> <li>• Сушка сырой древесины перед шпательованием</li> <li>• Термоусадка ПВХ-защитных покрытий и изоляционных труб</li> <li>• Оттаивание оледенелых труб</li> </ul>
Средняя температура	<ul style="list-style-type: none"> <li>• Сварка пластика</li> <li>• Гибка пластмассовых труб и слоистых пластиков</li> <li>• Ослабление ржавых или сильно затянутых гаек и болтов</li> </ul>
Высокая температура	<ul style="list-style-type: none"> <li>• Удаление краски и лака</li> <li>• Пайка стыковых соединений трубопровода</li> <li>• Удаление линолеумной или виниловой плитки для пола</li> </ul>

## Правильный выбор насадки



В комплект поставки данного инструмента входит набор насадок для различных видов работ.

Символ	Описание	Целевое назначение
	Конусная насадка	Термоусадка (нацеленный нагрев небольшого участка)
	Широкая насадка 50 мм	Сушка, удаление краски, удаление винила или линолеума, оттаивание (нагрев по широкому участку)




1. Убедитесь, что клавиша пускового выключателя ❶ находится в положении «O» и инструмент отсоединен от источника питания. Убедитесь, что сопло остыло.
2. Установите необходимую насадку на сопло.

## ЭКСПЛУАТАЦИЯ

### Инструкции по использованию

-  **ВНИМАНИЕ:** Всегда следуйте указаниям действующих норм и правил безопасности.
-  **ВНИМАНИЕ:** Чтобы снизить риск получения серьезных травм, выключайте инструмент и отключайте его от сети перед тем, как выполнять какие-либо настройки или снимать/устанавливать насадки или принадлежности. Случайный запуск может привести к травме.

### Правильное положение рук во время работы (Рис. В, С)

-  **ВНИМАНИЕ:** Для уменьшения риска получения тяжелой травмы, **ВСЕГДА** правильно удерживайте инструмент, как показано на рисунке.
-  **ВНИМАНИЕ:** Для уменьшения риска получения тяжелой травмы, **ВСЕГДА** надёжно удерживайте инструмент, предупреждая внезапные сбои в работе.
-  **ВНИМАНИЕ:** Не кладите другую руку на вентиляционные прорези (Рис. С).

При правильном положении рук, одна рука должна удерживать инструмент, как показано на Рисунке В.

### Подготовка к эксплуатации

1. Установите насадку, рекомендованную для выполняемой работы.
2. Поверните рукоятку регулировки температуры потока воздуха/светодиодный индикатор и регулятор температуры ❹ на нужную настройку температуры.

### Включение и выключение (Рис. D)

1. Нажмите на клавишу пускового выключателя ❶ с нужной настройкой потока воздуха:
  - I: 240 л/мин. (50 °C–400 °C)
  - 250 л/мин. (50 °C–400 °C) (D26414)

Уменьшенный поток воздуха для медленного



нагрева заготовки.

- II: 450 л/мин. (50 °C–600 °C)
- 500 л/мин. (50 °C–600 °C) (D26414)

Увеличенный поток воздуха для быстрого нагревания заготовки.

2. Чтобы выключить инструмент, нажмите на клавишу пускового выключателя ❶ с символом «O». Перед хранением инструмента, отсоедините его от источника питания и дайте ему остыть.

### Удаление краски

-  **ВНИМАНИЕ:** См. «Важное примечание» в разделе «Дополнительные правила техники безопасности для пистолетов горячего воздуха» перед использованием инструмента для удаления краски.
-  **ВНИМАНИЕ:** Не удаляйте краску с металлических оконных рам, так как тепло может повредить стекло.
  - При удалении краски с других оконных рам используйте стеклозащитную насадку.
  - Не держите инструмент слишком долго на одном месте, чтобы избежать возгорания поверхности.
  - Не позволяйте краске скапливаться на скребке, так как она может загореться. Аккуратно снимите остатки краски со скребка с помощью ножа, если это необходимо.

1. Установите нужную насадку.
2. Поверните рукоятку регулировки температуру потока воздуха/светодиодный индикатор и регулятор температуры ❹ на высокую температуру.
3. Включите инструмент, задав необходимый поток воздуха.
4. Направьте поток горячего воздуха на удаляемую краску. Для достижения лучших результатов, двигайте пистолет горячего воздуха медленно, но ПОСТОЯННО, из стороны в сторону для равномерного распределения тепла. **НЕ ЗАДЕРЖИВАЙТЕСЬ И НЕ ОСТАНАВЛИВАЙТЕСЬ НА ОДНОМ МЕСТЕ.**
5. Когда краска размякнет, соскребите ее ручным скребком.

**ПОМНИТЕ:** Щепки или мелкие частицы счищенной краски могут воспламениться и быть продутыми в щели и трещины на очищаемой поверхности.

### Использование в стационарном режиме (Рис. A)

Инструмент возможно использовать в стационарном режиме.

1. Откиньте подставку ❸, как показано на Рисунке А.
2. Поставьте инструмент на ровный, устойчивый верстак. Убедитесь, что инструмент расположен так, чтобы он не мог упасть.

3. Закрепите электрический кабель, чтобы предотвратить запутывание или падение инструмента с верстака.
4. Включите инструмент, задав необходимый поток воздуха.

## Постоянный контроль над температурой (защита от перегрузки)

Когда инструмент перегружен, эта функция защищает нагревательный элемент от повреждений без остановки инструмента и/или без периода охлаждения.

1. Когда температура становится слишком высокой, нагревательный элемент отключается. Двигатель будет продолжать работать и производить холодный воздух.
2. Когда температура достаточно снизится (это займет всего несколько секунд), нагревательный элемент включится автоматически.

## Подвесное кольцо инструмента (Рис. А)

**ВНИМАНИЕ: ВСЕГДА** выключайте пистолет горячего воздуха, отсоединяйте его от источника питания и давайте ему остыть в течение как минимум 30 минут, прежде чем переместить пистолет или убрать на хранение.

Для удобного хранения инструмент можно подвесить за специальное кольцо 6. Пистолет горячего воздуха должен храниться только внутри помещений.

## Период охлаждения

Во время работы сопло и насадка сильно нагреваются. Выключайте пистолет горячего воздуха, отсоединяйте его от источника питания и давайте ему остыть в течение как минимум 30 минут, прежде чем переместить пистолет или убрать на хранение.

**ПРИМЕЧАНИЕ:** Чтобы ускорить остывание инструмента, включите инструмент на минимальной настройке температуры воздуха и позвольте ему поработать несколько минут перед тем, как выключить пистолет горячего воздуха.

## ТЕХНИЧЕСКОЕ ОБСЛУЖИВАНИЕ

Электроинструмент имеет длительный срок эксплуатации и требует минимальных затрат на техобслуживание. Для длительной безотказной работы необходимо обеспечить правильный уход за инструментом и его регулярную очистку.

**ВНИМАНИЕ: Чтобы снизить риск получения серьезных травм, выключайте инструмент и отключайте его от сети перед тем, как выполнять какие-либо настройки или снимать/устанавливать насадки или принадлежности.** Убедитесь, что курковый переключатель находится в положении **ВЫКЛ.** Непреднамеренный запуск инструмента может привести к получению травмы.



## Смазка

Ваш электроинструмент не требует дополнительной смазки.



## Чистка

**ВНИМАНИЕ:** Выдувайте грязь и пыль из корпуса сухим сжатым воздухом по мере видимого скопления грязи внутри и вокруг вентиляционных отверстий. Выполняйте очистку, надев средство защиты глаз и респиратор утвержденного типа.

**ВНИМАНИЕ:** Никогда не используйте растворители или другие агрессивные химические средства для очистки неметаллических деталей инструмента. Эти химикаты могут ухудшить свойства материалов, примененных в данных деталях. Используйте ткань, смоченную в воде с мягким мылом. Не допускайте попадания какой-либо жидкости внутрь инструмента; ни в коем случае не погружайте какую-либо часть инструмента в жидкость.

## Дополнительные принадлежности

**ВНИМАНИЕ:** Поскольку принадлежности, отличные от тех, которые предлагает DEWALT, не проходили тесты на данном изделии, то использование этих принадлежностей может привести к опасной ситуации. Во избежание риска получения травмы, с данным продуктом должны использоваться только рекомендованные DEWALT дополнительные принадлежности.

По вопросу приобретения дополнительных принадлежностей обращайтесь к Вашему дилеру.

## Защита окружающей среды



Отдельные от тех, которые предлагает DEWALT, на маркировке запрещается утилизировать с обычными бытовыми отходами.

Изделия содержат материалы, которые могут быть извлечены или переработаны, снижая потребность в исходном сырье. Пожалуйста, утилизируйте электрические изделия в соответствии с местными нормами. Дополнительная информация доступна по адресу [www.2helpU.com](http://www.2helpU.com).



## Приложение к руководству по эксплуатации электрооборудования для определения месяца производства по номеру текущей календарной недели года

Электрооборудование торговых марок "Dewalt", "Stanley", "Stanley FatMAX", "BLACK+DECKER".

Директивы 2014/30/EU ЕВРОПЕЙСКОГО ПАРЛАМЕНТА И СОВЕТА от 26 февраля 2014 г. "О гармонизации законодательств Государств-членов ЕС в области электромагнитной совместимости", 2006/42/ЕС ЕВРОПЕЙСКОГО ПАРЛАМЕНТА И СОВЕТА от 17 мая 2006 г. "О машинах и оборудовании"; 2014/35/EU ЕВРОПЕЙСКОГО ПАРЛАМЕНТА И СОВЕТА от 26 февраля 2014 г. "О гармонизации законодательств государств-членов в области размещения на рынке электрооборудования, предназначенного для использования в определенных пределах напряжения".  
Серийный выпуск.

**ТОВАР СЕРТИФИЦИРОВАН**

Орган по сертификации "РОСТЕСТ- Москва", Адрес: 119049, г. Москва, улица Житная, д. 14, стр. 1; 117418, Москва, Нахимовский просп., 31 (фактический), Телефон: (495) 1292311, (495) 6682893, Факс: (495) 6682893, E-mail: office@rostest.ru

Изготовитель: Изготовитель: Блэк энд Деккер Холдингс ГмбХ, Германия, 65510, Идштайн, ул. Блэк энд Деккер, 40, тел. +496126212790.

Уполномоченное изготовителем юр.лицо:

ООО "Стэджи Блэк энд Деккер", 117485, город Москва, улица Обручева, дом 30/1, строение 2  
Телефон: + 7 (495) 258-3981, факс: + 7 (495) 258-3984, E-mail: inbox@dewalt.com

Сведения о импортере указаны в сопроводительной документации и/или на упаковке

**Хранение.**

Необходимо хранить в сухом месте, вдали от источников повышенных температур и воздействия солнечных лучей. При хранении необходимо избегать резкого перепада температур. Хранение без упаковки не допускается

**Срок службы.**

Срок службы изделия составляет 5 лет. Не рекомендуется к эксплуатации по истечении 5 лет хранения с даты изготовления без предварительной проверки.

Дата изготовления (код даты) указана на корпусе инструмента.

Код даты, который также включает год изготовления, оштампован на поверхности корпуса изделия.

Пример:

2014 46 XX, где 2014 –год изготовления, 46-неделя изготовления.

Определить месяц изготовления по указанной неделе изготовления можно согласно приведенной ниже таблице.

**Транспортировка.**

Категорически не допускается падение и любые механические воздействия на упаковку при транспортировке.

При разгрузке/погрузке не допускается использование любого вида техники, работающей по принципу зажима упаковки.

**Перечень критических отказов, возможные ошибочные действия персонала.**

Не допускается эксплуатация изделия:

- При появлении дыма из корпуса изделия
- При поврежденном и/или оголенном сетевом кабеле
- при повреждении корпуса изделия, защитной рукоятки
- при попадании жидкости в корпус
- при возникновении сильной вибрации
- при возникновении сильного искрения внутри корпуса

**Критерии предельных состояний.**

- При поврежденном и/или оголенном сетевом кабеле
- при повреждении корпуса изделия

Месяц	Январь	Февраль	Март	Апрель	Май	Июнь	Июль	Август	Сентябрь	Октябрь	Ноябрь	Декабрь	Год производства
Неделя	1	5	9	14	18	23	27	31	36	40	44	49	2018
	2	6	10	15	19	24	28	32	37	41	45	50	
	3	7	11	16	20	25	29	33	38	42	46	51	
	4	8	12	17	21	26	30	34	39	43	47	52	
			13		22			35			48		
Неделя	1	6	10	14	18	23	27	31	36	40	45	49	2019
	2	7	11	15	19	24	28	32	37	41	46	50	
	3	8	12	16	20	25	29	33	38	42	47	51	
	4	9	13	17	21	26	30	34	39	43	48	52	
	5				22			35		44			
Неделя	1	6	10	14	19	23	27	32	36	40	45	49	2020
	2	7	11	15	20	24	28	33	37	41	46	50	
	3	8	12	16	21	25	29	34	38	42	47	51	
	4	9	13	17	22	26	30	35	39	43	48	52	
	5			18			31		44				
Неделя	2	6	10	14	19	23	27	32	36	41	45	49	2021
	3	7	11	15	20	24	28	33	37	42	46	50	
	4	8	12	16	21	25	29	34	38	43	47	51	
	5	9	13	17	22	26	30	35	39	44	48	52	
				18			31		40			1	
Неделя	2	6	10	15	19	23	28	32	36	41	45	49	2022
	3	7	11	16	20	24	29	33	37	42	46	50	
	4	8	12	17	21	25	30	34	38	43	47	51	
	5	9	13	18	22	26	31	35	39	44	48	52	
			14			27			40			1	

# ПІСТОЛЕТ ГАРЯЧОГО ПОВІТРЯ

## D26411, D26414

### Вітаємо вас!

Ви обрали інструмент виробництва компанії DEWALT. Ретельна розробка продукції, багаторічний досвід фірми у виробництві інструментів, різні вдосконалення, все це зробило інструменти DEWALT є одними із найнадійніших помічників для тих, хто використовує електричні інструменти у своїй професії.

### Технічні дані

		D26411	D26414
Напруга	ВАС	220-240	220-240
Великобританія та Ірландія	ВАС	230/115	230/115
Тип		1	1
Вхідна потужність	Вт	1800	2000
Вхідна потужність (115 В)	Вт	1600	1600
Діапазон температури повітря (на соплі)	°С	50–400 та 50–600	50–400 та 50–600
Маса	кг	0,65	0,71



**ПОПЕРЕДЖЕННЯ:** Уважно прочитайте керівництво з експлуатації для зменшення ризику отримання травми.

### Позначення: інструкції з техніки безпеки

Умовні позначення, наведені нижче, описують рівень важливості кожної попереджувальної вказівки. Прочитайте керівництво з експлуатації та зверніть увагу на символи, наведені нижче.



**НЕБЕЗПЕЧНО:** Указує на безпосередню загрозу, яка, якщо її не уникнути, призведе до смерті або серйозної травми.



**ПОПЕРЕДЖЕННЯ:** Вказує на потенційну загрозу, ігнорування якої може призвести до смерті або серйозної травми.



**УВАГА:** Вказує на потенційну загрозу, ігнорування якої може призвести до травми легкої або середньої тяжкості.

**ПРИМІТКА:** Вказує на ситуацію, не пов'язану з особою травмою, ігнорування цієї ситуації може призвести до пошкодження майна.



Вказує на ризик ураження електричним струмом.



Вказує на ризик виникнення пожежі.

### ЗАГАЛЬНІ ПРАВИЛА БЕЗПЕКИ ПРИ ЕКСПЛУАТАЦІЇ ЕЛЕКТРИЧНОГО ІНСТРУМЕНТА



**ПОПЕРЕДЖЕННЯ:** Ознайомтеся з усіма попередженнями, інструкціями з техніки безпеки, зображеннями та специфікаціями,

які поставляються з даним електричним інструментом. Невиконання нижчезазначених інструкцій може призвести до ураження електричним струмом, пожежі та/або серйозних тілесних ушкоджень.

### ЗБЕРІГАЙТЕ ВСІ ПОПЕРЕДЖЕННЯ ТА ІНСТРУКЦІЇ ДЛЯ ПОДАЛЬШОГО ВИКОРИСТАННЯ

Термін «електричний інструмент» в усіх попередженнях стосується використовуваних вами інструментів, що живляться від мережі енергопостачання (з електричним кабелем) або від акумуляторів (без кабелю).

#### 1) Безпека робочої зони

- Робоча зона завжди має бути чистою та добре освітленою.** Захаращена або темна робоча зона призводить до нещасних випадків.
- Не використовуйте електричні інструменти у вибухонебезпечній атмосфері, наприклад поруч із вогнебезпечними рідинами, газами та пилом.** Електричні інструменти створюють іскри, що можуть запалити пил або пар.
- Тримайте дітей та сторонніх подалі під час використання інструмента.** Відвернення уваги може призвести до втрати контролю.

#### 2) Електрична безпека

- Вилка електричного інструмента повинна відповідати розетці. Ніколи жодним чином не змінюйте вилку. Не використовуйте адаптери з замкнутими на землю (заземленими) електричними інструментами.** Немодифіковані вилки та розетки, що підходять до них, зменшують ризик ураження електричним струмом.
- Уникайте контакту тіла з заземленими поверхнями, такими як труби, радіатори, плити та холодильники.** Якщо ваше тіло заземлене, збільшується ризик ураження електричним струмом.
- Не залишайте електричні інструменти під дощем або в умовах підвищеної вологості.** Вода, що потрапляє в електричний інструмент, підвищує ризик ураження електричним струмом.
- Не використовуйте кабель живлення не за призначенням. Ніколи не переносьте, не тягніть та не відключайте електричний інструмент від розетки живлення за допомогою шнура. Тримайте шнур подалі від високої температур, мастила, гострих предметів та рухомих деталей.** Пошкоджені або перекручені шнури підвищують ризик ураження електричним струмом.
- При використанні електричного інструмента на вулиці, використовуйте подовжувальний шнур, що підходить для використання на вулиці.** Використання шнура, що призначений для

використання поза приміщенням, знижує ризик ураження електричним струмом.

- f) **Якщо неможливо уникнути використання електричного інструмента в умовах підвищеної вологості, використовуйте живлення, захищене пристроєм залишкового струму (RCD).** Використання RCD знижує ризик ураження електричним струмом.

### 3) Особиста безпека

- a) **Будьте в стані готовності, дивіться, що ви робите, та будьте розсудливі, працюючи з електричним інструментом. Не використовуйте електричний інструмент, коли ви втомлені або знаходитесь під впливом наркотичних речовин, алкоголю або ліків.** Втрата уваги під час роботи з електричним інструментами може призвести до серйозних травм.
- b) **Використовуйте особисті засоби безпеки. Завжди використовуйте засоби захисту очей.** Засоби безпеки, такі як протипилова маска, неслизькі безпечні черевки, захисний шолом та засоби захисту слухового апарату при використанні для відповідних умов зменшують імовірність особистих травм.
- c) **Уникайте випадкового запуску. Переконайтесь в тому, що вимикач знаходиться в позиції Вимк., перш ніж підключати інструмент до джерела живлення та/або акумулятора, переміщувати або переносити.** Може статися нещасний випадок, коли ви переносите інструмент, тримаючи палець на вимикачі, або підключаєте живлення до вимикача в позиції Увімк.
- d) **Зніміть усі ключі для резулювання або гайкові ключі, перш ніж вмикати електричний інструмент.** Гайковий ключ, що залишився прикріпленим до якоїсь деталі електричного пристрою, що обертається, може призвести до травм.
- e) **Не прикладайте надмірного зусилля. Завжди утримуйте правильну постановку ніг і рівновагу.** Це дає вам змогу краще контролювати інструмент в неочікуваних ситуаціях.
- f) **Одягайтеся відповідним чином. Не вдягайте вільний одяг або прикраси. Тримайте ваше волосся та одяг подалі від рухомих деталей.** Вільний одяг, прикраси або довге волосся можуть зачепитися за рухомі деталі.
- g) **Якщо передбачені пристрої для підключення до засобів виділення та збирання пилу, переконайтесь, що вони правильно підключені та використовуються.** Використання таких пристроїв зменшує ризик виникнення небезпечних ситуацій, що пов'язані з потраплянням пилу.
- h) **Навіть якщо ви добре знаєте інструмент та часто його використовуєте, не розслабляйтесь та не забувайте про принципи**

**техніки безпеки.** Необережні дії можуть за долю секунди призвести до важких тілесних ушкоджень.

### 4) Використання електричного інструмента та догляд за ним

- a) **Не прикладайте надмірних зусиль під час роботи з інструментом. Використовуйте електричний інструмент, який відповідає завданню, що виконується.** Правильно обраний інструмент виконає завдання краще та безпечніше за умов, для яких він був розроблений.
- b) **Не використовуйте інструмент, якщо його неможливо ввімкнути та вимкнути за допомогою вимикача.** Будь-який електричний інструмент, яким неможливо керувати за допомогою вимикача, є небезпечним і має бути відремонтований.
- c) **Якщо вилка змінна, відключіть її від джерела живлення та/або вийміть акумулятор, перш ніж виконувати будь-які налаштування, змінювати додаткове обладнання або зберігати інструмент.** Ці профілактичні заходи зменшують ризик випадкового запуску електричного інструмента.
- d) **Зберігайте вимкнені електричні інструменти в недоступному для дітей місці та не дозволяйте особам, що не знайомі з електричним інструментом або цими інструкціями, використовувати електричний інструмент.** Електричні інструменти є небезпечними, якщо вони використовуються некваліфікованими користувачами.
- e) **Технічне обслуговування електричних інструментів та приладдя. Перевіряйте неспівісність, заїдання рухомих деталей, наявність пошкоджених частин та інших факторів, які можуть впливати на роботу електричного інструмента.** Якщо є пошкодження, відремонтуйте електричний інструмент перед використанням. Нещасні випадки часто є результатом того, що інструмент не пройшов відповідного технічного обслуговування.
- f) **Різальні інструменти мають бути гострими та чистими.** Правильно доглянуті різальні інструменти з гострими різальними кромками мають меншу імовірність заїдання, та ними легше керувати.
- g) **Використовуйте електричний інструмент, додаткові інструменти та деталі інструменту тощо у відповідності до цих інструкцій та відповідно до даного типу електричних інструментів, зважаючи на умови використання та роботу, яка має бути виконана.** Використання електричних інструментів не за призначенням може призвести до виникнення небезпечних ситуацій.
- h) **Всі ручки та поверхні для тримання інструмента мають бути сухими, без залишків мастила.** Слизькі ручки та поверхні

для тримання не дозволяють безпечно працювати та контролювати інструмент у неочікуваних ситуаціях.

## 5) Обслуговування

- a) **Надавайте ваш електричний інструмент для обслуговування кваліфікованим спеціалістом з ремонту та використовуйте тільки ідентичні заміні деталі.** Це забезпечить безпеку електричного пристрою.

## Інструкції з техніки безпеки для пістолетів гарячого повітря

Недотримання правил експлуатації приладу може призвести до займання, тому:

- Тепло може перейти на легкозаймисті матеріали, які знаходяться поза полем зору. **НЕ** використовуйте у вологій атмосфері, де можуть бути присутні легкозаймисті гази чи біля легкозаймистих матеріалів.
- **НЕ** направляйте на одне і те саме місце протягом довгого часу.
- **НЕ** використовуйте у вибухонебезпечному середовищі.
- Встановлюйте пристрій на підставку після використання та залишайте його для охолодження перед зберіганням.
- **НЕ** залишайте ввімкнений інструмент без нагляду.
- **НЕ** кладіть руки на вентиляційні отвори і не блокуйте їх будь-яким чином.
- Сопло і приладдя цього інструменту сильно нагріваються під час роботи. Перш ніж торкатися цих деталей, дайте їм охолонути.
- **ЗАВЖДИ** вимикайте інструмент перед тим, як покласти його на місце.
- Цей пристрій не призначений для використання особами (включаючи дітей) зі зменшеними фізичними, сенсорними або розумовими можливостями, а також особами, яким бракує досвіду або знань, за винятком випадків, коли такі особи працюють під наглядом або отримали інструкції щодо використання пристрою від особи, яка несе відповідальність за їхню безпеку.
- Забезпечте належну вентиляцію, тому що можуть утворюватись токсичні випаровування.
- **НЕ ВИКОРИСТОВУЙТЕ ПРИСТРІЙ** в якості фену для волосся.
- **НЕ** закривайте повітрозабірники та випускні сопла, тому що це може призвести до перегріву пристрою і його пошкодження.
- **НЕ** направляйте потік гарячого повітря на інших людей.
- **НЕ** торкайтеся металевого сопла, тому що воно може стати дуже гарячим під час використання і залишається гарячим приблизно 30 хвилин після використання.
- **НЕ** ставте сопло на будь-які об'єкти під час або відразу після використання.
- **НЕ** вставляйте нічого в сопло, це може призвести до ураження електричним струмом. Не дивіться на сопло під час роботи пристрою через високі температури.

- **НЕ** дозволяйте фарбі залишатися у соплі або на скребку, тому що вона може спалахнути через деякий час.
- **НЕ** знімайте кришку нагрівального барабана під час використання.

## Додаткові правила техніки безпеки для пістолетів гарячого повітря

- Для зниження ризику вибуху **НЕ** використовуйте в кабінах розпилення фарби або на відстані менше 3,0 м від операції розпилення фарби.
- **НЕ використовуйте цей інструмент для видалення фарби, яка містить свинець.** Шматочки, пил та випаровування фарби можуть містити свинець, який є отруйним.
- Приховані ділянки, наприклад, за стінами, стелями, підлогами, перекриттями, панелями софитів та іншими панелями, можуть містити горючі матеріали, які можуть спалахнути при роботі в цих місцях за допомогою пістолета гарячого повітря. Займання цих матеріалів може бути не відразу помітним і привести до матеріальних збитків та травм персоналу. При роботі в таких місцях необхідно постійно рухати пістолет гарячого повітря вперед-назад. Затримка або пауза в одному місці може призвести до займання панелі або матеріалу, що знаходиться за нею.

**ПРИМІТКА:** Ці технічні фени здатні виробляти температуру вище 550 °C.

- **НЕ** використовуйте цей інструмент для нагрівання їжі.
- **НЕ** кладіть технічний фен на легкозаймисті поверхні під час роботи або відразу після вимкнення.
- Тримайте рухомі предмети в надійному положенні під час вискоблювання.
- Переконайтеся, що потік гарячого повітря спрямований у безпечного напрямку – подалі від інших людей і легкозаймистих предметів.
- **ТРИМАЙТЕ ПАЛЬЦІ ПОДАЛІ ВІД МЕТАЛЕВОГО СОПЛА;** воно стає дуже гарячим під час використання і залишається гарячим протягом 30 хвилин після використання. Носіть рукавички для захисту рук.
- **ЗАВЖДИ** тримайте сопло подалі від шнура.
- Уламки і дрібні частинки знятої фарби можуть займатися і видуватися через отвори і тріщини на поверхні, що очищається.
- **НЕ** спалюйте фарбу. Використовуйте скребок з комплекту поставки і тримайте сопло не ближче 25 мм від пофарбованої поверхні. При роботі в вертикальному напрямку працюйте зверху вниз, щоб запобігти потраплянню фарби на інструмент і займання.
- **ЗАВЖДИ** використовуйте високоякісні скребки і ножі для зачищення.
- **НЕ** використовуйте пістолет гарячого повітря в поєднанні з хімічними очищувачами.
- **НЕ** використовуйте додаткові сопла в якості скребоків.
- **НЕ** спрямовуйте повітряний потік пістолета гарячого повітря прямо на скло. Скло може тріснути і може призвести до пошкодження майна або до травм.

- Зберігайте етикетки і фабричні таблички. Вони несуть важливу інформацію.
- Якщо не тримаєте пістолет гарячого повітря в руках, встановіть його на стійку рівну поверхню. Помістіть шнур в таке положення, щоб пістолет гарячого повітря не перекидався.
- Пам'ятайте, що цей інструмент може запалювати легкозаймисті матеріали, пом'якшувати або розплавляти інші. Незалежно від завдання, яке ви виконуєте, захищайте або тримайте пістолет гарячого повітря подалі від цих матеріалів.
- Іноді можна помітити невелике задимлення інструментом після його вимкнення. Це є результатом нагріву залишкового масла, яке осідало на нагрівальному елементі в процесі виробництва.
- **Використовуйте засоби захисту очей та інші засоби захисту.**

## Видалення фарби

**⚠ УВАГА!** Треба бути особливо обережними при зніманні шару фарби.

Перед початком будь-якого процесу видалення фарби необхідно визначити, чи містить ця фарба свинець.

**ФАРБИ НА ОСНОВІ СВИНЦЮ ПОВИННІ ВИДАЛЯТИСЯ ЛИШЕ ПРОФЕСІОНАЛАМИ І НЕ ПОВИННІ ВИДАЛЯТИСЯ ЗА ДОПОМОГОЮ ПІСТОЛЕТА ГАРЯЧОГО ПОВІТРЯ.**

Особи, що знімають фарбу, повинні завжди дотримуватися цих інструкцій:

1. Переконайтеся в заготовку на вулицю. Якщо це неможливо, забезпечте хорошу вентиляцію робочої зони. Відкрийте вікна і вставте в одне з них витяжний вентилятор. Переконайтеся, що вентилятор виводить повітря зсередини назовні.
2. Зніміть або накрийте килима, доріжки, меблі, одяг, кухонний посуд і повітроводи.
3. Покладіть в робочу зону тканини, щоб видалити уламки фарби або лушпиння. Носіть захисний одяг, наприклад, додаткові робочі сорочки, спецодяг і головні убори.
4. Працюйте в одній кімнаті за раз. Меблі слід прибрати або помістити в центр приміщення і накрити. Робочі зони повинні бути ізольовані від решти житла шляхом герметизації дверних прорізів тканиною.
5. Діти, вагітні або можливо вагітні жінки і матері-годувальниці не повинні знаходитися в робочій зоні до завершення робіт і прибирання.
6. Носіть респіраторну маску або маску з подвійним фільтром (пилу і диму). Переконайтеся, що маска підходить. Борода і волосся на обличчі можуть перешкоджати належному приляганню масок. Регулярно міняйте фільтри. **ОДНОРАЗОВІ ПАПЕРОВІ МАСКИ НЕ ПІДХОДЯТЬ.**
7. Будьте обережні при роботі з пістолетом гарячого повітря. Рухайте пістолет гарячого повітря, так як надлишок тепла може призвести до утворення диму, який оператор може бути вдихнути.
8. Не допускайте попадання їжі і напоїв в робочу зону. Вимийте долоні, руки і обличчя і промийте рот перед

вживанням їжі або напоїв. Не паліть, не жуйте жуйку і тютюн в робочій зоні.

9. Приберіть всю видалену фарбу і пил шляхом вологого прибирання підлог. Використовуйте вологу тканину для очищення всіх стін, порогів і будь-якої іншої поверхні, на яку чіпляється фарба або пил. **ЗАБОРОНЕНО ПІДМІТАТИ, ВИДАЛЯТИ ПИЛ НАСУХО АБО ПИЛОСОСОМ.** Для миття і прибирання приміщень використовуйте миючий засіб з високим вмістом фосфатів або тринатріфосфата натрію (TSP).
10. Після закінчення кожного робочого сеансу укладайте уламки фарби і сміття в подвійний пластиковий пакет, заклейте його стрічкою або затисками і утилізуйте належним чином.
11. Знімайте захисний одяг і робоче взуття в робочій зоні, щоб уникнути попадання пилу в іншу частину житла. Періть робочий одяг окремо. Протирайте взуття вологою ганчіркою, яку потім періть разом з робочим одягом. Ретельно вимивайте волосся і тіло водою з милом.

## ВАЖЛИВЕ ПОВІДОМЛЕННЯ

Для ефективного видалення фарби цей інструмент повинен працювати при дуже високих температурах. Як наслідок, очищувач здатний запалювати папір, дерево, залишки фарби і лаку і аналогічні матеріали.

По мірі ознайомлення з інструментом і розробки правильної техніки, небезпека випадкового запалювання значно знижується. При розробці правильної техніки найкраще підходить ПРАКТИКА! Працюйте над простими проектами, переважно на відкритому повітрі, поки не відчуєте, як безпечно і ефективно використовувати свій очищувач.

## На практиці дотримуйтеся наступних правил техніки безпеки

- Завжди перевіряйте, щоб інструмент був вимкнений і відключений від мережі живлення за відсутності нагляду.
- Регулярно очищуйте лезо скребка під час експлуатації. Залишки горючої речовини, що накопичилися на лезі, легко займаються.
- Експериментуйте, щоб знайти оптимальну відстань від сопла інструменту до поверхні, що очищується. Ця відстань варіюється від 25,4 мм до 50,8 мм залежно від матеріалу, що видаляється.
- Завжди тримайте пістолет гарячого повітря попереду леза скребка.
- Під час роботи прибирайте вільні шматки фарби по мірі їх накопичення навколо робочої зони.
- При роботі в приміщенні тримайтеся подалі від штор, паперу, оббивки і подібних легкозаймистих матеріалів.
- Перш за все, пам'ятайте, що це серйозний інструмент, здатний давати відмінні результати при правильному використанні. Практикуйтеся на простих проектах, поки не відчуєте себе комфортно з очищувачем. Тільки тоді ви опануєте правильну техніку використання.



## Залишкові ризики



**УВАГА:** Ми рекомендуємо використовувати пристрій з керуванням диференційним струмом з номінальним значенням диференційного струму 30 мА або менше.

Дотримання всіх правил техніки безпеки та застосування пристроїв безпеки не гарантує уникнення певних залишкових ризиків. До такого переліку належать:

- *Порушення слуху.*
- *Ризик тілесних ушкоджень через частинки, які розлітаються.*
- *Ризик опіків через нагрівання приладдя під час роботи.*
- *Ризик тілесних ушкоджень через занадто тривале використання.*

### ЗБЕРІГАЙТЕ ЦІ ІНСТРУКЦІЇ

## Електрична безпека

Електричний двигун розроблений для роботи лише з одним значенням напруги. Завжди перевіряйте відповідність джерела живлення напрузі, яка вказана на табличці з паспортними даними.



Ваш DeWALT зарядний пристрій має подвійну ізоляцію відповідно до ENтому заземлення не є необхідним.

Якщо кабель живлення пошкоджений, тільки компанія DeWALT або уповноважена сервісна організація може виконувати його заміну.

## Використання електричного подовжувача

Якщо необхідний електричний подовжувач, використовуйте рекомендований 3-жильний подовжуючий шнур, що підходить для споживаної потужності інструменту (див.

**Технічні дані**). Мінімальний розмір провідника становить 1,5 мм<sup>2</sup>; максимальна довжина — 30 м.

При використанні кабельного барабану завжди витягуйте весь кабель.

## Комплект поставки

До комплекту входить:

- 1 Пістолет гарячого повітря
  - 1 Набір приладдя
  - 1 Посібник з експлуатації
- *Перевірте інструмент, деталі та приладдя на пошкодження, що могли виникнути під час транспортування.*
  - *Перед використанням уважно прочитайте та повністю зрозумійте цей посібник.*

## Маркування інструмента

На інструменті є наступні піктограми:



Прочитайте інструкції цього керівництва перед використанням.



Використовуйте засоби захисту органів слуху.



Використовуйте засоби захисту очей.

## Розташування коду дати (Рис. [Fig.] А)

Код дати **8**, що включає також рік виробництва, зазначений на корпусі.

Приклад:

2020 XX XX

Рік виробництва

## Опис (рис. А)



**УВАГА!** Ніколи не модифікуйте електричні інструменти та їх деталі. Це може призвести до пошкодження майна або тілесних ушкоджень.

- 1 Вимикач
- 2 Вентиляційні отвори
- 3 Підставка
- 4 Ручка регулювання температури повітря (D26411)  
ЖК-індикатор і регулятор температури повітря (D26414)
- 5 Сопло
- 6 Кільце для підвішування інструментів
- 7 Кришка нагрівального барабану

## Сфера застосування

Пістолет гарячого повітря призначений для зняття фарби, пайки труб, термоусадки ПВХ, зварювання та згинання пластмас, а також для звичайних робіт з сушки і розморожування.

Не використовуйте за умов підвищеної вологості або в присутності легкозаймистих рідин та газів.

Цей пістолет гарячого повітря є професійним електричним інструментом.

Не дозволяйте дітям підходити на небезпечну відстань та торкатися інструмента. Використання інструмента недосвідченими операторами потребує нагляду.

- Цей пристрій не призначений для використання особами (включаючи дітей) із зниженими фізичними, сенсорними або розумовими можливостями або особами, яким бракує досвіду або знань за винятком випадків, коли такі особи працюють під наглядом особи, яка несе відповідальність за їх безпеку. Не можна залишати дітей наодинці з цим приладом.

## МОНТАЖ ТА НАЛАШТУВАННЯ



**ПОПЕРЕДЖЕННЯ:** Щоб знизити ризик серйозних тілесних ушкоджень, вимкніть інструмент та відключіть акумулятор перед виконанням будь-яких налаштувань або змінням/встановленням додаткового обладнання або приладдя. Випадковий запуск може призвести до травм.



**ПОПЕРЕДЖЕННЯ:** Використовуйте тільки DeWALT акумулятори та зарядні пристрої.

## Температура повітря (рис. А)

### D26411

Температуру повітря можна регулювати відповідно до широкого спектру областей застосування. Повертайте ручку регулювання температури повітря 4 за або проти годинникової стрілки, щоб збільшити або зменшити температуру.

### D26414

- Натисніть і відпустіть ЖК-індикатор і регулятор температури повітря 4, щоб встановити потрібну температуру з кроком 10 °C.
- Для постійного збільшення або зменшення температури натисніть і утримуйте ЖК-індикатор і регулятор температури повітря 4.
- Відпустіть індикатор при досягненні бажаної або мінімальної/максимальної температури.
- На дисплеї відображається фактичне підвищення/пониження температури до досягнення бажаної температури.

## Система керування температурою «Встановив і забув»

### D26414

Бажана температура зберігається в пам'яті інструменту. Кожен раз при увімкненні пістолету гарячого повітря він нагрівається до останньої установки температури, що стосується потоку повітря. Якщо ви не впевнені в налаштуванні, завжди починайте з установки низької температури і поступово збільшуйте її, поки не буде досягнуто бажане значення.



## Застосування

У таблиці нижче наведені налаштування для різних сфер застосування.

Функція	Застосування
Низька	<ul style="list-style-type: none"> <li>• Сушіння фарби та лаку</li> <li>• Видалення наклейок</li> <li>• Нанесення і видалення воску</li> <li>• Сушіння мокрого бруса перед заливкою</li> <li>• Усадка обгортки з ПВХ та ізоляція труб</li> <li>• Розморожування замерзлих труб</li> </ul>
Середня	<ul style="list-style-type: none"> <li>• Зварювання пластмас</li> <li>• Згинання пластикових труб і листів</li> <li>• Ослаблення іржавих або затягнутих гайок і болтів з іржею</li> </ul>
Висока	<ul style="list-style-type: none"> <li>• Видалення фарби та лаку</li> <li>• Пайка сантехнічних з'єднань</li> <li>• Видалення плитки з лінолеуму або вінілу</li> </ul>

## Встановлення правильного приладдя

Цей інструмент поставляється з набором приладдя для різних сфер застосування.

Позначка	Опис	Призначення
	Конусне сопло	Усадковий рукав (нагрівання сконцентрованої невеликої площі)
	Сопло поверхні у вигляді риб'ячого хвоста 50 мм	Сушіння, видалення фарби, вінілу або лінолеуму, розморожування (тепло поширюється на більшу площу)

1. Переконайтеся, що перемикач Увімк./Вимк. 1 знаходиться в положенні О та інструмент відключений від джерела живлення. Переконайтеся, що сопло охолонуло.
2. Встановіть необхідне приладдя на сопло.

## РЕЖИМ РОБОТИ

### Інструкції з використання



**ПОПЕРЕДЖЕННЯ:** Завжди дотримуйтесь усіх інструкцій з техніки безпеки та відповідних норм.



**ПОПЕРЕДЖЕННЯ:** Щоб знизити ризик серйозних травм, вимкніть інструмент та відключіть його від мережі живлення перед виконанням будь-яких налаштувань або змінням/встановленням насадок або приладдя. Випадковий запуск може призвести до травм.

### Належне положення рук (Рис. В, С)



**ПОПЕРЕДЖЕННЯ:** Щоб знизити ризик серйозних травм, **ЗАВЖДИ** правильно розташуйте руки, як показано.



**ПОПЕРЕДЖЕННЯ:** Щоб знизити ризик серйозних травм, **ЗАВЖДИ** надійно тримайте інструмент, щоб попередити випадкову віддачу.



**УВАГА!** Не кладіть іншу руку на вентиляційні отвори (рис. С).

Правильне положення рук передбачає утримання інструменту однією рукою, як показано на рис. В.

### Перед експлуатацією

1. Встановіть відповідне приладдя, рекомендоване для даної сфери застосування.
2. Поверніть регулятор температури повітря / ЖК-індикатор і регулятор температури повітря 4 до потрібної температури повітря.

### Увімкнення та вимкнення (рис. D)

1. Посуньте перемикач Увімк./Вимк. 1 на бажане значення повітряного потоку:
  - I: 240 л/хв. (50 °C–400 °C)
  - 250 л/хв. (50 °C–400 °C) (D26414)
 Слабкий потік повітря для повільного нагрівання заготовки.
  - II: 450 л/хв. (50 °C–600 °C)
  - 500 л/хв. (50 °C–600 °C) (D26414)

Сильний потік повітря для швидкого нагрівання заготовки.

- Для вимкнення інструменту посуňte перемикач Увімк./Вимк. ❶ у положення О. Перед транспортуванням або зберіганням від'єднайте інструмент від джерела живлення і дайте йому охолонути.

## Видалення фарби

**⚠ УВАГА!** Перед використанням інструменту для видалення фарби ознайомтеся з розділом **Важливе повідомлення в розділі Додаткові інструкції з техніки безпеки для пістолетів гарячого повітря**.

**⚠ УВАГА!** Не знімайте фарбу з металевих віконних рам, так як температура може пошкодити скло.

- При видаленні фарби з інших віконних рам використовуйте захисне сопло.
- Щоб уникнути займання поверхні не тримайте інструмент спрямованим в одну точку занадто довго.
- Уникайте попадання фарби на скребок, так як він може спалахнути. При необхідності обережно видаліть залишки фарби зі скребка за допомогою ножа.

1. Встановіть відповідну насадку.
2. Поверніть регулятор температури повітря / ЖК-індикатор і регулятор температури повітря ❹ у верхнє положення.
3. Увімкніть інструмент, вибравши потрібний повітряний потік.
4. Направте гаряче повітря на фарбу, що підлягає видаленню. Найкращі результати досягаються, коли пістолет гарячого повітря переміщається повільно, але ПОСТІЙНО, з одного боку в інший для рівномірного розподілу тепла. НЕ ЗАТРИМУЙТЕСЬ І НЕ ЗУПИНЯЙТЕСЬ НІ НА ХВИЛИНУ.
5. Коли фарба розм'якшується, зніміть її за допомогою скребка.

**ПАМ'ЯТАЙТЕ:** Уламки і дрібні частинки знятої фарби можуть займатися і вивудатися через отвори і тріщини на поверхні, що очищається.

## Стаціонарне використання (рис. А)

Цей інструмент також можна використовувати в стаціонарному режимі.

1. Складіть підставку ❸, як показано на рис. А.
2. Встановіть інструмент на рівний і стійкий робочий стіл. Переконайтесь, що інструмент не перекинеться.
3. Зафіксуйте шнур живлення, щоб запобігти заплутуванню або витягуванню інструменту з верстата.
4. Увімкніть інструмент, вибравши потрібний повітряний потік.

## Постійний контроль нагріву (захист від перевантаження)

При перевантаженні інструменту ця функція захищає нагрівальний елемент від пошкоджень без зупинки інструмента та/або без періоду охолодження.

1. Коли температура стає занадто високою, нагрівальний елемент вимикається. Двигун буде продовжувати працювати і виробляти холодне повітря.
2. При достатньому охолодженні (яке займає всього кілька секунд) нагрівальний елемент вмикається автоматично.

## Кільце для інструментів (рис. А)

**⚠ УВАГА!** *Завжди вимикайте пістолет гарячого повітря, від'єднайте його від джерела живлення і перед транспортуванням або зберіганням дайте інструменту не менше 30 хвилин на охолодження.*

Для зручності зберігання інструмент можна повісити на кільце для інструментів ❹. Пістолет гарячого повітря слід зберігати у приміщенні.

## Період охолодження

Під час використання сопло і приладдя дуже нагріваються. Вимикайте пістолет гарячого повітря, від'єднайте його від джерела живлення і перед транспортуванням або зберіганням дайте інструменту не менше 30 хвилин на охолодження.

**ПРИМІТКА.** щоб скоротити час охолодження, перед вимиканням пістолета гарячого повітря увімкніть інструмент на найнижчу температуру повітря і дайте йому попрацювати кілька хвилин.

## ТЕХНІЧНЕ ОБСЛУГОВУВАННЯ

Ваш електричний інструмент призначений для роботи протягом довгого часу з мінімальним обслуговуванням. Довга задовільна робота приладу залежить від належного обслуговування приладу та регулярного його очищення.

**⚠ ПОПЕРЕДЖЕННЯ:** *Щоб знизити ризик серйозних травм, вимкніть інструмент та відключіть його від мережі живлення перед виконанням будь-яких налаштувань або зніманням/встановленням насадок або приладдя.*  
Випадковий запуск може призвести до травм.



## Змашування

Ваш електричний інструмент не вимагає додаткового змашування.



## Очищення

**⚠ ПОПЕРЕДЖЕННЯ:** *Коли пил та бруд стають помітними та починають накопичуватися біля вентиляційних отворів, вивувайте бруд та*

пил зсередини основного корпусу за допомогою сухого повітря. Використовуйте рекомендовані засоби захисту органів зору та рекомендовану протипилову маску при виконанні цієї операції.



**ПОПЕРЕДЖЕННЯ:** Ніколи не використовуйте розчинники та інші агресивні хімічні засоби для очищення неметалевих деталей інструмента. Такі хімічні речовини можуть нанести шкоду матеріалам, що використовуються в цих деталях. Використовуйте вологу ганчірку, змочену лише водою з м'яким милом. Не дозволяйте рідині потрапляти всередину інструмента та ніколи не занурюйте деталі інструмента в рідину.

## Додаткові аксесуари



**ПОПЕРЕДЖЕННЯ:** Оскільки інше приладдя, що не зазначене виробником DEWALT, не перевірялося з цим пристроєм, його використання з інструментом може бути небезпечним. Необхідно використовувати лише рекомендовані DEWALT приладдя з цим пристроєм, щоб знизити ризик отримання травми.

Зверніться до свого дилера для отримання подальшої інформації щодо відповідного приладдя.

## Захист навколишнього середовища



Роздільний збір. Пристрої позначені цим символом, не можна викидати зі звичайним побутовим сміттям.

Пристрої містять матеріали, які можна відновити та переробити, що зменшить потребу у сировині.

Утилізуйте електротехнічну продукцію відповідно до місцевих положень. Більш детальну інформацію можна отримати на сайті [www.2helpU.com](http://www.2helpU.com).



Виробник:  
"Stanley Black & Decker Deutschland  
GmbH" Black-&-Decker Str.40, D-65510  
Idstein, Німеччина







