

TCORX
FITNESS IN MOTION

INSTRUCTION



WLX90

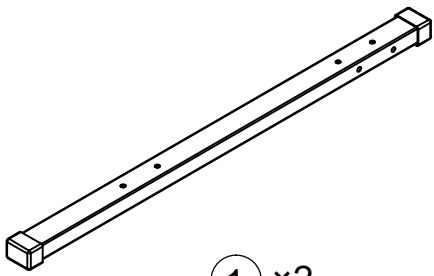


Cod : GRLDTCORXWLX90

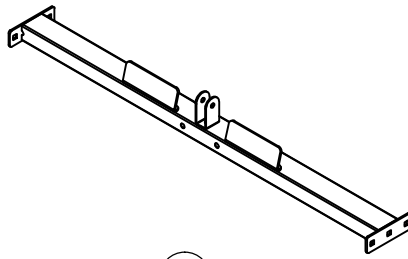
Rev : 00

Ed : 12/23

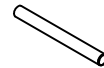
HARDWARE PACK



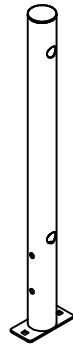
① × 2



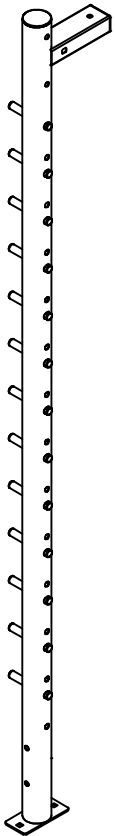
② × 1



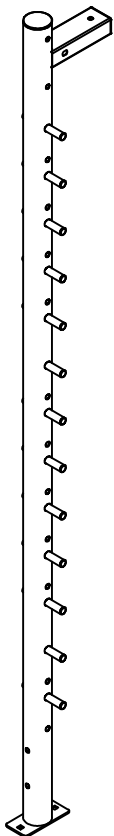
⑥ × 4



⑤ × 2



③ × 1



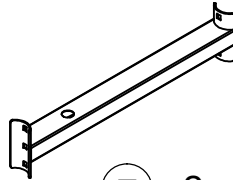
④ × 1



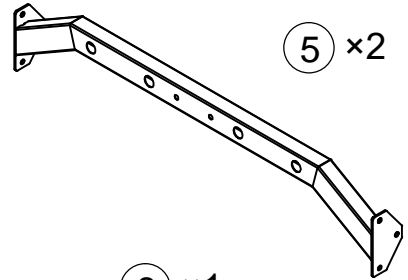
⑪ × 2



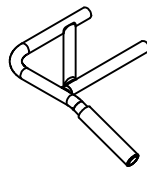
⑫ × 2



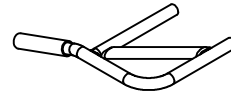
⑦ × 2



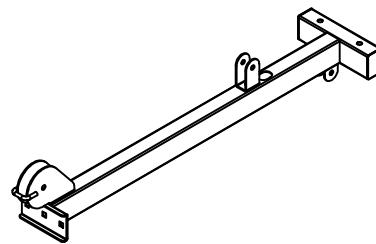
⑧ × 1



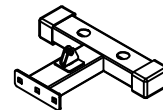
⑨ × 1



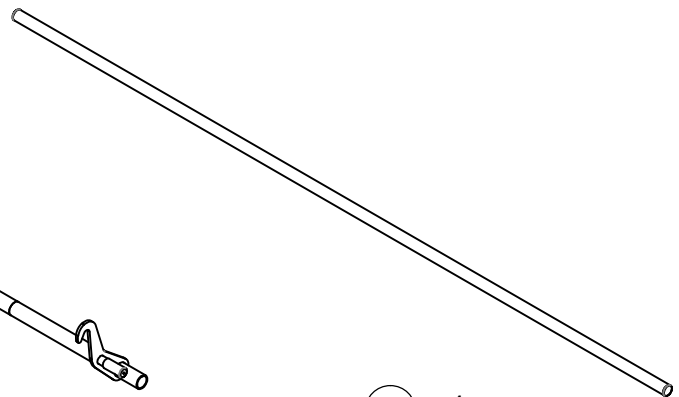
⑩ × 1



⑬ × 1



⑭ × 1



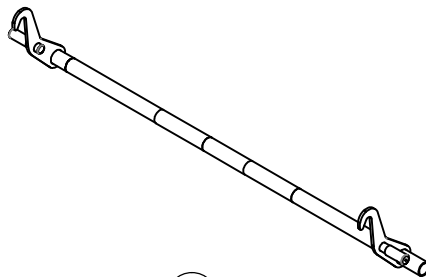
⑱ × 1



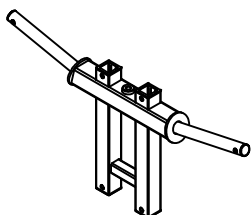
⑮ × 1



⑯ × 1



⑰ × 1



⑲ × 1



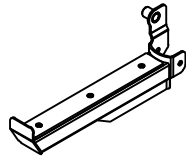
⑳ × 1



㉑ × 1



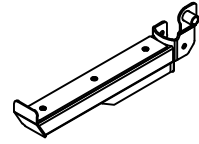
22 x1



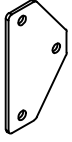
23 x1



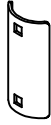
24 x1



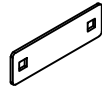
25 x1



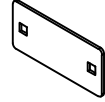
26 x2



27 x4



28 x3



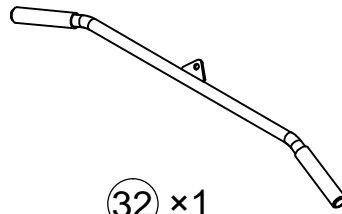
29 x1



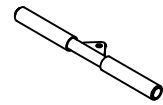
30 x2



31 x2



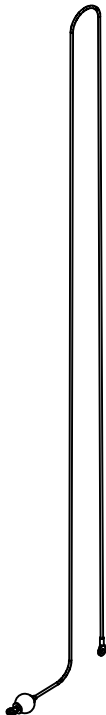
32 x1



33 x1



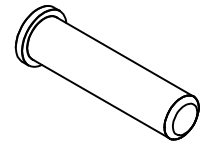
42 x1



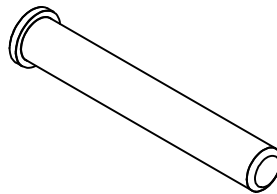
43 x1



37 x6



38 x6



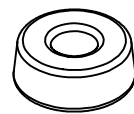
39 x2



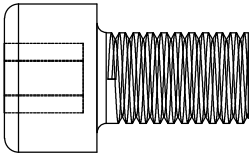
40 x4



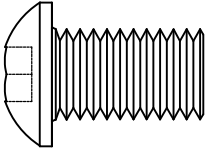
44 x8



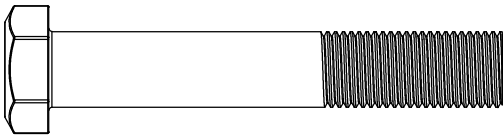
56 x4



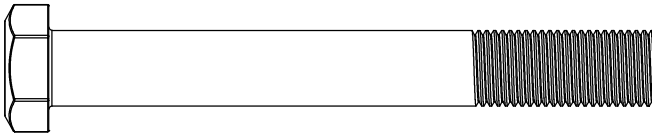
⑤7 ×22



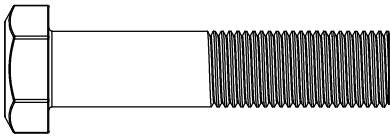
⑤8 ×2



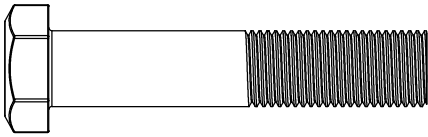
⑤9 ×2



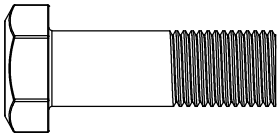
⑥0 ×20



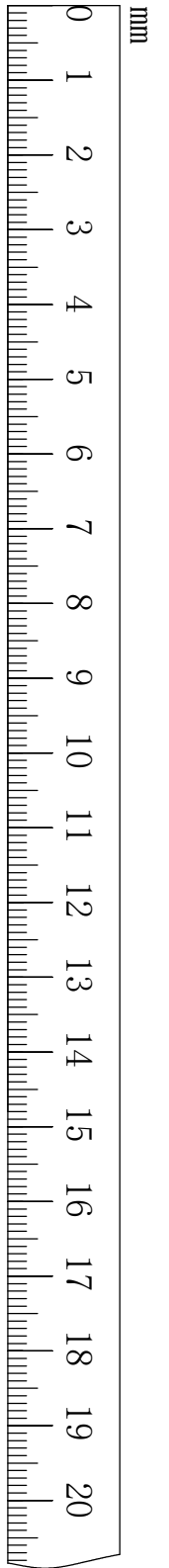
⑥1 ×4

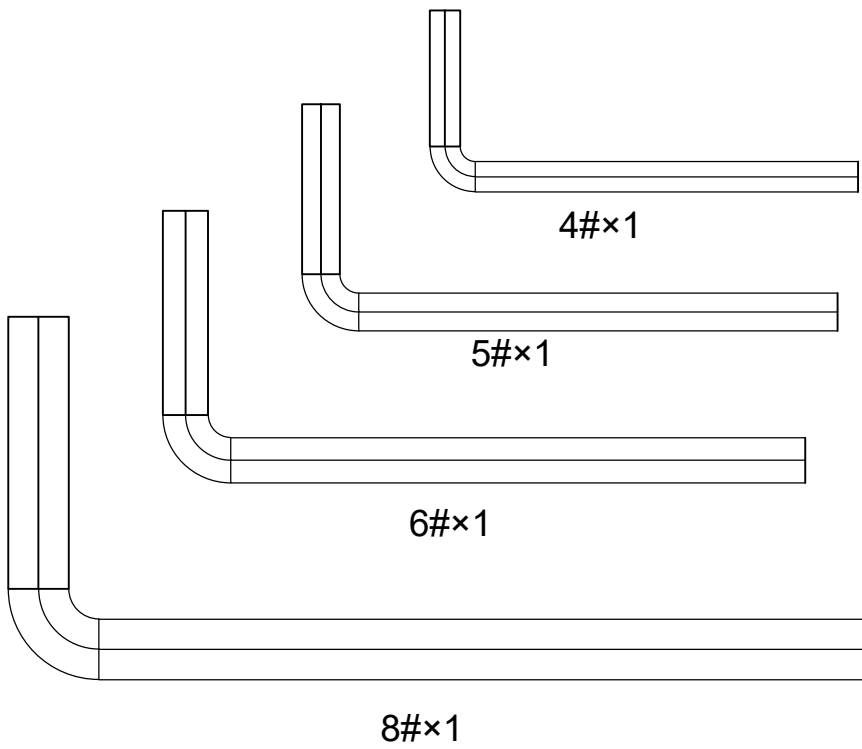
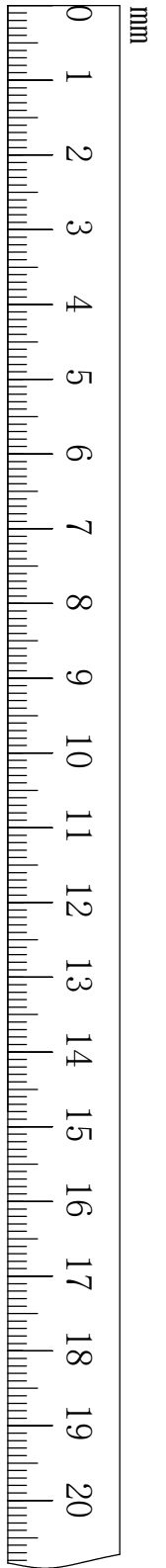
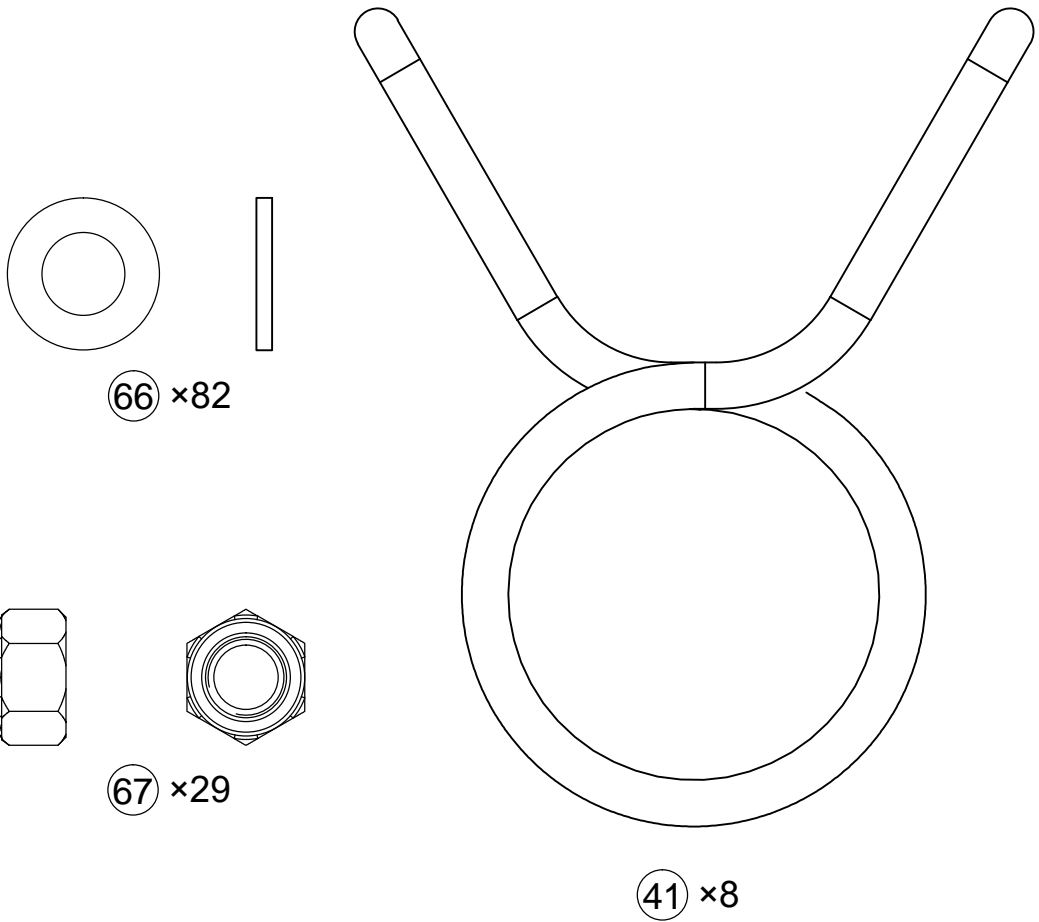


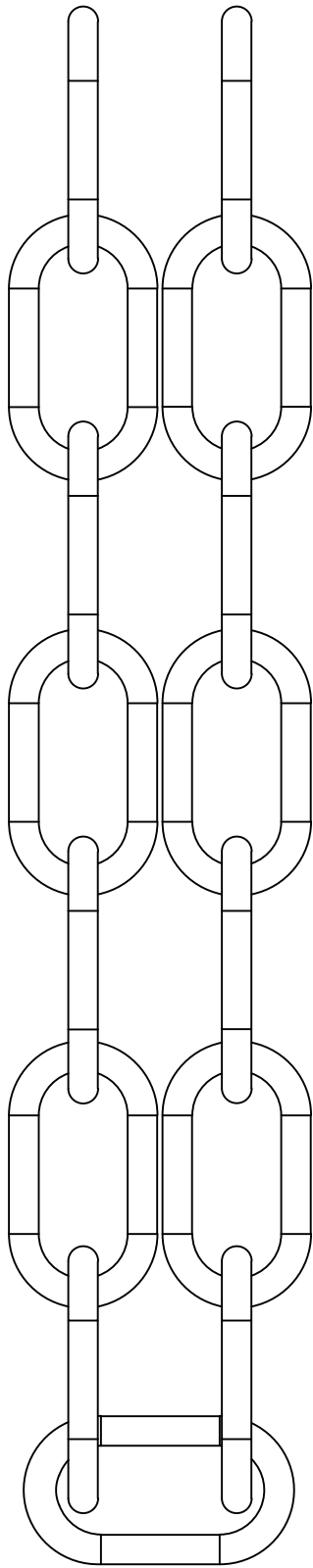
⑥2 ×2



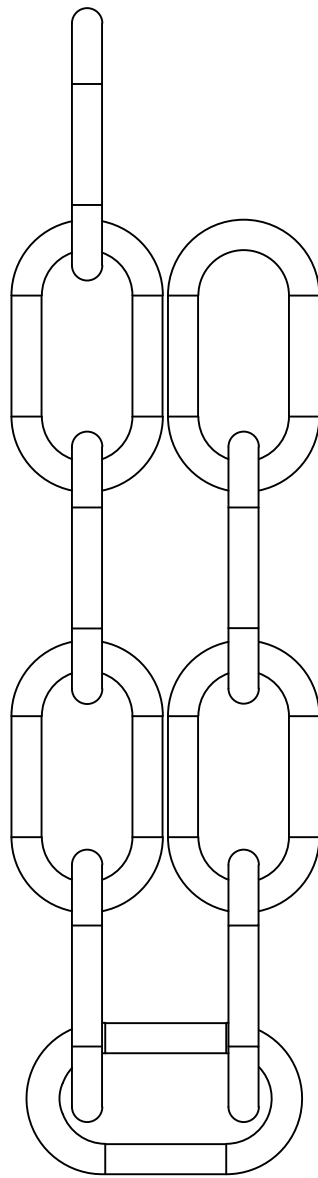
⑥3 ×1



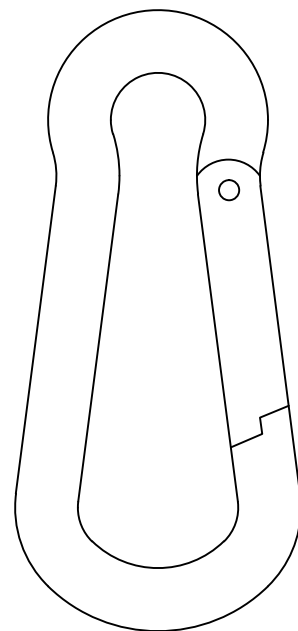




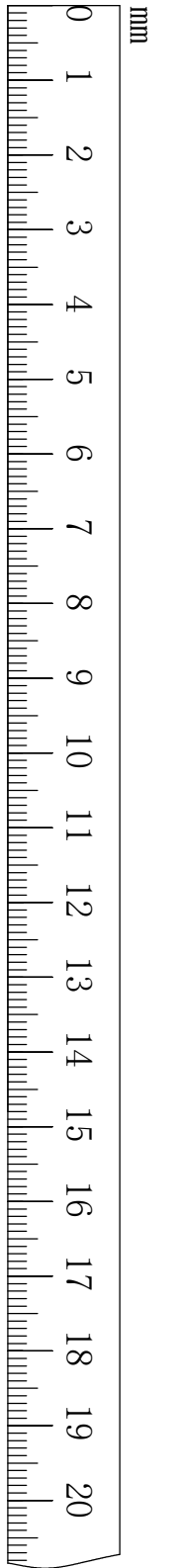
35 × 1



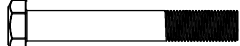


34 × 1

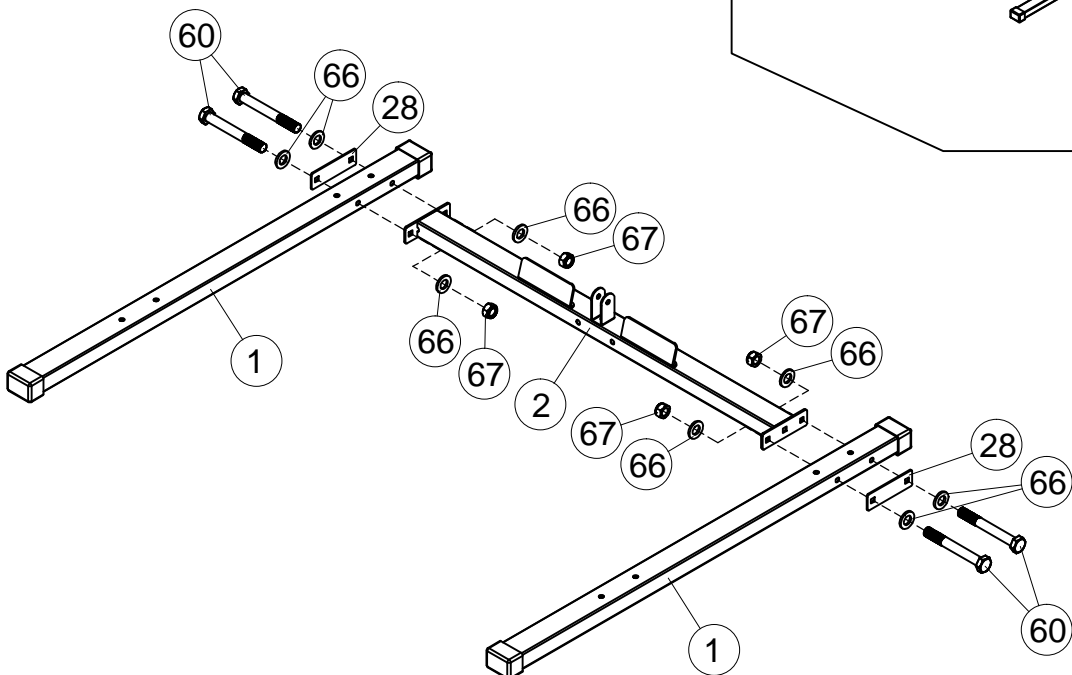
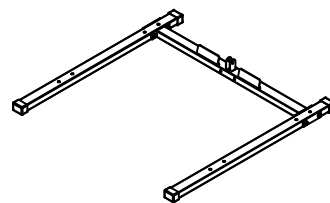
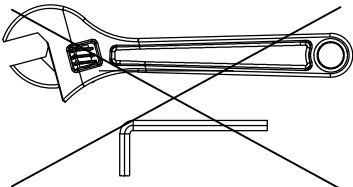


36 × 4



ASSEMBLY INSTRUCTIONS

⑥0		×	4	M10×80mm
⑥6		×	8	Φ20×Φ10.5
⑥7		×	4	M10



57



× 4

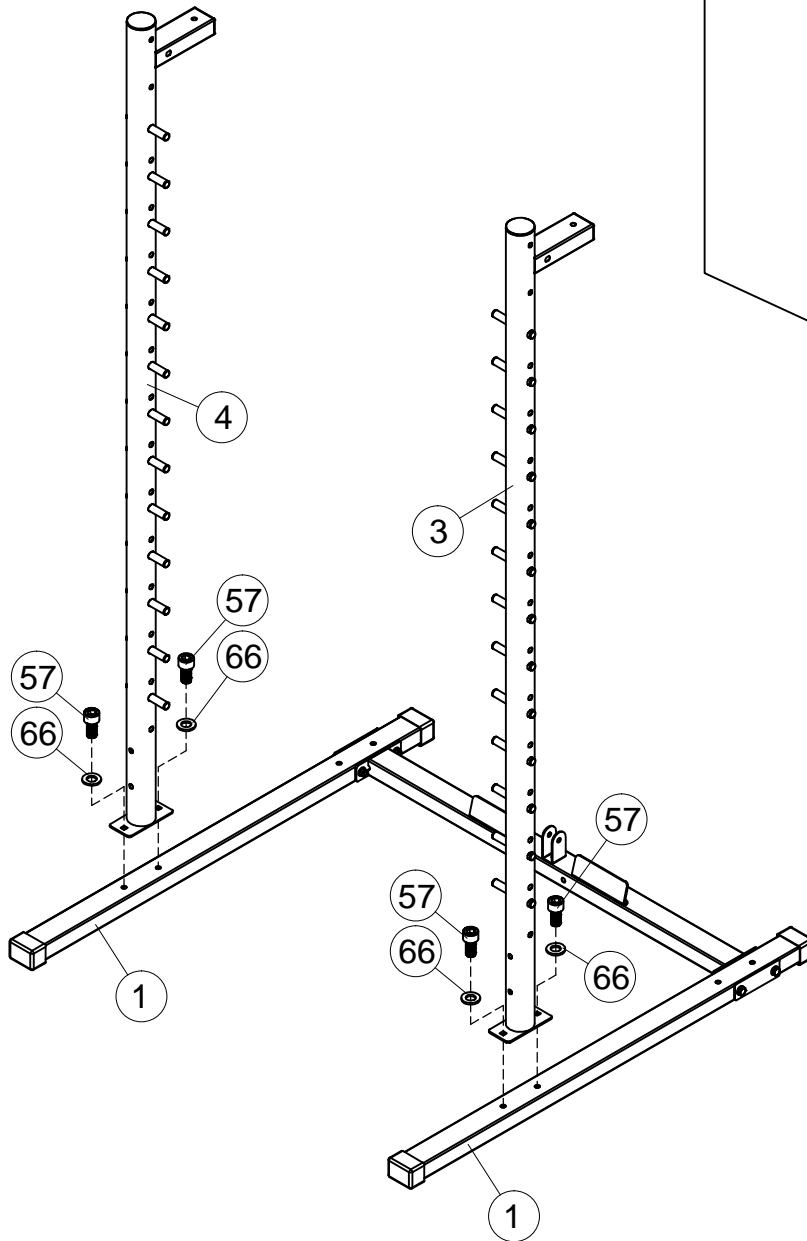
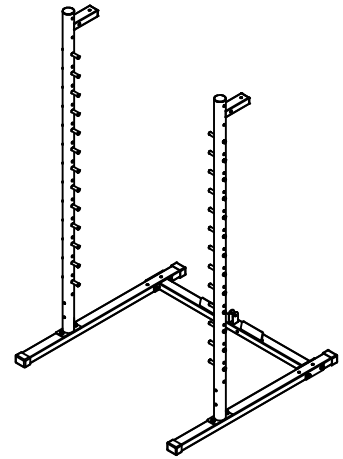
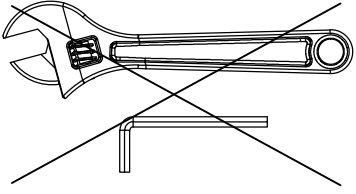
M10×20mm

66

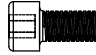
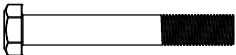






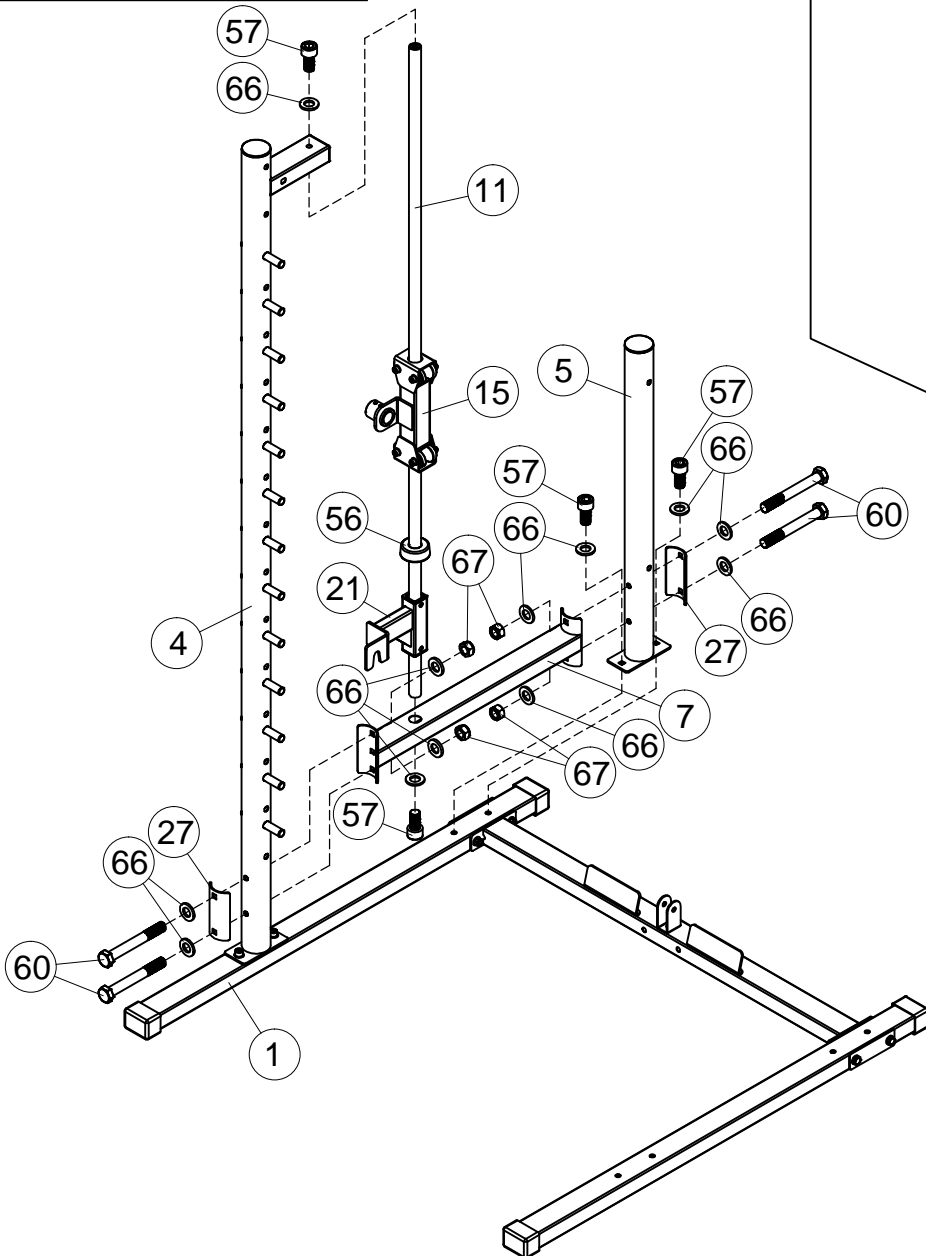
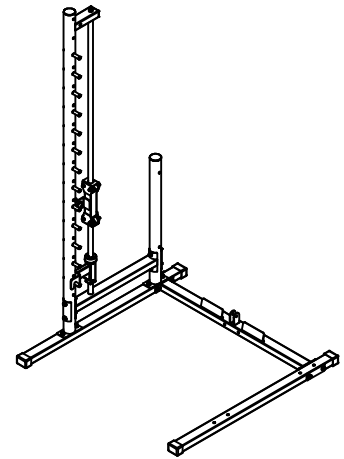
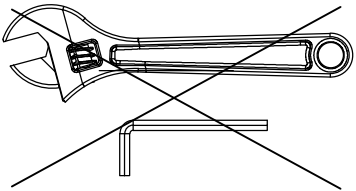
× 4

Φ20×Φ10.5


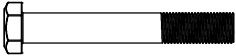






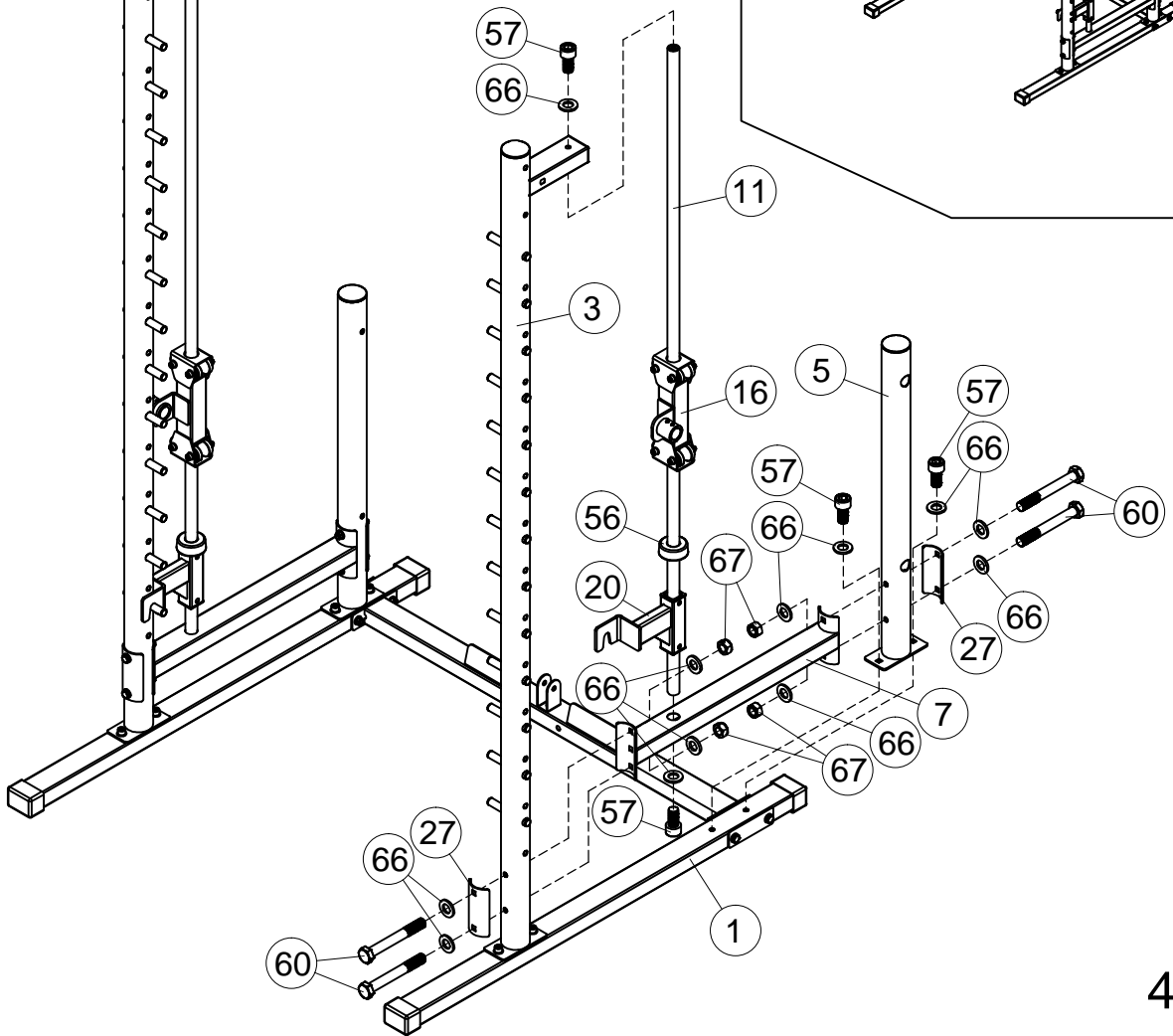
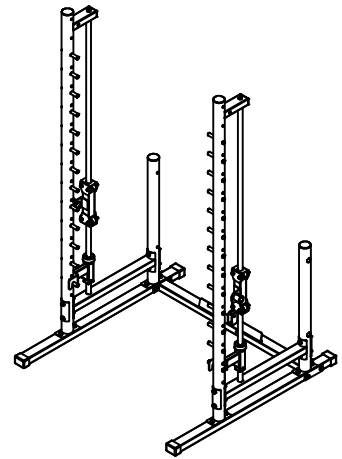
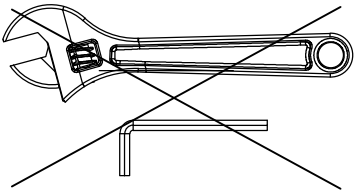
2

57		× 4	M10×20mm
60		× 4	M10×80mm
66	 	× 12	Φ20×Φ10.5
67	 	× 4	M10

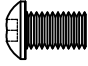
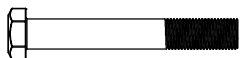






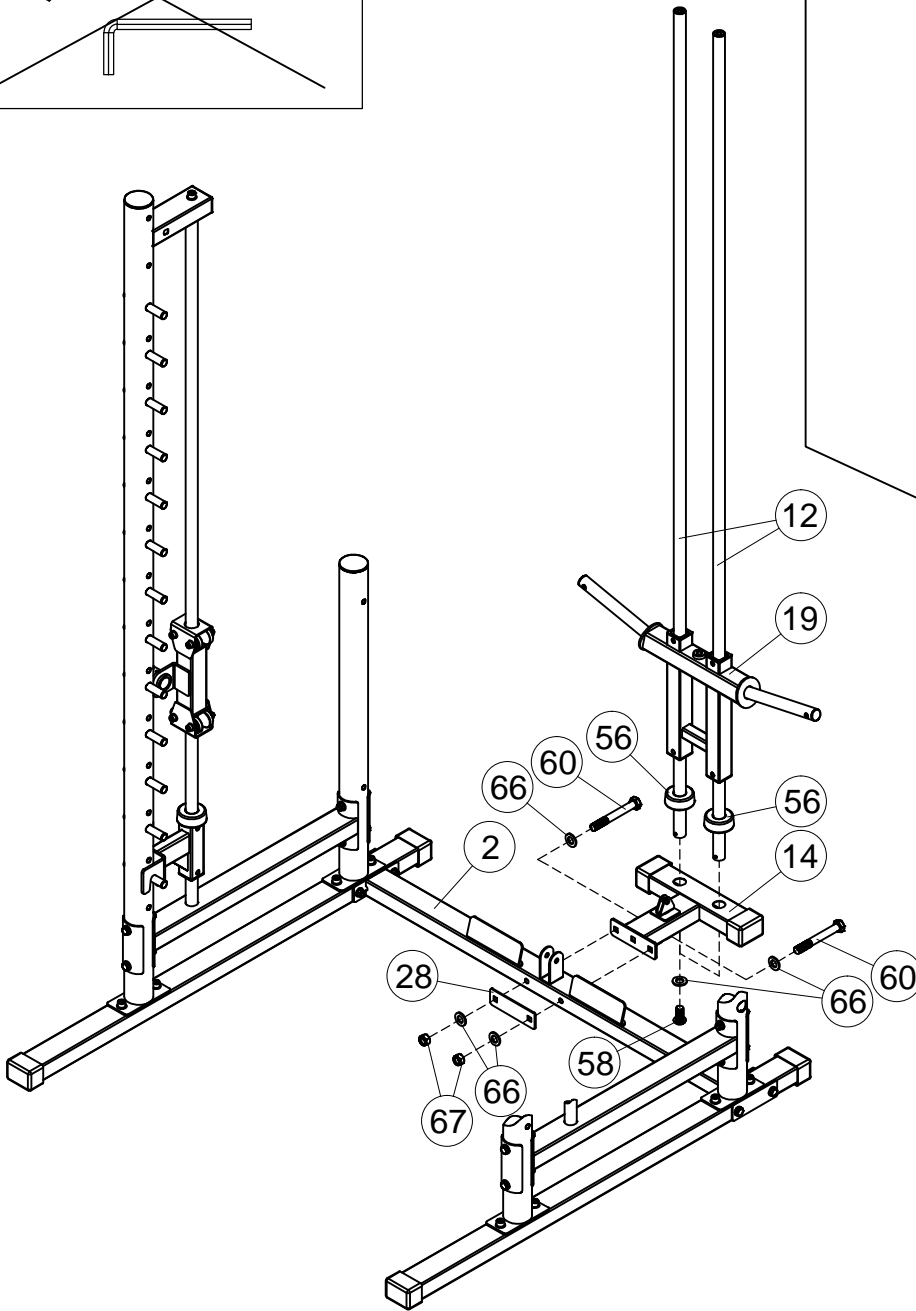
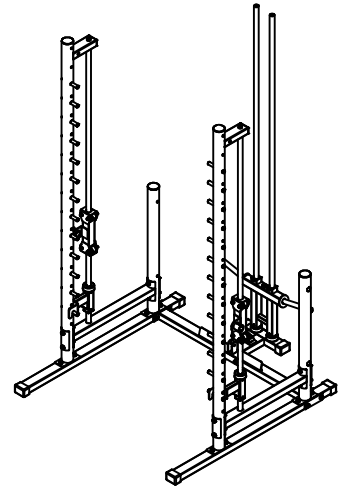
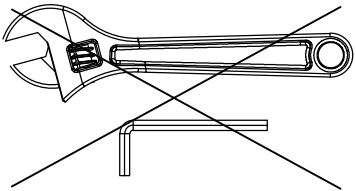
3

57		× 4	M10×20mm
60		× 4	M10×80mm
66	 	× 12	Φ20×Φ10.5
67	 	× 4	M10



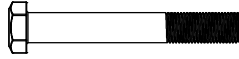
4

⑤⑧		× 2	M10×20mm
⑥⑦		× 2	M10×80mm
⑥⑥	 	× 6	Φ20×Φ10.5
⑥⑦	 	× 2	M10



5

60



x 6

M10x80mm

66



x 12

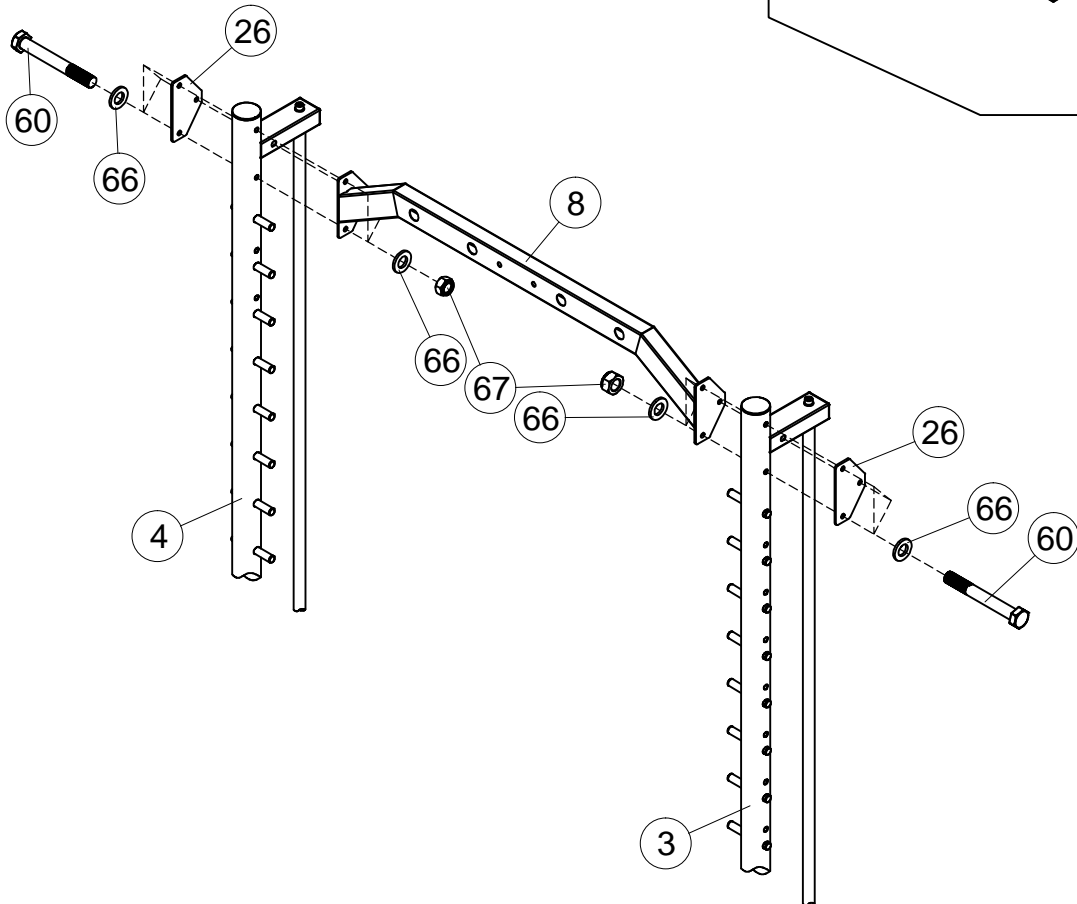
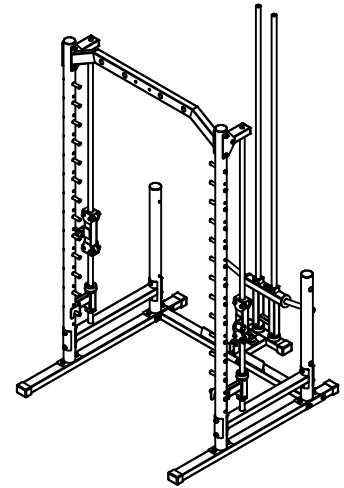
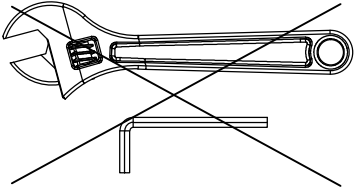
Φ20xΦ10.5

67

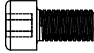
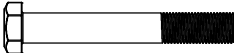
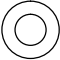





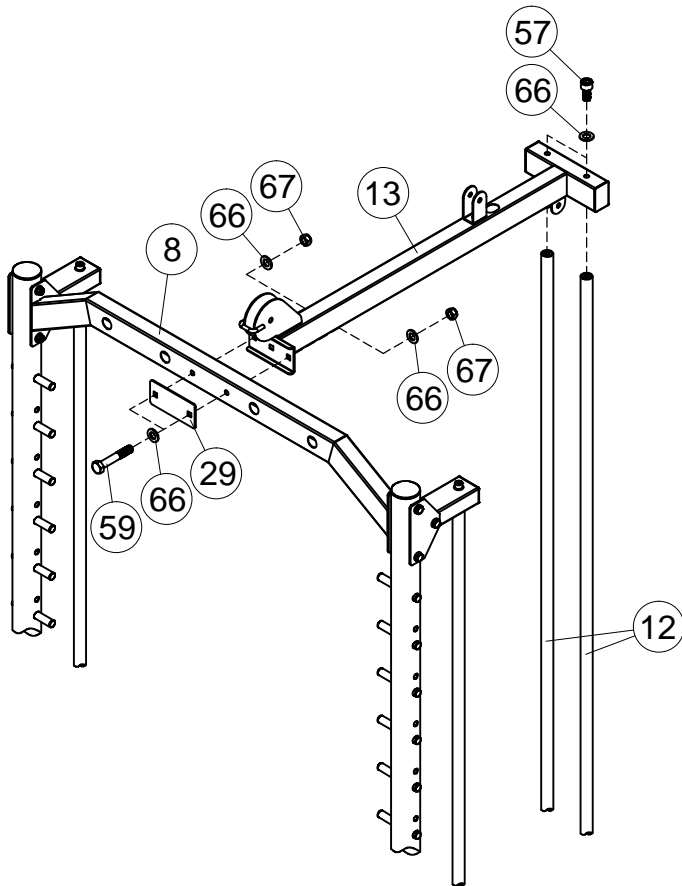
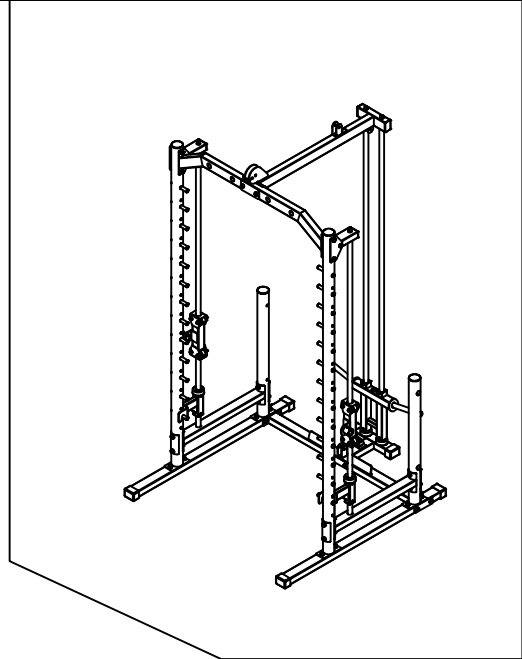
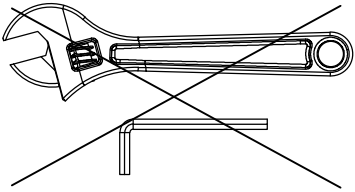
x 6

M10



6

57		× 2	M10×20mm
59		× 2	M10×60mm
66	 	× 6	Φ20×Φ10.5
67	 	× 2	M10



57



× 4

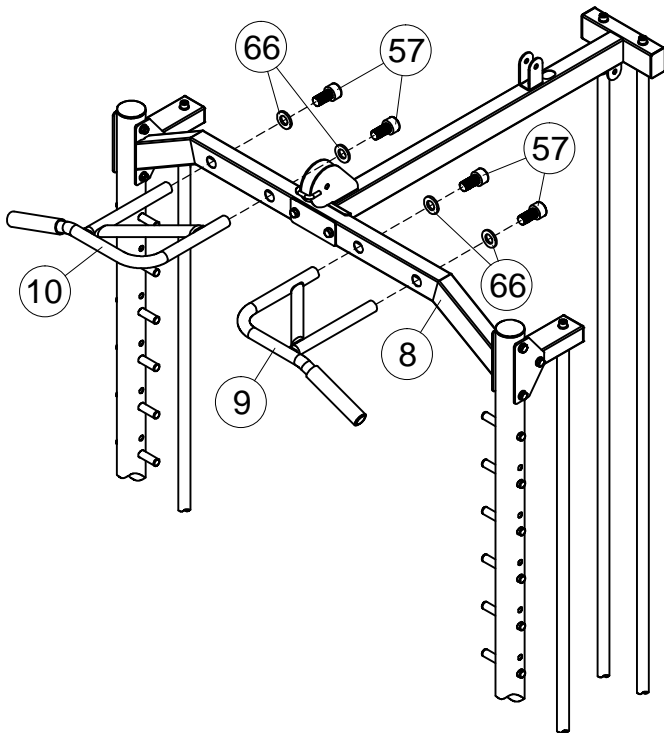
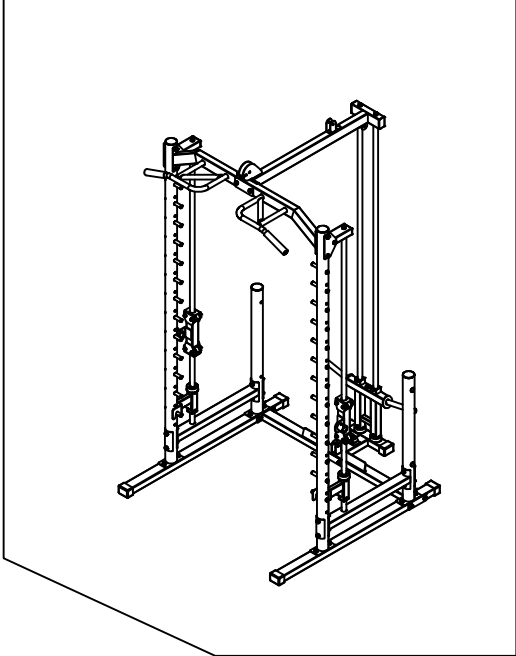
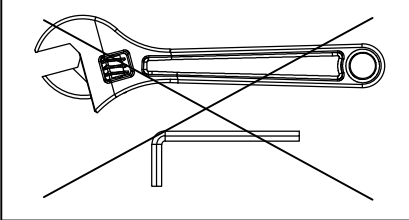
M10×20mm

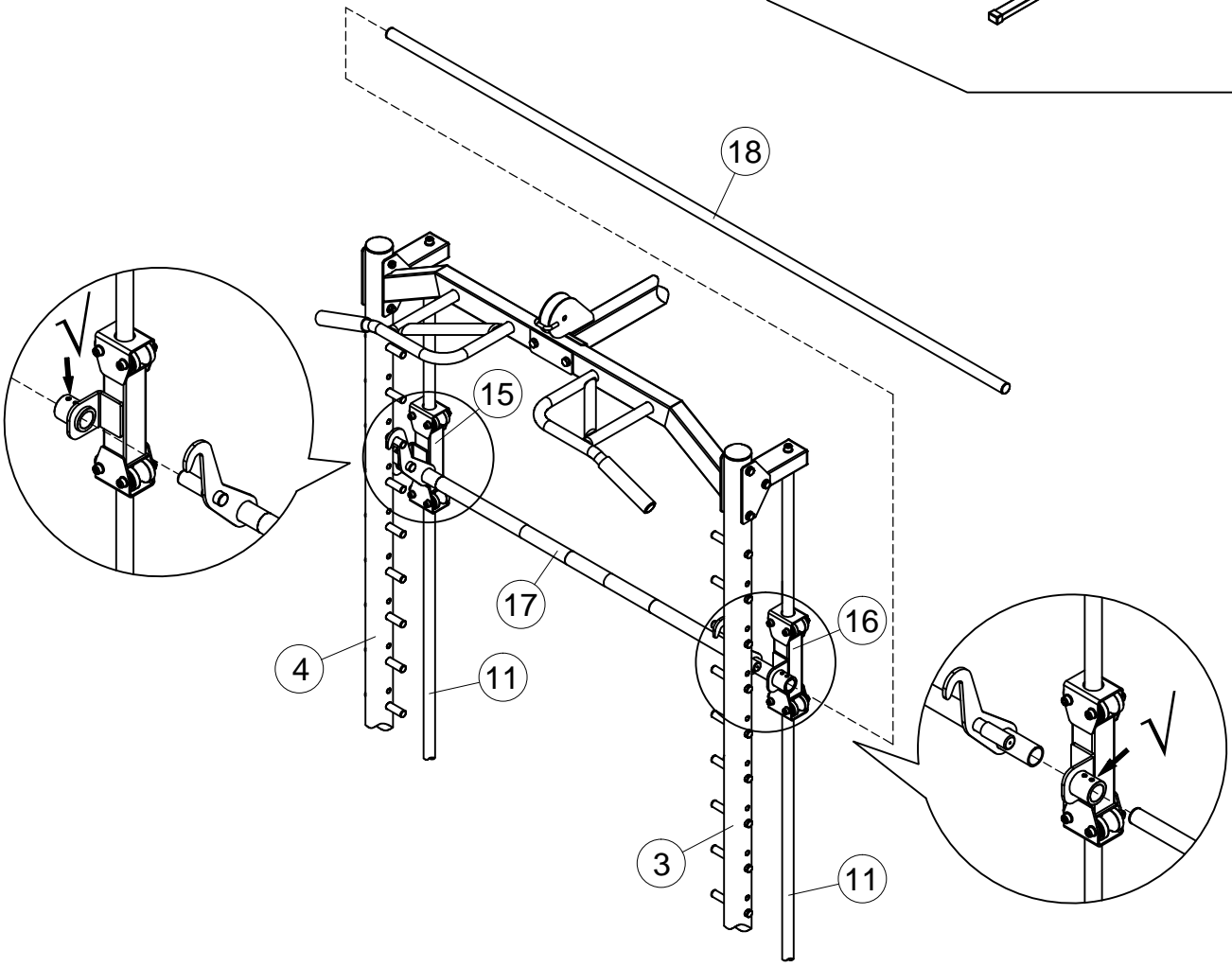
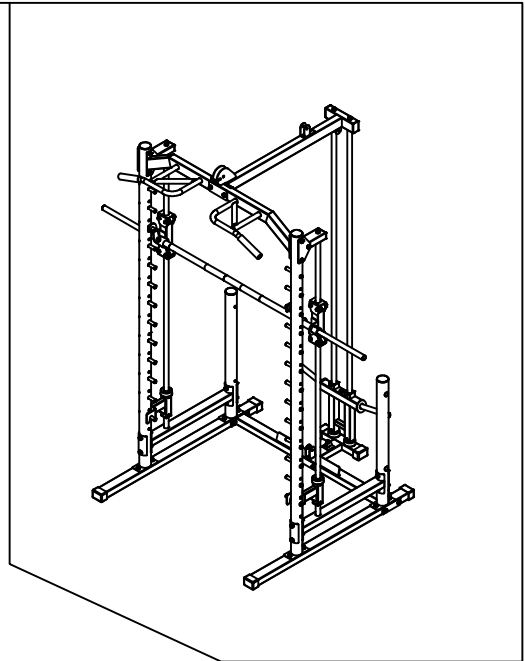
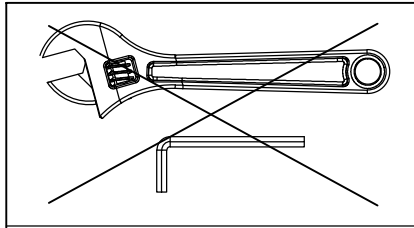
66



× 4

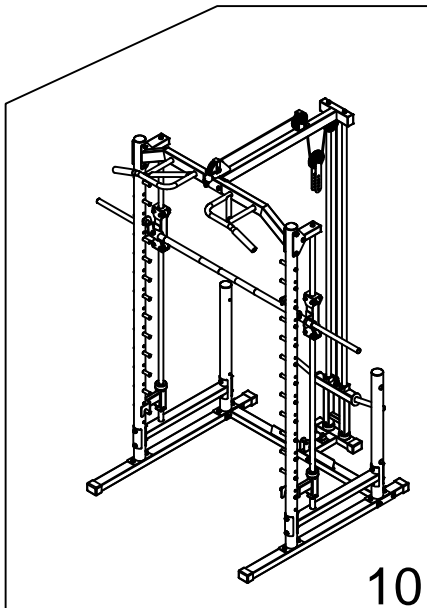
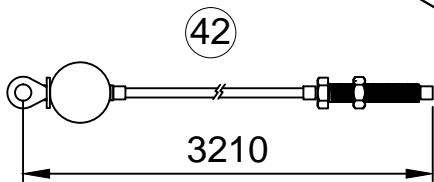
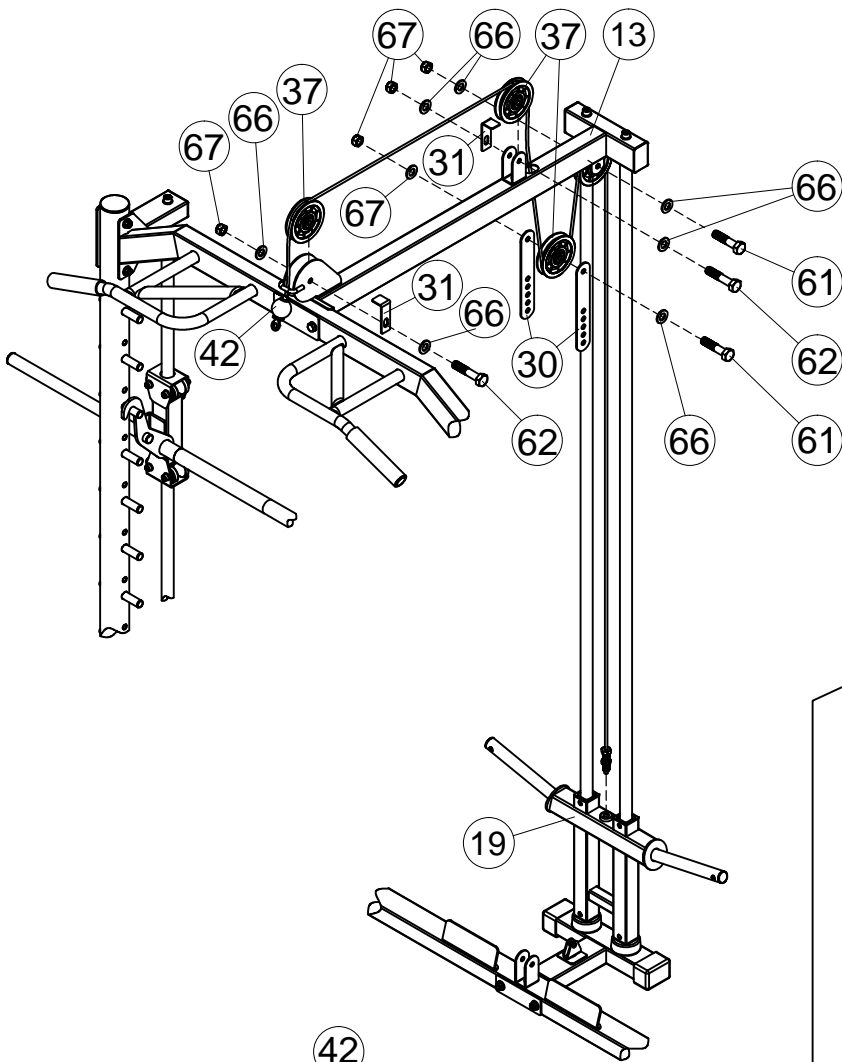
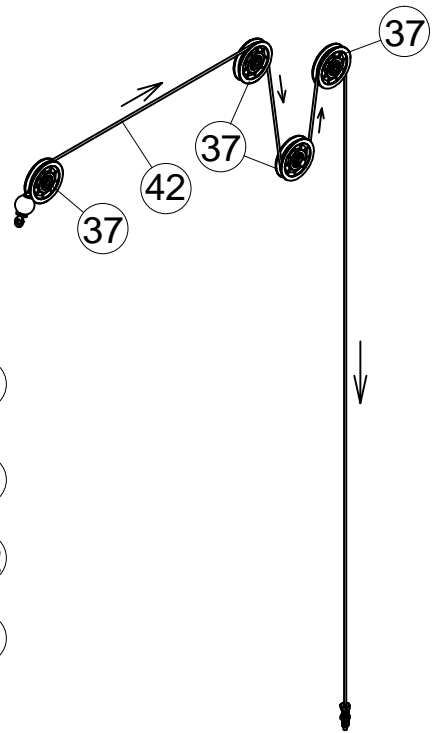
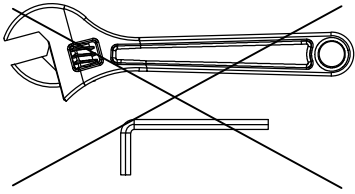
Φ20×Φ10.5


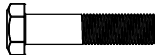






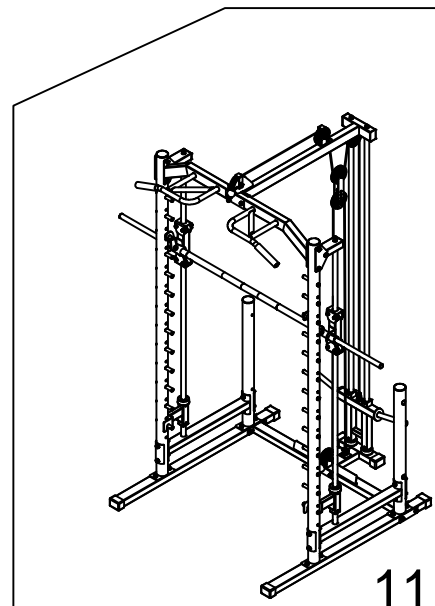
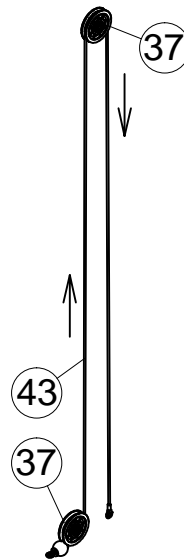
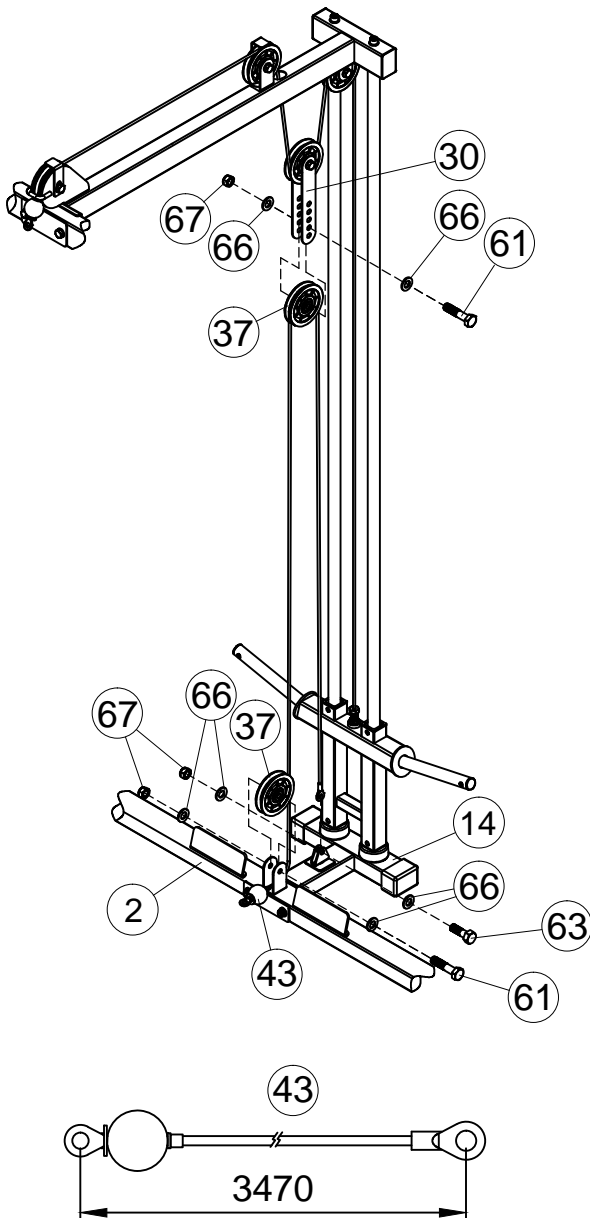
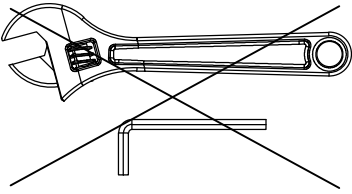


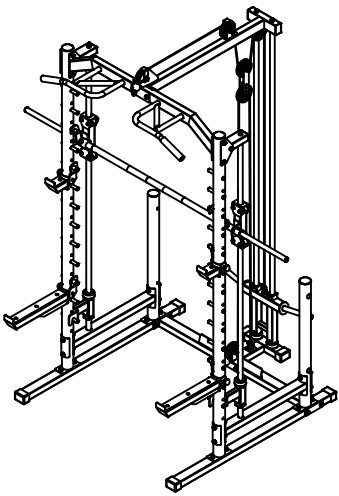
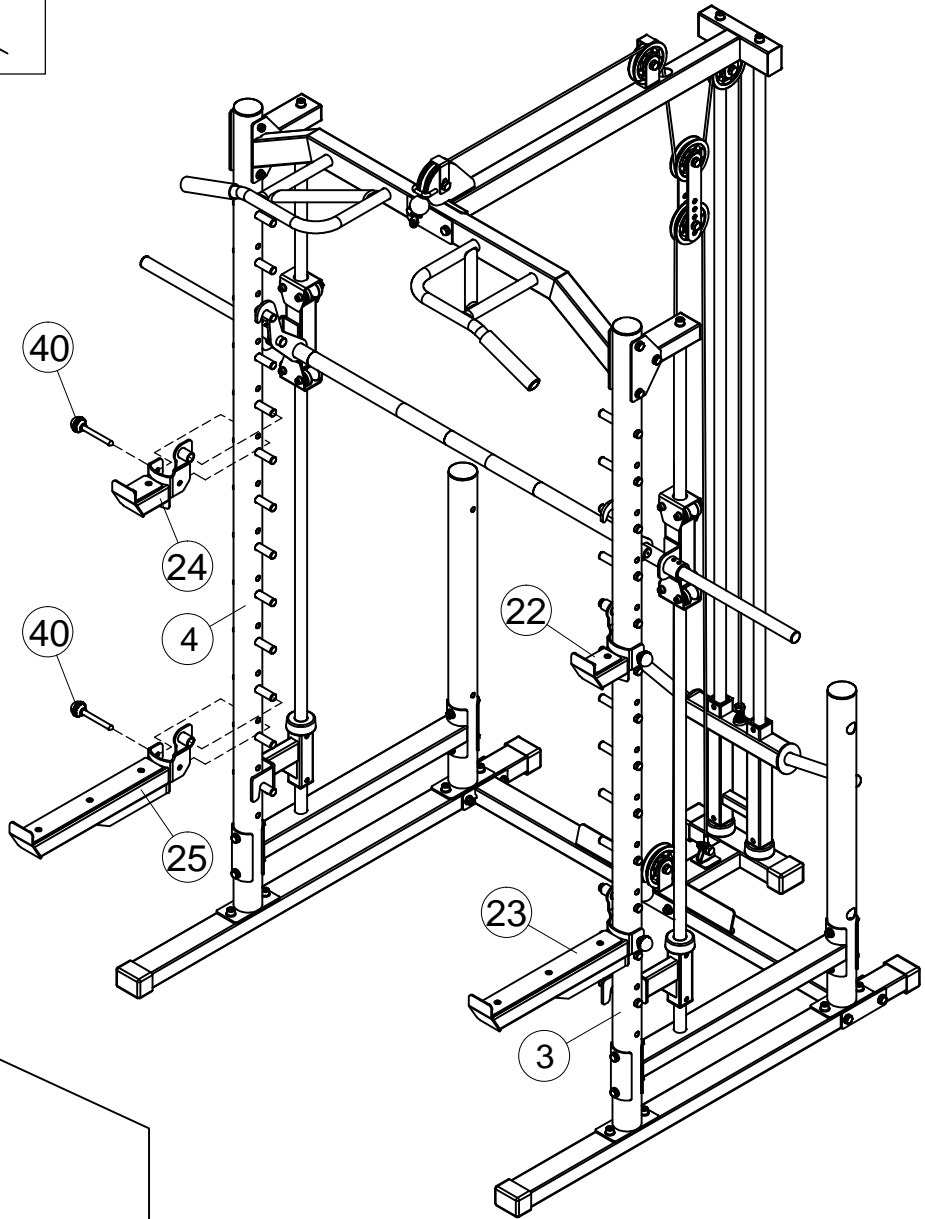
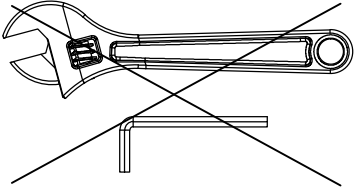
9

61			×	2	M10×45mm
62			×	2	M10×50mm
66			×	8	Φ20×Φ10.5
67			×	4	M10



⑥1		×	2	M10×45mm
⑥3		×	1	M10×30mm
⑥6	 	×	6	Φ20×Φ10.5
⑥7	 	×	3	M10





57



× 4

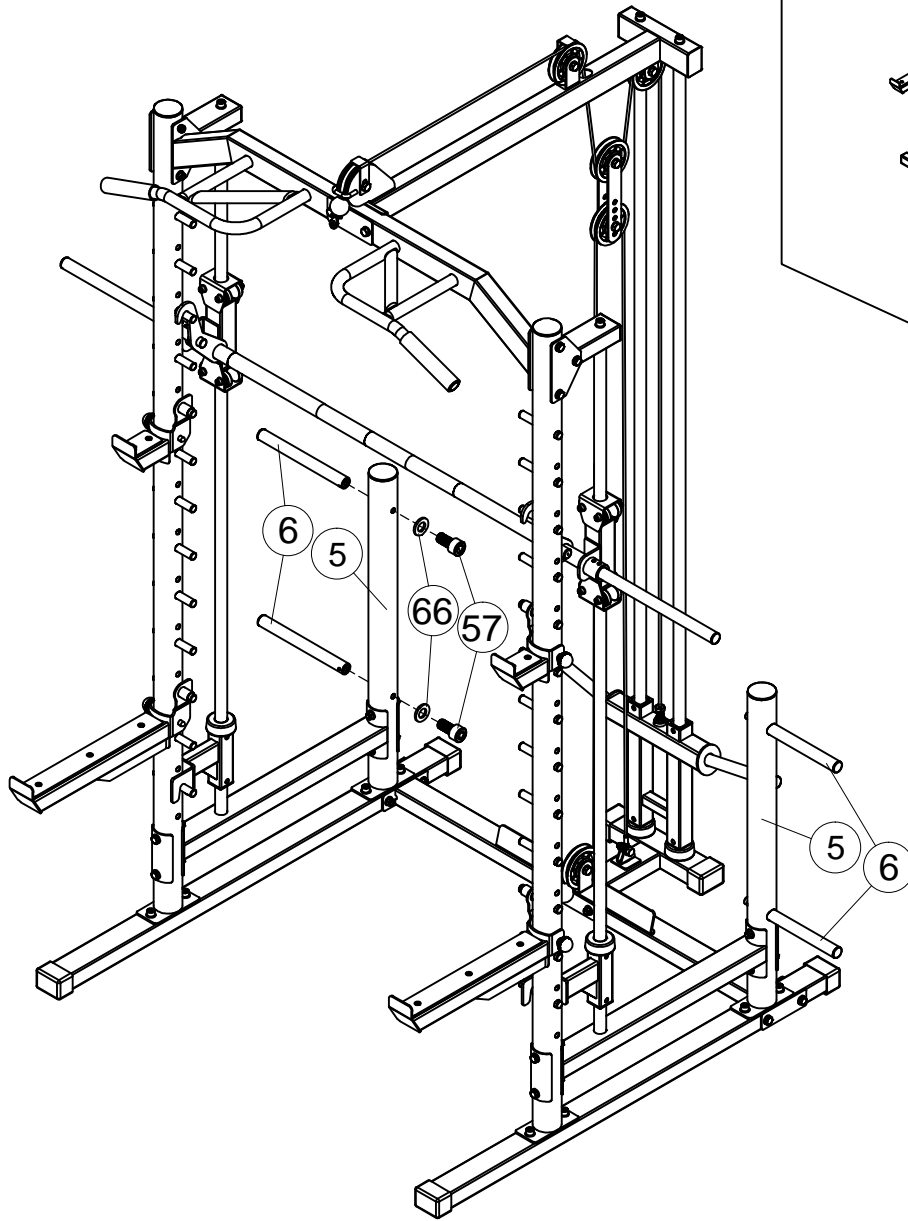
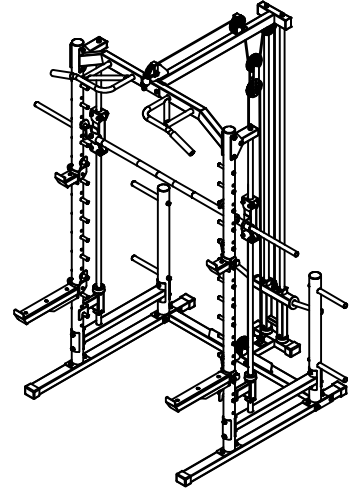
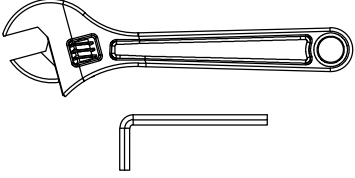
M10×20mm

66

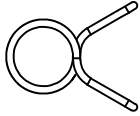


× 4

Φ20×Φ10.5

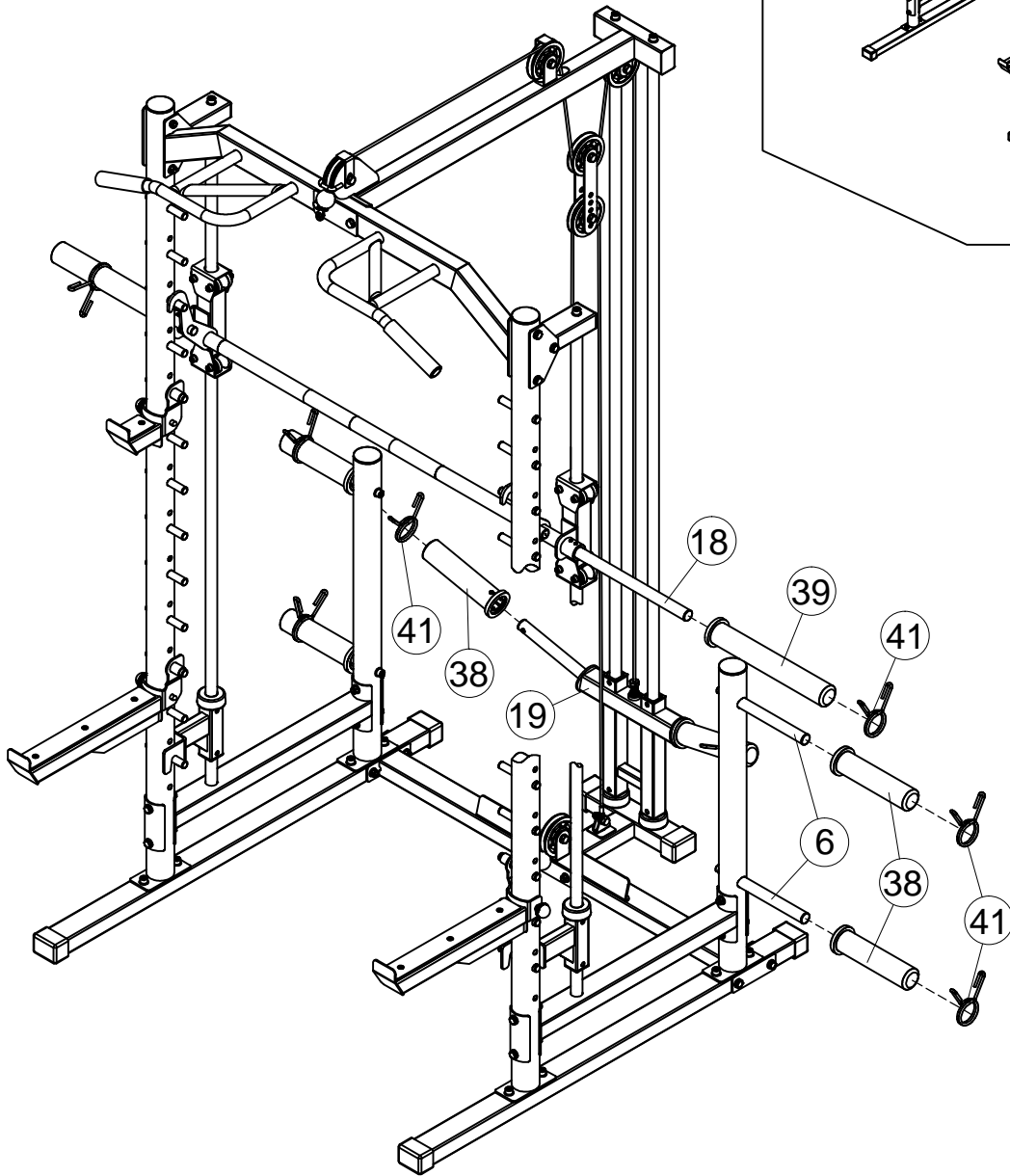
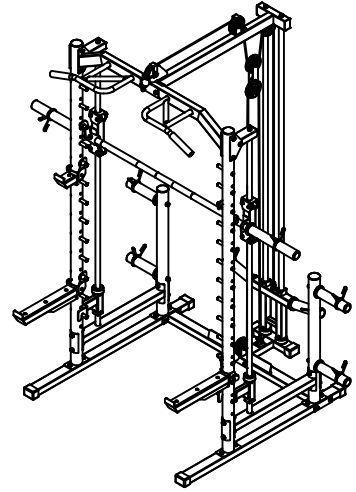
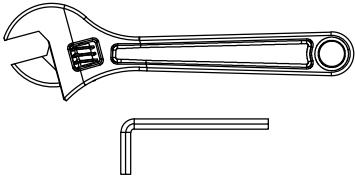


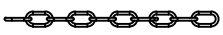
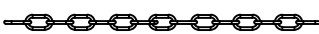
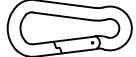
41

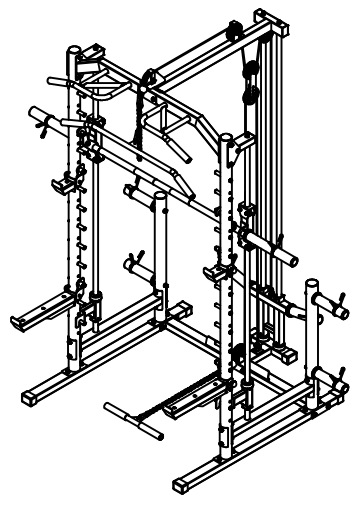
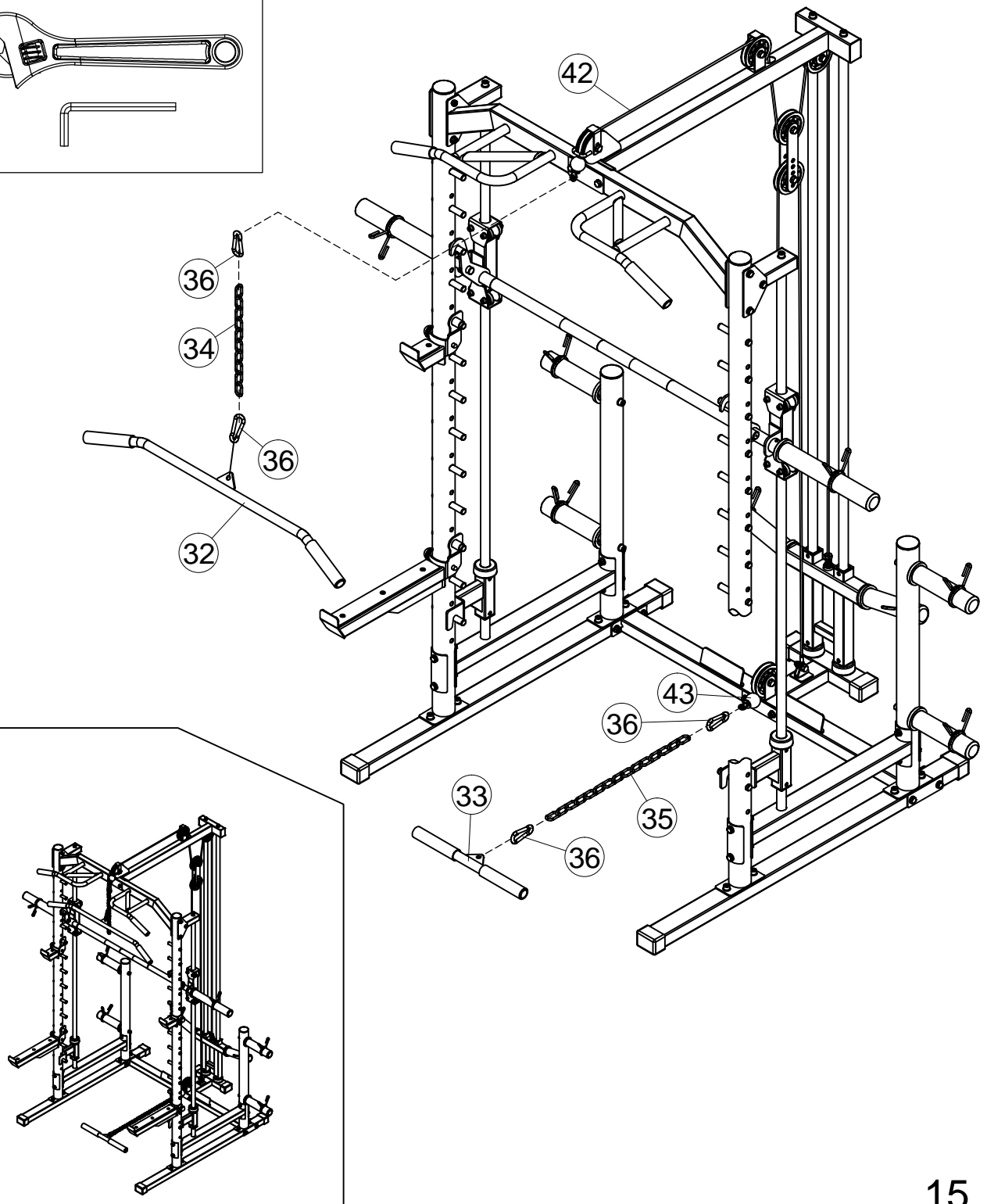
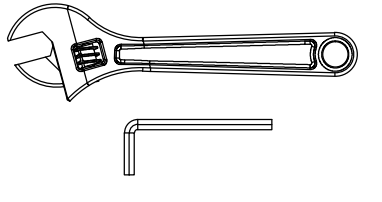


× 8

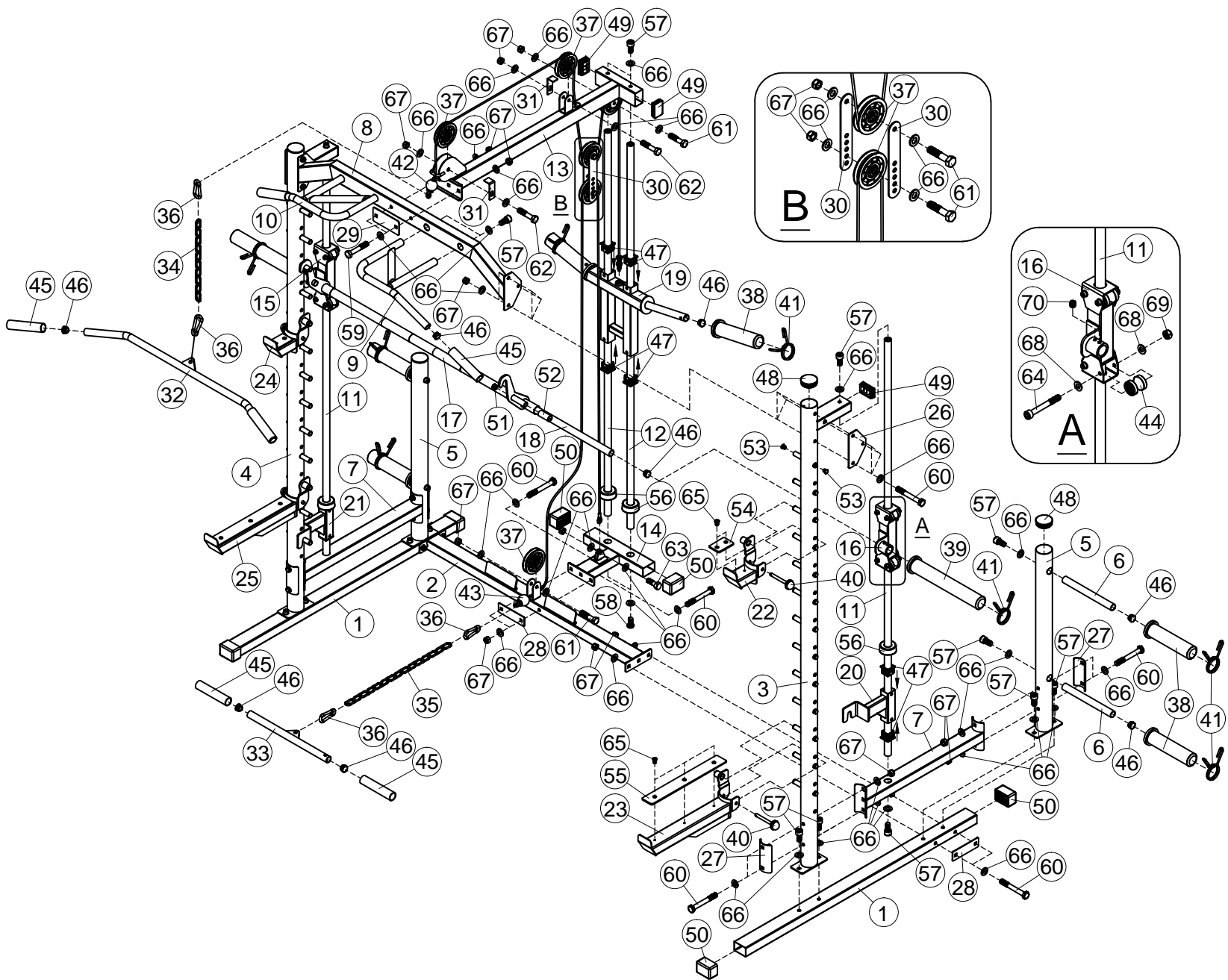
Φ49



- | | | | |
|------|---|-----|-------|
| (34) |  | × 1 | Φ5×10 |
| (35) |  | × 1 | Φ5×15 |
| (36) |  | × 4 | Φ8 |



EXPLODED DIAGRAM



PARTS LIST

PART NO.	DESCRIPTION	SIZE	QUANTITY
1	Base Frame		2
2	Cross Bracet		1
3	Left Upright Beam		1
4	Right Upright Beam		1
5	Rear Post		2
6	Weights Stow Rod	φ25×245	4
7	Intermediate cross		2
8	Top Beam		1
9	Left Chin-up Bar		1
10	Right Chin-up Bar		1
11	Guide rod	φ25×1820	2
12	Guide Rod Rear	φ25×2085	2
13	Upper Frame		1
14	Rear Base Frame		1
15	Roller Rack R		1
16	Roller Rack L		1
17	Lifting Sleeve		1
18	Weight Bar	φ25×1900	1
19	Plate Loader		1
20	Lower Left Safety Stop Frame		1
21	Lower Right Safety Stop Frame		1
22	Short Safety Rack L		1
23	Long Safety Rack L		1
24	Short Safety Rack R		1
25	Long Safety Rack R		1
26	Trapezoid Bracket	150×85×30×4	2
27	Bracket	R30×120×3	4
28	Bracket	130×40×3	3
29	Bracket	130×60×3	1
30	Double Floating Pulley Bracket	218×38×3	2
31	L-shaped Cable Retainer		2
32	Lat Bar		1
33	Shiver Bar		1
34	10-link Chain		1
35	15-link Chain		1
36	Hook		4
37	Small Polley	φ96	6

38	Olympic Sleeve		6
39	Weight Bar Sleeve		2
40	Lock Pin		4
41	Spring Clip		8
42	Upper Cable	L=3210mm	1
43	Lower Cable	L=3470mm	1
44	Roller Set		8
45	Grip		6
46	End Cap	Ø 25	14
47	Sliding Sleeve		8
48	End Cab	Ø 60	4
49	End Cab	□60×40	4
50	Upright Beam End Cap	□40×60	6
51	End Cab	Ø19	2
52	Upright Beam End Cap	Ø 19×50	2
53	End Cab	Ø 16 ×14	52
54	Rack Liner	78×52 ×5	2
55	Rack Liner	380 ×52×5	2
56	Rubber Stopper	Ø62×Ø24.5×25	4
57	Hexagon socket button head screws	M10 ×20	22
58	Allen Bolt	M10×20	2
59	Hex Bolt	M10×60	2
60	Hex Bolt	M10×80	20
61	Hex Bolt	M10×45	4
62	Hex Bolt	M10×50	2
63	Hex Bolt	M10×30	1
64	Hexagon socket button head screws	M8×65	8
65	Allen Bolt	M6×12	10
66	Washer	Ø20×Ø10.5	82
67	Aircraft Nut	M10	29
68	Washer	Ø16×Ø 8.4	16
69	Aircraft Nut	M8	8
70	Allen Bolt	M8×10	4
	Allen Wrench	8#	1
	Allen Wrench	6#	1
	Allen Wrench	5#	1
	Allen Wrench	4#	1



GARLANDO SPA
Via Regione Piemonte, 32 - Zona Industriale D1
15068 - Pozzolo Formigaro (AL) - Italy
www.toorx.it - info@toorx.it