

ADLER

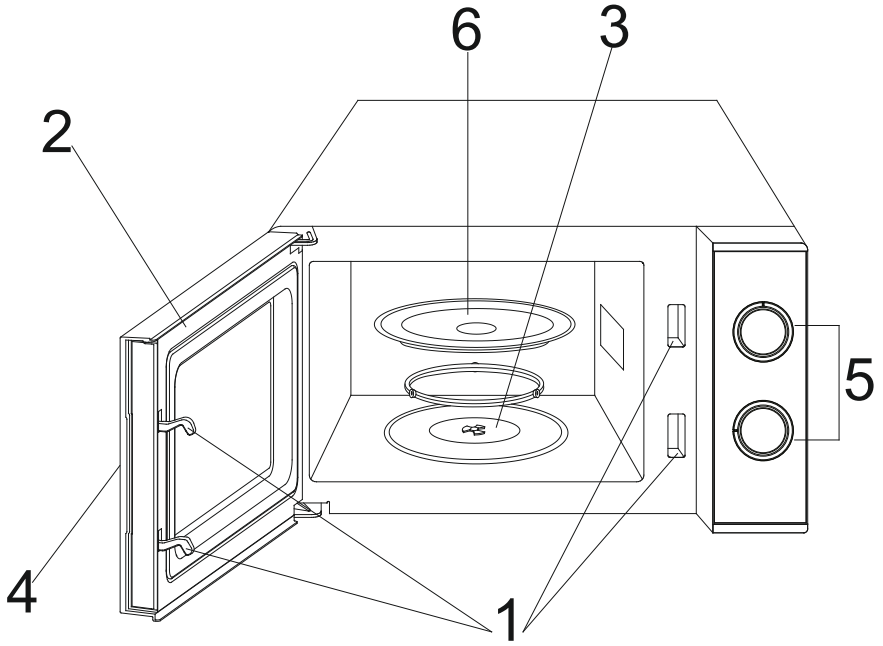
EUROPE



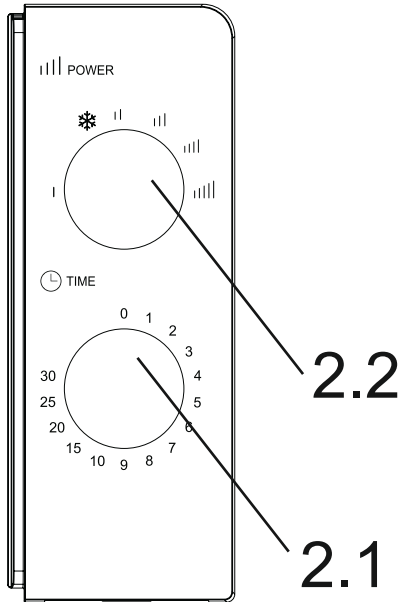
AD 6205

- | | |
|--|--------------------------------------|
| (GB) user manual - 3 | (BIH) upute za rad - 35 |
| (D) bedienungsanweisung - 6 | (H) felhasználói kézikönyv - 40 |
| (F) mode d'emploi - 11 | (FIN) käyttöopas - 88 |
| (E) manual de uso - 15 | (NL) handleiding - 84 |
| (P) manual de serviço - 19 | (HR) upute za uporabu - 62 |
| (LT) naudojimo instrukcija - 27 | (RUS) инструкция обслуживания - 49 |
| (LV) lietošanas instrukcija - 24 | (SLO) navodila za uporabo |
| (EST) kasutusjuhend - 31 | (I) istruzioni per l'uso - 92 |
| (CZ) návod k obsluze - 75 | (DK) brugsanvisning - 66 |
| (RO) Instrucțiunea de deservire - 44 | (UA) інструкція з експлуатації - 101 |
| (GR) οδηγίες χρήσεως - 79 | (SR) korisničko uputstvo - 70 |
| (SK) používateľská príručka - 58 | (S) instruktionsbok - 97 |
| (MK) упатство за корисникот - 53 | (PL) instrukcja obsługi - 114 |
| (AR) دليل التعليمات - 109 | (BG) Инструкция за употреба - 118 |
| (AZ) İstifadəyə dair göstərişlər - 123 | (ALB) Udhëzime për përdorim - 128 |

1.



2.



GENERAL SAFETY CONDITIONS


IMPORTANT INSTRUCTIONS ON SAFETY OF USE PLEASE READ CAREFULLY AND KEEP FOR FUTURE REFERENCE

1. Before first use of the device, please read the instruction manual and follow the instructions contained therein. **The manufacturer is not responsible for damage caused by using the device for purposes other than those intended or by incorrect use of the device.**
2. The device is for domestic use only. Do not use for purposes other than those intended.
3. The device should only be connected to a 230-240V ~50Hz grounding outlet. To increase safety do not simultaneously connect multiple electrical devices into one power circuit.
4. Pay particular attention when using the device if there are children nearby. Do not allow children play with the device. Do not allow children or persons unfamiliar with the device to operate it.
5. **WARNING: This device may be used by children over 8 years of age and persons with reduced physical, sensory or mental capabilities, or persons without experience or knowledge of the device, only under the supervision of a person responsible for their safety, or if they were instructed on the safe use of the device and are aware of the dangers associated with its operation. Children should not play with the device. Cleaning and maintenance of the device should not be carried out by children, unless they are over 8 years of age and these activities are carried out under supervision.**
6. After use always remove the plug from the outlet by holding the outlet with your hand. **DO NOT** pull by the power cord.
7. Do not leave the device connected to the outlet unsupervised.
8. Do not immerse the cable, plug and whole device in water or other liquids. Do not expose the device to atmospheric conditions (e.g. rain, sun etc.) or use it in high humidity (in the bathroom, humid summer houses).
9. Check the condition of the power cord regularly. **If the power cord is damaged, it should be replaced at a specialist repair outlet to avoid danger.**
10. Do not use the device with a damaged power cord or if it has been dropped or damaged in any way or is not working properly. Do not repair the device yourself as there is a risk of electrocution. Leave the damaged device at the appropriate service center to be checked or repaired. **Only authorized service centers may repair any damages. Improper repair can result in serious risk to the user.**
11. The device should be placed on a cool, stable, level surface, away from heating kitchen appliances such as electric cookers, gas burners etc.
12. Do not use the device near flammable materials.
13. The power cord may not hang over the edge of a table or touch hot surfaces.
14. Before cleaning or after use remove the plug from the power outlet by holding the outlet with your hand. **DO NOT** pull by the power cord.
15. Do not use the microwave oven without the turntable and the turntable support placed in the correct position.
16. Only use the microwave oven for cooking food. Do not use the microwave oven to dry clothing, paper or other non-food items. Do not use the microwave oven for

sterilization purposes.

17. Never use the microwave oven empty, as this may damage the device.
18. Do not use the interior of the microwave oven to store any products, such as paper, books etc.
19. Food products with thick skin, such as potatoes, apples or chestnuts, should be pierced several times prior to cooking.
20. Do not place any items into the openings in the housing.
21. Never remove any parts of the microwave oven. CAUTION: Do not remove the lid. Source of microwave radiation and high voltage.
22. Never cook directly on the turntable. Always place the food in a microwave-safe dish.
23. Only use microwave-safe dishes.
24. Keep a minimum of 30cm of free space above the top surface of the microwave oven.
25. Do not fry food in the microwave oven. Hot oil can damage parts of the microwave oven and the dish, and can damage your skin.
26. **WARNING: Heated liquid in a container is very hot even if the container is not hot to touch after completion of cooking and removal from the microwave oven.**
27. Heating beverages in a microwave oven may cause delayed explosive boiling - be careful when handling the container.
28. To avoid burns mix or shake the contents of children's feeding bottles and jars of baby food, then check the temperature prior to serving.
29. If you see smoke turn the microwave oven off, remove the plug from the outlet and leave the door closed to stifle the flames.
30. Dishes may heat up as a result of the heat from the heated food transferring to the dish. Use appropriate protection when carrying the dishes.
31. To reduce the likelihood of fire inside the microwave oven, follow the following rules:
 - a. do not cook food in containers made from paper, plastic or other flammable materials for an extended period of time
 - b. remove all metal elements from the packaging prior to placing them inside the microwave oven
 - c. when heating food in plastic or paper containers, check the microwave oven frequently due to the possibility of the container catching fire
32. WARNING: If the door or its seal is damaged, the microwave oven cannot be used until it is repaired by a qualified person.
33. WARNING: Any service or repair-related activities involving the removal of the cover shielding against microwave energy is dangerous and should be carried out by qualified persons.
34. WARNING: Liquids and other foods must not be heated in sealed containers as they may explode.
35. The microwave oven is intended for stand-alone use. Do not place the microwave oven in a cupboard.
36. Regular cleaning of the microwave oven and removal of food residue is recommended.
37. Failure to keep the microwave oven clean may result in deterioration of the surface, which may adversely affect the durability of the microwave oven and thus lead to dangerous situations.

The inside of the microwave oven should be kept clean. In the event of dirtying of the interior walls of the microwave oven remove the food particles or liquid spills with a damp cloth.


38. For heavy dirt use a mild detergent. Do not use cleaning agents containing abrasives.
39. Do not use cleaning agents in a spray form or other strong cleaning agents, as they may stain, streak or dull the surface of the microwave oven and the door.
40. The exterior surface of the microwave oven should be cleaned with a damp cloth. To avoid damage to the components inside the microwave oven make sure that no water drips through the ventilation holes inside.
41. Both sides of the door, window, door seal and adjacent parts should be regularly wiped with a damp cloth to remove any food residue or spilled liquids.
42. Do not allow the control panel to get wet. Clean it with a soft, damp cloth. Do not use detergents, abrasives or cleaning sprays to clean the control panel.
43. If water vapor collects inside the microwave oven or around the door, wipe it with a soft cloth. This can happen when the microwave oven is operated in conditions of high humidity, and when there are no signs of a fault in the device.
44. Periodically clean the glass turntable in warm, boiled water or in the dishwasher.
45. Do not heat eggs in shells or whole hard-boiled eggs in the microwave oven. They may explode even after completion of heating in the microwave oven.
-  46. Do not touch the microwave oven's hot surfaces (the door, top or bottom wall, and side walls). Use protective gloves when removing or touching any hot elements.
47. In order to provide additional protection, it is recommended to install residue current device (RCD) in the power circuit, with residual current rating not more than 30 mA. Contact professional electrician in this matter.
48. **WARNING:** Only then allow children to use the oven without supervision when proper instructions have been given to them so that they can use the oven safely and be aware of hazards resulting from improper use.
49. Metal containers for food and beverages are not allowed to be used in a microwave oven.

DESCRIPTION OF THE DEVICE (Fig. 1)

1. Door lock
2. Microwave oven window
3. Turntable support set
4. Opening the door
5. Control panel
6. Glass turntable

CONTROL PANEL (Fig. 2)

- 2.1. Timer 0-30 minutes
- 2.2. Knob for setting the power level

I:	low power – 20%
II:	low-medium power – 52%
III:	medium power – 73%
IIII	medium-high power – 88%
IIIII	high power – 100%
	defrosting – 42%

BEFORE FIRST USE

1. Make sure that all packaging has been removed from the inside of the microwave oven.
2. **Check that there are no signs of damage, such as a bent or warped door, damaged door seals, damaged contact surface, cracked or loose door hinges and latches, dent in the microwave oven or the door. In the event of any damage do not use the device and contact the service department.**
3. Do not expose the microwave oven to high temperatures or humidity and do not place nearby flammable materials.
4. Place the microwave oven on a flat, stable surface, which will withstand its weight.
5. Do not place anything on top of the microwave oven or block or cover the ventilation holes.

6. Do not remove the turntable shaft.
7. For the purpose of child safety never leave the device unattended during operation.

USING THE DEVICE

1. After placing the food in an appropriate dish on the glass turntable inside the microwave oven. Close the door of the microwave oven, set the desired power level (Fig. 2 .2) and cooking time on the timer (Fig. 2 .1).
- CAUTION: THE MICROWAVE OVEN WILL COMMENCE OPERATION IMMEDIATELY AFTER THE TIME IS SET.**
2. If the desired cooking time is less than 5 minutes, first turn the timer knob outside of the 5-minute line, then turn the timer knob back to set the appropriate time.
 3. **If the food was removed from the microwave oven before the set program time elapsed, ALWAYS TURN THE KNOB TO THE ZERO POSITION.**
 4. To stop the microwave oven, turn the timer knob to the zero position. If the door of the microwave oven is opened during the cooking process, the microwave oven will automatically stop working. Re-closing of the door will automatically re-start the microwave oven as per the previous settings. If the remaining time on the timer is not needed, turn the timer knob back to the zero position.
- CAUTION: OPERATING THE MICROWAVE OVEN WITHOUT ANY FOOD INSIDE MAY DAMAGE THE DEVICE.**

CLEANING AND MAINTENANCE

1. The microwave oven should be cleaned regularly and food residue should be regularly removed. Leaving the microwave oven uncleaned may cause damage to the surface, which in turn may negatively affect the lifespan of the device and lead to dangerous situations.
2. Prior to cleaning turn the microwave oven off and remove the plug from the socket.
3. The inside of the microwave oven should be kept clean. In the event of dirtying of the interior walls of the microwave oven remove the food particles or liquid spills with a damp cloth.
4. For heavy dirt use a mild detergent. Do not use cleaning agents containing abrasives.
5. Do not use cleaning agents in a spray form or other strong cleaning agents, as they may stain, streak or dull the surface of the microwave oven and the door.
6. The exterior surface of the microwave oven should be cleaned with a damp cloth. To avoid damage to the components inside the microwave oven make sure that no water drips through the ventilation holes inside.
7. Both sides of the door, window, door seal and adjacent parts should be regularly wiped with a damp cloth to remove any food residue or spilled liquids.
8. Do not allow the control panel to get wet. Clean it with a soft, damp cloth. Do not use detergents, abrasives or cleaning sprays to clean the control panel.
9. If water vapor collects inside the microwave oven or around the door, wipe it with a soft cloth. This can happen when the microwave oven is operated in conditions of high humidity, and when there are no signs of a fault in the device.
10. Periodically clean the glass turntable in warm, boiled water or in the dishwasher.
11. To avoid excessive noise during operation of the microwave oven regularly clean the turntable support and the base of the interior of the microwave oven. For this you may use a mild detergent, water or window cleaner. The turntable support may be washed in lukewarm water or in the dishwasher. After cleaning the turntable support make sure that it has been correctly fitted where it was prior to removal for cleaning.
12. Vapor from cooked food or liquid may collect during cooking. However, this does not affect the surface of the interior of the microwave oven and the turntable support ring.
13. To remove any residual odors after cooking, place a mixture of water and lemon juice or water and lemon peel in a microwave-safe dish inside the microwave oven. Heat this mixture for 5 minutes, then wipe the interior of the microwave oven with a soft cloth.
14. **WARNING:** The device cannot be cleaned using a steam vacuum cleaner

TECHNICAL DATA:

Power source: 230-240V ~50Hz Maximum power: 1100W Microwave power:700W

Frequency: 2450 MHz

Capacity of the microwave oven: 20 liters

Please transfer cardboard packaging to waste paper. Pour the polyethylene bags (PE) into the plastic container
Worn device should be returned to the appropriate point storage because it is dangerous in the device
ingredients may pose a threat to the environment. The electrical device should be handed over to limit
its reuse and use. If in the device there are batteries you have to take out and give to the point stored separately..



DEUTSCH

ALLGEMEINE SICHERHEITSVORSCHRIFTEN

LESEN SIE AUFMERKSAM WICHTIGE ANWEISUNGEN BEZÜGLICH DER SICHERHEIT DER BENUTZUNG UND BEWAHREN SIE DIESE FÜR DIE ZUKUNFT AUF

1. Vor dem ersten Gebrauch, die Bedienungsanleitung lesen und die dort angegebenen Hinweise beachten. Der Produzent trägt keine Verantwortung für Schäden, die aufgrund von bestimmungswidriger Nutzung oder unsachgemäßer Bedienung

- entstanden sind.
2. Das Gerät ausschließlich an die Steckdose 230-240V ~50Hz anschließen. Es darf nicht zu anderen, bestimmungswidrigen Zwecken benutzt werden.
 3. Wegen Vorsichtsmaßnahmen, sollten keine weiteren Geräte an den gleichen Stromkreis angeschlossen werden.
 4. Falls sich Kinder in der Nähe befinden, sollte bei der Nutzung des Gerätes spezielle Vorsicht bewahrt werden. Dieses Gerät ist nicht zum Spielen für Kinder, sowie für Erwachsene, die sich mit der Bedienungsanleitung nicht vertraut gemacht haben, geeignet.
 5. **WARNHINWEIS: Dieses Gerät kann von Kindern im Alter von über 8 Jahren sowie von Personen von einer beschränkten körperlichen, sensorischen, psychischen Fähigkeit oder von Personen, die keine Erfahrung oder kein Kenntnisse von dem Gerät haben, nur dann genutzt werden, wenn die Nutzung unter Aufsicht einer Person, welche die Verantwortung für deren Sicherheit trägt, stattfindet oder diesen Personen Ratschläge bezüglich der sicheren Benutzung des Geräts erteilt wurden und sie sich den mit seiner Benutzung verbundenen Gefahren bewusst sind. Kinder dürfen nicht mit dem Gerät spielen. Die Reinigung und die Unterhaltung des Geräts dürfen nicht von Kindern durchgeführt werden, es sei denn, dass diese Kinder im Alter von über 8 Jahren sind und diese Tätigkeiten unter Aufsicht durchgeführt werden.**
 6. Nach der Benutzung, den Stecker aus der Steckdose ziehen und dabei die Steckdose mit der Hand festhalten. NIEMALS am Kabel ziehen.
 7. Das Gerät nicht unbeaufsichtigt an der Steckdose angeschlossen lassen.
 8. Das Kabel, die Buchse, sowie das ganze Gerät nicht in Wasser oder andere Flüssigkeiten tauchen. Das Gerät vor Regen, Sonne usw. und vor Feuchtigkeit (z.B. im Badezimmer oder Campingwagen) schützen.
 9. Regelmäßig das Kabel prüfen. Falls das Kabel beschädigt ist, sollte es in einem spezialisierten Service ausgetauscht werden, um ev. Gefährdung zu vermeiden. Das Gerät vor Regen, Sonne usw. und vor Feuchtigkeit (z.B. im Badezimmer oder Campingwagen) schützen.
 10. Falls das Kabel oder ein anderer Teil des Gerätes beschädigt oder das Gerät fallen gelassen wurde oder nicht ordnungsgemäß arbeitet, sollte es nicht benutzt werden. Das Gerät darf nicht durch unbefugte Personen repariert werden, da die Gefahr eines Stromstoßes besteht. Ein beschädigtes Gerät in einem spezialisierten Service zur Kontrolle oder Reparatur abgeben. Jegliche Reparaturen dürfen nur durch einen spezialisierten Service vorgenommen werden. Eine nicht korrekt ausgeführte Reparatur kann das Leben des Benutzers gefährden.
 11. Das Gerät auf eine kühle, gerade Fläche, entfernt von wärmeausstrahlenden Geräten, wie: Elektroherd, Gasherd, usw. stellen.
 12. Das Gerät nicht in der Nähe von leicht entzündlichen Materialien benutzen.
 13. Die Speiseleitung darf nicht von der Tischkante herunterhängen oder heiße Flächen berühren.
 14. Vor der Reinigung oder nach der Beendigung der Benutzung ist der Stecker aus der Steckdose zu ziehen, indem die Steckdose mit der Hand festgehalten wird. Ziehen Sie NICHT an dem Netzkabel.
 15. Der Mikrowellenherd darf nicht ohne ordnungsgemäß aufgesetzten Glasdreheller und Tellerdrehführung verwendet werden.
 16. Der Mikrowellenherd darf ausschließlich zur Zubereitung von Lebensmitteln und nicht

zu anderen Zwecken verwendet werden. Benutzen Sie die Mikrowelle nicht zum Trocknen von Kleidung, Papier oder anderen nicht zu Lebensmitteln gehörenden Artikeln. Verwenden Sie das Gerät nicht zur Sterilisation.

17. Den Mikrowellenherd nicht benutzen, wenn er leer ist, sonst kann es zu Beschädigungen des Gerätes kommen.
18. Im Innenraum des Mikrowellenherdes dürfen keine Gegenstände wie z.B. Papier, Bücher usw. aufbewahrt werden.
19. Lebensmittel mit dicken Schalen wie Kartoffeln, Äpfel oder Kastanien sind vor dem Kochen ein paar Mal anzustechen.
20. Stecken Sie keine Gegenstände in die Öffnungen des Gehäuses.
21. Entfernen Sie niemals irgendwelche Teile vom Mikrowellenherd. **VORSICHT:** Entfernen Sie nicht den Deckel.

Quelle für Mikrowellenstrahlung und Hochspannung.

22. Legen Sie die Lebensmittel, die zubereitet werden sollen, niemals direkt auf den Drehteller. Die Speisen, die zubereitet werden sollen, sind immer auf zum Gebrauch im Innenraum des Mikrowellenherdes geeignetes Geschirr zu legen.
23. Benutzen Sie nur Geschirr, welches für die Benutzung in Mikrowellenherden geeignet ist.
24. Es ist eine entsprechende Höhe des freien Raums über der Oberfläche der Mikrowelle (mindestens 30 cm) zu halten.
25. Im Mikrowellenherd dürfen keine Lebensmittel gebraten werden. Das erhitzte Öl kann Teile des Mikrowellenherds und Geschirr beschädigen sowie Hautverbrennungen verursachen.
26. **WARNHINWEIS: Die erwärmte Flüssigkeit im Behälter ist sehr heiß, selbst auch dann, wenn der Behälter nach dem Kochvorgang und dem Herausnehmen aus dem Mikrowellenherd beim Anfassen nicht heiß erscheint.**
27. Das Erhitzen von Getränken in der Mikrowelle kann das spätere Explosionssieden verursachen, deshalb ist bei einer Arbeit an dem Behälter Vorsicht walten zu lassen.
28. Der Inhalt von Flaschen zum Füttern von Kindern und der Gläser mit Lebensmitteln für Kinder ist zu vermischen oder zu schütteln sowie seine Temperatur ist vor der Verabreichung zum Essen zu prüfen, um Verbrennungen zu vermeiden.
29. Wenn Sie Rauch bemerken, schalten Sie den Mikrowellenherd aus, ziehen Sie den Stecker aus der Steckdose und lassen Sie die Tür geschlossen, um die Flammen zu ersticken.
30. Das Küchengeschirr kann sich durch Wärmeübertragung aus warmgemachten Speisen erwärmen. Zum Tragen von Geschirr verwenden Sie entsprechende Griffe.
31. Um die Gefahr eines Brandes im Innenraum des Mikrowellenherdes einzuschränken, sind folgende Regeln zu beachten:
 - a. Speisen in Behältern aus Papier, Kunststoff oder anderen leicht brennbaren Stoffen dürfen nicht zu lange gekocht werden
 - b. Alle Metallverschlüsse von Verpackungen sind zu entfernen, bevor sie in den Mikrowellenherd gelegt werden
 - c. Während der Erwärmung von Lebensmitteln in Behältern aus Kunststoff oder Papier ist der Mikrowellenherd mit Rücksicht auf die Möglichkeit der Entzündung des Behälters häufig zu prüfen.
32. **WARNHINWEIS:** Wenn die Tür oder ihre Dichtung beschädigt sind, darf der Mikrowellenherd nicht betrieben werden, bevor er nicht von einer qualifizierten Person repariert wird.

33. WARNHINWEIS: Die Durchführung irgendwelcher Service- und Reparaturtätigkeiten, die mit einem Wegnehmen der Haube, die vor der Mikrowellenenergie schützt, verbunden sind, ist gefährlich und darf nur von entsprechend qualifizierten Personen durchgeführt werden.
34. WARNHINWEIS: Flüssigkeiten und Lebensmittel dürfen nicht in dichten Behältern erwärmt werden, weil diese explodieren können.
35. Der Mikrowellenherd ist für die Benutzung als frei stehendes Gerät bestimmt. Der Mikrowellenherd darf nicht in einem Schrank untergebracht werden.
36. Es wird eine regelmäßige Reinigung des Mikrowellenherdes und die Entfernung von Lebensmittelresten empfohlen.
37. Vernachlässigungen in Bezug auf die Sauberhaltung des Mikrowellenherdes können zur Verschlechterung des Zustands der Oberflächen führen. Dies hat einen ungünstigen Einfluss auf die Lebensdauer des Mikrowellenherdes und kann im Endergebnis zu gefährlichen Situationen führen.
Der Innenraum des Mikrowellenherdes ist sauber zu halten. Wenn Speisereste oder verspritzte Flüssigkeiten an den Wänden zurück bleiben, sind diese mit einem feuchten Tuch zu reinigen.
38. Bei einer starken Verschmutzung ist ein mildes Detergens zu verwenden. Reinigungsmittel, die Stoffe mit schleifender Wirkung enthalten, dürfen nicht verwendet werden.
39. Keine Reinigungssprays oder andere starke Reinigungsmittel verwenden, weil sie Flecken, Streifen oder ein Mattwerden der Oberfläche der Mikrowelle oder der Tür verursachen können.
40. Die äußere Oberfläche des Mikrowellenherdes sollte mit einem feuchten Tuch gereinigt werden. Um eine Beschädigung der inneren Teile des Mikrowellenherdes auszuschließen, ist darauf zu achten, dass kein Wasser durch die Belüftungsöffnungen in den Innenraum des Gerätes eindringt.
41. Beide Türseiten, das Türschauglas, die Türabdichtung und alle um diese herum liegenden Teile sind mit einem feuchten Tuch zu reinigen, um jegliche Speisereste oder verspritzte Flüssigkeiten zu entfernen.
42. Eine Befeuchtung der Bedien- und Anzeigefläche ist auszuschließen. Diese ist mit einem weichen, feuchten Tuch zu reinigen. Zur Reinigung des Kontrollpanels benutzen Sie keine Detergentia, Schleifmittel oder Reinigungssprays.
43. Wenn sich im Inneren des Mikrowellenherds oder um die Tür herum Wasserdampf ansammelt, ist dieser mit einem weichen Tuch abzuwischen. Dieser Fall kann eintreten, wenn der Mikrowellenherd in einem feuchten Umfeld arbeitet und es keine Fehlermeldungen des Gerätes gibt.
44. Ab und zu ist es notwendig, den Glasdrehsteller in warmem Wasser oder in der Geschirrspülmaschine zu spülen.
45. Eier mit Schalen oder ganze hart gekochte Eier nicht im Mikrowellenherd aufwärmen. Sie können auch nach der Beendigung des Kochvorgangs im Mikrowellenherd explodieren.



46. Die heißen Flächen des Mikrowellenherds (Tür, Decke und Boden sowie Seitenwände) dürfen nicht berührt werden. Zum Herausnehmen oder Berühren aller heißen Elemente sind Schutzhandschuhe zu tragen.

47. Es wird empfohlen, für zusätzlichen Schutz den Fehlerstromschutzschalter (RCD), dessen Bemessungsdifferenzstrom 30 mA nicht übersteigt, zu installieren. In diesem Bereich wenden Sie sich an einen Fachelektriker.

48. **WARNUNG:** Lassen Sie Kinder den Ofen nur dann unbeaufsichtigt benutzen, wenn ihnen die richtigen Anweisungen gegeben wurden, damit sie den Ofen sicher benutzen können und auf Gefahren achten können, die durch nicht bestimmungsgemäße Verwendung entstehen.
49. Metallbehälter für Speisen und Getränke dürfen nicht in einem Mikrowellenherd verwendet werden.

BESCHREIBUNG DES GERÄTES (Abb. 1)

1. Türsicherheitsschloss
2. Türschauglas
3. Tellerdrehführung
4. Türaufmachen
5. Bedienungspult
6. Glasdrehteller

Bedienungspult (Abb. 2)

- 2.1. Zeiteinstellungsknopf 0-30 Minuten
- 2.2. Drehknopf zur Einstellung der Leistung
 - I: niedrige Leistung – 20 %
 - II: mittel-niedrige Leistung – 52 %
 - III: mittelbare Leistung – 73 %
 - IIII: mittelhohe Leistung – 88 %
 - IIIII: hohe Leistung – 100 %
 - ☼: Auftauen – 42%

VOR DEM ERSTEM GEBRAUCH

1. Vergewissern Sie sich, dass sämtliches Verpackungsmaterial aus dem Innenraum des Mikrowellenherdes entfernt ist.
2. **Kontrollieren Sie den Mikrowellenherd, ob er nicht beschädigt ist wie z.B. gekrümmte oder verzogene Tür, beschädigte Türabdichtung, Stoßfläche, zerbrochene oder lose Türscharniere und Sicherheitsschloss sowie Verbeulungen im Innenraum oder an der Tür.** Sollten Sie eine Beschädigung finden, den Herd nicht benutzen und den Kundendienst anrufen.
3. Den Mikrowellenherd nicht in einem heißen und feuchten Umfeld oder in der Nähe von brennbaren Stoffen aufstellen.
4. Der Mikrowellenherd ist auf eine ebene, stabile Oberfläche zu stellen, die sein Gewicht aushält.
5. Keine Gegenstände auf den Mikrowellenherd stellen und keine Lüftungsöffnungen auf dem Gerät bedecken.
6. Die Antriebswelle des Drehtellers nicht herausnehmen.
7. Wenn kleine Kinder in der Nähe sind, dann lassen Sie das Gerät niemals unbeaufsichtigt.

BENUTZUNG DES GERÄTES

1. Legen Sie die Speise im entsprechenden Geschirr auf den Glasdrehteller im Innenraum des Mikrowellenherdes. Dann machen Sie die Tür zu, stellen Sie eine entsprechende Leistung (Abb. 2. 2) und Zeit mit dem Zeiteinstellungsknopf ein (Abb. 2. 1).
- ACHTUNG: DIREKTNACH DER ZEITEINSTELLUNG, WIRD DER MIKROWELLENHERD IN BETRIEB GESETZT.**
2. Sollte die Kochzeit kürzer als 5 Minuten sein, so drehen Sie zuerst den Zeiteinstellungsknopf unterhalb der Linie, die 5 Minuten anzeigt, und dann drehen Sie den Zeiteinstellungsknopf zurück, um die richtige Zeit einzustellen.
 3. **Wurde die Speise aus dem Innenraum des Mikrowellenherdes herausgenommen, bevor die eingestellte Zeit abgelaufen ist, so DREHEN SIE DEN ZEITEINSTELLUNGSKNOPF UNBEDINGT AUF DIE NULLSTELLUNG ZURÜCK.**
 4. Drehen Sie mit dem Zeiteinstellungsknopf auf die Nullstellung, um den Betrieb des Mikrowellenherdes zu stoppen. Wird die Tür des Mikrowellenherdes während der Kochzeit aufgemacht, hört das Gerät automatisch auf, zu arbeiten. Durch wiederholtes Aufmachen der Tür wird der Betrieb des Mikrowellenherdes nach den früher gewählten Einstellungen betätigt. Wird die übrig gebliebene Kochzeit nicht mehr benötigt, so drehen Sie mit dem Zeiteinstellungsknopf auf die Nullstellung zurück.
- ACHTUNG: SCHALTEN SIE DEN MIKROWELLENHERD NICHT EIN, WENN ES IM INNENRAUM KEINE SPEISE GIBT, SONST KANN ES ZU BESCHADIGUNGEN DES GERÄTES KOMMEN.**

REINIGUNG UND WARTUNG

1. Der Mikrowellenherd ist regelmäßig zu reinigen und jegliche Speiseüberreste sind zu entfernen. Wenn Speiseüberreste im Mikrowellenherd bleiben, kann dies zur Beschädigung der Oberfläche führen, was folglich die Lebensdauer des Gerätes beeinträchtigt und zu Gefahren führen kann.
2. Vor der Reinigung den Mikrowellenherd ausschalten und vom Stromnetz abtrennen.
3. Den Innenraum des Mikrowellenherdes rein halten. Wenn Speisereste oder verspritzte Flüssigkeiten an den Wänden bleiben, diese mit einem feuchten Tuch reinigen.
4. Bei einer starken Verschmutzung ein mildes Reinigungsmittel verwenden. Keine Schleifmittel verwenden.
5. Keine Sprüh- oder anderen starken Reinigungsmittel verwenden, weil sie die Flecken, Streifen oder eine Einschränkung der Sicht durch Tür verursachen können.

6. Die äußere Oberfläche des Mikrowellenherdes sollte mit einem feuchten Tuch gereinigt werden. Um eine Beschädigung der inneren Teile des Mikrowellenherdes auszuschließen, verhindern Sie, dass Wasser durch die Belüftungsöffnungen in den Innenraum des Gerätes eindringt.
7. Beide Türlseiten, das Türschauglas, die Türabdichtung und alle nahe liegenden Teile mit einem feuchten Tuch reinigen, um jegliche Speisereste oder verspritzte Flüssigkeiten zu entfernen.
8. Nicht gestatten, dass der Bedienungspult nass wird. Er ist mit einem weichen, feuchten Tuch zu reinigen. Zur Reinigung des Bedienungspultes verwenden Sie keine Detergens, Schleif- oder Sprühmittel.
9. Tritt Dampf innerhalb des Mikrowellenherdes oder um die Tür herum, wischen Sie ihn mit einem feuchten Tuch ab. Diese Situation kann dann vorkommen, wenn der Mikrowellenherd in einem feuchten Umfeld arbeitet und es keine Fehleranzeigen des Gerätes gibt.
10. Ab und zu ist es notwendig, den Glasdreheller in warmem Wasser oder in der Geschirrspülmaschine zu spülen.
11. Reinigen Sie regelmäßig die Tellerdrehführung und die Unterseite des Mikrowellenherdes, um zu hohen Geräuschen entgegenzuwirken. Zu diesem Zweck können Sie einen milden Detergens, Wasser oder ein Fensterreinigungsmittel verwenden. Die Tellerdrehführung kann in lauem Wasser oder in der Geschirrspülmaschine gespült werden. Nach dem Waschen vergewissern Sie sich, dass Sie die Tellerdrehführung richtig aufgesetzt haben, d.h. an dieselbe Stelle, wo sie sich vor der Demontage befand.
12. Während des Kochens kann sich der von gekochten Speisen oder Flüssigkeiten kommende Dampf sammeln. Dies beeinflusst jedoch keinerlei die Oberfläche des Innenraumes des Mikrowellenherdes und der Tellerdrehführung.
13. Stellen Sie in den Innenraum des Mikrowellenherdes Wasser und eine Lösung von Zitronensaft oder Wasser und Zitronenschalen in einem zum Gebrauch im Mikrowellenherd geeigneten Geschirr, um die nach dem Kochen übrig gebliebenen Gerüche zu beseitigen. Dann erwärmen Sie die Zitronenlösung 5 Minuten lang und anschließend trocknen Sie den Innenraum des Mikrowellenherdes mit einem weichen Tuch.
14. **WARNUNG:** Das Gerät kann nicht mit einem Dampfsauger gereinigt werden

TECHNISCHE DATEN:

Spannung: 230-240V ~50Hz Max. Leistung: 1100W Mikrowellenleistung: 700W

Betriebsfrequenz: 2450 MHz

Volumen: 20 Liter



Den Pappkarton im Altpapier entsorgen. Polyäthylenbeutel (PE) in dem Behälter für Kunststoff entsorgen. Das abgenutzte Gerät zum Recycling zu einer offiziellen Sammelstelle bringen, da es gefährliche Substanzen enthält, die die Umwelt gefährden können. Das Gerät sollte in einer Form abgegeben werden, die eine weitere Nutzung unmöglich macht. Wenn es Batterien enthält, sollten diese rausgenommen und separat an einer Sammelstelle abgegeben werden. **Das Gerät darf nicht in den Hausmüll rausgeworfen werden!!**

FRANÇAIS

CONSIGNES DÉTAILLÉES DE SÉCURITÉ

INSTRUCTIONS IMPORTANTES CONCERNANT LA SÉCURITÉ D'UTILISATION. LISEZ-LES ATTENTIVEMENT ET CONSERVEZ-LES POUR L'AVENIR

1. Avant de commencer l'utilisation de l'appareil, lisez le mode d'emploi et suivez ses instructions. **Le fabricant ne peut pas être tenu responsable de tout endommagement provoqué par une utilisation de l'appareil inappropriée ou non conforme à son usage prévu.**
2. L'appareil n'est prévu qu'à un usage domestique. Ne pas l'utiliser à d'autres fins non conformes à son usage prévu.
3. L'appareil ne doit être branché que sur une prise de courant avec terre 230-240V ~50Hz. Afin d'augmenter la sécurité de l'utilisation, éviter de brancher sur le même circuit plusieurs appareils électriques.
4. Rester particulièrement prudent lors de l'utilisation de l'appareil s'il y a des enfants à proximité. Ne pas permettre aux enfants de jouer avec l'appareil. Ne pas permettre aux enfants ou aux personnes ne connaissant pas l'appareil de l'utiliser.
5. **AVERTISSEMENT : Cet appareil peut être utilisé par les enfants de plus de 8 ans et par des personnes dont les capacités physiques, sensorielles ou mentales sont réduites ou par des personnes n'ayant pas d'expérience ou de connaissance de cet appareil SI cela s'effectue sous surveillance d'une personne responsable de la sécurité ou qu'ils ont reçu des instructions concernant une utilisation sûre de l'appareil et qu'ils sont conscients des risques afférents à son utilisation. Les enfants ne doivent pas jouer avec**


l'appareil. Le nettoyage et l'entretien de l'appareil ne doivent pas être effectués par les enfants sauf s'ils ont plus de 8 ans et que ces activités sont surveillées.

6. Après utilisation retirer toujours la fiche de la prise de courant en maintenant la prise avec la main. NE PAS tirer sur le cordon d'alimentation.
7. Ne pas laisser l'appareil branché sur le secteur sans surveillance.
8. Ne pas tremper le fil, la fiche ou tout l'appareil dans l'eau ou tout autre liquide. Ne pas exposer l'appareil aux agents atmosphériques (pluie, soleil etc.) ni ne l'utiliser dans des conditions d'humidité excessive (dans des salles de bains, des mobil-homes humides etc.)
9. Vérifier périodiquement l'état du cordon d'alimentation. **Si le cordon d'alimentation subit un endommagement, il doit être changé par un service de réparation spécialisé afin d'éviter tout danger.**
10. Ne pas utiliser l'appareil si son cordon d'alimentation a été endommagé ou qu'il est tombé ou a été endommagé de toute autre manière ou qu'il ne fonctionne pas correctement. Ne pas réparer l'appareil tout seul car cela présente un risque d'électrocution. Remettre l'appareil endommagé dans un service de réparation approprié afin de le vérifier ou d'effectuer une réparation. **Seuls les services de réparation agréés sont habilités à effectuer toute réparation. Une réparation mal effectuée peut provoquer un danger grave pour l'utilisateur.**
11. Poser l'appareil sur une surface fraîche, stable et plane, loin des appareils de cuisine qui chauffent tels que la cuisinière électrique, les brûleurs électriques etc.
12. Ne pas utiliser l'appareil à proximité des matières inflammables.
13. Le cordon d'alimentation ne peut pas pendre au-delà du bord de la table ou toucher des surfaces brûlantes.
14. Avant de nettoyer l'appareil ou après avoir fini de l'utiliser, retirer la fiche de la prise secteur en maintenant la prise avec la main. NE PAS tirer sur le cordon d'alimentation.
15. Ne pas utiliser le four micro-onde en absence du plateau tournant et de l'anneau de roulement correctement installés.
16. Ne pas utiliser le four micro-ondes à des fins autres que la cuisson des aliments. Ne pas utiliser le four pour faire sécher des vêtements, du papier ou tout autre article non alimentaire. Ne pas utiliser les micro-ondes pour stériliser.
17. Ne jamais allumer le four quand il est vide car cela peut endommager l'appareil.
18. Ne pas entreposer dans le four de produits tels que le papier, les livres etc.
19. Les produits alimentaires dont la peau est épaisse tels que les pommes de terre, les pommes ou les marrons doivent être piqués à plusieurs endroits avant la cuisson.
20. N'insérer aucun objet dans les ouvertures à l'extérieur de l'appareil.
21. Ne jamais supprimer aucun accessoire du four micro-ondes. ATTENTION: Ne retirez pas le couvercle. Source de rayonnement hyperfréquence et haute tension.
22. Ne cuire en aucun cas les aliments directement sur le plateau tournant. Toujours placer les aliments dans un récipient adapté à une utilisation aux micro-ondes.
23. N'utiliser que les récipients qui se prêtent à une utilisation aux micro-ondes.
24. Garder au moins 30 cm d'espace libre nécessaire au-dessus du four.
25. Ne pas faire frire d'aliments dans le four micro-ondes. Une huile brûlante peut endommager une partie du four ou du récipient et peut occasionner des brûlures de la peau.
26. **AVERTISSEMENT : Les liquides chauffés dans les récipients sont brûlants même si le récipient n'est pas très chaud au toucher après la fin de cuisson et après être retiré du four.**
27. Le réchauffage des boissons aux micro-ondes peut entraîner une ébullition tardive et

explosive. Il faut donc faire attention en manipulant le récipient.

28. Le contenu des biberons et des petits pots pour bébé doit être remué ou secoué. Vérifier la température avant de les servir au bébé afin d'éviter le risque de brûlures.
29. En cas de constat de la présence de la fumée, éteindre le four, retirer la fiche de la prise de courant et laisser la porte fermée afin d'étouffer les flammes.
30. Les ustensiles de cuisine peuvent chauffer suite au transfert de la chaleur depuis les aliments réchauffés. Utiliser des poignées appropriées afin de déplacer les ustensiles chauds.
31. Afin de diminuer le risque d'incendie à l'intérieur du four micro-ondes, respecter les règles suivantes :
 - a. ne pas cuire trop longtemps les aliments dans des récipients en papier, en plastique ou en toute autre matière inflammable.
 - b. enlever tous les éléments d'emballage en métal avant de les mettre dans le four micro-ondes
 - c. en faisant chauffer les aliments dans des récipients en matière synthétique ou en papier, vérifier systématiquement le four compte tenu du risque d'inflammation du récipient.
32. **AVERTISSEMENT** : Si la porte ou son joint est endommagée, le four ne peut fonctionner qu'après être réparé par un professionnel qualifié.
33. **AVERTISSEMENT** : Les activités d'entretien et de réparation entraînant le retrait du couvercle de protection contre l'énergie de micro-ondes sont dangereuses et ne peuvent être effectuées que par des personnes qualifiées.
34. **AVERTISSEMENT** : Ne pas faire chauffer de liquides ou d'autres articles alimentaires enfermés dans des récipients étanches car ils risquent d'exploser.
35. Le four n'est pas prévu pour être encastrable. Ne pas l'installer dans un placard.
36. Il est conseillé de nettoyer régulièrement la micro-onde et d'éliminer les dépôts de nourriture.
37. Des négligences dans l'entretien du four peuvent entraîner une détérioration de sa surface, ce qui peut avoir un effet négatif sur la durée de vie de l'appareil et provoquer des situations dangereuses.
Maintenir l'intérieur du four propre. Si les parois intérieures du four sont sales, enlever les débris alimentaires ou le liquide déversé à l'aide d'un chiffon humide.
38. Si le four est très sale, utiliser un détergent non agressif. Ne pas utiliser de nettoyeurs contenant des substances abrasives.
39. Ne pas utiliser de produits nettoyants en spray ou d'autres produits agressifs car ils peuvent tacher la surface du four et de la porte, la rendre mâte ou y laisser des traces.
40. Nettoyer la surface extérieure du four avec un chiffon humide. Afin d'éviter d'endommager les sous-ensembles situés à l'intérieur du four micro-ondes, veiller à ce que l'eau ne pénètre pas à l'intérieur à travers les ouïes de ventilation.
41. Pour enlever tous les débris alimentaires ou les liquides, passer systématiquement un coup de chiffon humide sur les deux côtés de la porte, du hublot, sur les joints de la porte et les parties voisines.
42. Eviter de mouiller le panneau de commande. Le nettoyer à l'aide d'un chiffon doux et humide. Ne pas utiliser de détergents, de produits abrasifs ou de sprays nettoyants pour nettoyer le panneau de commande.
43. Si à l'intérieur du four ou autour de la porte la vapeur se dépose, l'essuyer à l'aide d'un chiffon doux. Une telle situation peut survenir lorsque le four fonctionne dans des

conditions d'humidité élevée sans qu'il y ait des signes d'endommagement de l'appareil.

44. Nettoyer périodiquement le plateau tournant en verre à l'eau chaude ou au lave-vaisselle.
45. Ne pas réchauffer au micro-ondes d'œufs en coquilles ou d'œufs durs entiers. Ils peuvent exploser même après la fin de réchauffage au micro-ondes.
-  46. Ne pas toucher les surfaces chaudes du four (la porte, les parois : inférieure, supérieure et latérales). Il convient d'utiliser des gants de protection pour retirer ou toucher tout élément chaud.
47. Afin d'assurer une protection supplémentaire, il est conseillé d'installer dans le réseau électrique un appareil à courant différentiel nominal ne dépassant pas 30 mA. Pour cela il faut contacter un électricien spécialisé.
48. **AVERTISSEMENT:** n'autorisez les enfants à utiliser le four sans surveillance que lorsque les instructions appropriées leur ont été données afin qu'ils puissent utiliser le four en toute sécurité et qu'ils soient conscients des risques résultant d'une utilisation incorrecte.
49. Les récipients en métal pour aliments et boissons ne doivent pas être utilisés dans un four à micro-ondes.

DESCRIPTION DE L'APPAREIL (image 1)

1. Blocage de la porte
2. Hublot du four
3. Ensemble de l'anneau tournant
4. Ouverture de porte
5. Panneau de commande
6. Plateau tournant en verre

PANNEAU DE COMMANDE (image 2)

- 2.1. Minuterie : 0-30 minutes
- 2.2. Sélecteur rotatif de réglage de puissance
 - I : faible puissance – 20%
 - II : puissance moyennement faible – 52%
 - III : puissance moyenne – 73%
 - IIII : puissance moyennement forte – 88%
 - IIIII : forte puissance – 100%
 - ☼ : décongélation – 42%

AVANT PREMIERE UTILISATION

1. S'assurer que tout les éléments d'emballage ont été enlevés de l'intérieur du four.
2. **Vérifier que l'appareil ne présente pas de signes d'endommagement tels que la porte de travers ou défectueuse, les joints de porte défectueux, la surface de contact détériorée, les charnières et les loquets de la porte cassés ou desserrés, la déformation d'une paroi ou de la porte du four.** En cas de tout endommagement constaté, ne pas utiliser l'appareil et contacter le service de réparation.
3. Ne pas exposer le four micro-ondes à une température ou une humidité relative élevée et ne pas le placer à proximité de matières inflammables.
4. Placer le four micro-ondes sur une surface plane et stable qui supportera son poids.
5. Ne rien poser sur le four et ne pas boucher les ouïes de ventilation.
6. Ne pas sortir le rouleau d'entraînement du plateau tournant.
7. En présence d'enfants ne jamais laisser l'appareil fonctionner sans surveillance.

UTILISATION DE L'APPAREIL

1. Mettre les aliments dans un récipient approprié et le placer sur le plateau tournant en verre à l'intérieur du four. Fermer la porte du four, régler le niveau de puissance souhaité (image 2. 2) et le temps de cuisson/réchauffage sur la minuterie (image 2. 1).
ATTENTION : LE FOUR SE MET EN MARCHÉ DIRECTEMENT APRES AVOIR REGLE LE TEMPS DE CUISSON.
2. Si le temps de cuisson souhaité est inférieur à 5 minutes, tourner la commande rotative de la minuterie d'abord au-delà de 5 minutes, puis revenir en arrière pour régler le temps exact de cuisson.
3. **Si le plat a été sorti du four avant le temps programmé se soit écoulé, FAIRE RECULER IMPERATIVEMENT LA COMMANDE**

ROTATIVE DE MINUTERIE SUR LA POSITION ZERO.

4. Afin d'arrêter le four, tourner la minuterie jusqu'à la position zéro. Si la porte du four a été ouverte lors du fonctionnement, l'appareil s'arrêtera automatiquement. Après avoir refermé la porte, le four se remettra automatiquement en marche suivant les réglages effectués. Si le temps qui reste n'est plus nécessaire, tourner le sélecteur rotatif de la minuterie vers la position zéro.

ATTENTION : LA MISE EN MARCHÉ DU FOUR A VIDE RISQUE D'ENDOMMAGER L'APPAREIL.

NETTOYAGE ET ENTRETIEN

1. Nettoyer régulièrement le four et enlever tous les dépôts de nourriture. Si le four est laissé sans être nettoyé, cela peut endommager les surfaces concernées, ce qui peut par la suite raccourcir la durée de vie de l'appareil et provoquer un danger.
2. Avant de procéder au nettoyage, éteindre le four et retirer la fiche du cordon d'alimentation de la prise secteur.
3. Maintenir l'intérieur du four propre. Si les parois intérieures du four sont sales, enlever les débris des aliments ou les liquides déversés à l'aide d'un chiffon humide.
4. Si le four est très sale, utiliser un détergent non agressif. Ne pas utiliser de nettoyeurs contenant des substances abrasives.
5. Ne pas utiliser de produits nettoyants en spray ou d'autres produits agressifs car ils peuvent tacher la surface du four et de la porte, la rendre mâte ou y laisser des traces.
6. Nettoyer la surface extérieure du four avec un chiffon humide. Afin d'éviter l'endommagement des sous-ensembles situés à l'intérieur du four micro-ondes, veiller à ce que l'eau ne pénètre pas à l'intérieur à travers les ouïes de ventilation.
7. Pour enlever tous les débris des aliments ou les liquides, passer systématiquement un coup de chiffon humide sur les deux côtés de la porte, du hublot, sur les joints de la porte et sur les parties voisines.
8. Éviter de mouiller le panneau de commande. Le nettoyer à l'aide d'un chiffon doux et humide. Ne pas utiliser de détergents, de produits abrasifs ou de sprays nettoyants pour nettoyer le tableau de commande.
9. Si à l'intérieur du four ou autour de la porte la vapeur se dépose, l'essuyer à l'aide d'un chiffon doux. Une telle situation peut avoir lieu lorsque le four fonctionne dans des conditions d'humidité élevée sans qu'il y ait des signes d'endommagement de l'appareil.
10. Nettoyer périodiquement le plateau tournant en verre dans de l'eau chaude ou au lave-vaisselle.
11. Afin d'éviter un bruit trop intense lors du fonctionnement du four, nettoyer régulièrement l'anneau tournant et la paroi inférieure à l'intérieur du four. A cet effet, il est possible d'utiliser un détergent non agressif, l'eau ou un nettoyant pour vitres. On peut laver l'anneau tournant à l'eau tiède ou au lave-vaisselle. Après avoir fini de nettoyer l'anneau tournant, s'assurer qu'il a été remis correctement à sa place (là, où il se trouvait avant qu'il soit démonté pour le nettoyage).
12. Lors de la cuisson/ du réchauffage, la vapeur émise par les aliments ou les liquides peut se concentrer dans le four. Cela n'a aucun effet sur la surface des parois intérieures du four ni sur l'anneau de roulement.
13. Afin de supprimer les odeurs qui persistent après la cuisson, mettre dans le four un mélange d'eau et de jus de citron (ou de zestes de citron) dans un récipient adapté à la cuisson au micro-ondes. Puis, faire chauffer ce mélange pendant 5 minutes. Ensuite, essuyer les parois intérieures avec un chiffon doux.
14. AVERTISSEMENT: l'appareil ne peut pas être nettoyé avec un nettoyeur à vapeur

CARACTERISTIQUES TECHNIQUES :

Tension d'alimentation : 230-240V ~50Hz Puissance max : 1100W Puissance des micro-ondes : 700W

Fréquence : 2450 MHz

Capacité du four : 20 litres



Respect de l'environnement. Nous vous prions de bien vouloir trier les emballages en carton ainsi que les sachets plastiques (en polyéthylène). L'appareil usagé ne doit pas être jeté à la poubelle mais remis au point de collecte prévu à cet effet car il contient des éléments pouvant être nocifs pour l'environnement. L'appareil électrique doit être remis de manière à limiter au maximum une éventuelle utilisation ultérieure. Si l'appareil contient des piles, il faut les retirer et les remettre à un autre point de collecte. Ne pas jeter l'appareil dans une poubelle de déchets ménagers !!!

ESPAÑOL

CONDICIONES GENERALES DE SEGURIDAD

INSTRUCCIONES IMPORTANTES DE SEGURIDAD PARA EL USUARIO POR FAVOR LEA ATENTAMENTE Y GUÁRDELAS PARA CONSULTAR EN EL FUTURO


1. Antes de operar la máquina, lea el manual de instrucciones y siga las instrucciones que contiene. **El fabricante no se hace responsable de los daños causados por el uso inadecuado al destinado o por una manipulación incorrecta.**
2. El dispositivo se utiliza exclusivamente para uso doméstico. No los utilice para otros fines distintos a los previstos.
3. El dispositivo debe ser conectado únicamente a la toma de 230-240V ~50Hz. Con el fin de aumentar la seguridad no se deben conectar simultáneamente a un circuito muchos aparatos eléctricos.
4. Al usar el dispositivo se debe tener mucha precaución cuando haya niños cerca. No

permita que los niños jueguen con el dispositivo y lo usen los niños o personas que no estén familiarizados con el dispositivo.

5. **ADVERTENCIA: Este dispositivo puede ser utilizado por niños mayores de 8 años y personas con capacidades físicas, sensoriales o mentales limitadas, sin experiencia y conocimiento, si lo hacen bajo la supervisión de una persona responsable de su seguridad y que tenga información sobre el uso seguro del dispositivo y sea consciente de los peligros asociados con su uso. Los niños no deben jugar con el dispositivo. La limpieza y el mantenimiento no deben ser realizados por los niños, a menos que sean mayores de 8 años y lo hagan bajo supervisión.**
6. Siempre después del uso, retire el enchufe de la toma de corriente sujetando la toma de corriente con la mano. No tire del cable de alimentación.
7. No deje el dispositivo conectado a la toma de corriente sin supervisión.
8. No sumerja el cable, el conector y el dispositivo entero en el agua u otros líquidos. No exponga el dispositivo a las condiciones atmosféricas (lluvia, sol, etc.) ni lo use en condiciones de alta humedad (baños, bungalows húmedos).
9. Controle periódicamente el estado del cable. **Si el cable está dañado, debe ser sustituido por un técnico especializado con el fin de evitar peligros.**
10. No utilice el dispositivo si el cable está dañado o si el dispositivo se ha caído o ha sido dañado de alguna manera o no funciona correctamente. No intente reparar el sistema usted mismo, ya que puede provocar un electrochoque. Lleve el dispositivo defectuoso a un centro de servicio apropiado para su comprobación y reparación. **Las reparaciones sólo pueden realizarla los puntos de servicio autorizados. Una reparación incorrecta puede resultar en graves daños para el usuario.**
11. Coloque el aparato sobre una superficie estable, fría, equilibrada, lejos de los aparatos de cocina que se calientan, tales como: cocina eléctrica, quemador de gas, etc.
12. No utilice el aparato cerca de los materiales inflamables.
13. El cable de alimentación no debe colgar fuera del borde de la mesa ni tocar las superficies calientes.
14. Antes de limpiar o después de su uso, retire el enchufe de la toma de corriente sujetándola con la mano. No tire del cable de alimentación.
15. No use el microondas sin el plato giratorio y el anillo giratorio colocado en la posición correcta.
16. No use el microondas para otro fin que no sea el de cocinar alimentos. No utilice el microondas para secar la ropa, papel, u otros productos no alimentarios. No utilice el microondas para esterilizar.
17. Nunca utilice el microondas vacío, ya que esto puede dañar el dispositivo.
18. No use la cavidad del microondas para el almacenamiento de cualquier producto, tal como papel, libros, etc.
19. Los alimentos con la piel gruesa, como las patatas, manzanas y castañas hay que pinchar varias antes de su cocción.
20. No introduzca ningún objeto en las aberturas de la carcasa.
21. No retire ninguna pieza del microondas. **PRECAUCIÓN: No retire la tapa. Fuente de radiación de microondas y alta tensión.**
22. Nunca cocine directamente sobre el plato giratorio. Siempre coloque los alimentos en un plato adecuado para usar en microondas.
23. Utilice sólo los recipientes adecuados para microondas.
24. Mantenga un espacio libre necesario por encima del microondas (por lo menos 30

cm).

25. La comida no se fríe en el horno microondas. El aceite caliente puede dañar las piezas del horno y los utensilios lo que puede causar daños en la piel.
26. **ADVERTENCIA: El líquido calentado en el recipiente está muy caliente, aunque el recipiente no esté caliente al tacto después de ser retirado del horno de microondas.**
27. El calentamiento de bebidas en el microondas puede resultar en una ebullición explosiva con retraso, así que tenga cuidado al manipular el recipiente.
28. Hay que remover o agitar bien el contenido de los biberones y de los tarros de comida para bebés y comprobar la temperatura antes de darles de comer, para evitar quemaduras.
29. Si observa humo, debe apagar el microondas, desenchufarlo de la toma de corriente y dejar la puerta cerrada con el fin de sofocar las llamas.
30. Los utensilios de cocina pueden calentarse debido al calor de los alimentos. Use las asas apropiadas para trasladar los recipientes.
31. Para reducir la probabilidad de incendio dentro del horno microondas, siga las siguientes normas:
 - a. no cocine los alimentos demasiado tiempo en recipientes de papel, plástico u otros materiales inflamables
 - b. elimine todos los elementos metálicos de los envases antes de colocarlos en el horno microondas
 - c. al calentar alimentos en recipientes de plástico o papel, debe comprobar el microondas con frecuencia debido a la posibilidad de ignición del recipiente
32. **ADVERTENCIA:** Si la puerta o la junta está dañada, el microondas no puede trabajar hasta que sea reparado por el personal cualificado.
33. **ADVERTENCIA:** Cualquier servicio y reparación relacionada con la eliminación de la cubierta protectora es peligrosa y debe ser realizada por el personal cualificado.
34. **ADVERTENCIA:** Los líquidos y otros alimentos no deben ser calentados en recipientes cerrados ya que pueden explotar.
35. El microondas está diseñado para su uso independiente. No coloque el microondas en un armario.
36. Se recomienda limpiar periódicamente y quitar la comida acumulada.
37. Si no mantiene el microondas limpio, esto puede llevar al deterioro de la superficie, lo cual puede afectar negativamente a la resistencia del microondas y por lo tanto provocar situaciones peligrosas.
Mantenga el interior del microondas limpio. En caso de suciedad de las paredes interiores del microondas, elimine los restos del alimento o líquido derramado con un paño húmedo.
38. En caso de mucha suciedad, utilice un detergente suave. No utilice detergentes que contengan abrasivos.
39. No utilice detergentes en aerosol ni fuertes ya que pueden manchar, rayar u opacar la superficie del microondas y la puerta.
40. Limpie La superficie exterior del horno con un paño húmedo. Para prevenir daños en las partes operacionales dentro del microondas, no debe permitirse que el agua entre por las aperturas de ventilación.
41. Limpie con un paño húmedo ambos lados de la puerta, ventana, juntas de las puertas y las partes contiguas para eliminar cualquier resto de alimentos o líquidos derramados.
42. No permita que se moje el panel de control. Limpie con un paño suave y húmedo. No

- utilice detergentes, limpiadores abrasivos ni aerosoles para limpiar el panel de control.
43. Si el vapor se acumula en el interior del microondas o alrededor de la puerta, límpiolo con un paño suave. Esto puede ocurrir cuando el horno microondas es manipulado bajo condiciones de humedad muy alta y es normal.
 44. Periódicamente es necesario quitar el plato giratorio para limpiar en agua tibia y antes hervida o en el lavavajillas.
 45. No caliente en el microondas los huevos en la cáscara o duros enteros. Pueden explotar, incluso después de calentar en el microondas.
 46. No toque las superficies calientes del microondas (puerta, pared superior o inferior o lateral). Use guantes de protección para eliminar o tocar los elementos calientes.
 47. Para asegurar más protección, se recomienda instalar en el circuito eléctrico un diferencial (RCD) con la corriente diferencial no superior a 30 mA. En este caso hay que recurrir al especialista eléctrico.
- 
48. **AVERTISSEMENT:** n'autorisez les enfants à utiliser le four sans surveillance que lorsque les instructions appropriées leur ont été données afin qu'ils puissent utiliser le four en toute sécurité et qu'ils soient conscients des risques résultant d'une utilisation incorrecte.
 49. Les récipients en métal pour aliments et boissons ne doivent pas être utilisés dans un four à micro-ondes.

DESCRIPCIÓN DEL APARATO (fig. 1)

1. Cierre de la puerta
2. Ventana del microondas
3. Equipo de anillo giratorio
4. Apertura de la puerta
5. Panel de control
6. Plato giratorio

PANEL DE CONTROL (fig. 2)

- 2.1. Temporizador 0-30 minutos
- 2.2. Perilla para ajustar el nivel de potencia

I:	nivel bajo de potencia – 20%
II:	nivel medio bajo de potencia – 52%
III:	nivel medio de potencia – 73%
IIII:	nivel medio alto de potencia – 88%
IIIII:	nivel alto de potencia – 100%
✳	descongelación – 42%

ANTES DEL PRIMER USO

1. Asegúrese de que todos los embalajes han sido retirados del interior del horno.
2. **Asegúrese de que no hay señales de daños tales como puerta doblada o torcida, juntas de la puerta dañadas, superficies de contacto dañadas, bisagras y cierres rotos o sueltos, abolladura dentro del horno o en la puerta.** En caso de cualquier daño no utilice el aparato y póngase en contacto con un representante del servicio.
3. No exponga el horno a alta temperatura o humedad, y no lo coloque cerca de los materiales inflamables.
4. Coloque el horno microondas en una superficie plana y estable que soporte su peso.
5. No coloque nada encima del microondas o tape ni cubra los orificios de ventilación.
6. No retire el eje de propulsión del plato giratorio.
7. No deje el aparato sin vigilancia durante el uso en presencia de los niños.

USO DEL DISPOSITIVO

1. Después de colocar el alimento en un recipiente adecuado encima del plato de vidrio en el horno. Cierre la puerta del horno, ponga el nivel de potencia adecuado (Fig. 2. 2) y el tiempo en el temporizador (Fig. 2.1).

ATENCIÓN: EL HORNO MICROONDAS EMPIEZA A FUNCIONAR INMEDIATAMENTE DESPUÉS DE PONER EL TIEMPO.

2. Si el tiempo de cocción requerido es menos de 5 minutos, primero gire la perilla del temporizador fuera de la línea que significa 5 minutos, y luego retroceda la perilla del temporizador para ajustar el tiempo correcto.
3. **Si el plato se saca del horno antes de que haya pasado el tiempo establecido, PONGA LA PERILLA EN LA POSICIÓN CERO SIN FALTA.**
4. Para detener el trabajo del horno microondas, ponga la perilla del temporizador en la posición cero. Si se abre la puerta durante la

cocción, deja de trabajar automáticamente. Si de nuevo cierra la puerta, el horno automáticamente reinicia el trabajo de acuerdo a los ajustes previos. Si no se requiere el tiempo de cocción restante, gire la perilla del temporizador de nuevo en la posición cero.

ATENCIÓN: EL ENCENDIDO DEL HORNO MICROONDAS SIN ALIMENTOS EN SU INTERIOR PUEDE DAÑAR EL APARATO.

LIMPIEZA Y CONSERVACIÓN

1. El horno se debe limpiar regularmente y eliminar los residuos de alimentos. Si deja el horno sin limpiar esto puede dañar la superficie, que a su vez puede afectar la vida útil del dispositivo y provocar situaciones peligrosas.
2. Antes de la limpieza, apague el horno microondas y quite el enchufe de la toma.
3. Mantenga el interior del horno limpio. En caso de suciedad de las paredes interiores del horno, elimine los restos del alimento o líquido derramado con un paño húmedo.
4. En caso de mucha suciedad, utilice un detergente suave. No utilice detergentes que contengan abrasivos.
5. No utilice detergentes en aerosol ni fuertes ya que pueden manchar, rayar u opacar la superficie del horno y la puerta.
6. Limpie la superficie exterior del horno con un paño húmedo. Para prevenir daños en las partes operacionales dentro del horno, no debe permitirse que el agua entre por las aperturas de ventilación.
7. Limpie con un paño húmedo ambos lados de la puerta, ventana, juntas de las puertas y las partes contiguas para eliminar cualquier resto de alimentos o líquidos derramados.
8. No permita que se moje el panel de control. Limpie con un paño suave y húmedo. Para limpiar el panel de control no use detergentes, limpiadores abrasivos ni aerosoles.
9. Si el vapor se acumula dentro o alrededor de la puerta del horno, límpielo con un paño suave. Esto puede ocurrir cuando el horno microondas es manipulado bajo condiciones de humedad muy alta, es normal.
10. Es ocasionalmente necesario quitar el plato giratorio para limpiar en agua tibia y antes hervida o en el lavavajillas.
11. El anillo giratorio y la parte inferior del horno deben ser limpiados regularmente para evitar un ruido excesivo. Simplemente limpie con un detergente suave, agua, limpiacristales. El anillo giratorio se puede lavar en agua tibia o el lavavajillas. Después de la limpieza del anillo giratorio, asegúrese de que ha sido colocado correctamente en el sitio, donde se había encontrado antes de desmontar para su limpieza.
12. Durante el proceso de cocción se puede acumular el vapor del alimento cocinado o líquido. Esto no tiene efecto sobre la superficie del interior del horno y las ruedas del anillo giratorio.
13. Con el fin de eliminar el olor residual después de la cocción, ponga el horno una mezcla de agua y zumo de limón o agua y piel de limón en un recipiente adecuado para su uso en el microondas. Caliente la mezcla durante 5 minutos y luego limpie el interior del horno con un paño suave.
14. **ADVERTENCIA:** El aparato no puede limpiarse con un limpiador a vapor

FICHA TÉCNICA:

Alimentación: 230-240V ~50Hz

Potencia máxima: 1100W

Potencia microondas: 700W

Frecuencia: 2450 MHz

Capacidad de la cavidad del horno: 20 litros



Preocupación por el medio ambiente...

Por favor, lleva las cajas de cartón a un sitio de reciclaje. Las bolsas de polietileno se deben tirar al cubo de la basura amarilla (para envases). El equipo gastado debe ser entregado en el punto de almacenamiento adecuado, porque las piezas que constituyen el equipo pueden suponer un peligro para el medio ambiente. Debes entregar el equipo. Hay que devolver el equipo eléctrico con el fin de evitar su reutilización. Si en el equipo se encuentran pilas, hay que sacarlas y entregar por separado, en un punto de almacenamiento adecuado. No tires el equipo al contenedor para residuos urbanos!!

PORTUGUÊS

CONDIÇÕES GERAIS DE SEGURANÇA

AS INSTRUÇÕES IMPORTANTES RELATIVAS À SEGURANÇA DE UTILIZAÇÃO DEVEM SER LIDAS COM ATENÇÃO E GUARDADAS PARA A POSTERIOR UTILIZAÇÃO

1. Antes de começar a utilizar o aparelho deve-se ler o manual e seguir a suas instruções. **O fabricante não assume a responsabilidade por danos causados pela indevida utilização do aparelho ou pela sua utilização em desacordo com o seu destino.**
2. O aparelho destina-se apenas ao uso doméstico. Não utilizar o aparelho em desacordo com o seu destino.
3. O aparelho deve ser conectado exclusivamente à tomada com ligação à terra 230-240V ~50Hz.
Com vista a aumentar a segurança de utilização do aparelho, a um circuito elétrico

- não devem ser conectados vários dispositivos.
4. Manter cuidados especiais durante a utilização do aparelho na proximidade das crianças. Não se pode deixar às crianças brincar com este aparelho, nem deixar utilizá-lo por pessoas não instruídas.
 5. **ADVERTÊNCIA: O presente dispositivo pode ser utilizado pelas crianças com idade superior a 8 anos e pelas pessoas com capacidade física ou psíquica limitadas ou pelas pessoas que não foram instruídas com as regras de utilização, desde que tal utilização se realize sob vigilância de pessoa responsável pela segurança ou desde que estas pessoas tenham sido instruídas sobre as regras de utilização do aparelho e advertidas sobre o perigo relacionado com tal utilização. As crianças não devem brincar com o presente aparelho. A limpeza e conservação do aparelho não devem ser realizadas por crianças, a não ser que cumpram 8 anos de idade e desde que efetuadas sob vigilância de adultos.**
 6. Uma vez acabada a utilização do aparelho, retirar a ficha da tomada segurando-a com a mão. Não puxar o cabo de alimentação.
 7. Não deixar o aparelho ligado sem vigilância.
 8. Não imergir o cabo, a ficha nem todo o aparelho em água ou noutro líquido. Não expor o aparelho à chuva ou aos raios de sol, nem utilizá-la em condições de humidade elevada.
 9. Verificar o estado do cabo de alimentação com frequência. **Caso o cabo de alimentação esteja danificado, deve ser imediatamente substituído por um técnico especializado a fim de evitar o perigo.**
 10. Não utilizar o dispositivo com o cabo de alimentação deteriorado, quando o aparelho caiu ou foi deteriorado ou quando trabalha de maneira inadequada. Não consertar o aparelho individualmente, pois tal ação pode levar à fulminação. O aparelho deteriorado deve ser entregue ao ponto de assistência técnica a fim de ser consertado ou verificado. **Quaisquer reparações podem ser feitas apenas por pontos de assistência técnica autorizadas. A reparação realizada de maneira inadequada pode causar perigo para o utilizador do aparelho.**
 11. O dispositivo deve ser colocado numa superfície fresca, estável e plana, estando afastado dos dispositivos que se aquecem, tais como cozinha elétrica ou fogão de gás, etc.
 12. Não utilizar o aparelho na proximidade dos materiais inflamáveis.
 13. O cabo de alimentação não pode sobressair fora da borda da mesa nem tocar as superfícies quentes.
 14. Antes de limpar o aparelho ou uma vez acabada a sua utilização, retirar a ficha da tomada segurando a tomada com a mão. Não puxar o cabo de alimentação.
 15. Não utilizar o micro-ondas sem o prato giratório nem o anel giratório adequadamente fixado.
 16. Não utilizar o micro-ondas para outras finalidades que não a preparação de alimentos. Não utilizar o micro-ondas para secar roupa, papel ou outros materiais não comestíveis. Não utilizar o micro-ondas para os fins de esterilização.
 17. Nunca utilizar o micro-ondas vazio, podendo tal ação danificar o aparelho.
 18. Não utilizar o interior da cozinha para armazenar quaisquer produtos do tipo de papel, livros, etc.
 19. Os alimentos com uma casca grossa tais como batatas, maçãs ou castanhas devem ser perfurados antes de serem cozidos.
 20. Não meter quaisquer objetos nos orifícios da caixa do micro-ondas.

21. Nunca remover quaisquer elementos do micro-ondas. CUIDADO: Não remova a tampa. Fonte de radiação de microondas e alta voltagem.
22. Nunca cozinhar os alimentos postos diretamente no prato giratório. Preparar sempre os alimentos num recipiente destinado à utilização no micro-ondas.
23. Utilizar apenas os recipientes destinados a serem utilizados no micro-ondas.
24. Deve-se assegurar o espaço adequado em cima da parte superior do micro-ondas (pelo menos 30 cm).
25. Não frigar alimentos no micro-ondas. O azeite quente pode danificar os elementos do micro-ondas e do recipiente, bem como causar escaldões da pele.
26. **ADVERTÊNCIA: O líquido aquecido no recipiente dentro do micro-ondas está muito quente, mesmo quando o recipiente já não está quente depois de retirado do micro-ondas e acabada a cozedura.**
27. O aquecimento de líquidos no micro-ondas pode causar a ebulição atrasada, por isso deve-se manter cuidado ao manipular o recipiente.
28. O conteúdo de biberões e frascos com alimentos para crianças deve ser misturado ou sacudido, verificando a sua temperatura antes de ser consumido. Tal ação permite evitar escaldões.
29. Caso se verifique um fumo, desligar o micro-ondas, retirar a ficha da tomada e deixar a porta fechada com vista a extinguir as chamas.
30. Os recipientes de cozinha podem aquecer-se na sequência de circulação de calor nos alimentos aquecidos. Utilizar os suportes adequados para deslocar os recipientes.
31. Para reduzir a possibilidade do incêndio dentro do micro-ondas, observar as seguintes instruções:
 - a. não cozinhar os alimentos em recipientes de papel, plástico ou outros materiais inflamáveis, por tempo excessivo
 - b. remover todos os elementos metálicos das embalagens antes de as pôr dentro do micro-ondas
 - c. durante o aquecimento de alimentos em recipientes de plástico ou de papel, deve-se verificar o micro-ondas com frequência, devido a uma possibilidade de inflamação de tal recipiente.
32. **ADVERTÊNCIA:** Caso a porta ou a sua vedação estejam deterioradas, o micro-ondas não pode ser posto em funcionamento sem ser consertado por uma pessoa qualificada.
33. **ADVERTÊNCIA:** Quaisquer atividades técnicas relacionadas com a remoção de tampa que protege da energia de micro-ondas são perigosas, devendo ser realizadas apenas por pessoas qualificadas.
34. **ADVERTÊNCIA:** Tanto líquidos como alimentos não podem ser aquecidos em recipientes vedados, podendo explodir.
35. O micro-ondas é um aparelho separado. Não se deve pôr o micro-ondas numa estante.
36. Recomenda-se a limpeza regular do micro-ondas, bem como remoção dos restos de alimentos.
37. Qualquer negligência em manutenção do micro-ondas em limpeza pode levar à deterioração do estado da sua superfície, afetando deste modo a durabilidade do aparelho e podendo causar situações perigosas.
A câmara interior do micro-ondas deve ser mantida limpa. Caso as paredes interiores do micro-ondas fiquem sujas com restos de alimentos ou líquidos, deve-se removê-los com um tecido húmido.

38. No caso de grande sujidade, utilizar um detergente delicado. Não utilizar os agentes de limpeza abrasivos.
39. Não utilizar os agentes de limpeza em aerossol ou outros detergentes fortes, pois os mesmos podem manchar ou matificar a superfície do micro-ondas ou da porta.
40. A superfície exterior do micro-ondas deve ser lavada com um tecido húmido. Para evitar a danificação dos elementos electrónicos do micro-ondas, mantenha cuidado para que a água não entre para dentro através dos orifícios de ventilação.
41. Ambos os lados da porta, janelas, vedações da porta e partes contíguas devem ser limpas com um tecido húmido e com frequência para remover todos os restos de alimentos e líquidos.
42. Não molhar o painel de operação. O painel de operação deve ser limpo com um tecido húmido. Não utilizar detergentes, materiais abrasivos nem aerossóis de limpeza para lavar o micro-ondas.
43. Caso observe o vapor dentro do micro-ondas ou ao redor da porta, retire-o com um tecido mole. Tal situação pode ocorrer caso o micro-ondas trabalhe num ambiente com humidade elevada e não manifeste indícios de danificação.
44. De vez em quando limpar o prato giratório em água quente ou na máquina de lavar loiça.
45. Não aquecer no micro-ondas os ovos em cascas ou cozidos (firmes). Os ovos podem explodir mesmo após o fim do seu aquecimento no micro-ondas.
46. Não se pode tocar as superfícies quentes do micro-ondas (porta, parede superior ou inferior e paredes laterais). Deve-se utilizar as luvas de proteção para remover ou tocar quaisquer elementos quentes.
47. Para garantir a proteção adicional, recomenda-se instalar no circuito eléctrico um disjuntor diferencial (RCD) destinado à corrente nominal inferior a 30 mA. Neste âmbito é recomendável perguntar um electricista.
48. ADVERTÊNCIA: Só então permita que as crianças usem o forno sem supervisão, quando as instruções apropriadas tiverem sido dadas a elas, para que possam usar o forno com segurança e estejam cientes dos perigos resultantes do uso inadequado.
49. Não é permitido o uso de recipientes de metal para alimentos e bebidas em fornos de microondas.



DESCRIÇÃO DO MICRO-ONDAS (fig. 1)

1. Bloqueio da porta
2. Janela do micro-ondas
3. Conjunto do anel giratório
4. Abertura da porta
5. Painel de operação
6. Prato giratório de vidro

PAINEL DE OPERAÇÃO (fig. 2)

- 2.1. Cronómetro 0-30 minutos
- 2.2. Botão de ajustar a potência do micro-ondas

I:	baixa potência – 20%
II:	baixa média potência – 52%
III:	média potência – 73%
IIII:	alta média potência – 88%
IIIII:	alta potência – 100%
✱	descongelamento – 42%

ANTES DA PRIMEIRA UTILIZAÇÃO

1. Assegure-se de que todos os embrulhos foram removidos do interior do micro-ondas.
2. Verificar se não há indícios de deterioração tais como curvatura da porta, danificação do anel de vedação da porta, da

superfície de contactor, fissuras nas articulações da porta, cavidades dentro do micro-ondas ou na porta. Em caso de quaisquer danos, não utilizar o aparelho e contactar a assistência técnica.

3. Não expor o micro-ondas a altas temperaturas ou humidade nem colocá-lo na proximidade de materiais inflamáveis.

4. O micro-ondas deve ser colocado numa superfície plana e estável que é capaz de suportar o seu peso.

5. Não se pode colocar nenhum objeto encima do micro-ondas nem tapar os seus orifícios de ventilação.

6. Não retirar o anel de propulsão do prato giratório.

7. Nunca deixar o micro-ondas sem vigilância quando na proximidade se encontram crianças.

UTILIZAÇÃO DO MICRO-ONDAS

1. Após a colocação de alimentos num recipiente adequado no prato giratório de vidro. Fechar a porta do micro-ondas, ajustar o nível de potência adequado (Fig. 2.2) e o tempo adequado no cronómetro (Fig. 2.1).

CUIDADO: IMEDIATAMENTE DEPOIS DE AJUSTAR O TEMPO DE COZEDURA, O MICRO-ONDAS COMEÇARÁ A TRABALHAR.

2. Caso o tempo de cozedura seja inferior a 5 minutos, virar o botão do cronómetro fora do ponto que significa 5 minutos e a seguir recuar o botão do cronómetro até ajustar o tempo desejado.

3. Se o alimento for retirado do micro-ondas antes do fim do tempo de cozedura ajustado, PÔR O BOTÃO NA POSIÇÃO DE ZERO.

4. Para parar o trabalho do micro-ondas é necessário ajustar o botão do cronómetro na posição de zero. Caso a porta do micro-ondas seja aberta durante a cozedura, o aparelho deixará de trabalhar. Ao fechar a porta novamente, o micro-ondas vai continuar a cozer mantendo as configurações anteriores. Caso não seja preciso cozer mais, ajustar o botão do cronómetro na posição de zero.

CUIDADO: LIGANDO O MICRO-ONDAS SEM QUALQUER ALIMENTO DENTRO PODE CAUSAR A DANIFICAÇÃO DO APARELHO.

LIMPEZA E CONSERVAÇÃO

1. O micro-ondas deve ser limpo com regularidade e retirados todos os restos de alimentos. Deixando o micro-ondas não limpo pode causar a deterioração da sua superfície, o que poderá levar à diminuição de vitalidade do aparelho e causar situações perigosas.

2. Antes de iniciar a limpeza, desligar o micro-ondas e retirar a ficha do cabo de alimentação da tomada.

3. A câmara interior do micro-ondas deve ser mantida limpa. Caso as paredes interiores do micro-ondas fiquem sujas com restos de alimentos ou líquidos, deve-se removê-los com um tecido húmido.

4. No caso de grande sujidade, utilizar um detergente delicado. Não utilizar os agentes de limpeza abrasivos.

5. Não utilizar os agentes de limpeza em aerossol ou outros detergentes fortes, pois os mesmos podem manchar ou matificar a superfície do micro-ondas ou da porta.

6. A superfície exterior do micro-ondas deve ser lavada com um tecido húmido. Para evitar a danificação dos elementos electrónicos do micro-ondas, mantenha cuidado para que a água não entre para dentro através dos orifícios de ventilação.

7. Ambos os lados da porta, janelas, vedações da porta e partes contíguas devem ser limpas com um tecido húmido com frequência para remover todos os restos de alimentos e líquidos.

8. Não molhar o painel de operação. O painel de operação deve ser limpo com um tecido húmido. Para limpar o painel de operação não se pode utilizar detergentes, agentes abrasivos ou aerossóis de limpeza.

9. Caso observe o vapor dentro do micro-ondas ou ao redor da porta, retire-o com um tecido mole. Tal situação pode ocorrer caso o micro-ondas trabalhe num ambiente com humidade elevada e não manifeste indícios de danificação.

10. De vez em quando limpar o prato giratório em água quente ou na máquina de lavar loiça.

11. Para evitar o barulho excessivo durante o trabalho do micro-ondas, limpar o anel giratório e o fundo do micro-ondas com frequência. Para este fim pode-se utilizar um detergente delicado, água ou líquido de limpar janelas. O anel giratório pode ser limpo em água quente ou na máquina de lavar loiça. Uma vez acabada a limpeza do anel giratório, é necessário assegurar-se de que o mesmo está fixado num lugar apropriado.

12. Durante a cozedura é possível observar o vapor exalado pelos alimentos cozidos ou líquidos aquecidos. Tal fenómeno não afeta a superfície interior do micro-ondas e do anel giratório.

13. A fim de eliminar o cheiro produzido pelos alimentos cozidos, pôr dentro do micro-ondas uma mistura de água e sumo de limão ou água e cascas de limão colocados num recipiente destinado ao uso no micro-ondas. A seguir aquecer esta mistura por 5 minutos e depois secar o interior do micro-ondas com um tecido mole.

14. AVISO: O aparelho não pode ser limpo com um limpador a vapor

DADOS TÉCNICOS:

Alimentação: 230-240V ~50Hz

Potência máx.: 1100W

Potência de micro-ondas: 700W

Frequência: 2450 MHz

:Capacidade do micro-ondas: 20 litros



Proteção do meio ambiente.

Rogamos, os embalagens de cartão destinem-se para papéis velhos. Os sacos de polietileno (PE) devem-se colocar em contenedores para material plástico. O dispositivo usado deve-se levar a um ponto de armazenamento adequado porque os componentes perigosos que ficam dentro do dispositivo podem ser perigosos para o meio ambiente. O dispositivo elétrico deve-se entregar de modo que se reduza a sua nova utilização e uso. Se no dispositivo há pilhas, devem-se tirar e levar a um ponto de armazenamento em separado.

LIETUVIŲ

BENDROSIOS SAUGOS SĄLYGOS

SVARBIAS SAUGAUS NAUDOJIMO INSTRUKCIJAS BŪTINA ATIDŽIAI PERSKAITYTI IR IŠSAUGOTI ATEIČIAI

1. Prieš pradėdant naudoti prietaisą būtina perskaityti naudojimo instrukciją ir vadovautis joje pateikiamais nurodymais. **Gamintojas neatsako už žalą, padarytą naudojant prietaisą ne pagal jo paskirti ar netinkamai jį naudojant.**
2. Prietaisas skirtas naudoti tik namų ūkyje. Nenaudoti kitiems tikslams, neatitinkantiems jo paskirties.
3. Prietaisą jungti tik į 230-240V ~50Hz įžemintą lizdą. Naudojimo saugai padidinti į vieną srovės grandinę nereikėtų vienu metu jungti kelių elektros prietaisų.
4. Būtina imtis ypatingo atsargumo naudojantis prietaisu, kai šalia yra vaikų. Negalima leisti vaikams žaisti su prietaisu ir juo naudotis vaikams ar prietaiso neišmanantiems asmenims.
5. **ĮSPĖJIMAS: Šis prietaisas gali būti naudojamas vyresnių nei 8 metų amžiaus vaikų ir ribotų fizinių, jutiminių ar psichinių gebėjimų ar asmenų, neturinčių patirties ar nemokančių naudotis, jeigu juos prižiūri už jų saugą atsakingas asmuo ar jiems buvo paaiškinta, kaip saugiai naudoti prietaisą ir jie suvokia su jo naudojimu susijusius pavojus. Neleisti vaikams žaisti su prietaisu. Neleisti prietaisą valyti ir prižiūrėti vaikams, nebent jie yra vyresni nei 8 metų amžiaus ir juos prižiūri.**
6. Baigus naudotis, visada ištraukti kištuką iš maitinimo lizdo prilaikant lizdą ranka. **NETRAUKTI** už maitinimo laido.
7. Nepalikti į lizdą įjungto prietaiso be priežiūros.
8. Nenardinti laido, kištuko ar viso prietaiso į vandenį ar kitokį skystį. Nepalikti prietaiso, kad jį veiktų aplinkos veiksniai (lietus, saulė ir pan.), taip pat nenaudoti padidėjusios drėgmės sąlygomis (vonios kambariuose, drėgnuose kempingo nameliuose).
9. Periodiškai patikrinti maitinimo laido būklę. **Pažeistas laidas turėtų būti pakeistas specializuotos taisyklos, kad būtų išvengta galimo pavojaus.**
10. Nenaudoti prietaiso, jeigu pažeistas maitinimo laidas ar prietaisas buvo numestas, kitaip sugadintas arba netinkamai veikia. Netaisyti prietaiso savarankiškai, nes gresia smūgis. Sugadintą prietaisą atiduoti atitinkamam servisui, kad patikrintų ar pataisytų. **Bet kokius taisymus gali atlikti tik įgaliojami servisi. Netinkamai atliktas taisymas gali kelti rimtą pavoją naudotojui.**
11. Prietaisą statyti ant vėsaus, stabilaus, lygaus paviršiaus, toliau nuo kaistančių virtuvės prietaisų: elektrinės viryklės, dujų degiklių ir pan.
12. Nenaudoti prietaiso šalia degių medžiagų.
13. Maitinimo laidas negali kabėti už stalo briaunos ar liestis su karštais paviršiais.
14. Prieš valant ar baigus naudoti kištuką ištraukti iš tinklo lizdo prilaikant lizdą ranka. **NETRAUKTI** už maitinimo laido.
15. Nenaudoti krosnelės, jeigu viduje nėra sukamosios lėkštės ir žiedo.
16. Nenaudoti krosnelės kitiems tikslams, išskyrus maistui ruošti. Nenaudoti krosnelės drabužiams, popieriui ar kitoms ne maisto prekėms džiovinti. Nenaudoti krosnelės

sterilizuoti.

17. Niekada nenaudoti tuščios krosnelės, nes gali sugesti.
18. Krosnelės viduje nelaikyti jokių produktų, pvz., popieriaus, knygų ir pan.
19. Maisto produktus su stora žieve, pvz., bulves, obuolius ar kaštonus, prieš ruošiant būtina keliose vietose pradurti.
20. Į korpuso angas nekišti jokių daiktų.
21. Neišimti jokių mikrobangų krosnelės dalių. **[SPĖJIMAS: Neišimkite dangčio. Mikrobangų spinduliuotės ir aukštos įtampos šaltinis.**
22. Niekada nevirti tiesiai ant sukamosios lėkštės. Visada maistą dėti į mikrobangų krosnelėje naudoti skirtą indą.
23. Naudoti tik tokius indus, kurie tinkami naudoti mikrobangų krosnelėse.
24. Virš krosnelės būtina palikti pakankamai laisvos vietos (ne mažiau nei 30 cm).
25. Nekepti maisto mikrobangų krosnelėje. Karštas aliejus gali sugadinti krosnelės dalis ir indus bei sužaloti odą.
26. **[SPĖJIMAS: Inde pašildytas skystis yra labai karštas, net jeigu baigus šildyti ir iš mikrobangų krosnelės išimtas indas nėra karštas liečiant.**
27. Šildant gėrimus mikrobangomis gali pasireikšti uždelstas sprogstamasis virimas, todėl būtina atsargiai elgtis su indu.
28. Buteliukų ir stiklainiukų su vaikų maistu turinį būtina išmaišyti arba suplakti bei patikrinti temperatūrą prieš duodant valgyti, kad nenudegintų.
29. Pastebėjus dūmus išjungti krosnelę, ištraukti kištuką iš lizdo ir palikti dureles uždarytas, kad nusloptų liepsna.
30. Virtuvės indai gali įkaisti dėl šilumos, patenkančios iš pašildyto maisto. Indams nešti naudoti atitinkamas rankenėles.
31. Norint sumažinti gaisro mikrobangų krosnelės viduje tikimybę būtina laikytis šių taisyklių:
 - a. pernelyg ilgai nevirti maisto popierinėse, plastikinėse ar kitų degių medžiagų pakuotėse
 - b. prieš dedant į mikrobangų krosnelę pašalinti visus pakuočių metalinius elementus
 - c. šildant maistą plastikiniuose ar popieriniuose induose būtina dažnai tikrinti krosnelę, nes indai gali užsidegti
32. **[SPĖJIMAS: Jeigu durelės ar jų sandarinimas yra pažeisti, krosnelės negalima naudoti, kol jos nepataisys kvalifikuotas asmuo.**
33. **[SPĖJIMAS: Bet kokie priežiūros ir remonto darbai, susiję su gaubto, saugančio nuo mikrobangų energijos, nuėmimu, yra pavojingi ir turi būti atliekami tik kvalifikuotų asmenų.**
34. **[SPĖJIMAS: Skysčių ir kitų maisto produktų negalima šildyti sandariuose induose, nes gali sprogti.**
35. Krosnelė skirta naudoti pastatyta atskirai. Nedėti krosnelės į spintelę.
36. Rekomenduojama reguliariai valyti krosnelę ir šalinti maisto likučius.
37. Dėl krosnelėje susikaupusių nešvarumų gali pablogėti dangos būklė ir krosnelės tinkamumas naudoti, dėl ko gali kilti pavojingų situacijų. Krosnelės vidų būtina laikyti švarų. Užteršus krosnelės vidaus sienelės, maisto likučius ar išsiliejusį skystį išvalyti drėgnu skudurėliu.
38. Jeigu užteršta stipriai, naudoti švelnų valiklį. Nenaudoti valiklių, kurių sudėtyje yra šveičiamųjų medžiagų.
39. Nenaudoti purškiamų ir kitų stiprių valiklių, kadangi dėl jų krosnelės ir durelių paviršiuje gali atsirasti dėmių, nuobėgų arba paviršius pasidaryti matinis.

40. Krosnelės išorės paviršių valyti drėgnu skudurėliu. Kad nesugestų mikrobangų krosnelės viduje esantys elementai, stengtis, kad vanduo nevarvėtų pro vėdinimo angas į jos vidų.
41. Abi durelių, langelio puses, durelių tarpiklius ir gretimas dalis būtina dažnai valyti drėgnu skudurėliu ir pašalinti visus maisto likučius ar išsiliejusius skysčius.
42. Neleisti, kad valdymo skydas sudrėktų. Valyti drėgnu minkštu skudurėliu. Valdymo skydai valyti nenaudoti valiklių, šveičiamųjų medžiagų ar purškiklių.
43. Jeigu vandens garai kaupiasi krosnelės viduje ar apie dureles, nuvalyti minkštu skudurėliu. Taip gali atsitikti, kai krosnelė naudojama padidėjusios drėgmės sąlygomis ir nėra jokių prietaiso gedimo požymių.
44. Periodiškai sukamąją lėkštę valyti šiltu virintu vandeniu arba indaplovėje.
45. Krosnelėje nevirti kiaušinių su lukštu ir nešildyti kietai virtų visų kiaušinių. Gali sprogti net baigus juos šildyti mikrobangų krosnelėje.



46. Negalima liesti krosnelės karštų paviršių (durelių, viršutinės ar apatinės ir šoninių sienelių). Išimant ar liečiant karštus elementus būtina mūvėti apsaugines pirštines.

47. Papildomai apsaugai užtikrinti rekomenduojama elektros tinkle įrengti srovės diferencinį prietaisą (RCD), kurio vardinė diferencinė srovė neviršija 30 mA. Šiuo atveju būtina kreiptis į kvalifikuotą elektriką.
48. **[SPĖJIMAS: tik tada leiskite vaikams naudoti orkaitę be priežiūros, kai jiems buvo duotos tinkamos instrukcijos, kad jie galėtų saugiai naudoti orkaitę ir žinoti pavojus, atsirandančius dėl netinkamo naudojimo.**
49. Mikrobangų krosnelėje neleidžiama naudoti metalo konteinerių maistui ir gėrimams.

PRIETAISO APRAŠYMAS (1 pieš.)

1. Durelių blokuotė
2. Krosnelės langelis
3. Sukamojo žiedo rinkinys
4. Durelių atidarymas
5. Valdymo skydas
6. Stiklinė sukamoji lėkštė

VALDYMO SKYDAS (2 pieš.)

- 2.1. 0–30 minučių laikmatis
- 2.2. Galios nustatymo rankenėlė

I:	maža galia – 20 %
II:	vidutiniškai maža galia – 52 %
III:	vidutinė galia – 73 %
IIII:	vidutiniškai didelė galia – 88 %
IIIII:	didelė galia – 100 %
☼	atšildymas – 42 %

PRIEŠ PIRMĄ KARTĄ NAUDOJANT

1. Įsitikinti, ar visa pakuotė pašalinta iš krosnelės vidaus.
2. **Patikrinti, ar nėra jokių pažeidimų, pvz., deformuotos ar įlenktos durelės, pažeisti durelių tarpikliai, pažeistas paviršius, įtrūkė ar atsilaisvinę durelių vyriai ir užraktai, įlenktas krosnelės vidus ar durelės.** Nenaudoti prietaiso, jeigu yra bet kokių pažeidimų. Kreiptis į servisą.
3. Neleisti, kad mikrobangų krosnelę veiktų aukšta temperatūra ar drėgmė, nestatyti arti degių medžiagų.
4. Mikrobangų krosnelę statyti ant lygaus, stabilaus paviršiaus, galinčio išlaikyti jos svorį.
5. Nieko nedėti ant mikrobangų krosnelės viršaus ir neužkimšti ar neuždengti vėdinimo angų.
6. Neišimti sukamosios lėkštės varomojo velenėlio.
7. Dėl vaikų saugumo niekada nepalikti veikiančio prietaiso be priežiūros.

PRIETAISO NAUDOJIMAS

1. Tinkamame inde sudėtą maistą pastatyti ant sukamosios lėkštės krosnelės viduje. Uždaryti krosnelės dureles, nustatyti reikiamą galią (2.2 pieš.) ir trukmę laikmačiu (2.1 pieš.).

DĒMESIO: Krosnelē pradeda veikti iš karto, kai tik nustatoma trūkmė.

2. Jeigu reikiama paruošimo trūkmė yra trumpesnė nei 5 minutės, pirmiausia pasukti laikmačio rankenėlę už 5 minučių žymos, paskiau atgalios pasukti iki reikiamos trūkmės.

3. **Jeigu patiekalas išimamas iš krosnelės prieš nustatytos programos trūkmės pabaigą, būtina rankenėlę pasukti į nulinę padėtį.**

4. Krosnelėi sustabdyti pasukti laikmačio rankenėlę į nulinę padėtį. Jeigu krosnelės durelės atidaromos, kai krosnelė veikia, krosnelė automatiškai išjungiamas. Uždarus dureles, krosnelė toliau veikia kaip buvo nustatyta. Jeigu visa nustatyta trūkmė nėra reikalinga, laikmačio rankenėlę pasukti į nulinę padėtį.

DĒMESIO: Įjungus krosnelę, kai jos viduje nėra patiekalo, prietaisas gali sugesti.

VALYMAS IR PRIEŽIŪRA

1. Krosnelę būtina reguliariai valyti ir šalinti visus maisto likučius. Palikus nevalytą krosnelę, gali būti pažeidžiamas jos paviršius ir neigiamai veikti prietaiso tinkamumą naudoti bei sukelti pavojingų įvykių.
2. Prieš pradėdant valyti mikrobangų krosnelę būtina išjungti ir ištraukti laido kištuką iš tinklo lizdo.
3. Krosnelės vidų būtina laikyti švarų. Užteršus krosnelės vidaus sienes, maisto likučius ar išsiliejusį skystį išvalyti drėgnu skudurėliu.
4. Jeigu užteršta stipriai, naudoti švelnų valiklį. Nenaudoti valiklių, kurių sudėtyje yra šveičiamųjų medžiagų.
5. Nenaudoti purškiamų ir kitų stiprių valiklių, kadangi dėl jų krosnelės ir durelių paviršiuje gali atsirasti dėmių, nuobėgų arba paviršius pasidaryti matinis.
6. Krosnelės išorės paviršių valyti drėgnu skudurėliu. Kad nesugestų mikrobangų krosnelės viduje esantys elementai, stengtis, kad vanduo nevarvėtų pro vėdinimo angas į jos vidų.
7. Abi durelių, langelio puses, durelių tarpiklius ir gretimas dalis būtina dažnai valyti drėgnu skudurėliu ir pašalinti visus maisto likučius ar išsiliejusius skysčius.
8. Neleisti, kad valdymo skydas sudrėktų. Valyti drėgnu minkštu skudurėliu. Valdymo skydai valyti nenaudoti valiklių, šveičiamųjų medžiagų ar purškiklių.
9. Jeigu vandens garai kaupiasi krosnelės viduje ar apie dureles, valyti minkštu skudurėliu. Taip gali atsitikti, kai krosnelė naudojama padidėjusios drėgmės sąlygomis ir nėra jokių prietaiso gedimo požymių.
10. Periodiškai sukamąją lėkštę valyti šiltu virintu vandeniu arba indaplovėje.
11. Kad krosnelė veiktų tyliai, reguliariai valyti sukamąją lėkštę ir krosnelės vidaus apačią. Naudoti švelnų valiklį, vandenį arba langų ploviklį. Sukamąjį žiedą galima plauti drungname vandenyje arba indaplovėje. Nuvalius sukamąjį žiedą, įsitikinti, kad žiedas padėtas toje pačioje vietoje, kur buvo prieš jį išimant.
12. Verdant gali kauptis garai iš verdamo maisto ar skysčių. Garai neveikia mikrobangų krosnelės vidaus paviršiaus ir sukamojo žiedo ratuko.
13. Jeigu krosnelės viduje lieka kvapų, į krosnelę įdėti vandens ir citrinų sulčių arba vandens ir citrinų žievelių mišinį inde, kuris tinkamas naudoti mikrobangų krosnelėje. Mišinį pakaitinti 5 minutes ir paskiau krosnelės vidų išvalyti minkštu skudurėliu.
14. **[SPĖJIMAS: prietaisą negalima valyti garų valikliu**

TECHNINIAI DUOMENYS:

Maitinimo įtampa: 230-240V ~50Hz

Didžiausia galia: 1100W

Mikrobangų galia: 700W

Dažnis: 2450 MHz

IKrosnelės talpa: 20 litru



Rūpinantis aplinka...

Kartono pakuotes atiduoti į makulatūrą. Polietileno (PE) maišelius mesti į plastikui skirtą konteinerį. Susidėvėjusį prietaisą atiduoti į atitinkamą atliekų surinkimo vietą, nes prietaise esančios pavojingos medžiagos gali kelti grėsmę aplinkai. Elektrinį prietaisą atiduoti tokį, kad nebūtų galima jo pakartotinai naudoti ir panaudoti. Jeigu prietaise yra baterijos, būtina jas išimti ir atskirai atiduoti į atliekų surinkimo vietą. Nemesti prietaiso į buitinių atliekų konteinerį!

LATVIEŠU

VISPĀRĪGI DROŠĪBAS NOTEIKUMI

SVARĪGI DROŠAS IZMANTOŠANAS NORĀDĪJUMI. LŪDZU, UZMANĪGI IZLASIET UN SAGLABĀJIET

1. Pirms ierīces lietošanas uzmanīgi izlasiet lietošanas instrukciju un rīkojieties saskaņā ar tās norādījumiem. **Ražotājs nenes atbildību par bojājumiem, kas radušies nepareizas lietošanas rezultātā, izmantojot ierīci pretēji paredzētajiem mērķiem.**
2. Ierīce paredzēta izmantošanai tikai mājās vajadzībām. Neizmantojiet citiem nolūkiem, kas neatbilst paredzētajam mērķim.
3. Ierīci pieslēdziet elektriskajai kontaktligzdai ar zemējumu 230-240V ~50Hz.


Lai palielinātu ierīces izmantošanas drošību, vienai elektrības ķēdei vienlaicīgi nedrīkst pieslēgt vairākas elektriskās ierīces.

4. Esiet īpaši uzmanīgi lietojot ierīci, ja tuvumā ir bērni. Neļaut bērniem spēlēties ar ierīci. Neļaut ierīci izmantot bērniem un personām, kuras nav iepazinušās ar ierīces lietošanas noteikumiem.
5. **BRĪDINĀJUMS: Šo ierīci nedrīkst izmantot bērni, kuri nav sasnieguši 8 gadu vecumu, personas ar ierobežotām fiziskām vai garīgām spējām vai personas, kurām nav pieredzes vai zināšanas darbā ar ierīci, ja vien ierīces izmantošana nenotiek atbildīgās personas uzraudzībā vai sekojot atbildīgās personas norādījumiem par drošu aprikojuma ekspluatāciju, apzinoties draudus saistībā ar ierīces izmantošanu. Bērniem nevajadzētu rotaļāties ar ierīci. Ierīces tīrīšanu un uzglabāšanu nedrīkst veikt bērni, kuri nav sasnieguši vismaz 8 gadu vecumu. Šīs darbības jāveic pieaugušo personu uzraudzībā.**
6. Pēc ierīces izmantošanas, atvienojiet strāvas padeves vadu, pieturot elektrisko kontaktligzdu ar roku. **NERAUJIET** aiz strāvas padeves vada.
7. Neatstājiet ierīci pieslēgtu strāvas padeves vadam bez uzraudzības.
8. Neiegremdējiet strāvas vadu, kontaktdakšu vai visu iekārtu ūdenī. Neatstājiet ierīci laika apstākļu (lietus, saule u. tml.) un paaugstināta mitruma ietekmei (vannas istabas, mitras kempinga mājiņas).
9. Laiku pa laikam pārbaudiet strāvas padeves vada tehnisko stāvokli. **Ja strāvas padeves vads ir bojāts, servisa centrā nomainiet to pret jaunu, lai izvairītos no draudiem Jūsu veselībai.**
10. Nelietojiet ierīci, kas darbojas nepareizi vai ir bojāts strāvas padeves vads vai arī ierīce ir tikusi nomesta zemē. Nelabojiet ierīci pašrocīgi, jo tas draud ar strāvas triecienu. Bojāto ierīci nododiet servisa centrā, lai tā tiktu pārbaudīta vai salabota. **Remontdarbus var veikt tikai pilnvarots servisa centrs. Nepareizi veikts ierīces remonts var nopietni apdraudēt lietotāja dzīvību.**
11. Novietojiet ierīci uz stabilas un līdzenas virsmas, atstāvis no uzsilstošām virtuves iekārtām, piemēram, elektriskā plīts, gāzes deglis u. tml.
12. Neizmantojiet ierīci viegli uzliesmojošu materiālu tuvumā.
13. Strāvas padeves vads nedrīkst nokarāties pāri galda malai vai pieskarties karstajām virsmām.
14. Pirms ierīces tīrīšanas vai pēc lietošanas beigām, atvienojiet strāvas padeves vadu no elektriskās kontaktligzdas, pieturot kontaktligzdu ar roku. **NERAUJIET** aiz strāvas padeves vada.
15. Nelietojiet ierīci bez rotējošās balsta, kas atbalsta rotējošo pamatni un ir novietoti pareizā pozīcijā.
16. Neizmantojiet mikroviļņu krāsni citiem nolūkiem kā vien ēdiena pagatavošanai. Neizmantojiet ierīci apģērba, papīra vai citu produktu, kas nav pārtikas produkti, žāvēšanai. Neizmantojiet ierīci sterilizācijas nolūkiem.
17. Nekad neizmantojiet tukšu mikroviļņu krāsni, jo tas var sabojāt ierīci.
18. Neizmantojiet mikroviļņu krāsni dažādu produktu uzglabāšanai kā, piemēram, papīrs, grāmatas utt.
19. Pārtikas produktus ar biezu miziņu kā, piemēram, kartupeļi, āboli, ēdamie kastaņi, pirms gatavošanas pārduriet pāris reizes.
20. Neievietojiet nekāda veida priekšmetus ierīces korpusa atverēs.
21. Nekad neizņemiet nekādas mikroviļņu krāsns detaļas. **UZMANĪBU!** Neizņemiet vāku.

Mikroviļņu starojuma un augstsprieguma avots.

22. Nenovietojiet un negatavojiet ēdienu tikai uz rotējošās pamatnes. Vienmēr ievietojiet pārtiku mikroviļņu krāsnij paredzēta traukā.
23. Izmantojiet tikai tos traukus, kas ir piemēroti lietošanai mikroviļņu krāsnīs.
24. Jāsauglabā nepieciešamā brīvā telpa virs mikroviļņu krāsns augšējā plauktiņa (minimums 30 cm).
25. Mikroviļņu krāsnī necepiet pārtikas produktus. Karstā eļļa var sabojāt mikroviļņu krāsns detaļas un traukus kā arī izraisīt ādas bojājumus.
26. **BRĪDINĀJUMS: Traukā uzkaršušais šķidrums ir ļoti karsts, pat ja trauks, pēc ēdiena pagatavošanas un izņemšanas no mikroviļņu krāsns, pieskārienā neliekas karsts.**
27. Dzērienu uzkaršēšana mikroviļņu krāsnī var izraisīt aizkavētu karstā šķidruma izvirdumu. Ieteicams uzmanīties, darbojoties ap šķidrumu saturošo trauku.
28. Bērniem paredzēto pudelīšu vai pārtikas burciņu saturu jāsamaisa vai jāsakrata, bet pirms pasniegšanas jāpārbauda ēdiena temperatūra, lai izvairītos no apdeguma draudiem.
29. Ja esat pamanījis dūmus, izslēdziet mikroviļņu krāsnī, atvienojiet strāvas padeves vadu no elektriskās kontaktligzdas un atstājiet ierīces durvis aizvērtas, lai nodzēstu radušās liesmas.
30. Virtuves trauki karstā gaisa plūsmas rezultātā var uzkarst. Trauku pārnēsāšanai izmantojiet atbilstošus rokturus.
31. Lai novērstu ugunsgrēka draudus ierīces iekšpusē, ievērojiet sekojošus norādījumus:
 - a. negatavojiet pārāk lielu ēdiena daudzumu papīra, plastmasas vai viegli uzliesmojošos traukos
 - b. noņemiet visas metāla daļas no iepakojuma, pirms tā ievietošanas mikroviļņu krāsnī
 - c. pagatavojot ēdienu mākslīga izejmateriāla vai papīra traukos, sekojiet līdzi mikroviļņu krāsns darbam, lai izvairītos no materiāla aizdegšanās
32. **BRĪDINĀJUMS:** Ja mikroviļņu krāsns durtiņas ir bojātas, ierīci nedrīkst izmantot līdz bojājumus nebūs likvidējusi kvalificēta persona.
33. **BRĪDINĀJUMS:** Jebkāda veida remonts, kas saistīts ar mikroviļņu krāsns korpusa noņemšanu, kas aizsargā pret mikroviļņu enerģiju, ir bīstami un tos ir jāveic tikai pilnvarotām personām.
34. **BRĪDINĀJUMS:** Šķidrumus un pārtikas produktus nedrīkst uzsildīt noslēgtos traukos, jo tie var uzsprāgt.
35. Mikroviļņu krāsns ir paredzēta izmantošanai kā brīvi stāvoša ierīce. Mikroviļņu krāsnī nedrīkst ievietot skapī.
36. Ieteicams regulāri tīrīt ierīci un noņemt piekaltušās ēdiena pēdas.
37. Nevērtība pret iekārtas tīrību var izraisīt virsmas stāvokļa izmaiņas, kas ievērojami ietekmē mikroviļņu krāsns darbu un noved pie bīstamām situācijām. Mikroviļņu krāsns iekšpusē saglabājiet tīrā stāvoklī. Ja tiek nosmērētas mikroviļņu krāsns iekšējās sienas, satīriet pielipušos pārtikas gabalus vai izlijušo šķidrumu ar mitru drāniņu.
38. Spēcīgāku netīrumu gadījumā izmantojiet maigu tīrīšanas līdzekli. Neizmantojiet tīrīšanas līdzekļus, kas satur abrazīvas vielas.
39. Neizmantojiet izsmidzināmus un spēcīgas iedarbības tīrīšanas līdzekļus, jo tie var notraipīt vai padarīt matētu mikroviļņu krāsns vai durtiņu virsmu.
40. Mikroviļņu krāsns ārējā virsmu tīriet ar mitras drāniņas palīdzību. Lai izvairītos no

mikrovilņu krāsns iekšējiem bojājumiem, uzmanieties, lai ūdens caur ventilācijas atverēm nenonāktu ierīces iekšpusē.

41. Abas durtiņu puses, lodziņu, durtiņu starplikas un blakus daļas bieži tīriet ar mitru drāniņu, lai noņemtu visas ēdiena paliekas vai izlijušos šķidrumus.
42. Nepieļaujiet, ka vadības panelis varētu samirkt. Vadības paneli tīriet ar mīkstu un mitru drāniņu. Vadības paneļa tīrīšanai neizmantojiet abrazīvus tīrīšanas, mazgāšanas un izsmidzināmos līdzekļus.
43. Ja ūdens tvaiki uzkrājas mikrovilņu krāsns iekšpusē vai ap durtiņām, notīriet tos ar mīkstu drāniņu. Šāda situācija var rasties dēļ tā, ka ierīce darbojas paaugstināta mitruma apstākļos un nav radušās ierīces bojājumu pazīmes.
44. Laiku pa laikam mazgājiet rotējošo pamatni silftā, uzvārtītā ūdenī vai trauku mazgājamā mašīnā.
45. Nesildiet mikrovilņu krāsni olas ar visām čaumalām vai cieti izvārtītas veselas olas. Tās var uzsprāgt pat pēc sildīšanas procesa beigām.
-  46. Nepieskarieties karstajām mikrovilņu krāsns virsmām (durtiņām, augšējai vai apakšējai sieniņai un sānu sieniņām). Karsto priekšmetu izņemšanai un pārvietošanai izmantojiet karstuma izturīgos virtuves cimdsus.
47. Papildu aizsardzībai, vannas istabas elektrības piegādes ķēdē ieteicams uzstādīt paliekošās strāvas iekārtu (RCD) ar nominālo strāvu, kas nepārsniedz 30 mA. Šajā sakarā, lūdzu, sazinieties ar kvalificētu elektriķi.
48. **BRĪDINĀJUMS!** Pēc tam ļaujiet bērniem izmantot cepeškrāsni bez uzraudzības, ja viņiem ir dotas pienācīgas instrukcijas, lai tās varētu droši izmantot cepeškrāsni un apzināties nepareizas lietošanas radītos apdraudējumus.
49. Mikrovilņu krāsni nedrīkst izmantot pārtikas un dzērienu metāla konteinerus.

IERĪCES APRAKSTS (1. zīm.)

1. Durtiņu blokāde
2. Mikrovilņu krāsns lodziņš
3. Rotējošais balsts ar rotējošo pamatni
4. Durtiņu atvēršanās
5. Vadības panelis
6. Rotējošā pamatne no stikla

VADĪBAS PANELIS (2. zīm.)

- 2.1. Taimeris 0-30 minūtes
- 2.2. Gatavošanas jaudas regulators

I:	zems gatavošanas jaudas līmenis – 20%
II:	vidēji zems gatavošanas jaudas līmenis – 52%
III:	vidējs gatavošanas jaudas līmenis – 73%
IIII:	vidēji liels gatavošanas jaudas līmenis – 88%
IIIII:	augsts gatavošanas jaudas līmenis – 100%
☼	atkausēšana – 42%

PIRMS PIRMĀS LIETOŠANAS REIZES

1. Pārliecinieties, vai visi iepakojumi ir izņemti no cepeškrāsns iekšpuses.
2. **Spārbaudiet, vai nav radušās bojājumu pēdas, piemēram, izliektas vai iebuktētas durtiņas, bojātas durtiņu starplikas, bojāta saķeres virsma, bojāti vai ļaigji durtiņu slēgmehānismi un eņģes, ieliekumi mikrovilņu krāsns iekšpusē vai durtiņās.** Bojājumu gadījumā nelietojiet ierīci un sazinieties ar servisu.
3. Nepakļaujiet mikrovilņu krāsni augstas temperatūras vai mitruma ietekmei. Nenovietojiet ierīci viegli uzliesmojošu materiālu tuvumā.
4. Mikrovilņu krāsni novietojiet uz līdzenas, stabilas virsmas, kura ir piemērota tās svaram.
5. Neko nenovietojiet uz mikrovilņu krāsns virsmas un neaizsedziet ventilācijas atveres.
6. Neizņemiet piedziņas rullīti no rotējošās pamatnes.
7. Ņemot vērā bērnu drošību, lietošanas laikā nekad neatstājiet ierīci bez uzraudzības.

IERĪCES LIETOŠANA

1. Pēc pārtikas novietošanas uz rotējošās stikla pamatnes ierīces iekšpusē. Aizveriet ierīces durtiņas, noregulējiet gatavošanas jaudas

līmeni (2.2. zīm.) un taimera laiku (2.1. zīm.).

UZMANĪBU: TŪLĪT PĒC LAIKA UZSTĀDĪŠANAS, MIKROVIĻŅU KRĀSNS SĀK DARBU.

2. Ja nepieciešamais gatavošanas laiks ir īsāks par 5 minūtēm, vispirms noregulējiet taimera slēdzi aiz 5 minūšu atzīmes, bet pēc tam uzstādiest nepieciešamo taimera laiku.

3. Ja produkts ir ticis izņemts no mikroviļņu krāsns pirms beidzies ieprogrammētais laiks, OBLIGĀTI NOREGULĒJIET TAIMERA SLĒDZI NULLES POZĪCIJĀ.

4. Lai apturētu mikroviļņu krāsns darbu, pagrieziet taimera slēdzi nulles pozīcijā. Ja gatavošanas laikā atveras mikroviļņu krāsns durvīņas, ierīce automātiski pārtrauc darbu. Atkārtota durvīņu aizvēršana automātiski ieslēgs ierīci, ņemot vērā tās agrākos iestatījumus. Ja nav nepieciešams atlikušais gatavošanas laiks, pagrieziet taimera slēdzi atpakaļ nulles pozīcijā.

UZMANĪBU: IERĪCES IESLĒGŠANA TUKŠGAITĀ VAR BEIGTIES AR MIKROVIĻŅU KRĀSNS SABOJĀŠANU.

TĪRĪŠANA UN UZGLABĀŠANA

1. Ierīci ir jātīra regulāri, ņemot visas pārtikas nogulsnes. Atstājot mikroviļņu krāsni neiztīrītu, var tikt sabojāta tās virskārta, kas savukārt negatīvi ietekmē ierīces dzīvotspēju un radīt dzīvībai bīstamas situācijas.
2. Pirms sākt tīrīšanu, izslēdziet ierīci un atvienojiet no strāvas padeves avota.
3. Mikroviļņu krāsns iekšpusi saglabājiet tīrā stāvoklī. Ja tiek nosmērētas mikroviļņu krāsns iekšējās sienīņas, satīriet pielīpušos pārtikas gabalus vai izlijušo šķidrumu ar mitru drāniņu.
4. Spēcīgāku netīrumu gadījumā izmantojiet maigu tīrīšanas līdzekli. Neizmantojiet tīrīšanas līdzekļus, kas satur abrazīvas vielas.
5. Neizmantojiet izsmidzināmus un spēcīgus iedarbības tīrīšanas līdzekļus, jo tie var notraipīt vai padarīt matētu mikroviļņu krāsns vai durvīņu virsmu.
6. Mikroviļņu krāsns ārējā virsmu tīriet ar mitras drāniņas palīdzību. Lai izvairītos no mikroviļņu krāsns iekšējiem bojājumiem, uzmanieties, lai ūdens caur ventilācijas atverēm nenonāktu ierīces iekšpusē.
7. Abas durvīņu puses, lodziņu, durvīņu starplikas un blakus daļas bieži tīriet ar mitru drāniņu, lai noņemtu visas ēdiena paliekas vai izlijušos šķidrumus.
8. Nepieļaujiet, ka vadības panelis varētu samirkēt. Vadības paneli tīriet ar mīkstu un mitru drāniņu. Vadības paneļa tīrīšanai neizmantojiet abrazīvas vai izsmidzināmus mazgāšanas un tīrīšanas līdzekļus.
9. Ja ūdens tvaiki sakrājas mikroviļņu krāsns iekšpusē vai ap durvīņām, noslaukiet to ar mīkstu drāniņu. Šāda situācija var rasties dēļ tā, ka ierīce darbojas paaugstinātā mitruma apstākļos un nav radušās ierīces bojājumu pazīmes.
10. Laiku pa laikam mazgājiet rotējošo pamatni siltā, uzvārtā ūdenī vai trauku mazgājamā mašīnā.
11. Lai izvairītos no pārmērīga trokšņa mikroviļņu krāsns darbības laikā, regulāri notīriet rotējošās pamatnes balstu un ierīces iekšpusi apakšu. Šim nolūkam var izmantot maigu tīrīšanas līdzekli, ūdeni vai logu tīrīšanas līdzekli. Rotējošās pamatnes balstu var noskalot remdenā ūdenī vai mazgāt trauku mazgājamā mašīnā. Pēc rotējošās pamatnes balsta notīrīšanas jāpārīecinās, vai tas ticis pareizi uzmontēts vietā, kur tas atradās pirms tīrīšanas.
12. Gatavošanas laikā var izdalīties gatavota ēdiena vai šķidruma tvaiki. Tam nav ietekmes uz mikroviļņu krāsns iekšpusi virsmu un rotējošās pamatnes balstu.
13. Lai novērstu gatavošanas laikā radušās smaržas, mikroviļņu krāsns iekšpusē ievietojiet ūdens un citrona sulas maisījumu vai ūdens trauciņu ar citrona miziņām. Traukam jābūt piemērotam lietošanai mikroviļņu krāsnī. Šos maisījumus sildiet 5 minūtes, pēc tam izslaukiet ierīces iekšpusi ar mīkstu drāniņu.
14. BRĪDINĀJUMS: Ierīci nevar tīrīt ar tvaika tīrītāju

TEHNISKIE PARAMETRI:

Strāvas spriegums: 230-240V ~50Hz Maks. jauda: 1100 W Mikroviļņu jauda: 700 W

Frekvence: 2450 MHz

Mikroviļņu krāsns tilpums: 20 litri



Apkārtējās vides aizsardzība

Kartona iepakojumu, lūdzu, nododiet atsevišķai pārstrādei. Polietilēna maisījumus (PE) izmest plastmasas izstrādājumiem paredzētajos konteineros. Lietotās elektropreces nododiet attiecīgajos pieņemšanas punktos. Ierīcē satur bīstamas sastāvdaļas, kas var izraisīt draudus apkārtējai videi. Elektroierīce jānodod tā, lai ierobežotu tās atkārtotu izmantošanu. Ja ierīce atrodas baterijas, izņemiet tās un nododiet pieņemšanas punktā atsevišķi. Produktu neizmest sadzīves atkritumu konteinerā!

EESTI


ÜLDISED OHUTUSJUHISED

LUGEGE SEADME KASUTUSOHUTUST PUUDUTAVAD JUHISED TÄHELEPANELIKULT LÄBI JA HOIDKE ALLES

1. Enne kui asute seadet kasutama, lugege läbi kasutusjuhend ja toimige vastavalt selles toodud infole. **Tootja ei vastuta kahjude eest, mis on tekkinud seadme mittesihipärase kasutuse või vale hoolduse tagajärjel.**
2. Seade on mõeldud vaid kodukasutuseks. Ärge kasutage seadet vastuolus selle määratud otstarbega.

3. Ühendage seadme pistik vaid 230-240V ~50Hz maandusega pistikupesadesse. Kasutusohutuse tagamiseks ärge ühendage ühte voluleringi korraga mitut elektriseadet.
4. Olge seadme kasutamisel eriti ettevaatlik juhul, kui läheduses viibib lapsi. Ärge lubage lastel seadmega mängida ning välistage võimalus, et seadet saaksid kasutada lapsed või isikud, kes ei ole seadmega tuttavad.
5. **ETTEVAATUST: 8-aastased ja vanemad lapsed, füüsilise-, sensoorse- või vaimse puudega inimesed, samuti inimesed, kelle pole piisavalt koemusi ega teadmisi seadme kasutamiseks, võivad seadet kasutada vaid nende ohutuse eest vastutava isiku järelevalve all või juhul, kui neile on antud piisavad juhtnöörid seadme ohutuks kasutamiseks ja nad on teadlikud ohtudest, mis võivad seadme kasutamisega kaasneda. Ärge lubage lastel seadmega mängida. Ärge lubage lastel seadet puhastada ega hooldada, välja arvatud juhul, kui laps on 8-aastane või vanem ja tegutseb järelevalve all.**
6. Kui olete seadme kasutamise lõpetanud, tõmmake pistik pistikupesast välja, hoides selle toimingu ajal käega pistikupesast kinni. **ÄRGE tõmmake pistikut pistikupesast välja toitejuhet pidi.**
7. Ärge jätke volulvõrku ühendatud seadet järelevalveta.
8. Ärge kastke toitejuhet, pistikut ega seadet vette ega muudesse vedelikesse. Vältige keskkonnategurite (vihm, päike jms) otsest mõju seadmele ja ärge kasutage seadet niisketes tingimustes (vannitoad, niisked kämpingumajad).
9. Kontrollige regulaarselt toitejuhtme seisundit. **Kui ilmneb, et toitejuhe on kahjustatud, laske see ohu vältimiseks välja vahetada volitatud parandustöökojas.**
10. Ärge kasutage vigastatud toitejuhtmega, mahakukkunud, kahjustatud või ebatavalisel viisil töötavat seadet. Ärge parandage seadet ise, sest võite ennast vigastada. Viige kahjustatud seade kontrollimiseks või parandamiseks volitatud parandustöökohta. **Mistahes parandustööd tohivad teha vaid volitatud parandustöökojad. Valesti tehtud parandustööd võivad seadme kasutajat tõsiselt ohustada.**
11. Kasutage seadet jahedal, stabiilsel, siledal pinnal, eemal kuumenevatest köögiseadmetest, nagu elektripliit, gaasipõleti jms.
12. Ärge kasutage seadet tuleohtlike materjalide läheduses.
13. Jälgige, et seadme toitejuhe ei ripuks üle laua ääre ega puutuks vastu kuumi pindu.
14. Enne seadme puhastamist ja juhul, kui olete seadme kasutamise lõpetanud, tõmmake pistik pistikupesast välja, hoides selle toimingu ajal käega pistikupesast kinni. **ÄRGE tõmmake pistikut pistikupesast välja toitejuhet pidi.**
15. Ärge kasutage mikrolaineahju ilma õigesse asendisse paigaldatud pöörleva taldriku ja pöörleva rõngata.
16. Ärge kasutage mikrolaineahju muuks otstarbeks kui toiduvalmistamine. Ärge kasutage mikrolaineahju rõivaste, paberi ega muude mittesöödavate materjalide kuivatamiseks. Ärge kasutage mikrolaineahju steriliseerimiseks.
17. Ärge kunagi kasutage mikrolaineahju tühjalt, sest see võib seadet kahjustada.
18. Ärge hoidke mikrolaineahjus mingeid esemeid, nagu paber, raamatud vms.
19. Kõva koorega toiduainetel, nagu kartulid, õunad või kastanid, torgake enne mikrolaineahju valmistamist koorde mõned augud.
20. Ärge torgake mingeid esemeid avastesse ahju korpuses.
21. Ärge kunagi eemaldage mikrolaineahju küljest tükke. **ETTEVAATUST: Ärge eemaldage kaant. Mikrolaineikiirguse ja kõrgepinge allikas.**

22. Ärge kunagi valmistage toitu otse pöörleval taldrikul. Valmistage toitu alati vaid spetsiaalselt mikrolaineahju jaoks mõeldud nõudes.
23. Kasutage vaid nõusid, mis sobivad kasutamiseks mikrolaineahjus.
24. Jätke mikrolaineahju kohale piisavalt vaba ruumi (vähemalt 30cm).
25. Ärge praadige toiduaineid mikrolaineahjus. Kuum õli võib rikkuda ahju osi või nõusid ning põhjustada nahapõletusi.
26. **ETTEVAATUST: Mikrolaineahjus soojendatud vedelik on väga kuum, seda isegi juhul, kui nõu ei tundu pärast mikrolaineahjust väljavõtmist puudutamisel kuum.**
27. Mikrolaineahjus kuumutatud vedelikus võib ka pärast ahjust väljavõtmist tekkida järsk keemisprotsess, seetõttu olge ahjust väljavõetud jooginõudega ettevaatlik.
28. Lutipudelite ja lastetoidu purkide sisu tuleb pärast ahjust võtmist hoolikalt segada või raputada ja põletuste vältimiseks kindlasti kontrollida toidu temperatuuri enne lapsele andmist.
29. Kui märkate mikrolaineahjust eralduvat suitsu, lülitage ahi välja, eemaldage toitejuhtme pistik pistikupesast ja jätke aju uks kinni, et leek kustuks.
30. Nõud võivad kuumenenud toidu mõjul samuti soojeneda. Kasutage nõude tõstmiseks spetsiaalseid käepidemeid.
31. Et vältida põlengut mikrolaineahju sees, pidage kinni järgmistest reeglitest:
 - a. ärge kuumutage toitu liiga kaua paberist, plastist või muust kergestisüttivast materjalist nõudes
 - b. enne mikrolaineahju asetamist eemaldage pakenditelt kõik metallidetailid
 - c. kui soojendate toitu plastist või paberist nõudes, arvestage et need nõud võivad süttida ja kontrollige ahju piisavalt sageli
32. ETTEVAATUST: Kui mikroaineahju uks või selle tihend on kahjustatud, ärge kasutage ahju enne, kui vastava kvalifikatsiooniga isik on vea kõrvaldanud.
33. ETTEVAATUST: Mistahes hooldus- või parandustööd, mille käigus eemaldatakse mikrolaineahju eest kaitsev kate, on ohtlikud ja neid tohivad teha vaid vastava kvalifikatsiooniga isikud.
34. ETTEVAATUST: Ärge kuumutage vedelikke ega muid toiduaineid õukindlalt suletud anumates, sest need võivad plahvatada.
35. Mikrolaineahi on mõeldud kasutamiseks eraldiseisvana. Ärge paigutage mikrolaineahju kappi.
36. Soovitame mikrolaineahju korrapäraselt puhastada ja eemaldada toidujäägid.
37. Mikroaineahjule kauaks püsima jäänud mustus võib kahjustada ahju pinda, vähendada seadme eluiga ja põhjustada ohtlikke olukordi. Hoidke ahju sisemus puhtana. Kui mikrolaineahju siseseinad on määrdunud, eemaldage toiduosakesed või laialivoolanud vedelik niiske lapiga.
38. Tugeva määrdumise korral kasutage leebet puhastusainet. Ärge kasutage abrasiivseid aineid sisaldavaid puhastusvahendeid.
39. Ärge kasutage pihustatavaid puhastusvahendeid ega muid tugevaid puhastusaineid, sest need võivad jätta ahju või selle ukse plekiliseks või triibuliseks ning pinda matistada.
40. Ahju sisepindu puhastage niiske lapi abil. Et vältida mikrolaineahju sees paiknevate komponentide kahjustamist jälgige, et vesi ei tilguks läbi ventilatsioonivahendeid ahju sisemusse.
41. Puhastage ukse mõlemat poolt, akent, ukse tihendeid ja nende läheduses asuvaid detaile piisavalt sageli niiske lapiga, et eemaldada kõik toidujäägid ja laialivoolanud vedelikud.

42. Vältige juhtpaneeli märjakssaamist. Puhastage juhtpaneeli pehme, niiske lapiga. Ärge kasutage juhtpaneeli puhastamiseks puhastusvahendeid, abrasiivseid aineid ega pihuseid.
 43. Kui mikrolaineahju sisepinnale või aju ukse lähedusse kondenseerub veeaur, pühkige see ära pehme lapiga. Seda juhul, kui niisketes tingimustes kasutatud mikrolaineahjul ei esine mingeid talitushäireid.
 44. Peske pöörlevat taldrikut regulaarselt soojas keedetud vees või nõudepesumasinas.
 45. Ärge kuumutage mikrolaineahjus koorega mune ega kõvaks keedetud terveid mune. Munad võivad lõhkeda isegi pärast mikrolaineahjus kuumutamist.
- 

46. Ärge puudutage mikrolaineaju kuumi pindu (uks, ülemine, alumine või külgesein). Toitude väljavõtmiseks ja kuumade pindade puudutamiseks kasutage pajakindaid.
47. Ohutuse tagamiseks on lisameetmena soovitatav paigaldada elektrijuhtmestikule, kust vannituba toite saab, vahelduvvoolukaitse (RDC), mille nominaalne voolutugevus ei ületa 30 mA. Selles küsimuses pöörduge kvalifitseeritud elektriku poole.
 48. HOIATUS: Laske lastel ahju ilma järelevalveta kasutada ainult siis, kui neile on antud nõuetekohased juhised, et nad saaksid ahju ohutult kasutada ja olla teadlikud ebaõigest kasutamisest tulenevatest ohtudest.
 49. Mikrolaineahjus ei tohi kasutada toiduainete ja jookide metallmahuteid.

SEADME KIRJELDUS (joonis 1)

1. Ukse lukk
2. Mikrolaineahju aken
3. Pöörleva rõnga komplekt
4. Ukse avamine
5. Juhtpaneel
6. Pöörle klaastaldrik

JUHTPANEEL (joonis 2)

- 2.1. 0–30 minuti kell
- 2.2. Võimsustaseme reguleerimise nupp

I:	madal võimsustase – 20%
II:	keskmiselt madal võimsustase – 52%
III:	keskmine võimsustase – 73%
IIII:	keskmiselt kõrge võimsustase – 88%
IIIII:	kõrge võimsustase – 100%
✱	sulatamine – 42%

ENNE ESIMEST KASUTAMIST

1. Veenduge, et kõik pakendielemendid oleksid mikrolaineahju sest eemaldatud.
2. **Veenduge, et seadmel ei oleks mingeid kahjustusi, nagu kõver või kaardunud uks, kahjustatud uksetihend, vigastatud kontaktpind, ukse katkises või lõdvd hinged, mõlgid mikrolaineahju sees või ustel.** Mis tahes vigastuste ilmnemisel ärge kasutage seadet ja võtke ühendust parandustöökojaga.
3. Ärge jätke mikrolaineahju kõrge temperatuuri ega niiskuse kätte, samuti ärge asetage ahju kergesti süttivate materjalide lähedusse.
4. Asetage mikrolaineahi siledale ja stabiilsele pinnale, mis ahju kaalule vastu peab.
5. Ärge asetage mingeid esemeid mikrolaineahju peale, ärge ummistage ega katke ventilatsioonivärsid.
6. Ärge eemaldage pöörleva taldriku võlli.
7. Laste turvalisuse tagamiseks ärge kunagi jätke seadet kasutamise ajal järelevalveta.

SEADME KASUTAMINE

1. Asetage toit sobiva nõuga mikrolaineahju sees olevale pöörlevale klaastaldrikule. Sulgege ahju uks ja valige sobiv võimsustase (joonis 2.2) ning kellal sobis valmistusaeg (joonis 2.1).

TÄHELEPANU: KOHE PÄRAST AJA VALIMIST ALUSTAB AHI TÖÖD.

2. Kui soovitud toiduvalmistusaeg on lühem kui 5 minutit, keerake kella nupp kõigepealt üle 5 minuti joone ning seejärel keerake nuppu tagasi soovitud aja tähiseni.
3. **Kui võtate toidu ahjust välja enne, kui valitud aeg on läbi, KEERAKE KELLA NUPP KINDLASTI NULL-ASENDISSE.**
4. Ahju töö peatamiseks keerake kella nupp null-asendisse. Kui mikrolaineahju uks avatakse toiduvalmistamise keskel, lõpetab ahi

automaatselt töö. Kui üks uuesti sulgetakse, jätkab ahi automaatselt tööd valitud programmil. Kui te ei soovi ülejäänud toiduvalmistusajaga kasutada, keerake kella nupp null-asendisse.

TÄHELEPANU: TÜHJA MIKROLAINEAHJU KÄIVITAMINE VÕIB SEADET KAHJUSTADA.

PUHASTAMINE JA HOOLDAMINE

1. Puhastage mikrolaineahju regulaarselt ning eemaldage kõik toidujäägid. Puhastamata mikrolaineahju kasutamine võib seadme pindu kahjustada, mis omakorda lühendab ahju eluiga ja võib tekitada ohuulukordi.
2. Enne kui asute mikrolaineahju puhastama, lülitage seade välja ja eemaldage pistik pistikupesast.
3. Hoidke ahju sisemus puhtana. Kui mikrolaineahju siseseinad on määrdunud, eemaldage toiduosakesed või laialivoolanud vedelik niiske lapiga.
4. Tugeva määrdumise korral kasutage leebet puhastusainet. Ärge kasutage abrasiivseid aineid sisaldavaid puhastusvahendeid.
5. Ärge kasutage pihustatavaid puhastusvahendeid ega muid tugevaid puhastusaineid, sest need võivad jätta ahju või selle ukse plekiliseks või triibuliseks ning pinda matistada.
6. Ahju sisepindu puhastage niiske lapi abil. Et vältida mikrolaineahju sees paiknevate komponentide kahjustamist jälgige, et vesi ei tilguks läbi ventilatsioonivahende ahju sisemusse.
7. Puhastage ukse mõlemat poolt, akent, ukse tihendeid ja nende läheduses asuvaid detaile piisavalt sageli niiske lapiga, et eemaldada kõik toidujäägid ja laialivoolanud vedelikud.
8. Vältige juhtpaneeli märjakssaamist. Puhastage juhtpaneeli pehme, niiske lapiga. Ärge kasutage kontrollpaneeli puhastamiseks puhastusvahendeid, abrasiivseid aineid ega pihustatavaid puhastusaineid.
9. Kui veeaur sattub ahju sisemusse või ukse ümbrusesse, kuivatage ahi pehme lapiga. Seda juhul, kui niisketes tingimustes kasutatud mikrolaineahjul ei esine mingeid talitushäireid.
10. Peske pöörlevat taldrikut regulaarselt soojas keedetud vees või nõudepesumasinas.
11. Liigse müra vältimiseks mikrolaineahju töötamise ajal, puhastage regulaarselt pöörlevat rõngast ja mikrolaineahju sisemist põhja. Selleks võite kasutada leebet puhastusainet, vett, või aknapesuvahendit. Pöörlevat rõngast võite pesta leiges vees või nõudepesumasinas. Kui olete pöörleva rõnga puhastamise lõpetanud, veenduge, et see on õigesti paigaldatud samasse kohta, kus see paiknes enne eemaldamist ja puhastamist.
12. Toiduvalmistamise käigus võib ahju sisemusse koguneda toidust eralduv aur. See aga ei mõjuta kuidagi ahju sisepindu ega pöörlevat rõngast.
13. Pärast toiduvalmistamist mikrolaineahju jääva lõhna eemaldamiseks asetage ahju sisse mikrolaineahju jaoks sobiv nõu vee ja sidrunimahla või vee ja sidrunikoorte seguga. Kuumutage seda segu ahjus 5 minutit ning seejärel pühkige ahi pehme lapiga puhtaks.
14. HOIATUS: Seadet ei saa puhastada aurupuhastiga

TEHNILISED ANDMED:

Toitepinge: 230-240V ~50Hz

Maksimaalne võimsus: 1100W

Mikrolainete võimsus: 700W

Sagedus: 2450 MHz

Ahju maht: 20 liitrit



Hoolitse keskkonnakaitse eest.

Kartongist pakendid või makulatuuri. Kilekotid (PE) viska kasutatud plastiku jaoks ettenähtud mahutitesse. Kasutatud seadmed või selleks ettenähtud kogumispunktidesse, sest seadmes leiduvad ohtlikud elemendid võivad olla kahjulikud keskkonnale. Elektriseadmed tuleb anda nii ära, et seadet ei saaks enam uuesti kasutada. Kui seadmes on patareid, tuleb need välja võtta ja anda eraldi kogumispunkti. Seadet ei tohi visata olmejäätmete konteineritesse!!

BOSANSKI

OPŠTI USLOVI BEZBJEDNOSTI

VAŽNE UPUTE KOJE SE TIČU BEZBJEDNOSTI UPOTREBE. PROČITAJTE IH PAŽLJIVO I SAČUTOVAJTE KAKO BISTE IH KONSULTOVALI U BUDUĆNOSTI

1. Prije početka eksploatacije aparata treba pročitati uputstvo za upotrebu i postupati prema njegovim uputama. **Proizvođač ne snosi odgovornost za štete koje su nastale uslijed nenamjenske upotrebe ili neodgovarajućeg rukovanja.**
2. Aparat je namjenjen isključivo za kućnu upotrebu. Ne smije se koristiti u druge svrhe – koje nisu u skladu s njegovom namjenom.
3. Aparat treba priključiti isključivo u utičnicu sa uzemljenjem 230-240V ~50Hz. U cilju povećanja bezbjednosti eksploatacije, u jedno strujno kolo se ne može istovremeno priključiti više električnih uređaja.
4. Treba obraćati posebnu pažnju tokom korištenja aparata, kad se u blizini nalaze djeca. Nemojte dopustiti djeci da se igraju aparatom. Nemojte dozvoljavati djeci niti osobama

koje nisu upoznate sa aparatom da ga koriste.

5. **UPOZORENJE: Ovaj uređaj mogu da koriste djeca starija od 8 godina i osobe sa ograničenim fizičkim, osjetilnim i mentalnim sposobnostima ili osobe neiskusne te neupoznate sa uređajem, ako se upotreba vrši pod nadzorom osobe odgovorne za njihovu bezbjednost ili ako su ove osobe dobile upute vezane za bezbjednu upotrebu uređaja i svjesne su opasnosti vezanih za upotrebu uređaja. Djeca se ne smiju igrati sa uređajem. Čišćenje i konzervacija uređaja ne smije se vršiti od strane djece, sem ako su starija od 8 godina i vrše ove radnje pod nadzorom odrasle osobe**
6. Uvijek nakon upotrebe, izvadite utikač iz utičnice za napajanje, pridržavajući utičnicu rukom. NEMOJTE vući mrežni kabel.
7. Ne ostavljajte uređaj bez nadzora dok je priključen u utičnicu.
8. Ne potapati kabel, utikač ili sav aparat u vodu ili bilo koju drugu tečnost. Ne izlagati djeinstvu atmosferskih prilika (kiša, sunce i dr.) i ne koristiti u uslovima povišene vlažnosti (kupačila, „vlažne” vikendice).
9. Periodično provjeravajte stanje kabela za napajanje. **Ako je kabel za napajanje oštećen, treba biti promjenjen od strane specijalizovanog servisa sa ciljem sprječavanja opasnosti.**
10. Nemojte koristiti aparat: kad je oštećen kabel za napajanje, nakon pada na tlo, kad je na bilo koji način oštećen, kad nepravilno radi. Nemojte samostalno popravljati aparat zbog opasnosti od udara struje. Oštećen aparat predajte odgovarajućem servisu da izvrši provjeru ili popravak. **Sve popravke mogu vršiti isključivo ovlašteni servisi. Nepravilno izveden popravak može prouzročiti ozbiljnu opasnost za korisnika.**
11. Aparat treba staviti na hladnu, stabilnu, ravnu površinu, daleko od zagrijanih kuhinjskih uređaja kao što su: štednjak, plinski plamenik i dr.
12. Nemojte koristiti aparat u blizini lako zapaljivih materijala.
13. Kabel za napajanje ne može visjeti preko ruba stola niti dodirivati vruće površine.
14. Prije čišćenja ili nakon upotrebe treba izvaditi utikač iz mrežne utičnice, pridržavajući utičnicu rukom. NEMOJTE vući mrežni kabel.
15. Nemojte koristiti mikrovalnu pećnicu bez okretnog tanjira i okretnog prstena koji se nalaze u odgovarajućem položaju.
16. Nemojte koristiti mikrovalnu pećnicu za druge svrhe osim za kuhanje hrane. Nemojte koristiti pećnicu za sušenje rublja, papira ili drugih materijala Nemojte koristiti mikrovalnu pećnicu za sterilizaciju.
17. Nikad nemojte koristiti mikrovalnu pećnicu kad je prazna, jer ovo može dovesti do oštećenja uređaja.
18. Nemojte koristiti unutrašnjost mikrovalne pećnice za čuvanje bilo kojih proizvoda kao što su npr. papir, knjige etc.
19. Prehrambeni proizvodi sa debelom korom, kao npr. krompir, jabuke ili kesteni – pre kuhanja nekoliko puta bocnuti.
20. Nemojte stavljati nikakve predmete u otvore u kućištu.
21. Nikad ne odstranjujte dijelove iz mikrovalne pećnice. OPREZ: Nemojte uklanjati poklopac. Izvor mikrovalnog zračenja i visoki napon.
22. Nikad ne kuhajte direktno na okretnom tanjiru. Uvijek stavljajte hranu u posudu namijenjenu za kuhanje u mikrovalnoj pećnici.
23. Koristite samo posude namijenjene za upotrebu u mikrovalnoj pećnici.
24. Treba obezbjediti odgovarajuću visinu neophodnog slobodnog prostora iznad gornje površine pećnice (najmanje 30cm).

25. Nemojte pržiti hranu u mikrovalnoj pećnici. Vruće ulje može oštetiti posude i dijelove mikrovalne pećnice, kao i oštetiti kožu.
26. **UPOZORENJE: Zagrejana tečnost u posudi je vrlo vruća i tada, kad posuda nije vruća na dodir nakon završetka kuhanja i vađenja iz mikrovalne pećnice.**
27. Mikrovalno grijanje napitaka može dovesti do eruptivne reakcije klučanja, zato treba biti oprezan tokom rukovanja posudom.
28. Sadržaj bočica za hranjenje beba i teglica sa hranom za bebe treba pomiješati ili promućkati, te provjeriti temperaturu prije serviranja da biste spriječili opekotine.
29. Ako primjetite dim, isključite pećnicu, izvadite utikač iz utičnice, zatvorite vrata pećnice u cilju da se ugasi plamen.
30. Kuhinjske posude se mogu zagrijati zbog toplote zagrejane hrane. Za premeštavanje posuda koristite odgovarajuće ručice.
31. Da bi ste smanjili vjerovatnoću požara unutar mikrovalne pećnice treba da se pridržavate sljedećih pravila:
 - a. nemojte suviše dugo kuhati hranu u posudama od papira, plastike i drugih lako zapaljivih materijala
 - b. uklonite sve metalne elemente sa pakovanja prije nego što stavite pakovanje u mikrovalnu pećnicu
 - c. tokom podgrijavanja hrane u posudama od vještačkog materijala ili papira, često provjeravajte pećnicu da biste spriječili zapaljenje posude.
32. **UPOZORENJE:** Ako su vrata pećnice ili njihovo zaptivanje oštećeni, pećnica mora da bude van upotrebe dok se ne popravi od strane kvalificirane osobe.
33. **UPOZORENJE:** Vršenje bilo kojih servisnih radnji i popravaka vezanih za skidanje poklopca koji štiti od mikrovalne energije je opasno i treba da se vrši od strane kvalificiranih osoba.
34. **UPOZORENJE:** Tečnosti i drugi prehrambeni proizvodi ne smiju se podgrijavati u hermetički zatvorenim posudama, jer bi ovo moglo dovesti do eksplozije.
35. Mikrovalna pećnica je namijenjena za autonomno korištenje. Pećnica se ne smije stavljati u orman.
36. Preporučuje se redovno čišćenje pećnice i uklanjanje taloga hrane.
37. Nemarnost u korištenju pećnice može da dovodi do pogoršavanja stanja površine što može negativno utjecati na životni vijek pećnice i dovesti do opasnih situacija. Treba održavati čistoću unutrašnjosti pećnice. U slučaju zaprljanja unutrašnjih zidova pećnice uklonite ostatke hrane ili prosutu tečnost uz pomoć vlažne krpice.
38. U slučaju jakog zaprljanja upotrebite blagi detergent. Nemojte koristiti sredstva za pranje koja sadrže abrazivna sredstva.
39. Nemojte koristiti sredstva za čišćenje u spreju i druga jaka sredstva za čišćenje, jer ova sredstva mogu umrljati, ostavljati tragove ili učiniti mutnom površinu pećnice i vrata.
40. Spoljašnju površinu pećnice čistite uz pomoć vlažne krpe. Da se izbjegnu oštećenja podsklopova koji se nalaze unutar mikrovalne pećnice, pazite da voda ne kaplje kroz otvore za ventilaciju u pećnicu.
41. Obje strane vrata, prozorčice, zaptivke vrata i susedne dijelove često brišite vlažnom krpom da biste uklonili sve ostatke hrane ili prosute tečnosti.
42. Nemojte dozvoliti da se pokvasi kontrolni panel. Čistite ga mekom i vlažnom krpicom. Za čišćenje kontrolnog panela nemojte koristiti detergente, abrazivna sredstva ili spraj za čišćenje.
43. Ako se vodena para skuplja unutar pećnice ili oko vrata za pećnicu, brišite je mekom

krpicom. Ovakva situacija se može dogoditi, kad pećnica radi u uslovima povećane vlažnosti i nema nikakvih simptoma kvara uređaja.

44. Čistite periodično stakleni okretni tanjir u toploj, prokuhanoj vodi ili u mašini za pranje sudova.

45. Nemojte zagrevati u pećnici jaja u ljusci ili cijela tvrdo kuhana jaja. Ova jaja mogu da eksplodiraju nakon završetka podgrevanja u mikrovalnoj pećnici.



46. Ne smiju se dodirivati vruće površine pećnice (vrata, gornji i donji zid, bočni zidovi). Za vađenje ili dodirivanje svih vrućih elemenata treba koristiti zaštitne rukavice.

47. Da se obezbijedi dodatna zaštita preporučujemo da u električnom krugu instalirate zaštitni uređaj diferencijalne struje (RCD) sa nominalnom diferencijalnom strujom, koja nije veća od 30 mA. U vezi sa tim treba se obratiti električaru-stručnjaku.

48. **UPOZORENJE:** Tek tada dozvolite djeci da koriste pećnicu bez nadzora ako su im dane odgovarajuće upute kako bi mogle sigurno koristiti pećnicu i biti svjesne opasnosti uslijed nepravilne uporabe.

49. Metalni kontejneri za hranu i piće ne smiju se koristiti u mikrovalnoj pećnici.

OPIS UREĐAJA (slika 1)

1. Blokada vrata
2. Prozor pećnice
3. Sklop okretnog prstena
4. Otvaranje vrata
5. Upravljački panel
6. Stakleni okretni tanjir

UPRAVLJAČKI PANEL (slika 2)

2.1. Mijerač vremena 0-30 minuta

2.2. Ručica za podešavanje nivoa snage

I:	nizak nivo snage – 20%
II:	srednje nizak nivo snage – 52%
III:	srednji nivo snage – 73%
IIII:	srednje visok nivo snage – 88%
IIIII:	visok nivo snage – 100%
☼	odmrzavanje – 42%

PRIJE PRVE UPOTREBE

1. Uvjerite se da li su sva pakovanja izvađena iz unutrašnjosti pećnice.
2. **Provjerite da li nema tragova oštećenja, kao što su npr. iskrivljena vrata, oštećene zaptivke vrata, oštećena površina kontakta, slomljene ili olabavljene šarke i kopče za vrata, udubljenje unutar pećnice ili na vratima.** U slučaju bilo kojih oštećenja nemojte koristiti uređaj i kontaktirajte servis.
3. Nemojte mikrovalnu pećnicu izlagati djeinstvu visoke temperature ili vlage, nemojte je stavljati blizu lako zapaljivih materijala.
4. Mikrovalnu pećnicu postavite na ravnoj i stabilnoj površini koja će izdržati njenu težinu.
5. Nemojte ništa stavljati na mikrovalnu pećnicu niti prekrivati ili začepljavati otvore za ventilaciju.
6. Nemojte vaditi pogonski valjak okretnog tanjira.
7. Zbog bezbjednosti djece nikad ne ostavljajte uređaj bez nadzora tokom upotrebe.

KORIŠTENJE UREĐAJA

1. Nakon stavljanja hrane u odgovarajuću posudu na staklenom okretnom tanjiru unutar pećnice. Zatvorite vrata pećnice, podesite odgovarajući nivo snage (Slika 2. 2) i odgovarajuće vrijeme na mijeraču vremena (Slika 2. 1). **PAŽNJA: NAKON PODEŠAVANJA VREMENA, PEĆNICA ODMAH POČINJE SA RADOM.**
2. Ako je zahtjevano vrijeme kuhanja kraće od 5 minuta, prvo treba okrenuti ručicu mijerača vremena da bude van crte koja označava 5 minuta, a zatim vratiti ručicu mijerača vremena na zahtjevano vreme.
3. **Ako se jelo izvadi iz pećnice prije nego što prođe podešeno vrijeme programa, OBAVEZNO VRATITE RUČICU U NULTI POLOŽAJ.**
4. Da biste zaustavili rad pećnice, okrenite ručicu mijerača vremena u nulti položaj. Ako se vrata pećnice otvore tokom kuhanja, pećnica će automatski prestati da radi. Ponovno zatvaranje vrata će pokrenuti rad pećnice prema ranije izabranim podeševanjima. Ako preostalo vrijeme kuhanja nije zahtjevano, vratite ručicu mijerača vremena u nulti položaj. **PAŽNJA: UKLJUČIVANJE PEĆNICE BEZ JELA UNUTAR NJENE KOMORE PRIJETI OŠTEĆENJEM UREĐAJA.**

ČIŠĆENJE I ODRŽAVANJE

1. Pećnicu treba redovno čistiti i uklanjati sve taloge hrane. Ostavljanje neočišćene pećnice može dovesti do oštećenja površine što može loše utjecati na vijek trajanja uređaja i dovesti do opasnih situacija.
2. Prije početka čišćenja isključite mikrovalnu pećnicu i izvadite utikač voda sa mrežne utičnice.
3. Treba održavati čistoću unutrašnjosti pećnice. U slučaju zaprljanja unutrašnjih zidova pećnice uklonite ostatke hrane ili prosutu tečnost uz pomoć vlažne krpice.
4. U slučaju jakog zaprljanja upotrebite blagi detergent. Nemojte koristiti sredstva za pranje koja sadrže abrazivna sredstva.
5. Nemojte koristiti sredstva za čišćenje u spreju i druga jaka sredstva za čišćenje, jer ova sredstva mogu umrljati, ostavljati tragove ili učiniti mutnom površinu pećnice i vrata.
6. Spoljašnju površinu pećnice čistite uz pomoć vlažne krpice. Da se izbjegnu oštećenja podsklopova koji se nalaze unutar mikrovalne pećnice, pazite da voda ne kaplje kroz otvore za ventilaciju u pećnicu.
7. Obje strane vrata, prozorčice, zaptivke vrata i susjedne dijelove često brišite vlažnom krpom da biste uklonili sve ostatke hrane ili prosute tečnosti.
8. Nemojte dozvoliti da se pokvasi kontrolni panel. Čistite ga mekom i vlažnom krpicom. Za čišćenje kontrolnog panela nemojte koristiti detergente, abrazivna sredstva ili spraj za čišćenje.
9. Ako se vodena para skuplja unutar pećnice ili oko vrata za pećnicu, brišite je mekom krpicom. Ovakva situacija se može dogoditi, kad pećnica radi u uslovima povećane vlažnosti i nema nikakvih simptoma kvara uređaja.
10. Čistite periodično stakleni okretni tanjir u toploj, prokuhanoj vodi ili u mašini za pranje sudova.
11. Da bi se spriječila prekomjerna buka tokom rada pećnice, redovno čistite okretni prsten i donju stranu unutrašnjosti pećnice. Za ovo se može koristiti blagi detergent, voda ili sredstvo za pranje prozora. Okretni prsten se može oprati u mlakoj vodi ili u mašini za pranje sudova. Nakon završetka pranja okretnog prstena treba se uvjeriti da je prsten odgovarajuće postavljen na mjesto na kojem se nalazio prije demontaže radi pranja.
12. Tokom kuhanja može se skupljati vodena para od kuhane hrane ili tečnosti. Ovo ipak ne utječe na površinu unutrašnjosti mikrovalne pećnice i točka okretnog prstena.
13. U cilju da se otkloni miris koji ostaje posle kuhanja, stavite unutar pećnice posudu (koja se smije koristiti u mikrovalnoj pećnici) sa mješavinom vode i soka od limuna ili vode i kore od limuna. Poslije toga zagrevajte ovu mješavinu 5 minuta, zatim obrišite unutrašnjost pećnice mekom krpicom.
14. **UPOZORENJE:** Uređaj se ne može čistiti parnim čistačem

TEHNIČKI PODACI:

Napon napajanja: 230-240V ~50Hz

Max snaga: 1100W

Snaga mikrovalova: 700W

Frekvencija: 2450 MHz

Kapacitet pećnice: 20 litara



Brinući za okoliš.

Molimo Vas da kartonska pakovanja odnesete u otkup otpadnog papira. Polietilenske džakove (PE) bacajte u kontejner za plastiku. Iskorišćen uređaj treba odneti na odgovarajuću deponiju, jer opasni sastojci koji se u njemu nalaze, mogu biti opasni za okoliš. Električni uređaj treba odneti na način, koji ograničava njegovu ponovnu upotrebu i korištenje. Ako se u uređaju nalaze baterije, treba ih izvaditi i odvojeno predati na deponiju.

Uređaj se ne smije baciti u kontejner za komunalni otpad!!

ÁLTALÁNOS BIZTONSÁGI FELTÉTELEK
FONTOS UTASÍTÁSOK A FELHASZNÁLÁSI BIZTONSÁGRA VONATKOZÓ
KÉSZÜLÉKEKRE VONATKOZNI KÉSZÜLJÜK ÉS KÖVETKEZŐK A JÖVŐBEN!

1. A készülék első használata előtt olvassa el a használati utasítást és kövesse az abban foglalt utasításokat. A gyártó nem vállal felelősséget a készüléknek a tervezett céloktól eltérő használata vagy a készülék helytelen használata által okozott károkért.
2. A készülék csak háztartási használatra szolgál. Ne használjon más célokra, mint a tervezett.
3. A készüléket csak 230-240V ~50Hz-es földelő aljzathoz szabad csatlakoztatni. A biztonság növelése érdekében ne csatlakoztasson egyszerre több elektromos eszközt egy áramkörbe.
4. Különös figyelmet kell fordítani a készülék használatakor, ha a közelben gyermekek vannak. Ne engedje, hogy a gyerekek játszhassanak a készülékkel. Ne engedje, hogy a készüléket használó gyermekek vagy személyek ne működhessenek.
- 5. FIGYELMEZTETÉS: Ezt a készüléket 8 évesnél idősebb gyermekek és csökkent fizikai, érzékszervi vagy mentális képességű személyek, vagy az eszköz nélküli tapasztalattal vagy ismeretekkel rendelkező személyek használhatják, csak a biztonságáért felelős személy felügyelete alatt, vagy ha utasítást kaptak a készülék biztonságos használatáról, és tisztában vannak a működésével kapcsolatos veszélyekkel. A gyerekek nem játszhatnak a készülékkel. A készülék tisztítását és karbantartását nem szabad végezni gyermekek, kivéve, ha 8 évesnél idősebbek, és ezek a tevékenységek felügyelet mellett zajlanak.**
6. Használat után mindig húzza ki a dugót a konnektorból úgy, hogy a kivezetést a kezével tartja. NE húzza a tápkábelt.
7. Ne hagyja felügyelet nélkül a készüléket az aljzathoz csatlakoztatva.
8. Ne merítse a kábelt, a dugót és az egész eszközt vízbe vagy más folyadékba. Ne tegye ki a készüléket légköri körülményeknek (például eső, nap stb.), És ne használjon nagy páratartalmú (a fürdőszobában, a nedves nyári házakban).
9. Rendszeresen ellenőrizze a tápkábel állapotát. Ha a tápkábel sérült, a veszély elkerülése érdekében cserélje ki a szakszervizben.
10. Ne használja a készüléket sérült tápkábellel, vagy ha leesett vagy megsérült, vagy nem működik megfelelően. Ne javítsa a készüléket, mert fennáll az áramütés veszélye. Hagyja a sérült eszközt a megfelelő szervizközpontban ellenőrizni vagy javítani. Csak az engedélyezett szervizközpontok kijavíthatják a károkat. A helytelen javítás komoly kockázatot jelenthet a felhasználó számára.
11. A készüléket hűvös, stabil, vízszintes felületen kell elhelyezni, távol a konyhai készülékek, például elektromos tűzhelyek, gázégők stb.
12. Ne használja a készüléket gyúlékony anyagok közelében.
13. A tápkábel nem lóghat az asztal szélén vagy érintse meg a forró felületeket.
14. Tisztítás előtt vagy használat után távolítsa el a dugót a konnektorból a

kézi beszélővel. NE húzza a tápkábel.

15. Ne használja a mikrohullámú sütőt a forgótányér és a helyes helyzetbe helyezett forgótányér-tartó nélkül.

16. Csak a mikrohullámú sütőt használja az étel elkészítéséhez. Ne használja a mikrohullámú sütőt ruházat, papír vagy más nem élelmiszeripari termékek szárítására. Ne használja a mikrohullámú sütőt sterilizálás céljából.

17. Soha ne használja üresen a mikrohullámú sütőt, mert ez károsíthatja a készüléket.

18. Ne használja a mikrohullámú sütő belsejét semmilyen termék, például papír, könyv stb. Tárolásához.

19. A vastag bőrű élelmiszereket, mint például a burgonyát, az almát vagy a gesztenyét, a főzés előtt többször át kell átszűrni.

20. Ne helyezzen semmilyen tárgyat a ház nyílásaiba.

21. Soha ne távolítsa el a mikrohullámú sütő bármely részét. **VIGYÁZAT:** Ne távolítsa el a fedelet. A mikrohullámú sugárzás és a nagyfeszültség forrásai.

22. Soha ne főzzön közvetlenül a forgótányéron. Az ételt mindig mikrohullámú, biztonságos edénybe helyezze.

23. Csak mikrohullámú sütőt használjon.

24. Tartson legalább 30 cm szabad helyet a mikrohullámú sütő felső felülete felett.

25. Ne sütjük az ételt a mikrohullámú sütőben. A forró olaj károsíthatja a mikrohullámú sütő és az edény részeit, és károsíthatja a bőrt.

26. **FIGYELMEZTETÉS:** A tartályban felmelegített folyadék nagyon forró, még akkor is, ha a tartály nem forró a sütés befejezése után, és a mikrohullámú sütőből való eltávolítás után.

27. Az italok mikrohullámú sütőben történő fűtése késleltetett robbanásveszélyt okozhat - legyen óvatos a tartály kezelésénél.

28. Az égési sérülések elkerülése érdekében keverjük össze, vagy rázzuk össze a gyermek tápláló palackok és a csecsemőkorongok tartalmát, majd ellenőrizzük a hőmérsékletet az adagolás előtt.

29. Ha füstöt fordít, kapcsolja ki a mikrohullámú sütőt, vegye ki a dugót a konnektorból, és hagyja az ajtót zárva, hogy elfojtsa a lángokat.

30. Az edények felmelegedhetnek a fűtött ételből származó hő következtében, amely átviszi az edénybe. Használjon megfelelő védelmet az edények szállítása során.

31. A mikrohullámú sütőben lévő tűz valószínűségének csökkentése érdekében kövesse az alábbi szabályokat:

a. hosszabb ideig ne főzzön papírt, műanyagot vagy más gyúlékony anyagokat tartalmazó edényben

b. távolítsa el az összes fém elemet a csomagolásból, mielőtt elhelyezné őket a mikrohullámú sütőben

c. az élelmiszer műanyag vagy papír tárolóedényekben történő fűtésekor gyakran ellenőrizze a mikrohullámú sütőt, mert a tartály meggyullad

32. **FIGYELMEZTETÉS:** Ha az ajtó vagy a tömítés sérült, a mikrohullámú sütőt csak akkor szabad használni, ha azt szakképzett személy javítja.

33. **FIGYELMEZTETÉS:** Bármilyen szerviz- vagy javítási tevékenység, amely magában

foglalja a fedél árnyékolásának eltávolítását a mikrohullámú energia ellen, veszélyes, és azt szakképzett személyek végezzék.

34. FIGYELMEZTETÉS: A folyadékokat és más élelmiszereket nem szabad lezárt tartályokban melegíteni, mert felrobbanhatnak.

35. A mikrohullámú sütő önálló használatra készült. Ne helyezze a mikrohullámú sütőt szekrénybe.

36. Javasoljuk a mikrohullámú sütő rendszeres tisztítását és az élelmiszermaradék eltávolítását.

37. Ha a mikrohullámú sütőt nem tisztán tartják, a felület romlik, ami hátrányosan befolyásolhatja a mikrohullámú sütő tartósságát, és ezáltal veszélyes helyzetekhez vezethet.

A mikrohullámú sütő belsejét tisztán kell tartani. Abban az esetben, ha a mikrohullámú sütő belső falai szennyeződnek, vegyük le az élelmiszer-részecskéket vagy a folyadékfoltokat nedves ruhával.

38. A nehéz szennyeződések esetén enyhe mosószert használjon. Ne használjon csiszolóanyagot tartalmazó tisztítószereket.

39. Ne használjon tisztítószereket spray formában vagy más erős tisztítószerben, mivel ezek a mikrohullámú sütő és az ajtó felületét foltolhatják, csíkolhatják vagy tompítják.

40. A mikrohullámú sütő külső felületét nedves ruhával kell tisztítani. A mikrohullámú sütő belsejében lévő alkatrészek károsodásának elkerülése érdekében győződjön meg róla, hogy a belsejében lévő szellőzőnyílásokon nem folyik víz.

41. Az ajtó, az ablak, az ajtótmítés és a szomszédos részek mindkét oldalát rendszeresen nedves ruhával törölje le, hogy eltávolítsa az élelmiszermaradványokat vagy a kiömlött folyadékokat.

42. Ne engedje, hogy a kezelőpanel nedves legyen. Tisztítsa meg puha, nedves ruhával. Ne használjon tisztítószereket, csiszolóanyagokat vagy tisztító spray-eket a kezelőpanel tisztításához.

43. Ha a vízgőz a mikrohullámú sütőben vagy az ajtó körül gyűlik össze, puha ruhával törölje le. Ez akkor fordulhat elő, ha a mikrohullámú sütőt magas páratartalmú körülmények között működtetik, és ha nincsenek jelei a készülékben.

44. Rendszeresen tisztítsa meg az üveglappal meleg, forralt vízben vagy a mosogatógépben.

45. Ne melegítse a tojást a mikrohullámú sütőben lévő héjban vagy egészben főtt tojásban. A mikrohullámú sütőben való melegítés után is felrobbanhatnak.



46. Ne érintse meg a mikrohullámú sütő forró felületét (az ajtó, a felső vagy az alsó fal és az oldalsó falak). Használjon védőkesztyűt a forró elemek eltávolításakor vagy megérintésekor.

47. További védelem biztosítása érdekében ajánlott a maradékáram-berendezést (RCD) telepíteni az áramkörbe, a maradékáram nem haladhatja meg a 30 mA-t. Ebben a kérdésben forduljon szakemberhez.

48. FIGYELMEZTETÉS: Csak akkor engedje meg, hogy a gyerekek felügyelet nélkül használják a sütőt, ha megfelelő utasításokat adtak nekik, hogy biztonságosan

használhassák a sütőt és tisztában legyenek a nem megfelelő használatból eredő veszélyekkel.

49. Az élelmiszerek és italok fémtartályai nem használhatók mikrohullámú sütőben.

A KÉSZÜLÉK LEÍRÁSA (1. ábra)

1. Ajtózár
2. Mikrohullámú sütő ablak
3. Lemezjátszó-készlet
4. Az ajtó kinyitása
5. Vezérlőpult
6. Üveglemez

VEZÉRLŐPANEL (2. ábra)

- 2.1. Időzítő 0-30 perc
- 2.2. Gomb a teljesítményszint beállításához

I: alacsony teljesítmény - 20%

II: alacsony közepes teljesítmény - 52%

III: közepes teljesítmény - 73%

IIII: közepes nagy teljesítmény - 88%

IIIII: nagy teljesítmény - 100%

☼: leolvasztás - 42%

AZ ELSŐ HASZNÁLAT ELŐTT

1. Győződjön meg róla, hogy az összes csomagolás eltávolításra került a mikrohullámú sütő belsejéből.
2. Ellenőrizze, hogy nincsenek-e károsodás jelei, például hajlított vagy elcsavarodott ajtó, sérült ajtótümitések, sérült érintkezőfelület, repedt vagy laza ajtó zsanérok és reteszek, sülyesztés a mikrohullámú sütőben vagy az ajtóban. Sérülés esetén ne használja a készüléket, és forduljon a szervizhez.
3. Ne tegye ki a mikrohullámú sütőt magas hőmérsékletnek vagy páratartalomnak, és ne tegyen közeli gyúlékony anyagokat.
4. Helyezze a mikrohullámú sütőt egy lapos, stabil felületre, amely ellenáll a súlyának.
5. Ne tegyen semmit a mikrohullámú sütő tetejére, ne takarja el, vagy ne takarja le a szellőzőnyílásokat.
6. Ne távolítsa el a forgótányér tengelyét.
7. A gyermekbiztonság érdekében a készüléket soha ne hagyja felügyelet nélkül a működés közben.

A KÉSZÜLÉK HASZNÁLATA

1. Miután az ételt megfelelő edénybe helyezte a mikrohullámú sütő belsejében lévő üveglappal. Zárja be a mikrohullámú sütő ajtaját, állítsa be a kívánt teljesítményszintet (ábra 2.2) és a főzési időt az időzítőn (ábra 2.1).

FIGYELMEZTETÉS: A MIKROHULLÁMÚ FELSZERELÉS AZ IDŐ BEÁLLÍTÁSÁN KÖVETKEZŐ TÁMOGATÁSÁNAK MEGHATÁROZÁSA.

2. Ha a kívánt főzési idő kevesebb, mint 5 perc, először fordítsa el az időzítőgombot az 5 perces vonalon kívül, majd fordítsa vissza az időzítőgombot a megfelelő idő beállításához.
3. Ha az ételt a beállított programidő letelte előtt eltávolították a mikrohullámú sütőből, MINDIG forduljon a nullpontra.
4. A mikrohullámú sütő leállításához fordítsa az időzítőgombot nulla helyzetbe. Ha a mikrohullámú sütő ajtaja nyitva van a főzési folyamat során, a mikrohullámú sütő automatikusan leáll. Az ajtó újbóli bezárása automatikusan újraindítja a mikrohullámú sütőt az előző beállítások szerint. Ha az időzítő hátralévő ideje nem szükséges, fordítsa vissza az időzítőgombot a nulla helyzetbe.

FIGYELMEZTETÉS: A MIKROHULLÁM KÜLSŐ KEZELÉSE EGYÉB ÉLELMISZERBEN INGYENES Károsíthatja a készüléket.

TISZTÍTÁS ÉS KARBANTARTÁS

1. A mikrohullámú sütőt rendszeresen tisztítsa meg, és az élelmiszermaradékokat rendszeresen távolítsa el. Ha a mikrohullámú sütőt tisztítatlanul hagyja, károsíthatja a felületet, ami viszont hátrányosan befolyásolhatja a készülék élettartamát és veszélyes helyzetekhez vezethet.
2. A tisztítás előtt kapcsolja ki a mikrohullámú sütőt, és vegye ki a dugót a foglalatból.
3. A mikrohullámú sütő belsejét tisztán kell tartani. Abban az esetben, ha a mikrohullámú sütő belső falai szennyeződnek, vegyük le az élelmiszer-részecskéket vagy a folyadékfoltokat nedves ruhával.
7. Az ajtó, az ablak, az ajtótümités és a szomszédos részek mindkét rendszeresen nedves ronggyal törölje le, hogy eltávolítsa az élelmiszermaradványokat vagy a kiömlött folyadékot.
8. Ne engedje, hogy a kezelőpanel nedves legyen. Tisztítsa meg puha, nedves ruhával. Ne használjon tisztítószereket, csiszolóanyagokat vagy tisztító spray-eket a kezelőpanel tisztításához.

9. Ha a vízgőz a mikrohullámú sütőben vagy az ajtó körül gyűlik össze, puha ruhával törölje le. Ez akkor fordulhat elő, ha a mikrohullámú sütőt magas páratartalmú körülmények között működtetik, és ha nincsenek jelei a készülékben.
10. Rendszeresen tisztítsa meg az üveglappal meleg, forralt vízben vagy a mosogatógépben.
11. A mikrohullámú sütő működése közben a túlzott zaj elkerülése érdekében rendszeresen tisztítsa meg a forgótányér támasztékát és a mikrohullámú sütő belsejének alapját. Ehhez enyhe tisztítószer, vizet vagy ablaktisztítót használhat. A forgótányér támasztja mosható langyos vízben vagy mosogatógépben. A forgótányér-tartó tisztítása után győződjön meg arról, hogy helyesen van-e felszerelve a tisztítás előtt.
12. A főzés során a főzött ételekből vagy folyadékokból származó gőz gyűlhet. Ez azonban nem befolyásolja a mikrohullámú sütő belső felületét és a forgótányér-tartó gyűrűt.
13. A maradék szagok eltávolítása után a mikrohullámú sütőben helyezze el a víz és a citromlé vagy a víz és a citromhéj keverékét egy mikrohullámú sütőben. Az elegyet 5 percig melegítjük, majd puha ruhával töröljük le a mikrohullámú sütő belsejét.
14. FIGYELMEZTETÉS: A készülék nem tisztítható gőz-porszívóval

MŰSZAKI ADATOK:

Áramforrás: 230-240V ~50Hz

Maximális teljesítmény: 1100 W

Mikrohullámú teljesítmény: 700 W

Gyakoriság: 2450 MHz

A mikrohullámú sütő kapacitása: 20 liter



Törődünk a természeti környezetért. Papír csomagokat kérünk adjanak át a papírhulladéka. Polietilén zacskókat (PE) dobjanak ki a műanyag tartályba. Kimerült gépe vissza kell adni a megfelelő tároló pontjához, mert a gépben levők veszélyes részek, veszedelmesekek lehet a környezetnek. Az elektromos gép így kell visszaadni, hogy korlátozzon a re-használatát. Ha az elemek vannak a gépben, ki kell húzni ezeket és a visszakeladni külön tároló pontjához.

ROMÂNĂ

CONDIȚII GENERALE DE SIGURANȚĂ

INSTRUCȚIUNI IMPORTANTE PRIVIND SIGURANȚA DE UTILIZARE Vă rugăm să citiți cu atenție și să păstrați-vă pentru REFERINȚĂ VIITOARE

1. Înainte de prima utilizare a dispozitivului, citiți manualul de instrucțiuni și urmați instrucțiunile conținute în acesta. Producătorul nu este responsabil pentru daunele cauzate de utilizarea dispozitivului în alte scopuri decât cele intenționate sau prin utilizarea incorectă a dispozitivului.
2. Dispozitivul este destinat exclusiv uz casnic. Nu utilizați în alte scopuri decât cele intenționate.
3. Dispozitivul trebuie conectat la o priză de împământare de 230-240V ~50Hz. Pentru a crește siguranța, nu conectați simultan mai multe dispozitive electrice într-un circuit de alimentare.
4. Acordați o atenție specială atunci când utilizați dispozitivul dacă există copii în apropiere. Nu permiteți copiilor să se joace cu dispozitivul. Nu permiteți copiilor sau persoanelor care nu cunosc aparatul să o folosească.
5. **AVERTISMENT: Acest aparat poate fi utilizat de către copiii cu vârsta peste 8 ani și persoanelor cu capacități reduse fizice, senzoriale sau mentale sau persoanelor fără experiență sau cunoaștere a dispozitivului, numai sub supravegherea unei persoane responsabile de siguranța acestora sau dacă au fost instruiți cu privire la utilizarea în siguranță a dispozitivului și sunt conștienți de pericolele asociate cu funcționarea acestuia. Copiii nu ar trebui să se joace cu dispozitivul. Curățarea și întreținerea dispozitivului nu trebuie efectuate de copii, cu excepția cazului în care au vârsta de peste 8 ani și aceste activități sunt efectuate sub supraveghere.**
6. După utilizare, scoateți întotdeauna ștecărul de la priză ținând priza cu mâna. NU trageți

de cablul de alimentare.

7. Nu lăsați dispozitivul conectat la priză fără supraveghere.

8. Nu scufundați cablul, ștecherul și dispozitivul întreg în apă sau alte lichide. Nu expuneți dispozitivul la condiții atmosferice (de ex. Ploaie, soare etc.) sau îl utilizați la umiditate ridicată (în baie, case de vară umede).

9. Verificați periodic starea cablului de alimentare. Dacă cablul de alimentare este deteriorat, acesta trebuie înlocuit la o priză de reparații specializate pentru a evita pericolul.

10. Nu utilizați dispozitivul cu un cablu de alimentare deteriorat sau dacă a fost scăpat sau deteriorat în vreun fel sau nu funcționează corect. Nu reparați singur dispozitivul, deoarece există riscul de electrocutare. Lăsați aparatul deteriorat la centrul de service corespunzător pentru a fi verificat sau reparat. Numai centrele de service autorizate pot repara daunele. Remedierea necorespunzătoare poate provoca un risc serios pentru utilizator.

11. Dispozitivul trebuie amplasat pe o suprafață rece, stabilă, la distanță, departe de aparatele de bucătărie de încălzire, cum ar fi aragazuri electrice, arzătoare cu gaz etc.

12. Nu utilizați dispozitivul în apropierea materialelor inflamabile.

13. Cablul de alimentare nu trebuie să stea peste marginea unei mese sau să atingă suprafețele fierbinți.

14. Înainte de curățare sau după utilizare, scoateți ștecherul de la priza de curent prin menținerea prizei cu mâna. NU trageți de cablul de alimentare.

15. Nu utilizați cuptorul cu microunde fără suportul platoului și suportul pentru plăcuța turnantă în poziția corectă.

16. Utilizați cuptorul cu microunde numai pentru prepararea alimentelor. Nu utilizați cuptorul cu microunde pentru a usca îmbrăcăminte, hârtie sau alte articole nealimentare. Nu utilizați cuptorul cu microunde pentru sterilizare.

17. Nu folosiți niciodată cuptorul cu microunde gol, deoarece acest lucru poate deteriora dispozitivul.

18. Nu folosiți interiorul cuptorului cu microunde pentru a stoca produse, cum ar fi hârtie, cărți etc.

19. Produsele alimentare cu piele groasă, cum ar fi cartofii, merele sau castanele, trebuie perforate de mai multe ori înainte de gătire.

20. Nu așezați obiecte în orificiile din carcasă.

21. Nu îndepărtați niciodată componentele cuptorului cu microunde. **ATENȚIE:** Nu scoateți capacul. Sursa de radiații cu microunde și de înaltă tensiune.

22. Nu gătiți niciodată direct pe platan. Plasați întotdeauna mâncarea într-un vas cu microunde.

23. Folosiți numai vase cu microunde.

24. Păstrați un minim de 30 cm de spațiu liber deasupra suprafeței superioare a cuptorului cu microunde.

25. Nu hrăniți alimentele în cuptorul cu microunde. Uleiul fierbinte poate deteriora părțile cuptorului cu microunde și vasului și vă poate deteriora pielea.

26. **ATENȚIE:** Lichidul încălzit într-un recipient este foarte fierbinte chiar dacă recipientul nu este fierbinte la atingere după finalizarea gătirii și scoaterea din cuptorul cu microunde.

27. Încălzirea băuturilor într-un cuptor cu microunde poate cauza fierbere întârziată cu explozie - aveți grijă când manipulați recipientul.
28. Pentru a evita arsurile amestecați sau agitați conținutul flacoanelor de hrană pentru copii și borcane de alimente pentru copii, apoi verificați temperatura înainte de servire.
29. Dacă observați fumul, opriți cuptorul cu microunde, scoateți ștecherul din priză și lăsați ușa închisă pentru a înăbuși flăcările.
30. Vasele se pot încălzi ca urmare a căldurii din alimentele încălzite care se transferă în vas. Folosiți o protecție adecvată atunci când purtați vasele.
31. Pentru a reduce probabilitatea de incendiu în cuptorul cu microunde, respectați următoarele reguli:
- A. nu gătiți alimentele în recipiente fabricate din hârtie, plastic sau alte materiale inflamabile pentru o perioadă lungă de timp
 - b. îndepărtați toate elementele metalice de pe ambalaj înainte de a le introduce în cuptorul cu microunde
 - c. atunci când încălziți alimentele în recipiente din plastic sau de hârtie, verificați frecvent cuptorul cu microunde datorită posibilității ca recipientul să prindă foc
32. AVERTISMENT: Dacă ușa sau sigiliul acesteia sunt deteriorate, cuptorul cu microunde nu poate fi utilizat decât după ce a fost reparat de o persoană calificată.
33. ATENȚIE: Orice activitate de service sau de reparații care implică scoaterea capacului de protecție împotriva energiei cu microunde este periculoasă și trebuie efectuată de persoane calificate.
34. AVERTIZARE: Lichidele și alte alimente nu trebuie încălzite în recipiente sigilate deoarece ar putea exploda.
35. Cuptorul cu microunde este destinat utilizării în mod autonom. Nu așezați cuptorul cu microunde într-un dulap.
36. Se recomandă curățarea regulată a cuptorului cu microunde și îndepărtarea reziduurilor alimentare.
37. Nerespectarea curățeniei cuptorului cu microunde poate duce la deteriorarea suprafeței, ceea ce poate afecta negativ durabilitatea cuptorului cu microunde și poate duce la situații periculoase.
- Interiorul cuptorului cu microunde trebuie păstrat curat. În caz de murdărire a pereților interiori ai cuptorului cu microunde, îndepărtați particulele alimentare sau scurgeri de lichide cu o cârpă umedă.
38. Pentru murdăria puternică folosiți un detergent slab. Nu utilizați agenți de curățare care conțin materiale abrazive.
39. Nu utilizați agenți de curățare sub formă de pulverizare sau alți agenți de curățare puternici, deoarece acestea pot pătrunde, curăța sau sclipi suprafața cuptorului cu microunde și a ușii.
40. Suprafața exterioară a cuptorului cu microunde trebuie curățată cu o cârpă umedă. Pentru a evita deteriorarea componentelor din interiorul cuptorului cu microunde, asigurați-vă că nu se scurge apă prin orificiile de ventilație din interior.
41. Ambele fețe ale ușii, ferestrei, etanșării ușilor și ale părților adiacente trebuie șterse în

mod regulat cu o cârpă umedă pentru a îndepărta reziduurile alimentare sau lichidele vărsate.

42. Nu lăsați panoul de control să se ude. Curățați-l cu o cârpă moale și umedă. Nu utilizați detergenți, abrazivi sau spray-uri de curățare pentru a curăța panoul de control.

43. Dacă vaporii de apă se colectează în interiorul cuptorului cu microunde sau în jurul ușii, ștergeți-l cu o cârpă moale. Acest lucru se poate întâmpla când cuptorul cu microunde funcționează în condiții de umiditate ridicată și când nu există semne de defecțiune a dispozitivului.

44. Curățați periodic grătarul din sticlă în apă caldă, fiartă sau în mașina de spălat vase.

45. Nu încălzi ouăle în cochilii sau ouăle întregi fierte în cuptorul cu microunde. Acestea pot exploda chiar și după terminarea încălzirii în cuptorul cu microunde.

46. Nu atingeți suprafețele fierbinți ale cuptorului cu microunde (ușa,



peretele de sus sau de jos, pereții laterali). Utilizați mănuși de protecție atunci când îndepărtați sau atingeți orice element fierbinte.

47. Pentru a asigura o protecție suplimentară, se recomandă instalarea dispozitivului de reziduuri de curent (RCD) în circuitul de alimentare cu o valoare a curentului rezidual de cel mult 30 mA. Contactați un electrician profesionist în această problemă.

48. **ATENȚIE:** Doar permiteți copiilor să folosească cuptorul fără supraveghere atunci când le-au fost acordate instrucțiuni adecvate, astfel încât să poată folosi cuptorul în siguranță și să fie conștienți de pericolele care rezultă din utilizarea necorespunzătoare.

49. Containerele metalice pentru alimente și băuturi nu pot fi utilizate într-un cuptor cu microunde.

DESCRIEREA DISPOZITIVULUI (Figura 1)

1. Blocarea ușii
2. Fereastra cuptorului cu microunde
3. Set de suport pentru tablete
4. Deschiderea ușii
5. Panoul de control
6. Placă turnantă din sticlă

Panoul de control (figura 2)

- 2.1. Timer 0-30 minute
 - 2.2. Buton pentru reglarea nivelului de putere
- I: putere redusă - 20%
- II: putere redusă medie - 52%
- III: putere medie - 73%
- IIII: putere medie-mare - 88%
- IIIII: putere mare - 100%
- ☼ dezghețare - 42%

ÎNAINTE DE PRIMA UTILIZARE

1. Asigurați-vă că toate ambalajele au fost scoase din interiorul cuptorului cu microunde.
2. Verificați dacă nu există semne de deteriorare, cum ar fi o ușă îndoită sau îndoită, garnituri de ușă deteriorate, suprafețe de contact deteriorate, balamale și cârlige de ușă crăpate sau desprinse, dentate în cuptorul cu microunde sau în ușă. În caz de deteriorare, nu utilizați dispozitivul și contactați departamentul de service.
3. Nu expuneți cuptorul la temperaturi ridicate sau umiditate și nu așezați materiale inflamabile din apropiere.
4. Setați cuptorul cu microunde pe o suprafață plană și stabilă, care va rezista la greutatea sa.
5. Nu așezați nimic pe cuptorul cu microunde sau nu acoperiți orificiile de ventilație.
6. Nu scoateți arborele platan.
7. În scopul asigurării siguranței copiilor, nu lăsați niciodată aparatul nesupravegheat în timpul funcționării.

UTILIZAREA DISPOZITIVULUI

1. După introducerea hranei într-o farfurie corespunzătoare pe platoul de sticlă din interiorul cuptorului cu microunde. Închideți ușa cuptorului cu microunde, setați nivelul de putere dorit (Fig.2.2) și timpul de gătire pe cronometru (Fig.2.1).
 2. Dacă timpul de gătire dorit este mai mic de 5 minute, rotiți mai întâi butonul temporizatorului în afara liniei de 5 minute, apoi rotiți butonul timerului înapoi pentru a seta ora corespunzătoare.
 3. Dacă mâncarea a fost scoasă din cuptorul cu microunde înainte de trecerea timpului programat, **ÎNȚELEGIȚI ÎNTOTDEAUNA ÎNCĂLZIREA ÎN POZIȚIA ZERO.**
 4. Pentru a opri cuptorul cu microunde, rotiți butonul cronometrului în poziția zero. Dacă ușa cuptorului cu microunde este deschisă în timpul procesului de gătire, cuptorul cu microunde se va opri automat. Reinchiderea ușii va reporni automat cuptorul cu microunde conform setărilor anterioare. Dacă timpul rămas al temporizatorului nu este necesar, rotiți butonul temporizatorului în poziția zero.
- ATENȚIE: FUNCȚIONAREA FURTUNULUI CU MICROUNDĂ FĂRĂ ORICE ALIMENTARE ÎN INTERIOR POATE COPIRE DISPOZITIVULUI.**

CURATENIE SI MENTENANTA

1. Cuptorul cu microunde trebuie să fie curățat în mod regulat și reziduurile de alimente trebuie îndepărtate în mod regulat. Lăsarea cuptorului cu microunde necurățat poate cauza deteriorarea suprafeței, ceea ce poate afecta negativ durata de viață a dispozitivului și poate duce la situații periculoase.
2. Înainte de curățare, opriți cuptorul cu microunde și scoateți ștecherul din priză.
3. Interiorul cuptorului cu microunde trebuie păstrat curat. În caz de murdărire a pereților interiori ai cuptorului cu microunde, îndepărtați particulele alimentare sau scurgeri de lichide cu o cârpă umedă.
4. Pentru murdăria puternică folosiți un detergent slab. Nu utilizați agenți de curățare care conțin materiale abrazive.
5. Nu utilizați agenți de curățare sub formă de pulverizare sau alți agenți de curățare puternici, deoarece acestea pot pata, curăța sau sclipi suprafața cuptorului cu microunde și a ușii.
6. Suprafața exterioară a cuptorului cu microunde trebuie curățată cu o cârpă umedă. Pentru a evita deteriorarea componentelor din interiorul cuptorului cu microunde, asigurați-vă că nu se scurge apă prin orificiile de ventilație din interior.
7. Ambele fețe ale ușii, ferestrei, sigiliului ușii și părților adiacente trebuie șterse în mod regulat cu o cârpă umedă pentru a îndepărta orice reziduu alimentar sau lichide vărsate.
8. Nu lăsați panoul de control să se ude. Curățați-l cu o cârpă moale și umedă. Nu utilizați detergenți, abrazivi sau spray-uri de curățare pentru a curăța panoul de control.
9. Dacă vaporii de apă se colectează în interiorul cuptorului cu microunde sau în jurul ușii, ștergeți-l cu o cârpă moale. Acest lucru se poate întâmpla când cuptorul cu microunde funcționează în condiții de umiditate ridicată și când nu există semne de defecțiune a dispozitivului.
10. Curățați periodic placa turnantă din sticlă în apă caldă, fiartă sau în mașina de spălat vase.
11. Pentru a evita zgomotul excesiv în timpul funcționării cuptorului cu microunde, curățați în mod regulat suportul mesei rotunde și baza interioară a cuptorului cu microunde. Pentru aceasta puteți utiliza un detergent ușor, apă sau curățare pentru ferestre. Suportul de grătare poate fi spălat în apă caldă sau în mașină de spălat vase. După curățarea suportului de grătare, asigurați-vă că acesta a fost montat corect acolo unde a fost înainte de îndepărtarea pentru curățare.
12. În timpul gătitului se pot colecta vapori din alimente sau lichide gătite. Cu toate acestea, acest lucru nu afectează suprafața interioară a cuptorului cu microunde și inelul de susținere al mesei rotunde.
13. Pentru a îndepărta orice miros rezidual după gătit, așezați un amestec de apă și suc de lămâie sau apă și coaja de lămâie într-un vas cu microunde în interiorul cuptorului cu microunde. Încălziți acest amestec timp de 5 minute, apoi ștergeți interiorul cuptorului cu microunde cu o cârpă moale.
14. **AVERTISMENT:** Aparatul nu poate fi curățat cu ajutorul unui aspirator cu aburi

DATE TEHNICE:

- Sursă de alimentare: 230-240V ~50 Hz
Putere maximă: 1100W
Putere cu microunde: 700W
Frecvența: 2450 MHz
Capacitatea cuptorului cu microunde: 20 litri



Din grija pentru mediul înconjurător. Ambalajele din carton vă rugăm să le transmiteți la centrele de maculatură.

Sacii din polietilenă (PE) trebuie aruncați în recipientele pentru materialele plastice. Dispozitivul uzat trebuie transmis la punctul corespunzător de depozitare, deoarece componentele periculoase care se găsesc în dispozitiv pot fi foarte periculoase pentru mediul înconjurător.

Dispozitivul electric trebuie transmis în așa fel încât să se limiteze utilizarea lui repetată. Dacă în dispozitiv se găsesc baterii acestea trebuie scoase și transmise către punctul de depozitare a acestora, separat.

ОБЩИЕ УСЛОВИЯ БЕЗОПАСНОСТИ

ВАЖНЫЕ ИНСТРУКЦИИ ПО БЕЗОПАСНОСТИ ИСПОЛЬЗОВАНИЯ ПОЖАЛУЙСТА, ВНИМАТЕЛЬНО ПРОЧИТАЙТЕ И СОХРАНИТЕ БУДУЩЕЕ НАЗНАЧЕНИЕ

1. Перед первым использованием устройства, пожалуйста, прочитайте инструкцию по эксплуатации и следуйте инструкциям, содержащимся в нем. Производитель не несет ответственности за ущерб, вызванный использованием устройства в целях, отличных от предназначенных, или неправильным использованием устройства.
2. Устройство предназначено только для домашнего использования. Не используйте для других целей, чем те, которые предназначены.
3. Устройство должно быть подключено только к заземляющей розетке 230-240В ~50Гц.

Для повышения безопасности не подключайте одновременно несколько электрических устройств к одной цепи питания.

4. Обратите особое внимание при использовании устройства, если рядом есть дети. Не позволяйте детям играть с устройством. Не позволяйте детям или лицам, незнакомым с устройством, эксплуатировать его.

5. ПРЕДУПРЕЖДЕНИЕ. Данное устройство может использоваться детьми старше 8 лет и лицами с ограниченными физическими, сенсорными или умственными способностями или лицами, не имеющими опыта или знаний об устройстве, только под наблюдением лица, ответственного за их безопасность, или если они были проинструктированы о безопасном использовании устройства и знают об опасностях, связанных с его эксплуатацией. Дети не должны играть с устройством. Чистка и техническое обслуживание устройства не должны выполняться детьми, за исключением случаев, когда им исполнилось 8 лет, и эти действия выполняются под наблюдением.

6. После использования всегда вынимайте вилку из розетки, держа ее за руку. НЕ тяните за шнур питания.
7. Не оставляйте устройство, подключенное к розетке, без присмотра.
8. Не погружайте кабель, вилку и все устройство в воду или другие жидкости. Не подвергайте устройство воздействию атмосферных условий (например, дождя, солнца и т. Д.) И не используйте его в условиях повышенной влажности (в ванной комнате, на влажных летних домиках).
9. Регулярно проверяйте состояние шнура питания. Если шнур питания поврежден, его следует заменить в специализированной ремонтной розетке, чтобы избежать опасности.

10. Не используйте устройство с поврежденным шнуром питания, если оно упало или каким-либо образом повреждено или не работает должным образом. Не ремонтируйте устройство самостоятельно, так как существует риск поражения электрическим током. Оставьте поврежденное устройство в соответствующем

сервисном центре для проверки или ремонта. Только авторизованные сервисные центры могут ремонтировать любые повреждения. Неправильный ремонт может привести к серьезному риску для пользователя.

11. Устройство следует размещать на прохладной, устойчивой, ровной поверхности, вдали от нагревательных приборов, таких как электрические плиты, газовые горелки и т. Д.

12. Не используйте устройство рядом с легковоспламеняющимися материалами.

13. Шнур питания не должен свисать с края стола или касаться горячих поверхностей.

14. Перед чисткой или после использования выньте вилку из розетки, удерживая ее рукой. НЕ тяните за шнур питания.

15. Не используйте микроволновую печь без поворотного стола и опоры поворотного стола, расположенной в правильном положении.

16. Используйте только микроволновую печь для приготовления пищи. Не используйте микроволновую печь для сушки одежды, бумаги или других непродовольственных товаров. Не используйте микроволновую печь для стерилизации.

17. Никогда не используйте пустую микроволновую печь, так как это может повредить устройство.

18. Не используйте внутреннюю часть микроволновой печи для хранения продуктов, таких как бумага, книги и т. Д.

19. Пищевые продукты с толстой кожей, такие как картофель, яблоки или каштаны, перед приготовлением необходимо прокалывать несколько раз.

20. Не кладите никаких предметов в отверстия в корпусе.

21. Никогда не снимайте какие-либо части микроволновой печи. **ВНИМАНИЕ!** Не снимайте крышку. Источник микроволнового излучения и высокого напряжения.

22. Никогда не готовьте прямо на поворотном столе. Всегда кладите еду в микроволновую печь.

23. Используйте только микроволновую посуду.

24. Оставьте минимум 30 см свободного пространства над верхней поверхностью микроволновой печи.

25. Не жарьте пищу в микроволновой печи. Горячее масло может повредить детали микроволновой печи и посуды и повредить кожу.

26. **ПРЕДУПРЕЖДЕНИЕ.** Нагретая жидкость в контейнере очень горячая, даже если емкость не нагревается до касания после завершения приготовления и извлечения из микроволновой печи.

27. Нагревание напитков в микроволновой печи может вызвать замедленное взрывное кипение - будьте осторожны при обращении с контейнером.

28. Чтобы избежать ожогов, смешайте или встряхните содержимое детских бутылочек и баночек с детским питанием, затем проверьте температуру перед подачей на стол.

29. Если вы видите дым, выключите микроволновую печь, выньте вилку из розетки и оставьте дверцу закрытой, чтобы подавить пламя.

30. Блюда могут нагреваться в результате передачи тепла от нагретой пищи на

блюдо. Используйте соответствующую защиту при переноске посуды.

31. Чтобы уменьшить вероятность возгорания внутри микроволновой печи, соблюдайте следующие правила:

а. не готовьте пищу в контейнерах из бумаги, пластика или других легковоспламеняющихся материалов в течение длительного периода времени

б. удалите все металлические элементы из упаковки перед помещением их в микроволновую печь

с. при нагревании пищи в пластиковых или бумажных контейнерах часто проверяйте микроволновую печь из-за возможности возгорания контейнера

32. ПРЕДУПРЕЖДЕНИЕ. Если дверь или ее уплотнение повреждены, микроволновая печь не может использоваться, пока ее не отремонтирует квалифицированный специалист.

33. ПРЕДУПРЕЖДЕНИЕ. Любые действия, связанные с обслуживанием или ремонтом, включая снятие защитного кожуха от микроволновой энергии, опасны и должны выполняться квалифицированными специалистами.

34. ПРЕДУПРЕЖДЕНИЕ. Жидкости и другие продукты нельзя нагревать в герметичных контейнерах, поскольку они могут взорваться.

35. Микроволновая печь предназначена для автономного использования. Не ставьте микроволновую печь в шкаф.

36. Рекомендуется регулярно чистить микроволновую печь и удалять остатки пищи.

37. Несоблюдение требований по чистоте микроволновой печи может привести к повреждению поверхности, что может отрицательно сказаться на долговечности микроволновой печи и, следовательно, привести к опасным ситуациям.

Внутренняя часть микроволновой печи должна содержаться в чистоте. В случае загрязнения внутренних стенок микроволновой печи удалите частицы пищи или пролитую жидкость влажной тряпкой.

38. Для сильных загрязнений используйте мягкое моющее средство. Не используйте чистящие средства, содержащие абразивы.

39. Не используйте чистящие средства в форме спрея или другие сильные чистящие средства, поскольку они могут испачкать, испачкать или потускнить поверхность микроволновой печи и дверцы.

40. Наружную поверхность микроволновой печи следует протирать влажной тканью. Во избежание повреждения компонентов внутри микроволновой печи следите за тем, чтобы вода не капала через вентиляционные отверстия внутри.

41. Обе стороны двери, окна, уплотнителя двери и прилегающих частей следует регулярно протирать влажной тряпкой, чтобы удалить остатки пищи или пролитую жидкость.

42. Не допускайте намокания панели управления. Протрите его мягкой влажной тканью. Не используйте моющие средства, абразивы или чистящие аэрозоли для очистки панели управления.

43. Если в микроволновой печи или вокруг двери накапливается водяной пар, протрите его мягкой тканью. Это может произойти, когда микроволновая печь

работает в условиях высокой влажности и когда в устройстве нет признаков неисправности.

44. Периодически очищайте стеклянный проигрыватель в теплой кипяченой воде или в посудомоечной машине.

45. Не нагревайте яйца в скорлупе или цельные яйца вкрутую в микроволновой печи. Они могут взорваться даже после завершения нагрева в микроволновой печи.

46. Не прикасайтесь к горячим поверхностям микроволновой печи (дверце, верхней или нижней стенке и боковым стенкам). Используйте защитные перчатки при снятии или касании горячих элементов.



47. Для обеспечения дополнительной защиты рекомендуется устанавливать в цепи питания устройство защитного отключения (УЗО) с номинальным током не более 30 мА. Свяжитесь с профессиональным электриком по этому вопросу.

48. ПРЕДУПРЕЖДЕНИЕ. Только тогда разрешайте детям пользоваться духовкой без присмотра, когда им были даны надлежащие инструкции, чтобы они могли безопасно пользоваться духовкой и знать об опасностях, возникающих в результате неправильного использования.

49. Металлические контейнеры для пищевых продуктов и напитков не разрешается использовать в микроволновой печи.

ОПИСАНИЕ УСТРОЙСТВА (рис. 1)

1. Дверной замок
2. Микроволновая печь
3. Набор поддержки проигрывателя
4. Открытие двери
5. Панель управления
6. Стеклянный проигрыватель

ПАНЕЛЬ УПРАВЛЕНИЯ (Рис. 2)

- 2.1. Таймер 0-30 минут
 - 2.2. Ручка для настройки уровня мощности
- I: низкая мощность - 20%
- II: малой и средней мощности - 52%
- III: средняя мощность - 73%
- IIII: средняя-высокая мощность - 88%
- IIIII: высокая мощность - 100%
- ✳️ размораживание - 42%

ПЕРЕД ПЕРВЫМ ИСПОЛЬЗОВАНИЕМ

1. Убедитесь, что вся упаковка была удалена изнутри микроволновой печи.
2. Проверьте, нет ли признаков повреждения, таких как согнутая или деформированная дверь, поврежденные дверные уплотнения, поврежденная контактная поверхность, трещины или ослабленные дверные петли и защелки, вмятина в микроволновой печи или двери. В случае каких-либо повреждений не используйте устройство и обратитесь в сервисный отдел.
3. Не подвергайте микроволновую печь воздействию высоких температур или влажности и не размещайте рядом с ней легковоспламеняющиеся материалы.
4. Поставьте микроволновую печь на ровную устойчивую поверхность, которая выдержит ее вес.
5. Не кладите ничего на микроволновую печь, не блокируйте и не закрывайте вентиляционные отверстия.
6. Не снимайте вал поворотного стола.
7. В целях безопасности детей никогда не оставляйте устройство без присмотра во время работы.

ИСПОЛЬЗОВАНИЕ УСТРОЙСТВА

1. После помещения продуктов в соответствующую посуду на стеклянном поворотном столе внутри микроволновой печи. Закройте дверцу микроволновой печи, установите желаемый уровень мощности (рис. 2 .2) и время приготовления по таймеру (рис. 2 .1).

ПРЕДУПРЕЖДЕНИЕ: МИКРОВОЛНОВАЯ ПЕЧЬ БУДЕТ ПРИЧИНИТЬСЯ К ЭКСПЛУАТАЦИИ НЕМЕДЛЕННО ПОСЛЕ ВРЕМЕНИ.

2. Если желаемое время приготовления составляет менее 5 минут, сначала поверните ручку таймера за пределами 5-минутной линии, затем поверните ручку таймера назад, чтобы установить подходящее время.

3. Если еда была извлечена из микроволновой печи до истечения установленного времени программы, ВСЕГДА ПЕРЕВОДИТЕ РУЧКУ В НУЛЕВУЮ ПОЗИЦИЮ.

4. Чтобы остановить микроволновую печь, поверните ручку таймера в нулевое положение. Если дверца микроволновой печи открывается в процессе приготовления, микроволновая печь автоматически перестает работать. Повторное закрытие дверцы автоматически перезапустит микроволновую печь в соответствии с предыдущими настройками. Если оставшееся время на таймере не требуется, поверните ручку таймера обратно в нулевое положение.
ВНИМАНИЕ: ЭКСПЛУАТАЦИЯ МИКРОВОЛНОВОЙ ПЕЧИ БЕЗ КАКИХ-ЛИБО ПИТАНИЯ ВНУТРИ МОЖЕТ ПОВРЕДИТЬ УСТРОЙСТВО.

ЧИСТКА И ОБСЛУЖИВАНИЕ

1. Микроволновая печь должна регулярно чиститься и остатки пищи должны регулярно удаляться. Неочищенная микроволновая печь может привести к повреждению поверхности, что, в свою очередь, может отрицательно сказаться на сроке службы устройства и привести к опасным ситуациям.
2. Перед чисткой выключите микроволновую печь и выньте вилку из розетки.
3. Внутренняя часть микроволновой печи должна содержаться в чистоте. В случае загрязнения внутренних стенок микроволновой печи удалите частицы пищи или пролитую жидкость влажной тряпкой.
4. При сильном загрязнении используйте мягкое моющее средство. Не используйте чистящие средства, содержащие абразивы.
5. Не используйте чистящие средства в форме спрея или другие сильные чистящие средства, так как они могут испачкать, испачкать или потускнить поверхность микроволновой печи и дверцы.
6. Наружную поверхность микроволновой печи следует протирать влажной тканью. Во избежание повреждения компонентов внутри микроволновой печи следите за тем, чтобы вода не капала через вентиляционные отверстия внутри.
7. Обе стороны двери, окна, уплотнения двери и прилегающие детали следует регулярно протирать влажной тканью для удаления остатков пищи или пролитой жидкости.
8. Не допускайте намокания панели управления. Протрите его мягкой влажной тканью. Не используйте моющие средства, абразивы или чистящие аэрозоли для очистки панели управления.
9. Если водяной пар накапливается внутри микроволновой печи или вокруг двери, протрите его мягкой тканью. Это может произойти, когда микроволновая печь работает в условиях высокой влажности и когда в устройстве нет признаков неисправности.
10. Периодически очищайте стеклянный проигрыватель в теплой кипяченой воде или в посудомоечной машине.
11. Чтобы избежать чрезмерного шума во время работы микроволновой печи, регулярно чистите опору поворотного стола и основание внутренней части микроволновой печи. Для этого вы можете использовать мягкое моющее средство, воду или средство для мытья окон. Подставка для проигрывателя может быть вымыта в теплой воде или в посудомоечной машине. После чистки подставки проигрывателя убедитесь, что она была правильно установлена там, где она была до снятия для чистки.
12. Во время приготовления может накапливаться пар из приготовленной пищи или жидкости. Тем не менее, это не влияет на поверхность внутренней части микроволновой печи и поворотный круг опорного кольца.
13. Чтобы удалить любые остаточные запахи после приготовления, поместите смесь воды и лимонного сока или воды и лимонной цедры в посуду, безопасную для микроволновой печи, внутри микроволновой печи. Нагрейте эту смесь в течение 5 минут, затем протрите внутреннюю поверхность микроволновой печи мягкой тканью.
14. **ВНИМАНИЕ:** Устройство нельзя чистить с помощью парового пылесоса.

ТЕХНИЧЕСКИЕ ДАННЫЕ:

Источник питания: 230-240В ~50Гц

Максимальная мощность: 1100Вт

Мощность микроволнового излучения: 700Вт

Частота: 2450 МГц

Емкость микроволновой печи: 20 литров



Забываясь об окружающей среде.. Упаковку из картона передайте, пожалуйста, на макулатуру. Полиэтиленовые мешки (PE) выкидать в резервуар для пластмассы. Изнашенное устройство надо передать в соответствующую точку хранения, так как находящиеся в устройстве опасные составляющие могут являться угрозой для окружающей среды. Электрическое устройство надо передать таким образом, чтобы ограничить его повторное употребление и использование. Если в устройстве находятся батареи, их надо вытянуть и передать в точку хранения отдельно. Устройство не выкидать в резервуар для коммунальных отходов!

македонски

ОПШТИ БЕЗБЕДНОСНИ УСЛОВИ

ВАЖНИ ИНСТРУКЦИИ ЗА БЕЗБЕДНОСТ НА КОРИСТЕЊЕ ВНИМАТЕ ПРОЧИТАЈТЕ И ВНИМАТЕЛТЕ ЗА ИДНИНАТА РЕФЕРЕНЦА

1. Пред првата употреба на уредот, прочитајте го упатството за употреба и следете ги упатствата содржани во неа. Производителот не е одговорен за штетата

предизвикана со користење на уредот за други цели освен оние што се наменети или со неправилна употреба на уредот.

2. Уредот е само за домашна употреба. Не користете за други цели освен оние што се наменети.

3. Уредот треба да се поврзе само со 230-240V ~50Hz заземјување.

За да се зголеми безбедноста, истовремено не поврзувајте повеќе електрични уреди во едно струјно коло.

4. Особено внимавајте кога го користите уредот ако има деца во близина. Не дозволувајте деца да си играат со уредот. Не дозволувајте деца или лица кои не се запознаени со уредот да работат.

5. ПРЕДУПРЕДУВАЊЕ: Овој уред може да го користат деца постари од 8 години и лица со намалени физички, сензорни или ментални способности или лица без искуство или знаење за уредот, само под надзор на лице одговорно за нивната безбедност, или ако биле упатени за безбедно користење на уредот и се свесни за опасностите поврзани со неговото работење. Децата не треба да играат со уредот. Чистењето и одржувањето на уредот не треба да го вршат деца, освен ако не се постари од 8 години и овие активности се вршат под надзор.

6. По употребата секогаш извадете го приклучокот од штекерот со држење на штекерот со раката. НЕ повлекувајте со кабелот за напојување.

7. Не оставајте го уредот поврзан со излезот без надзор.

8. Не потопувајте го кабелот, приклучокот и целиот уред во вода или други течности. Не го изложувајте уредот на атмосферски услови (на пример, дожд, сонце итн.) Или да го користите во висока влажност (во бањата, влажните летни куќи).

9. Редовно проверувајте ја состојбата на кабелот за напојување. Ако кабелот за напојување е оштетен, треба да го замените на специјален штекер за да избегнете опасност.

10. Не користете го уредот со оштетен кабел за напојување или ако тоа било паднато или оштетено на било кој начин или не работи правилно. Не го поправајте самиот уред затоа што постои ризик од електричен удар. Оставете оштетен уред во соодветниот сервисен центар да се провери или поправи. Само овластени сервисни центри можат да ја поправат штетата. Несоодветната поправка може да резултира со сериозен ризик за корисникот.

11. Уредот треба да се става на ладна, стабилна, рамна површина, подалеку од греење кујнски апарати како што се електрични шпорети, гасни пламеници итн.


12. Не користете го уредот во близина на запаливи материјали.

13. Кабелот за напојување може да не виси над работ на маса или да допре топли површини.

14. Пред чистење или по употреба, отстранете го приклучокот од штекерот за струја со држење на штекерот со раката. НЕ повлекувајте со кабелот за напојување.

15. Не користете микробранова печка без плочата за готвење и плочата за грамофон поставена во правилната положба.

16. Користете само микробранова печка за готвење храна. Не користете микробранова печка за да ја исушите облеката, хартијата или другите не-прехранбени производи. Не користете микробранова печка за целите на стерилизацијата.
17. Никогаш не користете микробранова печка празна, бидејќи тоа може да го оштети уредот.
18. Не користете внатрешноста на микробрановата печка за да зачувате какви било производи, како што се хартија, книги итн.
19. Прехранбени производи со густа кожа, како што се компири, јаболка или костени, треба да се прободат неколку пати пред да се готви.
20. Не ставајте предмети во отворите во куќиштето.
21. Никогаш не отстранувајте делови од микробрановата печка. **ВНИМАНИЕ:** Не отстранувајте го капакот. Извор на микробранова радијација и висок напон.
22. Никогаш не гответе директно на плочата. Секогаш ставајте ја храната во микробранова безбедна чинија.
23. Користете само микробранови безбедни јадења.
24. Чувајте најмалку 30 см слободен простор над горната површина на микробрановата печка.
25. Не пржете ја храната во микробрановата печка. Топлото масло може да ги оштети деловите од микробрановата печка и садот и може да ја оштети кожата.
26. **ПРЕДУПРЕДУВАЊЕ:** Загреаната течност во контејнер е многу жешка дури и ако контејнерот не е топло за допирање по завршувањето на готвењето и отстранувањето од микробранова печка.
27. Грејни пијалаци во микробранова печка може да предизвикаат задоцнето експлозивно вриење - внимавајте кога ракувате со садот.
28. За да се избегне изгореници, се меша или тресе содржината на шишињата за хранење на деца и тегли за храна за бебиња, а потоа проверете ја температурата пред сервирањето.
29. Ако видите чад, исклучете го микробрановата печка, извадете го приклучокот од штекерот и оставете ја вратата затворена за да го задушите пламенот.
30. Јадењата може да се загреат како резултат на топлината од загреаната храна која се пренесува на садот. Користете соодветна заштита при носење на садовите.
31. За да ја намалите веројатноста за пожар во микробранова печка, следете ги следните правила:
 - а. не гответе ја храната во контејнери направени од хартија, пластика или други запаливи материјали за подолг временски период
 - б. отстранете ги сите метални елементи од пакувањето пред да ги ставите во микробранова печка
 - в. кога грееш храна во пластични или хартиени контејнери, често проверувајте ја микробрановата печка поради можноста на контејнерот да запали оган
32. **ПРЕДУПРЕДУВАЊЕ:** Ако вратата или неговата плomba се оштетени, микробрановата печка не може да се користи се додека не се поправи квалификувано лице.

33. ПРЕДУПРЕДУВАЊЕ: Сите активности поврзани со сервисирање или поправки кои вклучуваат отстранување на заштитната обвивка од микробранова енергија се опасни и треба да ги вршат квалификувани лица.
34. ПРЕДУПРЕДУВАЊЕ: Течностите и друга храна не треба да се загреваат во запечатени контејнери бидејќи можат да експлодираат.
35. Микробранова печка е наменета за самостојна употреба. Не ставајте микробранова печка во шкаф.
36. Се препорачува редовно чистење на микробрановата печка и отстранување на остатоци од храна.
37. Неухотот на чистењето на микробрановата печка може да доведе до влошување на површината, што може негативно да влијае на издржливоста на микробрановата печка и на тој начин да доведе до опасни ситуации.
- Внатрешноста на микробрановата печка треба да се чува чиста. Во случај на валкање на внатрешните сидови на микробрановата печка, отстранете ги честичките од храната или истекувањето на истекување со влажна крпа.
38. За тешки нечистотии користете благ детергент. Не користете средства за чистење што содржат абразиви.
39. Не употребувајте средства за чистење во формула за прскање или други силни средства за чистење, бидејќи може да ја дадат дамка, редењето или досадата на површината на микробрановата печка и на вратата.
40. Надворешната површина на микробрановата печка треба да се исчисти со влажна крпа. За да избегнете оштетување на компонентите во микробрановата печка, проверете дали водата не тече низ дупките за вентилација внатре.
41. Двете страни од вратата, прозорецот, заптивката на вратата и соседните делови треба редовно да се бришат со влажна крпа за да се отстранат остатоците од храна или истурените течности.
42. Не дозволувајте контролниот панел да се навлажни. Исчистете го со мека, влажна ткаенина. Не користете детергенти, абразиви или спрејови за чистење за чистење на контролната табла.
43. Ако во внатрешноста на микробрановата печка или околу вратата се собира вода, избришете ја со мека крпа. Ова може да се случи кога микробрановата печка работи во услови на висока влажност и кога нема знаци на грешка во уредот.
44. Периодично чистете ја стаклена плоча во топла, зовриена вода или во машина за миење садови.
45. Не ја загревајте јајцата во школки или целата тврдо варена јајца во микробрановата печка. Тие можат да експлодираат дури и по завршување на греењето во микробранова печка.
46. Не ги допирајте жешките површини на микробрановата печка (вратата, горниот или долниот сид и страничните сидови). Користете заштитни ракавици при  отстранување или допирање на топли елементи.
47. Со цел да се обезбеди дополнителна заштита, се препорачува да се инсталира уред за остаток (RCD) во струјното коло, со резидуална струја не поголема од 30 mA.

Контактирајте професионален електричар во ова прашање.

48. ПРЕДУПРЕДУВАЊЕ: Само тогаш дозволете им на децата да ја користат рерната без надзор кога им се дадени соодветни упатства за безбедно користење на рерната и запознавање со опасностите што се резултат на неправилна употреба.

49. Метални контејнери за храна и пијалоци не смеат да се користат во микробранова печка.

ОПИС НА УРЕДОТ (Слика 1)

1. Заклучување на вратата
2. Прозорец со микробранова печка
3. Поставување поддршка за тастатура
4. Отворање на вратата
5. Контролен панел
6. Стакло плочата

КОНТРОЛНА ПАНЕЛ (Слика 2)

- 2.1. Тајмер 0-30 минути
 - 2.2. Копче за поставување на нивото на моќност
- I: мала моќност - 20%
- II: ниска средна моќност - 52%
- III: средна моќност - 73%
- III: средна висока моќност - 88%
- IIII: висока моќност - 100%
- ※: одмрзнување - 42%

ПРЕД ПРВАТА УПОТРЕБА

1. Осигурете се дека целото пакување е отстрането од внатрешноста на микробрановата печка.
2. Проверете дали нема знаци на оштетување, како што се свиткана или искривена врата, оштетени вглабнатини на вратата, оштетена контактна површина, испукани или лабави шарки на вратата и браќи, кои се втурнуваат во микробрановата печка или на вратата. Во случај на оштетување, не го користете уредот и не контактирајте го одделот за сервисирање.
3. Не изложувајте ја микробрановата печка на високи температури или влажност и не ставајте запаливи материјали во близина.
4. Ставете микробранова печка на рамна, стабилна површина, која ќе издржи нејзината тежина.
5. Не поставувајте ништо на микробрановата печка или блокирајте ги дупките за вентилација.
6. Не отстранувајте го вратилото за грамофон.
7. Заради безбедноста на децата никогаш не оставајте го уредот без надзор за време на работата.

КОРИСТЕЊЕ НА УРЕДОТ

1. По ставање на храната во соодветна чинија на стаклото плочата во микробранова печка. Затворете ја вратата на микробрановата печка, поставете го саканото ниво на енергија (слика 2, 2) и времето за готвење на тајмерот (слика 2. 1).
- ПРЕДУПРЕДУВАЊЕ: МИКРОВОЛНОТО ПЕРЕЊЕ ЌЕ ПОСТАПУВА РАБОТА** веднаш по поставувањето на времето.
2. Ако посакуваното време за готвење е помалку од 5 минути, прво вртете го копчето на тајмерот надвор од линијата од 5 минути, а потоа свртете го копчето на тајмерот за да го наместите соодветното време.
 3. Ако храната е отстранета од микробрановата печка пред истекот на зададеното време за програмирање, **ВКЛУЧУВАЈТЕ ГО ВКЛУЧУВАЈТЕ ГО ЗНАЧЕЊЕТО НА ЗЕМОТО ПОЗИЦИЈА.**
 4. За да ја запрете микробрановата печка, свртете го копчето на тајмерот во нулта позиција. Ако вратата на микробрановата печка се отвори за време на процесот на готвење, микробрановата печка автоматски ќе престане да работи. Повторното затворање на вратата автоматски ќе ја стартува микробранова печка според претходните поставки. Ако преостанатото време на тајмерот не е потребно, свртете го копчето на тајмерот назад во нулта позиција.
- ПРЕДУПРЕДУВАЊЕ: РАБОТА НА МИКРОВНАТА ПЕЧКА БЕЗ КАКВА БИЛО НИВНА ХРАНА МОЖЕ ДА ГО ОТКАЖАТ УРЕДОТ.**

ЧИСТЕЊЕ И ОДРЖУВАЊЕ

1. Микробрановата печка треба редовно да се чисти и остатокот од храна треба редовно да се отстранува. Оставањето на нечистата микробранова печка може да предизвика оштетување на површината, што од своја страна може негативно да влијае на животниот век на уредот и да доведе до опасни ситуации.
2. Пред чистење, исклучете ја микробрановата печка и извадете го приклучокот од штекерот.
3. Внатрешноста на микробрановата печка треба да се чува чиста. Во случај на валкање на внатрешните сидови на микробрановата печка, отстранете ги честичките од храната или истекувањето на истекување со влажна крпа.
4. За тешки нечистотии користете благ детергент. Не користете средства за чистење што содржат абразиви.
5. Не користете средства за чистење во формула за прскање или други силни средства за чистење, бидејќи може да ја дадат дамка, редувањето или досадата на површината на микробрановата печка и на вратата.
6. Надворешната површина на микробрановата печка треба да се исчисти со влажна крпа. За да избегнете оштетување на компонентите во микробрановата печка, проверете дали водата не тече низ дупките за вентилација внатре.

7. Двете страни на вратата, прозорецот, заптивката на вратата и соседните делови треба редовно да се бришат со влажна крпа за да се отстранат остатоците од храна или истурените течности.
8. Не дозволувајте контролниот панел да се навлажни. Искристите го со мека, влажна ткаенина. Не користете детергенти, абразиви или спрејеви за чистење за чистење на контролната табла.
9. Ако во внатрешноста на микробрановата печка или околу вратата се собира вода, избришете ја со мека крпа. Ова може да се случи кога микробрановата печка работи во услови на висока влажност и кога нема знаци на грешка во уредот.
10. Периодично чистете ја стаклена плоча во топла, зовриена вода или во машина за миење садови.
11. За да се избегне прекумерна бучава за време на работењето на микробрановата рерна, редовно чистете ја плочата за грамофон и основата на внатрешноста на микробрановата печка. За ова можете да користите благ детергент, вода или прочистувач на прозорци. Подлогата може да се измие во млека вода или во машина за миење садови. По чистењето на подножјето на плочата, проверете дали е правилно поставена онаму каде што беше пред отстранувањето за чистење.
12. Парите од готвената храна или течноста може да се соберат за време на готвењето. Сепак, ова не влијае на површината на внатрешноста на микробрановата печка и на прстенот за поддршка на плочата.
13. За да ги отстраните остатоците од мирисот по готвењето, ставете мешавина од вода и сок од лимон или вода и кора од лимон во сад за микробранова печка во микробранова печка. Загрејте ја оваа смеса 5 минути, потоа избришете ја внатрешноста на микробрановата печка со мека крпа.
14. ПРЕДУПРЕДУВАЊЕ: Уредот не може да се чисти со користење на парни правосумкалки

ТЕХНИЧКИ ПОДАТОЦИ:

Извор на енергија: 230-240V ~50Hz

Максимална моќност: 1100 W

Микробранова моќност: 700 W

Фреквенција: 2450 MHz

Капацитет на микробранова печка: 20 литри



Се грижime за природната средина. Картонските паковки молиме да се наменат за рециклирање. Полиетиленовите кеси (PE) да се фрлат во контејнер за пластика. Искористениот уред треба да се предаде во соодветниот складирачки пункт, бидејќи небезбедните состојки кои се наоѓаат во уредот можат да бидат загрозување за средината. Електричниот уред треба да се предаде на начин кој ќе оневозможи негова повторна употреба и искористување. Доколку во уредот има батерии, треба да се извадат и посебно да се предадат во складирачкиот пункт.

SLOVENSKÝ

VŠEOBECNÉ BEZPEČNOSTNÉ PODMIENKY

DÔLEŽITÉ POKYNY PRE BEZPEČNOSŤ POUŽITIA SI POZORNE PREČÍTAJTE A UCHOVÁVAJTE PRE BUDÚCNOSŤ

1. Pred prvým použitím zariadenia si prečítajte návod na používanie a postupujte podľa pokynov, ktoré sú v ňom obsiahnuté. Výrobca nie je zodpovedný za poškodenie spôsobené používaním zariadenia na iné účely, ako sú určené, alebo nesprávnym používaním zariadenia.
2. Zariadenie je určené len na domáce použitie. Nepoužívajte na iné ako určené účely.
3. Prístroj by mal byť pripojený iba do uzemňovacej zásuvky 230-240V ~50Hz. Na zvýšenie bezpečnosti nie sú súčasne pripojené viaceré elektrické zariadenia do jedného napájacieho obvodu.
4. Pri používaní prístroja venujte zvláštnu pozornosť, ak sú v blízkosti deti. Nedovoľte deťom hrať so zariadením. Nedovoľte deťom alebo osobám, ktoré nie sú s prístrojom oboznámení, aby ich obsluhovali.
5. **UPOZORNENIE: Toto zariadenie môže používať deti staršie ako 8 rokov a osoby so zníženými fyzickými, zmyslovými alebo duševnými schopnosťami alebo osoby bez skúseností alebo znalosti o prístroji iba pod dohľadom osoby zodpovednej za ich bezpečnosť alebo ak boli poučení o bezpečnom používaní prístroja a sú si vedomí nebezpečenstva spojeného s jeho prevádzkou. Deti by sa nemali hrať so zariadením. Čistenie a údržbu zariadenia by nemali vykonávať deti, pokiaľ nie sú staršie ako 8 rokov a tieto činnosti sa vykonávajú pod dohľadom.**

6. Po použití vždy vytiahnite zástrčku z elektrickej zásuvky držaním zásuvky rukou. Neťahajte sieťový kábel.
7. Nenechávajte zariadenie pripojené k zásuvke bez dozoru.
8. Neponárajte kábel, zástrčku a celé zariadenie do vody alebo iných kvapalín. Nevystavujte prístroj atmosferickým podmienkam (napr. Dážď, slnko atď.) Alebo ho používajte vo vysokej vlhkosti (v kúpeľni, vlhkých letných domoch).
9. Pravidelne kontrolujte stav napájacieho kábla. Ak je napájací kábel poškodený, mal by byť vymenený na odbornej opravovni, aby sa predišlo nebezpečenstvu.
10. Prístroj nepoužívajte s poškodeným napájacím káblom alebo ak bol akýkoľvek spôsob spadnutia alebo poškodenia alebo nefunguje správne. Neopravujte zariadenie sami, pretože existuje riziko elektrického prúdu. Nechajte poškodené zariadenie v príslušnom servisnom stredisku, aby ste ho mohli skontrolovať alebo opraviť. Iba oprávnené servisné strediská môžu opraviť akékoľvek škody. Nesprávna oprava môže viesť k vážnemu riziku pre používateľa.
11. Prístroj by mal byť umiestnený na chladnom, stabilnom, rovnomernom povrchu, mimo vyhrievaných kuchynských spotrebičov, ako sú elektrické sporáky, plynové horáky atď.
12. Prístroj nepoužívajte v blízkosti horľavých materiálov.
13. Napájací kábel nesmie visieť nad okrajom stola alebo sa dotýkať horúcich plôch.
14. Pred čistením alebo po použití vytiahnite zástrčku zo zásuvky tým, že ju držte rukou. Neťahajte sieťový kábel.
15. Nepoužívajte mikrovlnnú rúru bez otočného taniera a držiaka otočného taniera umiestneného v správnej polohe.
16. Používajte len mikrovlnnú rúru na varenie jedla. Nepoužívajte mikrovlnnú rúru na sušenie oblečenia, papiera alebo iných nepotravinových predmetov. Nepoužívajte mikrovlnnú rúru na sterilizačné účely.
17. Nikdy nepoužívajte mikrovlnnú rúru prázdnu, pretože by to mohlo poškodiť zariadenie.
18. Nepoužívajte interiér mikrovlnnej rúry na ukladanie výrobkov, ako sú papier, knihy atď.
19. Potravinárske výrobky s hrubou kožou, ako sú zemiaky, jablká alebo gaštany, by sa mali pred varením niekoľkokrát prepichnúť.
20. Do otvorov v kryte neumiestňujte žiadne predmety.
21. Nikdy neodstraňujte žiadne časti mikrovlnnej rúry. **UPOZORNENIE:** Neodstraňujte veko. Zdroj mikrovlnného žiarenia a vysokého n
22. Nikdy nevarujte priamo na gramofóne. Vždy vložte jedlo do mikrovlnnej platne.
23. Používajte len mikrovlnné platne.
24. Udržujte minimálne 30 cm voľného priestoru nad horným povrchom mikrovlnnej rúry.
25. Nezahrievajte potraviny v mikrovlnnej rúre. Horúci olej môže poškodiť časti mikrovlnnej rúry a misky a môže poškodiť pokožku.
26. **VAROVANIE:** Vyhrievaná kvapalina v nádobe je veľmi horúca, aj keď nádoba nie je horúca na dotyk po dokončení varenia a odstránení z mikrovlnnej rúry.
27. Vykurovacie nápoje v mikrovlnnej rúre môžu spôsobiť oneskorené výbušné varenie - pri manipulácii s nádobou postupujte opatrne.
28. Aby ste sa vyhli popáleninám, premiešajte alebo pretrepte obsah detských kŕmnych fliaš

a pohárov detskej výživy, potom skontrolujte teplotu pred podávaním.

29. Ak vidíte, že dym vypnite mikrovlnnú rúru, vyťahnite zástrčku zo zásuvky a nechajte dvere zatvorené, aby ste potlačili plamene.

30. Jedlá sa môžu zahriať v dôsledku tepla z ohrievaného jedla, ktoré sa preniesie do misky. Pri používaní riadu používajte vhodnú ochranu.

31. Aby ste znížili pravdepodobnosť požiaru v mikrovlnnej rúre, postupujte podľa nasledujúcich pravidiel:

a. nevarte potraviny v nádobách vyrobených z papiera, plastu alebo iných horľavých materiálov po dlhšiu dobu

b. odstráňte všetky kovové prvky z obalu pred ich vložením do mikrovlnnej rúry

c. pri ohreve potravín v plastových alebo papierových nádobách často kontrolujte mikrovlnnú rúru kvôli možnosti požiaru kontajnera

32. UPOZORNENIE: Ak sú dvere alebo ich tesnenie poškodené, mikrovlnnú rúru je možné používať len vtedy, keď ich opraví kvalifikovaná osoba.

33. UPOZORNENIE: Akékoľvek činnosti súvisiace s opravou alebo opravou, ktoré zahŕňajú odstránenie ochranného krytu proti mikrovlnnej energii, sú nebezpečné a mali by byť vykonávané kvalifikovanými osobami.

34. UPOZORNENIE: Tekutiny a iné potraviny sa nesmú ohrievať v uzavretých nádobách, pretože môžu explodovať.

35. Mikrovlnná rúra je určená na samostatné použitie. Neumiestňujte mikrovlnnú rúru do skrinky.

36. Odporúča sa pravidelné čistenie mikrovlnnej rúry a odstránenie zvyškov potravín.

37. Neuchovávanie mikrovlnnej rúry v čistote môže mať za následok poškodenie povrchu, čo môže nepriaznivo ovplyvniť trvanlivosť mikrovlnnej rúry a viesť tak k nebezpečným situáciám.

Vnútroň časť mikrovlnnej rúry by mala byť čistá. V prípade znečistenia vnútorných stien mikrovlnnej rúry odstráňte čiastočky jedla alebo tekuté škrvny vlhkou handričkou.

38. Pri ťažkých nečistotách použite jemný čistiaci prostriedok. Nepoužívajte čistiace prostriedky obsahujúce abrazíva.

39. Nepoužívajte čistiace prostriedky vo forme spreja ani iných silných čistiacich prostriedkov, pretože by mohli poškodiť povrch mikrovlnnej rúry a dverí.

40. Vonkajší povrch mikrovlnnej rúry by sa mal čistiť vlhkou handričkou. Aby ste predišli poškodeniu komponentov vo vnútri mikrovlnnej rúry, uistite sa, že vetracie otvory vo vnútri nie sú kvapky vody.

41. Obidve strany dverí, okna, tesnenia dverí a príľahlých častí by sa mali pravidelne otrieť navlhčenou handričkou, aby sa odstránili zvyšky potravín alebo rozliate kvapaliny.

42. Nedovoľte, aby sa ovládací panel namočil. Vyčistite ju mäkkou vlhkou handričkou. Na čistenie ovládacieho panela nepoužívajte čistiace prostriedky, brúsne prostriedky ani čistiace spreje.

43. Ak sa vo vnútri mikrovlnnej rúry alebo okolo dverí zhromažďuje vodná para, utrite ju mäkkou handričkou. To sa môže stať, keď sa mikrovlnná rúra prevádzkuje v podmienkach s vysokou vlhkosťou a keď nie sú žiadne príznaky poruchy v zariadení.

44. Okrúhle taniere pravidelne čistite v teplej, varenej vode alebo v umývačke riadu.
45. Nezahrievajte v mikrovlnnej rúre vajcia v škrupinách alebo celé varené vajcia. Môžu explodovať aj po dokončení ohrevu v mikrovlnnej rúre.
46. Nedotýkajte sa horúcich povrchov mikrovlnnej rúry (dvere, horná alebo



spodná stena a bočné steny). Pri odstraňovaní alebo dotyku horúcich prvkov používajte ochranné rukavice.

47. Aby sa zabezpečila dodatočná ochrana, odporúča sa nainštalovať zariadenie na zvyšky prúdu (RCD) v napájacom okruhu, pričom zvyškový prúd nesmie byť väčší ako 30 mA. V tejto záležitosti kontaktujte profesionálneho elektrikára.

48. **UPOZORNENIE:** Len potom nechajte deti používať rúru bez dozoru, keď im boli poskytnuté náležité pokyny, aby mohli bezpečne používať rúru a uvedomiť si riziká vyplývajúce z nesprávneho používania.

49. Kovové nádoby na potraviny a nápoje nesmú byť použité v mikrovlnnej rúre.

POPIS ZARIADENIA (obrázok 1)

1. Uzamknutie dverí
2. Okno mikrovlnnej rúry
3. Podporná súprava gramofónu
4. Otvorenie dverí
5. Ovládací panel
6. Sklenený gramofón

OVLÁDACÍ PANEL (obrázok 2)

- 2.1. Časovač 0 - 30 minút
- 2.2. Gombík na nastavenie úrovne výkonu

I: nízky výkon - 20%

II: nízky stredný výkon - 52%

III: stredný výkon - 73%

IIII: stredne vysoký výkon - 88%

IIIII: vysoký výkon - 100%

☼: odmravovanie - 42%

PRED PRVÝM POUŽITÍM

1. Uistite sa, že všetky obaly boli odstránené z vnútra mikrovlnnej rúry.
2. Skontrolujte, či nie sú žiadne známky poškodenia, ako sú ohýbané alebo pokrčené dvere, poškodené tesnenia dvierok, poškodený kontaktný povrch, popraskané alebo voľné závesy a zámky dverí, zuby v mikrovlnnej rúre alebo dverách. V prípade poškodenia zariadenie nepoužívajte a kontaktujte servis.
3. Nevystavujte mikrovlnnú rúru vysokým teplotám alebo vlhkosti a neumiestňujte v blízkosti horľavé materiály.
4. Ponúkajte mikrovlnnú rúru na rovnom a stabilnom povrchu, ktorý vydrží svoju hmotnosť.
5. Na mikrovlnnú rúru nič nekladte, ani nepokladajte ventilačné otvory.
6. Neodstraňujte hriadeľ točnice.
7. Za účelom detskej bezpečnosti nikdy neopúšťajte zariadenie počas prevádzky bez dozoru.

POUŽÍVANIE ZARIADENIA

1. Po vložení jedla do vhodnej misky na sklenenom gramofóne vnútri mikrovlnnej rúry. Zatvorte dvierka mikrovlnnej rúry, nastavte požadovanú úroveň výkonu (obrázok 2 .2) a čas pečenia na časovači (obrázok 2 .1).

UPOZORNENIE: RÚRKA MIKROVLNNEHO SYSTÉMU BUDE PRIPRAVOVAŤ POUŽÍVANIE okamžite po nastavení času.

2. Ak je požadovaný čas varenia kratší ako 5 minút, najskôr otočte gombík časovača mimo 5minútovú linku a potom otočte gombík časovača späť, aby ste nastavili vhodný čas.

3. Ak bola potravina vybratá z mikrovlnnej rúry pred uplynutím nastaveného času programu, **VŽDY OTOČTE ZÁMOK DO NULOVEJ POLOHY.**

4. Ak chcete mikrovlnnú rúru zastaviť, otočte gombík časovača do nulovej polohy. Ak sa dvierka mikrovlnnej rúry otvoria počas procesu varenia, mikrovlnná rúra automaticky prestane pracovať. Opätovné zatvorenie dverí automaticky spustí mikrovlnnú rúru podľa predchádzajúcich nastavení. Ak zostávajúci čas na časovači nie je potrebný, otočte gombík časovača späť do nulovej polohy.

UPOZORNENIE: PREVÁDZKA MIKROVLNNEJ RÚRY BEZ VŠETKÝHO POTRAVINY VNÚTORNE MÔŽE POŠKODIŤ ZARIADENIE.

ČISTENIE A ÚDRŽBA

1. Mikrovlnná rúra by sa mala čistiť pravidelne a zvyšky potravín by sa mali pravidelne odstraňovať. Nechajte nevyčistenú mikrovlnnú rúru

spôsobiť poškodenie povrchu, čo môže negatívne ovplyvniť životnosť stroja a viesť k nebezpečným situáciám.

2. Pred čistením vypnite mikrovlnnú rúru a vyberte zástrčku zo zásuvky.

3. Vnútorňa časť mikrovlnnej rúry by mala byť čistá. V prípade znečistenia vnútorných stien mikrovlnnej rúry odstráňte čistočky jedla alebo tekuté škvrny vlhku handričkou.

4. Pri ťažkých nečistotách použite jemný čistiaci prostriedok. Nepoužívajte čistiace prostriedky obsahujúce abrazíva.

5. Nepoužívajte čistiace prostriedky vo forme spreja ani iných silných čistiacich prostriedkov, pretože by mohli poškodiť povrch mikrovlnnej rúry a dvierok.

6. Vonkajší povrch mikrovlnnej rúry by sa mal čistiť vlhku handričkou. Aby ste predišli poškodeniu komponentov vo vnútri mikrovlnnej rúry, uistite sa, že vetracie otvory vo vnútri nie sú kvapky vody.

7. Obidve strany dverí, okienka, tesnenia dverí a priľahlých častí by sa mali pravidelne otrieť vlhku handričkou, aby sa odstránili zvyšky potravín alebo rozliate kvapaliny.

8. Nedovoľte, aby sa ovládací panel namočil. Vyčistite ju mäkkou vlhku handričkou. Na čistenie ovládacieho panela nepoužívajte čistiace prostriedky, brúsne prostriedky ani čistiace spreje.

9. Ak sa vo vnútri mikrovlnnej rúry alebo okolo dverí zhromaždí vodná para, utrite ju jemnou handričkou. To sa môže stať, keď sa mikrovlnná rúra prevádzkuje v podmienkach s vysokou vlhkosťou a keď nie sú žiadne príznaky poruchy v zariadení.

10. Okrúhly gramofón pravidelne čistíte v teplej, vriacej vode alebo v umývačke riadu.

11. Aby ste predišli nadmernému huku počas prevádzky mikrovlnnej rúry, pravidelne čistite podperu otočného taniera a základňu vnútra mikrovlnnej rúry. Za týmto účelom môžete používať jemný čistiaci prostriedok, čistiaci prostriedok na vodu alebo na okná. Nosník otočného taniera môže byť umývaný vo vlažnej vode alebo v umývačke riadu. Po vyčistení nosiča gramofónu skontrolujte, či bol správne namontovaný tam, kde bol pred odstránením na čistenie.

12. Počas pečenia sa môžu zhromaždiť výpary z vareného jedla alebo tekutiny. To však neovplyvňuje povrch vnútornej časti mikrovlnnej rúry a opomého krúžku otočného taniera.

13. Na odstránenie zvyšných pachov po varení položte zmes vody a citrónovej šťavy alebo vody a citrónovej kôry do mikrovlnnej rúry v mikrovlnnej rúre. Zohrievajte túto zmes počas 5 minút, potom utrite vnútro mikrovlnnej rúry jemnou handričkou.

14. **VÝSTRAHA:** Zariadenie sa nedá vyčistiť parným vysávačom

TECHNICKÉ DÁTA:

Napájací zdroj: 230-240V ~50Hz

Maximálny výkon: 1100 W

Mikrovlnný výkon: 700 W

Frekvencia: 2450 MHz

Kapacita mikrovlnnej rúry: 20 litrov



Starostlivosť o životné prostredie. Kartónový obal odovzdajte do zberných surovín. Polyetylénové vrecká (PE) vyhodte do kontajnera na plast.

Opotrebený spotrebič odovzdajte na príslušný zberný dvor, nebezpečné látky spotrebiča môžu predstavovať riziko pre životné prostredie.

Elektrospotrebič odstráňte tak, aby nedochádzalo j jeho ďalšiemu použitiu. Ak sa v spotrebiči nachádzajú batérie, vyberte ich a odovzdajte ich na zberné miesto osobitne. Spotrebič nevyhadzujte do kontajnera na komunálny odpad!

HRVATSKI

OPĆI UVJETI SIGURNOSTI

VAŽNE UPUTE O SIGURNOSTI UPORABE MOLIMO VAS PAŽLJIVO I ČUVAJTE ZA BUDUĆE REFERENCE

1. Prije prve uporabe uređaja, molimo pročitajte upute za uporabu i slijedite upute koje se u njima nalaze. Proizvođač nije odgovoran za štetu uzrokovanu korištenjem uređaja u svrhe koje nisu namijenjene ili zbog nepravilne uporabe uređaja.

2. Uređaj je namijenjen samo za kućnu uporabu. Nemojte koristiti u druge svrhe osim onih namijenjenih.

3. Uređaj bi trebao biti spojen samo na utičnicu za uzemljenje od 230-240V ~50Hz.

Kako biste povećali sigurnost, nemojte istovremeno priključiti više električnih uređaja u jedan strujni krug.

4. Obratite posebnu pozornost kada koristite uređaj u blizini djece. Nemojte dopustiti djeci da se igraju s uređajem. Nemojte dopustiti djeci ili osobama koje ne poznaju uređaj da njome upravljaju.

5. UPOZORENJE: Ovaj uređaj mogu koristiti djeca starija od 8 godina i osobe smanjenih fizičkih, osjetilnih ili mentalnih sposobnosti ili osobe bez iskustva ili

znanja o uređaju, samo pod nadzorom osobe odgovorne za njihovu sigurnost, ili ako su poučeni o sigurnom korištenju uređaja i koji su svjesni opasnosti povezanih s njegovim radom. Djeca se ne smiju igrati s uređajem. Čišćenje i održavanje uređaja ne smiju izvoditi djeca, osim ako su starija od 8 godina i te se aktivnosti obavljaju pod nadzorom.

6. Nakon uporabe uvijek izvucite utikač iz utičnice držeći utikač rukom. NEMOJTE povlačiti kabel za napajanje.

7. Ne ostavljajte uređaj spojen na utičnicu bez nadzora.

8. Ne uranjajte kabel, utikač i cijeli uređaj u vodu ili druge tekućine. Ne izlažite uređaj atmosferskim uvjetima (npr. Kiši, suncu itd.) Ili ga koristite u visokoj vlažnosti (u kupaonici, vlažnim ljetnim kućama).

9. Redovito provjeravajte stanje mrežnog kabela. Ako je kabel za napajanje oštećen, treba ga zamijeniti u specijaliziranoj prodavaonici kako bi se izbjegla opasnost.

10. Ne koristite uređaj s oštećenim kabelom za napajanje ili ako je ispušten ili na bilo koji način oštećen ili ne radi ispravno. Nemojte sami popravljati uređaj jer postoji opasnost od strujnog udara. Oštećeni uređaj ostavite u odgovarajućem servisnom centru za provjeru ili popravak. Sva oštećenja mogu popraviti samo ovlašteni servisni centri. Nepravilno popravljavanje može rezultirati ozbiljnim rizikom za korisnika.

11. Uređaj treba postaviti na hladnu, stabilnu, ravnu površinu, podalje od grijanja kuhinjskih uređaja kao što su električni štednjaci, plinski plamenici itd.

12. Nemojte koristiti uređaj u blizini zapaljivih materijala.

13. Kabel za napajanje možda neće visjeti preko ruba stola ili dodirivati vruće površine.

14. Prije čišćenja ili nakon uporabe, izvucite utikač iz utičnice tako što ćete rukom držati utičnicu. NEMOJTE povlačiti kabel za napajanje.

15. Ne koristite mikrovalnu pećnicu bez da je okretni tanjur i nosač okretne ploče postavljeni u pravilan položaj.

16. Mikrovalnu pećnicu koristite samo za kuhanje hrane. Ne koristite mikrovalnu pećnicu za sušenje odjeće, papira ili drugih neprehrambenih proizvoda. Ne koristite mikrovalnu pećnicu za sterilizaciju.

17. Nikada nemojte koristiti mikrovalnu pećnicu praznu, jer to može oštetiti uređaj.

18. Nemojte koristiti unutrašnjost mikrovalne pećnice za spremanje proizvoda, kao što su papir, knjige itd.

19. Prehrambeni proizvodi s debelom kožom, kao što su krumpir, jabuke ili kesteni, prije kuvanja treba probušiti nekoliko puta.

20. Ne stavljajte nikakve predmete u otvore na kućištu.

21. Nikada ne uklanjajte dijelove mikrovalne pećnice. OPREZ: Nemojte uklanjati poklopac. Izvor mikrovalnog zračenja i visoki napon.

22. Nikada ne kuhajte izravno na okretnom stolu. Uvijek stavite hranu u jelo koje je sigurno u mikrovalnoj pećnici.

23. Koristite samo jela s mikrovalnom pećnicom.

24. Držite najmanje 30 cm slobodnog prostora iznad gornje površine mikrovalne pećnice.

25. Ne pržite hranu u mikrovalnoj pećnici. Vruće ulje može oštetiti dijelove mikrovalne

pećnice i posuđa i može oštetiti vašu kožu.

26. UPOZORENJE: Grijana tekućina u posudi je jako vruća čak i ako posuda nije vruća na dodir nakon završetka kuhanja i uklanjanja iz mikrovalne pećnice.

27. Zagrijavanje napitaka u mikrovalnoj pećnici može prouzročiti kašnjenje s eksplozivom - budite oprezni pri rukovanju spremnikom.

28. Kako biste izbjegli opekline, pomiješajte ili protresite sadržaj dječjih bočica za hranjenje i staklenki hrane za bebe, a zatim provjerite temperaturu prije posluživanja.

29. Ako vidite dim koji isključuje mikrovalnu pećnicu, izvadite utikač iz utičnice i ostavite vrata zatvorena kako bi ugasili plamen.

30. Jela se mogu zagrijati kao posljedica topline iz zagrijane hrane koja se prenosi na posudu. Prilikom nošenja posuđa koristite odgovarajuću zaštitu.

31. Da biste smanjili vjerojatnost požara u mikrovalnoj pećnici, slijedite sljedeća pravila:

a. nemojte kuhati hranu u posudama od papira, plastike ili drugih zapaljivih materijala tijekom duljeg vremenskog razdoblja

b. prije stavljanja u mikrovalnu pećnicu uklonite sve metalne elemente iz ambalaže

c. kod zagrijavanja hrane u plastičnim ili papirnim posudama često provjerite mikrovalnu pećnicu zbog mogućnosti zapaljenja spremnika

32. UPOZORENJE: Ako su vrata ili brtva oštećena, mikrovalna se pećnica ne može koristiti dok je ne popravi kvalificirana osoba.

33. UPOZORENJE: Sve aktivnosti vezane za servisiranje ili popravak koje uključuju uklanjanje zaštitne zaštite poklopca od mikrovalne energije su opasne i trebaju ih obavljati kvalificirane osobe.

34. UPOZORENJE: Tekućine i ostala hrana ne smiju se zagrijavati u zatvorenim spremnicima jer mogu eksplodirati.

35. Mikrovalna pećnica je namijenjena samostalnoj uporabi. Ne stavljajte mikrovalnu pećnicu u ormar.

36. Preporučuje se redovito čišćenje mikrovalne pećnice i uklanjanje ostataka hrane.

37. Ako se mikrovalna pećnica ne održava čistom, može doći do oštećenja površine, što može negativno utjecati na trajnost mikrovalne pećnice i tako dovesti do opasnih situacija.

Unutrašnjost mikrovalne pećnice treba održavati čistom. U slučaju zaprljanja unutarnjih zidova mikrovalne pećnice, uklonite čestice hrane ili prolivene tekućine vlažnom krpom.

38. Za teške nečistoće koristite blagi deterdžent. Nemojte koristiti sredstva za čišćenje koja sadrže abrazive.

39. Nemojte koristiti sredstva za čišćenje u obliku spreja ili drugih jakih sredstava za čišćenje, jer mogu zamrljati, isprskati ili zatamniti površinu mikrovalne pećnice i vrata.

40. Vanjsku površinu mikrovalne pećnice treba očistiti vlažnom krpom. Kako biste izbjegli oštećenje komponenti u mikrovalnoj pećnici, pazite da voda ne kaplje kroz otvore za ventilaciju.

41. Obje strane vrata, prozora, brtve vrata i susjednih dijelova treba redovito brisati vlažnom krpom kako bi se uklonili ostaci hrane ili prolivene tekućine.

42. Ne dopustite da se upravljačka ploča smoči. Očistite ga mekom, vlažnom krpom.

Nemojte koristiti deterdžente, abrazive ili sprejeve za čišćenje za čišćenje upravljačke

ploče.

43. Ako se vodena para skupi u mikrovalnoj pećnici ili oko vrata, obrišite je mekom krpom. To se može dogoditi kada mikrovalna pećnica radi u uvjetima visoke vlažnosti i kada nema znakova kvara na uređaju.

44. Povremeno očistite stakleni okretni stol toplom, prokuhanom vodom ili u perilici posuđa.

45. U mikrovalnoj pećnici nemojte zagrijavati jaja u školjkama ili cijela tvrdo kuhana jaja.

Mogu eksplodirati i nakon završetka grijanja u mikrovalnoj pećnici.

46. Ne dirajte vruće površine mikrovalne pećnice (vrata, gornji ili donji zid i



bočne zidove). Prilikom uklanjanja ili dodirivanja vrućih elemenata koristite zaštitne rukavice.

47. Kako bi se osigurala dodatna zaštita, preporučuje se u strujni krug instalirati uređaj za zadržavanje struje (RCD) s preostalom strujnom snagom ne većom od 30 mA. Obratite se profesionalnom električaru u vezi s tim.

48. UPOZORENJE: Tek tada dopustite djeci da koriste pećnicu bez nadzora, ako su im dane odgovarajuće upute, kako bi mogle sigurno koristiti pećnicu i biti svjesne opasnosti uslijed nepravilne uporabe.

49. Metalne posude za hranu i pića ne smiju se koristiti u mikrovalnoj pećnici.

OPIS UREĐAJA (Sl. 1)

1. Zaključavanje vrata
2. Prozor mikrovalne pećnice
3. Podrška za gramofone
4. Otvaranje vrata
5. Upravljačka ploča
6. Stolni okretni tanjur

KONTROLNA PLOČA (Sl. 2)

- 2.1. Tajmer 0-30 minuta
 - 2.2. Gumb za podešavanje razine snage
- I: mala snaga - 20%
- II: low-medium power - 52%
- III: srednja snaga - 73%
- IIII: srednja-visoka snaga - 88%
- IIIII: velika snaga - 100%
- ☼ odmrzavanje - 42%

PRIJE PRVE UPORABE

1. Provjerite je li sve ambalaže uklonjeno iz unutrašnjosti mikrovalne pećnice.
2. Provjerite da nema znakova oštećenja, kao što su savijena ili iskrivljena vrata, oštećena brtva na vratima, oštećene kontaktne površine, napuknute ili labave šarke vrata i zasune, utor u mikrovalnoj pećnici ili na vratima. U slučaju oštećenja nemojte koristiti uređaj i kontaktirajte servis.
3. Ne izlažite mikrovalnu pećnicu visokim temperaturama ili vlazi i ne stavljajte u blizini zapaljive materijale.
4. Postavite mikrovalnu pećnicu na ravnu, stabilnu površinu koja će izdržati svoju težinu.
5. Ne stavljajte ništa na mikrovalnu pećnicu ili blokirajte ili pokrivajte otvore za ventilaciju.
6. Ne uklanjajte vratilo okretno ploče.
7. U svrhu sigurnosti djece nikada ne ostavljajte uređaj bez nadzora tijekom rada.

KORIŠTENJE UREĐAJA

1. Nakon stavljanja hrane u odgovarajuću posudu na stakleni okretni tanjur unutar mikrovalne pećnice. Zatvorite vrata mikrovalne pećnice, postavite željenu razinu snage (Sl. 2 .2) i vrijeme kuhanja na tajmeru (Sl. 2 .1).
- OPREZ: MIKROVALNA PEĆNICA ODMAH ĆE POSTATI UPRAVLJANJE POSLIJE VREMENA.**
2. Ako je željeno vrijeme kuhanja manje od 5 minuta, prvo okrenite gumb za mjerenje vremena izvan linije od 5 minuta, a zatim okrenite gumb za podešavanje vremena za podešavanje odgovarajućeg vremena.
 3. Ako je hrana izvađena iz mikrovalne pećnice prije isteka zadanog programa, UVIJEK UKLJUČITE NOGU NA NULU POLOŽAJ.
 4. Za zaustavljanje mikrovalne pećnice okrenite gumb za mjerenje vremena u nulti položaj. Ako se vrata mikrovalne pećnice otvore tijekom

postupka kuhanja, mikrovalna pećnica će automatski prestati raditi. Ponovno zatvaranje vrata automatski će ponovno pokrenuti mikrovalnu pećnicu prema prethodnim postavkama. Ako preostalo vrijeme na tajmeru nije potrebno, okrenite gumb za mjerenje vremena u nulti položaj.

OPREZ: KORIŠTENJE MIKROVALOVNE PEĆI BEZ BILO KOJE HRANE UNUTAR MOGU OŠTEĆITI UREĐAJ.

ČIŠĆENJE I ODRŽAVANJE

1. Mikrovalnu pećnicu treba redovito čistiti, a ostatke hrane redovito uklanjati. Neočišćavanje mikrovalne pećnice može prouzročiti oštećenje površine, što može negativno utjecati na životni vijek uređaja i dovesti do opasnih situacija.
2. Prije čišćenja isključite mikrovalnu pećnicu i izvucite utikač iz utičnice.
3. Unutrašnjost mikrovalne pećnice treba biti čista. U slučaju zaprljanja unutarnjih zidova mikrovalne pećnice, uklonite čestice hrane ili prolivene tekućine vlažnom krpom.
4. Za teške nečistoće koristite blagi deterdžent. Nemojte koristiti sredstva za čišćenje koja sadrže abrazive.
5. Nemojte koristiti sredstva za čišćenje u obliku spreja ili drugih jakih sredstava za čišćenje, jer oni mogu zamrljati, napuknuti ili zatamniti površinu mikrovalne pećnice i vrata.
6. Vanjsku površinu mikrovalne pećnice treba očistiti vlažnom krpom. Kako biste izbjegli oštećenje komponenti u mikrovalnoj pećnici, pazite da voda ne kaplje kroz otvore za ventilaciju.
7. Obje strane vrata, prozora, brtve vrata i susjednih dijelova treba redovito brisati vlažnom krpom kako bi se uklonili ostaci hrane ili prolivene tekućine.
8. Ne dopustite da se upravljačka ploča smoči. Očistite ga mekom, vlažnom krpom. Nemojte koristiti deterdžente, abrazive ili sprejeve za čišćenje za čišćenje upravljačke ploče.
9. Ako se vodena para skupi u mikrovalnoj pećnici ili oko vrata, obrišite je mekom krpom. To se može dogoditi kada mikrovalna pećnica radi u uvjetima visoke vlažnosti i kada nema znakova kvara na uređaju.
10. Povremeno očistite stakleni okretni stol toplom, prokuhanom vodom ili u perilici posuđa.
11. Da biste izbjegli prekomjernu buku tijekom rada mikrovalne pećnice, redovito čistite nosač okretno ploče i podnožje unutrašnjosti mikrovalne pećnice. Za to možete koristiti blagi deterdžent, sredstvo za čišćenje vode ili prozora. Držač okretno ploče može se oprati u mlakoj vodi ili u perilici posuđa. Nakon čišćenja nosača okretno ploče pazite da je ispravno postavljen na mjestu prije čišćenja.
12. Tijekom kuhanja može se skupljati para iz kuhane hrane ili tekućine. Međutim, to ne utječe na površinu unutrašnjosti mikrovalne pećnice i na nosač prstena.
13. Za uklanjanje zaostalih mirisa nakon kuhanja, stavite mješavinu vode i limunovog soka ili vode i limunovu koru u mikrovalnu pećnicu u mikrovalnoj pećnici. Grijati ovu smjesu 5 minuta, a zatim unutarnju površinu mikrovalne pećnice obrisati mekom krpom.
14. **UPOZORENJE:** Uređaj se ne može očistiti pomoću usisivača pare

TEHNIČKI PODACI:

Izvor napajanja: 230-240 V ~50Hz

Maksimalna snaga: 1100 W

Mikrovalna snaga: 700 W

Frekvencija: 2450 Mhz

Kapacitet mikrovalne pećnice: 20 litara



Vodimo brigu o prirodnom okolišu. Kartonsku ambalažu molimo prenijeti na otpadni papir. Polietilen (PE) vreće bacati u kontejner za plastiku. Istrošena oprema treba biti premještena na prikladno mjesto za pohranu, jer sadrže u uređaju opasne tvari mogu predstavljati opasnost za okoliš. Električni uređaj mora biti predat u takvom stanju da se smanji mogućnost njegove ponovne upotrebe. Ako vaš uređaj ima baterije, treba njih ukloniti i predati na mjesto za pohranu odvojeno.

DANSKI

ALMINDELIGE SIKKERHEDSBETINGELSER

VIGTIGE INSTRUKTIONER VEDRØRENDE SIKKERHEDSVEJLEDNING Læs venligst omhyggeligt og hold fast i fremtidige referencer

1. Før brug af apparatet, læs venligst brugsanvisningen og følg instruktionerne heri. Fabrikanten er ikke ansvarlig for skader forårsaget af brug af enheden til andre formål end dem, der er beregnet eller ved forkert brug af enheden.
 2. Enheden er kun til husholdningsbrug. Må ikke anvendes til andre formål end de tilsigtede.
 3. Apparatet må kun tilsluttes 230-240V ~50Hz jordforbindelse.
- For at øge sikkerheden forbinder ikke flere elektriske enheder samtidigt til et strømkreds.
4. Vær særlig opmærksom, når du bruger enheden, hvis der er børn i nærheden. Lad ikke børn lege med enheden. Lad ikke børn eller personer være uvidende om enheden til at

betjene den.

5. ADVARSEL: Denne enhed kan bruges af børn over 8 år og personer med nedsat fysisk, sensorisk eller mental kapacitet eller personer uden erfaring eller kendskab til enheden, kun under tilsyn af en person, der er ansvarlig for deres sikkerhed, eller hvis de blev instrueret om sikker brug af enheden og er opmærksomme på de farer, der er forbundet med dens drift. Børn bør ikke lege med enheden. Rengøring og vedligeholdelse af apparatet bør ikke udføres af børn, medmindre de er over 8 år, og disse aktiviteter udføres under tilsyn.

6. Fjern altid stikket ud af stikkontakten ved brug af stikkontakten med hånden. Træk IKKE ved strømledningen.

7. Forlad ikke enheden tilsluttet til stikkontakten uden tilsyn.

8. Undgå at sænke kablet, stikket og hele apparatet i vand eller andre væsker. Udsæt ikke apparatet under atmosfæriske forhold (fx regn, sol osv.) Eller brug den i høj luftfugtighed (i badeværelset, fugtige sommerhuse).

9. Kontroller strømforsyningens tilstand regelmæssigt. Hvis netledningen er beskadiget, skal den udskiftes hos en specialstik for at undgå fare.

10. Brug ikke enheden med en beskadiget netledning, eller hvis den er blevet tabt eller beskadiget på nogen måde eller ikke fungerer korrekt. Du må ikke reparere enheden selv, da der er risiko for elektrocutation. Lad den beskadigede enhed på det relevante servicecenter kontrolleres eller repareres. Kun autoriserede servicecentre kan reparere eventuelle skader. Forkert reparation kan medføre alvorlig risiko for brugeren.

11. Enheden skal placeres på en kølig, stabil, plan overflade, væk fra opvarmning af køkkenapparater som elkøkkener, gasbrændere osv.

12. Brug ikke apparatet i nærheden af brandfarlige materialer.

13. Netledningen må ikke hænge over kanten af et bord eller berøre varme overflader.

14. Tag stikket ud af stikkontakten, inden du rengør eller efter brug, ved at holde stikkontakten med hånden. Træk IKKE ved strømledningen.

15. Brug ikke mikrobølgeovnen uden drejeskiven og drejebordsstøtten placeret i den rigtige position.

16. Brug kun mikrobølgeovnen til madlavning. Brug ikke mikrobølgeovnen til at tørre tøj, papir eller andre fødevarer. Brug ikke mikrobølgeovnen til sterilisering.

17. Brug aldrig mikrobølgeovnen tom, da det kan beskadige enheden.

18. Brug ikke mikrobølgeovnenes indre til at opbevare produkter, såsom papir, bøger osv.

19. Madprodukter med tyk hud, såsom kartofler, æbler eller kastanjer, bør gennembores flere gange før madlavning.

20. Placer ikke genstande i åbningerne i huset.

21. Fjern aldrig dele af mikrobølgeovnen. **FORSIGTIG:** Fjern ikke låget. Kilde for mikrobølgestråling og højspænding.

22. Kog aldrig direkte på skiven. Placer altid mad i en mikrobølgeovn.

23. Brug kun mikrobølge-sikre retter.

24. Hold mindst 30 cm ledig plads over mikroovnens overflade.

25. Stil ikke mad i mikrobølgeovnen. Varm olie kan beskadige dele af mikrobølgeovnen og

opvaskemaskinen, og det kan beskadige din hud.

26. ADVARSEL: Opvarmet væske i en beholder er meget varmt, selvom beholderen ikke er varm at berøre efter færdiglavning og fjernelse fra mikrobølgeovnen.

27. Opvarmning af drikkevarer i en mikrobølgeovn kan forårsage forsinket eksplosiv kogning - pas på ved håndtering af beholderen.

28. For at undgå forbrændinger blandes eller rystes indholdet af børns foderflasker og krus af babymad, så kontroller temperaturen før servering.

29. Hvis du ser røg, sluk mikrobølgeovnen, tag stikket ud af stikkontakten og lad døren lukkes for at kvælge flammerne.

30. Retter kan opvarmes som følge af varmen fra den opvarmede mad overføres til fadet. Brug passende beskyttelse, når du transporterer opvasken.

31. Følg nedenstående regler for at reducere sandsynligheden for brand i mikrobølgeovnen:

a. kog ikke mad i beholdere fremstillet af papir, plast eller andet brændbart materiale i længere tid

b. Fjern alle metalelementer fra emballagen, inden de placeres i mikrobølgeovnen

c. Når der opvarmes mad i plastik- eller papirbeholdere, kontrolleres mikrobølgeovnen ofte på grund af muligheden for, at beholderen brænder

32. ADVARSEL: Hvis døren eller dens tætning er beskadiget, kan mikrobølgeovnen ikke bruges, før den er repareret af en kvalificeret person.

33. ADVARSEL: Eventuelle service- eller reparationsrelaterede aktiviteter, der involverer fjernelse af afdækningsafskærmningen mod mikrobølgeenergi, er farlig og bør udføres af kvalificerede personer.

34. ADVARSEL: Væsker og andre fødevarer må ikke opvarmes i lukkede beholdere, da de kan eksplodere.

35. Mikrobølgeovnen er beregnet til selvstændig brug. Placer ikke mikrobølgeovnen i et skab.

36. Regelmæssig rengøring af mikrobølgeovnen og fjernelse af madrest er anbefalet.

37. Hvis du ikke holder mikrobølgeovnen ren, kan det resultere i forringelse af overfladen, hvilket kan påvirke mikrobølgeovnenes holdbarhed og dermed føre til farlige situationer. Indersiden af mikrobølgeovnen bør holdes ren. I tilfælde af snavsning af mikroovnens indvendige vægge skal fødepartiklerne eller væskespildene fjernes med en fugtig klud.

38. Ved tungt snavs skal du bruge et mildt rengøringsmiddel. Brug ikke rengøringsmidler, der indeholder slibemiddel.

39. Brug ikke rengøringsmidler i en sprøjtestof eller andre stærke rengøringsmidler, da de kan plette, stribe eller kaste overfladen af mikrobølgeovnen og døren.

40. Mikrobølgeovnenes udvendige overflade skal rengøres med en fugtig klud. For at undgå beskadigelse af komponenterne i mikrobølgeovnen skal du sørge for, at der ikke dannes vand gennem ventilationshullerne indeni.

41. Dørets begge sider, vindue, dørforsegling og tilstødende dele skal regelmæssigt tørres af med en fugtig klud for at fjerne madrester eller spildte væsker.


42. Lad ikke kontrolpanelet blive vådt. Rengør den med en blød, fugtig klud. Brug ikke

rengøringsmidler, slibemidler eller rengøringsprayer til at rengøre betjeningspanelet.

43. Hvis vanddamp samles inde i mikrobølgeovnen eller rundt om døren, tørres den af med en blød klud. Dette kan ske, når mikrobølgeovnen drives under forhold med høj luftfugtighed, og når der ikke er tegn på fejl i enheden.

44. Rengør glaspladen regelmæssigt i varmt, kogt vand eller i opvaskemaskinen.

45. Opvarm ikke æg i skaller eller hele hårdkogte æg i mikrobølgeovnen. De kan eksplodere selv efter afslutning af opvarmning i mikrobølgeovnen.

46. Rør ikke mikrobølgeovnenes varme overflader (døren, toppen eller  bundvæggen og sidevæggene). Brug beskyttelseshandsker, når du fjerner eller rører ved varme elementer.

47. For at give yderligere beskyttelse anbefales det at installere reststrømmenheden (RCD) i strømkredsløbet, med reststrøm ikke mere end 30 mA. Kontakt professionel elektriker i denne sag.

48. ADVARSEL: Lad kun børnene bruge ovnen uden tilsyn, når de har fået de rette instruktioner, så de kan bruge ovnen på en sikker måde og være opmærksom på farer som følge af ukorrekt brug.

49. Metalbeholdere til mad og drikke må ikke anvendes i mikrobølgeovn.

BESKRIVELSE AF ENHEDEN (fig. 1)

1. Dørlås
2. Mikrobølgeovne
3. Turntables support sæt
4. Åbning af døren
5. Kontrolpanel
6. Glaspladespiller

KONTROLPANEL (fig. 2)

- 2.1. Timer 0-30 minutter
 - 2.2. Knap til indstilling af effektniveau
- I: Lav effekt - 20%
II: lavmidletryk - 52%
III: Middel strøm - 73%
IIII: medium høj effekt - 88%
IIIIII høj effekt - 100%
☼: optøning - 42%

FØR FØRSTE BRUG

1. Sørg for, at al emballage er fjernet fra mikroovnens inderside.
2. Kontroller, at der ikke er tegn på skader, såsom en bøjet eller forkranset dør, beskadigede dørforseglinger, beskadiget kontaktflade, revnede eller løse dørhængsler og låse, dug i mikrobølgeovnen eller døren. I tilfælde af skade må du ikke bruge enheden og kontakte serviceafdelingen.
3. Vis ikke mikrobølgeovnen udsat for høje temperaturer eller fugtighed, og placer ikke nærliggende brændbare materialer.
4. Placér mikrobølgeovnen på en flad, stabil overflade, som modstår vægten.
5. Anbring ikke noget oven på mikrobølgeovnen eller blok eller dække ventilationshullerne.
6. Fjern ikke drejeskiveakslen.
7. For børns sikkerhed skal du aldrig forlade apparatet uovervåget under drift.

ANVENDELSE AF ENHEDEN

1. Efter at have lagt mad i en passende skål på glaspladen inden i mikrobølgeovnen. Luk døren til mikrobølgeovnen, indstil det ønskede effektniveau (Fig. 2.2) og tilberedningstiden på timeren (Fig. 2.1).
2. **FORSIGTIG: MICROWAVE OVNEN KOMMER TILBAGE OPERATET OMHØRENDE, SOM TIDEN ER INDSTILLET.**
3. Hvis den ønskede tilberedningstid er mindre end 5 minutter, drej først drejeknappen uden for 5 minutters linie, og drej derefter timerknappen tilbage for at indstille den passende tid.
3. Hvis fødevarer blev fjernet fra mikrobølgeovnen, inden den indstillede programtid er gået, skal du **ALTID VÆRE KNAPPEN TIL NULSTILLINGEN.**

4. For at stoppe mikrobølgeovnen, drej timerknappen til nulstilling. Hvis døren til mikrobølgeovnen åbnes under tilberedningsprocessen, stopper mikrobølgeovnen automatisk. Lukning af døren vil automatisk genstarte mikrobølgeovnen som i de foregående indstillinger. Hvis den resterende tid på timeren ikke er nødvendig, skal du dreje timerknappen tilbage til nulstilling.

FORSIGTIG: BRUG AF MICROWAVE OVEN UDEN NOEN FØDEVARER INGEN SKADER ENHEDEN.

RENGØRING OG VEDLIGEHOLDELSE

1. Mikrobølgeovnen skal rengøres regelmæssigt, og fødevarer skal fjernes regelmæssigt. Forlængelse af mikrobølgeovnen, der er uren, kan forårsage beskadigelse af overfladen, hvilket igen kan påvirke enhedens levetid negativt og føre til farlige situationer.
2. Sluk for mikrobølgeovnen og fjern stikket fra stikkontakten inden rengøring.
3. Indersiden af mikrobølgeovnen skal holdes ren. I tilfælde af snæsning af mikroovnens indvendige vægge skal fødepartiklerne eller væskesplidene fjernes med en fugtig klud.
4. Brug tungt rengøringsmiddel til tung snavs. Brug ikke rengøringsmidler, der indeholder slibemiddel.
5. Brug ikke rengøringsmidler i en sprøjtetest eller andre stærke rengøringsmidler, da de kan plette, stribe eller kaste overfladen af mikrobølgeovnen og døren.
6. Mikrobølgeovnens udvendige overflade skal rengøres med en fugtig klud. For at undgå beskadigelse af komponenterne i mikrobølgeovnen skal du sørge for, at der ikke dannes vand gennem ventilationshullerne indeni.
7. Begge sider af døren, vinduet, dørforseglingen og tilstødende dele skal regelmæssigt tørres af med en fugtig klud for at fjerne eventuelle restprodukter eller spildte væsker.
8. Lad ikke kontrolpanelet blive vådt. Rengør den med en blød, fugtig klud. Brug ikke rengøringsmidler, slibemidler eller rengøringsprayer til at rengøre betjeningspanelet.
9. Hvis vanddamp samles inde i mikrobølgeovnen eller rundt døren, skal den tørres med en blød klud. Dette kan ske, når mikrobølgeovnen drives under forhold med høj luftfugtighed, og når der ikke er tegn på fejl i enheden.
10. Rengør glaspladen regelmæssigt i varmt, kogt vand eller i opvaskemaskinen.
11. For at undgå overdreven støj under brug af mikrobølgeovnen skal du regelmæssigt rense drejebordsstøtten og bunden af mikrobølgeovnen. Til dette kan du bruge et mildt rengøringsmiddel, vand eller vinduesrensere. Pladespilleren kan vaskes i lunken vand eller i opvaskemaskinen. Efter rengøring af drejebordsstøtten skal du sørge for, at den er korrekt monteret, hvor den var før fjernelse til rengøring.
12. Damp fra kogt mad eller væske kan samles under tilberedningen. Dette påvirker dog ikke overfladen af mikrobølgeovnenes indre og drejebordsstøtten.
13. For at fjerne resterende lugt efter madlavning, skal du placere en blanding af vand og citronsaft eller vand og citronskræl i en mikrobølgeovn i mikrobølgeovnen. Varm denne blanding i 5 minutter, og tør derefter mikrobølgeovnen med en blød klud.
14. **ADVARSEL:** Apparatet kan ikke rengøres med dampstøvsuger

TEKNISK DATA:

Strømkilde: 230-240V ~50Hz

Maksimal effekt: 1100 W

Mikrobølgeeffekt: 700 W

Frekvens: 2450 Mhz

Mikrobølgeovnens kapacitet: 20 liter



Af hensyn til miljøet . Venligst overfør papemballage til affaldspapir. Hæld polyethylenposer (PE) i plastbeholderen Slidt enhed skal returneres til det relevante punkt opbevaring, fordi det er farligt i enheden ingredienser kan udgøre en trussel for miljøet. Den elektriske enhed skal overleveres for at begrænse dets genanvendelse og brug. Hvis i enheden der er batterier, fjern dem og vende tilbage til punktet opbevares separat.

СРПСКИ

ОПШТИ УСЛОВИ ЗА СИГУРНОСТ

ВАЖНЕ УПУТЕ О СИГУРНОСТИ КОРИШЋЕЊА МОЛИМО ПРОЧИТАЈТЕ ПАЖЉИВО И ПРИДРУЖИТЕ ЗА БУДУЋЕ РЕФЕРЕНЦЕ

1. Пре прве употребе уређаја, прочитајте упутство за употребу и пратите упутства која се у њој налазе. Произвођач није одговоран за штету насталу коришћењем уређаја у сврхе које нису предвиђене или због неправилне употребе уређаја.
 2. Уређај је само за кућну употребу. Не користите за друге сврхе осим оних које су предвиђене.
 3. Уређај треба да буде прикључен само на 230-240V ~50Hz уземљење.
- Да бисте повећали безбедност, немојте истовремено повезивати више електричних уређаја у један струјни круг.

4. Обратите посебну пажњу када користите уређај ако су дјеца у близини. Не дозволите деци да се играју са уређајем. Немојте дозволити да дјеца или особе које не познају уређај управљају њиме.

5. УПОЗОРЕЊЕ: Овај уређај могу користити дјеца старија од 8 година и особе са смањеним физичким, осјетилним или менталним способностима, или особе без искуства или знања о уређају, само под надзором особе одговорне за њихову сигурност, или ако су добили инструкције о безбедном коришћењу уређаја и да су свесни опасности које су повезане са његовим радом. Деца не би требало да се играју са уређајем. Чишћење и одржавање уређаја не би требало да се врши од стране деце, осим ако су старији од 8 година и ове активности се спроводе под надзором.

6. Након употребе увек извучите утикач из утичнице тако што ћете руком држати утичницу. НЕ повлачите кабл за напајање.

7. Не остављајте уређај спојен на утичницу без надзора.

8. Не урањајте кабл, утикач и читав уређај у воду или друге течности. Не излажите уређај атмосферским условима (нпр. Киша, сунце итд.) Или га користите у високој влажности (у купатилу, влажним летњим кућама).

9. Редовно проверавајте стање кабла за напајање. Ако је кабл за напајање оштећен, требало би га заменити у специјализованој испостави да би се избегла опасност.

10. Немојте користити уређај са оштећеним каблом за напајање или ако је испуштен или оштећен на било који начин или не ради исправно. Немојте сами поправљати уређај јер постоји опасност од струјног удара. Оштећени уређај оставите у одговарајућем сервисном центру да би га проверили или поправили. Само оштећени могу поправити само овлашћени сервисни центри. Неправилно поправљање може довести до озбиљног ризика за корисника.

11. Уређај треба поставити на хладну, стабилну, равну површину, подаље од загревања кухињских уређаја као што су електрични штедњаци, плински пламеници итд.

12. Немојте користити уређај у близини запаљивих материјала.

13. Кабл за напајање не сме да виси преко ивице стола или додирује вруће површине.

14. Пре чишћења или након употребе извучите утикач из утичнице тако што ћете руком држати утичницу. НЕ повлачите кабл за напајање.

15. Не користите микроталасну пећницу без окретног тањира и носача окретне плоче постављене у правилан положај.

16. Микровалну пећницу користите само за кухање хране. Не користите микроталасну пећницу за сушење одеће, папира или других непрехрамбених производа. Не користите микроталасну пећницу за стерилизацију.

17. Никада не користите микровалну пећницу празну, јер то може оштетити уређај.

18. Не користите унутрашњост микровалне пећнице за складиштење било каквих производа, као што су папир, књиге итд.

19. Прехрамбени производи са дебелом кожом, као што су кромпир, јабуке или кестени, пре кувања треба пробати неколико пута.

20. Не стављајте никакве предмете у отворе на кућишту.
21. Никада не уклањајте делове микроталасне пећнице. ОПРЕЗ: Немојте уклањати поклопац.Извор за микроталасно зрачење и високи напон.
22. Никада не пеците директно на окретном столу. Увек ставите храну у јело са микроталасном пећницом.
23. Користите искључиво микроталасна јела.
24. Држите најмање 30 цм слободног простора изнад горње површине микровалне пећнице.
25. Не пржите храну у микроталасној пећници. Вруће уље може оштетити дијелове микровалне пећнице и посуђа и може оштетити вашу кожу.
26. УПОЗОРЕЊЕ: Грејана течност у контејнеру је јако врућа чак и ако посуда није врућа на додир након завршетка кувања и уклањања из микроталасне пећнице.
27. Загревање пића у микроталасној пећници може проузроковати кашњење са експлозивом - будите опрезни при руковању посудом.
28. Да бисте избегли опекотине, помешајте или протресите садржај дечијих бочица за храњење и тегле од хране за бебе, а затим проверите температуру пре сервирања.
29. Ако видите дим да искључите микроталасну пећницу, извадите утикач из утичнице и оставите врата затворена да би угасили пламен.
30. Посуђе може да се загреје услед топлоте из загрејане хране која се преноси на посуду. Приликом ношења посуђа користите одговарајућу заштиту.
31. Да бисте смањили вероватноћу појаве пожара у микроталасној пећници, следите следећа правила:
 - а. немојте кухати храну у посудама од папира, пластике или других запаљивих материјала током дужег временског периода
 - б. уклоните све металне елементе из амбалаже пре него што их ставите у микроталасну пећницу
 - ц. приликом загревања хране у пластичним или папирним контејнерима, често проверавајте микроталасну пећницу због могућности запаљења контејнера
32. УПОЗОРЕЊЕ: Ако су врата или њена заптивка оштећена, микроталасна пећница се не може користити док је не поправи квалифицирана особа.
33. УПОЗОРЕЊЕ: Све активности везане за сервисирање или поправку које укључују уклањање заштитне заштите поклопца од микровалне енергије су опасне и требају их обављати квалифицирана лица.
34. УПОЗОРЕЊЕ: Течности и остала храна не смеју се загревати у затвореним контејнерима јер могу експлодирати.
35. Микроталасна пећница је намењена за самосталну употребу. Не стављајте микроталасну пећницу у ормар.
36. Препоручује се редовно чишћење микроталасне пећнице и уклањање остатака хране.
37. Ако се микровална пећница не одржава чистом, може доћи до оштећења површине, што може негативно утицати на трајност микровалне пећнице и тако довести до опасних ситуација.

Унутрашњост микроталасне пећнице треба да буде чиста. У случају прљања унутрашњих зидова микроталасне пећнице, уклоните честице хране или проливену течност влажном крпом.

38. За тешку прљавштину користите благи детерџент. Немојте користити средства за чишћење која садрже абразиве.

39. Немојте користити средства за чишћење у облику спреја или других јаких средстава за чишћење, јер они могу замрљати, испрскати или затамнити површину микроталасне пећнице и врата.

40. Вањску површину микровалне пећнице треба очистити влажном крпом. Да бисте избегли оштећење компоненти у микроталасној пећници, водите рачуна да вода не капље кроз отворе за вентилацију.

41. Обе стране врата, прозора, заптивке врата и сусједних дијелова треба редовито брисати влажном крпом како би се уклонили остаци хране или пролирене текућине.

42. Не дозволите да се контролна табла смочи. Очистите је меком, влажном крпом. Немојте користити детерџенте, абразиве или спрејеве за чишћење за чишћење контролне табле.

43. Ако се водена пара скупи у микроталасној пећници или око врата, обришите је меком крпом. То се може десити када микровална пећница ради у увјетима високе влажности и када нема знакова квара на уређају.

44. Повремено обришите стаклени грамофон у топлој, прокуваној води или у машини за судове.

45. У микроталасној пећници не загревајте јаја у шкољкама или читавим тврдим куханим јајима. Могу експлодирати и након завршетка гријања у микровалној пећници.

46. Не додирујте вруће површине микроталасне пећнице (врата, горњи или доњи зид и бочне зидове). Користите заштитне рукавице када скидате или додиривате вруће елементе.



47. Да би се обезбиједила додатна заштита, препоручује се уградити уређај за задржавање струје (РЦД) у струјни круг, са преосталом струјом не већом од 30 mA. Обратите се професионалном електричару по овом питању.

48. УПОЗОРЕЊЕ: Тек тада дозволите деци да користе пећницу без надзора, ако су им дате одговарајуће инструкције да могу безбедно да користе пећницу и да буду свесне опасности услед неправилне употребе.

49. Метални контејнери за храну и пиће се не смеју користити у микроталасној пећници.

ОПИС УРЕЂАЈА (Сл. 1)

1. Закључавање врата
2. Прозор микроталасне пећнице
3. Подршка за грамофоне
4. Отварање врата
5. Контролни панел
6. Стаклени грамофон

КОНТРОЛНА ПЛОЧА (Сл. 2)

- 2.1. Тајмер 0-30 минута
- 2.2. Дугме за подешавање нивоа снаге

- I: ниска снага - 20%
- II: лов-медиум повер - 52%
- III: средња снага - 73%
- III: средња-висока снага - 88%
- IIII: велика снага - 100%
- ※ одмрзавање - 42%

ПРИЈЕ ПРВЕ УПОТРЕБЕ

1. Уверите се да је све амбалаже уклоњено из унутрашњости микроталасне пећнице.
2. Проверите да нема знакова оштећења, као што су савијена или искривљена врата, оштећена заптивка врата, оштећене контактне површине, напукнуте или лабаве шарке врата и резе, удубљење у микроталасној пећници или на вратима. У случају оштећења немојте користити уређај и контактирајте сервис.
3. Не излажите микроталасну пећницу високим температурама или влажношћу и не постављајте у близини запаљиве материјале.
4. Поставите микроталасну пећницу на равну, стабилну површину, која ће издржати своју тежину.
5. Не стављајте ништа на микроталасну пећницу или блокирајте или покривајте отворе за вентилацију.
6. Не уклањајте вратило окретне плоче.
7. За безбедност деце никада не остављајте уређај без надзора током рада.

УСИНГ ТХЕ ДЕВИЦЕ

1. Након стављања хране у одговарајућу посуду на стаклени окретни тањур унутар микровалне пећнице. Затворите врата микроталасне пећнице, подесите жељени ниво снаге (Сл. 2 .2) и време кувања на тајмеру (Сл. 2 .1).
- ОПРЕЗ: МИКРОВАЛОНА ПЕЋНИЦА ЋЕ ПОСТАТИ ОДРЖАВАЊЕ НАКОН ВРЕМЕНА.**
2. Ако је жељено време кувања мање од 5 минута, прво окрените дугме за тајмер ван линије од 5 минута, а затим окрените дугме тајмера да бисте подесили одговарајуће време.
 3. Ако је храна извађена из микроталасне пећнице пре истека подешеног времена програма, **УВИЈЕК УКЉУЧИТЕ НОГУ НА НУЛУ ПОЗИЦИЈУ.**
 4. Да бисте зауставили микроталасну пећницу, окрените дугме тимера у нулти положај. Ако се врата микровалне пећнице отворе тијekom процеса кувања, микровална пећница ће аутоматски престати радити. Поновно затварање врата аутоматски ће поново покренути микроталасну пећницу према претходним поставкама. Ако преостало време на тајмеру није потребно, окрените дугме за тајмер назад у нулти положај.
- ОПРЕЗ: УПОТРЕБА МИКРОВАЛОНЕ ПЕЋИ БЕЗ БИЛО КОЈЕ ХРАНЕ УНУТРА МОЖЕ ОШТЕЋИТИ УРЕЂАЈ.**

ЧИШЋЕЊЕ И ОДРЖАВАЊЕ

1. Микроталасну пећницу треба редовно чистити и остатке хране треба редовно уклањати. Остављање неочишћене микровалне пећнице може проузроковати оштећење површине, што може негативно утијецати на животни вијек уређаја и довести до опасних ситуација.
2. Прије чишћења искључите микровалну пећницу и извучите утикач из утичнице.
3. Унутрашњост микроталасне пећнице треба да буде чиста. У случају прљања унутрашњих зидова микроталасне пећнице, уклоните честице хране или проливену течност влажном крпом.
4. За тешку прљавштину користите благи детерџент. Немојте користити средства за чишћење која садрже абразиве.
5. Немојте користити средства за чишћење у облику спреја или других јаких средстава за чишћење, јер они могу замрљати, испрскати или затамнити површину микроталасне пећнице и врата.
6. Спољашњу површину микроталасне пећнице треба очистити влажном крпом. Да бисте избегли оштећење компоненти у микроталасној пећници, водите рачуна да вода не капље кроз отворе за вентилацију.
7. Обе стране врата, прозора, бртве врата и сусједних дијелова треба редовно брисати влажном крпом како би се уклонили остаци хране или пролирене текућине.
8. Не дозволите да се контролна табла смочи. Очистите је меком, влажном крпом. Немојте користити детерџенте, абразиве или спрејеве за чишћење за чишћење контролне табле.
9. Ако се водена пара скупи у микроталасној пећници или око врата, обришите је меком крпом. То се може десити када микровална пећница ради у увјетима високе влажности и када нема знакова квара на уређају.
10. Повремено обришите стаклени грамофон у топлој, прокуваној води или у машини за судове.
11. Да бисте избегли претерану buku током рада микроталасне пећнице, редовно чистите носач окретне плоче и базу унутрашњости микроталасне пећнице. За то можете користити благи детерџент, средство за чишћење воде или прозора. Носач окретне плоче може се опрати у млакој води или у перилици посуђа. Након чишћења носача окретне плоче пазите да је исправно постављен на мјесту прије чишћења.
12. Паре из куване хране или течности могу се сакупити током кувања. Међутим, то не утиче на површину унутрашњости микроталасне пећнице и на носач прстена.
13. Да бисте уклонили све преостале мирисе након кувања, ставите мјешавину воде и лимуновог сока или воде и огуљеног лимуна у микровалну пећницу у микровалној пећници. Загрејте ову мешавину 5 минута, а затим обришите унутрашњост микроталасне пећнице меком крпом.
14. **УПОЗОРЕЊЕ:** Уређај се не може очистити парним усисивачем

ТЕХНИЧКИ ПОДАЦИ:

Извор напајања: 230-240 В ~50Хз

Максимална снага: 1100 В

Микроталасна снага: 700 В

Фреквенција: 2450 Мхз

Капацитет микроталасне пећнице: 20 литара



За заштиту животне средине: молимо вас да одвојите картонске кутије и пластичне кесе и одложите их у одговарајуће канте за смеће. Коришћени уређај треба да буде испоручен на наменске сакупљане тачке због оштрих компоненти, што може утицати на животну средину. Немојте одлагати овај уређај у заједничку корпу за отпатке.

ČESKY

OBCENÉ BEZPEČNOSTNÍ PODMÍNKY DŮLEŽITÉ POKYNY K BEZPEČNOSTI POUŽÍVÁNÍ PROSÍM ČTĚTE POZORNĚ A UCHOVÁVEJTE PRO BUDOUCÍ REFERENCE

1. Před prvním použitím přístroje si přečtete návod k použití a postupujte podle pokynů v něm obsažených. Výrobce neodpovídá za škody způsobené použitím zařízení jinými než určenými nebo nesprávným použitím zařízení.
2. Přístroj je určen pouze pro domácí použití. Nepoužívejte k jiným než určeným účelům.
3. Zařízení by mělo být připojeno pouze k uzemňovací zásuvce 230-240V ~50Hz. Pro zvýšení bezpečnosti není současně připojeno více elektrických zařízení do jednoho napájecího obvodu.
4. Při používání přístroje je třeba věnovat zvláštní pozornost, pokud jsou v blízkosti děti. Nedovolte, aby děti se zařízením hrály. Nedovolte dětem nebo osobám, které s tímto přístrojem nejsou známé, aby je obsluhovaly.
5. **UPOZORNĚNÍ: Toto zařízení může používat děti pod 8 let věku a osoby se sníženými fyzickými, smyslovými nebo duševními schopnostmi nebo osoby bez zkušenosti nebo znalosti přístroje pouze pod dohledem osoby odpovědné za jejich bezpečnost nebo pokud byli poučeni o bezpečném používání zařízení a jsou si vědomi nebezpečí souvisejících s jeho provozem. Děti by se zařízením neměly hrát. Čištění a údržbu zařízení by neměly provádět děti, pokud nejsou starší 8 let a tyto činnosti jsou prováděny pod dohledem.**
6. Po použití vždy vytáhněte zástrčku ze zásuvky tím, že ji držíte rukama. **NEPOUŽÍVEJTE** napájecí šňůru.
7. Nenechávejte zařízení připojené k zásuvce bez dozoru.
8. Neponořujte kabel, zástrčku a celé zařízení do vody nebo jiných kapalin. Nevystavujte přístroj atmosférickým podmínkám (např. Dešti, slunci apod.) Nebo ho používejte s vysokou vlhkostí (v koupelně, vlhkých letních domech).
9. Pravidelně kontrolujte stav napájecího kabelu. Pokud je napájecí šňůra poškozená, měla by být vyměněna v odborném servisu, aby se předešlo nebezpečí.
10. Přístroj nepoužívejte s poškozeným napájecím kabelem nebo pokud byl někdy spadl nebo byl poškozen nebo nefunguje správně. Zařízení neopravujte sami, protože hrozí nebezpečí úrazu elektrickým proudem. Nechte poškozené zařízení v příslušném servisním středisku zkontrolovat nebo opravit. Každá škoda může opravit pouze autorizované servisní středisko. Nesprávná oprava může způsobit vážné riziko pro uživatele.
11. Přístroj by měl být umístěn na chladném, stabilním, rovnoměrném povrchu, který by

byl mimo dosah topení kuchyňských spotřebičů, jako jsou elektrické sporáky, plynové hořáky apod.

12. Nepoužívejte zařízení v blízkosti hořlavých materiálů.

13. Napájecí kabel nesmí viset přes okraj stolu nebo se dotýkat horkých povrchů.

14. Před čištěním nebo po použití vyjměte zástrčku ze zásuvky držením zásuvky rukou. **NEPOUŽÍVEJTE** napájecí šňůru.

15. Nepoužívejte mikrovlnnou troubu bez otočného talíře a držáku otočného talíře ve správné poloze.

16. Používejte pouze mikrovlnnou troubu k vaření jídla. Nepoužívejte mikrovlnnou troubu k sušení oděvů, papíru nebo jiných nepotravinářských předmětů. Mikrovlnnou troubu nepoužívejte k sterilizaci.

17. Nikdy nepoužívejte mikrovlnnou troubu prázdnou, protože by mohlo dojít k poškození zařízení.

18. Nepoužívejte interiér mikrovlnné trouby k ukládání produktů, jako jsou například papír, knihy apod.

19. Potravinářské výrobky s hustou kůží, jako jsou brambory, jablka nebo kaštiny, by měly být před vařením několikrát propíchnuty.

20. Nepokládejte žádné předměty do otvorů ve skříni.

21. Nikdy neodstraňujte žádné části mikrovlnné trouby. **UPOZORNĚNÍ:** Neodstraňujte kryt. Zdroj pro mikrovlnné záření a vysoké napětí.

22. Nikdy nevarujte přímo na točnici. Vždy umístěte potravinu do mikrovlnné trouby.

23. Používejte pouze mikrovlnnou troubu.

24. Udržujte minimálně 30 cm volného místa nad horní plochou mikrovlnné trouby.

25. Smažte potraviny v mikrovlnné troubě. Horký olej může poškodit části mikrovlnné trouby a nádobí a může poškodit pokožku.

26. **UPOZORNĚNÍ:** Vyhřívání kapalina v nádobě je velmi horká, i když nádoba není horká na dotyk po dokončení vaření a vyjmutí z mikrovlnné trouby.

27. Vytápění nápojů v mikrovlnné troubě může způsobit zpoždění výbušného varu - buďte opatrní při manipulaci s nádobou.

28. Aby nedošlo k popáleninám, míste nebo protřepte obsah dětských láhví a džbánů pro kojence, pak zkontrolujte teplotu před podáváním.

29. Pokud vidíte kouř, vypněte mikrovlnnou troubu, vytáhněte zástrčku ze zásuvky a nechte dveře zavřené, aby se plameny potlačily.

30. Jídla se mohou zahřát v důsledku tepla z ohřívání jídla přenášejícího na misku. Při použití nádobí používejte vhodnou ochranu.

31. Chcete-li snížit pravděpodobnost požáru v mikrovlnné troubě, dodržujte následující pravidla:

A. nevařte potraviny v nádobách z papíru, plastu nebo jiných hořlavých materiálů po delší dobu

b. vyjměte všechny kovové prvky z obalu před jejich umístěním do mikrovlnné trouby

C. při ohřevu potravin v plastových nebo papírových nádobách často zkontrolujte mikrovlnnou troubu kvůli možnému ohni kontejneru

32. UPOZORNĚNÍ: Pokud jsou dveře nebo jejich těsnění poškozené, mikrovlnná trouba nemůže být používána, dokud není opravována kvalifikovanou osobou.
33. UPOZORNĚNÍ: Jakékoliv činnosti týkající se opravy nebo opravy spojené s odstraněním krytu proti mikrovlnné energii jsou nebezpečné a měly by být prováděny kvalifikovanými osobami.
34. UPOZORNĚNÍ: Tekutiny a jiné potraviny nesmí být ohřívány v uzavřených kontejnerech, protože mohou explodovat.
35. Mikrovlnná trouba je určena pro samostatné použití. Neumísťujte mikrovlnnou troubu do skříně.
36. Doporučuje se pravidelné čištění mikrovlnné trouby a odstraňování zbytků jídla.
37. Nedodržení čistoty mikrovlnné trouby může způsobit zhoršení povrchu, což může negativně ovlivnit životnost mikrovlnné trouby a vést tak k nebezpečným situacím. Vnitřní část mikrovlnné trouby by měla být čistá. V případě znečištění vnitřních stěn mikrovlnné trouby odstraňte částečky jídla nebo rozlití kapaliny vlhkým hadříkem.
38. Při těžkých nečistotách použijte jemný prací prostředek. Nepoužívejte čisticí prostředky obsahující brusiva.
39. Nepoužívejte čisticí prostředky ve spreji ani jiné silné čisticí prostředky, protože by mohly skvrnit, pruhovat nebo otupit povrch mikrovlnné trouby a dveří.
40. Vnější povrch mikrovlnné trouby by měl být čištěn vlhkým hadříkem. Aby nedošlo k poškození součástek uvnitř mikrovlnné trouby, ujistěte se, že ve ventilačních otvorech uvnitř neteče žádná voda.
41. Obě strany dveří, okna, těsnění dveří a přilehlých částí by měly být pravidelně ořeny vlhkým hadříkem, aby se odstranily zbytky potravin nebo rozlité kapaliny.
42. Nedovolte, aby se ovládací panel namočil. Očistěte ji měkkým, navlhčeným hadříkem. Nepoužívejte k čištění ovládacího panelu čisticí prostředky, brusiva nebo čisticí spreje.
43. Pokud se vodní pára shromažďuje uvnitř mikrovlnné trouby nebo kolem dveří, otřete ji měkkým hadříkem. To se může stát, když je mikrovlnná trouba provozována v prostředí s vysokou vlhkostí a pokud nejsou v zařízení žádné známky poruchy.
44. Skleněný talíř pravidelně čistit v teplé, vařené vodě nebo v myčce nádobí.
45. V mikrovlnné troubě neohřívejte vejce v skořápkách nebo vcelku tvrdé vajíčka. Mohou explodovat i po dokončení ohřevu v mikrovlnné troubě.
46. Nedotýkejte se horkých povrchů mikrovlnné trouby (dveře, horní nebo dolní stěna a  boční stěny). Při odstraňování nebo dotyku horkých prvků používejte ochranné rukavice.
47. Aby byla zajištěna dodatečná ochrana, doporučuje se instalovat zbytkový proudový obvod (RCD) do napájecího obvodu se zbytkovým proudem nejvýše 30 mA. Kontaktujte profesionálního elektrikáře v této věci.
48. UPOZORNĚNÍ: Pouze potom nechte děti používat troubu bez dohledu, pokud jim byly dány řádné pokyny, aby mohli bezpečně používat troubu a uvědomit si nebezpečí vyplývající z nesprávného použití.
49. Kovové nádoby na potraviny a nápoje nesmí být používány v mikrovlnné troubě.

POPIS ZAŘÍZENÍ (obr. 1)

1. Zámek dveří
2. Okno mikrovlnné trouby
3. Sada podpory otočného stolu
4. Otevření dveří
5. Ovládací panel
6. Skleněný gramofon

OVLÁDACÍ PANEĽ (obr. 2)

- 2.1. Časovač 0-30 minut
 - 2.2. Knoflík pro nastavení úrovně výkonu
- I: nízký výkon - 20%
- II: nízký-střední výkon - 52%
- III: střední výkon - 73%
- III: středně vysoký výkon - 88%
- IIII: vysoký výkon - 100%
- ✳️ odmrazování - 42%

PŘED PRVNÍM POUŽITÍM

1. Ujistěte se, že všechny obaly byly odstraněny zevnitř mikrovlnné trouby.
2. Zkontrolujte, zda nejsou žádné známky poškození, jako jsou ohnuté nebo deformované dveře, poškozené dveřní těsnění, poškozená kontaktní plocha, prasklé nebo uvolněné závěsy a západky dveří, zuby v mikrovlnné troubě nebo dveří. V případě poškození zařízení nepoužívejte a kontaktujte servis.
3. Nevystavujte mikrovlnnou troubu vysokým teplotám nebo vlhkosti a neumísťujte v blízkosti hořlavých materiálů.
4. Zavřete mikrovlnnou troubu na rovný a stabilní povrch, který bude odolat její hmotnosti.
5. Neumisťujte na mikrovlnnou troubu žádné předměty nebo neuklopte nebo nepokládejte větrací otvory.
6. Neodstraňujte hřídel talíře.
7. Za účelem bezpečnosti dětí nikdy neopouštějte přístroj během provozu.

POUŽITÍ ZAŘÍZENÍ

1. Po vložení jídla do příslušné misky na skleněném gramofonu uvnitř mikrovlnné trouby. Zavřete dvířka mikrovlnné trouby, nastavte požadovanou úroveň výkonu (obr. 2 .2) a dobu vaření na časovači (obr. 2 .1).

UPOZORNĚNÍ: MIKROVLNNÁ TROUBA BUDE PŘIPRAVOVAT POUŽITÍ BEZPEČNOSTNÍHO POSTUPU.

2. Pokud je požadovaný čas vaření kratší než 5 minut, nejdříve otočte knoflíkem časovače mimo 5minutovou linku a otočte knoflíkem časovače zpět a nastavte vhodný čas.

3. Pokud byla potravina vyjmuta z mikrovlnné trouby dříve, než uplyne nastavená doba programu, **VŽDY OTOČTE KNOB DO ZERO POLOHY.**

4. Chcete-li zastavit mikrovlnnou troubu, otočte knoflík časovače do nulové polohy. Pokud jsou během mikrovlnné trouby otevřeny dveře mikrovlnné trouby, mikrovlnná trouba automaticky přestane pracovat. Znovu zavření dveří automaticky znovu spustí mikrovlnnou troubu podle předchozích nastavení. Pokud zbývající čas na časovači není zapotřebí, otočte knoflík časovače zpět do nulové polohy.

UPOZORNĚNÍ: POUŽÍVÁNÍ MIKROVLNNÉ TROUBY BEZ JAKÉKOLIV POTRAVIN VNITŘNÍM MŮŽE POŠKOZOVAT ZAŘÍZENÍ.

ČIŠTĚNÍ A ÚDRŽBA

1. Mikrovlnná trouba by měla být pravidelně čistěna a zbytky jídla by měly být pravidelně odstraňovány. Opuštění nepoužité mikrovlnné trouby může způsobit poškození povrchu, což může negativně ovlivnit životnost zařízení a vést k nebezpečným situacím.
2. Před čištěním vypněte mikrovlnnou troubu a vytáhněte zástrčku ze zásuvky.
3. Vnitřní část mikrovlnné trouby by měla být čistá. V případě znečištění vnitřních stěn mikrovlnné trouby odstraňte částičky jídla nebo rozlité kapaliny vlhkým hadříkem.
4. Při těžkých nečistotách používejte slabý prací prostředek. Nepoužívejte čisticí prostředky obsahující brusiva.
5. Nepoužívejte čisticí prostředky ve spreji ani jiné silné čisticí prostředky, protože by mohly skvrnit, pruhovat nebo otupit povrch mikrovlnné trouby a dveří.
6. Vnější povrch mikrovlnné trouby by měl být čistěn vlhkým hadříkem. Aby nedošlo k poškození součástek uvnitř mikrovlnné trouby, ujistěte se, že ve ventilačních otvorech uvnitř neteče žádná voda.
7. Obě strany dveří, okna, těsnění dveří a přilehlých částí by měly být pravidelně očištěny vlhkým hadříkem, aby se odstranily zbytky jídla nebo rozlité kapaliny.
8. Nedovolte, aby byl ovládací panel navlhčen. Očistěte ji měkkým, navlhčeným hadříkem. Nepoužívejte k čištění ovládacího panelu čisticí prostředky, brusiva nebo čisticí spreje.
9. Pokud se vodní pára shromažďuje uvnitř mikrovlnné trouby nebo kolem dveří, oťete ji měkkým hadříkem. To se může stát, když je mikrovlnná trouba provozována v prostředí s vysokou vlhkostí a pokud nejsou v zařízení žádné známky poruchy.
10. Pravidelně čistěte skleněný talíř v teplé, vařené vodě nebo v myčce nádobí.
11. Aby se zabránilo nadměrnému hluku během provozu mikrovlnné trouby, pravidelně čistěte podporu otočného stolu a základnu mikrovlnné trouby. K tomu můžete použít jemný čisticí prostředek, čistič vody nebo okna. Nosič otočného stolu může být omyt vlažnou vodou nebo v myčce nádobí. Po čištění nosiče otočného talíře se ujistěte, že byl správně namontován tam, kde byl před čištěním odstraněn.

12. Během vaření se mohou vybírat páry z vařených potravin nebo kapaliny. To však neovlivňuje povrch vnitřku mikrovlnné trouby a podpěrného kroužku otočného talíře.
13. Chcete-li odstranit zbytky zápachu po vaření, vložte do mikrovlnné trouby mikrovlnnou troubu směs vody a citronové šťávy nebo vody a citronové kůry. Tato směs zahřejte po dobu 5 minut, poté otřete vnitřní prostor mikrovlnné trouby měkkým hadříkem.
14. **VÝSTRAHA:** Přístroj nelze vyčistit pomocí parního vysavače

TECHNICKÁ DATA:

Napájecí zdroj: 230-240V ~50Hz
Maximální výkon: 1100 W
Mikrovlnný výkon: 700 W
Frekvence: 2450 MHz
Kapacita mikrovlnné trouby: 20 litrů



Ochrana životního prostředí. Kartón odevzdejte do sběru. Polyetylenové sáčky (PE) vyhazujte do kontejneru na plasty. Vysloužilý přístroj odevzdejte do příslušného sběrného dvoru, protože některé části zařízení mohou představovat pro životní prostředí nebezpečí. Elektrický přístroj odevzdejte tak, aby se omezilo jeho opětovné používání. Pokud jsou v přístroji baterie, vyjměte je a odevzdejte do příslušného sběrného místa zvlášť. Přístroj nevyhazujte do popelnice ani kontejneru na směsný odpad!!

ΕΛΛΗΝΙΚΑ

ΓΕΝΙΚΕΣ ΠΡΟΫΠΟΘΕΣΕΙΣ ΑΣΦΑΛΕΙΑΣ

ΣΗΜΑΝΤΙΚΕΣ ΟΔΗΓΙΕΣ ΓΙΑ ΤΗΝ ΑΣΦΑΛΕΙΑ ΧΡΗΣΗΣ ΠΑΡΑΚΑΛΩ ΔΙΑΒΑΣΤΕ ΠΡΟΣΕΚΤΙΚΑ ΚΑΙ ΚΡΑΤΗΣΤΕ ΓΙΑ ΜΕΛΛΟΝΤΙΚΗ ΑΝΑΦΟΡΑ

1. Πριν από την πρώτη χρήση της συσκευής, διαβάστε το εγχειρίδιο οδηγιών και ακολουθήστε τις οδηγίες που περιέχει. Ο κατασκευαστής δεν ευθύνεται για ζημιές που προκλήθηκαν από τη χρήση της συσκευής για σκοπούς διαφορετικούς από αυτούς που προορίζονται ή λόγω εσφαλμένης χρήσης της συσκευής.
2. Η συσκευή προορίζεται μόνο για οικιακή χρήση. Μη χρησιμοποιείτε για άλλους σκοπούς εκτός από τους προβλεπόμενους.
3. Η συσκευή πρέπει να συνδέεται μόνο σε μια πρίζα γείωσης 230-240V ~50Hz. Για να αυξήσετε την ασφάλεια, μην συνδέετε ταυτόχρονα πολλές ηλεκτρικές συσκευές σε ένα κύκλωμα ισχύος.
4. Προσέξτε ιδιαίτερα όταν χρησιμοποιείτε τη συσκευή εάν υπάρχουν παιδιά κοντά. Μην επιτρέπετε στα παιδιά να παίζουν με τη συσκευή. Μην επιτρέπετε σε παιδιά ή άτομα που δεν είναι εξοικειωμένα με τη συσκευή να το χειρίζονται.
5. **ΠΡΟΕΙΔΟΠΟΙΗΣΗ:** Αυτή η συσκευή μπορεί να χρησιμοποιηθεί από παιδιά ηλικίας άνω των 8 ετών και άτομα με μειωμένες σωματικές, αισθητηριακές ή διανοητικές ικανότητες ή άτομα χωρίς εμπειρία ή γνώση της συσκευής μόνο υπό την επίβλεψη ενός προσώπου υπεύθυνου για την ασφάλειά τους ή εάν είχαν ενημερωθεί για την ασφαλή χρήση της συσκευής και έχουν επίγνωση των κινδύνων που συνδέονται με τη λειτουργία της. Τα παιδιά δεν πρέπει να παίζουν με τη συσκευή. Ο καθαρισμός και η συντήρηση της συσκευής δεν πρέπει να πραγματοποιούνται από παιδιά, εκτός αν είναι άνω των 8 ετών και οι δραστηριότητες αυτές εκτελούνται υπό επίβλεψη.
6. Μετά τη χρήση, αφαιρέστε πάντα το βύσμα από την πρίζα κρατώντας την πρίζα με το χέρι σας. ΜΗΝ τραβάτε το καλώδιο τροφοδοσίας.
7. Μην αφήνετε τη συσκευή συνδεδεμένη στην πρίζα χωρίς επιτήρηση.
8. Μην βυθίζετε το καλώδιο, το βύσμα και ολόκληρη τη συσκευή σε νερό ή άλλα υγρά. Μην εκθέτετε τη συσκευή σε ατμοσφαιρικές συνθήκες (π.χ. βροχή, ήλιο κ.λπ.) ή τη

χρησιμοποιείτε σε υψηλή υγρασία (στο μπάνιο, σε υγρές καλοκαιρινές κατοικίες).

9. Ελέγχετε τακτικά την κατάσταση του καλώδιου τροφοδοσίας. Εάν το καλώδιο τροφοδοσίας είναι κατεστραμμένο, πρέπει να αντικατασταθεί σε εξειδικευμένη πρίζα επισκευής για να αποφύγετε τον κίνδυνο.

10. Μην χρησιμοποιείτε τη συσκευή με φθαρμένο καλώδιο τροφοδοσίας ή εάν έχει πέσει ή καταστραφεί με οποιονδήποτε τρόπο ή δεν λειτουργεί σωστά. Μην επισκευάζετε τη συσκευή μόνοι σας, καθώς υπάρχει κίνδυνος ηλεκτροπληξίας. Αφήστε την κατεστραμμένη συσκευή στο κατάλληλο κέντρο σέρβις για έλεγχο ή επισκευή. Μόνο εξουσιοδοτημένα κέντρα εξυπηρέτησης μπορούν να επιδιορθώσουν οποιαδήποτε ζημιά Η ακατάλληλη επισκευή μπορεί να προκαλέσει σοβαρό κίνδυνο για τον χρήστη.

11. Η συσκευή πρέπει να τοποθετείται σε δροσερή, σταθερή, επίπεδη επιφάνεια, μακριά από συσκευές θέρμανσης όπως ηλεκτρικές κουζίνες, καυστήρες αερίου κλπ.

12. Μην χρησιμοποιείτε τη συσκευή κοντά σε εύφλεκτα υλικά.

13. Το καλώδιο τροφοδοσίας μπορεί να μην κρεμάσει πάνω από την άκρη ενός πίνακα ή να αγγίξει θερμές επιφάνειες.

14. Πριν καθαρίσετε ή μετά τη χρήση, βγάλτε το φιν από την πρίζα κρατώντας την πρίζα με το χέρι σας. ΜΗΝ τραβάτε το καλώδιο τροφοδοσίας.

15. Μην χρησιμοποιείτε τον φούρνο μικροκυμάτων χωρίς την περιστρεφόμενη βάση και την υποστήριξη της πλατφόρμας στη σωστή θέση.

16. Χρησιμοποιείτε μόνο το φούρνο μικροκυμάτων για το μαγείρεμα των τροφίμων. Μην χρησιμοποιείτε το φούρνο μικροκυμάτων για να στεγνώσετε ρούχα, χαρτί ή άλλα αντικείμενα που δεν προορίζονται για φαγητό. Μην χρησιμοποιείτε το φούρνο μικροκυμάτων για σκοπούς αποστείρωσης.

17. Μην χρησιμοποιείτε ποτέ το φούρνο μικροκυμάτων άδειο, καθώς μπορεί να προκληθεί βλάβη στη συσκευή.

18. Μην χρησιμοποιείτε το εσωτερικό του φούρνου μικροκυμάτων για την αποθήκευση προϊόντων, όπως χαρτιού, βιβλίων κλπ.

19. Τα τρόφιμα με παχύ δέρμα, όπως πατάτες, μήλα ή κάστανα, θα πρέπει να τρυπηθούν αρκετές φορές πριν από το μαγείρεμα.

20. Μην τοποθετείτε αντικείμενα στα ανοίγματα του περιβλήματος.

21. Ποτέ μην αφαιρείτε τα μέρη του φούρνου μικροκυμάτων. ΠΡΟΣΟΧΗ: Μην αφαιρείτε το κάλυμμα. Πηγή για ακτινοβολία μικροκυμάτων και υψηλή τάση.

22. Ποτέ μην μαγειρεύετε απευθείας στο πικάπ. Πάντοτε τοποθετείτε το φαγητό σε ένα πιάτο ασφαλές σε φούρνο μικροκυμάτων.

23. Χρησιμοποιείτε μόνο πιάτα με φούρνο μικροκυμάτων.

24. Κρατήστε τουλάχιστον 30cm ελεύθερου χώρου πάνω από την επάνω επιφάνεια του φούρνου μικροκυμάτων.

25. Μην τηγανίζετε τρόφιμα στο φούρνο μικροκυμάτων. Το καυτό λάδι μπορεί να προκαλέσει ζημιά στα μέρη του φούρνου μικροκυμάτων και στο πιάτο και μπορεί να καταστρέψει το δέρμα σας.

26. ΠΡΟΕΙΔΟΠΟΙΗΣΗ: Το θερμαινόμενο υγρό σε ένα δοχείο είναι πολύ ζεστό, ακόμη και αν ο περιέκτης δεν είναι ζεστός για να αγγίξει μετά το πέρας του μαγειρέματος και την

αφαίρεση του από το φούρνο μικροκυμάτων.

27. Τα ποτά θέρμανσης σε φούρνο μικροκυμάτων ενδέχεται να προκαλέσουν βραδύτητα εκρηκτικού βρασμού - προσέξτε όταν χειρίζεστε το δοχείο.

28. Για να αποφύγετε τα εγκαύματα, αναμείξτε ή ανακινήστε τα περιεχόμενα των μπουκαλιών τροφοδοσίας των παιδιών και των βάζων των παιδικών τροφών και, στη συνέχεια, ελέγξτε τη θερμοκρασία πριν το σερβίρετε.

29. Εάν δείτε τον καπνό να σβήσει ο φούρνος μικροκυμάτων, βγάλτε το βύσμα από την πρίζα και αφήστε την πόρτα κλειστή για να καταπνίξετε τις φλόγες.

30. Τα πιάτα μπορεί να θερμανθούν ως αποτέλεσμα της θερμότητας από το θερμό τρόφιμο που μεταφέρεται στο πιάτο. Χρησιμοποιείτε κατάλληλη προστασία όταν μεταφέρετε τα πιάτα.

31. Για να μειώσετε την πιθανότητα πυρκαγιάς στο φούρνο μικροκυμάτων, ακολουθήστε τους ακόλουθους κανόνες:

ένα. μην μαγειρεύετε τα τρόφιμα σε δοχεία από χαρτί, πλαστικό ή άλλα εύφλεκτα υλικά για μεγάλο χρονικό διάστημα

σι. αφαιρέστε όλα τα μεταλλικά στοιχεία από τη συσκευασία πριν τα τοποθετήσετε στο φούρνο μικροκυμάτων

ντο. όταν θερμαίνετε τα τρόφιμα σε πλαστικά ή χάρτινα δοχεία, ελέγξτε συχνά το φούρνο μικροκυμάτων λόγω της πιθανότητας πυρκαγιάς του δοχείου

32. ΠΡΟΕΙΔΟΠΟΙΗΣΗ: Εάν η πόρτα ή η σφραγίδα της είναι φθαρμένη, ο φούρνος μικροκυμάτων δεν μπορεί να χρησιμοποιηθεί μέχρι να επισκευαστεί από ειδικευμένο άτομο.

33. ΠΡΟΕΙΔΟΠΟΙΗΣΗ: Οποιοσδήποτε δραστηριότητες επισκευής ή συντήρησης που συνεπάγονται την αφαίρεση της προστατευτικής καλύπτρας από την ενέργεια μικροκυμάτων είναι επικίνδυνες και θα πρέπει να διεξάγονται από ειδικευμένα άτομα.

34. ΠΡΟΕΙΔΟΠΟΙΗΣΗ: Τα υγρά και άλλα τρόφιμα δεν πρέπει να θερμαίνονται σε σφραγισμένα δοχεία καθώς ενδέχεται να εκραγούν.

35. Ο φούρνος μικροκυμάτων προορίζεται για αυτόνομη χρήση. Μην τοποθετείτε το φούρνο μικροκυμάτων σε ένα ντουλάπι.


36. Συνιστάται ο τακτικός καθαρισμός του φούρνου μικροκυμάτων και η αφαίρεση υπολειμμάτων τροφίμων.

37. Η μη τήρηση καθαρού φούρνου μικροκυμάτων μπορεί να προκαλέσει αλλοίωση της επιφάνειας, η οποία μπορεί να επηρεάσει δυσμενώς την ανθεκτικότητα του φούρνου μικροκυμάτων και να οδηγήσει σε επικίνδυνες καταστάσεις.

Το εσωτερικό του φούρνου μικροκυμάτων θα πρέπει να διατηρείται καθαρό. Σε περίπτωση βρωμιάς των εσωτερικών τοιχωμάτων του φούρνου μικροκυμάτων, αφαιρέστε τα σωματίδια τροφίμων ή τις διαρροές υγρών με ένα υγρό πανί.

38. Για βαριά βρωμιά χρησιμοποιήστε ένα ήπιο απορρυπαντικό. Μη χρησιμοποιείτε καθαριστικά που περιέχουν λειαντικά.

39. Μην χρησιμοποιείτε καθαριστικά σε μορφή ψεκασμού ή άλλους ισχυρούς καθαριστικούς παράγοντες, καθώς μπορεί να λεκιάσουν, να ράψουν ή να αμυλώσουν την επιφάνεια του φούρνου μικροκυμάτων και της πόρτας.

40. Η εξωτερική επιφάνεια του φούρνου μικροκυμάτων πρέπει να καθαρίζεται με ένα υγρό πανί. Για να αποφύγετε τη ζημιά στα εξαρτήματα μέσα στον φούρνο μικροκυμάτων, βεβαιωθείτε ότι δεν διέρχεται νερό μέσα από τις οπές εξαερισμού στο εσωτερικό.
41. Και οι δύο πλευρές της πόρτας, του παραθύρου, της στεγανοποίησης της πόρτας και των παρακείμενων τμημάτων πρέπει να σκουπίζονται τακτικά με ένα υγρό πανί για να αφαιρεθούν τυχόν υπολείμματα τροφίμων ή χυμένα υγρά.
42. Μην αφήνετε τον πίνακα ελέγχου να βρέξει. Καθαρίστε το με ένα μαλακό, υγρό πανί. Μη χρησιμοποιείτε απορρυπαντικά, λειαντικά ή σπρέι καθαρισμού για να καθαρίσετε τον πίνακα ελέγχου.
43. Εάν οι υδρατμοί συλλέγονται μέσα στο φούρνο μικροκυμάτων ή γύρω από την πόρτα, σκουπίστε το με ένα μαλακό πανί. Αυτό μπορεί να συμβεί όταν ο φούρνος μικροκυμάτων λειτουργεί σε συνθήκες υψηλής υγρασίας και όταν δεν υπάρχουν ενδείξεις βλάβης στη συσκευή.
44. Καθαρίζετε τακτικά το γυάλινο περιστρεφόμενο δίσκο σε ζεστό, βραστό νερό ή στο πλυντήριο πιάτων.
45. Μην θερμαίνετε τα αυγά με τα κελύφη ή τα ολόκληρα ψημένα αυγά στον φούρνο μικροκυμάτων. Μπορούν να εκραγούν ακόμα και μετά την ολοκλήρωση της θέρμανσης στον φούρνο μικροκυμάτων.
46. Μην αγγίζετε τις θερμές επιφάνειες του φούρνου μικροκυμάτων (την πόρτα, τον τοίχο  επάνω ή κάτω και τα πλευρικά τοιχώματα). Χρησιμοποιείτε προστατευτικά γάντια όταν αφαιρείτε ή αγγίζετε οποιαδήποτε θερμά στοιχεία.
47. Προκειμένου να παρέχεται πρόσθετη προστασία, συνιστάται η εγκατάσταση συσκευής ρεύματος υπολειμμάτων (RCD) στο κύκλωμα ισχύος, με υπολειμματική ονομαστική τιμή ρεύματος όχι μεγαλύτερη από 30 mA. Επικοινωνήστε με τον επαγγελματία ηλεκτρολόγο σε αυτό το θέμα.
48. ΠΡΟΣΟΧΗ: Μόνο τότε επιτρέπεται στα παιδιά να χρησιμοποιούν το φούρνο χωρίς επίβλεψη όταν τους έχουν δοθεί σωστές οδηγίες ώστε να μπορούν να χρησιμοποιήσουν τον φούρνο με ασφάλεια και να γνωρίζουν τους κινδύνους που προκύπτουν από ακατάλληλη χρήση.
49. Οι μεταλλικοί περιέκτες τροφίμων και ποτών δεν επιτρέπεται να χρησιμοποιούνται σε φούρνο μικροκυμάτων.

ΠΕΡΙΓΡΑΦΗ ΤΗΣ ΣΥΣΚΕΥΗΣ (Σχήμα 1)

1. Κλειδίωμα πόρτας
2. Παράθυρο φούρνου μικροκυμάτων
3. Σετ υποστήριξης πινάκων
4. Άνοιγμα της πόρτας
5. Πίνακας ελέγχου
6. Γυάλινο πικάπ

ΠΙΝΑΚΑΣ ΕΛΕΓΧΟΥ (Εικ. 2)

- 2.1. Χρονοδιακόπτης 0-30 Λεπτά
 - 2.2. Κουμπί ρύθμισης του επιπέδου ισχύος
- I: χαμηλή ισχύς - 20%
II: μέση ισχύς - 52%
III: μέση ισχύς - 73%
III: μέση-υψηλή ισχύς - 88%
IIII: υψηλή ισχύς - 100%

ΠΡΙΝ ΤΗΝ ΠΡΩΤΗ ΧΡΗΣΗ

1. Βεβαιωθείτε ότι όλες οι συσκευασίες έχουν αφαιρεθεί από το εσωτερικό του φούρνου μικροκυμάτων.
2. Βεβαιωθείτε ότι δεν υπάρχουν σημάδια ζημιάς, όπως λυγισμένη ή στρεβλωμένη πόρτα, χαλασμένες σφραγίδες της πόρτας, κατεστραμμένη επιφάνεια επαφής, σπασμένες ή χαλαρές μεντεσέδες και μάνδρα πόρτας, χαλαρώστε στο φούρνο μικροκυμάτων ή στην πόρτα. Σε περίπτωση βλάβης, μην χρησιμοποιείτε τη συσκευή και επικοινωνήστε με το τμήμα σέρβις.
3. Μην εκθέτετε το φούρνο μικροκυμάτων σε υψηλές θερμοκρασίες ή υγρασία και μην τοποθετείτε κοντινά εύφλεκτα υλικά.
4. Τοποθετήστε το φούρνο μικροκυμάτων σε μια επίπεδη, σταθερή επιφάνεια, η οποία θα αντέξει το βάρος του.
5. Μην τοποθετείτε τίποτα στην κορυφή του φούρνου μικροκυμάτων ούτε μπλοκάρτε ή καλύψτε τις οπές εξαερισμού.
6. Μην αφαιρείτε τον άξονα του περιστρεφόμενου δίσκου.
7. Για την ασφάλεια των παιδιών μην αφήνετε τη συσκευή χωρίς επίτηρηση κατά τη διάρκεια της λειτουργίας.

ΧΡΗΣΗ ΤΗΣ ΣΥΣΚΕΥΗΣ

1. Αφού τοποθετήσετε το φαγητό σε ένα κατάλληλο πιάτο στο γυάλινο πικάπ μέσα στον φούρνο μικροκυμάτων. Κλείστε την πόρτα του φούρνου μικροκυμάτων, ρυθμίστε την επιθυμητή στάθμη ισχύος (Εικ. 2 .2) και το χρόνο μαγειρέματος στο χρονοδιακόπτη (Εικ. 2 .1).
ΠΡΟΣΟΧΗ: Ο ΦΟΥΡΝΟΣ ΜΙΚΡΟΚΥΜΑΤΩΝ ΘΑ ΕΠΙΣΤΡΕΨΕΙ ΤΗ ΛΕΙΤΟΥΡΓΙΑ ΑΜΕΣΩΣ ΜΕΤΑ ΤΗΝ ΡΥΘΜΙΣΗ ΤΗΣ ΩΡΑΣ.
2. Εάν ο επιθυμητός χρόνος μαγειρέματος είναι μικρότερος από 5 λεπτά, γυρίστε πρώτα το κουμπί χρονοδιακόπτη έξω από τη γραμμή των 5 λεπτών και, στη συνέχεια, περιστρέψτε το κουμπί χρονοδιακόπτη προς τα πίσω για να ρυθμίσετε την κατάλληλη ώρα.
3. Εάν το φαγητό αφαιρεθεί από το φούρνο μικροκυμάτων πριν περάσει ο καθορισμένος χρόνος προγράμματος, **ΠΑΝΤΑ ΒΟΗΘΗΣΕΤΕ ΠΑΝΤΑ ΤΟ ΚΩΔΙΚΟ ΣΤΗΝ ΚΑΤΩ ΧΩΡΗ.**
4. Για να σταματήσετε το φούρνο μικροκυμάτων, γυρίστε το κουμπί χρονοδιακόπτη στη μηδενική θέση. Εάν ανοίξει η πόρτα του φούρνου μικροκυμάτων κατά τη διάρκεια της διαδικασίας μαγειρέματος, ο φούρνος μικροκυμάτων θα σταματήσει αυτόματα. Η επαναλειτουργία της θύρας θα ξαναρχίσει αυτόματα τον φούρνο μικροκυμάτων σύμφωνα με τις προηγούμενες ρυθμίσεις. Αν δεν υπάρχει ο απαιτούμενος χρόνος στο χρονόμετρο, γυρίστε το κουμπί χρονοδιακόπτη πίσω στη μηδενική θέση.
ΠΡΟΣΟΧΗ: Η ΛΕΙΤΟΥΡΓΙΑ ΤΟΥ ΦΟΥΡΝΟΥ ΜΙΚΡΟΚΥΜΑΤΩΝ ΧΩΡΙΣ ΟΠΟΙΑΔΗΠΟΤΕ ΤΡΟΦΟΔΟΣΙΑ ΕΝΤΟΣ ΜΠΟΡΕΙ ΝΑ ΒΛΑΒΕΙ ΤΗ ΣΥΣΚΕΥΗ.

ΚΑΘΑΡΙΣΜΟΣ ΚΑΙ ΣΥΝΤΗΡΗΣΗ

1. Ο φούρνος μικροκυμάτων θα πρέπει να καθαρίζεται τακτικά και τα υπολείμματα τροφίμων πρέπει να απομακρύνονται τακτικά. Αφήνοντας τον φούρνο μικροκυμάτων ακάθαρτο μπορεί να προκαλέσει βλάβη στην επιφάνεια, η οποία με τη σειρά του μπορεί να επηρεάσει αρνητικά τη διάρκεια ζωής της συσκευής και να οδηγήσει σε επικίνδυνες καταστάσεις.
2. Πριν από τον καθαρισμό, σβήστε τον φούρνο μικροκυμάτων και αφαιρέστε το φως από την πρίζα.
3. Το εσωτερικό του φούρνου μικροκυμάτων πρέπει να διατηρείται καθαρό. Σε περίπτωση βρωμιάς των εσωτερικών τοιχωμάτων του φούρνου μικροκυμάτων, αφαιρέστε τα σωματίδια τροφίμων ή τις διαρροές υγρών με ένα υγρό πανί.
4. Για βαριά βρωμιά χρησιμοποιήστε ένα ήπιο απορρυπαντικό. Μην χρησιμοποιείτε καθαριστικά που περιέχουν λειαντικά.
5. Μην χρησιμοποιείτε καθαριστικά σε μορφή ψεκασμού ή άλλα ισχυρά μέσα καθαρισμού, γιατί μπορεί να λεκιάσουν, να ράψουν ή να χαλαρώσουν την επιφάνεια του φούρνου μικροκυμάτων και της πόρτας.
6. Η εξωτερική επιφάνεια του φούρνου μικροκυμάτων πρέπει να καθαρίζεται με ένα υγρό πανί. Για να αποφύγετε τη ζημιά στα εξαρτήματα μέσα στον φούρνο μικροκυμάτων, βεβαιωθείτε ότι δεν διέρχεται νερό μέσα από τις οπές εξαερισμού στο εσωτερικό.
7. Και οι δύο πλευρές της θύρας, του παραθύρου, της στεγανοποίησης της πόρτας και των παρακειμένων τμημάτων πρέπει να σκουπίζονται τακτικά με ένα υγρό πανί για να αφαιρεθούν τα υπολείμματα τροφίμων ή τα χυμένα υγρά.
8. Μην αφήνετε τον πίνακα ελέγχου να βρέξει. Καθαρίστε το με ένα μαλακό, υγρό πανί. Μην χρησιμοποιείτε απορρυπαντικά, λειαντικά ή σπρέι καθαρισμού για να καθαρίσετε τον πίνακα ελέγχου.
9. Εάν οι υδατμοί συλλέγονται μέσα στο φούρνο μικροκυμάτων ή γύρω από την πόρτα, σκουπίστε το με ένα μαλακό πανί. Αυτό μπορεί να συμβεί όταν ο φούρνος μικροκυμάτων λειτουργεί σε συνθήκες υψηλής υγρασίας και όταν δεν υπάρχουν ενδείξεις βλάβης στη συσκευή.
10. Καθαρίζετε τακτικά το γυάλινο πικάπ με ζεστό, βραστό νερό ή στο πλυντήριο πιάτων.
11. Για να αποφύγετε υπερβολικό θόρυβο κατά τη λειτουργία του φούρνου μικροκυμάτων, καθαρίζετε τακτικά το στήριγμα του πικάπ και τη βάση του εσωτερικού του φούρνου μικροκυμάτων. Για αυτό μπορείτε να χρησιμοποιήσετε ένα ήπιο απορρυπαντικό, καθαριστικό νερού ή παραθύρου. Η βάση στήριξης μπορεί να πλυθεί με χλιαρό νερό ή στο πλυντήριο πιάτων. Αφού καθαρίσετε την υποστήριξη του πικάπ βεβαιωθείτε ότι έχει τοποθετηθεί σωστά εκεί που ήταν πριν την αφαίρεση για καθαρισμό.
12. Κατά τη διάρκεια του μαγειρέματος μπορεί να συλλέγονται ατμοί από μαγειρεμένα τρόφιμα ή υγρά. Ωστόσο, αυτό δεν επηρεάζει την επιφάνεια του εσωτερικού του φούρνου μικροκυμάτων και του δακτυλίου στήριξης του περιστρεφόμενου δίσκου.
13. Για να αφαιρέσετε τυχόν υπολείμματα οσμής μετά το μαγείρεμα, τοποθετήστε ένα μείγμα από νερό και χυμό λεμονιού ή νερό και φλούδα λεμονιού σε ένα πιάτο ασφαλές σε φούρνο μικροκυμάτων μέσα στον φούρνο μικροκυμάτων. Ζεσταίνετε αυτό το μείγμα για 5 λεπτά, μετά σκουπίστε το εσωτερικό του φούρνου μικροκυμάτων με ένα μαλακό πανί.
14. **ΠΡΟΕΙΔΟΠΟΙΗΣΗ:** Η συσκευή δεν μπορεί να καθαριστεί με ηλεκτρική σκούπα ατμού

ΤΕΧΝΙΚΑ ΔΕΔΟΜΕΝΑ:

Πηγή ισχύος: 230-240V ~50Hz
Μέγιστη ισχύς: 1100 W
Ισχύς μικροκυμάτων: 700 W
Συχνότητα: 2450 Mhz



φροντίζουμε το φυσικό περιβάλλον. Παρακαλούμε να πετάτε τις συσκευασίες από χαρτόνι στον κάδο ανακύκλωσης απορριμμάτων χαρτιού. Τις σακούλες από πολυαιθυλένιο (PE), απορρίψτε τις στον κάδο ανακύκλωσης πλαστικών. Η φθαρμένη συσκευή πρέπει να απορρίπτεται στο κατάλληλο σημείο, εξαιτίας των επικίνδυνων στοιχείων που περιέχει και τα οποία μπορεί να αποτελέσουν απειλή για το περιβάλλον. Η ηλεκτρική συσκευή πρέπει να απορρίπτεται με τέτοιο τρόπο ώστε να περιοριστεί η επαναχρησιμοποίηση της. Εάν στη συσκευή βρίσκονται μπαταρίες, αυτές πρέπει να αφαιρεθούν και να πεταχτούν σε ξεχωριστό κάδο.

NEDERLANDS

ALGEMENE VEILIGHEIDSVORWAARDEN

BELANGRIJKE AANWIJZINGEN VOOR DE VEILIGHEID VAN HET GEBRUIK GELIEVE ZORGVULDIG TE LEZEN EN TE HOUDEN VOOR TOEKOMSTIGE REFERENTIE

1. Lees voordat u het apparaat in gebruik neemt eerst de handleiding en volg de instructies hierin. De fabrikant is niet verantwoordelijk voor schade veroorzaakt door het gebruik van het apparaat voor andere doeleinden dan waarvoor het is bedoeld of door verkeerd gebruik van het apparaat.

2. Het apparaat is alleen bedoeld voor huishoudelijk gebruik. Gebruik niet voor andere doeleinden dan de bedoeling.

3. Het apparaat mag alleen worden aangesloten op een 230-240V ~50Hz aardingsstoevoer.

Om de veiligheid te vergroten, verbindt u niet tegelijkertijd meerdere elektrische apparaten met één stroomcircuit.

4. Besteed bijzondere aandacht aan het gebruik van het apparaat als er kinderen in de buurt zijn. Sta niet toe dat kinderen met het apparaat spelen. Sta niet toe dat kinderen of personen die onbekend zijn met het apparaat deze gebruiken.

5. WAARSCHUWING: dit apparaat kan worden gebruikt door kinderen vanaf 8 jaar en personen met beperkte fysieke, sensorische of mentale capaciteiten, of personen zonder ervaring of kennis van het apparaat, alleen onder toezicht van een persoon die verantwoordelijk is voor hun veiligheid, of als zij werden geïnstrueerd over het veilige gebruik van het apparaat en zich bewust zijn van de gevaren die verband houden met de werking ervan. Kinderen mogen niet met het apparaat spelen. Reiniging en onderhoud van het apparaat mogen niet door kinderen worden uitgevoerd, tenzij ze ouder zijn dan 8 jaar en deze activiteiten onder toezicht worden uitgevoerd.

6. Haal na gebruik altijd de stekker uit het stopcontact door de uitgang vast te houden met uw hand. Trek NIET aan het netsnoer.

7. Laat het apparaat niet zonder toezicht op het stopcontact aangesloten.

8. Dompel de kabel, stekker en het hele apparaat niet onder in water of andere vloeistoffen. Stel het apparaat niet bloot aan atmosferische omstandigheden (zoals regen, zon enz.) Of gebruik het niet bij hoge luchtvochtigheid (in de badkamer, vochtige zomerhuisjes).

9. Controleer regelmatig de staat van het netsnoer. Als het netsnoer is beschadigd, moet het worden vervangen bij een gespecialiseerd reparatiebedrijf om gevaar te voorkomen.

10. Gebruik het apparaat niet met een beschadigd netsnoer of als het gevallen of

beschadigd is of niet goed werkt. Repareer het apparaat niet zelf omdat er elektrocutiegevaar bestaat. Laat het beschadigde apparaat bij het juiste servicecentrum na om te worden gecontroleerd of gerepareerd. Alleen geautoriseerde servicecentra kunnen eventuele schade herstellen. Onjuiste reparatie kan een ernstig risico voor de gebruiker tot gevolg hebben.

11. Het apparaat moet op een koele, stabiele en vlakke ondergrond worden geplaatst, uit de buurt van verwarmingstoestellen zoals elektrische fornuizen, gasbranders, enz.

12. Gebruik het apparaat niet in de buurt van ontvlambare materialen.

13. Het netsnoer mag niet over de rand van een tafel hangen of in aanraking komen met hete oppervlakken.

14. Trek vóór het schoonmaken of na gebruik de stekker uit het stopcontact door de uitgang vast te houden met uw hand. Trek NIET aan het netsnoer.

15. Gebruik de magnetronoven niet zonder dat de draaitafel en de draaitafelsteun in de juiste positie zijn geplaatst.

16. Gebruik de magnetron alleen voor het bereiden van voedsel. Gebruik de magnetron niet om kleding, papier of andere non-foodproducten te drogen. Gebruik de magnetron niet voor sterilisatiedoeleinden.

17. Gebruik de magnetron nooit leeg, dit kan het apparaat beschadigen.

18. Gebruik het binnenste van de magnetron niet om producten op te bergen, zoals papier, boeken enz.

19. Voedselproducten met een dikke huid, zoals aardappelen, appels of kastanjes, moeten meerdere keren worden geprikt voordat ze worden gekookt.

20. Plaats geen voorwerpen in de openingen in de behuizing.

21. Verwijder nooit onderdelen van de magnetronoven. **VOORZICHTIG:** Verwijder de kap niet. Bron voor microgolflstraling en hoogspanning.

22. Kook nooit direct op de draaitafel. Plaats het voedsel altijd in een magnetronbestendige schaal.

23. Gebruik alleen magnetronbestendige gerechten.

24. Houd minimaal 30 cm vrije ruimte boven het bovenoppervlak van de magnetron.

25. Bak geen voedsel in de magnetron. Hete olie kan delen van de magnetron en de schaal beschadigen en kan uw huid beschadigen.

26. **WAARSCHUWING:** Verwarmde vloeistof in een container is erg heet, zelfs als de container na het koken en verwijderen uit de magnetron niet heet aanvoelt.

27. Verwarmingsdranken in een magnetronoven kunnen vertraagd explosief koken veroorzaken - wees voorzichtig bij het hanteren van de container.

28. Om brandwonden te voorkomen, meng of schud de inhoud van kinderflessen en potjes babyvoeding, controleer dan de temperatuur vóór het serveren.

29. Als u rook ziet, zet dan de magnetron uit, haal de stekker uit het stopcontact en laat de deur dicht om de vlammen te verstikken.

30. Schotels kunnen opwarmen als gevolg van de warmte van het verwarmde voedsel dat wordt overgebracht naar het gerecht. Gebruik geschikte bescherming bij het afwassen.

31. Volg de volgende regels om de kans op brand in de magnetron te verminderen:

een. kook geen voedsel in containers van papier, plastic of andere brandbare materialen voor een langere periode

b. verwijder alle metalen elementen uit de verpakking voordat u ze in de magnetronoven plaatst

c. Bij het verwarmen van voedsel in plastic of papieren vaten, moet u de magnetron vaak controleren vanwege de mogelijkheid dat de container in brand vliegt

32. WAARSCHUWING: Als de deur of de afdichting beschadigd is, kan de magnetronoven niet worden gebruikt voordat deze door een gekwalificeerd persoon is gerepareerd.

33. WAARSCHUWING: Service of reparatiewerkzaamheden met betrekking tot het verwijderen van de afdekking tegen microgolfenergie zijn gevaarlijk en moeten worden uitgevoerd door gekwalificeerde personen.

34. WAARSCHUWING: Vloeistoffen en andere voedingsmiddelen mogen niet in afgesloten containers worden verwarmd, omdat deze kunnen exploderen.

35. De magnetronoven is bedoeld voor zelfstandig gebruik. Plaats de magnetronoven niet in een kast.

36. Aanbevolen wordt om de magnetron regelmatig schoon te maken en voedselresten te verwijderen.

37. Als de magnetron niet schoon wordt gehouden, kan het oppervlak verslechteren, waardoor de duurzaamheid van de magnetron nadelig kan worden beïnvloed en gevaarlijke situaties kunnen ontstaan.

De binnenkant van de magnetron moet schoon worden gehouden. In geval van vervuiling van de binnenwanden van de magnetronoven, verwijder de voedseldeeltjes of gemorste vloeistof met een vochtige doek.

38. Gebruik voor zwaar vuil een mild reinigingsmiddel. Gebruik geen schoonmaakmiddelen die schuurmiddelen bevatten.

39. Gebruik geen schoonmaakmiddelen in een spuitbus of andere sterke schoonmaakmiddelen, omdat deze het oppervlak van de magnetron en de deur kunnen bevleken, strijken of dof maken.

40. Het buitenoppervlak van de magnetronoven moet worden gereinigd met een vochtige doek. Om schade aan de componenten in de magnetron te voorkomen, moet u ervoor zorgen dat er geen water door de ventilatieopeningen in de magnetron druppelt.

41. Beide zijden van de deur, het raam, de deurafdichting en aangrenzende onderdelen moeten regelmatig worden afgeveegd met een vochtige doek om voedselresten of gemorste vloeistoffen te verwijderen.

42. Zorg dat het bedieningspaneel niet nat wordt. Maak het schoon met een zachte, vochtige doek. Gebruik geen schoonmaakmiddelen, schuurmiddelen of reinigingsmiddelen om het bedieningspaneel te reinigen.

43. Als er waterdamp in de magnetron of rond de deur komt, veeg deze dan af met een zachte doek. Dit kan gebeuren wanneer de magnetronoven wordt gebruikt in omstandigheden met een hoge luchtvochtigheid en wanneer er geen tekenen zijn van een storing in het apparaat.

44. Reinig de glazen draaitafel regelmatig in warm, gekookt water of in de vaatwasmachine.

45. Verwarm de eieren niet in schelpen of hele hardgekookte eieren in de magnetron. Ze kunnen exploderen, zelfs nadat de verwarming in de magnetron is voltooid.

46. Raak de hete oppervlakken van de magnetron (de deur, de boven- of



onderwand en zijwanden) niet aan. Gebruik beschermende handschoenen bij het verwijderen of aanraken van hete elementen.

47. Om extra bescherming te bieden, wordt het aanbevolen om een reststroomapparaat (RCD) in het stroomcircuit te installeren, met een reststroomvermogen van niet meer dan 30 mA. Neem in dit geval contact op met een professionele elektricien.

48. **WAARSCHUWING:** laat kinderen pas daarna de oven zonder toezicht gebruiken als ze de juiste instructies hebben gekregen, zodat ze de oven veilig kunnen gebruiken en zich bewust zijn van gevaren als gevolg van onjuist gebruik.

49. Metalen recipiënten voor voedsel en dranken mogen niet in een magnetron worden gebruikt

BESCHRIJVING VAN HET APPARAAT (Fig. 1)

1. Deurslot
2. Magnetronoven
3. Draaitafelsteunenset
4. De deur openen
5. Bedieningspaneel
6. Glazen draaitafel

BEDIENINGSPANEEL (Fig. 2)

- 2.1. Timer 0-30 minuten
 - 2.2. Knop voor het instellen van het vermogensniveau
- I: laag vermogen - 20%
- II: laag-gemiddeld vermogen - 52%
- III: gemiddeld vermogen - 73%
- IIII: middelhoge kracht - 88%
- IIIII: hoog vermogen - 100%
- ☼ ontdooien - 42%

VOOR HET EERSTE GEBRUIK

1. Zorg ervoor dat alle verpakkingen uit de binnenkant van de magnetron zijn verwijderd.
2. Controleer of er geen tekenen van beschadiging zijn, zoals een gebogen of kromgetrokken deur, beschadigde deurafdichtingen, beschadigd contactoppervlak, gebarsten of losse deurscharnieren en vergrendelingen, deuk in de magnetronoven of de deur. Gebruik het apparaat in geval van schade niet en neem contact op met de serviceafdeling.
3. Stel de magnetron niet bloot aan hoge temperaturen of vochtigheid en plaats geen nabijgelegen ontvlambare materialen.
4. Plaats de magnetronoven op een vlak, stabiel oppervlak dat bestand is tegen het gewicht.
5. Plaats niets bovenop de magnetronoven of blok of bedek de ventilatieopeningen niet.
6. Verwijder de draaitafel niet.
7. Laat het apparaat met het oog op de veiligheid van kinderen nooit onbeheerd achter tijdens gebruik.

HET APPARAAT GEBRUIKEN

1. Nadat u het voedsel in een geschikte schaal op de glazen draaischijf in de magnetron hebt geplaatst. Sluit de deur van de magnetronoven, stel het gewenste vermogensniveau in (Fig. 2 .2) en kooktijd op de timer (Fig. 2 .1).

VOORZICHTIG: DE MICROGOLFOVEN WORDT ONMIDDELLIJK NA HET TIJDSTIP INGESTELD.

2. Als de gewenste bereidingstijd minder dan 5 minuten is, draait u eerst de timerknop buiten de 5-minutenlijn en draait u de timerknop terug om de juiste tijd in te stellen.

3. Als het voedsel uit de magnetronoven werd verwijderd voordat de ingestelde programmatijd verstreek, **DRAAI DE KNOP ALTIJD NAAR DE NULPOSITIE.**

4. Draai de timerknop naar de nulstand om de magnetron te stoppen. Als de deur van de magnetronoven tijdens het kookproces wordt geopend, zal de magnetronoven automatisch stoppen met werken. Als de deur opnieuw wordt gesloten, start de magnetron automatisch opnieuw volgens de vorige instellingen. Als de resterende tijd op de timer niet nodig is, draait u de timerknop terug naar de nulpositie.

VOORZICHTIG: HET GEBRUIK VAN DE MAGNETRONOVEN ZONDER ENIG VOEDSEL BINNENKANT BESCHADIGT HET APPARAAT.

SCHOONMAAK EN ONDERHOUD

1. De magnetron moet regelmatig worden schoongemaakt en voedselresten moeten regelmatig worden verwijderd. Het niet-reinigen van de magnetronoven kan schade aan het oppervlak veroorzaken, wat op zijn beurt de levensduur van het apparaat negatief kan beïnvloeden en tot gevaarlijke situaties kan leiden.
2. Schakel voor het reinigen de magnetron uit en haal de stekker uit het stopcontact.
3. De binnenkant van de magnetron moet schoon worden gehouden. In geval van vervuiling van de binnenwanden van de magnetronoven, verwijder de voedseldeeltjes of gemorste vloeistof met een vochtige doek.
4. Gebruik voor zwaar vuil een mild reinigingsmiddel. Gebruik geen schoonmaakmiddelen die schuurmiddelen bevatten.
5. Gebruik geen schoonmaakmiddelen in een spray-vorm of andere sterke reinigingsmiddelen, omdat deze het oppervlak van de magnetron en de deur kunnen bevleken, strijken of dof maken.
6. Het buitenoppervlak van de magnetronoven moet worden schoongemaakt met een vochtige doek. Om schade aan de componenten in de magnetron te voorkomen, moet u ervoor zorgen dat er geen water door de ventilatieopeningen in de magnetron druppelt.
7. Beide zijden van de deur, het raam, de deurafdichting en aangrenzende onderdelen moeten regelmatig worden afgeveegd met een vochtige doek om voedselresten of gemorste vloeistoffen te verwijderen.
8. Zorg dat het bedieningspaneel niet nat wordt. Maak het schoon met een zachte, vochtige doek. Gebruik geen schoonmaakmiddelen, schuurmiddelen of reinigungs-sprays om het bedieningspaneel te reinigen.
9. Als zich waterdamp in de magnetron of rond de deur heeft verzameld, veeg deze dan af met een zachte doek. Dit kan gebeuren wanneer de magnetronoven wordt gebruikt in omstandigheden met een hoge luchtvochtigheid en wanneer er geen tekenen zijn van een storing in het apparaat.
10. Reinig de glazen draaitafel regelmatig in warm, gekookt water of in de vaatwasmachine.
11. Reinig regelmatig de draaitafelsteun en de onderkant van de binnenkant van de magnetron om overmatig lawaai tijdens het gebruik van de magnetron te voorkomen. Hiervoor kunt u een mild schoonmaakmiddel, water- of glasreiniger gebruiken. De steun van de draaitafel kan worden gewassen in lauw water of in de vaatwasser. Nadat u de draaitafelondersteuning hebt gereinigd, moet u ervoor zorgen dat deze op de juiste manier is aangebracht op de plek waar deze vóór het verwijderen werd verwijderd om te worden gereinigd.
12. Damp van gekookt voedsel of vloeistof kan zich tijdens het koken verzamelen. Dit heeft echter geen invloed op het oppervlak van het binnenste van de magnetronoven en de steuning van de draaitafel.
13. Om restgeuren na het koken te verwijderen, plaatst u een mengsel van water en citroensap of water en citroenschil in een magnetronbestendige schaal in de magnetron. Verwarm dit mengsel gedurende 5 minuten en veeg dan de binnenkant van de magnetronoven af met een zachte doek.
14. **WAARSCHUWING:** Het apparaat kan niet worden schoongemaakt met een stoomstofzuiger

TECHNISCHE DATA:

Stroombron: 230-240V ~50Hz
Maximaal vermogen: 1100 W
Magnetronvermogen: 700 W
Frequentie: 2450 MHz
Capaciteit van de magnetron: 20 liter



We geven om het milieu. We vragen u om de kartonnen verpakkingen te storten bij het oud papier. Polyethyleen zakken (PE) storten in de container voor plastic. Versleten apparatuur afgeven bij het juiste verzamelpunt, als in het apparaat gevaarlijke elementen zitten kan dat een bedreiging zijn voor het milieu. Elektrisch apparaat moet worden geretourneerd om het hergebruik te verminderen. Als in het apparaat batterijen zitten, horen die verwijderd te worden en apart af te worden gegeven bij het juiste verzamelpunt.

SUOMI

YLEISET TURVALLISUUSOHJEET TÄRKEITÄ KÄYTTÖOHJEITA KÄYTTÖOHJEET LUE HUOLELLISESTI JA SÄILYTTÄMINEN TULEVAISUUDESTA.

1. Ennen laitteen ensimmäistä käyttöä, lue käyttöohje ja noudata siinä olevia ohjeita. Valmistaja ei ole vastuussa vahingoista, jotka aiheutuvat laitteen käyttämisestä muuhun kuin tarkoitukseen tai laitteen virheelliseen käyttöön.
2. Laite on tarkoitettu vain kotikäyttöön. Älä käytä muuhun kuin tarkoitettuun tarkoitukseen.
3. Laite tulee kytkeä vain 230-240V ~50Hz maadoituspistorasiaan. Turvallisuuden lisäämiseksi älä yhdistä samanaikaisesti useita sähkölaitteita yhteen virtapiiriin.
4. Kiinnitä erityistä huomiota, kun käytät laitetta, jos lähistöllä on lapsia. Älä anna lasten leikkiä laitteen kanssa. Älä anna lasten tai henkilöiden, jotka eivät tunne laitteen käyttöä, käyttää sitä.

5. VAROITUS: Tätä laitetta voivat käyttää yli 8-vuotiaat lapset ja henkilöt, joilla on heikentynyt fyysinen, aistillinen tai henkinen kyky, tai henkilöt, joilla ei ole kokemusta tai tietoa laitteesta, vain heidän turvallisuudestaan vastaavan henkilön valvonnassa, tai jos heille annettiin ohjeita laitteen turvallisesta käytöstä ja ovat tietoisia sen käyttöön liittyvistä vaaroista. Lapset eivät saa leikkiä laitteen kanssa. Lapset eivät saa puhdistaa ja huoltaa laitetta, elleivät ne ole yli 8-vuotiaita, ja nämä toimet toteutetaan valvonnan alaisina.

6. Poista käytön jälkeen aina pistoke pistorasiasta pitämällä pistoketta kädellä. ÄLÄ vedä virtajohtoa.

7. Älä jätä laitetta liitettynä pistorasiaan ilman valvontaa.

8. Älä upota kaapelia, pistoketta ja koko laitetta veteen tai muihin nesteisiin. Älä altista laitetta ilmakehän olosuhteisiin (esim. Sade, aurinko jne.) Tai käytä sitä korkeassa kosteudessa (kylpyhuoneessa, kosteassa kesämökissä).

9. Tarkista säännöllisesti virtajohdon kunto. Jos virtajohto on vaurioitunut, se tulee vaihtaa erikoispalvelupisteessä vaaran välttämiseksi.

10. Älä käytä laitetta vahingoittuneella virtajohdolla tai jos se on pudonnut tai vahingoittunut tai se ei toimi kunnolla. Älä korjaa laitetta itse, koska on olemassa sähköiskun vaara. Jätä vaurioitunut laite tarkastettavaan tai korjattavaan huoltokeskukseen. Vain valtuutetut huoltoliikkeet voivat korjata mahdolliset vahingot. Virheellinen korjaus voi aiheuttaa käyttäjälle vakavan vaaran.

11. Laitte on sijoitettava viileään, vakaaseen, tasaiselle alustalle, joka on kaukana lämmityslaitteista, kuten sähköliesiä, kaasupolttimia jne.

12. Älä käytä laitetta syttyvien materiaalien lähellä.

13. Virtajohto ei saa roikkua pöydän reunan yli tai koskettaa kuumia pintoja.

14. Irrota pistoke pistorasiasta ennen puhdistusta tai käytön jälkeen pitämällä pistorasiaa kädellä. ÄLÄ vedä virtajohtoa.

15. Älä käytä mikroaaltouunia ilman kääntöpöytää ja kääntöpöydän tukijalkaa oikeaan asentoon.

16. Käytä vain mikroaaltouunia ruoan valmistukseen. Älä käytä mikroaaltouunia vaatteiden, paperin tai muiden ei-elintarvikkeiden kuivaamiseen. Älä käytä mikroaaltouunia sterilointiin.

17. Älä koskaan käytä tyhjää mikroaaltouunia, koska se voi vahingoittaa laitetta.

18. Älä käytä mikroaaltouunin sisäosaa tallentamaan tuotteita, kuten paperia, kirjoja jne.

19. Paksu ihon kaltaisia elintarvikkeita, kuten perunoita, omenoita tai kastanjoita, on lävistettävä useita kertoja ennen ruoanlaittoa.

20. Älä aseta mitään esineitä kotelon aukkoihin.

21. Älä koskaan poista mitään mikroaaltouunin osia. VAROITUS: Älä irrota kansi Lähde mikroaaltosäteilylle ja korkeajännitteelle.

22. Älä koskaan keitä suoraan levysoittimella. Aseta ruoka aina mikroaaltouuniin sopivaan astiaan.

23. Käytä vain mikroaaltouunissa turvallisia ruokia.

24. Pidä vähintään 30 cm vapaata tilaa mikroaaltouunin yläpinnan yläpuolella.

25. Älä paista ruokaa mikroaaltouunissa. Kuuma öljy voi vahingoittaa mikroaaltouunin ja

astian osia ja vahingoittaa ihoa.

26. VAROITUS: Lämmitetty neste säiliössä on erittäin kuuma, vaikka säiliö ei olisi kuumaa kosketukseen ruoanvalmistuksen ja mikroaaltouunista poistamisen jälkeen.

27. Juomien lämmittäminen mikroaaltouunissa voi aiheuttaa räjähdysvaarallisen kiehumisen - olla varovainen käsiteltäessä säiliötä.

28. Palovammojen välttämiseksi sekoita tai ravista lasten ruokapullojen ja vauvanruokien sisältöä ja tarkista lämpötila ennen tarjoilua.

29. Jos näet savun, kytke mikroaaltouuni pois päältä, irrota pistoke pistorasiasta ja jätä ovi sulkeutumaan liekkien tukahduttamiseksi.

30. Astiat voivat lämmetä, kun lämmitetty ruoka siirtyy astiaan. Käytä sopivaa suojaa kuljettaessa astioita.

31. Vähennä tulipalon todennäköisyyttä mikroaaltouunissa noudattamalla seuraavia sääntöjä:

a. älä kypsennä paperia, muovia tai muita palavia materiaaleja sisältävissä astioissa pitkään

b. poista kaikki metalliset elementit pakkauksesta ennen niiden sijoittamista mikroaaltouuniin

C. kun ruoka kuumennetaan muovi- tai paperipakkauksissa, tarkista mikroaaltouuni usein, koska säiliö voi tarttua tuleen

32. VAROITUS: Jos ovi tai sen tiiviste on vaurioitunut, mikroaaltouunia ei voi käyttää ennen kuin pätevä henkilö korjaa sen.

33. VAROITUS: Kaikki huolto- tai korjaustoiminnot, joihin liittyy suojan poistaminen mikroaaltouunista, ovat vaarallisia, ja niitä tulisi suorittaa pätevät henkilöt.

34. VAROITUS: Nesteitä ja muita elintarvikkeita ei saa lämmittää suljetuissa astioissa, koska ne voivat räjähtää.

35. Mikroaaltouuni on tarkoitettu erilliseen käyttöön. Älä aseta mikroaaltouunia kaappiin.

36. Suositellaan mikroaaltouunin säännöllistä puhdistusta ja ruokajäämien poistamista.

37. Mikroaaltouunin pitäminen puhtaana voi johtaa pinnan huononemiseen, mikä voi vaikuttaa haitallisesti mikroaaltouunin kestävyYTEEN ja johtaa siten vaarallisiin tilanteisiin.

Mikroaaltouunin sisäpuoli on pidettävä puhtaana. Jos mikroaaltouunin sisäseinät likaantuvat, poista ruokaosat tai nestevuodot kostealla liinalla.

38. Raskaan lian käyttämiseksi käytä mietoa pesuainetta. Älä käytä hankausaineita sisältäviä puhdistusaineita.

39. Älä käytä puhdistusaineita suihkemuodossa tai muissa vahvoissa puhdistusaineissa, koska ne voivat tahrata, juoda tai tylsyttää mikroaaltouunin ja oven pintaa.

40. Mikroaaltouunin ulkopinta tulee puhdistaa kostealla liinalla. Mikroaaltouunin sisällä olevien osien vaurioitumisen välttämiseksi varmista, että ilman sisällä ei ole vettä.

41. Oven, ikkunan, ovitiivisteen ja vierekkäisten osien molemmat puolet tulee pyyhkiä säännöllisesti kostealla liinalla, jotta kaikki jäännökset tai roiskeet poistuvat.

42. Älä anna ohjauspaneelin kastua. Puhdista se pehmeällä, kostealla liinalla. Älä käytä pesuaineita, hankaavia aineita tai puhdistusaineita puhdistaaksesi ohjauspaneelia.

43. Jos vesihöyry kerääntyy mikroaaltouunin tai oven ympärille, pyyhi se pehmeällä liinalla. Tämä voi tapahtua, kun mikroaaltouunia käytetään korkeassa kosteudessa ja kun laitteessa ei ole merkkejä vikasta.

44. Puhdista lasi levysoitin säännöllisesti lämpimässä, keitetystä vedessä tai astianpesukoneessa.

45. Älä kuumenna munia kuorissa tai koko kiehuvaan munassa mikroaaltouunissa. Ne voivat räjähtää jopa kuumentamisen päätyttyä mikroaaltouunissa.

46. Älä koske mikroaaltouunin kuumiin pintoihin (ovi, ylä- tai pohjaseinät ja sivuseinät).



Käytä suojakäsineitä, kun poistat tai kosketat kuumia elementtejä.

47. Lisäsuojan tarjoamiseksi on suositeltavaa asentaa virtapiiriin jäännösvirtauslaite (RCD), jonka jäännösvirta on enintään 30 mA. Ota yhteyttä ammattilaiseen sähköasentajaan tässä asiassa.

48. VAROITUS: Anna lasten käyttää uunia ilman valvontaa vasta, kun heille on annettu asianmukaiset ohjeet, jotta he voivat käyttää uunia turvallisesti ja olla tietoisia väärinkäytöstä aiheutuvista vaaroista.

49. Mikroaaltouunissa ei saa käyttää elintarvikkeiden ja juomien metalliastioita.

LAITTEEN KUVAAUS (kuva 1)

1. Oven lukko
2. Mikroaaltouunin ikkuna
3. Levysoittimen tuki
4. Oven avaaminen
5. Ohjauspaneeli
6. Lasilevy

OHJAUSPANEELI (Kuva 2)

- 2.1. Ajastin 0-30 minuuttia
 - 2.2. Nuppi tehon asettamiseksi
- I: alhainen teho - 20%
- II: alhaisen keskitason teho - 52%
- III: keskimääräinen teho - 73%
- IIII: keskikokoinen teho - 88%
- IIIII: suuri teho - 100%
- ☼ sulatus - 42%

ENNEN ENSIMMÄISEN KÄYTTÖÄ

1. Varmista, että kaikki pakkaukset on poistettu mikroaaltouunin sisäpuolelta.
2. Varmista, ettei mikään merkki vahingoittumisesta, kuten taipuneesta tai vääntyneestä ovesta, vaurioituneista ovitiivisteistä, vaurioituneesta kosketuspinnasta, säröistä tai irtonaisista osavaroista ja salvat, mikroaaltouunissa tai ovesta. Jos laitteessa on vaurioita, älä käytä laitetta ja ota yhteyttä huoltoon.
3. Älä altista mikroaaltouunia korkeille lämpötiloille tai kosteudelle ja älä aseta lähelle palavia materiaaleja.
4. Aseta mikroaaltouuni tasaiselle, vakaalle alustalle, joka kestää sen painon.
5. Älä aseta mitään mikroaaltouunin päälle tai estä tai peitä tuuletusaukkoja.
6. Älä irrota kääntöpöydän akselia.
7. Älä jätä laitetta lapsiturvallisuuden vuoksi ilman valvontaa käytön aikana.

LAITTEEN KÄYTTÖ

1. Kun ruoka on asetettu sopivaan astiaan mikroaaltouunin sisällä olevaan lasilevyyn. Sulje mikroaaltouunin luukku, aseta haluttu teho (kuva 2 .2) ja kypsennysaika ajastimessa (kuva 2 .1).

VAROITUS: MIKROKÄYTTÖJÄRJESTELMÄ KOSKEVA KÄYTTÖKÄYTTÖÖN AIKANA AIKAISEN ASETUKSEN JÄLKEEN.

2. Jos haluttu kypsennysaika on alle 5 minuuttia, käännä ajastimen säädintä ensin 5 minuutin linjan ulkopuolelle ja aseta sitten ajastinpainike takaisin asettaaksesi sopivan ajan.
3. Jos ruoka on poistettu mikroaaltouunista ennen kuin asetettu ohjelmaika on kulunut, Käännä AINOASTI NOPEASTIAN.
4. Pysäytä mikroaaltouuni kääntämällä ajastinkytkin nolla-asentoon. Jos mikroaaltouunin ovi avataan kypsennysprosessin aikana, mikroaaltouuni lakkaa toimimasta automaattisesti. Oven uudelleen sulkeminen käynnistää automaattisesti mikroaaltouunin aiempien asetusten mukaisesti. Jos ajastimen jäljellä olevaa aikaa ei tarvita, käännä ajastinkytkin takaisin nolla-asentoon.

VAROITUS: MIKROKÄYTTÖJÄRJESTELMÄN KÄYTTÄMINEN ILMAN ELINTARVIKKEET VOI VAARA LAITTEEN.

PUHDISTUS JA HUOLTO

1. Mikroaaltouuni on puhdistettava säännöllisesti ja ruoka jäämiä on poistettava säännöllisesti. Jos mikroaaltouuni jätetään puhdistamatta,

se voi vahingoittaa pintaa, mikä puolestaan voi vaikuttaa haitallisesti laitteen käyttöikään ja johtaa vaarallisiin tilanteisiin.

2. Kytke mikroaaltouuni pois ennen puhdistusta ja irrota pistoke pistorasiasta.

3. Mikroaaltouunin sisäpuoli on pidettävä puhtaana. Jos mikroaaltouunin sisäseinät likaantuvat, poista ruokaosat tai nestevedot kostealla liinalla.

4. Käytä kovaa likaa käyttämällä mietoa pesuainetta. Älä käytä hankausaineita sisältäviä puhdistusaineita.

5. Älä käytä puhdistusaineita suihkemuodossa tai muissa vahvoissa puhdistusaineissa, koska ne voivat tahrata, juoda tai tylsyttää mikroaaltouunin ja oven pintaa.

6. Mikroaaltouunin ulkopinta tulee puhdistaa kostealla liinalla. Mikroaaltouunin sisällä olevien osien vaurioitumisen välttämiseksi varmista, että ilman sisällä ei ole vettä.

7. Oven, ikkunan, oven tiivisteen ja vierekkäisten osien molemmat puolet tulee pyyhkiä säännöllisesti kostealla liinalla, jotta kaikki jäännökset tai roiskeet poistuvat.

8. Älä anna ohjauspaneelin kastua. Puhdista se pehmeällä, kostealla liinalla. Älä käytä pesuaineita, hankaavia aineita tai puhdistusaineita puhdistaaksesi ohjauspaneelia.

9. Jos vesihöyry kerääntyy mikroaaltouunin tai oven ympärille, pyyhi se pehmeällä liinalla. Tämä voi tapahtua, kun mikroaaltouunia käytetään korkeassa kosteudessa ja kun laitteessa ei ole merkkejä vikasta.

10. Puhdista lasi levysoitin säännöllisesti lämpimässä, keitetystä vedessä tai astianpesukoneessa.

11. Jotta vältettäisiin liiallinen melu mikroaaltouunin käytön aikana, puhdista säännöllisesti kääntöpöydän tuki ja mikroaaltouunin sisäosan pohja. Tätä varten voit käyttää mietoa pesuainetta, vettä tai ikkunanpuhdistusainetta. Kääntöpöydän tuki voidaan pestä haalealla vedellä tai astianpesukoneessa. Pyöreän alustan puhdistuksen jälkeen varmista, että se on asennettu oikein, kun se oli ennen poistamista puhdistusta varten.

12. Kypsennetyt ruoan tai nesteen höyry voi kerääntyä keiton aikana. Tämä ei kuitenkaan vaikuta mikroaaltouunin sisäpuolen ja kääntöpöydän tukirenkään pintaan.

13. Jotta voit poistaa jäämiä hajuja ruoanlaiton jälkeen, aseta seos vedestä ja sitruunamehusta tai vedestä ja sitruunan kuoresta mikroaaltouunissa olevaan astiaan mikroaaltouunissa. Kuumenna seos 5 minuuttia, pyyhi sitten mikroaaltouunin sisätila pehmeällä liinalla.

14. VAROITUS: Laitetta ei voi puhdistaa höyrypölynimurilla

TEKNISET TIEDOT:

Virtalähde: 230-240V ~50Hz

Suurin teho: 1100 W

Mikroaaltoteho: 700 W

Taajuus: 2450 MHz

Mikroaaltouunin kapasiteetti: 20 litraa



Kantakaamme huolta ympäristöstä. Pahvipakkauksen pyydämme laittamaan paperikierrätykseen. Polyeteenipussit (PE) tulee laittaa muovien kierrätysastiaan. Loppuun käytetyt laitteet tulee toimittaa asianmukaiseen keräyspisteeseen, koska laitteiden sisältämät vaaralliset aineosat voivat olla ympäristölle vahingollisia. Sähkölaite tulee toimittaa siten, että sen uudelleenkäyttö on estetty. Jos laitteessa on paristo, paristo tulee poistaa ja toimittaa erillisesti keräyspisteeseen.

ITALIANO

CONDIZIONI GENERALI DI SICUREZZA

ISTRUZIONI IMPORTANTI SULLA SICUREZZA DELL'USO LEGGERE ATTENTAMENTE E CONSERVARE PER FUTURE RIFERIMENTI

1. Prima del primo utilizzo del dispositivo, leggere il manuale di istruzioni e seguire le istruzioni in esso contenute. Il produttore non è responsabile per danni causati dall'uso del dispositivo per scopi diversi da quelli previsti o da un uso scorretto del dispositivo.

2. Il dispositivo è solo per uso domestico. Non utilizzare per scopi diversi da quelli previsti.

3. Il dispositivo deve essere collegato solo a una presa di messa a terra da 230-240V ~50 Hz.

Per aumentare la sicurezza non collegare simultaneamente più dispositivi elettrici in un circuito di alimentazione.

4. Prestare particolare attenzione quando si utilizza il dispositivo se ci sono bambini nelle vicinanze. Non consentire ai bambini di giocare con il dispositivo. Non permettere a bambini o persone che non hanno familiarità con il dispositivo di usarlo.

5. AVVERTENZA: questo dispositivo può essere utilizzato da bambini di età

superiore a 8 anni e persone con ridotte capacità fisiche, sensoriali o mentali o persone senza esperienza o conoscenza del dispositivo, solo sotto la supervisione di una persona responsabile della loro sicurezza, o se sono stati istruiti sull'uso sicuro del dispositivo e sono consapevoli dei pericoli associati al suo funzionamento. I bambini non dovrebbero giocare con il dispositivo. La pulizia e la manutenzione del dispositivo non devono essere eseguite dai bambini, a meno che non abbiano superato gli 8 anni di età e queste attività siano svolte sotto supervisione.

6. Dopo l'uso, rimuovere sempre la spina dalla presa tenendo la presa con la mano. **NON** tirare il cavo di alimentazione.

7. Non lasciare il dispositivo collegato alla presa senza sorveglianza.

8. Non immergere il cavo, la spina e l'intero dispositivo in acqua o altri liquidi. Non esporre il dispositivo a condizioni atmosferiche (ad esempio pioggia, sole, ecc.) O utilizzarlo in condizioni di elevata umidità (in bagno, case umide d'estate).

9. Controllare regolarmente le condizioni del cavo di alimentazione. Se il cavo di alimentazione è danneggiato, deve essere sostituito in una presa di riparazione specializzata per evitare il pericolo.

10. Non utilizzare il dispositivo con un cavo di alimentazione danneggiato o se è stato fatto cadere o danneggiato in qualsiasi modo o se non funziona correttamente. Non riparare il dispositivo da soli in quanto vi è il rischio di elettrocuzione. Lasciare il dispositivo danneggiato nel centro di assistenza appropriato per essere controllato o riparato. Solo i centri di assistenza autorizzati possono riparare eventuali danni. Una riparazione impropria può comportare gravi rischi per l'utente.

11. Il dispositivo deve essere posizionato su una superficie piana, stabile e piana, lontano da apparecchi di riscaldamento come cucine elettriche, fornelli a gas, ecc.

12. Non utilizzare il dispositivo vicino a materiali infiammabili.

13. Il cavo di alimentazione potrebbe non appendere oltre il bordo di un tavolo o toccare superfici calde.

14. Prima di pulire o dopo l'uso, rimuovere la spina dalla presa di corrente tenendo la presa con la mano. **NON** tirare il cavo di alimentazione.

15. Non utilizzare il forno a microonde senza il giradischi e il supporto della piattaforma girevole collocato nella posizione corretta.

16. Utilizzare il forno a microonde solo per cucinare alimenti. Non utilizzare il forno a microonde per asciugare indumenti, carta o altri articoli non alimentari. Non usare il forno a microonde per scopi di sterilizzazione.

17. Non utilizzare mai il forno a microonde vuoto, in quanto ciò potrebbe danneggiare il dispositivo.

18. Non utilizzare l'interno del forno a microonde per conservare alcun prodotto, come carta, libri, ecc.

19. I prodotti alimentari con buccia spessa, come patate, mele o castagne, devono essere forati più volte prima della cottura.

20. Non posizionare oggetti nelle aperture dell'involucro.

21. Non rimuovere mai parti del forno a microonde. **ATTENZIONE:** non rimuovere il

coperchio.

Sorgente per radiazione a microonde e alta tensione.

22. Non cuocere mai direttamente sul giradischi. Mettere sempre il cibo in un piatto sicuro per microonde.

23. Utilizzare solo piatti a prova di microonde.

24. Conservare almeno 30 cm di spazio libero sopra la superficie superiore del forno a microonde.

25. Non friggere cibo nel forno a microonde. L'olio bollente può danneggiare parti del forno a microonde e del piatto e può danneggiare la pelle.

26. **ATTENZIONE:** il liquido riscaldato in un contenitore è molto caldo anche se il contenitore non è caldo da toccare dopo il completamento della cottura e la rimozione dal forno a microonde.

27. Il riscaldamento di bevande in un forno a microonde può causare un ritardo esplosivo di ebollizione - fare attenzione quando si maneggia il contenitore.

28. Per evitare scottature, mescolare o scuotere il contenuto dei biberon e dei vasetti per bambini, quindi controllare la temperatura prima di servire

29. Se vedi fumo spegnere il forno a microonde, rimuovere la spina dalla presa e lasciare la porta chiusa per soffocare le fiamme.

30. I piatti possono scaldarsi a causa del calore prodotto dagli alimenti riscaldati trasferiti sul piatto. Utilizzare una protezione adeguata durante il trasporto delle stoviglie.

31. Per ridurre la probabilità di incendio all'interno del forno a microonde, attenersi alle seguenti regole:

un. non cucinare alimenti in contenitori di carta, plastica o altri materiali infiammabili per un lungo periodo di tempo

b. rimuovere tutti gli elementi metallici dalla confezione prima di posizionarli all'interno del forno a microonde

c. quando si riscaldano alimenti in contenitori di plastica o di carta, controllare frequentemente il forno a microonde a causa della possibilità che il contenitore si incendi

32. **ATTENZIONE:** Se la porta o il suo sigillo sono danneggiati, il forno a microonde non può essere utilizzato finché non viene riparato da una persona qualificata.

33. **AVVERTENZA:** Qualsiasi attività di assistenza o riparazione correlata alla rimozione della copertura protettiva contro l'energia a microonde è pericolosa e dovrebbe essere eseguita da personale qualificato.

34. **ATTENZIONE:** Liquidi e altri alimenti non devono essere riscaldati in contenitori sigillati poiché potrebbero esplodere.

35. Il forno a microonde è destinato all'uso autonomo. Non posizionare il forno a microonde in un armadio.

36. Si raccomanda una pulizia regolare del forno a microonde e la rimozione dei residui di cibo.

37. La mancata pulizia del forno a microonde può causare il deterioramento della superficie, che può influire negativamente sulla durata del forno a microonde e quindi portare a situazioni pericolose.

L'interno del forno a microonde dovrebbe essere tenuto pulito. In caso di sporco delle pareti interne del forno a microonde rimuovere le particelle di cibo o fuoriuscite di liquido con un panno umido.

38. Per lo sporco pesante utilizzare un detergente delicato. Non utilizzare detergenti contenenti abrasivi.

39. Non utilizzare detergenti sotto forma di spray o altri detergenti aggressivi, poiché potrebbero macchiare, screpolare o opacizzare la superficie del forno a microonde e della porta.

40. La superficie esterna del forno a microonde deve essere pulita con un panno umido. Per evitare di danneggiare i componenti all'interno del forno a microonde, accertarsi che l'acqua non goccioli attraverso i fori di ventilazione all'interno.


41. Entrambi i lati della porta, della finestra, della guarnizione della porta e delle parti adiacenti devono essere puliti regolarmente con un panno umido per rimuovere eventuali residui di cibo o liquidi versati.

42. Non permettere che il pannello di controllo si bagni. Pulirlo con un panno morbido e umido. Non utilizzare detergenti, abrasivi o spray detergenti per pulire il pannello di controllo.

43. Se il vapore acqueo si raccoglie all'interno del forno a microonde o intorno alla porta, pulirlo con un panno morbido. Ciò può accadere quando il forno a microonde funziona in condizioni di elevata umidità e quando non ci sono segni di guasto nel dispositivo.

44. Pulire periodicamente il piatto girevole di vetro in acqua calda bollita o in lavastoviglie.

45. Non riscaldare le uova in gusci o uova sode intere nel forno a microonde. Potrebbero esplodere anche dopo il completamento del riscaldamento nel forno a microonde.

46. Non toccare le superfici calde del forno a microonde (porta, parete superiore o inferiore  e pareti laterali). Usare guanti protettivi quando si rimuovono o si toccano elementi caldi.

47. Per fornire una protezione aggiuntiva, si consiglia di installare un dispositivo di corrente residua (RCD) nel circuito di potenza, con una corrente residua non superiore a 30 mA. Contattare l'elettricista professionista in questa materia.

48. **AVVERTENZA:** solo allora consentire ai bambini di utilizzare il forno senza supervisione quando sono state impartite istruzioni adeguate in modo che possano utilizzare il forno in modo sicuro ed essere consapevoli dei rischi derivanti da un uso improprio.

49. I contenitori metallici per alimenti e bevande non possono essere utilizzati in un forno a microonde.

DESCRIZIONE DEL DISPOSITIVO (figura 1)

1. Serratura della porta
2. Finestra del forno a microonde
3. Set di supporto per giradischi
4. Apertura della porta
5. Pannello di controllo
6. Piatto girevole di vetro

PANNELLO DI CONTROLLO (Fig. 2)

- 2.1. Timer 0-30 minuti
- 2.2. Manopola per l'impostazione del livello di potenza
I bassa potenza - 20%
II potenza medio-bassa - 52%

- III: potenza media - 73%
- IIII: potenza medio-alta - 88%
- IIIIII: alta potenza - 100%
- * scongelamento - 42%

PRIMA DEL PRIMO UTILIZZO

1. Assicurarsi che tutta la confezione sia stata rimossa dall'interno del forno a microonde.
2. Verificare che non vi siano segni di danneggiamento, quali porte piegate o deformate, guarnizioni delle porte danneggiate, superficie di contatto danneggiata, cerniere e chiavistelli delle porte incrinati o allentate, ammaccature nel forno a microonde o nella porta. In caso di danni, non utilizzare il dispositivo e contattare il servizio di assistenza.
3. Non esporre il forno a microonde ad alte temperature o umidità e non collocare materiali infiammabili nelle vicinanze.
4. Posizionare il forno a microonde su una superficie piana e stabile, che resisterà al suo peso.
5. Non collocare nulla sopra il forno a microonde o bloccare o coprire i fori di ventilazione.
6. Non rimuovere l'albero del giradischi.
7. Ai fini della sicurezza dei bambini, non lasciare mai il dispositivo incustodito durante il funzionamento.

UTILIZZO DEL DISPOSITIVO

1. Dopo aver posizionato il cibo in un piatto appropriato sul piatto girevole di vetro all'interno del forno a microonde. Chiudere lo sportello del forno a microonde, impostare il livello di potenza desiderato (Fig. 2 .2) e il tempo di cottura sul timer (Fig. 2 .1).
- ATTENZIONE: IL FORNO A MICROONDE AVVIENE IN FUNZIONE IMMEDIATAMENTE DOPO IL TEMPO È IMPOSTATO.**
2. Se il tempo di cottura desiderato è inferiore a 5 minuti, ruotare prima la manopola del timer all'esterno della linea dei 5 minuti, quindi ruotare la manopola del timer indietro per impostare l'ora appropriata.
 3. Se il cibo è stato rimosso dal forno a microonde prima che sia trascorso il tempo di programma impostato, **RUOTARE SEMPRE LA MANOPOLA ALLA POSIZIONE ZERO.**
 4. Per fermare il forno a microonde, ruotare la manopola del timer sulla posizione zero. Se la porta del forno a microonde viene aperta durante la cottura, il forno a microonde smetterà automaticamente di funzionare. La richiusura della porta riavvierà automaticamente il forno a microonde secondo le impostazioni precedenti. Se il tempo rimanente sul timer non è necessario, riportare la manopola del timer sulla posizione zero.
- ATTENZIONE: L'USO DEL FORNO A MICROONDE SENZA QUALSIASI ALIMENTO ALIMENTARE PU D DANNEGGIARE IL DISPOSITIVO.**

PULIZIA E MANUTENZIONE

1. Il forno a microonde dovrebbe essere pulito regolarmente e i residui di cibo dovrebbero essere rimossi regolarmente. Lasciare il forno a microonde non pulito può causare danni alla superficie, che a sua volta può influire negativamente sulla durata del dispositivo e portare a situazioni pericolose.
2. Prima della pulizia, spegnere il forno a microonde e rimuovere la spina dalla presa.
3. L'interno del forno a microonde dovrebbe essere tenuto pulito. In caso di sporco delle pareti interne del forno a microonde rimuovere le particelle di cibo o fuoriuscite di liquido con un panno umido.
4. Per sporco pesante utilizzare un detergente delicato. Non utilizzare detersivi contenenti abrasivi.
5. Non utilizzare detersivi sotto forma di spray o altri detersivi aggressivi, poiché potrebbero macchiare, screpolare o opacizzare la superficie del forno a microonde e della porta.
6. La superficie esterna del forno a microonde deve essere pulita con un panno umido. Per evitare di danneggiare i componenti all'interno del forno a microonde, accertarsi che l'acqua non goccioli attraverso i fori di ventilazione all'interno.
7. Entrambi i lati della porta, della finestra, della guarnizione della porta e delle parti adiacenti devono essere puliti regolarmente con un panno umido per rimuovere eventuali residui di cibo o liquidi versati.
8. Non permettere che il pannello di controllo si bagni. Pulirlo con un panno morbido e umido. Non utilizzare detersivi, abrasivi o spray detersivi per pulire il pannello di controllo.
9. Se il vapore acqueo si raccoglie all'interno del forno a microonde o intorno alla porta, pulirlo con un panno morbido. Ciò può accadere quando il forno a microonde funziona in condizioni di elevata umidità e quando non ci sono segni di guasto nel dispositivo.
10. Pulire periodicamente il piatto girevole di vetro in acqua calda bollita o in lavastoviglie.
11. Per evitare rumori eccessivi durante il funzionamento del forno a microonde, pulire regolarmente il supporto della piattaforma girevole e la base dell'interno del forno a microonde. Per questo è possibile utilizzare un detergente delicato, acqua o detergente per vetri. Il supporto del giradischi può essere lavato in acqua tiepida o in lavastoviglie. Dopo aver pulito il supporto del giradischi, assicurarsi che sia stato montato correttamente dove era prima della rimozione per la pulizia.
12. Il vapore proveniente da cibi cotti o liquidi può accumularsi durante la cottura. Tuttavia, ciò non influisce sulla superficie dell'interno del forno a microonde e sull'anello di supporto della piattaforma girevole.
13. Per rimuovere eventuali odori residui dopo la cottura, mettere una miscela di acqua e succo di limone o acqua e scorza di limone in un piatto sicuro per microonde all'interno del forno a microonde. Riscaldare questa miscela per 5 minuti, quindi pulire l'interno del forno a microonde con un panno morbido.
14. **AVVERTENZA:** il dispositivo non può essere pulito usando un aspirapolvere a vapore

DATI TECNICI:

Alimentazione: 230-240V ~50Hz

Potenza massima: 1100 W

Potenza microonde: 700 W

Frequenza: 2450 MHz

Capacità del forno a microonde: 20 litri



Prendersi cura dell'ambiente

Gli imballi di cartone devono essere smaltiti nel contenitore per la carta. I sacchetti di polietilene (PE) vanno gettati nel contenitore per la plastica. L'apparecchio usato deve essere rottamato presso un centro di raccolta autorizzato, poiché contiene elementi pericolosi che potrebbero costituire una minaccia per l'ambiente. I dispositivi elettrici devono essere resi al fine di evitare il loro riutilizzo. Se il dispositivo contiene una batteria, deve essere rimossa e smaltita separatamente in un punto di raccolta. Non gettare l'apparecchio nei contenitori dei rifiuti urbani!

ALLMÄNNA SÄKERHETSVILLKOR
VIKTIGA INSTRUKTIONER FÖR ANVÄNDNINGSAKERHET LÄS SÄKERHET OCH HÅLL
FÖR FRAMTIDA REFERENS

1. Innan du börjar använda apparaten, läs bruksanvisningen och följ anvisningarna i den. Tillverkaren är inte ansvarig för skador som orsakas av att enheten används för andra ändamål än de som är avsedda eller felaktig användning av enheten.
2. Enheten är endast avsedd för hushållsbruk. Använd inte för andra ändamål än de som är avsedda.
3. Apparaten ska endast anslutas till ett 230-240V ~50Hz jorduttag. För att öka säkerheten kopplas inte flera elektriska enheter samtidigt till en strömkrets.
4. Var särskilt uppmärksam när du använder enheten om det finns barn i närheten. Låt inte barn leka med enheten. Låt inte barn eller personer inte känna till att enheten använder den.
5. **WARNING: Den här enheten kan användas av barn över 8 år och personer med nedsatt fysisk, sensorisk eller mental förmåga, eller personer utan erfarenhet eller kunskap om enheten, endast under överinseende av en person som ansvarar för deras säkerhet, eller om de fick instruktioner om säker användning av enheten och är medvetna om de faror som är förknippade med dess funktion. Barn ska inte leka med enheten. Rengöring och underhåll av apparaten ska inte utföras av barn, såvida de inte är över 8 år och dessa aktiviteter utförs under tillsyn.**
6. Avlägsna alltid kontakten från uttaget genom att hålla uttaget med handen. Dra INTE med nätsladden.
7. Lämna inte enheten ansluten till uttaget utan tillsyn.
8. Doppa inte in kabeln, kontakten och hela enheten i vatten eller andra vätskor. Utsätt inte apparaten för atmosfäriska förhållanden (t.ex. regn, sol etc.) eller använd den i hög luftfuktighet (i badrummet, fuktiga sommarhus).
9. Kontrollera strömkabeln regelbundet. Om nätsladden är skadad ska den bytas ut på ett specialutrustningsuttag för att undvika fara.
10. Använd inte enheten med en skadad nätsladd eller om den har tappats eller skadats på något sätt eller fungerar inte som den ska. Reparera inte apparaten själv eftersom det finns risk för elektrokutsling. Lämna den skadade enheten på lämpligt servicecenter för att kontrolleras eller repareras. Endast auktoriserade servicecenter kan reparera eventuella skador. Felaktig reparation kan medföra allvarlig risk för användaren.
11. Anordningen ska placeras på en sval, stabil, jämn yta, bort från köksapparater för uppvärmning, t.ex. elpannor, gasbrännare etc.
12. Använd inte apparaten nära brandfarliga material.
13. Nätsladden får inte hänga över bordets kant eller vidröra heta ytor.
14. Innan du rengör eller efter användning tar du bort kontakten från eluttaget genom att hålla uttaget med handen. Dra INTE med nätsladden.
15. Använd inte mikrovågsugn utan skivspelare och skivspelaren placerad i rätt läge.

16. Använd endast mikrovågsugnen för matlagning. Använd inte mikrovågsugnen för att torka kläder, papper eller andra föremål utan mat. Använd inte mikrovågsugnen för sterilisering.
17. Använd aldrig mikrovågsugnen tom, eftersom det kan skada enheten.
18. Använd inte inuti mikrovågsugnen för att lagra några produkter, såsom papper, böcker etc.
19. Livsmedel med tjock hud, som potatis, äpplen eller kastanjer, bör genomborras flera gånger före matlagning.
20. Placera inga föremål i öppningarna i huset.
21. Ta aldrig bort några delar av mikrovågsugnen. **WARNING:** Ta inte bort locket.
Källa för mikrovågsstrålning och högspänning.
22. Koka aldrig direkt på skivspelaren. Placera alltid maten i en mikrovågssäker maträtt.
23. Använd endast mikrovågssäker disk.
24. Håll minst 30 cm ledigt utrymme ovanför mikrovågsugnens övre yta.
25. Steka inte mat i mikrovågsugnen. Varm olja kan skada delar av mikrovågsugnen och disken och kan skada din hud.
26. **WARNING:** Uppvärmad vätska i en behållare är väldigt het även om behållaren inte är varm att röra efter matlagning och avlägsnande från mikrovågsugnen.
27. Uppvärmning av drycker i en mikrovågsugn kan orsaka fördröjd explosiv kokning - var försiktig vid hantering av behållaren.
28. För att undvika brännskador blanda eller skaka innehållet i barnens matflaskor och burkar av barnmat, kontrollera sedan temperaturen före servering.
29. Om du ser rök, stäng av mikrovågsugnen, ta ur kontakten från uttaget och lämna dörren stängd för att kväva flammorna.
30. Rätter kan värmas upp som ett resultat av värmen från den uppvärmda mat som övergår till skålen. Använd lämpligt skydd när du transporterar disken.
31. För att minska sannolikheten för brand i mikrovågsugnen följer du följande regler:
 - a. laga inte mat i behållare av papper, plast eller annat brandfarligt material under en längre tid
 - b. Ta bort alla metallelement från förpackningen innan de placeras i mikrovågsugnen
 - c. Vid uppvärmning av mat i plast- eller pappersbehållare, kontrollera mikrovågsugnen ofta på grund av att behållaren kan ta eld
32. **WARNING:** Om luckan eller tätningen är skadad, kan mikrovågsugn inte användas förrän den repareras av en kvalificerad person.
33. **WARNING:** Eventuell service eller reparationsrelaterad verksamhet som innebär att skyddsskyddet tas bort mot mikrovågsenergi är farligt och bör utföras av kvalificerade personer.
34. **WARNING:** Vätskor och andra livsmedel får inte värmas upp i slutna behållare då de kan explodera.
35. Mikrovågsugnen är avsedd för fristående användning. Placera inte mikrovågsugnen i ett skåp.
36. Vanlig rengöring av mikrovågsugn och avlägsnande av livsmedelsrester

rekommenderas.

37. Om du inte håller mikrovågsugnen ren kan det leda till försämring av ytan, vilket kan påverka mikrovågsugnens hållbarhet och därmed leda till farliga situationer.

Mikrovågsugnens insida bör hållas ren. Vid smutsning av mikrovågsugnens inre väggar, ta bort matpartiklarna eller vätskespill med en fuktig trasa.

38. Använd tungt rengöringsmedel för tung smuts. Använd inte rengöringsmedel som innehåller slipmedel.

39. Använd inte rengöringsmedel i en sprutform eller andra starka rengöringsmedel, eftersom de kan fläcka, sträcka eller matta ytan på mikrovågsugnen och dörren.

40. Mikrovågsugnens yttre yta ska rengöras med en fuktig trasa. För att undvika skador på komponenterna i mikrovågsugnen, se till att inget vatten droppar genom ventilationshålen inuti.

41. Dörrarna, fönstret, dörrförseglingen och de närliggande delarna bör regelbundet torkas med en fuktig trasa för att avlägsna livsmedelsrester eller spillda vätskor.

42. Låt inte kontrollpanelen bli våt. Rengör den med en mjuk, fuktig trasa. Använd inte rengöringsmedel, slipmedel eller rengöringsmedel för att rengöra kontrollpanelen.

43. Om vattenånga samlas inuti mikrovågsugnen eller runt dörren, torka av den med en mjuk trasa. Detta kan hända när mikrovågsugnen används vid hög luftfuktighet och när det inte finns några tecken på fel i enheten.

44. Rengör glasskivan regelbundet i varmt, kokt vatten eller i diskmaskinen.

45. Värm inte ägg i skal eller hela hårdkokta ägg i mikrovågsugnen. De kan explodera även efter uppvärmning i mikrovågsugnen.

46. Rör inte mikrovågsugnens heta ytor (dörren, topp- eller bottenväggen och sidoväggarna). Använd skyddshandskar när du tar bort eller rör vid heta element.



47. För att ge ytterligare skydd rekommenderas att man installerar restströmsenhet (RCD) i strömkretsen, med återstående strömstyrka inte över 30 mA. Kontakta professionell elektriker i denna fråga.

48. **WARNING:** Låt då barn tillåtas använda ugnen utan tillsyn när de har fått instruktioner så att de kan använda ugnen på ett säkert sätt och vara medveten om faror som orsakats av felaktig användning.

49. Metallbehållare för mat och dryck får inte användas i mikrovågsugn.

BESKRIVNING AV ENHETEN (fig 1)

1. Dörrlås
2. Mikrovågsugn
3. Turntables support set
4. Öppna dörren
5. Kontrollpanel
6. Glasskivspelare

KONTROLLPANEL (fig 2)

- 2,1. Timer 0-30 minuter
 - 2,2. Knapp för inställning av effektnivån
- I: låg effekt - 20%
II: låg-medium effekt - 52%
III medium effekt - 73%

III: Medium High Power - 88%

IIII: hög effekt - 100%

❄: avfrostning - 42 %^

FÖRE FÖRSTA ANVÄNDNINGEN

1. Se till att all förpackning har tagits bort från mikrovågsugnsens insida.
2. Kontrollera att det inte finns några tecken på skador, såsom en böjd eller krökt dörr, skadade dörrförseglingar, skadad kontaktyta, sprickor eller lösa dörr gångjärn och spärrhakar, damm i mikrovågsugnen eller dörren. Vid eventuella skador, använd inte enheten och kontakta serviceavdelningen.
3. Utsätt inte mikrovågsugnen för höga temperaturer eller fuktighet och lägg inte i närheten av brandfarliga material.
4. Placera mikrovågsugnen på en platt, stabil yta som tål dess vikt.
5. Placera inte något ovanpå mikrovågsugnen eller blockera eller täck ventilationshålen.
6. Ta inte bort skivspelingsaxeln.
7. För barnsäkerhet ska du aldrig lämna enheten obevakad under drift.

ANVÄNDNING AV ENHETEN

1. Efter att maten har placerats i en lämplig maträtt på glasskivan i mikrovågsugnen. Stäng mikrovågsugnsdörren, ställ in önskad effektnivå (bild 2, 2) och tillagningstid på timern (bild 2, 1).

FÖRSIKTIGT: MIKROVÅGNASEN KOMMER TILLÄMPNING GENOM EFTER TIDEN ÄR SET.

2. Om önskad tillagningstid är mindre än 5 minuter, vrid först timerknappen utanför 5-minuterslinjen och vrid sedan timerreglaget för att ställa in lämplig tid.
 3. Om maten har tagits bort från mikrovågsugnen innan den inställda programtiden har gått, Vrid **ALTID KNAPPEN** till **NOLLSTÄLLNINGEN**.
 4. För att stoppa mikrovågsugnen, vrid timerreglaget till nollställning. Om ugnsdörrens dörr öppnas under tillagningen, kommer mikrovågsugnen automatiskt att sluta fungera. Åter stängning av dörren startar automatiskt mikrovågsugnen enligt tidigare inställningar. Om återstående tid på timern inte behövs, vrid timerreglaget tillbaka till nollposition.
- FÖRSIKTIGT: ATT MIKROVÅGEN UNDERHÅLLER UTAN NÅGON MAT INSIDAN SKADAR ENHETEN.**

STÄDNING OCH UNDERHÅLL

1. Mikrovågsugnen ska rengöras regelbundet och matrester ska avlägsnas regelbundet. Om du lämnar mikrovågsugnen orenad kan den orsaka skador på ytan, vilket i sin tur kan påverka enhetens livslängd negativt och leda till farliga situationer.
2. Stäng av mikrovågsugnen före rengöring och ta ur kontakten ur uttaget.
3. Mikrovågsugnsens insida bör hållas ren. Vid smutsning av mikrovågsugns inre väggar, ta bort matpartiklar eller vätskespill med en fuktig trasa.
4. Använd tungt rengöringsmedel för tung smuts. Använd inte rengöringsmedel som innehåller slipmedel.
5. Använd inte rengöringsmedel i en sprutform eller andra starka rengöringsmedel, eftersom de kan fläcka, sträcka eller matta ytan på mikrovågsugnen och dörren.
6. Mikrovågsugnsens ytteryta ska rengöras med en fuktig trasa. För att undvika skador på komponenterna i mikrovågsugnen, se till att inget vatten droppar genom ventilationshålen inuti.
7. Båda sidorna av dörren, fönstret, dörrförseglingen och angränsande delar ska regelbundet torkas med en fuktig trasa för att ta bort eventuella livsmedelsrester eller spillda vätskor.
8. Låt inte kontrollpanelen bli våt. Rengör den med en mjuk, fuktig trasa. Använd inte rengöringsmedel, slipmedel eller rengöringsmedel för att rengöra kontrollpanelen.
9. Om vattenånga samlas inuti mikrovågsugnen eller runt dörren, torka den med en mjuk trasa. Detta kan hända när mikrovågsugnen används vid hög luftfuktighet och när det inte finns några tecken på fel i enheten.
10. Rengör glasskivan regelbundet i varmt, kokt vatten eller i diskmaskinen.
11. För att undvika överdriven buller vid mikrovågsugnsens rengöring rengör du regelbundet skivskivans stöd och botten på mikrovågsugnsens inre. För detta kan du använda ett mildt rengöringsmedel, vatten eller fönsterrenare. Skivspelarens stöd kan tvättas i ljummet vatten eller i diskmaskinen. Efter rengöring av skivbordsstödet måste du se till att den är korrekt monterad där den var innan rengöringen avslöjades.
12. Ånga från kokt mat eller vätska kan samlas under tillagningen. Detta påverkar emellertid inte ytan på mikrovågsugnsens inre och bärplattans stödring.
13. För att avlägsna eventuella resterande lukt efter tillagning, placera en blandning av vatten och citronsaft eller vatten och citronskal i en mikrovågsäker skål inuti mikrovågsugnen. Värm denna blandning i 5 minuter, torka sedan in mikrovågsugnen med en mjuk trasa.
14. **WARNING:** Apparaten kan inte rengöras med en dammsugare

TEKNISK DATA:

Strömkälla: 230-240V ~50Hz

Maximal effekt: 1100 W

Mikrovågsffekt: 700 W

Frekvens: 2450 MHz

Mikrovågsugnsens kapacitet: 20 liter



Vi sköter om miljön. Överlämna förpackningar i kartong till pappersavfall. Polyetylsäckar (PE) slängs i avfallsbehållare för plast. Man bör lämna en gammal apparat till en riktig återvinningscentral, eftersom farliga komponenter i apparaten kan orsaka fara till miljön. En elektrisk apparat bör lämnas för att minska förnyad användning av denna. Om apparaten innehåller batterier, bör man ta bort dem och lämna dem separat till återvinningscentraler.

ЗАГАЛЬНІ УМОВИ БЕЗПЕКИ ВАЖЛИВІ ІНСТРУКЦІЇ ЩОДО БЕЗПЕКИ ВИКОРИСТАННЯ ЗАМОВЛЕННЯ ПРОЧИТАЙТЕ ВНИМАТЕЛЬНО І ДЕРЖАЙТЕ ДЛЯ БУДІВЛЯ

1. Перед першим використанням пристрою прочитайте інструкцію з експлуатації та дотримуйтесь інструкцій, що містяться в ній. Виробник не несе відповідальності за пошкодження, завдані внаслідок використання пристрою в інших цілях, ніж ті, що призначені або через неправильне використання пристрою.
2. Пристрій призначений тільки для домашнього використання. Не використовуйте для інших цілей, ніж передбачається.
3. Пристрій слід підключати лише до розетки заземлення 230-240В ~50Гц.
Для підвищення безпеки одночасно не підключайте кілька електричних пристроїв до однієї схеми живлення.
4. Зверніть особливу увагу при використанні пристрою, якщо поблизу перебувають діти. Не дозволяйте дітям гратися з пристроєм. Не дозволяйте дітям або особам, не знайомим з пристроєм, керувати нею.
5. **ПОПЕРЕДЖЕННЯ: Цей пристрій може використовуватися дітьми старше 8 років та особами зі зниженими фізичними, сенсорними або розумовими можливостями або особами, які не мають досвіду або знань про пристрій, тільки під наглядом особи, відповідальної за їх безпеку, або якщо вони проінструктовані про безпечне використання пристрою і знають про небезпеки, пов'язані з його експлуатацією. Діти не повинні грати з пристроєм. Прибирання та технічне обслуговування пристрою не повинні здійснюватися дітьми, якщо вони не досягли 8-річного віку, і ці заходи здійснюються під наглядом.**
6. Після використання завжди витягуйте вилку з розетки, утримуючи випускний отвір рукою. Не тягніть за шнур живлення.
7. Не залишайте пристрій підключеним до розетки без нагляду.
8. Не занурюйте кабель, роз'єм і весь пристрій у воду або інші рідини. Не піддавайте пристрій впливу атмосферних умов (наприклад, дощ, сонце тощо) або використовуйте його при високій вологості (у ванній кімнаті, вологих дачних будинках).
9. Регулярно перевіряйте стан кабелю живлення. Якщо шнур живлення пошкоджений, його слід замінити у спеціалізованому відділенні, щоб уникнути небезпеки.
10. Не використовуйте пристрій з пошкодженим шнуром живлення або якщо він впав або пошкоджений або не працює належним чином. Не ремонтуйте пристрій самостійно, оскільки існує небезпека ураження електричним струмом. Залиште пошкоджений пристрій у відповідному сервісному центрі для перевірки або ремонту. Пошкодження можуть усунути лише авторизовані сервісні центри. Неправильний

ремонт може призвести до серйозного ризику для користувача.

11. Пристрій слід розміщувати на прохолодній, стійкій, рівній поверхні, подалі від нагрівальних кухонних приладів, таких як електроплити, газові пальники і т.д.

12. Не використовуйте пристрій поблизу легкозаймистих матеріалів.

13. Шнур живлення може не висіти над краєм столу або торкатися гарячих поверхонь.

14. Перед чищенням або після використання вийміть вилку з розетки, утримуючи розетку рукою. Не тягніть за шнур живлення.

15. Не використовуйте мікрохвильову піч без поворотного столу та опори поворотної платформи у правильному положенні.

16. Для приготування їжі використовуйте тільки мікрохвильову піч. Не використовуйте мікрохвильову піч для сушіння одягу, паперу або інших непродовольчих товарів. Не використовуйте мікрохвильову піч для стерилізації.

17. Ніколи не використовуйте мікрохвильову піч порожньо, оскільки це може пошкодити пристрій.

18. Не використовуйте інтер'єр мікрохвильової печі для зберігання будь-яких виробів, таких як папір, книги тощо.

19. Харчові продукти з товстою шкірою, такі як картопля, яблука або каштани, слід проколювати кілька разів перед приготуванням.

20. Не кладіть предмети в отвори в корпусі.

21. Ніколи не знімайте будь-які частини мікрохвильової печі. УВАГА: Не знімайте кришку. Джерело для мікрохвильового випромінювання і високої напруги.

22. Ніколи не готуйте безпосередньо на поворотній платформі. Завжди розміщуйте їжу в посуді, захищеному мікрохвильовою піччю.

23. Використовуйте тільки посуд, безпечний для мікрохвильової печі.

24. Зберігайте мінімум 30 см вільного простору над верхньою поверхнею мікрохвильової печі.

25. Не смажте їжу в мікрохвильовій печі. Гаряче масло може пошкодити частини мікрохвильової печі та блюдо, а також може пошкодити шкіру.

26. ПОПЕРЕДЖЕННЯ: Нагріта рідина в контейнері дуже гаряча, навіть якщо після завершення приготування та вилучення з мікрохвильової печі контейнер не торкається гарячих домішок.

27. Нагрівання напоїв у мікрохвильовій печі може спричинити затримку вибухового кипіння - будьте обережні при роботі з контейнером.

28. Щоб уникнути опіків, змішайте або струсіть вміст дитячих пляшок для годування та баночок дитячого харчування, а потім перевірте температуру перед подачею.

29. Якщо ви бачите дим, вимкніть мікрохвильову піч, вийміть вилку з розетки і залиште двері закритою, щоб заглушити полум'я.

30. Страви можуть нагріватися внаслідок перенесення тепла з нагрітої їжі на блюдо. Використовуйте відповідний захист при перенесенні посуду.

31. Щоб зменшити ймовірність пожежі всередині мікрохвильової печі, дотримуйтесь наступних правил:

а. не готуйте їжу в контейнерах, виготовлених з паперу, пластику або інших

легкозаймистих матеріалів протягом тривалого періоду часу

b. вийміть з упаковки всі металеві елементи перед їх розміщенням у мікрохвильовій печі

c. при нагріванні їжі в пластикових або паперових контейнерах часто перевіряйте мікрохвильову піч через можливість загоряння контейнера

32. ПОПЕРЕДЖЕННЯ: Якщо пошкоджена дверцята або її ущільнення, мікрохвильову піч не можна використовувати, поки вона не буде відремонтована кваліфікованою особою.

33. ПОПЕРЕДЖЕННЯ: Будь-які дії, пов'язані з обслуговуванням або ремонтом, пов'язані з видаленням захисного покриття від мікрохвильової енергії, небезпечні і повинні виконуватися кваліфікованими особами.

34. ПОПЕРЕДЖЕННЯ: Рідина та інші продукти не повинні нагріватися в герметичних контейнерах, оскільки вони можуть вибухнути.

35. Мікрохвильова піч призначена для автономного використання. Не розміщуйте мікрохвильову піч у шафі.

36. Рекомендується регулярно очищення мікрохвильової печі та видалення залишків їжі.

37. Незбереження мікрохвильової печі може призвести до погіршення поверхні, що може негативно вплинути на довговічність мікрохвильової печі і, таким чином, призвести до небезпечних ситуацій.

Внутрішня частина мікрохвильової печі повинна бути чистою. У разі забруднення внутрішніх стін мікрохвильової печі вологою ганчіркою видаліть частинки їжі або розливання рідини.

38. Для важких забруднень використовуйте м'який миючий засіб. Не використовуйте чистячі засоби, що містять абразивні матеріали.

39. Не використовуйте чистячі засоби у формі розпилювача або інші сильні миючі засоби, оскільки вони можуть забруднити, прошарпати або притупити поверхню мікрохвильової печі та дверей.

40. Зовнішню поверхню мікрохвильової печі слід чистити вологою ганчіркою. Щоб уникнути пошкодження компонентів усередині мікрохвильової печі, переконайтеся, що вода не просочується через вентиляційні отвори всередині.

41. Обидві сторони дверей, вікон, ущільнювачів дверей та прилеглих частин повинні регулярно протиратися вологою ганчіркою, щоб видалити залишки або розлиті рідини.

42. Не допускайте намокання панелі керування. Чистіть його м'якою, вологою ганчіркою. Не використовуйте миючі засоби, абразивні матеріали або миючі спреї для очищення панелі керування.

43. Якщо у мікрохвильовій печі або навколо дверей збирається водяна пара, протріть її м'якою тканиною. Це може статися, коли мікрохвильова піч експлуатується в умовах підвищеної вологості, а також при відсутності ознак несправності в пристрої.

44. Періодично очищайте скляний поворотний столик у теплій, кип'яченої води або в посудомийній машині.

45. У мікрохвильовій печі не нагрівайте яйця в раковинах або цілі тверді яйця. Вони

можуть вибухнути навіть після завершення нагрівання в мікрохвильовій печі.

46. Не торкайтеся гарячих поверхонь мікрохвильової печі (двері, верхню або нижню стінку та бічні стінки). Використовуйте захисні рукавички при видаленні або торканні будь-яких гарячих елементів.



47. Щоб забезпечити додатковий захист, рекомендується встановити в силовому контурі пристрій уповільнення струму (РЗД) з залишковим струмом не більше 30 мА. Зверніться до професійного електрика з цього питання.

48. **ПОПЕРЕДЖЕННЯ:** Тільки тоді дозволяйте дітям користуватися піччю без нагляду, якщо їм надані належні інструкції, щоб вони могли безпечно користуватися пічкою та знати про небезпеку, спричинену неправильним використанням.

49. У мікрохвильовій печі не допускається використання металевих контейнерів для харчових продуктів та напоїв.

ОПИС ПРИСТРОЮ (рис. 1)

1. Дверний замок
2. Вікно мікрохвильової печі
3. Комплект підтримки поворотної платформи
4. Відкриття дверей
5. Панель керування
6. Скляний поворотний стіл

ПАНЕЛЬ УПРАВЛІННЯ (рис. 2)

- 2.1. Таймер 0-30 хвилин
- 2.2. Ручка для встановлення рівня потужності

I: низька потужність - 20%

II: низька середня потужність - 52%

III: середня потужність - 73%

III: середня-висока потужність - 88%

III: висока потужність - 100%

✿ розморожування - 42%

ПЕРЕД ПЕРШИМИ ВИКОРИСТАННЯМ

1. Переконайтеся, що всю упаковку вийняли з мікрохвильової печі.
2. Переконайтеся, що немає жодних ознак пошкоджень, таких як зігнуті або викривлені двері, пошкоджені дверні ущільнення, пошкоджені контактні поверхні, тріщини або вільні дверні петлі та засувки, вм'ятина мікрохвильової печі або двері. У разі пошкодження не використовуйте пристрій і зверніться до сервісного відділу.
3. Не піддавайте мікрохвильову піч високій температурі або вологості, а також не розміщуйте поблизу легкозаймисті матеріали.
4. Розмістіть мікрохвильову піч на рівній, стійкій поверхні, яка витримає її вагу.
5. Не розміщуйте нічого на мікрохвильовій печі, не блокуйте і не закривайте вентиляційні отвори.
6. Не знімайте вал поворотної платформи.
7. Для безпеки дітей ніколи не залишайте пристрій без нагляду під час роботи.

ВИКОРИСТАННЯ ПРИСТРОЮ

1. Після розміщення їжі у відповідній посуді на скляній поворотній шафі всередині мікрохвильової печі. Закрийте дверцята мікрохвильової печі, встановіть потрібний рівень потужності (рис. 2 .2) і час готування на таймері (рис. 2 .1).
 - ПОПЕРЕДЖЕННЯ: МІКРОХВИЛЬОВА ПЕЧІ ЗАПУСТИТИ ОПЕРАЦІЮ МІСЬКО ПІСЛЯ ВСТАНОВЛЕННЯ ЧАСУ.**
 2. Якщо бажаний час готування менше 5 хвилин, спочатку поверніть ручку таймера за межі 5-хвилинної лінії, потім поверніть ручку таймера назад, щоб встановити відповідний час.
 3. Якщо їжа була вилучена з мікрохвильової печі до закінчення встановленого часу програми, **ЗАВЖДИ ВІДКЛЮЧАЙТЕ КНОПКА ДО ПОЗИЦІЇ НУЛІ.**
 4. Щоб зупинити мікрохвильову піч, поверніть ручку таймера в нульове положення. Якщо дверцята мікрохвильової печі відкриваються під час процесу приготування, мікрохвильова піч автоматично припинить роботу. Повторне закриття дверей автоматично відновить мікрохвильову піч відповідно до попередніх налаштувань. Якщо час, що залишився, не потрібний, поверніть ручку таймера назад в нульове положення.
- ПОПЕРЕДЖЕННЯ: ЕКСПЛУАТАЦІЯ МІКРОХВИЛЬОВОЇ ПЕЧИ БЕЗ ВСІХ ПРОДУКТІВ, ЩО ВИНАХОДЖУТЬ, МОЖНА ВТРАТИ УСТАНОВКА.**

ОЧИЩЕННЯ ТА ОБСЛУГОВУВАННЯ

1. Мікрохвильову піч слід регулярно чистити, а залишки їжі потрібно регулярно видаляти. Залишання очищеної мікрохвильової печі може призвести до пошкодження поверхні, що в свою чергу може негативно вплинути на термін служби пристрою та призвести до небезпечних ситуацій.
2. Перед очищенням вимкніть мікрохвильову піч і витягніть вилку з розетки.

3. Внутрішня частина мікрохвильової печі повинна бути чистою. У разі забруднення внутрішніх стін мікрохвильової печі вологою ганчіркою видаліть частинки їжі або розливання рідини.
4. Для важких забруднень використовуйте м'який мийний засіб. Не використовуйте чистячі засоби, що містять абразивні матеріали.
5. Не використовуйте чистячі засоби у формі розпилювача або інші сильні мийчі засоби, оскільки вони можуть забруднити, розтерти або притупити поверхню мікрохвильової печі та двері.
6. Зовнішню поверхню мікрохвильової печі слід чистити вологою ганчіркою. Щоб уникнути пошкодження компонентів усередині мікрохвильової печі, переконайтеся, що вода не просочується через вентиляційні отвори всередині.
7. Обидві сторони дверцят, вікон, ущільнювачів дверей та сусідніх частин повинні регулярно протиратися вологою ганчіркою, щоб видалити залишки або розліти рідини.
8. Не дозволяйте панелі керування намокати. Чистіть його м'якою, вологою ганчіркою. Не використовуйте мийчі засоби, абразивні матеріали або мийчі спреї для очищення панелі керування.
9. Якщо у мікрохвильовій печі або навколо дверей збирається водяна пара, протріть її м'якою тканиною. Це може статися, коли мікрохвильова піч експлуатується в умовах підвищеної вологості, а також при відсутності ознак несправності в пристрої.
10. Періодично чистіть скляну поворотну шайбу в теплій, кип'яченої води або в посудомийній машині.
11. Щоб уникнути надмірного шуму під час роботи мікрохвильової печі, регулярно чистіть опору поворотної платформи та основу інтер'єру мікрохвильової печі. Для цього можна використовувати м'який мийчий засіб, очищувач води або вікон. Опори вертушки можна мити в теплій воді або в посудомийній машині. Після очищення опори поворотної платформи переконайтеся, що він правильно встановлений там, де він був перед зняттям для очищення.
12. Під час приготування їжі може збиратися пара з приготовленої їжі або рідини. Однак це не впливає на поверхню внутрішньої частини мікрохвильової печі і на опору кільця.
13. Щоб видалити залишки запаху після приготування, помістіть у мікрохвильову піч суміш води і лимонного соку або води і лимонної цедри. Нагрійте цю суміш протягом 5 хвилин, потім протріть внутрішню поверхню мікрохвильової печі м'якою тканиною.
14. **ПОПЕРЕДЖЕННЯ:** Пристрій не можна очистити за допомогою парового пилососа

ТЕХНІЧНІ ДАНІ:

Джерело живлення: 230-240V ~50Гц
 Максимальна потужність: 1100 Вт
 Мікрохвильова потужність: 700 Вт
 Частота: 2450 МГц
 Ємність мікрохвильової печі: 20 літрів



У інтересах навколишнього середовища.

Будь ласка, віддайте картонну упаковку в місце збору мукулатури. Політиленові мішки (PE) викинути в смітник для пластику. Відпрацьований пристрій повинен бути відправлений у відповідну точку зберігання, тому що в пристрої є небезпечні інгредієнти, які можуть становити загрозу навколишньому середовищу. Електричний пристрій потрібно повернути так, щоб обмежити його повторне використання. Якщо у пристрої є батарейки, то потрібно їх витягнути і віддати до відповідного пункту.



SLOVENŠČINA

SPLOŠNI VARNOSTNI POGOJI

ПОМЕБНА НАВОДИЛА ЗА VARNOST UPORABE PROSIMO, PREBERITE IN POGLEDAJTE ZA PRIHODNOST

1. Pred prvo uporabo naprave preberite navodila za uporabo in sledite navodilom, ki jih vsebuje. Proizvajalec ne odgovarja za škodo, ki jo povzroči uporaba naprave za namene, ki niso namenjeni ali zaradi nepravilne uporabe naprave.
2. Naprava je namenjena samo za domačo uporabo. Ne uporabljajte za druge namene, kot so predvideni.
3. Napravo priključite samo na ozemljitveno vtičnico 230-240V ~50Hz. Za večjo varnost ne povežite več električnih naprav v en močnostni tokokrog.
4. Bodite posebej pozorni pri uporabi naprave, če so otroci v bližini. Ne dovolite, da se otroci igrajo z napravo. Otrokom ali osebam, ki naprave ne poznajo, ne dovolite, da ga upravljajo.
5. **OPOZORILO:** Napravo lahko uporabljajo otroci, starejši od 8 let, in osebe z zmanjšanimi fizičnimi, čutnimi ali duševnimi sposobnostmi ali osebe, ki nimajo izkušenj ali znanja o napravi, samo pod nadzorom osebe, odgovorne za njihovo varnost, ali če so bili poučeni o varni uporabi naprave in se zavedajo nevarnosti, povezanih z delovanjem naprave. Otroci se ne smejo igrati z napravo. Čiščenje in vzdrževanje naprave ne smejo izvajati otroci, razen če so starejši od 8 let in se te dejavnosti izvajajo pod nadzorom.

6. Po uporabi vedno izvlecite vtičak iz vtičnice tako, da držite vtičnico z roko. NE vlecite za napajalni kabel.
7. Naprave ne puščajte priključene na vtičnico brez nadzora.
8. Kabla, vtiča in celotne naprave ne potaplajte v vodo ali druge tekočine. Naprave ne izpostavljajte atmosferskim pogojem (npr. Dežju, soncu itd.) Ali jih uporabljajte pri visoki vlažnosti (v kopalnici, vlažnih počitniških hišah).
9. Redno preverjajte stanje napajalnega kabla. Če je napajalni kabel poškodovan, ga je treba zamenjati v strokovni servisni delavnici, da preprečite nevarnost.
10. Naprave ne uporabljajte s poškodovanim napajalnim kablom ali če je padel ali je poškodovan na kakršenkoli način ali ne deluje pravilno. Naprave ne popravljajte sami, saj obstaja nevarnost električnega udara. Poškodovano napravo pustite na ustreznem servisnem centru, da ga lahko preverite ali popravite. Poškodbe lahko popravijo samo pooblaščen servisni centri. Nepravilno popravilo lahko povzroči resno nevarnost za uporabnika.
11. Napravo namestite na hladno, stabilno, ravno površino, stran od ogrevanja kuhinjskih aparatov, kot so električni kuhalniki, plinski gorilniki itd.
12. Naprave ne uporabljajte v bližini vnetljivih materialov.
13. Napajalni kabel ne sme viseti preko roba mize ali se dotikati vročih površin.
14. Pred čiščenjem ali po uporabi izvlecite vtič iz vtičnice tako, da držite vtičnico z roko. NE vlecite za napajalni kabel.
15. Ne uporabljajte mikrovalovne pečice brez vrtljivega pladnja in stojala za gramofone v pravilnem položaju.
16. Mikrovalovno pečico uporabljajte samo za kuhanje hrane. Mikrovalovne pečice ne uporabljajte za sušenje oblačil, papirja ali drugih neživilskih izdelkov. Ne uporabljajte mikrovalovne pečice za sterilizacijo.
17. Mikrovalovne pečice nikoli ne uporabljajte prazne, ker lahko poškodujete napravo.
18. V notranjosti mikrovalovne pečice ne uporabljajte nobenih izdelkov, kot so papir, knjige itd.
19. Pred kuhanjem je treba večkrat preboditi prehrabene proizvode z debelo kožo, kot so krompir, jabolka ali kostanj.
20. V odprtine v ohišju ne postavljajte nobenih predmetov.
21. Nikoli ne odstranjujte delov mikrovalovne pečice. POZOR: Ne odstranjujte pokrova. Vir mikrovalovnega sevanja in visoke napetosti.
22. Nikoli ne kuhajte neposredno na gramofonu. Hrano vedno postavite v mikrovalovno pečico.
23. Uporabljajte samo jedi, varne v mikrovalovni pečici.
24. Nad zgornjo površino mikrovalovne pečice naj bo vsaj 30 cm prostega prostora.
25. Ne pražite hrane v mikrovalovni pečici. Vroče olje lahko poškoduje dele mikrovalovne pečice in posodo ter poškoduje vašo kožo.
26. OPOZORILO: Ogrevana tekočina v posodi je zelo vroča, tudi če se po končanem kuhanju in odstranitvi iz mikrovalovne pečice ne dotika vroče posode.
27. Ogrevanje pijač v mikrovalovni pečici lahko povzroči zakasnjeno vretje z eksplozivom -

pazite pri ravnanju s posodo.

28. Da bi se izognili opeklinam, premešajte ali pretresite vsebino otroških stekleničk in kozarcev otroške hrane, nato preverite temperaturo pred serviranjem.

29. Če opazite, da je mikrovalovna pečica izklopljena, izvlecite vtič iz vtičnice in pustite vrata zaprta, da se plamen zavira.

30. Jedi se lahko segrejejo zaradi toplote ogrevane hrane, ki se prenaša na posodo. Pri prenašanju posod uporabite ustrezno zaščito.

31. Če želite zmanjšati verjetnost požara v mikrovalovni pečici, upoštevajte naslednja pravila:

a. hrane ne kuhajte v posodah iz papirja, plastike ali drugih vnetljivih materialov dlje časa
b. Preden jih namestite v mikrovalovno pečico, odstranite vse kovinske elemente iz embalaže

c. pri ogrevanju hrane v plastičnih ali papirnih posodah pogosto preverjajte mikrovalovno pečico zaradi možnosti, da se posoda zažge

32. OPOZORILO: Če so vrata ali tesnilo poškodovana, se mikrovalovna pečica ne sme uporabljati, dokler je ne popravi usposobljena oseba.

33. OPOZORILO: Vse dejavnosti, povezane s servisiranjem ali popravilom, ki vključujejo odstranitev zaščite pokrova pred mikrovalovno energijo, so nevarne in jih morajo opraviti usposobljene osebe.

34. OPOZORILO: Tekočin in drugih živil ne smete segrevati v zaprtih posodah, saj lahko eksplodirajo.

35. Mikrovalovna pečica je namenjena samostojni uporabi. Mikrovalovne pečice ne postavljajte v omaro.

36. Priporoča se redno čiščenje mikrovalovne pečice in odstranjevanje ostankov hrane.

37. Če mikrovalovne pečice ne boste čistili, lahko pride do poslabšanja površine, kar lahko negativno vpliva na trajnost mikrovalovne pečice in tako povzroči nevarne situacije. Notranjost mikrovalovne pečice mora biti čista. V primeru umazanije notranjih sten mikrovalovne pečice odstranite delce hrane ali razlite tekočine z vlažno krpo.

38. Za težko umazanijo uporabite blag detergent. Ne uporabljajte čistilnih sredstev, ki vsebujejo abrazivna sredstva.


39. Ne uporabljajte čistilnih sredstev v obliki razpršila ali drugih močnih čistilnih sredstev, saj lahko na površini mikrovalovne pečice in vratih nastanejo madeži, madeži ali neumnost.

40. Zunanje površine mikrovalovne pečice očistite z vlažno krpo. Da bi se izognili poškodbam komponent v mikrovalovni pečici, pazite, da skozi prezračevalne odprtine ne kaplja voda.

41. Obe strani vrat, oken, tesnila vrat in sosednjih delov redno obrišite z vlažno krpo, da odstranite ostanke hrane ali razlite tekočine.

42. Ne dovolite, da bi se nadzorna plošča zmočila. Očistite ga z mehko, vlažno krpo. Za čiščenje nadzorne plošče ne uporabljajte čistil, abrazivnih sredstev ali razpršil za čiščenje.

43. Če se v mikrovalovni pečici ali okrog vrat zbira vodna para, jo obrišite z mehko krpo. To se lahko zgodi, če mikrovalovna pečica deluje v pogojih visoke vlažnosti in kadar ni znakov napake v napravi.

44. Občasno očistite stekleno vrtljivo mizo s toplo, vrelo vodo ali v pomivalnem stroju.
45. V mikrovalovni pečici ne segrevajte jajc v lupini ali celih trdo kuhanih jajc. Lahko eksplodirajo tudi po zaključku ogrevanja v mikrovalovni pečici.
46. Ne dotikajte se vročih površin mikrovalovne pečice (vrat, zgornje ali spodnje stene in stranskih sten). Pri odstranjevanju ali dotikanju vročih elementov uporabljajte zaščitne rokavice.
- 
47. Da bi zagotovili dodatno zaščito, je priporočljivo v napajalni tokokrog namestiti napravo za zadrževanje toka (RCD) s preostalo tokovno močjo največ 30 mA. V zvezi s tem se obrnite na profesionalnega električarja.
48. **OPOZORILO:** Otrokom dovolite, da uporabljajo pečico brez nadzora, če so jim bila dana ustrezna navodila, da lahko varno uporabljajo pečico in se zavedajo nevarnosti, ki so posledica nepravilne uporabe.
49. Kovinske posode za hrano in pijače se ne smejo uporabljati v mikrovalovni pečici.

OPIS NAPRAVE (sl. 1)

1. Zapah vrat
2. Okno mikrovalovne pečice
3. Podpora za gramofone
4. Odpiranje vrat
5. Nadzorna plošča
6. Stekljeni gramofon

NADZORNA PLOŠČA (slika 2)

- 2.1. Časovnik 0–30 minut
 - 2.2. Gumb za nastavitev moči
- I: nizka moč - 20%
- II: nizka srednja moč - 52%
- III: srednja moč - 73%
- IIII: srednje visoka moč - 88%
- IIIII: velika moč - 100%
- ☼: odmrzovanje - 42%

PRED PRVO UPORABO

1. Prepričajte se, da je vsa embalaža odstranjena iz notranjosti mikrovalovne pečice.
2. Preverite, da ni nobenih znakov poškodb, kot so opognjena ali opognjena vrata, poškodovana tesnila na vratih, poškodovane kontaktne površine, razpokane ali ohlapne tečaji vrat in ključavnice, zobje v mikrovalovni pečici ali vratih. V primeru kakršnekoli poškodbe naprave ne uporabljajte in se obrnite na servisno službo.
3. Ne izpostavljajte mikrovalovne pečice visokim temperaturam ali vlagi in ne postavljajte v bližini vnetljivih materialov.
4. Mikrovalovno pečico postavite na ravno, stabilno površino, ki bo zdržala svojo težo.
5. Na mikrovalovno pečico ne postavljajte ničesar, ne blokirajte in ne prekrivajte prezračevalnih odprtin.
6. Ne odstranjujte osi vrtljive plošče.
7. Za namene varnosti otrok med delovanjem naprave nikoli ne pustite brez nadzora.

UPORABA NAPRAVE

1. Po namestitvi hrane v ustrezno posodo na stekleni vrtljivi mizi v mikrovalovni pečici. Zaprite vrata mikrovalovne pečice, nastavite zeleno stopnjo moči (Sl. 2 .2) in čas kuhanja na časovniku (Sl. 2 .1).
- PREVIDNO: MIKROVALOVNA PEČICA POSTAJE TAKOJ PO NASTAVITVI ČASA.**
2. Če je želeni čas kuhanja krajši od 5 minut, najprej obrnite gumb za časovnik zunaj 5-minutne linije, nato pa gumb vrtljivega časa obrnite nazaj, da nastavite ustrezen čas.
 3. Če je bilo živilo odstranjeno iz mikrovalovne pečice pred potekom nastavljenega programskega časa, **VEDNO VKLJUČUJTE NOGO NA NIČNO POLOŽAJ.**
 4. Za zaustavitev mikrovalovne pečice obrnite gumb za nastavitev časa na ničelni položaj. Če se med kuhanjem odprejo vrata mikrovalovne pečice, bo mikrovalovna pečica samodejno prenehala delovati. Ponovno zapiranje vrat bo samodejno ponovno vklopilo mikrovalovno pečico kot v prejšnjih nastavitvah. Če preostali čas na časovniku ni potreben, obrnite gumb za časovnik nazaj na ničelni položaj.
- PREVIDNO: UPORABA MIKROVALOVNE PEČICE BREZ VSEH ŽIVIL V MERI, LAHKO POŠKODITE NAPRAVI.**

ČIŠČENJE IN VZDRŽEVANJE

1. Mikrovalovno pečico je treba redno čistiti in redno odstranjevati ostanke hrane. Neočiščena mikrovalovna pečica lahko poškoduje površino, kar lahko negativno vpliva na življenjsko dobo naprave in povzroči nevarne situacije.
2. Pred čiščenjem izklopite mikrovalovno pečico in izvlecite vtič iz vtičnice.
3. Notranjost mikrovalovne pečice naj bo čista. V primeru umazanije notranjih sten mikrovalovne pečice odstranite delce hrane ali razlize tekočine z vlažno krpo.
4. Za težko umazanijo uporabite blag detergent. Ne uporabljajte čistilnih sredstev, ki vsebujejo abrazivna sredstva.
5. Ne uporabljajte čistilnih sredstev v obliki razpršila ali drugih močnih čistilnih sredstev, saj lahko na površini mikrovalovne pečice in vratih nastanejo madeži, madeži ali neumnost.
6. Zunanje površine mikrovalovne pečice očistite z vlažno krpo. Da bi se izognili poškodbam komponent v mikrovalovni pečici, pazite, da skozi prezračevalne odprtine ne kaplja voda.
7. Obe strani vrat, oken, tesnila vrat in sosednjih delov redno obrišite z vlažno krpo, da odstranite ostanke hrane ali razlize tekočine.
8. Ne dovolite, da bi se nadzorna plošča zmočila. Očistite ga z mehko, vlažno krpo. Za čiščenje nadzorne plošče ne uporabljajte čistil, abrazivnih sredstev ali razpršil za čiščenje.
9. Če se v mikrovalovni pečici ali okrog vrat zbira vodna para, jo obrišite z mehko krpo. To se lahko zgodi, če mikrovalovna pečica deluje v pogojih visoke vlažnosti in kadar ni znakov napake v napravi.
10. Občasno očistite stekleno ploščo s toplo, vrelo vodo ali v pomivalnem stroju.
11. Da bi se izognili pretiranemu hrupu med delovanjem mikrovalovne pečice, redno čistite nosilec gramofona in podnožje notranjosti mikrovalovne pečice. Za to lahko uporabite blago čistilo, sredstvo za čiščenje vode ali oken. Nosilec vrtljive plošče se lahko opere v mlačni vodi ali v pomivalnem stroju. Po čiščenju nosilca gramofona se prepričajte, da je bil pravilno nameščen tam, kjer je bil pred odstranitvijo zaradi čiščenja.
12. Med kuhanjem se lahko zbirajo hlapi iz kuhane hrane ali tekočine. Vendar to ne vpliva na površino notranjosti mikrovalovne pečice in podpornega obroča.
13. Po kuhanju odstranite morebitne preostale vonjave, v mikrovalovno pečico položite mešanico vode in limoninega soka ali vode in limonine lupine. To mešanico segrejemo 5 minut, nato jo z mehko krpo obrišemo v notranjosti mikrovalovne pečice.
14. OPOZORILO: Naprave ni mogoče očistiti s parnim sesalcem

TEHNIČNI PODATKI:

Vir napajanja: 230-240V ~50Hz

Največja moč: 1100 W

Mikrovalovna moč: 700 W

Pogostost: 2450 Mhz

Kapaciteta mikrovalovne pečice: 20 litrov



Skrbimo za okolje. Kartonska embalaža, prosim darovati na odpadni papir. Polietilenske vreče (PE) mečite v posoda za plastiko. Dotrajane naprave je treba vrniti na ustrezno zbirno mesto, ker vsebovane v napravo nevarne elemente lahko predstavljajo nevarnost za okolje. Električna naprava je treba vrniti kakor, da se omeji njegovo ponovno uporabo in izkoriščenost. Če naprava vsebuje baterijo, je treba odstraniti in ločeno dati nazaj na mesta skladiščenja.

(AR) عربي

شروط السلامة العامة

1. تعليمات مهمة حول سلامة الاستخدام ، يرجى قراءتها بعناية والاحتفاظ بها للرجوع إليها في المستقبل قبل استخدام الجهاز لأول مرة ، يرجى قراءة دليل التعليمات واتباع التعليمات الواردة فيه. المُصنَّع .
غير مسؤول عن التلف الناتج عن استخدام الجهاز لأغراض أخرى غير الأغراض المقصودة أو الناتجة عن الاستخدام غير الصحيح للجهاز.
2. الجهاز للاستخدام المنزلي فقط. لا تستخدم لأغراض أخرى غير تلك المقصودة .
3. يجب توصيل الجهاز بمنفذ تأريض ٢٣٠-٢٤٠ فولت ~ ٥٠ هرتز فقط .
4. لزيادة الأمان ، لا تقم بتوصيل أجهزة كهربائية متعددة في نفس الوقت بدائرة طاقة واحدة انتبه بشكل خاص عند استخدام الجهاز إذا كان هناك أطفال بالقرب منك. لا تسمح للأطفال باللعب .
بالجهاز. لا تسمح للأطفال أو الأشخاص الذين ليسوا على دراية بالجهاز بتشغيله.
5. تحذير: يمكن استخدام هذا الجهاز من قبل الأطفال الذين تزيد أعمارهم عن ٨ سنوات والأشخاص الذين يعانون من ضعف القدرات البدنية أو الحسية أو العقلية ، أو الأشخاص الذين ليس لديهم خبرة أو معرفة بالجهاز ، فقط تحت إشراف شخص مسؤول عن سلامتهم ، أو إذا تم إرشادهم بشأن الاستخدام

- الآمن للجهاز وكانوا على دراية بالمخاطر المرتبطة بتشغيله. يجب ألا يلعب الأطفال بالجهاز. لا ينبغي أن يقوم الأطفال بتنظيف الجهاز وصيانته ، إلا إذا كان عمرهم أكبر من ٨ سنوات ويتم تنفيذ هذه الأنشطة تحت إشراف
٦. بعد الاستخدام ، قم دائماً بإزالة القابس من المنفذ عن طريق إمساك المنفذ بيدك. لا تسحب سلك الطاقة .
لا تترك الجهاز متصلاً بالمأخذ بدون إشراف ٧.
٨. لا تغمر الكابل والقابس والجهاز بالكامل في الماء أو السوائل الأخرى. لا تعرض الجهاز للظروف الجوية (مثل المطر والشمس وما إلى ذلك) ولا تستخدمه في الرطوبة العالية (في الحمام ، والمنازل الصيفية الرطبة).
٩. افحص حالة سلك الطاقة بانتظام. في حالة تلف سلك الطاقة ، يجب استبداله في منفذ إصلاح متخصص .
لتجنب الخطر
- لا تستخدم الجهاز بسلك طاقة تالف أو في حالة سقوطه أو تلفه بأي شكل من الأشكال أو لا يعمل ١٠ .
بشكل صحيح. لا تقم بإصلاح الجهاز بنفسك حيث يوجد خطر حدوث صعق كهربائي. اترك الجهاز التالف في مركز الخدمة المناسب لفحصه أو إصلاحه. يمكن لمراكز الخدمة المعتمدة فقط إصلاح أي أضرار .
يمكن أن يؤدي الإصلاح غير السليم إلى مخاطر جسيمة على المستخدم
١١. يجب وضع الجهاز على سطح مستوي وبارد ومستقر بعيداً عن أجهزة التدفئة في المطبخ مثل المواقد الكهربائية ومواقد الغاز وما إلى ذلك
- لا تستخدم الجهاز بالقرب من المواد القابلة للاشتعال ١٢ .
قد لا يتبدل سلك الطاقة على حافة الطاولة أو يلمس الأسطح الساخنة ١٣ .
- قبل التنظيف أو بعد الاستخدام ، قم بإزالة القابس من مأخذ الطاقة عن طريق إمساك المنفذ بيدك. لا ١٤ .
تسحب سلك الطاقة
- لا تستخدم فرن الميكروويف بدون القرص الدوار ودعامة القرص الدوار في الموضع الصحيح ١٥ .
استخدم فرن الميكروويف فقط لطهي الطعام. لا تستخدم فرن الميكروويف لتجفيف الملابس أو الورق ١٦ .
أو غير ذلك من المواد غير الغذائية. لا تستخدم فرن الميكروويف لأغراض التعقيم
- لا تستخدم فرن الميكروويف فارغاً ، فقد يؤدي ذلك إلى تلف الجهاز ١٧ .
لا تستخدم فرن الميكروويف من الداخل لتخزين أي منتجات ، مثل الورق والكتب وما إلى ذلك ١٨ .
المنتجات الغذائية ذات القشرة السمكية ، مثل البطاطس أو التفاح أو الكستناء ، يجب ثقبها عدة مرات ١٩ .
قبل الطهي
- لا تضع أي عناصر في الفتحات الموجودة في السكن ٢٠ .
لا تقم مطلقاً بإزالة أي أجزاء من فرن الميكروويف. تنبيه: لا تقم بإزالة الغطاء ٢١ .
مصدر إشعاع الميكروويف والجهد العالي
- لا تطبخ مباشرة على القرص الدوار. ضع الطعام دائماً في طبق آمن للاستخدام في الميكروويف ٢٢ .
استخدم فقط الأطباق الآمنة في الميكروويف ٢٣ .
احتفظ بمساحة خالية لا تقل عن ٣٠ سم فوق السطح العلوي لفرن الميكروويف ٢٤ .
لا تقلق الطعام في فرن الميكروويف. يمكن أن يتسبب الزيت الساخن في إتلاف أجزاء من فرن ٢٥ .
الميكروويف والطبق ، ويمكن أن يتلف بشرتك
- تحذير: السائل المسخن في وعاء ساخن جدا حتى لو لم تكن الحاوية ساخنة للمس بعد الانتهاء من ٢٦ .
ن فرن الميكروويف 109 الطهي وإخراجهم
- قد يؤدي تسخين المشروبات في فرن الميكروويف إلى تأخر الغليان المتفجر - توخ الحذر عند التعامل ٢٧ .
مع الحاوية
- لتجنب الحروق ، تخط أو تهز محتويات زجاجات رضاعة الأطفال وعلب أغذية الأطفال ، ثم افحص ٢٨ .
درجة الحرارة قبل التقديم
- إذا رأيت دخاناً ، أطفئ فرن الميكروويف ، انزع السدادة من المنفذ واترك الباب مغلقاً لإخماد النيران ٢٩ .

قد تسخن الأطباق نتيجة انتقال حرارة الطعام الساخن إلى الطبق. استخدم الحماية المناسبة عند حمل ٣٠. الأطباق.

لتقليل احتمالية نشوب حريق داخل فرن الميكروويف ، اتبع القواعد التالية. 31.

أ. لا تطبخ الطعام في حاويات مصنوعة من الورق أو البلاستيك أو مواد أخرى قابلة للاشتعال لفترة طويلة من الزمن

ب. قم بإزالة جميع العناصر المعدنية من العبوة قبل وضعها داخل فرن الميكروويف

ج. عند تسخين الطعام في أوعية بلاستيكية أو ورقية ، افحص فرن الميكروويف بشكل متكرر بسبب احتمال اشتعال الحاوية

تحذير: في حالة تلف الباب أو الختم ، لا يمكن استخدام فرن الميكروويف حتى يتم إصلاحه بواسطة ٣٢. شخص مؤهل

تحذير: أي خدمة أو أنشطة متعلقة بالإصلاح تنطوي على إزالة الغطاء الوافي من طاقة الميكروويف ٣٣. تعتبر خطيرة ويجب أن يقوم بها أشخاص مؤهلون

تحذير: يجب عدم تسخين السوائل والأطعمة الأخرى في عبوات محكمة الغلق لأنها قد تنفجر ٣٤.

فرن الميكروويف مخصص للاستخدام المستقل. لا تضع فرن الميكروويف في الخزانة ٣٥.

يوصى بالتنظيف المنتظم لفرن الميكروويف وإزالة بقايا الطعام ٣٦.

قد يؤدي عدم الحفاظ على فرن الميكروويف نظيفاً إلى تدهور السطح ، مما قد يؤثر سلباً على متانة فرن ٣٧. الميكروويف وبالتالي يؤدي إلى مواقف خطيرة

، يجب الحفاظ على نظافة فرن الميكروويف من الداخل. في حالة اتساخ الجدران الداخلية لفرن الميكروويف قم بإزالة جزيئات الطعام أو السوائل المنسكبة بقطعة قماش مبللة

للأوساخ الثقيلة ، استخدم منظفاً خفيفاً. لا تستخدم مواد التنظيف التي تحتوي على مواد كاشطة ٣٨.

لا تستخدم مواد التنظيف في شكل رذاذ أو غيرها من مواد التنظيف القوية ، لأنها قد تلطخ ، أو تتسبب ٣٩. في تلطيخ سطح فرن الميكروويف والباب

يجب تنظيف السطح الخارجي لفرن الميكروويف بقطعة قماش مبللة. لتجنب تلف المكونات داخل فرن ٤٠. الميكروويف ، تأكد من عدم تسرب الماء من خلال فتحات التهوية بالداخل

يجب مسح جانبي الباب والنافذة وختم الباب والأجزاء المجاورة بانتظام بقطعة قماش مبللة لإزالة أي ٤١. بقايا طعام أو سوائل مسكوبة

لا تسمح للبلل بلل لوحة التحكم. نظفها بقطعة قماش ناعمة ورطبة. لا تستخدم المنظفات أو المواد ٤٢. الكاشطة أو بخاخات التنظيف لتنظيف لوحة التحكم

إذا تجمع بخار الماء داخل فرن الميكروويف أو حول الباب ، امسح بقطعة قماش ناعمة. يمكن أن ٤٣. يحدث هذا عندما يتم تشغيل فرن الميكروويف في ظروف الرطوبة العالية ، وعندما لا توجد علامات على وجود عطل في الجهاز

قم بتنظيف القرص الزجاجي بشكل دوري بالماء المغلي الدافئ أو في غسالة الأطباق ٤٤. لا تسخن البيض في قشر أو بيض مسلوقة بالكامل في فرن الميكروويف. قد تنفجر حتى بعد الانتهاء ٤٥. من التسخين في فرن الميكروويف

لا تلمس الأسطح الساخنة لفرن الميكروويف (الباب ، الجدار العلوي أو السفلي ، والجدران الجانبية) ٤٦. استخدم القفازات الواقية عند إزالة أو لمس أي عناصر ساخنة

في دائرة الطاقة ، مع (RCD) من أجل توفير حماية إضافية ، يوصى بتركيب جهاز التيار المتبقي ٤٧. تصنيف التيار المتبقي لا يزيد عن ٣٠ مللي أمبير. تواصل مع كهربائي محترف في هذا الشأن

تحذير: عندها فقط سمح للأطفال باستخدام الفرن دون إشراف عندما يتم إعطاء التعليمات المناسبة لهم ٤٨. حتى يتمكنوا من استخدام الفرن بأمان ويكونوا على دراية بالمخاطر الناتجة عن الاستخدام غير السليم

لا يسمح باستخدام الحاويات المعدنية للأغذية والمشروبات في فرن الميكروويف ٤٩.

وصف الجهاز (الشكل ١)

قفل الباب ١.

نافذة المايكرويف ٢.
مجموعة دعم القرص الدوار ٣.

فتح الباب ٤.

لوحة تحكم ٥.

القرص الدوار الزجاجي ٦.

لوحة التحكم (الشكل ٢)

الموقت ٣٠-٠٠ دقيقة ٧,١.

مقبض لضبط مستوى الطاقة ٧,٢.

%منخفض: طاقة منخفضة - ١٧

%متوسط: قوة متوسطة - ٦٦

%عالية: متوسطة عالية الطاقة - ٨٥

%عالية: عالية الطاقة - ١٠٠

%تدوير: إذابة الجليد - ٤٠

قبل الاستخدام الأول

١. تأكد من إزالة جميع العبوات من داخل فرن المايكرويف

تأكد من عدم وجود علامات تلف ، مثل الباب المنحني أو الملتوي ، أو اختتام الباب التالفة ، أو سطح التلامس التالف ، أو مفصلات الأبواب والمزالج .

المصدعة أو المفككة ، أو انبعاج في فرن المايكرويف أو الباب. في حالة حدوث أي ضرر لا تستخدم الجهاز والاتصال بقسم الخدمة

لا تعرض فرن المايكرويف لدرجات حرارة عالية أو رطوبة ولا تضع بالقرب من المواد القابلة للاشتعال ٣.

ضع فرن المايكرويف على سطح مستو وثابت يتحمل وزنه - ٤

لا تضع أي شيء فوق فرن المايكرويف أو تسد فتحات التهوية أو تغطيها ٥.

لا تقم بإزالة عمود الدوران ٦.

لدواعي سلامة الأطفال ، لا تترك الجهاز دون مراقبة أثناء التشغيل ٧.

استخدام الجهاز

١. بعد وضع الطعام في طبق مناسب على القرص الزجاجي داخل فرن المايكرويف. أغلق باب فرن المايكرويف ، اضبط مستوى الطاقة المطلوب (الشكل ٢, ٢).

ووقت الطهي على الموقت (الشكل ٢-١)

تنبيه: سوف يبدأ فرن المايكرويف التشغيل فورًا بعد ضبط الوقت

٢. إذا كان وقت الطهي المطلوب أقل من ٥ دقائق ، أدر مقبض الموقت أولاً خارج الخمس دقائق ، ثم أعد مقبض الموقت لضبط الوقت المناسب ٢.

٣. إذا تمت إزالة الطعام من فرن المايكرويف قبل انقضاء وقت البرنامج المحدد ، فعليك دائماً إدارة المقبض إلى الوضع الصفري

٤. لإيقاف فرن المايكرويف ، أدر مقبض الموقت إلى وضع الصفر. إذا تم فتح باب فرن المايكرويف أثناء عملية الطهي ، فسيتم إيقاف فرن المايكرويف عن العمل

تلقائياً. إعادة إغلاق الباب ستؤدي تلقائياً إلى إعادة تشغيل فرن المايكرويف وفقاً للإعدادات السابقة. إذا لم تكن هناك حاجة للوقت المتبقي على الموقت ، فقم بإعادة

مقبض الموقت إلى وضع الصفر

تنبيه: قد يؤدي تشغيل فرن المايكرويف بدون أي طعام بالداخل إلى إتلاف الجهاز

التنظيف والصيانة

١. يجب تنظيف فرن المايكرويف بانتظام وإزالة بقايا الطعام بانتظام. قد يؤدي ترك فرن المايكرويف غير نظيف إلى تلف السطح ، والذي بدوره قد يؤثر سلباً

على عمر الجهاز ويؤدي إلى مواقف خطيرة

٢. قبل التنظيف ، قم بإيقاف تشغيل فرن المايكرويف وإزالة القابس من المقبس

٣. يجب الحفاظ على نظافة فرن المايكرويف من الداخل. في حالة اسناخ الجدران الداخلية لفرن المايكرويف ، قم بإزالة جزيئات الطعام أو السوائل المنسكبة

بقطعة قماش مبللة

٤. بالنسبة للأوساخ الثقيلة ، استخدم منظفاً خفيفاً. لا تستخدم مواد التنظيف التي تحتوي على مواد كاشطة

٥. لا تستخدم مواد التنظيف في شكل رذاذ أو غيرها من عوامل التنظيف القوية ، لأنها قد تلطخ أو تتسبب في تلطيخ سطح فرن المايكرويف والباب

٦. يجب تنظيف السطح الخارجي لفرن المايكرويف بقطعة قماش مبللة. لتجنب تلف المكونات داخل فرن المايكرويف ، تأكد من عدم تسرب الماء من خلال

فتحات التهوية بالداخل

٧. يجب مسح جانبي الباب والنافذة وختم الباب والأجزاء المجاورة بانتظام بقطعة قماش مبللة لإزالة أي بقايا طعام أو سوائل مسكوبة

٨. لا تسمح للبلل بلل لوحة التحكم. نظفها بقطعة قماش ناعمة ورطبة. لا تستخدم المنظفات أو المواد الكاشطة أو بخاخات التنظيف لتنظيف لوحة التحكم

٩. إذا تجمع بخار الماء داخل فرن المايكرويف أو حول الباب ، امسحها بقطعة قماش ناعمة. يمكن أن يحدث هذا عندما يتم تشغيل فرن المايكرويف في ظروف

الرطوبة العالية ، وعندما لا توجد علامات على وجود عطل في الجهاز

١٠. قم بتنظيف القرص الزجاجي بشكل دوري بالماء المغلي الدافئ أو في غسالة الأطباق

١١. لتجنب البوضاء المفرطة أثناء تشغيل فرن المايكرويف ، قم بتنظيف دعامة القرص الدوار والقاعدة الداخلية لفرن المايكرويف بانتظام. لهذا يمكنك استخدام

منظف معتدل أو ماء أو منظف زجاج. يمكن غسل دعامة القرص الدوار في ماء فاتر أو في غسالة الأطباق. بعد تنظيف دعامة القرص الدوار ، تأكد من تركيبها

بشكل صحيح حيث كانت قبل إزالتها للتنظيف

١٢. قد يتجمع البخار من الطعام أو السائل المطبوخ أثناء الطهي. ومع ذلك ، فإن هذا لا يؤثر على السطح الداخلي لفرن المايكرويف وحلقة دعم القرص الدوار

١٣. لإزالة أي روائح متبقية بعد الطهي ، ضع خليطاً من الماء وعصير الليمون أو الماء وقشر الليمون في طبق آمن للمايكرويف داخل فرن المايكرويف. سخني

هذا الخليط لمدة ٥ دقائق ، ثم امسحي الجزء الداخلي من فرن المايكرويف بقطعة قماش ناعمة

تحذير: لا يمكن تنظيف الجهاز باستخدام مكسدة كهربائية بالبخار ١٤.

معلومات تقنية

مصدر الطاقة: ٢٣٠-٢٤٠ فولت ~ ٥٠ هرتز الطاقة القصوى: ١٢٠٠ واط طاقة المايكرويف: ٧٠٠ واط

التردد: ٢٤٥٠ ميجا هرتز

سعة فرن المايكرويف: ٢٠ لتر

يرجى نقل عبوات الورق المقوى إلى نفايات الورق. اسكب أكياس البولي إيثيلين في الحاوية البلاستيكية

يجب إعادة الجهاز البالي إلى نقطة تخزين مناسبة لأنه خطير في الجهاز

قد تشكل المكونات تهديداً للبيئة. يجب تسليم الجهاز الكهربائي للحد

فعليك إخراجها وإعطائها إلى النقطة المخزنة بشكل منفصل ، إعادة استخدامها واستخدامها. إذا كان هناك بطاريات في الجهاز



KARTA GWARANCYJNA

WARUNKI GWARANCJI obowiązują na terenie Rzeczypospolitej Polskiej Adler Sp. z o.o. ul. Ordona 2a 01-237 Warszawa zapewnia Użytkownika o dobrej jakości sprzętu, na który wydana jest niniejsza karta gwarancyjna i udziela 24 miesięcznej gwarancji, która liczy się od daty zakupu sprzętu. Usługi gwarancyjne świadczone są po okazaniu prawidłowo wypełnionej karty gwarancyjnej. Wady lub uszkodzenia sprzętu ujawnione w okresie gwarancji usuwane będą bezpłatnie przez Serwis Centralny. W przypadku zakupu sprzętu przez przedsiębiorcę (faktura VAT) okres gwarancji wynosi 12 miesięcy. Powyższy zapis nie dotyczy jednoosobowych działalności gospodarczych, o ile rodzaj zakupionego sprzętu, nie jest związany z profilem prowadzonej działalności gospodarczej – weryfikacja w CEIDG.

W przypadku wymiany rzeczy na nową, albo po dokonaniu istotnej naprawy, okres gwarancji biegnie na nowo od chwili dostarczenia klientowi rzeczy wolnej od wad, lub zwrócenia rzeczy naprawionej. Jeżeli gwarant wymienił część rzeczy, przepis powyższy stosuje się odpowiednio do części wymienionej. Gwarant zobowiązuje się pokryć koszty dostarczenia rzeczy do serwisu na adres wskazany w karcie gwarancyjnej. Jednakże uprawniony z gwarancji powinien zachować rozsądek, wybierając środek transportu. Uprawnionemu z gwarancji nie przysługują od gwaranta zwrot kosztów dostarczenia towaru – rzeczy do naprawy gwarancyjnej, przekraczający ekonomicznie uzasadnione koszty przewozu.

UWAGA: Sprzęt przeznaczony jest wyłącznie do użytku domowego. Naprawami gwarancyjnymi nie są objęte czynności związane z odkamienianiem, konserwacją, czyszczeniem urządzenia oraz części i akcesoria ulegające zużyciu przy normalnym użytkowaniu. Gwarancja nie obejmuje mechanicznych uszkodzeń sprzętu oraz wad i uszkodzeń wynikłych wskutek:

- niewłaściwego lub niezgodnego z instrukcją użytkowania, przechowywania i konserwacji;
- ingerencji nieautoryzowanego serwisu, samowolnych napraw, przeróbek i zmian konstrukcyjnych;
- użycia niewłaściwych materiałów eksploatacyjnych.
- uszkodzeń mechanicznych, termicznych, chemicznych i powstałych na skutek przepięcia w sieci.
- karta gwarancyjna jest nieważna bez daty zakupu, pieczęci sprzedającego i kopii dokumentu zakupu.
- gwarancją nie są objęte elementy eksploatacyjne i akcesoria w tym: elementy szklane (np. dzbanki, talerze), sznury przyłączeniowe, sieciowe, żarówki, baterie, nożyki i folie do urządzeń tnących, nasadki miksujące, trzepaki, mieszaki, ssawkoszczotki, rury, węże, kubki miksujące, głowice tnące i sita.

Reklamowany sprzęt jest dostarczany do Serwisu Centralnego przez Klienta w stanie kompletnym i odpowiednio zabezpieczony na czas transportu. Po dokonanej naprawie reklamowany sprzęt odbierany jest z Serwisu Centralnego przez Klienta.

Termin usunięcia wady może zostać wydłużony o czas potrzebny do importu niezbędnych części, nie dłuższy niż 30 dni roboczych. W każdym takim przypadku warsztat serwisowy powiadomi klienta o wydłużeniu terminu naprawy gwarancyjnej. W związku z koniecznością sprowadzenia części zamiennych i poinformuje o nowym terminie usunięcia wady.

W przypadku stwierdzenia usterki należy ją zgłosić w punkcie sprzedaży lub w Serwisie Centralnym, ul. Ordona 2A, 01-237 Warszawa, tel. 728-595-006 lub e-mail: serwis@adler.com.pl.

W zgłoszeniu proszę podać swój adres, nr telefonu i opis usterki. Do reklamacji konieczne jest dołączenie kopii dokumentu zakupu.

Gwarancja nie wyłącza ani nie ogranicza oraz nie zawieszają uprawnień kupującego wynikających z przepisów o rękojmi za wady rzeczy sprzedanej.



adnotacje serwisu:

SERWIS CENTRALNY
01-237 Warszawa ul.Ordona 2A
tel. 728 - 595 - 006
serwis@adler.com.pl www.adler.com.pl

.....
(data sprzedaży)
.....
(pieczęć sklepu i podpis sprzedawcy)

W trosce o środowisko..

Opakowania kartonowe oraz worki polietylenowe (PE) należy wrzucać do odpowiednich pojemników przeznaczonych do selektywnej zbiórki odpadów komunalnych zgodnie z ich opisem. Jeżeli w urządzeniu znajdują się baterie, należy je wyjąć i osobno oddać do punktu zbierania i składowania. Zużyte urządzenia należy oddać do odpowiedniego punktu zbierania i składowania, gdyż znajdujące się w nim niebezpieczne substancje mogą stanowić zagrożenie dla zdrowia i środowiska. Oznaczenie umieszczone na produkcie wskazuje, że urządzenia nie należy wyrzucać do pojemnika z odpadami komunalnymi.

Zużyty sprzęt elektryczny, to odpady, które zawierają substancje szkodliwe dla ludzi, zwierząt i środowiska. Substancje te mogą doprowadzić do zanieczyszczenia gleby, wody lub powietrza, a poprzez to mogą się dostać do organizmu człowieka i doprowadzić do licznych dolegliwości zdrowotnych, takich jak: zaburzenia wzroku, słuchu, mowy, mogą również doprowadzić do uszkodzenia nerek, wątroby i serca, oraz wywołać choroby skóry. Substancje szkodliwe mogą mieć również niekorzystny wpływ na układ oddechowy i rozrodczy oraz doprowadzić do zamian nowotworowych. Spożycie roślin rosnących na skażonych glebach, oraz produktów powstałych z nich może grozić w/w skutkami zdrowotnymi.

Urządzenia nie wyrzucać do pojemnika na odpady komunalne !!!!

OGÓLNE WARUNKI BEZPIECZEŃSTWA

WAŻNE INSTRUKCJE DOTYCZĄCE BEZPIECZEŃSTWA UŻYTKOWANIA PRZECZYTAJ UWAGNIE I ZACHOWAJ NA PRZYSZŁOŚĆ

1. Przed rozpoczęciem użytkowania urządzenia przeczytać instrukcję obsługi i postępować według wskazówek w niej zawartych. **Producent nie odpowiada za szkody spowodowane użytkowaniem urządzenia niezgodnie z jego przeznaczeniem lub niewłaściwą jego obsługą.**
2. Urządzenie służy wyłącznie do użytku domowego. Nie używać do innych celów, niezgodnych z jego przeznaczeniem.
3. Urządzenie należy podłączyć wyłącznie do gniazdka z uziemieniem 230-240V ~50Hz. W celu zwiększenia bezpieczeństwa użytkownika do jednego obwodu prądu nie należy równocześnie włączać wielu urządzeń elektrycznych.
4. Należy zachować szczególną ostrożność podczas korzystania z urządzenia, gdy w pobliżu przebywają dzieci. Nie należy dopuszczać dzieci do zabawy urządzeniem nie pozwól dzieciom ani osobom nie zaznajomionym z urządzeniem na jego użytkowanie
5. **OSTRZEŻENIE: Niniejszy sprzęt może być użytkowany przez dzieci powyżej 8 roku życia oraz osoby o ograniczonej zdolności fizycznej, czuciowej lub psychicznej, lub osoby nie mające doświadczenia lub znajomości sprzętu, jeśli odbywa się to pod nadzorem osoby odpowiadającej za ich bezpieczeństwo lub została im udzielona wskazówki na temat bezpiecznego użytkowania urządzenia i mają świadomość niebezpieczeństwa związanego z jego użytkowaniem. Dzieci nie powinny bawić się sprzętem. Czyszczenie i konserwacja urządzenia nie powinna być wykonywana przez dzieci, chyba że są powyżej 8 roku życia a czynności te są wykonywane pod nadzorem.**
6. Zawsze po zakończeniu używania, wyjmij wtyczkę z gniazda zasilającego poprzez przytrzymanie gniazdka ręką. **NIE** ciągnąć za sznur sieciowy.
7. Nie pozostawiaj urządzenia włączonego do gniazdka bez nadzoru.
8. Nie zanurzać kabla, wtyczki oraz całego urządzenia w wodzie lub innej cieczy. Nie wystawiaj urządzenia na działanie warunków atmosferycznych (deszczu, słońca, etc.) ani nie używaj w warunkach podwyższonej wilgotności (łazienki, wilgotne domki kempingowe).
9. Okresowo sprawdzaj stan przewodu zasilającego. **Jeżeli przewód zasilający jest uszkodzony, to powinien on być wymieniony przez specjalistyczny zakład naprawczy w celu uniknięcia zagrożenia.**
10. Nie używaj urządzenia z uszkodzonym przewodem zasilającym lub jeśli zostało upuszczone lub uszkodzone w jakikolwiek inny sposób lub nieprawidłowo pracuje. Nie naprawiaj urządzenia samodzielnie, gdyż grozi to porażeniem. Uszkodzone urządzenie oddaj do właściwego punktu serwisowego w celu sprawdzenia lub dokonania naprawy. **Wszelkich napraw mogą dokonywać wyłącznie uprawnione punkty serwisowe. Nieprawidłowo wykonana naprawa może spowodować poważne zagrożenie dla użytkownika.**
11. Należy stawiać urządzenie na chłodnej stabilnej, równej powierzchni, z dala od nagrzewających się urządzeń kuchennych jak: kuchenka elektryczna, palnik gazowy, itp..
12. Nie korzystaj z urządzenia w pobliżu materiałów łatwopalnych.
13. Przewód zasilania nie może zwisać poza krawędź stołu lub dotykać gorących powierzchni.
14. Przed czyszczeniem lub po zakończeniu użytkowania należy wyjąć wtyczkę z gniazdka sieciowego poprzez przytrzymanie gniazdka ręką. **NIE** ciągnąć za sznur

sieciowy.

15. Nie korzystaj z kuchenki bez talerza obrotowego i pierścienia obrotowego umieszczonych we właściwej pozycji.
16. Nie używaj kuchenki mikrofalowej do innych celów niż gotowanie żywności. Nie używaj kuchenki do suszenia ubrań, papieru ani innych artykułów nieżywnościowych. Nie używaj kuchenki do celów sterylizacyjnych.
17. Nigdy nie korzystaj z pustej kuchenki, gdyż może to spowodować uszkodzenie urządzenia.
18. Nie używaj wnętrza kuchenki do przechowywania żadnych produktów, takich jak papier, książki, itp..
19. Produkty żywnościowe pokryte grubą skórą, takie jak ziemniaki, jabłka lub kasztany przed gotowaniem nakłuj kilka razy.
20. Nie wkładaj żadnych przedmiotów do otworów w obudowie.
21. Nigdy nie usuwaj żadnych części z kuchenki mikrofalowej. UWAGA: Nie zdejmuj pokrywy. Źródło promieniowania mikrofalowego i wysokiego napięcia.
22. Nigdy nie gotuj bezpośrednio na talerzu obrotowym. Zawsze umieść żywność w przeznaczonym do gotowania w kuchenke mikrofalowej naczyniu.
23. Używaj tylko tych naczyń, które są odpowiednie do używania w kuchenkach mikrofalowych.
24. Należy zachować odpowiednią wysokość wolnej przestrzeni niezbędnej nad górną powierzchnią kuchenki (minimum 30 cm).
25. Nie smaż żywności w kuchenke mikrofalowej. Gorący olej może zniszczyć części kuchenki, i naczynia oraz może spowodować uszkodzenia skóry.
26. **OSTRZEŻENIE: Podgrzana ciecz w pojemniku jest bardzo gorąca, nawet gdy pojemnik po zakończeniu gotowania i wyjęciu z kuchenki mikrofalowej nie jest gorący w dotyku.**
27. Mikrofalowe ogrzewanie napojów może spowodować opóźnione wrzenie wybuchowe, dlatego też należy uważać przy manipulowaniu pojemnikiem.
28. Zawartość butelek do karmienia dzieci i słoików z żywnością dla dzieci należy rozmieszać lub wstrząsnąć oraz sprawdzić temperaturę przed podaniem do zjedzenia, aby uniknąć oparzeń.
29. W przypadku zauważenia dymu wyłącz kuchenkę, wyciągnij wtyczkę z gniazda i pozostaw drzwiczki zamknięte w celu stłumienia płomieni.
30. Naczynia kuchenne mogą nagrząć się w wyniku przepływu ciepła z podgrzanej żywności. Do przenoszenia naczyń stosuj odpowiednie uchwyty.
31. Aby zredukować prawdopodobieństwo pożaru wewnątrz kuchenki mikrofalowej zastosuj się do następujących reguł:
 - a. nie gotuj za długo żywności w pojemnikach z papieru, plastiku albo innych materiałów łatwopalnych
 - b. usuń wszystkie metalowe elementy z opakowań przed umieszczeniem ich w kuchenke mikrofalowej
 - c. podczas ogrzewania żywności w pojemnikach z tworzywa sztucznego lub z papieru, często sprawdzaj kuchenkę ze względu na możliwość zapalenia się pojemnika
32. **OSTRZEŻENIE:** Jeżeli drzwiczki lub ich uszczelnienie są uszkodzone, kuchenka nie może pracować do momentu ich naprawienia przez wykwalifikowaną osobę.
33. **OSTRZEŻENIE:** Wykonanie jakichkolwiek czynności serwisowych i naprawczych związanych ze zdejmowaniem pokrywy dającej ochronę przez energią mikrofalową jest niebezpieczne i powinno być wykonane przez osoby wykwalifikowane.
34. **OSTRZEŻENIE:** Cieczy i innych artykułów żywnościowych nie wolno ogrzewać w szczelnych pojemnikach, gdyż mogą eksplodować.

35. Kuchenka przeznaczona jest do użytkowania jako wolnostojąca. Nie należy umieszczać kuchenki w szafce.
36. Zaleca się regularne czyszczenie kuchenki i usuwanie osadzającej się żywności.
37. Zaniedbanie w utrzymaniu kuchenki w czystości może prowadzić do pogarszania się stanu powierzchni, co może niekorzystnie wpływać na trwałość kuchenki i w efekcie prowadzić do niebezpiecznych sytuacji.
Wnętrze kuchenki należy utrzymywać w czystości. W razie zabrudzenia wewnętrznych ścianek kuchenki usuń kawałki pożywienia lub rozlaną ciecz wilgotną ściereczką.
38. W przypadku silnego zabrudzenia użyj łagodnego detergentu. Nie stosuj środków czyszczących zawierających substancje ściernie.
39. Nie używaj środków czyszczących w sprayu i innych silnych środków czyszczących, ponieważ mogą one poplamić, pokryć smugami lub zmatowić powierzchnię kuchenki i drzwiczek.
40. Zewnętrzną powierzchnię kuchenki czyść za pomocą wilgotnej ściereczki. Aby uniknąć uszkodzenia podzespołów znajdujących się wewnątrz kuchenki mikrofalowej uważaj, aby woda nie skapywała przez otwory wentylacyjne do jej wnętrza.
41. Obie strony drzwiczek, okienka, uszczelki drzwiczek i sąsiadujące części często przecieraj wilgotną szmatką, aby usunąć wszelkie pozostałości pożywienia lub rozlanej cieczy.
42. Nie pozwól, aby panel kontrolny uległ zamoczeniu. Czyść go miękką, wilgotną ściereczką. Do czyszczenia panelu kontrolnego nie używaj detergentów, środków ściernych ani sprayów czyszczących.
43. Jeżeli para wodna zbiera się wewnątrz kuchenki lub dookoła drzwiczek wytrzyj ją miękką ściereczką. Sytuacja taka może wystąpić, gdy kuchenka pracuje w warunkach zwiększonej wilgotności i nie ma żadnych oznak usterki urządzenia.
44. Okresowo czyść szklany talerz obrotowy w ciepłej, przegotowanej wodzie albo w zmywarce.
45. Nie podgrzewaj w kuchence jajek w skorupkach lub ugotowanych na twardo całych jajek. Mogą one wybuchnąć nawet po zakończeniu podgrzewania w kuchence krolawej.



46. Nie wolno dotykać gorących powierzchni kuchenki (drzwiczek, ścianki górnej lub dolnej oraz ścianek bocznych). Należy używać rękawic ochronnych do wyjmowania lub dotykania wszelkich gorących elementów.

47. Do zapewnienia dodatkowej ochrony, wskazane jest zainstalowanie w obwodzie elektrycznym, urządzenia różnicowoprądowego (RCD) o znamionowym prądzie różnicowym nie przekraczającym 30 mA. W tym zakresie należy zwrócić się do specjalisty elektryka.
48. **OSTRZEŻENIE:** Tylko wtedy pozwalaj dzieciom używać kuchenki bez nadzoru, gdy przekazano im odpowiednie wskazówki, tak żeby mogły używać kuchenki w sposób bezpieczny i zdawały sobie sprawę z zagrożeń wynikających z niewłaściwego użytkowania.
49. Metalowe pojemniki na żywność i napoje, nie są dozwolone do korzystania w kuchence mikrofalowej.

OPIS URZĄDZENIA (rys. 1)

1. Blokada drzwiczek
2. Okno kuchenki
3. Zespół pierścienia obrotowego
4. Otwieranie drzwiczek
5. Panel sterowania
6. Szklany talerz obrotowy

PANEL STEROWANIA (rys. 2)

- 2.1. Czasomierz 0-30 minut
- 2.2. Pokrętko do ustawiania poziomu mocy
 - I: niski poziom mocy - 20%
 - II: średnio niski poziom mocy - 52%

III:	średni poziom mocy - 73%
IIII:	średnio wysoki poziom mocy - 88%
IIIIII:	wysoki poziom mocy - 100%
☼	rozmarzanie - 42%

PRZED PIERWSZYM UŻYCIEM

1. Upewnij się, czy wszystkie opakowania zostały usunięte z wnętrza kuchni.
2. **Sprawdź, czy nie ma żadnych śladów uszkodzenia, takich jak skrzywione lub spalone drzwi, uszkodzone uszczelki drzwiczek, uszkodzona powierzchnia styku, pęknięte lub poluzowane zwiaski i zatraski drzwiczek, wgniecenie wewnątrz kuchni lub w drzwiczkach.** W przypadku jakichkolwiek uszkodzeń nie korzystaj z urządzenia i skontaktuj się z serwisem.
3. Nie narażaj kuchni mikrofalowej na działanie wysokiej temperatury lub wilgotności oraz nie stawiaj w pobliżu materiałów łatwopalnych.
4. Kuchenkę mikrofalową postaw na równej, stabilnej powierzchni, która wytrzyma jej wagę.
5. Nie należy nic stawiać na kuchence mikrofalowej ani zatykać lub zakrywać otworów wentylacyjnych.
6. Nie wyjmuj wałka napędowego talerza obrotowego.
7. Ze względu na dzieci nigdy nie zostawiaj urządzenia bez nadzoru podczas jego użytkowania.

UŻYTKOWANIE URZĄDZENIA

1. Po umieszczeniu żywności w odpowiednim naczyniu na szklanym talerzu obrotowym wewnątrz kuchni. Zamknij drzwiczki kuchni, ustaw właściwy poziom mocy (Rys.2. 2) i odpowiedni czas na czasomierzu (Rys.2. 1).

UWAGA: BEZPOŚREDNIO PO USTAWIENIU CZASU, KUCHENKA ROZPĘCZYNA PRACĘ.

2. Jeżeli wymagany czas gotowania jest krótszy niż 5 minut, najpierw przekręć pokrętko czasomierza poza kreskę oznaczającą 5 minut, a następnie cofnij pokrętko czasomierza do ustawienia właściwego czasu.
3. **Jeżeli potrawa została wyjęta z kuchni zanim miną ustawiony czas programu, BEZWZGLĘDNIE COFNIJ POKRĘTKO DO POZYCJI ZEROWEJ.**
4. Aby zatrzymać pracę kuchni przekręć pokrętko czasomierza na pozycję zerową. Jeżeli drzwiczki kuchni zostaną otwarte w czasie gotowania, kuchenka automatycznie przestanie pracować. Ponowne ich zamknięcie automatycznie uruchomi pracę kuchni wg wcześniej wybranych ustawień.

Jeżeli pozostały czas gotowania nie jest wymagany przekręć pokrętko czasomierza z powrotem do pozycji zerowej.

UWAGA: WŁĄCZANIE KUCHENKI BEZ POTRAWY WE WNETRZU JEJ KOMORY GROZI USZKODZENIEM URZĄDZENIA.

CZYSZCZENIE I KONSERWACJA

1. Kuchenkę należy czyścić regularnie i usuwać wszystkie osady żywności. Pozostawianie kuchni nie wyczyszczonej może spowodować uszkodzenie powierzchni, co z kolei może niekorzystnie wpłynąć na żywotność urządzenia i prowadzić do niebezpiecznych sytuacji.
2. Przed rozpoczęciem czyszczenia wyłącz kuchenkę mikrofalową i wyjmij wtyczkę przewodu przyłączeniowego z gniazda sieciowego.
3. Wnętrze kuchni należy utrzymywać w czystości. W razie zabrudzenia wewnętrznych ścianek kuchni usuń kawałki pożywienia lub rozlaną ciecz wilgotną ściereczką.
4. W przypadku silnego zabrudzenia użyj łagodnego detergentu. Nie stosuj środków czyszczących zawierających substancje ścieme.
5. Nie używaj środków czyszczących w sprayu i innych silnych środków czyszczących, ponieważ mogą one popalić, pokryć smugami lub zmatowić powierzchnię kuchni i drzwiczek.
6. Zewnętrzna powierzchnię kuchni czyść za pomocą wilgotnej ściereczki. Aby uniknąć uszkodzenia podzespołów znajdujących się wewnątrz kuchni mikrofalowej uważaj, aby woda nie skapywała przez otwory wentylacyjne do jej wnętrza.
7. Obie strony drzwiczek, okienka, uszczelki drzwiczek i sąsiadujące części często przecieraj wilgotną szmatką, aby usunąć wszelkie pozostałości pożywienia lub rozlanej cieczy.
8. Nie pozwól, aby panel kontrolny uległ zamoczeniu. Czyść go miękką, wilgotną ściereczką. Do czyszczenia panelu kontrolnego nie używaj detergentów, środków ściernych ani sprayów czyszczących.
9. Jeżeli para wodna zbiera się wewnątrz kuchni lub dookoła drzwiczek wytrzyj ją miękką ściereczką. Sytuacja taka może wystąpić, gdy kuchenka pracuje w warunkach zwiększonej wilgotności i nie ma żadnych oznak usterki urządzenia.
10. Okresowo czyść szklany talerz obrotowy w ciepłej, przegotowanej wodzie albo w zmywarce.
11. Aby uniknąć nadmiernego hałasu w trakcie pracy kuchni regularnie czyść pierścień obrotowy oraz spód wnętrza kuchni. Można użyć w tym celu łagodnego detergentu, wody lub środka do czyszczenia okien. Pierścień obrotowy można umyć w letniej wodzie lub w zmywarce. Po zakończeniu czyszczenia pierścienia obrotowego należy się upewnić, że został on odpowiednio ułożony na miejscu, gdzie znajdował się przed zdemontowaniem w celu czyszczenia.
12. W trakcie gotowania może zbierać się para pochodząca od gotowanej żywności lub cieczy. Nie ma to jednak wpływu na powierzchnię wnętrza kuchni mikrofalowej i kółka pierścienia obrotowego.
13. W celu usunięcia pozostałych po gotowaniu zapachów, umieść wewnątrz kuchni mieszaninę wody i soku cytrynowego lub wody i skórek z cytryny w naczyniu nadającym się do użytkowania w kuchence mikrofalowej. Następnie mieszaninę tą podgrzewaj przez 5 minut, po czym wytrzyj wnętrze kuchni miękką ściereczką.
14. **OSTRZEŻENIE:** Urządzenie nie może być czyszczone za pomocą odkurzacza parowego.

DANE TECHNICZNE:

Napięcie zasilania: 230-240V~ 50Hz
Moc max: 1100 W
Moc mikrofalówki: 700 W
Częstotliwość: 2450 MHz
Pojemność kuchni: 20 litrów

ОБЩИ УСЛОВИЯ ЗА БЕЗОПАСНОСТ**ВАЖНИ ИНСТРУКЦИИ ОТНОСНО БЕЗОПАСНОСТТА ПРИ УПОТРЕБА, МОЛЯ, ПРОЧЕТЕТЕ ВНИМАТЕЛНО И ЗАПАЗЕТЕ ЗА БЪДЕЩА СПРАВКА**

1. Преди първата употреба на устройството, моля, прочетете ръководството с инструкции и следвайте инструкциите, съдържащи се в него. Производителят не носи отговорност за щети, причинени от използване на устройството за цели, различни от предвидените, или от неправилна употреба на устройството.
2. Устройството е само за домашна употреба. Не използвайте за цели, различни от предвидените.
3. Устройството трябва да бъде свързано само към заземяващ контакт 230-240V ~50Hz.
- За да увеличите безопасността, не свързвайте едновременно няколко електрически устройства в една захранваща верига.
4. Обърнете особено внимание, когато използвате устройството, ако наблизо има деца. Не позволявайте на деца да играят с устройството. Не позволявайте на деца или лица, които не са запознати с устройството, да го работят.
5. **ПРЕДУПРЕЖДЕНИЕ:** Това устройство може да се използва от деца над 8 години и лица с намалени физически, сетивни или умствени способности, или лица без опит или познания за устройството, само под наблюдението на лице, отговорно за тяхната безопасност, или ако са били инструктирани за безопасната употреба на уреда и са наясно с опасностите, свързани с неговата работа. Децата не трябва да играят с устройството. Почистването и поддръжката на уреда не трябва да се извършват от деца, освен ако не са на възраст над 8 години и тези дейности се извършват под наблюдение.
6. След употреба винаги изваждайте щепсела от контакта, като държите контакта с ръка. НЕ дърпайте за захранващия кабел.
7. Не оставяйте устройството свързано към контакта без надзор.
8. Не потапяйте кабела, щепсела и цялото устройство във вода или други течности. Не излагайте устройството на атмосферни условия (например дъжд, слънце и др.) и не го използвайте при висока влажност (в банята, влажни летни къщи).
9. Проверявайте редовно състоянието на захранващия кабел. Ако захранващият кабел е повреден, той трябва да бъде сменен в специализиран магазин за ремонт, за да се избегне опасност.
10. Не използвайте устройството с повреден захранващ кабел или ако е бил изпуснат или повреден по някакъв начин или не работи правилно. Не ремонтирайте уреда сами, тъй като съществува риск от токов удар. Оставете повреденото устройство в съответния сервиз за проверка или ремонт. Само оторизирани сервизни центрове могат да поправят повреди. Неправилният ремонт може да доведе до сериозен риск за потребителя.
11. Устройството трябва да бъде поставено на хладна, стабилна, равна

повърхност, далеч от нагриващи кухненски уреди като електрически готварски печки, газови горелки и др.

12. Не използвайте устройството в близост до запалими материали.

13. Захранващият кабел не може да виси над ръба на масата или да докосва горещи повърхности.

14. Преди почистване или след употреба извадете щепсела от контакта, като държите контакта с ръка. НЕ дърпайте за захранващия кабел.

15. Не използвайте микровълновата фурна без въртящата се маса и опората на въртящата се плоча, поставени в правилната позиция.

16. Използвайте микровълновата фурна само за приготвяне на храна. Не използвайте микровълновата фурна за сушене на дрехи, хартия или други нехранителни артикули. Не използвайте микровълновата фурна за стерилизация.

17. Никога не използвайте микровълновата фурна празна, тъй като това може да повреди устройството.

18. Не използвайте вътрешността на микровълновата фурна за съхранение на продукти, като хартия, книги и др.

19. Хранителните продукти с дебела кожа, като картофи, ябълки или кестени, трябва да се пробият няколко пъти преди готвене.

20. Не поставяйте никакви предмети в отворите на корпуса.

21. Никога не отстранявайте части от микровълновата фурна. **ВНИМАНИЕ:** Не сваляйте капака.

Източник на микровълнова радиация и високо напрежение.

22. Никога не гответе директно върху грамофона. Винаги поставяйте храната в съд, подходящ за микровълнова фурна.

23. Използвайте само съдове, подходящи за микровълнова фурна.

24. Запазете минимум 30 см свободно пространство над горната повърхност на микровълновата фурна.

25. Не пържете храна в микровълновата фурна. Горещото масло може да повреди части от микровълновата фурна и съда и може да увреди кожата ви.

26. **ПРЕДУПРЕЖДЕНИЕ:** Загрятата течност в съд е много гореща, дори ако съдът не е горещ на допир след приключване на готвенето и изваждане от микровълновата фурна.

27. Затоплянето на напитки в микровълнова фурна може да причини забавено експлозивно кипене – бъдете внимателни, когато боравите с контейнера.

28. За да избегнете изгаряния, разбъркайте или разклатете съдържанието на детските бутилки за хранене и бурканчета с бебешка храна, след което проверете температурата преди сервиране.

29. Ако видите дим, изключете микровълновата фурна, извадете щепсела от контакта и оставете вратата затворена, за да задушите пламъците.

30. Съдовете могат да се загреят в резултат на пренасянето на топлината от загрятата храна към съда. Използвайте подходяща защита, когато пренасяте

съдовете.

31. За да намалите вероятността от пожар в микровълновата фурна, следвайте следните правила:

а. не пригответе храна в съдове, направени от хартия, пластмаса или други запалими материали за продължителен период от време

б. отстранете всички метални елементи от опаковката, преди да ги поставите в микровълновата фурна

в. когато загревате храна в пластмасови или хартиени съдове, проверявайте често микровълновата фурна, поради възможността съдът да се запали

32. ПРЕДУПРЕЖДЕНИЕ: Ако вратата или нейното уплътнение са повредени, микровълновата фурна не може да се използва, докато не бъде ремонтирана от квалифицирано лице.

33. ПРЕДУПРЕЖДЕНИЕ: Всякакви дейности, свързани с обслужване или ремонт, включващи премахване на капака, екраниращ срещу микровълнова енергия, са опасни и трябва да се извършват от квалифицирани лица.

34. ПРЕДУПРЕЖДЕНИЕ: Течности и други храни не трябва да се нагряват в запечатани контейнери, тъй като могат да експлодират.

35. Микровълновата фурна е предназначена за самостоятелно използване. Не поставяйте микровълновата фурна в шкаф.

36. Препоръчва се редовно почистване на микровълновата фурна и отстраняване на остатъците от храна.

37. Ако не поддържате микровълновата фурна чиста, това може да доведе до влошаване на повърхността, което може да повлияе неблагоприятно на издръжливостта на микровълновата фурна и по този начин да доведе до опасни ситуации.

Вътрешността на микровълновата фурна трябва да се поддържа чиста. В случай на замърсяване на вътрешните стени на микровълновата фурна отстранете частиците храна или разлятата течност с влажна кърпа.

38. За силни замърсявания използвайте мек почистващ препарат. Не използвайте почистващи препарати, съдържащи абразиви.

39. Не използвайте почистващи препарати под формата на спрей или други силни почистващи препарати, тъй като те могат да оцветят, набраздят или затъпят повърхността на микровълновата фурна и вратата.

40. Външната повърхност на микровълновата фурна трябва да се почиства с влажна кърпа. За да избегнете повреда на компонентите вътре в микровълновата фурна, уверете се, че вода не капе през вентилационните отвори вътре.

41. Двете страни на вратата, прозореца, уплътнението на вратата и съседните части трябва редовно да се избърсват с влажна кърпа, за да се отстранят всякакви остатъци от храна или разляти течности.

42. Не позволявайте на контролния панел да се намокри. Почистете го с мека, влажна кърпа. Не използвайте почистващи препарати,

абразиви или почистващи спрейове за почистване на контролния панел.

43. Ако в микровълновата фурна или около вратата се събере водна пара, избършете я с мека кърпа. Това може да се случи, когато микровълновата фурна работи в условия на висока влажност и когато няма признаци на неизправност в устройството.

44. Периодично почиствайте стъклената въртяща се маса в топла, преварена вода или в съдомиялна машина.

45. Не загрявайте яйца с черупки или цели твърдо сварени яйца в микровълновата фурна. Те могат да експлодират дори след приключване на нагриването в микровълновата фурна.



46. Не докосвайте горещите повърхности на микровълновата фурна (вратата, горната или долната стена и страничните стени). Използвайте защитни ръкавици, когато премахвате или докосвате горещи елементи.

47. За осигуряване на допълнителна защита е препоръчително в хранящата верига да се монтира защитно устройство (УЗО) с номинален ток на остатъчен ток не повече от 30 mA. Свържете се с професионален електротехник по този въпрос.

48. **ПРЕДУПРЕЖДЕНИЕ:** Само тогава позволявайте на децата да използват фурната без надзор, когато са им дадени подходящи инструкции, за да могат да използват фурната безопасно и да са наясно с опасностите, произтичащи от неправилна употреба.

49. Метални съдове за храни и напитки не се допускат да се използват в микровълнова фурна.

ОПИСАНИЕ НА УСТРОЙСТВОТО (Фиг. 1)

1. Брава на вратата
2. Прозорец на микровълновата фурна
3. Комплект за поддръжка на грамофона
4. Отваряне на вратата
5. Контролен панел
6. Стъклен грамофон

КОНТРОЛЕН ПАНЕЛ (фиг. 2)

- 2.1. Таймер 0-30 минути
- 2.2. Копче за настройка на нивото на мощност

- I: ниска мощност – 20%
II: ниска-средна мощност – 52%
III: средна мощност – 73%
IIII средно-висока мощност – 88%
IIIII висока мощност – 100%
※ размразяване – 42%

ПРЕДИ ПЪРВА УПОТРЕБА

1. Уверете се, че всички опаковки са отстранени от вътрешността на микровълновата фурна.
2. Проверете дали няма признаци на повреда, като например огънатата или изкривена врата, повредени уплътнения на вратите, повредена контактна повърхност, напукани или разхлабени панти и ключалки на вратите, вдлъбнатини в микровълновата фурна или вратата. В случай на повреда не използвайте уреда и се свържете със сервиза.
3. Не излагайте микровълновата фурна на високи температури или влажност и не поставяйте наблизко запалими материали.
4. Поставете микровълновата фурна върху равна, стабилна повърхност, която ще издържи тежестта ѝ.
5. Не поставяйте нищо върху микровълновата фурна, не блокирайте или покривайте вентилационните отвори.

6. Не сваляйте вала на въртящата се маса.
7. За целите на безопасността на децата никога не оставяйте устройството без надзор по време на работа.

ИЗПОЛЗВАНЕ НА УСТРОЙСТВОТО

1. След като поставите храната в подходящ съд на стъклената въртяща се плоча вътре в микровълновата фурна. Затворете вратата на микровълновата фурна, задайте желаното ниво на мощност (фиг. 2 .2) и времето за готвене на таймера (фиг. 2 .1).

ВНИМАНИЕ: МИКРОВЪЛНОВАТА ФУРНА ЩЕ ЗАПОЧНЕ РАБОТА ВЕДНАГА СЛЕД НАСТРОЙКА НА ВРЕМЕТО.

2. Ако желаното време за готвене е по-малко от 5 минути, първо завъртете копчето на таймера извън 5-минутната линия, след това завъртете копчето на таймера обратно, за да зададете подходящото време.
 3. Ако храната е била извадена от микровълновата фурна преди да изтече зададеното време на програмата, **ВИНАГИ ЗАВЪРТЕТЕ КОТОЧКАТА В НУЛЕВА ПОЗИЦИЯ.**
 4. За да спрете микровълновата фурна, завъртете копчето на таймера в нулева позиция. Ако вратата на микровълновата фурна се отвори по време на процеса на готвене, микровълновата фурна автоматично ще спре да работи. Повторното затваряне на вратата автоматично ще рестартира микровълновата фурна според предишните настройки. Ако оставащото време на таймера не е необходимо, завъртете копчето на таймера обратно в нулева позиция.
- ВНИМАНИЕ: РАБОТАТА НА МИКРОВЪЛНОВАТА ФУРНА БЕЗ ХРАНА ВЪТРЕ МОЖЕ ДА ПОВРЕДИ УСТРОЙСТВОТО.**

ПОЧИСТВАНЕ И ПОДДРЪЖКА

1. Микровълновата фурна трябва да се почиства редовно и редовно да се отстраняват остатъците от храна. Оставянето на микровълновата фурна непочистена може да причини повреда на повърхността, което от своя страна може да повлияе негативно на живота на устройството и да доведе до опасни ситуации.
 2. Преди почистване изключете микровълновата фурна и извадете щепсела от контакта.
 3. Вътрешността на микровълновата фурна трябва да се поддържа чиста. В случай на замърсяване на вътрешните стени на микровълновата фурна отстранете частиците храна или разлятата течност с влажна кърпа.
 4. За силни замърсявания използвайте мек почистващ препарат. Не използвайте почистващи препарати, съдържащи абразиви.
 5. Не използвайте почистващи препарати под формата на спрей или други силни почистващи препарати, тъй като те могат да оцветят, набраздят или изтълят повърхността на микровълновата фурна и вратата.
 6. Външната повърхност на микровълновата фурна трябва да се почиства с влажна кърпа. За да избегнете повреда на компонентите вътре в микровълновата фурна, уверете се, че вода не капе през вентилационните отвори вътре.
 7. Двете страни на вратата, прозореца, уплътнението на вратата и съседните части трябва редовно да се избърсват с влажна кърпа, за да се отстранят всякакви остатъци от храна или разляти течности.
 8. Не позволявайте на контролния панел да се намокри. Почистете го с мека, влажна кърпа. Не използвайте почистващи препарати, абразиви или почистващи спрейове за почистване на контролния панел.
 9. Ако в микровълновата фурна работи или около вратата се събере водна пара, избършете я с мека кърпа. Това може да се случи, когато микровълновата фурна работи в условия на висока влажност и когато няма признаци на неизправност в устройството.
 10. Периодично почиствайте стъклената грамофона в топла преварена вода или в съдомиялна машина.
 11. За да избегнете прекомерен шум по време на работа на микровълновата фурна, почиствайте редовно опората на въртящата се маса и основата на вътрешността на микровълновата фурна. За това можете да използвате мек препарат, вода или почистващ препарат за прозорци. Поставката за въртяща се маса може да се мие в хладка вода или в съдомиялна машина. След почистване на опората на грамофона се уверете, че е поставена правилно на мястото, където е била, преди да бъде извадена за почистване.
 12. По време на готвене може да се съберат пари от сготвена храна или течност. Това обаче не засяга повърхността на вътрешността на микровълновата фурна и опорния пръстен на грамофона.
 13. За да премахнете всички остатъчни миризми след готвене, поставете смес от вода и лимонov сок или вода и лимонова кора в съд, подходящ за микровълнова фурна, вътре в микровълновата фурна. Загрейте тази смес за 5 минути, след което избършете вътрешността на микровълновата фурна с мека кърпа.
14. **ПРЕДУПРЕЖДЕНИЕ:** Устройството не може да се почиства с помощта на прахосмукачка с пара

ТЕХНИЧЕСКИ ДАННИ:Източник на захранване: 230-240V ~50Hz Максимална мощност: 1100W Микровълнова мощност:700WЧестота: 2450 MHzКапацитет на микровълновата фурна: 20 литра



За да защитите околната си среда: моля, отделете картонените кутии и найлоновите торбички и ги изхвърлете в съответните кошчета за отпадъци. Използваният уред трябва да бъде доставен до специалните пунктове за събиране, които могат да повлияят на околната среда. Не изхвърляйте този уред в обикновен кош за отпадъци.

ÜMUMİ TƏHLÜKƏSİZLİK ŞƏRTLƏRİ İSTİFADƏ TƏHLÜKƏSİZLİYİ ÜÇÜN VACİB TƏLİMATLARI DİQQƏTLƏ OXUYUN VƏ GƏLƏCƏK İSTİFADƏ ÜÇÜN SAXLAYIN.

1. Cihazı ilk dəfə istifadə etməzdən əvvəl, təlimat kitabçasını oxuyun və orada olan təlimatlara əməl edin. İstehsalçı cihazın nəzərdə tutulduğundan başqa məqsədlər üçün istifadəsi və ya cihazın düzgün istifadə edilməməsi nəticəsində dəymiş ziyana görə məsuliyyət daşımır.
2. Cihaz yalnız məişət istifadəsi üçündür. Təyin edilmiş məqsədlərdən başqa məqsədlər üçün istifadə etməyin.
3. Cihaz yalnız 230-240V ~50Hz torpaqlama rozetkasına qoşulmalıdır. Təhlükəsizliyi artırmaq üçün eyni vaxtda bir neçə elektrik cihazını bir elektrik dövrəsinə qoşmayın.
4. Əgər yaxınlıqda uşaqlar varsa, cihazdan istifadə edərkən xüsusi diqqət yetirin. Uşaqların cihazla oynamasına icazə verməyin. Uşaqların və ya cihazla tanış olmayan şəxslərin onu idarə etməsinə icazə verməyin.
5. XƏBƏRDARLIQ: Bu cihaz 8 yaşdan yuxarı uşaqlar və fiziki, hissiyyət və ya əqli qabiliyyəti zəif olan şəxslər və ya cihaz haqqında təcrübəsi və ya biliyi olmayan şəxslər tərəfindən yalnız onların təhlükəsizliyinə cavabdeh olan şəxsin nəzarəti altında istifadə oluna bilər və ya əgər onlar cihazın təhlükəsiz istifadəsi ilə bağlı təlimatlandırılıbsa və onun istismarı ilə bağlı təhlükələrdən xəbərdardadırlarsa. Uşaqlar cihazla oynamamalıdır. Cihazın təmizlənməsi və saxlanması 8 yaşdan yuxarı olmadıqda və bu fəaliyyətlər nəzarət altında həyata keçirilmədikdə, uşaqlar tərəfindən həyata keçirilməməlidir.
6. İstifadədən sonra həmişə rozetkadan əlinizlə tutaraq fişini rozetkadan çıxarın. Elektrik naqilindən ÇƏKMƏYİN.
7. Rozetkaya qoşulmuş cihazı nəzarətsiz qoymayın.
8. Kabeli, ştəpseli və bütün cihazı suya və ya digər mayelərə batırmayın. Cihazı atmosfer şəraitinə (məsələn, yağış, günəş və s.) məruz qoymayın və ya yüksək rütubətdə (hamamda, rütubətli yay evlərində) istifadə etməyin.
9. Elektrik kabelinin vəziyyətini mütəmadi olaraq yoxlayın. Elektrik kabeli zədələnsə, təhlükənin qarşısını almaq üçün onu mütəxəssis təmir yerində dəyişdirmək lazımdır.
10. Cihazı zədələnmiş elektrik kabeli ilə və ya yerə düşmüş və ya hər hansı şəkildə zədələnmişsə və ya düzgün işləmirsə istifadə etməyin. Cihazı özünüz təmir etməyin, çünki elektrik cərəyanı vurma riski var. Zədələnmiş cihazı yoxlamaq və ya təmir etmək üçün müvafiq xidmət mərkəzində buraxın. Hər hansı zədələri yalnız səlahiyyətli xidmət mərkəzləri təmir edə bilər. Düzgün olmayan təmir istifadəçi üçün ciddi risklə nəticələnə bilər.

11. Cihaz sərın, dayanıqlı, düz bir səthdə, elektrik sobaları, qaz ocaqları və s.
12. Cihazı yanan materialların yanında istifadə etməyin.
13. Elektrik kabeli masanın kənarından asılmamalı və ya isti səthlərə toxunmamalıdır.
14. Təmizləməzdən əvvəl və ya istifadə etdikdən sonra rozetkadan əlinizlə tutaraq fişini elektrik rozetkasından çıxarın. Elektrik naqilindən ÇƏKMƏYİN.
15. Mikrodalğalı sobanı döner masası və döner masa dəstəyi düzgün mövqeyə qoymadan istifadə etməyin.
16. Mikrodalğalı sobanı yalnız yemək bişirmək üçün istifadə edin. Mikrodalğalı sobadan paltar, kağız və ya digər qeyri-ərzaq əşyalarını qurutmaq üçün istifadə etməyin. Mikrodalğalı sobanı sterilizasiya məqsədləri üçün istifadə etməyin.
17. Mikrodalğalı sobanı heç vaxt boş istifadə etməyin, çünki bu cihaza zərər verə bilər.
18. Mikrodalğalı sobanın içini kağız, kitab və s. kimi məhsulları saxlamaq üçün istifadə etməyin.
19. Kartof, alma və ya şabalıd kimi qabığı qalın olan qida məhsulları bişməzdən əvvəl bir neçə dəfə deşilməlidir.
20. Korpusun dəliklərinə heç bir əşya qoymayın.
21. Mikrodalğalı sobanın heç bir hissəsini heç vaxt çıxarmayın. DİQQƏT: Qapağı çıxarmayın.
Mikrodalğalı radiasiya və yüksək gərginlik mənbəyi.
22. Heç vaxt birbaşa döner qabda bişirməyin. Yeməyi həmişə mikrodalğalı soba üçün təhlükəsiz qaba qoyun.
23. Yalnız mikrodalğalı soba üçün təhlükəsiz qablardan istifadə edin.
24. Mikrodalğalı sobanın yuxarı səthinin üstündə minimum 30 sm boş yer saxlayın.
25. Mikrodalğalı sobada yeməkləri qızartmayın. İsti yağ mikrodalğalı sobanın və qabın hissələrinə zərər verə bilər və dərinizi zədələyə bilər.
26. XƏBƏRDARLIQ: Bişirmə başa çatdıqdan və mikrodalğalı sobadan çıxarıldıqdan sonra qaba toxunmaq üçün isti olmasa belə, qabda qızdırılan maye çox isti olur.
27. Mikrodalğalı sobada içkilərin qızdırılması partlayıcı maddələrin gecikmiş qaynamasına səbəb ola bilər - konteynerlə işləyərkən diqqətli olun.
28. Yanıqların qarşısını almaq üçün uşaq qida şüşələrinin və uşaq qidalarının qablarının içini qarışdırın və ya silkələyin, sonra xidmət etməzdən əvvəl temperaturu yoxlayın.
29. Əgər tüstünün mikrodalğalı sobanı söndürdüyünü görsəniz, alovu

- boğmaq üçün tıxacını rozetkadan çıxarın və qapını bağlı buraxın.
30. Qızdırılan yeməyin qaba keçməsi nəticəsində qablar qıza bilər. Qabları daşıyarkən müvafiq qoruyucu vasitələrdən istifadə edin.
31. Mikrodalğalı sobanın içərisində yanğın ehtimalını azaltmaq üçün aşağıdakı qaydalara əməl edin:
- kağızdan, plastikdən və ya digər yanan materiallardan hazırlanmış qablarda qidaları uzun müddət bişirməyin
 - mikrodalğalı sobanın içərisinə yerləşdirməzdən əvvəl bütün metal elementləri qablaşdırmadan çıxarın
 - yeməkləri plastikdə qızdırarkənvə ya kağız qablarda, konteynerin alışıma ehtimalına görə mikrodalğalı sobanı tez-tez yoxlayın
32. XƏBƏRDARLIQ: Qapı və ya onun möhürü zədələnsə, mikrodalğalı soba ixtisaslı şəxs tərəfindən təmir edilməyincə istifadə edilə bilməz.
33. XƏBƏRDARLIQ: Mikrodalğalı enerjiden qoruyucu örtüyün çıxarılması ilə bağlı hər hansı xidmət və ya təmirə bağlı fəaliyyətlər təhlükəlidir və ixtisaslı şəxslər tərəfindən həyata keçirilməlidir.
34. XƏBƏRDARLIQ: Mayelər və digər qidalar möhürlənmiş qablarda qızdırılmamalıdır, çünki onlar partlaya bilər.
35. Mikrodalğalı soba müstəqil istifadə üçün nəzərdə tutulub. Mikrodalğalı sobanı şkafın içinə qoymayın.
36. Mikrodalğalı sobanı müntəzəm təmizləmək və yemək qalıqlarını təmizləmək tövsiyə olunur.
37. Mikrodalğalı sobanın təmiz saxlanılmaması səthin pisləşməsi ilə nəticələnə bilər ki, bu da mikrodalğalı sobanın davamlılığına mənfi təsir göstərə və beləliklə də təhlükəli vəziyyətlərə səbəb ola bilər. Mikrodalğalı sobanın içini təmiz saxlamaq lazımdır. Mikrodalğalı sobanın daxili divarları çirkləndikdə, qida hissəciklərini və ya tökülən mayeləri nəm bir parça ilə təmizləyin.
38. Ağır kirlər üçün yumşaq yuyucu vasitələrdən istifadə edin. Tərkibində aşındırıcı maddələr olan təmizləyici vasitələrdən istifadə etməyin.
39. Sprey şəklində təmizləyici vasitələrdən və ya digər güclü təmizləyici vasitələrdən istifadə etməyin, çünki onlar mikrodalğalı sobanın və qapının səthini ləkələyə, zolaqlar yarada və ya tutqunlaşdıra bilər.
40. Mikrodalğalı sobanın xarici səthi nəm parça ilə təmizlənməlidir. Mikrodalğalı sobanın içindəki komponentlərin zədələnməsinin qarşısını almaq üçün içəridəki havalandırma dəliklərindən su damlamadığından əmin olun.
41. Qapının hər iki tərəfi, pəncərə, qapı möhürü və ona bitişik hissələr yemək qalıqlarını və ya tökülən mayeləri təmizləmək üçün mütəmadi olaraq nəm parça ilə silinməlidir.
42. İdarəetmə panelinin islanmasına icazə verməyin. Yumşaq, nəm parça

ilə təmizləyin. İdarəetmə panelini təmizləmək üçün yuyucu vasitələrdən, aşındırıcı maddələrdən və ya təmizləyici spreylərdən istifadə etməyin.

43. Mikrodalğalı sobanın içərisində və ya qapının ətrafında su buxarı toplanırsa, onu yumşaq parça ilə silin. Bu, mikrodalğalı soba yüksək rütubət şəraitində işləyərkən və cihazda heç bir nasazlıq əlamətləri olmadıqda baş verə bilər.

44. Şüşə döner qabı vaxtaşırı isti, qaynadılmış suda və ya qabyuyan maşında təmizləyin.

45. Mikrodalğalı sobada qabıqlı yumurtaları və ya bütöv qaynadılmış yumurtaları qızdırmayın. Mikrodalğalı sobada isitmə başa çatdıqdan sonra da onlar partlaya bilər.



46. Mikrodalğalı sobanın isti səthlərinə (qapı, yuxarı və ya alt divar ve yan divarlar) toxunmayın. İsti elementləri çıxararkən və ya onlara toxunarkən qoruyucu əlcəklərdən istifadə edin.

47. Əlavə mühafizəni təmin etmək üçün elektrik dövrəsində qalıq cərəyanı 30 mA-dan çox olmayan qalıq cərəyan qurğusunun (RCD) quraşdırılması tövsiyə olunur. Bu məsələdə peşəkar elektrikçi ilə əlaqə saxlayın.

48. XƏBƏRDARLIQ: Yalnız bundan sonra uşaqlara sobanı təhlükəsiz şəkildə istifadə edə bilmələri və düzgün istifadə edilməməsi nəticəsində yarana biləcək təhlükələrdən xəbərdar olmaları üçün onlara müvafiq göstərişlər verildikdə sobanı nəzarətsiz istifadə etmələrinə icazə verin.

49. Qida və içkilər üçün metal qabların mikrodalğalı sobada istifadəsinə icazə verilmir.

CİHAZIN TƏSVİRİ (Şəkil 1)

1. Qapı kilidi
2. Mikrodalğalı sobanın pəncərəsi
3. Döner masa dəstəyi dəsti
4. Qapının açılması
5. İdarəetmə paneli
6. Şüşə döner masa

İDARƏ PANOSU (Şəkil 2)

- 2.1. Taymer 0-30 dəqiqə
- 2.2. Güc səviyyəsini təyin etmək üçün düymə

I: aşağı güc - 20%

II: aşağı-orta güc - 52%

III: orta güc - 73%

IIII orta-yüksək güc - 88%

IIIIII yüksək güc - 100%

☼: ərimə – 42%

İLK İSTİFADƏDƏN ƏVVƏL

1. Mikrodalğalı sobanın içərisindən bütün qablaşdırmanın çıxarıldığına əmin olun.
2. Əyilmiş və ya əyilmiş qapı, zədələnmiş qapı möhürləri, zədələnmiş kontakt səthi, çatlamış və ya boş qapı menteşələri və qıfılları, mikrodalğalı sobada və ya qapıda əyilmə kimi heç bir zədə əlamətlərinin olmadığını yoxlayın. Hər hansı bir zədə olarsa, cihazdan istifadə etməyin və xidmət şöbəsinə müraciət edin.
3. Mikrodalğalı sobanı yüksək temperatura və ya rütubətə məruz qoymayın və yaxınlıqda yanan materiallar qoymayın.

4. Mikrodalğalı sobanı çəkisinə tab gətirəcək düz, dayanıqlı bir səthə qoyun.
5. Mikrodalğalı sobanın üstünə heç nə qoymayın və ya ventilyasiya dəliklərini bağlamayın və ya örtməyin.
6. Döner masanın milini çıxarmayın.
7. Uşaqların təhlükəsizliyi üçün cihazı işləyərkən heç vaxt nəzarətsiz qoymayın.

CİHAZDAN İSTİFADƏ ETMƏK

1. Yeməyi mikrodalğalı sobanın içərisindəki şüşə döner qabın üzərinə uyğun qaba qoyduqdan sonra. Mikrodalğalı sobanın qapısını bağlayın, istədiyiniz güc səviyyəsini (Şəkil 2 .2) və taymerdə bişirmə vaxtını təyin edin (Şəkil 2 .1).
- DİQQƏT: MIKRODALQALQALI SOB VAXT QURULDUKTAN SONRA DƏRHAL İŞƏ BAŞLAYACAQ.**
2. İstədiyiniz bişirmə vaxtı 5 dəqiqədən azdırsa, əvvəlcə taymer düyməsini 5 dəqiqəlik xəttədən kənara çevirin, sonra müvafiq vaxtı təyin etmək üçün taymer düyməsini geri çevirin.
3. Əgər qida mikrodalğalı sobadan müəyyən edilmiş proqram vaxtı keçməmişdən əvvəl çıxarılıbsa, DÜYÜYÜ HƏMİŞƏ SIFIR MÖVQEYƏ DÖNDÜRÜN.
4. Mikrodalğalı sobanı dayandırmaq üçün taymer düyməsini sıfır vəziyyətinə çevirin. Mikrodalğalı sobanın qapısı əsnasında açılırsaPişirmə prosesində mikrodalğalı soba avtomatik olaraq fəaliyyətini dayandıracaq. Qapının yenidən bağlanması mikrodalğalı sobanı əvvəlki parametrlərə uyğun olaraq avtomatik olaraq yenidən işə salacaq. Taymerdə qalan vaxta ehtiyac yoxdursa, taymer düyməsini yenidən sıfır vəziyyətinə çevirin.
- DİQQƏT: MIKRODALQALQALI sobanı İÇERISİNDƏ HƏR QƏRDA OLMADAN İŞİDLƏTMƏK CİHAZI XƏDƏR EDƏ BİLƏ BİLƏR.**

TƏMİZLİK VƏ XİDMƏT

1. Mikrodalğalı soba mütəmadi olaraq təmizlənməlidir və yemək qalıqları mütəmadi olaraq təmizlənməlidir. Mikrodalğalı sobanı təmizsiz qoymaq səthin zədələnməsinə səbəb ola bilər ki, bu da öz növbəsində cihazın xidmət müddətinə mənfi təsir göstərə və təhlükəli vəziyyətlərə səbəb ola bilər.
2. Təmizləməzdən əvvəl mikrodalğalı sobanı söndürün və fişini rozetkadan çıxarın.
3. Mikrodalğalı sobanın içini təmiz saxlamaq lazımdır. Mikrodalğalı sobanın daxili divarları çirkəndikdə, qida hissəciklərini və ya tökülən mayeləri nəm bir parça ilə təmizləyin.
4. Ağır kirlər üçün yumşaq yuyucu vasitələrdən istifadə edin. Tərkibində aşındırıcı maddələr olan təmizləyici vasitələrdən istifadə etməyin.
5. Sprey şəklində təmizləyici vasitələrdən və ya digər güclü təmizləyici vasitələrdən istifadə etməyin, çünki onlar mikrodalğalı sobanın və qapının səthinə ləkələyə, zolaqlar yarada və ya tutqunlaşdıra bilər.
6. Mikrodalğalı sobanın xarici səthi nəm parça ilə təmizlənməlidir. Mikrodalğalı sobanın içindəki komponentlərin zədələnməsinin qarşısını almaq üçün içəridəki havalandırma dəliklərindən su damlamadığından əmin olun.
7. Qapının, pəncərənin, qapının möhürünün hər iki tərəfi və ona bitişik hissələr mütəmadi olaraq nəm parça ilə silinməlidir ki, yemək qalıqları və ya tökülən mayelər təmizlənsin.
8. İdarəetmə panelinin islanmasına icazə verməyin. Yumşaq, nəm parça ilə təmizləyin. İdarəetmə panelini təmizləmək üçün yuyucu vasitələrdən, aşındırıcı maddələrdən və ya təmizləyici spreylərdən istifadə etməyin.
9. Mikrodalğalı sobanın içərisində və ya qapının ətrafında su buxarı toplanırsa, onu yumşaq parça ilə silin. Bu, mikrodalğalı soba yüksək rütubət şəraitində işləyərkən və cihazda heç bir nasazlıq əlamətləri olmadıqda baş verə bilər.
10. Şüşə döner qabı vaxtaşırı iliq, qaynadılmış suda və ya qabyuyan maşında təmizləyin.
11. Mikrodalğalı sobanın işləməsi zamanı həddindən artıq səs-küyün qarşısını almaq üçün mikrodalğalı sobanın daxili hissəsinin döner dayağı və alt hissəsinə mütəmadi olaraq təmizləyin. Bunun üçün yumşaq yuyucu vasitə, su və ya pəncərə təmizləyicisi istifadə edə bilərsiniz. Döner masa dəstəyi iliq suda və ya qabyuyan maşında yuyula bilər. Döner masa dəstəyini təmizlədikdən sonra onun təmizlənmək üçün çıxarılmazdan əvvəl olduğu yerə düzgün quraşdırıldığından əmin olun.
12. Pişirmə zamanı bişmiş yeməkdən və ya mayedən buxar toplanı bilər. Bununla belə, bu, mikrodalğalı sobanın daxili hissəsinin səthinə və döner masanın dayağ halqasına təsir göstərmir.
13. Bişirdikdən sonra qalıq qoxuları aradan qaldırmaq üçün mikrodalğalı sobanın içinə mikrodalğalı soba üçün təhlükəsiz qabda su və limon suyu və ya su və limon qabığının qarışığını qoyun. Bu qarışığı 5 dəqiqə qızdırın, sonra mikrodalğalı sobanın içini yumşaq bir parça ilə silin.
14. XƏBƏRDARLIQ: Cihazı buxar tozsoranla təmizləmək olmaz

TEXNİKİ MƏLUMAT:

Enerji mənbəyi: 230-240V ~50Hz Maksimum güc: 1100W Mikrodalğalı sobanın gücü:700W
Tezlik: 2450 MHz
Mikrodalğalı sobanın tutumu: 20 litr



Ətraf mühiti qorumaq üçün: kartonları və plastik torbaları ayırın və müvafiq tullantı qablarına qoyun. İstifadə olunmuş cihaz ətraf mühitə təsir göstərə bilən xüsusi toplama məntəqələrinə çatdırılmalıdır. Bu cihazı adi zibilliyə atmayın.

KUSHTET E PËRGJITHSHME TË SIGURISË UDHËZIME TË RËNDËSISHME MBI SIGURINË E PËRDORIMIT JU LUTEM LEXONI ME KUJDES DHE MBANI PËR REFERENCA TË ARDHSHME

1. Përpara përdorimit të parë të pajisjes, ju lutemi lexoni manualin e udhëzimeve dhe ndiqni udhëzimet e përfshira aty. Prodhuesi nuk mban përgjegjësi për dëmet e shkaktuara nga përdorimi i pajisjes për qëllime të ndryshme nga ato të synuara ose nga përdorimi i gabuar i pajisjes.
2. Pajisja është vetëm për përdorim shtëpiak. Mos e përdorni për qëllime të ndryshme nga ato të synuara.
3. Pajisja duhet të lidhet vetëm me një prizë tokëzimi 230-240V ~50Hz. Për të rritur sigurinë, mos lidhni njëkohësisht disa pajisje elektrike në një qark energjie.
4. Kushtojini vëmendje të veçantë kur përdorni pajisjen nëse ka fëmijë afër. Mos lejoni fëmijët të luajnë me pajisjen. Mos lejoni që fëmijët ose personat që nuk e njohin pajisjen ta përdorin atë.
5. **PARALAJMËRIM:** Kjo pajisje mund të përdoret nga fëmijë mbi 8 vjeç dhe persona me aftësi të kufizuara fizike, shqisore ose mendore, ose persona pa përvojë ose njohuri për pajisjen, vetëm nën mbikëqyrjen e një personi përgjegjës për sigurinë e tyre, ose nëse janë udhëzuar për përdorimin e sigurt të pajisjes dhe janë të vetëdijshëm për rreziqet që lidhen me funksionimin e saj. Fëmijët nuk duhet të luajnë me pajisjen. Pastrimi dhe mirëmbajtja e pajisjes nuk duhet të kryhen nga fëmijët, përveç nëse janë mbi 8 vjeç dhe këto aktivitete kryhen nën mbikëqyrje.
6. Pas përdorimit hiqeni gjithmonë spinën nga priza duke e mbajtur prizën me dorë. MOS e tërhiqni nga kordoni i rrymës.
7. Mos e lini pajisjen e lidhur me prizën pa mbikëqyrje.
8. Mos e zhytni kabllon, spinën dhe të gjithë pajisjen në ujë ose lëngje të tjera. Mos e ekspozoni pajisjen ndaj kushteve atmosferike (p.sh. shiu, dielli etj.) ose mos e përdorni në lagështi të lartë (në banjë, në shtëpitë verore me lagështirë).
9. Kontrolloni rregullisht gjendjen e kordonit të rrymës. Nëse kordoni i rrymës është i dëmtuar, ai duhet të zëvendësohet në një prizë riparimi të specializuar për të shmangur rrezikun.
10. Mos e përdorni pajisjen me një kabllo të dëmtuar të rrymës ose nëse është rënë ose dëmtuar në ndonjë mënyrë ose nuk funksionon siç duhet. Mos e riparoni vetë pajisjen pasi ekziston rreziku i goditjes elektrike. Lëreni pajisjen e dëmtuar në qendrën e duhur të shërbimit për t'u kontrolluar ose riparuar. Vetëm qendrat e autorizuara të shërbimit mund të

riparojnë çdo dëmtim. Riparimi i gabuar mund të rezultojë në rrezik serioz për përdoruesin.

11. Pajisja duhet të vendoset në një sipërfaqe të ftohtë, të qëndrueshme, të niveluar, larg pajisjeve ngrohëse të kuzhinës si p.sh. soba elektrike, djegës me gaz etj.
12. Mos e përdorni pajisjen pranë materialeve të ndezshme.
13. Kordoni i rrymës nuk mund të varet mbi skajin e tavolinës ose të prekë sipërfaqe të nxehta.
14. Para pastrimit ose pas përdorimit hiqeni spinën nga priza duke e mbajtur prizën me dorë. MOS e tërhiqni nga kordoni i rrymës.
15. Mos e përdorni furrën me mikrovalë pa pllakën rrotulluese dhe mbështetësen e pllakës rrotulluese të vendosur në pozicionin e duhur.
16. Përdorni vetëm furrën me mikrovalë për gatimin e ushqimit. Mos e përdorni furrën me mikrovalë për të tharë rroba, letër ose sende të tjera jo ushqimore. Mos e përdorni furrën me mikrovalë për qëllime sterilizimi.
17. Mos e përdorni kurrë furrën me mikrovalë bosh, pasi kjo mund të dëmtojë pajisjen.
18. Mos përdorni pjesën e brendshme të furrës me mikrovalë për të ruajtur produkte, si letra, libra etj.
19. Produktet ushqimore me lëkurë të trashë, si patatet, mollët ose gështenjat, duhen shpuar disa herë para gatimit.
20. Mos vendosni asnjë send në vrimat e kutisë.
21. Asnjëherë mos hiqni asnjë pjesë të furrës me mikrovalë. **KUJDES:** Mos e hiqni kapakun.

Burimi i rrezatimit të mikrovalës dhe tensionit të lartë.

22. Asnjëherë mos gatuani direkt në pllakë rrotulluese. Vendoseni gjithmonë ushqimin në një enë të sigurt për mikrovalë.
23. Përdorni vetëm enë të sigurt për mikrovalë.
24. Mbani një minimum prej 30 cm hapësirë të lirë mbi sipërfaqen e sipërme të furrës me mikrovalë.
25. Mos i skuqni ushqimet në furrë me mikrovalë. Vaji i nxehtë mund të dëmtojë pjesë të furrës me mikrovalë dhe pjatës dhe mund të dëmtojë lëkurën tuaj.
26. **PARALAJMËRIM:** Lëngu i nxehur në një enë është shumë i nxehtë edhe nëse ena nuk është e nxehtë për t'u prekur pas përfundimit të gatimit dhe largimit nga furra me mikrovalë.
27. Ngrohja e pijeve në një furrë me mikrovalë mund të shkaktojë vonesë në vlimin e eksplozivit - kini kujdes kur përdorni enën.
28. Për të shmangur djegiet, përziëni ose tundni përmbajtjen e shisheve të ushqimit të fëmijëve dhe kavanozave me ushqim për fëmijë, më pas

kontrolloni temperaturën përpara se ta shërbeni.

29. Nëse shihni tym fikni furrën me mikrovalë, hiqni spinën nga priza dhe lëreni derën të mbyllur për të mbytur flakët.

30. Enët mund të nxehen si pasojë e nxehtësisë nga ushqimi i nxehtë që transferohet në enë. Përdorni mbrojtjen e duhur kur mbani enët.

31. Për të zvogëluar gjasat e zjarrit brenda furrës me mikrovalë, ndiqni rregullat e mëposhtme:

a. mos gatvani ushqim në enë të bëra nga letra, plastika ose materiale të tjera të ndezshme për një periudhë të gjatë kohore

b. hiqni të gjithë elementët metalikë nga paketimi përpara se t'i vendosni brenda furrës me mikrovalë

c. kur ngrohni ushqimin në plastikë ose enë letre, kontrolloni shpesh furrën me mikrovalë për shkak të mundësisë që ena të marrë zjarr

32. PARALAJMËRIM: Nëse dera ose vula e saj është dëmtuar, furra me mikrovalë nuk mund të përdoret derisa të riparohet nga një person i kualifikuar.

33. PARALAJMËRIM: Çdo shërbim ose aktivitet i lidhur me riparimin që përfshin heqjen e mbulesës mbrojtëse ndaj energjisë së mikrovalës është i rrezikshëm dhe duhet të kryhet nga persona të kualifikuar.

34. PARALAJMËRIM: Lëngjet dhe ushqimet e tjera nuk duhet të ngrohen në enë të mbyllura pasi mund të shpërthejnë.

35. Furra me mikrovalë është menduar për përdorim të pavarur. Mos e vendosni furrën me mikrovalë në dollap.

36. Rekomandohet pastrimi i rregullt i furrës me mikrovalë dhe heqja e mbetjeve të ushqimit.

37. Mosmbajtja e pastër e furrës me mikrovalë mund të rezultojë në përkeqësim të sipërfaqes, gjë që mund të ndikojë negativisht në qëndrueshmërinë e furrës me mikrovalë dhe kështu të çojë në situata të rrezikshme.

Pjesa e brendshme e furrës me mikrovalë duhet të mbahet e pastër. Në rast të ndotjes së mureve të brendshme të furrës me mikrovalë, hiqni grimcat e ushqimit ose derdhjet e lëngjeve me një leckë të lagur.

38. Për papastërtitë e rënda përdorni një detergjent të butë. Mos përdorni agjentë pastrimi që përmbajnë gërryes.

39. Mos përdorni agjentë pastrimi në formë sprej ose agjentë të tjerë të fortë pastrimi, pasi ato mund të njollosin, njollosin ose zbehin sipërfaqen e furrës me mikrovalë dhe derën.

40. Sipërfaqja e jashtme e furrës me mikrovalë duhet të pastrohet me një leckë të lagur. Për të shmangur dëmtimin e komponentëve brenda furrës me mikrovalë, sigurohuni që të mos pijë ujë nëpër vrimat e ventilimit

brenda.

41. Të dy anët e derës, dritares, vula e derës dhe pjesët ngjitur duhet të fshihen rregullisht me një leckë të lagur për të hequr çdo mbetje ushqimore ose lëngje të derdhur.

42. Mos lejoni që paneli i kontrollit të laget. Pastrojeni me një leckë të butë dhe të lagur. Mos përdorni detergjentë, gërryes ose sprej pastrimi për të pastruar panelin e kontrollit.

43. Nëse avujt e ujit mblidhen brenda furrës me mikrovalë ose rreth derës, fshijeni atë me një leckë të butë. Kjo mund të ndodhë kur furra me mikrovalë përdoret në kushte lagështie të lartë dhe kur nuk ka shenja defekti në pajisje.

44. Pastroni periodikisht pllakën e qelqit në ujë të ngrohtë e të valuar ose në lavastovilje.

45. Mos i ngrohni vezët me lëvozhgë ose vezët e plota të ziera në furrë me mikrovalë. Ato mund të shpërthejnë edhe pas përfundimit të ngrohjes në furrën me mikrovalë.



46. Mos prekni sipërfaqet e nxehta të furrës me mikrovalë (derën, murin e sipërm ose të poshtëm dhe muret anësore). Përdorni doreza mbrojtëse kur hiqni ose prekni ndonjë element të nxehtë.

47. Për të siguruar mbrojtje shtesë, rekomandohet instalimi i pajisjes së rrymës së mbetur (RCD) në qarkun e fuqisë, me rrymë të mbetur jo më shumë se 30 mA. Kontaktoni një elektrikist profesionist për këtë çështje.

48. **PARALAJMËRIM:** Lejojini fëmijët të përdorin furrën pa mbikëqyrje vetëm atëherë kur u janë dhënë udhëzimet e duhura, në mënyrë që të mund ta përdorin furrën në mënyrë të sigurt dhe të jenë të vetëdijshëm për rreziqet që vijnë nga përdorimi jo i duhur.

49. Kontejnerët metalikë për ushqim dhe pije nuk lejohen të përdoren në furrë me mikrovalë.

PËRSHKRIMI I PAJISJES (Fig. 1)

1. Kycja e derës
2. Dritarja e furrës me mikrovalë
3. Set mbështetës i rrotullës
4. Hapja e derës
5. Paneli i kontrollit
6. Tableta prej xhami

PANELI I KONTROLLIT (Fig. 2)

- 2.1. Kohëmatësi 0-30 minuta
 - 2.2. Doreza për vendosjen e nivelit të fuqisë
- I: fuqi e ulët - 20%
- II: fuqia e ulët-mesatare - 52%
- III: fuqia mesatare - 73%
- IIII fuqi mesatare-e lartë - 88%
- IIIII fuqi e lartë - 100%
- : shkrija - 42%

PARA PËRDORIMIT TË PARË

1. Sigurohuni që i gjithë paketimi të jetë hequr nga pjesa e brendshme e furrës me mikrovalë.
2. Kontrolloni që të mos ketë shenja dëmtimi, si p.sh. një derë e përkulur ose e deformuar, vula të dëmtuara të derës, sipërfaqe kontakti e dëmtuar, menteshat dhe shulat e derës të çara ose të liruara, gërvishje në furrën me mikrovalë ose derën. Në rast të ndonjë dëmtimi, mos e përdorni pajisjen dhe kontaktoni departamentin e shërbimit.
3. Mos e ekspozoni furrën me mikrovalë ndaj temperaturave të larta ose lagështisë dhe mos vendosni pranë materiale të ndezshme.
4. Vendosni furrën me mikrovalë në një sipërfaqe të sheshtë, të qëndrueshme, e cila do të përballojë peshën e saj.
5. Mos vendosni asgjë sipër furrës me mikrovalë ose mos bllokoni ose mbuloni vrimat e ventilimit.
6. Mos e hiqni boshtin e pllakës rrotulluese.
7. Për qëllime të sigurisë së fëmijëve, mos e lini kurrë pajisjen pa mbikëqyrje gjatë përdorimit.

PËRDORIMI I PAJISJES

1. Pasi të keni vendosur ushqimin në një enë të përshtatshme në pllakën rrotulluese të qelqit brenda furrës me mikrovalë. Mbyllni derën e furrës me mikrovalë, vendosni nivelin e dëshiruar të fuqisë (Fig. 2 .2) dhe kohën e gatimit në kohëmatës (Fig. 2 .1).
- KUJDES: FURRA E MIKROVALËS DO TË FILLOJË FUNKSIONIM MENJËHERË PAS KËRKESËS SË KOHA.**
2. Nëse koha e dëshiruar e gatimit është më pak se 5 minuta, fillimisht kthejeni çelësin e kohëmatësit jashtë linjës 5-minutëshe, më pas kthejeni përsëri çelësin e kohëmatësit për të vendosur kohën e duhur.
 3. Nëse ushqimi është hequr nga furra me mikrovalë përpara se të mbarojë koha e caktuar e programit, **KTHEJENI GJITHMONË KOMPJEN NË POZICIONIN ZERO.**
 4. Për të ndaluar furrën me mikrovalë, rrotulloni çelësin e kohëmatësit në pozicionin zero. Nëse dera e furrës me mikrovalë hapet gjatë procesit të gatimit, furra me mikrovalë do të ndalojë së punuari automatikisht. Rimbyllja e derës do të rindez automatikisht furrën me mikrovalë sipas cilësimeve të mëparshme. Nëse koha e mbetur në kohëmatës nuk është e nevojshme, kthejeni çelësin e kohëmatësit përsëri në pozicionin zero.
- KUJDES: FUNKSIONIMI I FURRËS ME MIKROVALË PA ASNJË USHQIM BRENDA MUND TË DËMTOJË PAJISJEN.**

PASTRIMI DHE MIRËMBAJTJA

1. Furra me mikrovalë duhet pastruar rregullisht dhe mbetjet e ushqimit duhet të hiqen rregullisht. Lënia e furrës me mikrovalë të papastër mund të shkaktojë dëmtim të sipërfaqes, e cila nga ana tjetër mund të ndikojë negativisht në jetëgjatësinë e pajisjes dhe të çojë në situata të rrezikshme.
2. Përpara pastrimit fiken furrën me mikrovalë dhe hiqni spinën nga priza.
3. Pjesa e brendshme e furrës me mikrovalë duhet të mbahet e pastër. Në rast të ndotjes së mureve të brendshme të furrës me mikrovalë, hiqni grimcat e ushqimit ose derdhjet e lëngjeve me një leckë të lagur.
4. Për papastërtitë e rënda përdorni një detergjent të butë. Mos përdorni agjentë pastrimi që përmbajnë gërryes.
5. Mos përdorni agjentë pastrimi në formë sprej ose agjentë të tjerë të fortë pastrimi, pasi ato mund të njoollsin, njoollsin ose errësojnë sipërfaqen e furrës me mikrovalë dhe derën.
6. Sipërfaqja e jashtme e furrës me mikrovalë duhet të pastrohet me një leckë të lagur. Për të shmangur dëmtimin e komponentëve brenda furrës me mikrovalë, sigurohuni që të mos pijë ujë nëpër vrimat e ventilimit brenda.
7. Të dy anët e derës, dritares, vula e derës dhe pjesët ngjitur duhet të fshihen rregullisht me një leckë të lagur për të hequr çdo mbetje ushqimore ose lëngje të derdhur.
8. Mos lejoni që paneli i kontrollit të laget. Pastrojeni me një leckë të butë dhe të lagur. Mos përdorni detergjentë, gërryes ose sprej pastrimi për të pastruar panelin e kontrollit.
9. Nëse avujt e ujit mblidhen brenda furrës me mikrovalë ose rreth derës, fshijeni atë me një leckë të butë. Kjo mund të ndodhë kur furra me mikrovalë përdoret në kushte lagështie të lartë dhe kur nuk ka shenja defekti në pajisje.
10. Pastroni periodikisht pllakën e qelqit në ujë të ngrohtë e të valuar ose në lavastovilje.
11. Për të shmangur zhurmën e tepërt gjatë funksionimit të furrës me mikrovalë, pastroni rregullisht mbështetësen e pllakës rrotulluese dhe bazën e pjesës së brendshme të furrës me mikrovalë. Për këtë ju mund të përdorni një detergjent të butë, ujë ose pastrues dritaresh. Mbështetja e pllakës rrotulluese mund të lahet në ujë të vakët ose në pjalarrëse. Pas pastrimit të suportit të pllakës rrotulluese, sigurohuni që ajo të jetë montuar saktë aty ku ishte përpara heqjes për pastrim.
12. Avujt nga ushqimi i gatuar ose lëngu mund të mblidhen gjatë gatimit. Megjithatë, kjo nuk ndikon në sipërfaqen e brendshme të furrës me mikrovalë dhe unazën mbështetëse të pllakës rrotulluese.
13. Për të hequr çdo erë të mbetur pas gatimit, vendosni një përzierje uji dhe lëngu limoni ose uji dhe lëvozhga

limoni në një enë të sigurt për mikrovalë brenda furrës me mikrovalë. Ngrohni këtë përzierje për 5 minuta, më pas fshijeni pjesën e brendshme të furrës me mikrovalë me një leckë të butë.

14. PARALAJMËRIM: Pajisja nuk mund të pastrohet duke përdorur një fshesë me avull

TË DHËNAT TEKNIKE:

Burimi i energjisë: 230-240V ~50Hz Fuqia maksimale: 1100W Fuqia e mikrovalës:700W

Frekuenca: 2450 MHz

Kapaciteti i furrës me mikrovalë: 20 litra



Për të mbrojtur mjedisin: ndani kartonat dhe qeset plastike dhe vendosini në kontejnerët e duhur të mbeturinave. Pajisja e përdorur duhet të dorëzohet në pika të veçanta grumbullimi që mund të ndikojnë në mjedis. Mos e hidhni këtë pajisje në mbeturina normale.

ADLER

EUROPE



AIR COOLER
AD 7913



FOOT SPA
AD 2177



HAIR CLIPPER
AD 2831



HAIR DRYER
AD 2265



HEATED PAD
AD 7412



CERAMIC FAN HEATER
AD 7731



OIL-FILLER RADIATOR
AD 7811



KITCHEN SCALE
AD 3171



CHOCOLATE FOUNTAIN
AD 4487



HAND BLENDER
AD 4617



LINT REMOVER
AD 9616



VACUUM CLEANER
AD 7044



MEAT MINCER
AD 4811



Blender
AD 4078



ELECTRIC GRILL
AD 6610



ELECTRIC KETTLE
AD 1293

ADLER

EUROPE



**COFFEE GRINDER
AD 4446**



**TOASTER 2 SLICE
AD 3214**



**HAND BLENDER
Ad4625**



**MIXER WITH BOWL
AD 4222**



**AIR FRYER OVEN
AD 6309**



**MICROWAVE OVEN
AD 6205**



**WAFFLE MAKER
AD 3049**



**KITCHEN SCALE
AD 3170**



**ELECTRIC KETTLE
AD 1286**



**SANDWICH MAKER
AD 3043**



**PORTABLE FRIDGE
AD 8077**



**Electric Oven With HOB
AD 6020**



**FAN HEATER
AD 7728**



**MOSQUITO LAMP
AD 7938**



**HEATED PAD
AD 7433**



**ORAL IRRIGATOR
AD 2176**



AFTER SALE SERVICE NOTICE

GB	If you want to buy spare parts or make any complaints, please contact the seller who issued the receipt directly.
DE	Wenn Sie Ersatzteile kaufen oder reklamieren möchten, wenden Sie sich bitte direkt an den Verkäufer, der die Quittung ausgestellt hat.
FR	Si vous souhaitez acheter des pièces de rechange ou faire des réclamations, veuillez contacter directement le vendeur qui a émis le reçu.
ES	Si desea comprar repuestos o presentar alguna queja, comuníquese directamente con el vendedor que emitió el recibo.
PT	Se você quiser comprar peças de reposição ou fazer alguma reclamação, entre em contato diretamente com o vendedor que emitiu o recibo.
LT	Jei norite įsigyti atsarginių dalių ar pateikti nusiskundimą, susisiekite tiesiogiai su kvitą išdavusiu pardavėju.
LV	Ja vēlaties iegādāties rezerves daļas vai izteikt pretenzijas, lūdzu, sazinieties tieši ar pārdevēju, kurš izsniedza čeku.
EST	Kui soovite osta varuosi või esitada pretensioone, võtke otse ühendust kviitungi väljastanud müüjaga.
HU	Ha pótalkatrészeket szeretne vásárolni, vagy panaszt szeretne tenni, forduljon közvetlenül a bizonnylatot kiállító eladóhoz.
BS	Ako želite kupiti rezervne dijelove ili napraviti reklamaciju, obratite se direktno prodavaču koji je izdao račun.
RO	Если вы хотите купить запчасти или предъявить какие-либо претензии, пожалуйста, свяжитесь напрямую с продавцом, выдавшим чек.
CZ	Chcete-li zakoupit náhradní díly nebo uplatnit jakoukoli reklamaci, kontaktujte přímo prodejce, který účtenku vystavil.
RU	Если вы хотите приобрести запасные части или подать претензию, обратитесь непосредственно к продавцу, который выдал чек.
GR	Εάν θέλετε να αγοράσετε ανταλλακτικά ή να κάνετε οποιαδήποτε παράπονα, επικοινωνήστε απευθείας με τον πωλητή που εξέδωσε την απόδειξη.
MK	Ako sakate da kupite rezervni delovi ili da podnesete kakvi bilo poplaki, kontaktirajte direktno sa prodavacem koji je izdao račun.
NL	Als u reserveonderdelen wilt kopen of een klacht wilt indienen, neem dan rechtstreeks contact op met de verkoper die de bon heeft afgegeven.
SL	Če želite kupiti nadomestne dele ali vložiti reklamacije, se obrnite neposredno na prodajalca, ki je izdal račun.
FI	Jos haluat ostaa varaosia tai tehdä valituksia, ota yhteyttä suoraan kuitin antaneeseen myyjään.
PL	W przypadku chęci zakupu części zamiennych lub zgłoszenia ewentualnych reklamacji należy kontaktować się bezpośrednio ze sprzedawcą, który wystawił paragon.
IT	Se desidero acquistare pezzi di ricambio o presentare reclami, contatta direttamente il venditore che ha emesso la ricevuta.
HR	Se desidero acquistare pezzi di ricambio o presentare reclami, contatta direttamente il venditore che ha emesso la ricevuta.
SV	Om du vill köpa reservdelar eller göra några reklamationer, vänligen kontakta säljaren som utfärdat kvittot direkt.
DK	Hvis du ønsker at købe reservedele eller reklamere, bedes du kontakte sælgeren, som har udstedt kvitteringen, direkte.
UA	Якщо ви хочете придбати запасчастини або подати будь-які претензії, зверніться безпосередньо до продавця, який видав чек.
SR	Ako želite da kupite rezervne delove ili da uložite reklamaciju, obratite se direktno prodavcu koji je izdao račun.
SK	Ak si chcete kúpiť náhradné diely alebo uplatniť akúkoľvek reklamáciu, kontaktujte priamo predajcu, ktorý účtenku vystavil.
AR	أو غير قطعاء عرض في ترغب كنتاذا شكوى أي تقديم، لاصتاا فيرجى مباشرة لاصتاا ردا بظلا بالبايع
BG	Ako iscate da zakupite rezervni delovi ili da napravite opravke, molja, svrжете se direktno sa prodavcem, koji je izdao račun.
AZ	Ehtiyat hissələri almaq və ya hər hansı şikayət etməklə istəyirsinizsə, qəbzi verən satıcı ilə birbaşa əlaqə saxlayın.
ALB	Nëse dëshironi të blini pjesë këmbimi ose të bëni ndonjë ankesë, j l temi kontaktoni drejtpërdrejt shitësin që ka lësh ar !at rén.