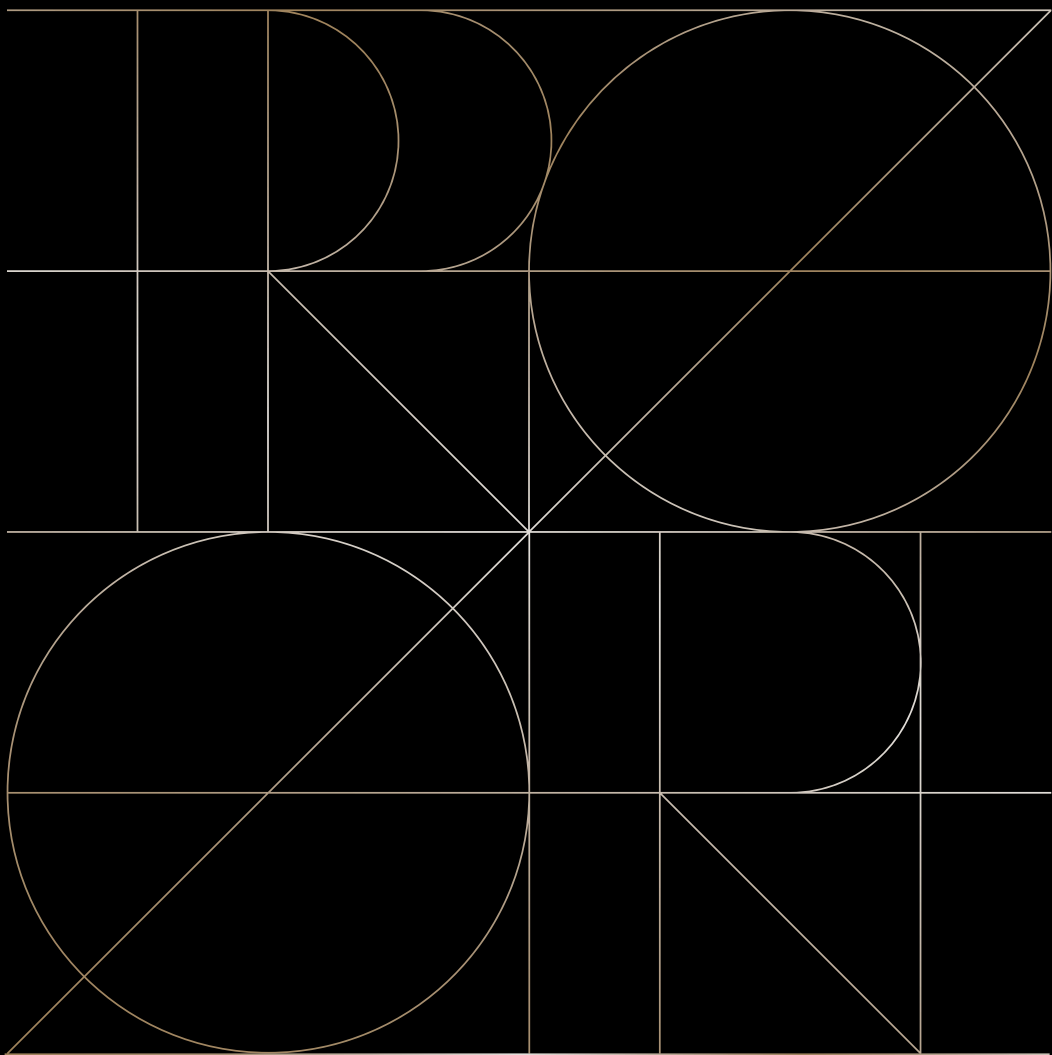


# ProArt

## PA27UCDMR

### USER GUIDE



**HDMI™**

HIGH-DEFINITION MULTIMEDIA INTERFACE

The terms HDMI, HDMI High-Definition Multimedia Interface, HDMI Trade dress and the HDMI logos are trademarks or registered trademarks of HDMI Licensing Administrator, Inc.

**ASUS**

First Edition

January 2026

**Copyright © 2026 ASUSTeK COMPUTER INC. All Rights Reserved.**

No part of this manual, including the products and software described in it, may be reproduced, transmitted, transcribed, stored in a retrieval system, or translated into any language in any form or by any means, except documentation kept by the purchaser for backup purposes, without the express written permission of ASUSTeK COMPUTER INC. ("ASUS").

Product warranty or service will not be extended if: (1) the product is repaired, modified or altered, unless such repair, modification or alteration is authorized in writing by ASUS; or (2) the serial number of the product is defaced or missing.

ASUS PROVIDES THIS MANUAL "AS IS" WITHOUT WARRANTY OF ANY KIND, EITHER EXPRESS OR IMPLIED, INCLUDING BUT NOT LIMITED TO THE IMPLIED WARRANTIES OR CONDITIONS OF MERCHANTABILITY OR FITNESS FOR A PARTICULAR PURPOSE. IN NO EVENT SHALL ASUS, ITS DIRECTORS, OFFICERS, EMPLOYEES OR AGENTS BE LIABLE FOR ANY INDIRECT, SPECIAL, INCIDENTAL, OR CONSEQUENTIAL DAMAGES (INCLUDING DAMAGES FOR LOSS OF PROFITS, LOSS OF BUSINESS, LOSS OF USE OR DATA, INTERRUPTION OF BUSINESS AND THE LIKE), EVEN IF ASUS HAS BEEN ADVISED OF THE POSSIBILITY OF SUCH DAMAGES ARISING FROM ANY DEFECT OR ERROR IN THIS MANUAL OR PRODUCT.

SPECIFICATIONS AND INFORMATION CONTAINED IN THIS MANUAL ARE FURNISHED FOR INFORMATIONAL USE ONLY, AND ARE SUBJECT TO CHANGE AT ANY TIME WITHOUT NOTICE, AND SHOULD NOT BE CONSTRUED AS A COMMITMENT BY ASUS. ASUS ASSUMES NO RESPONSIBILITY OR LIABILITY FOR ANY ERRORS OR INACCURACIES THAT MAY APPEAR IN THIS MANUAL, INCLUDING THE PRODUCTS AND SOFTWARE DESCRIBED IN IT.

Products and corporate names appearing in this manual may or may not be registered trademarks or copyrights of their respective companies, and are used only for identification or explanation and to the owners' benefit, without intent to infringe.

# Contents

Contents .....	iii
Notices .....	iv
TCO certified .....	vi
Safety information .....	vii
Care & Cleaning .....	ix
Takeback Services.....	x
Product information for EU energy label.....	x
<b>Chapter 1: Product introduction</b>	
1.1 Welcome! .....	1-1
1.2 Package contents.....	1-1
1.3 Monitor introduction .....	1-2
1.3.1 Front view .....	1-2
1.3.2 Back view .....	1-3
1.3.3 QuickFit Plus Function .....	1-5
1.3.4 Other Function(s) .....	1-8
<b>Chapter 2: Setup</b>	
2.1 Assembling the monitor arm/base .....	2-1
2.2 Detaching the arm/base (for VESA wall mount).....	2-3
2.3 Adjusting the monitor .....	2-4
2.4 Connecting the cables.....	2-5
2.5 Turning on the monitor.....	2-7
<b>Chapter 3: General instructions</b>	
3.1 OSD (On-Screen Display) menu .....	3-1
3.1.1 How to reconfigure.....	3-1
3.1.2 OSD function introduction.....	3-2
3.2 Specifications summary.....	3-18
3.3 Outline dimensions.....	3-20
3.4 Troubleshooting (FAQ).....	3-21
3.5 Supported operating modes .....	3-22

# Notices

## Federal Communications Commission Statement

This device complies with Part 15 of the FCC Rules. Operation is subject to the following two conditions:

- This device may not cause harmful interference, and
- This device must accept any interference received including interference that may cause undesired operation.

This equipment has been tested and found to comply with the limits for a Class B digital device, pursuant to Part 15 of the FCC Rules. These limits are designed to provide reasonable protection against harmful interference in a residential installation. This equipment generates, uses and can radiate radio frequency energy and, if not installed and used in accordance with the instructions, may cause harmful interference to radio communications. However, there is no guarantee that interference will not occur in a particular installation. If this equipment does cause harmful interference to radio or television reception, which can be determined by turning the equipment off and on, the user is encouraged to try to correct the interference by one or more of the following measures:

- Reorient or relocate the receiving antenna.
- Increase the separation between the equipment and receiver.
- Connect the equipment into an outlet on a circuit different from that to which the receiver is connected.
- Consult the dealer or an experienced radio/TV technician for help.



---

The use of shielded cables for connection of the monitor to the graphics card is required to assure compliance with FCC regulations. Changes or modifications to this unit not expressly approved by the party responsible for compliance could void the user's authority to operate this equipment.

---

## ENERGY STAR complied product



ENERGY STAR is a joint program of the U.S. Environmental Protection Agency and the U.S. Department of Energy helping us all save money and protect the environment through energy efficient products and practices.

All ASUS products with the ENERGY STAR logo comply with the ENERGY STAR standard, and the power management feature is enabled by default. The monitor and computer are automatically set to sleep after 10 and 30 minutes of user inactivity. To wake your computer, click the mouse or press any key on the keyboard. Please visit <http://www.energystar.gov/powermanagement> for detail information on power management and its benefits to the environment. In addition, please visit <http://www.energystar.gov> for detail information on the ENERGY STAR joint program.



---

NOTE: Energy Star is NOT supported on FreeDOS and Linux-based operating system.

---

## **Canadian Department of Communications Statement**

This digital apparatus does not exceed the Class B limits for radio noise emissions from digital apparatus set out in the Radio Interference Regulations of the Canadian Department of Communications.

This class B digital apparatus complies with Canadian ICES-003.

This Class B digital apparatus meets all requirements of the Canadian Interference - Causing Equipment Regulations.

Cet appareil numérique de la classe B respecte toutes les exigences du Règlement sur le matériel brouiller du Canada.



## **Software Low Blue Light compliance**

ASUS requests every model to pass SW LBL when “Image/ Blue Light Filter” is set to MAX.

Please refer to the following to alleviate eye strains:

- Users should take some time away from the display if working for long hours. It is advised to take short breaks (at least 5 mins) after around 1 hour of continuous working at the computer. Taking short and frequent breaks is more effective than a single longer break.
- To minimize eye strain and dryness in your eyes, users should rest the eye periodically by focusing on objects that are far away.
- Eye exercises can help to reduce eye strain. Repeat these exercises often. If eye strain continues please consult a physician. Eye exercise: (1) Repeating look up and down (2) Slowly roll your eyes (3) Move your eyes diagonal.
- High energy blue light may lead to eye strain and AMD (Age-Related Macular Degeneration). Blue light Filter to reduce 70% (max.) harmful blue light to avoiding CVS (Computer Vision Syndrome).

Blue Light Filter set to MAX. It is in compliance with TÜV Rheinland low blue light Software Solution certification.

## **Flicker-Free technology**

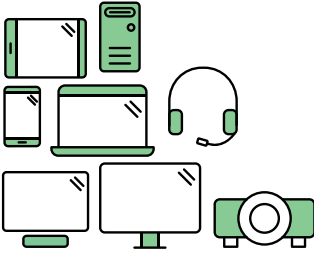
The Monitor adopts Flicker-Free technology, which clears the eye visible flicker, brings comfort viewing experience and preventing users suffer from eye strain and fatigue.

# TCO certified

A third-party certification according to ISO 14024



Toward sustainable IT products



## Say hello to a more sustainable product

IT products are associated with a wide range of sustainability risks throughout their life cycle. Human rights violations are common in the factories. Harmful substances are used both in products and their manufacture. Products can often have a short lifespan because of poor ergonomics, low quality and when they are not able to be repaired or upgraded.

**This product is a better choice.** It meets all the criteria in TCO Certified, the world's most comprehensive sustainability certification for IT products. Thank you for making a responsible product choice, that help drive progress towards a more sustainable future!

Criteria in TCO Certified have a life-cycle perspective and balance environmental and social responsibility. Conformity is verified by independent and approved verifiers that specialize in IT products, social responsibility or other sustainability issues. Verification is done both before and after the certificate is issued, covering the entire validity period. The process also includes ensuring that corrective actions are implemented in all cases of factory non-conformities. And last but not least, to make sure that the certification and independent verification is accurate, both TCO Certified and the verifiers are reviewed regularly.

### Want to know more?

Read information about TCO Certified, full criteria documents, news and updates at [tcocertified.com](https://www.tcocertified.com). On the website you'll also find our Product Finder, which presents a complete, searchable listing of certified products.

## Safety information

- Before setting up the monitor, carefully read all the documentation that came with the package.
- To prevent fire or shock hazard, never expose the monitor to rain or moisture.
- Never try to open the monitor cabinet. The dangerous high voltages inside the monitor may result in serious physical injury.
- If the power supply is broken, do not try to fix it by yourself. Contact a qualified service technician or your retailer.
- Before using the product, make sure all cables are correctly connected and the power cables are not damaged. If you detect any damage, contact your dealer immediately.
- Slots and openings on the back or top of the cabinet are provided for ventilation. Do not block these slots. Never place this product near or over a radiator or heat source unless proper ventilation is provided.
- The monitor should be operated only from the type of power source indicated on the label. If you are not sure of the type of power supply to your home, consult your dealer or local power company.
- Use the appropriate power plug which complies with your local power standard.
- Do not overload power strips and extension cords. Overloading can result in fire or electric shock.
- Avoid dust, humidity, and temperature extremes. Do not place the monitor in any area where it may become wet. Place the monitor on a stable surface.
- Unplug the unit during a lightning storm or if it will not be used for a long period of time. This will protect the monitor from damage due to power surges.
- Never push objects or spill liquid of any kind into the slots on the monitor cabinet.
- To ensure satisfactory operation, use the monitor only with UL listed computers which have appropriate configured receptacles marked between 100-240V AC.
- By means of a power cord connected to a socket-outlet with earthing connection.
- If you encounter technical problems with the monitor, contact a qualified service technician or your retailer.
- Adjustment of the volume control as well as the equalizer to other settings than the center position may increase the ear-/headphones output voltage and therefore the sound pressure level.

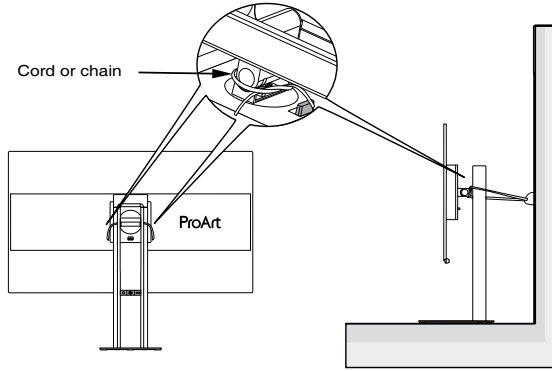


This symbol of the crossed out wheeled bin indicates that the product (electrical, electronic equipment, and mercury-containing button cell battery) should not be placed in municipal waste. Please check local regulations for disposal of electronic products.

**AEEE yönetmeliğine uygundur**

## Prevent Tipping

When using the display, fasten the OLED to a wall using a cord or chain that can support the weight of the monitor in order to prevent the monitor from falling.



- Installing must be done by a qualified technician , and please contact your supplier for more information.
- For the Models with net weight  $\geq 7$ kg. Please select the suitable way to Prevent Tipping.
- Please use the method which picture shown to tie the cord or chain to the stand and then fix it to the wall.

## Care & Cleaning

- Before you lift or reposition your monitor, it is better to disconnect the cables and power cord. Follow the correct lifting techniques when positioning the monitor. When lifting or carrying the monitor, grasp the edges of the monitor. Do not lift the display by the stand or the cord.
- Cleaning. Turn your monitor off and unplug the power cord. Clean the monitor surface with a lint-free, non-abrasive cloth. Stubborn stains may be removed with a cloth dampened with water.
- Avoid using a cleaner containing alcohol or acetone. Use a cleaner intended for use with the monitor. Never spray cleaner directly on the screen, as it may drip inside the monitor and cause an electric shock.

### The following symptoms are normal with the monitor:

- You may find slightly uneven brightness on the screen depending on the desktop pattern you use.
- When the same image is displayed for hours, an afterimage of the previous screen may remain after switching the image. The screen will recover slowly or you can turn off the Power Switch for hours.
- When the screen becomes black or flashes, or cannot work anymore, contact your dealer or service center to fix it. Do not repair the screen by yourself!

### Conventions used in this guide



**WARNING:** Information to prevent injury to yourself when trying to complete a task.



**CAUTION:** Information to prevent damage to the components when trying to complete a task.



**IMPORTANT:** Information that you **MUST** follow to complete a task.



**NOTE:** Tips and additional information to aid in completing a task.

## Where to find more information

Refer to the following sources for additional information and for product and software updates.

### 1. ASUS websites

The ASUS websites worldwide provide updated information on ASUS hardware and software products. Refer to <http://www.asus.com>

### 2. Optional documentation

Your product package may include optional documentation that may have been added by your dealer. These documents are not part of the standard package.

## Takeback Services

ASUS recycling and takeback programs come from our commitment to the highest standards for protecting our environment. We believe in providing solutions for our customers to be able to responsibly recycle our products, batteries and other components as well as the packaging materials.

Please go to <http://csr.asus.com/english/Takeback.htm> for detail recycling information in different region.

## Product information for EU energy label



PA27UCDMR



## 1.1 Welcome!

Thank you for purchasing the ASUS® OLED monitor!

The latest widescreen OLED monitor from ASUS provides a broader, brighter and crystal-clear display, plus a host of features that enhance your viewing experience.

With these features, you can enjoy the convenience and delightful visual experience that the monitor brings to you!

## 1.2 Package contents

Check your package for the following items:

- ✓ OLED monitor
- ✓ Monitor stand/base
- ✓ Quick start guide
- ✓ Warranty card
- ✓ Power cord
- ✓ DisplayPort cable
- ✓ USB C to C cable
- ✓ Thunderbolt 4 passive 40G cable
- ✓ Color calibration report



---

If any of the above items is damaged or missing, contact your retailer immediately.

---



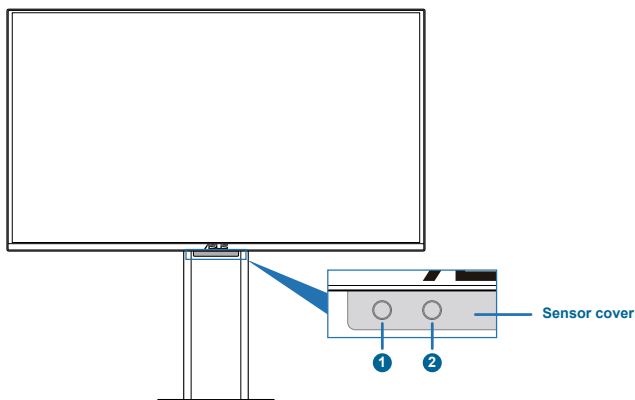
---

If you need to replace the power cord or the connection cable(s), please contact ASUS customer service.

---

## 1.3 Monitor introduction

### 1.3.1 Front view



#### 1. Proximity Sensor

- If the function is enabled and the system does not detect the presence of object within 30cm-90cm over the preset time, the system will automatically decrease brightness periodically.



- 
- Recovery time would be within 2 seconds.
  - Detectable ability and distance are different according to the object and environment.
  - Please avoid placing objects in front of the sensor (between 30cm and 90cm), as it will cause the function of the sensor to fail (misjudging that someone is ahead).
- 

#### 2. Ambient Light Sensor

- Configures the ambient effect settings.

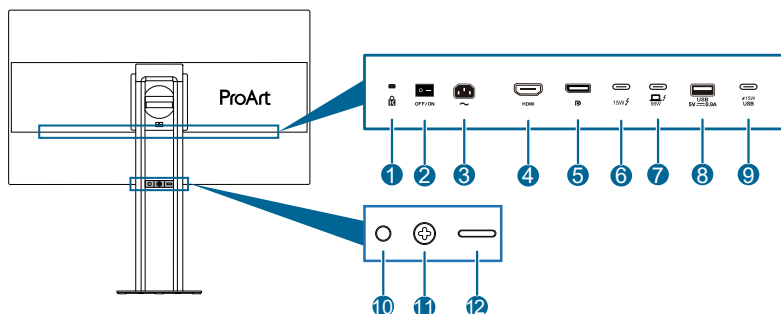


---

This function will be disabled if the HDR function is enabled and the ProArt Preset setting is set to HDR PQ\_P3, HDR PQ\_BT.2020, HDR HLG\_BT.2020, HDR HLG\_P3 or DolbyVision.



---

## 1.3.2 Back view



1. **Kensington lock:** This port connects a lock-and-cable apparatus for security purpose.
2. **Power switch:** Press the switch to turn on/off power.
3. **AC-IN port:** This port connects the power cord.
4. **HDMI port:** This port is for connection with an HDMI compatible device.
5. **DisplayPort in:** This port is for connection with a DisplayPort compatible device.
6. **Thunderbolt out:** This port is for daisy chaining connection with a Thunderbolt compatible device or downstream connection with a USB Type-C device.
7. **Thunderbolt in:** This port is for connection with a Thunderbolt compatible device. The connection supports Thunderbolt mode, DP alt mode, USB power and data delivery (Maximum resolution: 3840 x 2160@ 240Hz). After identifying input source, Thunderbolt out will support Thunderbolt daisy chaining.



The port with  icon offer 96W power delivery with output voltage/current of 5V/3A, 9V/3A, 15V/3A, 20V/4.8A (15 ~ 96W). The port with  icon offer 15W power delivery with output voltage of 5V/3A.

8. **USB3.2 Gen 2 Type-A (SuperSpeed USB 10Gbps):** This port is for connection with USB devices, such as USB keyboard/mouse, USB flash drive, etc.
9. **USB3.2 Gen 2 Type-C (SuperSpeed USB 10Gbps):** This port is for downstream connection with USB devices, such as USB keyboard/mouse, USB flash drive, etc.

## 10. Power button/power indicator:

- Turns the monitor on/off.
- The color definition of the power indicator is as the below table.

Status	Description
White	On
Amber	Standby mode
Off	Off


## 11. Menu/Exit (5-way) button:

- Press this button to display the OSD menu when the OSD is off.
- Increases/Decreases values or moves your selection up/down/left/right.
- Push the 5-way button down for over 5 seconds to toggle the Key Lock function between on and off.
- Enacts the selected OSD menu items.

## 12. Exit OSD tree button:

- Press this button to display the OSD menu when the OSD is off. Press this button again to enter the OSD main menu.
- Exits the OSD menu.

### 1.3.3 QuickFit Plus Function

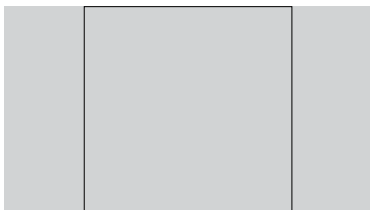
The QuickFit Plus function contains 4 types of patterns: (1) Safe Area (2) Center Marker (3) Customization (4) Ruler. To activate the patterns, press the  QuickFit Plus button. Use the Menu (5-way) button to select a desired pattern. You can move the button up/down/left/right to change the pattern's position if needed.

Note that only **Customization** pattern can be adjusted its frame size according to your need, but may have limited range for moving left/right/up/down.

#### 1. Safe Area

Facilitates designers and users to organize content and layout on one page and achieve a consistent look and feel.

The selections are:



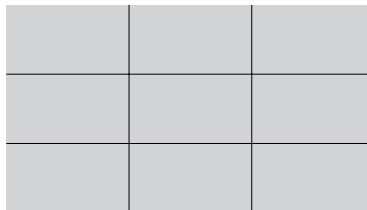
1:1



Action Safe



Title Safe

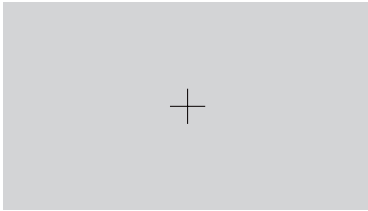


3 X 3

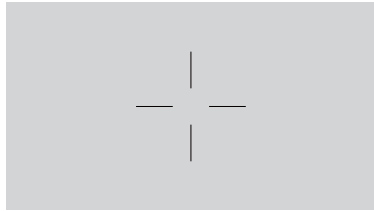
## 2. Center Marker

Selects the center marker type.

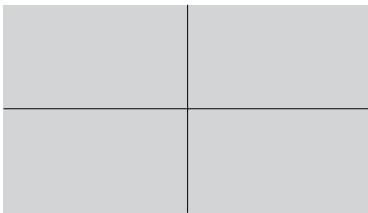
The selections are:



Type 1



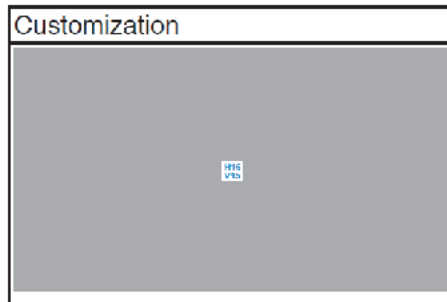
Type 2



Type 3

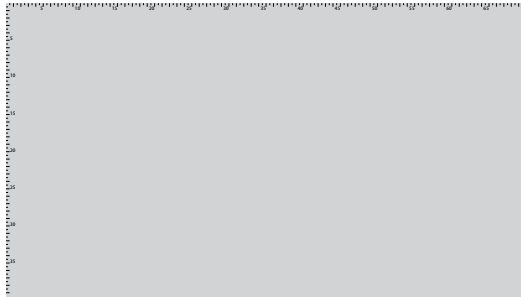
## 3. Customization

You can decide the frame size by moving the Menu (5-way) button up/down/left/right. You can press the Menu (5-way) button for longer than 3 seconds to switch the measurements between millimeter and inch.



#### 4. Ruler

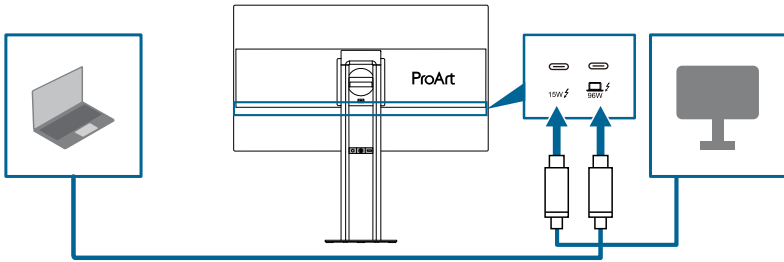
This pattern presents physical ruler on top and left side. You can press the Menu (5-way) button for longer than 3 seconds to switch the measurements between metric and imperial.



### 1.3.4 Other Function(s)

#### 1. Daisy chaining

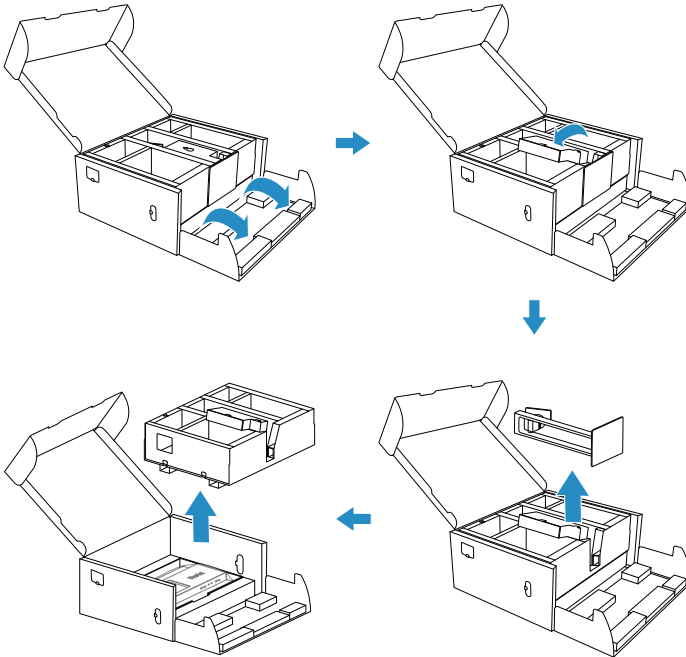
The monitor supports daisy chain on Thunderbolt. Daisy Chaining allows up to multiple monitors to be connected in series with the video signal being passed from the source to a monitor. In order to enable daisy chaining, please make sure the source transported.



## 2.1 Assembling the monitor arm/base

To assemble the monitor base:

1. After opening the box, remove the paper cushions and stand in turn from the top of the package. (Figure 1)



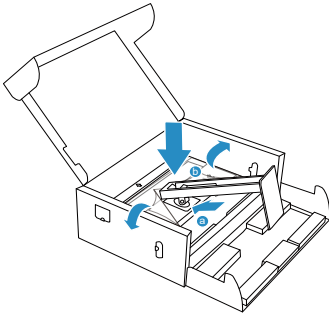
(Figure 1)

2. Lift the cover to expose the VESA area to attach the stand into the back of the monitor. Making sure the tab on the arm fits into the groove on the back of the monitor. (Figure 2 in next page)
3. Hold the stand riser firmly with both hands and lift the monitor carefully, then place the monitor upright. (Figure 3 in next page)

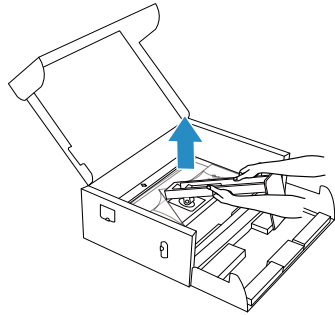


Do not press on the screen when lifting the monitor. Lift the monitor carefully to prevent it from slipping or falling.

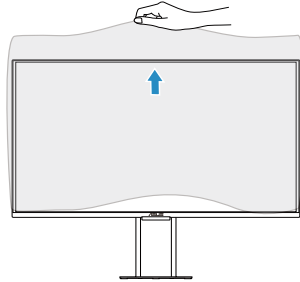
4. Remove the cover from the monitor. (Figure 4 in next page)
5. Remove the protect film from the monitor. (Figure 5 in next page)



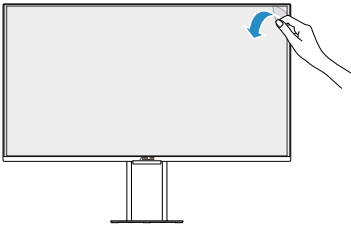
(Figure 2)



(Figure 3)



(Figure 4)

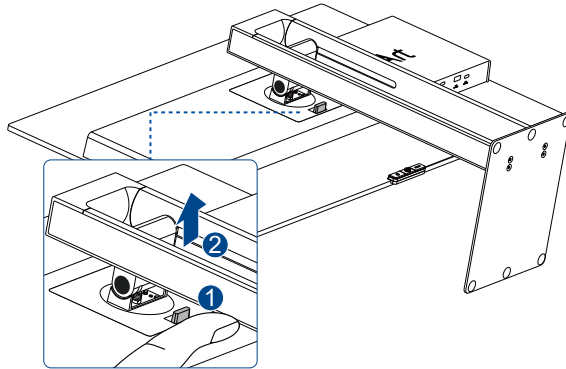


(Figure 5)

## 2.2 Detaching the arm/base (for VESA wall mount)

To detach the arm/base:

1. Have the front of the monitor face down on a table.
2. Press the release button, and then detach the arm/base from the monitor.



---

We recommend that you cover the table surface with soft cloth to prevent damage to the monitor.

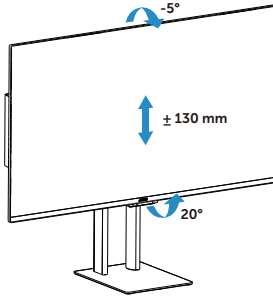
---



- The VESA wall mount kit (100 x 100 mm) is purchased separately.
  - Use only with UL/CSA/GS Listed Wall Mount Bracket with minimum weight/load bearing capacity of 13.2 kg (29.11 lb) (Screw size: M4 x 8mm).
-

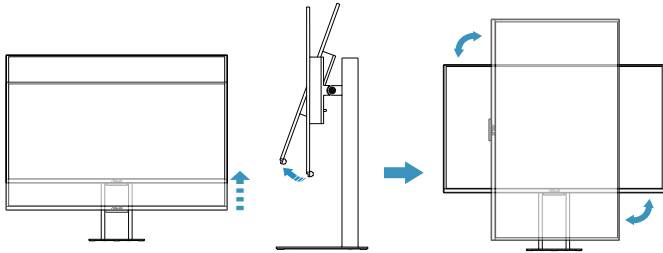
## 2.3 Adjusting the monitor

- For optimal viewing, we recommend that you look at the full face of the monitor, then adjust the monitor to the angle that is most comfortable for you.
- Hold the stand to prevent the monitor from falling when you change its angle.
- You can adjust the monitor's angle from +20° to -5°, and it allows +/- 90° pivot adjustment. You can also adjust the monitor's height within +/- 130 mm.



To pivot the monitor, you need to do the following:

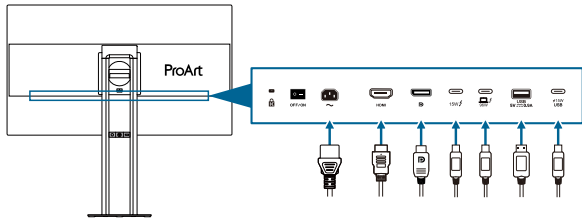
- Lift the monitor to the highest position.
- Tilt the monitor to the maximum angle.
- Pivot the monitor to the angle you need.



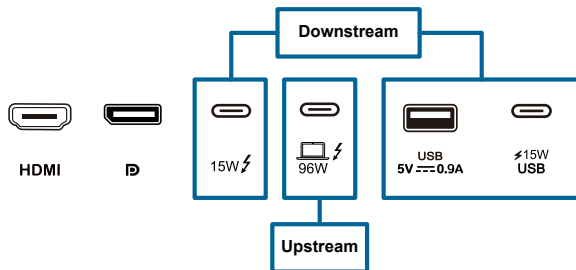
It is normal that the monitor slightly shakes while you adjust the viewing angle.

## 2.4 Connecting the cables

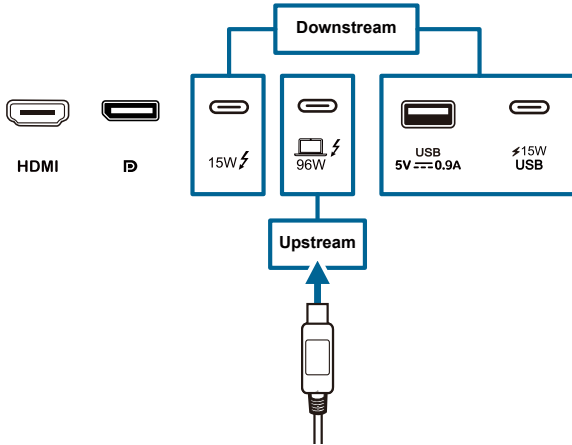
Connect the cables as the following instructions:



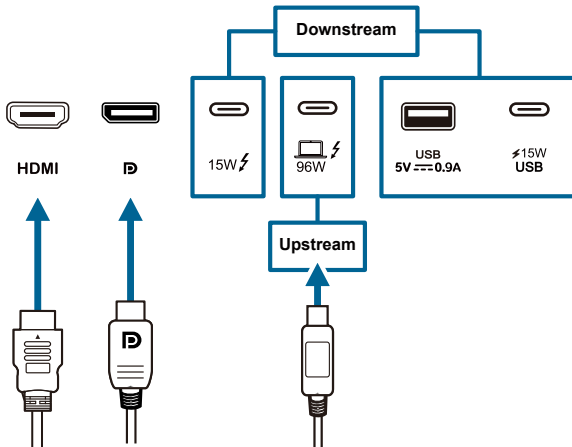
- **To connect the power cord:** Connect one end of the power cord securely to the monitor's AC input port, the other end to a power outlet.
- **To connect the HDMI 2.1/Thunderbolt 4/DisplayPort/USB Type-A/USB Type-C cable:**
  - a. Plug one end of the HDMI 2.1/Thunderbolt 4/DisplayPort/USB Type-A/USB Type-C cable to the monitor's HDMI 2.1/Thunderbolt 4/DisplayPort/USB Type-A/USB Type-C jack.
  - b. Connect the other end of the HDMI 2.1/Thunderbolt 4/DisplayPort/USB Type-A/USB Type-C cable to your device's HDMI 2.1/Thunderbolt 4/DisplayPort/USB Type-A/USB Type-C jack.
- **To use HDMI/DisplayPort and Thunderbolt 4/USB Type-C input for USB signals:**
  - » Upstream: Use an USB Type-C cable and plug one end of the Type-C connector to the monitor's USB Type-C port as upstream and the other end to your computer's USB Type-C jack. Or use an USB Type-C to Type-A cable and plug the Type-C connector to the the monitor's USB Type-C as upstream and the Type-A connector to your computer's USB Type-A jack. Make sure your computer is installed with the Windows, macOS operating system. That will enable the USB ports on the monitor to work.
  - » Downstream: Use an USB cable to connect your device with the monitor's USB Type-A or USB Type-C jack.



- » There are two scenarios of connection:
1. Uses one Thunderbolt 4/USB Type-C cable for video and USB data input: Thunderbolt 4/USB-C input is upstream, and Thunderbolt 4/USB-C output/USB Type-C/USB Type-A are downstream.



2. Uses HDMI/DisplayPort for video input, and Thunderbolt 4/USB type-C port for USB data input: Thunderbolt 4/USB-C input is upstream, and Thunderbolt 4/USB-C output/USB Type-C/USB Type-A are downstream.



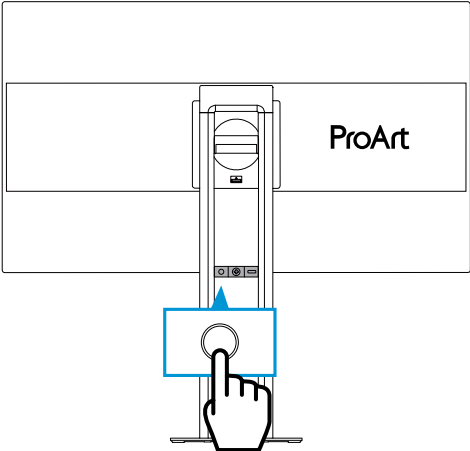
When these cables are connected, you can choose the desired signal from the **Input** item in the OSD menu.



If you need to replace the power cord or the connection cable(s), please contact ASUS customer service.

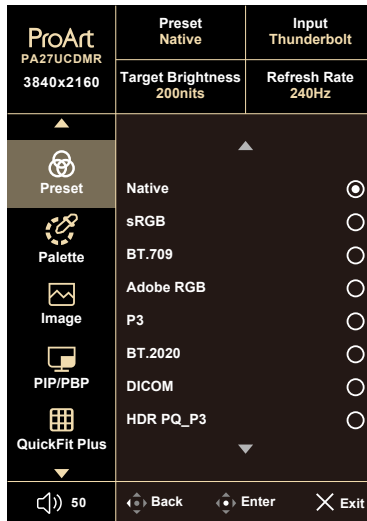
## 2.5 Turning on the monitor

Press the power button. See page 1-4 for the location of the power button. The power indicator lights up in white to show that the monitor is ON.



## 3.1 OSD (On-Screen Display) menu

### 3.1.1 How to reconfigure



1. Press any button to display the OSD menu.

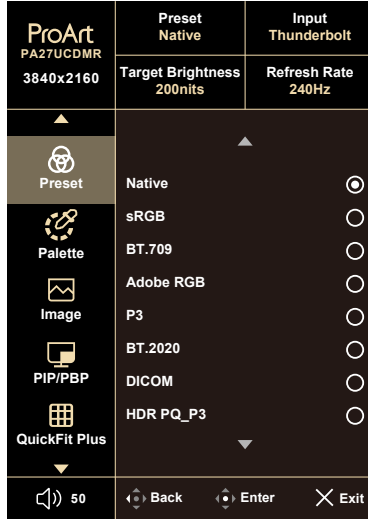


2. Press the Menu (5-way) button to enter the OSD main menu.
3. Move the Menu (5-way) button up/down/left/right to navigate through the functions. Highlight the desired function and press the Menu (5-way) button to activate it. If the function selected has a sub-menu, move the Menu (5-way) button up/down to navigate through the sub-menu functions. Highlight the desired sub-menu function and press the Menu (5-way) button or move the Menu (5-way) button to activate it.
4. Move the Menu (5-way) button up/down to change the settings of the selected function.
5. To exit and save the OSD menu, press the **X** button or move the Menu (5-way) left repeatedly until the OSD menu disappears. To adjust other functions, repeat steps 1-4.

### 3.1.2 OSD function introduction

#### 1. Preset

Preset mode was calibrated in factory side to ensure the configuration of each mode could meet industry standard.



- **Native:** Best choice for document editing.




---

Energy star® certification achieved in Native Mode.

---

- **sRGB:** To calibrate display by following with sRGB color primary, D65 color temperature, Gamma 2.2 , best choice for document editing.
- **BT.709:** To colibrate display by following with BT.709 color primary, D65 color temperature, Gamma 2.4.
- **Adobe RGB:** To colibrate display by following with Adobe RGB color primary, D65 color temperature, Gamma 2.2.
- **P3:** To colibrate display by following with DCI-P3 color primary, D65 color temperature, Gamma 2.6.
- **BT.2020:** To colibrate display by following with BT.2020 color primary, D65 color temperature, Gamma 2.2.
- **DICOM:** Compatible with DICOM standard, best choice for medical image checking.
- **HDR PQ\_P3:** High Dynamic Range compatible with P3 color primary.

- **HDR PQ\_BT.2020:** High Dynamic Range compatible with BT.2020 color primary.
- **HDR HLG\_BT.2020:** HDR Hybrid log-gamma compatible with BT.2020 color primary.
- **HDR HLG\_P3:** HDR Hybrid log-gamma compatible with P3 color primary.
- **DolbyVision:** Selects the DolbyVision lighting type.
  - \* **Dark:** Compliant with DolbyVision Dark mode settings.
  - \* **Bright:** Compliant with DolbyVision Bright mode settings.Dolby, Dolby Vision, and the double-D symbol are registered trademarks of Dolby Laboratories Licensing Corporation. Manufactured under license from Dolby Laboratories Licensing Corporation. Confidential unpublished works. Copyright © 2013–2024 Dolby Laboratories. All rights reserved.
- **CAL 1/CAL 2/CAL 3:** Allows you to customize preference via color calibration.



---

For the usage of color calibration app, ASUS ProArt Calibration Software, Portrait Calman and Light Illusion ColourSpace CMS all can support.

---

sRGB	A standard RGB color space created for use on monitors, printers and the Internet	e-Publisher Web Design Graphic Design
BT.709	A color space standard of high-definition television(HDTV)	HD Video Producer
Adobe RGB	Designed to encompass most of the colors achievable on CMYK color printers	Photography Printing House Graphic Design for Printing
P3	A standard of content requirements, studios,digital cinema manufacturers can be assured of interoperability and compatibility	Digital Cinema Industry
BT.2020	A color space standard of Ultra high-definition television(UHDTV)	4K UHD Content Producer
DICOM	Compliant with DICOM standard, best choice for medicalimage checking	See every grayscale level to ensure accurate and precise pictures
HDR PQ_P3	Multiple HDR-10 curves with DCI-P3 color gamut and D65 white Point.(PQ Clip, PQ Optimized, PQ Basic)	HDR-10 content producer for games and videos
HDR PQ_BT.2020	Multiple HDR-10 curves with BT.2020 color gamut and D65 white Point.(PQ Clip, PQ Optimized, PQ Basic)	HDR-10 content producer for games and videos
HDR HLG_BT.2020	Compliant with BT.2020	TV station for Broadcast and satellite TV
HDR HLG_P3	Compliant with DCI-P3	TV station for Broadcast and satellite TV
Dolby Vision	Compliant with Dolby Vision standard and delivers dynamic metadata by frames, providing Bright / Dark mode for your needs	Movie and entertainment, it needs Dolby Vision format

Below table shows the default configurations for each Preset mode:

Function	Native	sRGB	BT.709	Adobe RGB	P3	BT.2020	DICOM
Color Temp.	6500K	Fixed (6500K)	6500K	Fixed (6500K)	6500K	6500K	7500K
Target Brightness*	210nits	80nits	100nits	160nits	48nits	100nits	200nits
Contrast	80	80	80	80	80	80	80
Sharpness	Enable	Enable	Enable	Enable	Enable	Enable	Enable
Saturation	Enable	Disable	Enable	Enable	Enable	Enable	Enable
Hue	Enable	Disable	Enable	Enable	Enable	Enable	Enable
Palette	Enable	Fixed	Enable	Enable	Enable	Enable	Enable
Black Level	Enable	Enable	Enable	Enable	Enable	Enable	Enable
Input Range	Enable	Enable	Enable	Enable	Enable	Enable	Enable
EOTF (Gamma)	2.2	2.2	2.4	Fixed (2.2)	2.2/2.6 only	2.2	Fixed
Ambient Brightness	Enable	Fixed (Off)	Enable	Enable	Enable	Enable	Enable
Ambient Color Temperature	Enable	Fixed (Off)	Enable	Fixed	Enable	Enable	Enable
Uniform Brightness	Enable (default: On)	Enable (default: On)	Enable (default: On)	Enable (default: On)	Enable (default: On)	Enable (default: On)	Fixed (On)

Function	HDR PQ_P3	HDR PQ _ BT.2020	HDR HLG_ BT.2020	HDR HLG_P3	DolbyVision	CAL1/ CAL 2/ CAL 3
Color Temp.	Fixed (6500K)	Fixed (6500K)	Fixed (6500K)	Fixed (6500K)	Fixed (6500K)	Fixed (6500K)
Target Brightness*	250nits/ 400nits/ Max	250nits/ 400nits/Max	250nits/ 400nits/Max	250nits/ 400nits/Max	250nits/ 400nits/Max	210nits
Contrast	Fixed	Fixed	Fixed	Fixed	Fixed	80
Sharpness	Enable	Enable	Enable	Enable	Fixed (Off)	Enable
Saturation	Fixed	Fixed	Fixed	Fixed	Fixed	Enable
Hue	Fixed	Fixed	Fixed	Fixed	Fixed	Enable
Palette	Enable (RGB Gain only)	Enable (RGB Gain only)	Enable (RGB Gain only)	Enable (RGB Gain only)	Disable	Enable (RGB Gain only)
Black Level	Enable	Enable	Enable	Enable	Enable	Enable
Input Range	Enable	Enable	Enable	Enable	Enable	Enable
EOTF (Gamma)	PQ Optimized, PQ Clip, PQ Basic	PQ Optimized, PQ Clip, PQ Basic	Fixed	Fixed	Fixed	Fixed (2.2)
Ambient Brightness	Fixed (Off)	Fixed (Off)	Fixed (Off)	Fixed (Off)	Fixed (Off)	Enable
Ambient Color Temperature	Fixed (Off)	Fixed (Off)	Fixed (Off)	Fixed (Off)	Fixed (Off)	Enable
Uniform Brightness	Enable (default: Off)	Enable (default: Off)	Enable (default: Off)	Enable (default: Off)	Enable (default: Off)	Fixed (default: Off)

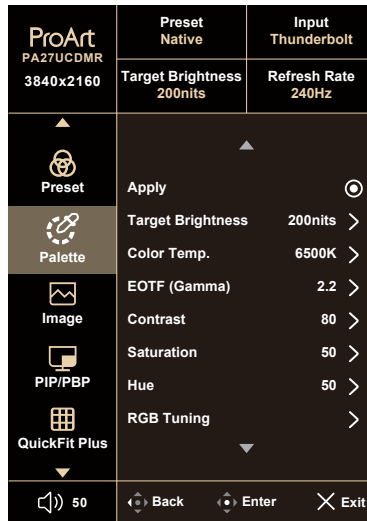
\* Target Brightness allows users to more intuitively understand the current screen brightness when using Preset Mode (Default Setting).

Adjustments made in ProArt Palette, such as Color Temperature, EOTF (Gamma), Contrast, Saturation, Hue, RGB Tuning, or Black Level, will all affect the brightness value.

To obtain accurate brightness information, please return Preset Mode to the Default Setting (ProArt Palette → Reset).

## 2. Palette

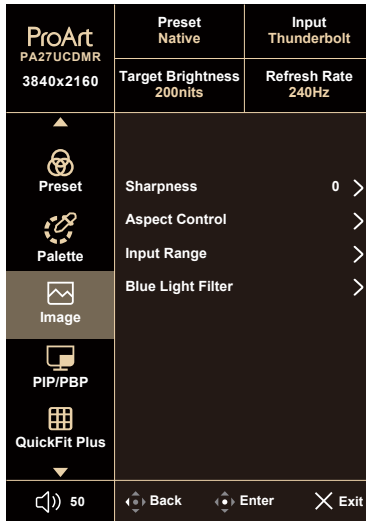
Set a desired color setting from this menu.



- **Apply:** To apply the preset mode only when user confirm or adjust settings in Palette page.
- **Target Brightness:** The adjusting range is from 10 nits to MAX.
- **Color Temp.:** Contains 5 modes — 9300K, 6500K, DCI (0.314, 0.351), 5500K, and 5000K — and additionally provides DICOM presets at 9300K, 7500K, and 6500K.
- **EOTF (Gamma):** Allows you to set the color mode to 1.8, 2.0, 2.2, 2.4, 2.6, PQ Optimized, PQ Clip or PQ Basic.
  - \* **PQ Optimized:** Delivers the optimized HDR performance of this display with as much accuracy as with ST2084 in terms of display luminance capability.
  - \* **PQ Clip:** Preserves PQ curve till displaying maximum luminance with accuracy. ST2084 code value with higher than display maximum will be mapped to the maximum luminance.
  - \* **PQ Basic:** Presents HDR performance of general HDR supported displays.
- **Contrast:** The adjusting range is from 0 to 100.
- **Saturation:** The adjusting range is from 0 to 100.
- **Hue:** Shifts the image color between green and purple.
- **RGB Tuning:**
  - \* **Gain:** The adjusting range is from 0 to 400.
  - \* **Offset:** The adjusting range is from 0 to 400.
- **Black Level:** To adjust the initialized 1st signal level of darkest gray level.
- **Reset:** Reset current color setting to default configuration.

### 3. Image

Set the image related setting from this menu.



- **Sharpness:** The adjusting range is from 0 to 100.
- **Aspect Control:** Adjusts the aspect ratio to **Full**, **Dot to Dot** or **1:1 Ratio**.



---

To activate this function, you need to do the following: turn off **Rapid Rendering** and **PIP/PBP**.

---

- **Input Range:** To map signal range with whole black to white presented range of display.
- **Blue Light Filter:** Adjust the strength of blue light filter.



---

To activate this function, you need to do the following: disable HDR on your device and make sure in Native Mode.

---



---

Please refer to the following to alleviate eye strains:

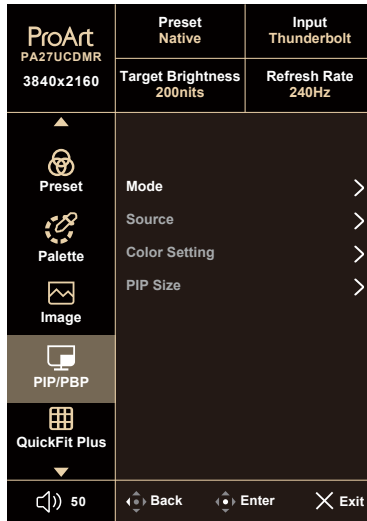
- Users should take some time away from the display if working for long hours. It is advised to take short breaks (at least 5 mins) after around 1 hour of continuous working at the computer. Taking short and frequent breaks is more effective than a single longer break.
  - To minimize eye strain and dryness in your eyes, users should rest the eye periodically by focusing on objects that are far away.
  - Eye exercises can help to reduce eye strain. Repeat these exercises often. If eye strain continues please consult a physician. Eye exercises:  
(1) Repeating look up and down (2) Slowly roll your eyes (3) Move your eyes diagonal.
  - High energy blue light may lead to eye strain and AMD (Age-Related Macular Degeneration). Blue light Filter to reduce 70% (max.) harmful blue light to avoiding CVS (Computer Vision Syndrome).
-

#### 4. PIP/PBP

The PIP/PBP menu allows you to open up another sub-window connected from another video source besides the main-window from your original video source.



To activate this function, you need to do the following: turn off **Rapid Rendering** and disable HDR on your device.



- **Mode:** Selects PIP, PBP, PBP x 3 function, or turn it off.



To scale both displays to full screen in PBP mode, set resolution settings for both as 1920 x 2160 in OS display settings. (And make sure that the scaling option is "Maintain Display Scaling" if you are using an Intel graphic card.)

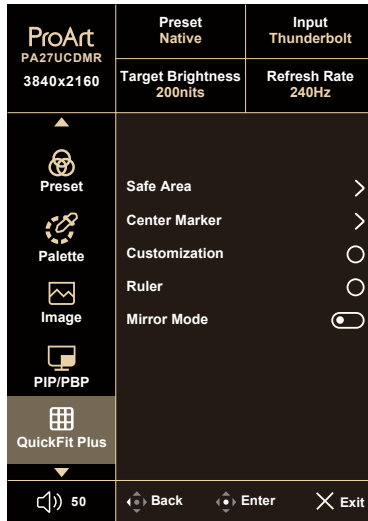
- **Source:** Selects the video input source from among **HDMI**, **DisplayPort** and **Thunderbolt**.
- **Color setting:** Select color Preset for Main and Sub windows.
- **PIP Size:** Adjusts the PIP size to **Small**, **Medium** or **Large** (Only available for the PIP mode).

## 5. QuickFit Plus

In this function, you can use different kinds of alignment patterns.



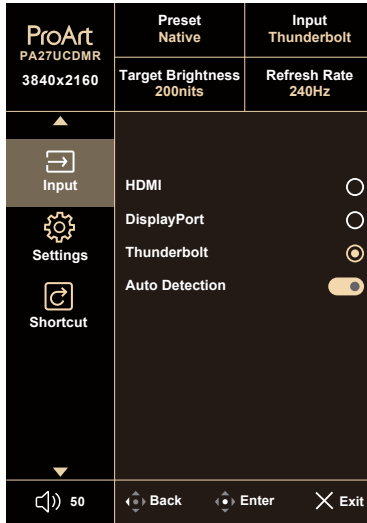
To activate this function, you need to do the following: turn off PIP/PBP on your device and restore your screen back to normal position (do not rotate).



- **Safe Area:** Facilitates designers and users to organize content and layout on one page and achieve a consistent look and feel. The selections are: **1:1, Action Safe, Title Safe, 3 x 3.**
- **Center Marker:** Adjusts the **Type 1, Type 2, Type 3.**
- **Customization:** You can decide the frame size by moving the Menu (5-way) button up/down/left/right. You can press the Menu (5-way) button for longer than 3 seconds to switch the measurements between millimeter and inch.
- **Ruler:** This pattern presents physical ruler on top and left side. You can press the Menu (5-way) button for longer than 3 seconds to switch the measurements between metric and imperial.
- **Mirror Mode:** Flip the image horizontally.

## 6. Input

In this function, you can select your desired input source.



- **Auto Detection:** Automatically detects other active signals when current input signal is inactive.



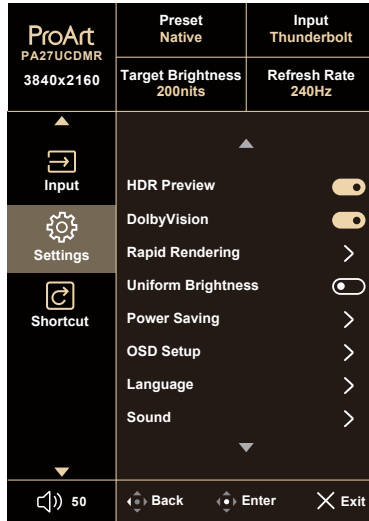
---

To activate this function, you need to do the following: Set Settings/ Power Saving to Normal Level.

---

## 7. Settings

Allows you to adjust the system.



- **HDR Preview:** Allows you to review the content which is under editing without HDR frag to present with correct HDR format. Also supports the streaming content from camera directly to present with correct HDR mapping.



---

While HDR Preview function is on, only HDR PQ\_P3, HDR PQ\_BT.2020, HDR HLG\_BT.2020 and HDR HLG\_P3 options can be chosen.

---

- **DolbyVision:** Enables or disables the DolbyVision function.
- **Rapid Rendering:**
  - \* **Upto 120Hz:** 48~120Hz.
  - \* **Upto 240Hz:** 48~96Hz double frame rate/ 96~240Hz pass through.
  - \* **FreeSync Premium Pro:** Can only be activated within 48Hz~120Hz.
  - \* **Native:** 48~240Hz.
  - \* **Off:** VRR & FreeSync Off.



---

To activate this function, you need to do the following: turn off **PIP/PBP**, set **Aspect Control to Full**.

---

- **Uniform Brightness:** OLED display will adjust Max brightness by following with different white pattern size, to enable Uniform Brightness to fix display brightness without impact by OLED APL effect.



---

The default Uniform Brightness setting is On for SDR signals and Off for HDR signals, and it can be adjusted at any time.

---

- **Power Saving:** Specifies the power saving setting.
  - \* **Normal Level:** Allows the USB downstream ports/USB Type-C ports/DisplayPorts to charge external devices when the monitor enters power saving mode.
  - \* **Deep Level:** When connected to a computer, the upstream port enables USB downstream ports to charge devices. Auto Detection will be disabled when the monitor enters power-saving mode.
- **OSD Setup:**
  - \* Adjusts the **OSD Timeout** from 10 to 120 seconds.
  - \* Enables or disables the **DDC/CI** function.
  - \* Adjusts the OSD background from **opaque** to **Transparent**.
  - \* Enables or disables the OSD **Auto Rotation** function.



---

To activate OSD Auto Rotation, you need to do the following: turn off PIP/PBP.

---

- **Language:** There are 23 languages for your selection, including English, French, German, Italian, Spanish, Dutch, Portuguese, Russian, Czech, Croatian, Polish, Romanian, Hungarian, Turkish, Simplified Chinese, Traditional Chinese, Japanese, Korean, Thai, Indonesian, Persian, Ukrainian, Vietnamese.
- **Sound:**
  - \* Adjusts **Volume** from 0 to 100.
  - \* **Mute** or un-Mute the audio output.
  - \* Select audio input from PIP/PBP **Sources**.



---

To activate Source function, you need to do the following: turn on PIP/PBP.

---

- **DisplayPort Stream:** Compatibility with graphic card. Select **DisplayPort 1.2**, **DisplayPort 1.4** or **DisplayPort 1.4 + USB 3.2** by graphic card DP version.

- **Lock:**
  - \* **Key:** To disable all function keys. Push the 5-way button down for over 5 seconds to cancel the key lock function.
  - \* **Preset Setting:** To lock all parameters and disable (gray out) ProArt Palette.
- **Power Indicator:** Turns the power LED indicator on/off.
- **Light Sync:** Adjusts luminance and color temperature according to ambient condition.
  - \* **Brightness:** Adjust luminance dynamically according to ambient lighting.
  - \* **Color Temperature:** Adjust color temperature dynamically according to ambient lighting.
- **Screen Saver:** Configures the screen saver related set up. You can improve the image quality issues related to image retention when the screen is on for a certain amount of time.
  - \* **Proximity Sensor:** If the function is enabled and the system does not detect the presence of object within 30cm-90cm over the preset time, the system will automatically decrease brightness periodically.



- 
- Recovery time would be within 2 seconds.
  - Detectable ability and distance are different according to the object and environment.
  - Please avoid placing objects in front of the sensor (between 30cm and 90cm), as it will cause the function of the sensor to fail (misjudging that someone is ahead).

- 
- \* **Panel Protection:** This function integrates several mechanisms from panel's intelligent patents to ensure the life. The intelligent patents are **Sensing Protection, Pixel Shift, Screen Saver, ISP** and **Off Sensing**. You can adjust slide bar to configure different levels, and some normal behaviors list as below will occur.
    1. The screen brightness will automatically decrease when there is no change on the screen.
    2. When the accumulated time is reached, Off Sensing will activate during Standby mode or when the monitor is powered off (DC Off). It helps correct any image issues that may occur after the monitor has been used for an extended period. The process takes approximately 6 minutes.




---

The setting of cumulative time for Off Sensing:

**Off:** 24 hours.

**Level 1:** 12 hours.

**Level 2:** 6 hours.

---

- \* **Image Protection:** This function integrates several mechanisms from panel's intelligent patents to ensure the life. It can prevent panel from the potential picture quality issues when images contains **Multi-Logo**, **Edge Lum Average** and **Task Bar**. You can adjust slide bar to configure different levels.

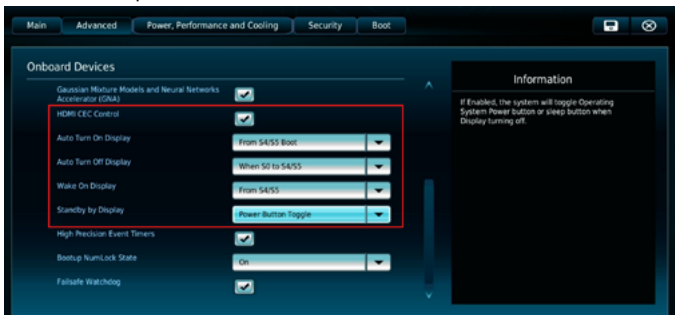
- **ASUS Power Sync:** Enables or disables the ASUS Power Sync function. To activate this function, you can use the remote control to connect the device to the monitor via an HDMI port.



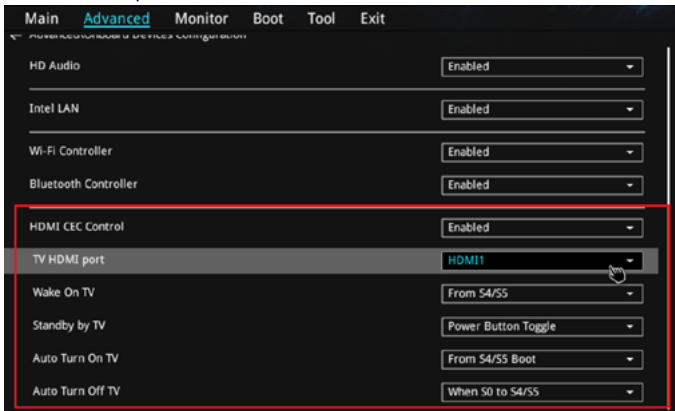
Please take a look at the ASUS website to check which devices are compatible with this function.

To enable monitor to turn on and off the hardware or vise versa, please set up your computer BIOS by the following.

- BIOS set up instruction for ASUS NUC:

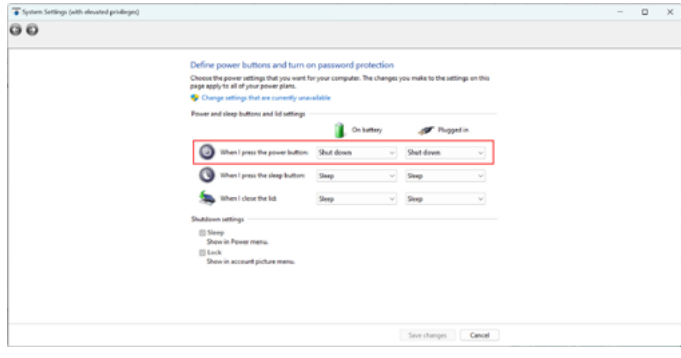


- BIOS set up instruction for ASUS Mini PC:





Please setup the power options as under in Windows OS to enable power sync.



- **Information:** Shows the monitor information.
- **All Reset:** “Yes” allows you to restore the default settings.
- **ProArt Support:** If you have any questions, please reach out to ASUS via this QR code.

## 8. Shortcut

Defines the functions for Shortcut 1 and 2 buttons.

ProArt PA27UCDMR 3840x2160	Preset Native	Input Thunderbolt
		Target Brightness 200nits
▲		
Input	Shortcut 1	>
Settings	Shortcut 2	>
Shortcut		
▼		
🔊 50	⏪ Back	⏩ Enter
		✖ Exit

- **Shortcut 1/Shortcut 2:** Selects a function for Shortcut 1 and 2 buttons.



When a certain function is selected or activated, your shortcut key may not support. Available function choices for shortcut: Blue Light Filter, Target Brightness, P3, BT.709, EOTF (Gamma), Color Temperature, PIP/PBP, CAL 1, CAL 2, CAL 3.

## 3.2 Specifications summary

<b>Panel Type</b>	OLED
<b>Panel size</b>	26.5" (16:9) wide screen
<b>Max. Resolution</b>	3840 x 2160
<b>Pixel pitch</b>	0.153 mm x 0.153 mm
<b>Brightness</b>	SDR 250 nits (Typ.), HDR 1000 nits (APL 3%)
<b>Contrast Ratio (Typ.)</b>	1,500,000:1
<b>Viewing angle (H/V) CR&gt;10</b>	178°/178°
<b>Display colors</b>	1.07B
<b>Response time</b>	0.1 ms
<b>ProArt Preset selection</b>	15 color preset modes
<b>Color temperature selection</b>	5 color temperatures
<b>Analog input</b>	No
<b>Digital input</b>	HDMI 2.1, Thunderbolt 4, DisplayPort
<b>Digital Output</b>	Thunderbolt 4
<b>Earphone jack</b>	No
<b>Audio input</b>	No
<b>Speaker (Built-in)</b>	3 W x 2
<b>USB 3.2 port</b>	USB 3.2 Gen 2 Type-C x 1 USB 3.2 Gen 2 Type-A x 1
<b>Colors</b>	Silver
<b>Power LED</b>	White (On)/Amber (Standby)
<b>Tilt</b>	+20° ~ -5°
<b>Pivot</b>	+90° ~ -90°
<b>Height Adjustment</b>	130 mm
<b>Kensington lock</b>	Yes
<b>AC input voltage</b>	AC: 100~240V
<b>Power consumption</b>	Power On: 25.3 W** (Typ.), Power Standby: 0.5 W, DC Power Off: 0.3 W, AC Power Off: 0 W
<b>Temperature (Operating)</b>	0°C~40°C
<b>Temperature (Non-operating)</b>	-20°C~+60°C
<b>Dimension (W x H x D) without stand</b>	608.9 mm x 354.0 mm x 47.4 mm
<b>Dimension (W x H x D) with stand</b>	608.9 mm x 571.8 mm x 228 mm (highest) 608.9 mm x 441.8 mm x 228 mm (lowest) 690 mm x 550 mm x 275 mm (package)
<b>Weight (Esti.)</b>	7.2 kg (Net); 4.78 kg (Net, without stand); 13.8 kg (Gross)

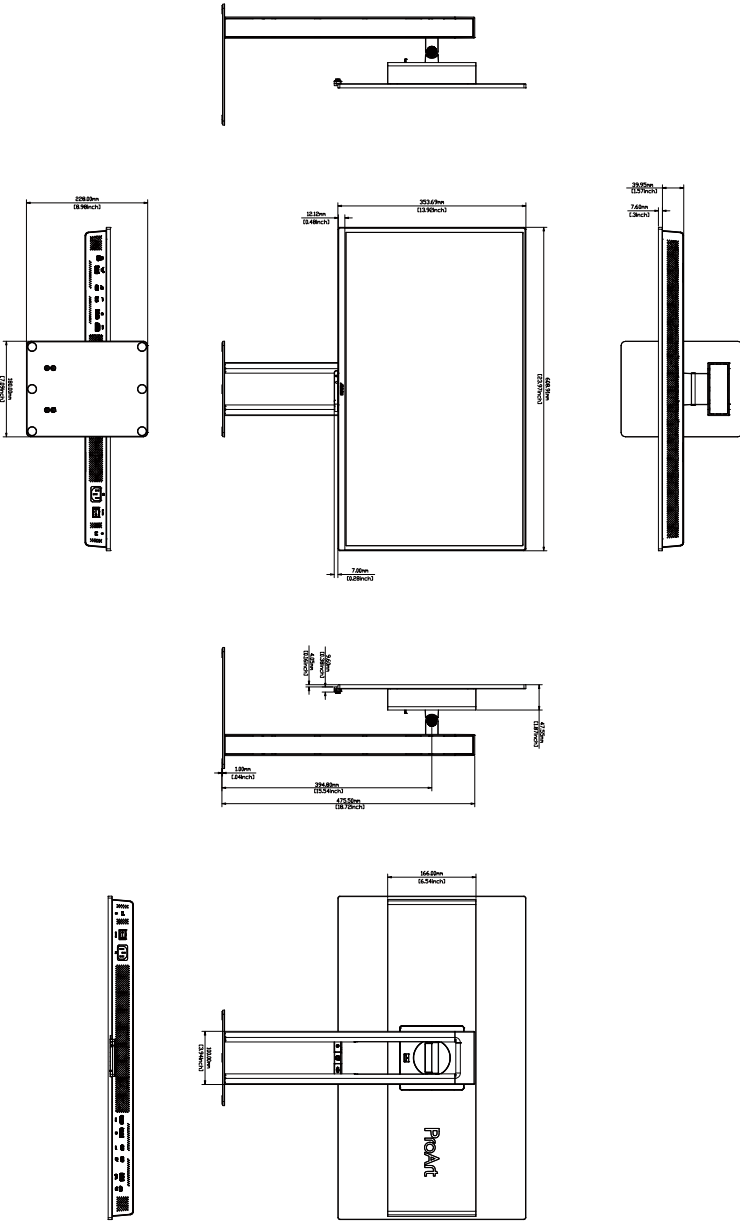
<b>Multi-languages</b>	23 languages (English, French, German, Italian, Spanish, Dutch, Portuguese, Russian, Czech, Croatian, Polish, Romanian, Hungarian, Turkish, Simplified Chinese, Traditional Chinese, Japanese, Korean, Thai, Indonesian, Persian, Ukrainian, Vietnamese)
<b>Accessories</b>	Quick start guide, warranty card, power cord, DisplayPort cable, USB C to C cable, Thunderbolt 4 passive 40G cable, color calibration report
<b>Compliance and Standards</b>	cTÜVus, FCC, ICES-3, EPEAT Gold, CB, CE, ErP, WEEE, EU Energy, ISO 9241-307, UkrSEPRO, CU, CCC, CEL, BSMI, RCM, VCCI, PSE, PC Recycle, J-MOSS, KC, KCC, KMEPS, ANZ MEPS, PSB, Vietnam Energy, Ukraine Energy, Energy Star®, RoHs, CEC, Windows 10/11 WHQL, TÜV Flicker Free, TÜV Low Blue Light, VESA DisplayHDR True Black 400, TCO, AMD FreeSync Premium Pro

**\*Specifications are subject to change without notice.**


**\*\*Power consumption of On Mode as defined in Energy Star 8.0 version.**

# 3.3 Outline dimensions

ASUS PA27UCDMR Outline Dimension  
 \*Unit: mm(inch)



## 3.4 Troubleshooting (FAQ)

Problem	Possible Solution
Power LED is not ON	<ul style="list-style-type: none"><li>• Press the  button to check if the monitor is in the ON mode.</li><li>• Check if the power cord is properly connected to the monitor and the power outlet.</li><li>• Check if the power switch is ON.</li></ul>
The power LED lights amber and there is no screen image	<ul style="list-style-type: none"><li>• Check if the monitor and the computer are in the ON mode.</li><li>• Make sure the signal cable is properly connected the monitor and the computer.</li><li>• Inspect the signal cable and make sure none of the pins are bent.</li><li>• Connect the computer with another available monitor to check if the computer is properly working.</li></ul>
Screen image is too light or dark	<ul style="list-style-type: none"><li>• Adjust the Contrast and Brightness settings via OSD.</li></ul>
Screen image bounces or a wave pattern is present in the image	<ul style="list-style-type: none"><li>• Make sure the signal cable is properly connected to the monitor and the computer.</li><li>• Move electrical devices that may cause electrical interference.</li></ul>
Screen image has color defects (white does not look white)	<ul style="list-style-type: none"><li>• Inspect the signal cable and make sure that none of the pins are bent.</li><li>• Perform All Reset via OSD.</li><li>• Adjust the R/G/B color settings or select the Color Temperature via OSD.</li></ul>
No sound or sound is low	<ul style="list-style-type: none"><li>• Ensure that the HDMI/DisplayPort/USB Type-C cable is properly connected to the monitor and the computer.</li><li>• Adjust the volume settings of both your monitor and HDMI/DisplayPort/USB Type-C device.</li><li>• Ensure that the computer sound card driver is properly installed and activated.</li></ul>

### 3.5 Supported operating modes

Resolution	Vertical Frequency (Hz)	Horizontal Frequency (KHz)	Pixel (MHz)	Remark
640 x 480	59.94(N)	31.469(N)	25.175	
640 x 480	75(N)	37.5(N)	31.5	
800 x 600	60.317(P)	37.879(P)	40	
800 x 600	75(P)	46.875(P)	49.5	
1024 x 768	60.004(N)	48.363(N)	65	
1024 x 768	75.029(P)	60.023(P)	78.75	
1280 x 960	60(P)	60(P)	108	
1280 x 1024	60.02(P)	63.981(P)	108	
1280 x 720	60(P)	45(P)	74.25	
1600 x 1200	60(P)	75(P)	162	
1920 x 1080	60(P)	67.5(P)	148.5	
3840 x 2160 (Reduced Blanking)	60(N)	133.32(P)	533.28	
2560 x 1440 (Reduced Blanking)	120(N)	182.996(P)	497.75	
2560 x 1440 (Reduced Blanking)	60(N)	88.787(P)	241.5	
3840 x 2160 (Reduced Blanking)	240(N)	582.96(P)	2331.84	
3840 x 2160 (Reduced Blanking)	60(N)	133.125(P)	532.5	
3840 x 2160 (Reduced Blanking)	60(N)	133.14(P)	532.56	
3840 x 2160 (Reduced Blanking)	30(N)	65.625(P)	262.5	
3840 x 2160	24(N)	52.375(P)	209.5	
3840 x 2160	120(N)	270.023(P)	1188.1	
3840 x 2160 (Reduced Blanking)	240(N)	582.969(P)	2462.46	
3280x2048	59.981(N)	126.381(P)	434.75	DICOM Only
2560x2048	59.98(N)	94.769(P)	209.75	DICOM Only
2048x1536	59.98(N)	126.379(P)	343.75	DICOM Only
1920 x 2160 (Reduced Blanking)	60(N)	133.293(P)	277.25	PBP Only
1920 x 2160	120(P)	274.399(N)	570.75	PBP Only
1920 x 2160 (Reduced Blanking)	240(N)	582.947(P)	1212.53	PBP Only

**"P" / "N" stands for "Positive" / "Negative" polarity of incoming H-sync/V-sync (input timing).**

**When the monitor is operating in the video mode (ie, not displaying data), the following high definition modes shall be supported in addition to standard definition video.**

Resolution	Vertical Frequency (Hz)	Horizontal Frequency (KHz)
3840 x 2160(P)	120	270
	100	225
	60	135
	50	112.5
	30	67.5
	25	56.25
	24	54
1920 x 1080(P)	120	135
	100	112.5
	60	67.5
	50	56.25
	30	33.75
	25	28.125
	24	27
1280 x 720(P)	60	45
	50	37.5
720 x 576(P)	50	31.25
720 x 480(P)	59.94	31.469
640 x 480(P)	59.94	31.469
1920 x 1080i	60	33.75
	50	28.125
720(1440) x 480i	59.94	15.734
720(1440) x 576i	50	15.625

**ASUS**