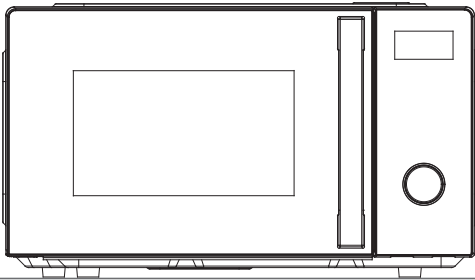


# Hisense



H23MOBSD1H

Instruction manual / Microwave oven	
<b>EN</b> .....	3
Manual de instrucciones: Horno microondas	
<b>ES</b> .....	24
Käyttöopas / Mikroaaltouuni	
<b>FI</b> .....	45
Manuel d'instructions / Four à micro-ondes	
<b>FR</b> .....	66
Upute za uporabu/mikrovalna pećnica	
<b>HR</b> .....	87
Használati utasítás / Mikrohullámú sütő	
<b>HU</b> .....	108
<b>IS</b> .....	129
Istruzioni per l'uso / Forno a microonde	
<b>IT</b> .....	150
გამოყენების სახელმძღვანელო / მიკროტალღური ღუმელი	
<b>KA</b> .....	171
<b>KAZ</b> .....	192

---

## DEAR CUSTOMER

We sincerely thank you for your purchase. We believe you will soon find ample evidence that you can really rely on our products. To make the use of the appliance easier, we attach these comprehensive instruction manual.

The instructions should aid you in getting familiar with your new appliance. Please, read them carefully before using the appliance for the first time.

In any case, please make sure the appliance was supplied to you undamaged. Should you identify and transport damage, contact your sales representative or the regional warehouse from where the product was delivered. You will find the telephone number on the receipt or delivery report.

We wish you a lot of pleasure with your new household appliance.



The appliance for household use for heating food and beverages using electromagnetic energy, for indoor use only.

---

## INSTRUCTIONS FOR USE

These instructions are intended for the user. They describe the cooker and how to use it. They also apply to different types of appliances, therefore you may find some descriptions of functions that may not apply to your appliance.

We reserve the right to any changes and errors in the instructions for use.

## IMPORTANT SAFETY INSTRUCTIONS



Never touch the surfaces of heating or cooking appliances. They will become hot during operation. Keep children at a safe distance. There is a risk of burning!



Microwave energy & High voltage!  
Do not remove the cover.

**WARNING!** The appliance and its accessible parts become hot during use. Care should be taken to avoid touching heating elements. Children less than 8 years of age shall be kept away unless continuously supervised. Children should be supervised to ensure that they do not play with the appliance.

This appliance can be used by children aged from 8 years and above and persons with reduced physical, sensory or mental capabilities or lack of experience and knowledge if they have been given supervision or instruction concerning use of the appliance in a safe way and understand the hazards involved. Children shall not play with the appliance. Cleaning and maintenance shall not be made by children unless they are older than 8 and supervised.

Keep the appliance and its cord out of reach of children less than 8 years.

- **WARNING:** When the appliance is operated in the combination mode, children should only use the oven under adult supervision due to the temperatures generated; (Only for the model with grill function)

- **WARNING:** If the door or door seals are damaged, the oven must not be operated until it has been repaired by a competent person;
- **WARNING:** It is hazardous for anyone other than a competent person to carry out any service or repair operation that involves the removal of a cover which gives protection against exposure to microwave energy;
- **WARNING:** liquids and other foods must not be heated in sealed containers since they are liable to explode.
- Children should be supervised to ensure that they do not play with the appliance.
- Don't remove oven's feet, do not block air vents of the oven.
- Only use utensils that are suitable for use in microwave ovens.
- When heating food in plastic or paper containers, keep an eye on the oven due to the possibility of ignition;
- If smoke is observed, switch off or unplug the appliance and keep the door closed in order to stifle any flames;
- Microwave heating of beverages can result in delayed eruptive boiling, therefore care must be taken when handling the container;
- The contents of feeding bottles and baby food jars shall be stirred or shaken and the temperature checked before consumption, in order to avoid burns;

- Eggs in their shell and whole hard-boiled eggs should not be heated in microwave ovens since they may explode, even after microwave heating has ended;
- When cleaning surfaces of door, door seal, cavity of the oven, use only mild, nonabrasive soaps, or detergents applied with a sponge or soft cloth.
- The oven should be cleaned regularly and any food deposits removed;
- Failure to maintain the oven in a clean condition could lead to deterioration of the surface that could adversely affect the life of the appliance and possibly result in a hazardous situation;
- If the supply cord is damaged, it must be replaced by the manufacturer, its service agent or similarly qualified persons in order to avoid a hazard.
- Do not let the cord hang over the edge of the table or worktop.
- Never connect this appliance to an external timer switch or remote control system in order to avoid a hazardous situation.
- Never replace the light bulb inside the oven. It must always be replaced by Hisense service.
- Do not clean the appliance with steam cleaners, high-pressure cleaners, sharp objects, abrasive cleaning agents, and abrasive sponges and stain removers.

Listed below are, as with all appliances, certain rules to follow and safeguards to assure top performance from this oven:

1. Always have the glass tray, roller arms, coupling and roller track in place when operating the oven.
2. Do not use the oven for any reason other than food preparation, such as for drying clothes, paper, or any other nonfood items, or for sterilizing purposes.
3. Do not operate the oven when empty. This could damage the oven.
4. Do not use the oven cavity for any type of storage, such as papers, cookbooks, etc.
5. Do not cook any food surrounded by a membrane, such as egg yolks, potatoes, chicken livers, etc without first being pierced several times with a fork.
6. Do not insert any object into the openings on the outer case.
7. Do not at any time remove parts from the oven such as the feet, coupling, screws, etc.
8. Do not cook food directly on the glass tray. Place food in/on proper cooking utensil before placing in the oven.

**IMPORTANT - COOKWARE NOT TO USE IN YOUR MICROWAVE OVEN**

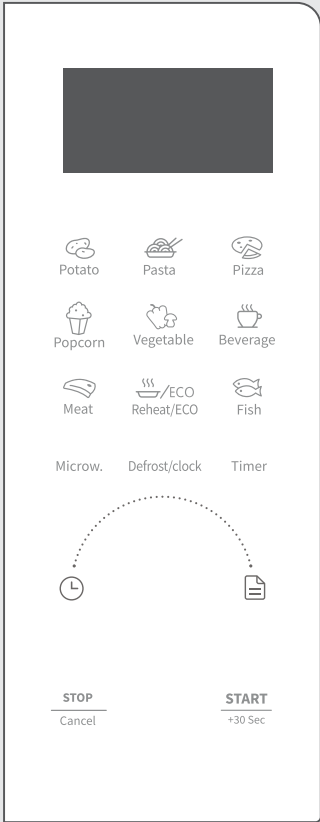
- Do not use metal pans or dishes with metal handles.
  - Do not use anything with metal trim.
  - Do not use paper covered wire twist-ties on plastic bags.
  - Do not use melamine dishes as they contain a material which will absorb microwave energy. This may cause the dishes to crack or char and will slow down the cooking speed.
  - Do not use Centura Tableware. The glaze is not suitable for microwave use. Corelle Livingware closed handle cups should not be used.
  - Do not cook in a container with a restricted opening, such as a pop bottle or sealed oil bottle, as they may explode if heated in a microwave oven.
  - Do not use conventional meat or candy thermometers.
  - There are the thermometers available specifically for microwave cooking. These may be used.
9. Microwave utensils should be used only in accordance with manufacturer's instructions.
  10. Do not attempt to deep-fry foods in this oven.
  11. Please remember that a microwave oven only heats the liquid in a container rather than the container itself. Therefore, even though the lid of a container is not

hot to the touch when removed from the oven, please remember that the food/liquid inside will be releasing the same amount of steam and/or spitting when the lid is removed as in conventional cooking.

12. Always test the temperature of cooked food yourself especially if you are heating or cooking food/liquid for babies. It is advisable never to consume food/liquid straight from the oven but allow it to stand for a few minutes and stir food/liquid to distribute heat evenly.
13. Food containing a mixture of fat and water, e.g. stock, should stand for 30-60 seconds in the oven after it has been turned off. This is to allow the mixture to settle and to prevent bubbling when a spoon is placed in the food/liquid or a stock cube is added.
14. When preparing/cooking food/liquid and remember that there are certain foods, e.g. Christmas puddings, jam and mincemeat, which heat up very quickly. When heating or cooking foods with a high fat or sugar content do not use plastic containers.
15. Cooking utensil may become hot because of heat transferred from the heated food. This is especially true if plastic wrap has been covering the top and handles of the utensil. Potholders may be needed to handle the utensil.
16. To reduce the risk of fire in the oven cavity:
  - a) Do not overcook food. Carefully attend microwave oven if paper, plastic, or other combustible materials are placed inside the oven to facilitate cooking.
  - b) Remove wire twist-ties from bags before placing bag in oven.
  - c) If materials inside the oven should ignite, keep oven door closed, turn the oven off at the wall switch, or shut off power at the fuse or circuit breaker panel.



# OPERATION OF CONTROL PANEL



## DISPLAY

Shows the clock, cooking time and setting.

## DEFROST

Use this key to defrost the food by time and weight MICROW.

Use this key to select the microwave power level.

## CLOCK

Hold this key for 3 sec to set the clock.

## TIMER

Use this key to set the timer function.

## ICONS

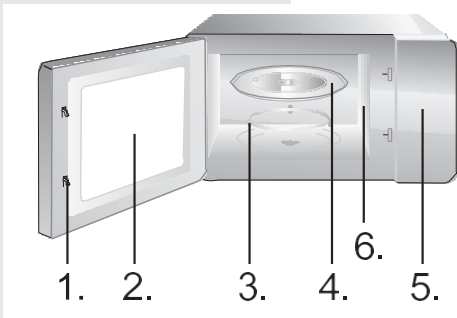
Use these keys to set time and food weight and to choose the auto menu programmes.

## STOP/CANCEL

Use this key to stop or cancel the setting. Hold 3sec for child lock

## START/+30 SEC

Use this key to do quick start cooking of 30 seconds, increase cooking time by 30 seconds (by each press), or confirm cooking settings.



1. Door Safety Lock System
2. Oven Window
3. Roller Ring
4. Glass Tray
5. Control Panel
6. Wave guide (please do not remove the mica plate covering the wave guide)

## MICROWAVE FUNCTION

There are ten microwave power levels, 100P, 90P, 80P, 70P, 60P, 50P, 40P, 30P, 20P and 10P, respectively. Turn the below knob to increase or decrease cooking time, the time range can be selected from 0:10 to 60:00. After select the time, press “START/+30s” button to start work. An buzzing sound to notify completion of the operation.

HIGH	100% and 90% power output	(Applicable for quick and thorough cooking)
M.High	80% and 70% power output	(Applicable for medium express cooking)
Med	60% and 50% power output	(Applicable for steaming food)
M.Low	40% and 30% power output	(Applicable for defrosting food)
LOW	20% and 10% power output	(Applicable for keeping warm)

### CAUTION

- a. The max time which can be set is 60 minutes
- b. Never operate the oven empty.
- c. At the maximum microwave power, the oven will automatically lower the power after a certain time of cooking to lengthen the service life.
- d. If you turn the food during operation, press the **START/+30s**

button once and the preset cooking procedure will continue.

e. If you intend to remove the food before the preset time, you

must press **STOP/CANCEL** button once to clear the preset procedure to avoid unintended operation of next time use.

---

## DEFROST/CLOCK

### DEFROST

There are two defrost mode, dEF1 and dEF2, respectively. dEF1 for defrost by weight and dEF2 for defrost by time. Press this button to select defrost by weight or by time, and the display screen will display "dEF1" or "dEF2". Turn the knob to select food weight or defrost time. The weight range of dEF1 is from 100 to 1500g, and the maximum time of dEF2 is 60:00. After selecting the defrost weight or time, press the "START/+30s" button start to work. An buzzing sound to notify completion of the operation. The dEF1 defrost mode by weight will have a beeping sound to prompt the food to be turned over during defrosting.

Below is some food defrosting time advice:

dEF1	For defrosting, the weight range from 100 to 1500g.
dEF2	For defrosting, the maximum time is 60:00.

## CAUTION

- a. It is necessary to turn over the food during operation to obtain uniform effect.
- b. Usually defrosting will need longer time than that of cooking the food.
- c. If the food can be cut by knife, the defrosting process can be considered completed.
- d. Microwave penetrates around 4cm into most food
- e. Defrosted food should be consumed as soon as possible, it is not advised to put back to fridge and freeze again.

---

### **CLOCK (24-hour clock)**

In standby mode, press and hold down the "DEFROST/CLOCK" button for more than 3 seconds to enter the clock setting interface. At the same time, the display screen blinks in hours. The hour time can be set by turning the knob. After setting the hour, press the "START/+30s" button for a short time to switch to the setting minute mode. The minutes can be set by turning the knob. After setting minutes, press the "START/+30s" button again to exit the setting mode.

---

## AUTO COOKING

There are eight automatic menus A.1~A.8, Potato, Pasta, Pizza, Popcorn, Vegetable, Beverage, Meat and Fish respectively. Press the “Menu” button continuously to select the desired menu, then turn the knob to select the weight of the menu. After selecting the cooking weight, press “START/+30s” button to start work. An buzzing sound to notify completion of the operation.

Display	Kind	Method
A.1	Potato	The optional weight are 250g, 500g and 750g
A.2	Pasta	The optional weight are 50g, 100g and 150g
A.3	Pizza	The optional weight are 200g and 400g
A.4	Popcorn	The optional weight is 100g
A.5	Vegetable	The optional weight are 200g, 400g and 600g
A.6	Beverage	The optional weight are 1 cup, 2 cups or 3 cups, each one about 250ml.
A.7	Meat	The optional weight are 200g, 400g and 600g
A.8	Fish	The optional weight are 200g, 400g and 600g

## CAUTION

- a. The temperature of food before cooking would be 20-25°C. Higher or lower temperature of the food before cooking would require increase or decrease of cooking time.
- b. The temperature, weight and shape of food will largely influence the cooking effect. If any deviation has been found to the factor noted on above menu, you can adjust the cooking time for best result.

---

## TIMER

In standby mode, press this button to enter the setting interface, and the countdown function icon and "0:00" will be displayed on the display screen. Turn the knob to set the time, the maximum time that can be input is 60:00. After setting the time, press the "START/+30s" button to begins the countdown. An buzzing sound to notify completion of the countdown

---

**REHEAT/ECO****REHEAT**

Reheat function is mainly to facilitate users to heat food according to the weight of food, turn the knob to select the appropriate weight of food, the optional weights are 200g, 400g, 600g, 800g and 1000g. After select the weight, press “START/+30s” button to start work. An buzzing sound to notify completion of the operation.

---

**ECO**

In standby mode, press and hold down the Reheat button for 3s to turn on ECO, and the display will turn off. When turning on ECO, press any button to turn off the ECO function.

---

**STOP**

In the process of cooking settings, can press “STOP” button to cancel the settings and return to standby state. In the process of microwave oven working, can press “STOP” button to pause. In the standby state, can press “STOP” button again to cancel the function and return to standby state.

---

**START/+30s**

After setting the cooking time or food weight, press the “START/+30s” button to start the microwave oven immediately. In working state, can press “START/+30s” button to increase time, press one time to increase 30 seconds, but the menu mode and weight defrosting mode can not adjust time. In pause state, can press “START/+30s” button to continue the microwave oven before cooking mode.



---

## EXPRESS

In standby mode, after the food is put in and the door is closed, press the "START/+30s" button to quickly start the microwave. The default working time is 30 seconds. In the process of working, press the "START/+30s" button once for 30 seconds. An buzzing sound to notify completion of the operation.

---

## CHILD LOCK FUNCTION

Use this feature to lock the control panel when you are cleaning or so that children can not use the oven unsupervised. All the buttons are rendered inoperable in this mode.

- 1) Set lock: In standby mode, press the "STOP" button for more than 3 seconds, the child lock function is locked, and all buttons of the microwave oven can not be operated.
- 2) Cancel lock: In the child lock state, press the "STOP" button for more than 3 seconds to cancel the child lock function.

## UTENSILS GUIDELINE

It is strongly recommended to use the containers which are suitable and safe for microwave cooking. Generally speaking, the containers which are made of heat-resistant ceramic, glass or plastic are suitable for microwave cooking. Never use the metal containers for microwave cooking and combination cooking as spark is likely to occur. You can take the reference of below table.

Material of container	Microwave	Notes
Heat-resistant ceramic	Yes	Never use the ceramics which are decorated with metal rim or glazed
Heat-resistant plastic	Yes	Cannot be used for long time microwave cooking
Heat-resistant glass	Yes	
Grill rack	No	
Plastic film	Yes	It should not be used when cooking meat or chops as the over-temperature may do damage to the film

## COOKING TIPS

The following factors may affect the cooking result:

### **Food arrangement**

Place thicker areas towards outside of dish, the thinner part towards the centre and spread it evenly. Do not overlap if possible.

### **Cooking time length**

Start cooking with a short time setting, evaluate it after it times out and extend it according to the actual need. Over cooking may result in smoke and burns.

### **Cooking food evenly**

Food such as chicken, hamburger or steak should be turned once during cooking. Depending on the type of food, if applicable, stir it from outside to centre of dish once or twice during cooking

### **Allow standing time**

After cooking times out, leave the food in the oven for an adequate length of time, this allows it to complete its cooking cycle and cooling it down in a gradual manner

### **Whether the food is done**

Color and hardness of food help to determine if it is done, these include:

- Steam coming out from all parts of food, not just the edge
- Joints of poultry can be moved easily
- Pork or poultry shows no signs of blood
- Fish is opaque and can be sliced easily with a fork

### **Browning dish**

When using a browning dish or self-heating container, always place a heat-resistant insulator such as a porcelain plate under it to prevent damage to the turntable and rotating ring.

### **Microwave safe plastic wrap**

When cooking food with high fat content, do not allow the plastic wrap come into contact with food as it may melt

### **Microwave safe plastic cookware**

Some microwave safe plastic cookware might not be suitable for cooking foods with high fat and sugar content. Also, the preheating time specified in the dish instruction manual must not be exceeded

## **MAINTENANCE**

### **SERVICING**

Please check the following before calling for services.

1. Place one cup of water (approx.150ml) in a glass measure in the oven and close the door securely. Oven lamp should go off if the door is closed properly. Let the oven work for 1 min.
  2. Does the oven lamp light?
  3. Does the cooling fan work?  
(Put your hand over the rear ventilation openings.)
  4. Does the turntable rotate?

(The turntable can rotate clockwise or counter clockwise. This is quite normal.)

5. Is the water inside the oven hot?

If “NO” is the answer to any of the above questions, please

check your wall socket and the fuse in your meter box.

If both the wall socket and the fuse are functioning properly, CONTACT YOUR NEAREST SERVICE CENTER APPROVED.

### **SERVICING SAFEGUARDS**

#### **Caution: MICROWAVE RADIATION**

1. The high voltage capacitor remains charge after disconnection; short the negative terminal of H. V capacitor to the oven chassis (use a screwdriver) to discharge before touching.
2. During servicing below listed parts are liable to be removed and give access to potentials above 250V to earth.
  - Magnetron
  - High voltage transformer
  - High voltage capacitor
  - High voltage diode
  - High voltage fuse
3. The following conditions may cause undue microwave exposure during servicing.

- Improper fitting of magnetron;
- Improper matching of door interlock, door hinge and door;
- Improper fitting of switch support;
- Door, door seal or enclosure has been damaged.

## SPECIFICATIONS

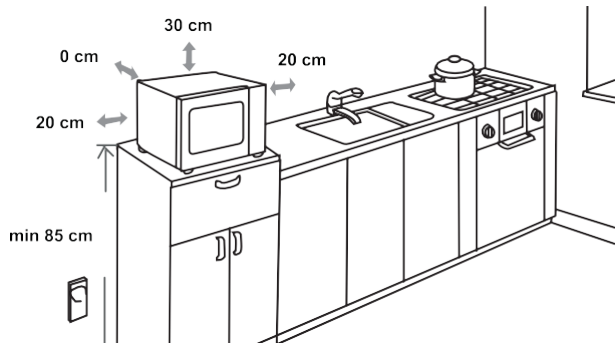
Power consumption.....	220-240V ~50Hz, 1280W
Output power .....	800W
Operating Frequency.....	2450MHz
Outside Dimensions .....	480 x 294 x 352 mm
Oven Capacity.....	23 litres
Uncrated Weight.....	Approx. 11.7kg
Noise level. ....	Lc ≤61 dB (A)



**This appliance is marked according to the European directive 2012/19/EU on Waste Electrical and Electronic Equipment (WEEE).**

**This guideline is the frame of a European-wide validity of return and recycling on Waste Electrical and Electronic Equipment.**

## MOUNTING DIMENSIONS



---

## RADIO INTERFERENCE

Microwave oven may cause interference to your radio, TV, or similar equipment. When interference occurs, it may be eliminated or reduced by the following procedures.

- a) Clean the door and sealing surface of the oven.
- b) Place the radio, TV, etc. as far away from your microwave oven as possible.
- c) Use a properly installed antenna for your radio, TV, etc. to get a strong signal reception.

WE RESERVE THE RIGHT TO MAKE ANY CHANGES  
THAT DO NOT AFFECT THE FUNCTIONALITY OF THE  
APPLIANCE.

**Hisense**

## ESTIMADO CLIENTE:

Nuestro sincero agradecimiento por su compra. Creemos que pronto encontrará motivos suficientes para confiar por completo en nuestros productos. Para facilitar el uso del aparato, adjuntamos este completo manual de instrucciones.

Las instrucciones le ayudarán a familiarizarse con su nuevo aparato. Léalas detenidamente antes de utilizar el aparato por primera vez.

En cualquier caso, asegúrese de que el aparato se le haya suministrado sin daños. Si identifica algún daño producido durante el transporte, póngase en contacto con su agente comercial o con el depósito regional desde donde le fue entregado el producto. Encontrará el número de teléfono en el recibo o el albarán de entrega.

Deseamos que disfrute de su nuevo electrodoméstico.



Aparato de uso doméstico para calentar alimentos y bebidas mediante energía electromagnética. Solo para uso en interiores.

## INSTRUCCIONES DE USO

Estas instrucciones están destinadas al usuario. En ellas se describe el electrodoméstico y cómo utilizarlo. Las mismas instrucciones se aplican a diferentes tipos de electrodomésticos, por lo tanto, es posible que encuentre algunas descripciones de funciones que correspondan a su aparato.

Nos reservamos el derecho de realizar cambios y de cometer errores en las instrucciones de uso.





Nunca toque las superficies de los electrodomésticos de calefacción o cocina. Alcanzan altas temperaturas durante el funcionamiento. Mantenga a los niños a una distancia segura de los mismos. ¡Existe el riesgo de quemaduras!



¡Energía de microondas y alto voltaje!  
No retire la tapa.

**¡ADVERTENCIA!** Tanto el aparato como las piezas accesibles pueden calentarse durante el uso. Procure no tocar los elementos que irradian calor. Mantenga a los niños menores de 8 años alejados del aparato, a menos que se encuentren bajo una supervisión continua. Supervise a los niños para asegurarse de que no jueguen con el aparato.

Este aparato puede ser utilizado por niños a partir de los 8 años, y por personas con capacidades físicas, sensoriales o mentales reducidas, o con falta de experiencia y conocimientos, siempre que se encuentren bajo supervisión o hayan sido instruidas sobre el uso seguro del aparato, y sean conscientes de los peligros que implica. Los niños no deben jugar con el aparato. Las tareas de limpieza y mantenimiento no deben ser realizadas por niños, a menos que sean mayores de 8 años y estén bajo supervisión.

Mantenga el aparato y el cable fuera del alcance de los niños menores de 8 años.

- **ATENCIÓN:** cuando el aparato funciona en el modo combinado, solo puede ser utilizado por niños que se encuentre bajo supervisión de un adulto, debido a que se generan altas temperaturas (solo para el modelo con función de grill)

- **ATENCIÓN:** si la puerta o las juntas de la puerta están dañadas, no use el horno hasta que no sea reparado por una persona capacitada.
- **ATENCIÓN:** es peligroso que una persona no capacitada realice cualquier operación de mantenimiento o reparación que implique la retirada de la cubierta que protege de la exposición a la energía de microondas.
- **ADVERTENCIA:** no calientes líquidos y otros alimentos en recipientes cerrados herméticamente, ya que pueden explotar.
- Supervise a los niños para asegurarse de que no jueguen con el aparato.
- No quite las patas del horno ni bloquee las rendijas de ventilación.
- Use únicamente utensilios aptos para microondas.
- Supervise el horno cuando calientes alimentos en recipientes de plástico o papel, ya que podrían entrar en ignición.
- Si se observa humo, apague o desenchufe el aparato y mantenga la puerta cerrada a fin de sofocar cualquier llama.
- Calentar bebidas en el microondas puede dar lugar a una ebullición retardada. Se debe tener cuidado al manipular los recipientes.
- Debe remover o agitar el contenido de biberones y recipientes de comida para bebés, y comprobar su temperatura antes del consumo, con el fin de evitar quemaduras.

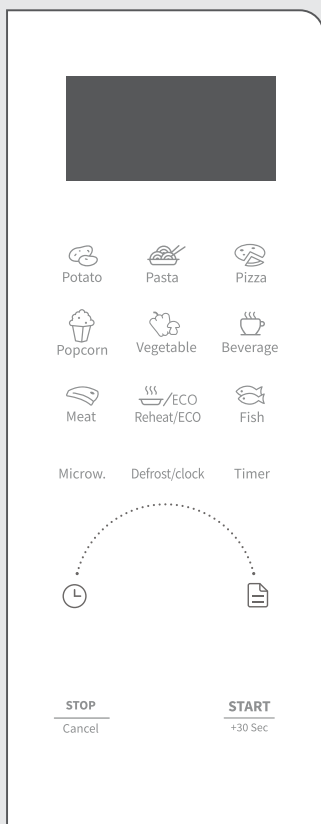
- No deben calentarse ni huevos con cáscara ni huevos duros enteros en un horno microondas, ya que podrían explotar, incluso una vez terminada la cocción.
- Utilice únicamente jabones o detergentes suaves y no abrasivos, aplicados con una esponja o un paño suave, para limpiar las superficies de la puerta, las juntas y el interior del horno.
- Debe limpiar el horno con regularidad y eliminar los restos de alimentos.
- La falta de limpieza podría producir el deterioro de la superficie, afectar negativamente a la vida útil del aparato y provocar situaciones peligrosas.
- Si el cable de alimentación está dañado, debe ser sustituido por el fabricante, el servicio técnico o una persona debidamente calificada para evitar peligros.
- No deje que el cable cuelgue del borde de la mesa o encimera.
- Para evitar situaciones peligrosas, no conecte este aparato a un interruptor temporizador externo ni a un sistema de control remoto separado.
- Nunca reemplace la bombilla que se encuentra dentro del horno. Su reemplazo debe ser llevado a cabo siempre por el servicio de Hisense.
- No limpie el aparato con limpiadores a vapor, limpiadores de alta presión, objetos afilados o productos de limpieza, esponjas o quitamanchas abrasivos.

A continuación, se enumeran, al igual que con todos los electrodomésticos, ciertas medidas que se deben seguir para asegurar un alto rendimiento de este horno:

1. Siempre que ponga en funcionamiento el horno, asegúrese de que la bandeja de vidrio, los brazos de los rodillos, el acoplamiento y el riel de los rodillos estén en su lugar.
2. No utilice el horno para ningún otro propósito que no sea la preparación de alimentos, como, por ejemplo, secar ropa, papel u otros artículos no comestibles ni para procesos de esterilización.
3. No ponga en funcionamiento el horno cuando esté vacío. Esto podría dañar el horno.
4. No utilice el interior del horno para almacenar ningún tipo de objeto, como papeles, libros de cocina, etc.
5. No cocine ningún alimento que esté rodeado por una membrana, como yemas de huevo, patatas, hígados de pollo, etc., sin antes pincharlos varias veces con un tenedor.
6. No inserte ningún objeto en las aberturas de la carcasa exterior.
7. Nunca retire piezas del horno como las patas, el acoplamiento, tornillos, etc.
8. No cocine alimentos directamente sobre la bandeja de vidrio. Coloque los alimentos dentro o sobre un recipiente adecuado antes de ponerlos en el horno. **IMPORTANTE:** UTENSILIOS DE COCINA QUE NO DEBE USAR EN SU HORNO MICROONDAS
  - No utilice recipientes de metal ni fuentes con asas de metal.
  - No utilice utensilios con decoraciones metálicas.
  - No use precintos de alambre cubiertos de papel para cerrar bolsas de plástico.
  - No utilice platos de melamina, ya que contienen un material que absorbe la energía de microondas. Esto puede hacer que los platos se agrieten o se carbonicen y reducirá la velocidad de cocción.
  - No use vajilla Centura. El esmaltado no es apto para microondas. No se deben utilizar vasos con asa cerrada de Corelle Livingware.
  - No cocine en recipientes con una abertura pequeña, como botellas de refresco o botellas de aceite selladas, ya que podrían explotar al calentarse en un horno microondas.
  - No utilice termómetros convencionales para carnes o dulces.
  - Existen termómetros diseñados específicamente para cocinar con microondas. Estos sí pueden ser utilizados.
9. Los utensilios para microondas deben usarse respetando las instrucciones del fabricante.
10. No intente freír alimentos en este horno.
11. Recuerde que los hornos microondas solo calientan los líquidos que se encuentran dentro de un recipiente en lugar del recipiente en sí. Por lo tanto, aunque la tapa de un recipiente no esté

- caliente al tacto cuando se retira del horno, los alimentos o líquidos del interior emitirán vapor o salpicaduras al quitar la tapa, al igual que lo harían en una cocción convencional.
12. Compruebe siempre la temperatura de los alimentos cocinados, especialmente si está calentando o cocinando alimentos o líquidos para bebés. Es aconsejable no consumir nunca alimentos o líquidos recién sacados del horno, es mejor dejarlos reposar durante unos minutos y removerlos para que el calor se distribuya de manera uniforme.
  13. Los alimentos que contienen una mezcla de grasa y agua, como el caldo, deben permanecer entre 30 y 60 segundos en el horno después de apagarlo. Esto permitirá que la mezcla se asiente y evitará que burbujee al sumergir una cuchara o añadir un cubo de caldo en el alimento o el líquido.
  14. Al preparar alimentos o líquidos, recuerde que algunos de ellos, como los postres, las mermeladas y la carne picada, se calientan muy rápidamente. No utilice recipientes de plástico para calentar o cocinar alimentos con alto contenido de grasa o azúcar.
  15. Los utensilios de cocina pueden calentarse debido a la transferencia de calor desde los alimentos. Esto será más probable si ha cubierto la parte superior y las asas del utensilio con una envoltura de plástico. Podría necesitar agarradores para manipular el utensilio.
  16. Para reducir el riesgo de incendio en la cavidad del horno:
    - a) No cocine excesivamente los alimentos. Vigile cuidadosamente el horno de microondas si ha colocado papel, plástico u otros materiales combustibles adentro para facilitar la cocción.
    - b) Retire los precintos de alambre de las bolsas antes de colocarlas en el horno.
    - c) Si los materiales que se encuentran dentro del horno entraran en ignición, mantenga la puerta del horno cerrada y apague el aparato usando el interruptor de pared o cortando la luz desde el cuadro de fusibles o disyuntores.

## FUNCIONAMIENTO DEL PANEL DE CONTROL



### VISUALIZADOR

Muestra el reloj, el tiempo de cocción y los ajustes.

### DEFROST (DESCONGELAR)

Utilice esta tecla para descongelar los alimentos por tiempo y por peso

### MICROW. (MICROONDAS)

Utilice esta tecla para seleccionar el nivel de potencia del microondas.

### CLOCK (RELOJ)

Presione esta tecla durante 3 segundos para configurar el reloj.

### TIMER (TEMPORIZADOR)

Use esta tecla para configurar la función de temporizador.

### ICONOS

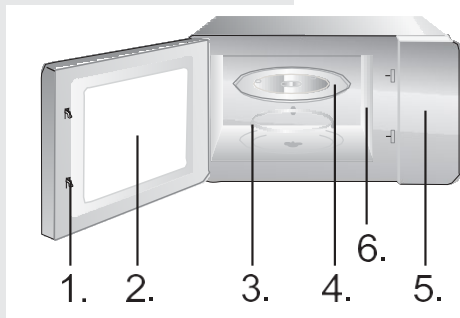
Utilice estas teclas para establecer el tiempo y el peso de los alimentos y para elegir los programas del menú automático.

### STOP/CANCEL (DETENER/CANCELAR)

Utilice esta tecla para detener o cancelar el ajuste seleccionado. Presione durante 3 seg. para activar el bloqueo infantil.

### START/+30 SEC (INICIAR/+30 SEGUNDOS)

Utilice esta tecla para un inicio rápido de 30 segundos de cocción, para aumentar 30 segundos (por cada pulsación) el tiempo de cocción o para confirmar el ajuste de cocción seleccionado.



1. Sistema de bloqueo de seguridad de la puerta
2. Ventana del horno
3. Anillo giratorio
4. Bandeja de vidrio
5. Panel de control
6. Guía de ondas (no retire la placa de mica que cubre la guía de ondas)

## FUNCIÓN DE MICROONDAS

Hay diez niveles de potencia de microondas: 100P, 90P, 80P, 70P, 60P, 50P, 40P, 30P, 20P y 10P, respectivamente. Gire el mando para aumentar o disminuir el tiempo de cocción; puede seleccionar un rango de tiempo entre 0:10 segundos y 60:00 minutos. Después de seleccionar el tiempo, presione el botón «START/+30s» para comenzar la cocción. Un zumbido le notificará cuando la operación haya finalizado.

ALTA	100 % y 90 % de potencia de salida	(Para una cocción rápida y completa)
Medio alta	80 % y 70 % de potencia de salida	(Para cocción exprés media)
Media	60 % y 50 % de potencia de salida	(Para cocinar alimentos al vapor)
Medio baja	40 % y 30 % de potencia de salida	(Para descongelar alimentos)
BAJA	20 % y 10 % de potencia de salida	(Para mantener comidas calientes)



### PRECAUCIÓN

- El tiempo máximo que se puede establecer es de 60 minutos.
- Nunca use el horno vacío.
- Cuando funcione con la potencia máxima de microondas, el horno reducirá automáticamente la potencia después de un cierto tiempo de cocción, para alargar su vida útil.
- Si da la vuelta a los alimentos durante la operación, presione el botón **START/+30s** una vez y el procedimiento de cocción preestablecido continuará.

e. Si tiene la intención de retirar el alimento antes del tiempo preestablecido, presione el botón STOP/CANCEL una vez para borrar el procedimiento preestablecido y evitar que se vuelva a iniciar en el siguiente uso.

## DEFROST/CLOCK DEFROST

Dispone de dos modos de descongelación: dEF1 y dEF2. El modo dEF1 es adecuado para descongelar por peso, y el modo dEF2, para descongelar por tiempo. Presione esta tecla para seleccionar entre descongelar por peso o por tiempo; la pantalla mostrará «dEF1» o «dEF2». Gire el mando para seleccionar el peso de los alimentos o el tiempo de descongelación. En el modo dEF1 puede seleccionar un rango de pesos entre 100 g y 1500 g, y el tiempo máximo de dEF2 es de 60:00 minutos. Después de seleccionar el peso de descongelación, presione el botón «START/+30s» para comenzar el proceso. Un zumbido le notificará cuando la operación haya finalizado. Si usa el modo de descongelación por peso (dEF1), escuchará un pitido que le indicará que debe dar la vuelta a los alimentos durante el proceso de descongelamiento.

A continuación, le indicamos algunos consejos sobre la descongelación de alimentos:

dEF1	Para descongelar, el rango de pesos es de 100 g a 1500 g.
dEF2	Para descongelar, el tiempo máximo es de 60:00 minutos.



## PRECAUCIÓN

- a. Es necesario dar la vuelta a los alimentos durante el proceso para obtener una descongelación uniforme.
- b. Por lo general, la descongelación requerirá más tiempo que la cocción de los alimentos.
- c. Si el alimento se puede cortar con un cuchillo, el proceso de descongelación se puede considerar finalizado.
- d. Las microondas penetran alrededor de 4 cm en la mayoría de los alimentos.
- e. Los alimentos descongelados deben consumirse lo antes posible. No se recomienda volver a ponerlos en la nevera ni volver a congelarlos.

---

### RELOJ (24-horas)

En el modo de espera, presione la tecla de «DEFROST/CLOCK» durante más de 3 segundos para ingresar a la interfaz de configuración del reloj. La parte de la pantalla correspondiente a las horas parpadeará. Puede ajustar la hora girando el mando. Después de configurar la hora, presione brevemente la tecla «START/+30s» para pasar a la configuración de los minutos.

Puede ajustar los minutos girando el mando. Después de configurar los minutos, presione nuevamente la tecla «START/+30s» para salir del modo de configuración.

## COCCIÓN AUTOMÁTICA

Dispone de ocho menús automáticos A.1~A.8, Patata, pasta, pizza, palomitas de maíz, verduras, bebidas, carnes y pescados, respectivamente. Presione el botón «Menú» de manera continuada para seleccionar el menú que desee y luego gire el mando para seleccionar el peso. Después de seleccionar el peso de los alimentos que va a cocinar, presione el botón «START/+30s» para comenzar la cocción. Un zumbido le notificará cuando la operación haya finalizado.

Pantalla	Tipo	Método
A.1	Patata	Las opciones de peso son 250 g, 500 g y 750 g
A.2	Pasta	Las opciones de peso son 50 g, 100 g y 150 g
A.3	Pizza	Las opciones de peso son 200 g y 400 g
A.4	Palomitas	La opción de peso es 100 g
A.5	Verduras	Las opciones de peso son 200 g, 400 g y 600 g
A.6	Bebidas	Las opciones de peso son 1 taza, 2 tazas o 3 tazas, cada una de aproximadamente 250 ml.
A.7	Carnes	Las opciones de peso son 200 g, 400 g y 600 g
A.8	Pescados	Las opciones de peso son 200 g, 400 g y 600 g

## PRECAUCIÓN

- a. La temperatura de los alimentos antes de cocinar debe ser de entre 20 y 25 °C. Si la temperatura de los alimentos antes de la cocción es más alta o más baja requerirá un aumento o disminución del tiempo de cocción.
- b. La temperatura, el peso y la forma de los alimentos influyen en gran medida en el resultado de la cocción. Si encuentra alguna diferencia respecto a lo indicado en el menú anterior, ajuste el tiempo de cocción para obtener los mejores resultados.

---

### TEMPORIZADOR

En modo de espera, presione este botón para ingresar a la interfaz de configuración; en la pantalla aparecerá el icono de la función de cuenta regresiva y «0:00». Gire el mando para establecer el tiempo que desee; el tiempo máximo que puede introducir es de 60:00 minutos. Después de establecer el tiempo, presione el botón «START/+30s» para iniciar la cuenta regresiva. Un zumbido le notificará cuando finalice la cuenta atrás.

---

**RECALENTAR/  
ECO RECALENTAR**

La función de recalentamiento sirve principalmente para que los usuarios calienten alimentos según su peso; gire el mando para seleccionar el peso del alimento. Las opciones de peso son 200 g, 400 g, 600 g, 800 g y 1000 g. Después de seleccionar el peso, presione el botón «START/+30s» para comenzar la cocción. Un zumbido le notificará cuando la operación haya finalizado.

---

**ECO**

En modo de espera, mantenga presionado el botón «Reheat» durante 3 segundos para encender el modo ECO; la pantalla se apagará. Presione cualquier botón para desactivar la función ECO.

---

**STOP (DETENER)**

Mientras un ajuste de cocción esté en funcionamiento, puede presionar el botón «STOP» para cancelarlo y volver al estado de espera. Mientras esté en funcionamiento el horno microondas, puede presionar el botón «STOP» para hacer una pausa. En modo de espera, puede presionar el botón «STOP» nuevamente para cancelar la función y volver al modo de espera.

---

**START/+30s  
(INICIAR/+30 seg.)**

Después de ajustar el tiempo de cocción o el peso de los alimentos, presione el botón «START/+30s» para encender el horno microondas inmediatamente. Mientras el aparato esté en funcionamiento, puede presionar el botón «START/+30s» para aumentar el tiempo: una pulsación agregará 30 segundos, pero en el modo de menú y en el modo de descongelación de peso no se puede modificar el tiempo. En el estado de pausa, puede presionar el botón «START/+30s» para continuar con el modo de cocción previo del horno microondas.

---

## EXPRESS

En modo de espera, después de colocar los alimentos y cerrar la puerta, presione el botón «START/+30s» para iniciar rápidamente el microondas. El tiempo predeterminado de funcionamiento es de 30 segundos. Durante el proceso de funcionamiento, presione el botón «START/+30s» una vez para agregar 30 segundos. Un zumbido le notificará cuando la operación haya finalizado.

---

## FUNCIÓN DE BLOQUEO INFANTIL

Utilice esta función para bloquear el panel de control cuando lo esté limpiando o para que los niños no puedan usar el horno sin supervisión. Con este modo, todos los botones quedan inutilizados.

- 1) Establecer bloqueo: en el modo de espera, presione el botón «STOP» durante más de 3 segundos; la función de bloqueo infantil se activará y no se podrán utilizar los botones del horno.
- 2) Cancelar bloqueo: en el modo de bloqueo infantil, presione el botón «STOP» durante más de 3 segundos para cancelar la función.

Se recomienda encarecidamente utilizar recipientes adecuados y seguros para cocinar en microondas. En términos generales, los recipientes de cerámicas, vidrios o plásticos resistentes al calor son adecuados para cocinar con microondas. Nunca use recipientes metálicos para cocinar con microondas o modo combinado, ya que es probable que se produzcan chispas. Use la siguiente tabla como referencia.

Material del recipiente	Microondas	Notas
Cerámica resistente al calor	Sí	Nunca utilice recipientes de cerámica decorados con bordes de metal o esmaltados
Plástico resistente al calor	Sí	No se puede usar para cocinar en microondas durante mucho tiempo
Vidrio resistente al calor	Sí	
Rejilla del grill	No	
Film plástico	Sí	No se debe usar al cocinar carne o chuletas, ya que el exceso de temperatura puede dañar el film

Los siguientes factores pueden afectar el resultado de la cocción:

### **Disposición de los alimentos**

Coloque las partes más gruesas hacia el exterior del plato, las partes más delgadas hacia el centro y extienda uniformemente. Siempre que sea posible, evite colocar los alimentos encimados.

### **Duración del tiempo de cocción**

Comience con un ajuste de tiempo corto, evalúe el resultado y extiéndalo lo necesario. Una cocción excesiva puede provocar humo y quemaduras.

### **Cocción uniforme de los alimentos**

Los alimentos como el pollo, las hamburguesas o los filetes deben darse la vuelta una vez durante la cocción.

Dependiendo del tipo de alimento, revuélvalo de afuera hacia el centro del plato una o dos veces durante la cocción

### **Deje reposar**

Después de finalizar los tiempos de cocción, deje los alimentos dentro del horno durante un tiempo, esto permitirá que se complete la cocción y que la comida se vaya enfriando gradualmente

### **Saber si la comida está lista**

El color y la dureza de los alimentos ayudan a determinar si están listos, debe observar:

- Vapor que sale de todas las superficies de la comida, no solo de los bordes
- Las articulaciones de las aves se pueden mover fácilmente
- La carne de cerdo o aves no tiene signos de sangre
- El pescado se ve opaco y se puede cortar fácilmente con un tenedor



### **Platos para dorar**

Cuando use un plato para dorar o un recipiente autocalentable, coloque siempre un aislante resistente al calor, como un plato de porcelana, debajo de él para evitar daños en el plato y el anillo giratorio.

### **Envolturas de plástico aptas para microondas**

Al cocinar alimentos con alto contenido graso, evite que la envoltura de plástico entre en contacto con los alimentos, ya que puede derretirse.

### **Utensilios de plástico aptos para microondas**

Algunos utensilios de plástico para microondas pueden no ser adecuados para cocinar alimentos con alto contenido de grasas y azúcar. Además, procure no exceder el tiempo de precalentamiento que se especifica en las instrucciones del plato.

## **MANTENIMIENTO**

### **REVISIÓN**

Por favor, compruebe lo siguiente antes de llamar al servicio técnico.

1. Coloque una taza con agua (aprox. 150 ml) dentro del horno y cierre la puerta de forma segura. Si la puerta está cerrada correctamente, la lámpara del horno debería apagarse. Deje que el horno funcione durante 1 minuto.

2. ¿Se enciende la lámpara del horno?

3. ¿Funciona el ventilador de refrigeración?

(Coloque una mano sobre las aberturas de ventilación traseras para comprobarlo).

4. ¿El plato giratorio gira adecuadamente?

(El plato giratorio puede rotar en sentido horario o antihorario. Eso es normal).

5. ¿El agua dentro del horno se ha calentado?

Si la respuesta a cualquiera de estas preguntas es «NO»,

revise la toma de corriente y el fusible en la caja del medidor de su hogar.

Si tanto la toma de corriente como el fusible funcionan correctamente, COMUNÍQUESE CON EL CENTRO DE SERVICIO APROBADO MÁS CERCANO.

### **PRECAUCIONES DE MANTENIMIENTO**

**Precaución:** RADIACIÓN DE MICROONDAS

1. El capacitor de alta tensión permanece cargado después de la desconexión; cortocircuite el terminal negativo del condensador de alta tensión al chasis del horno (utilice un destornillador) para descargarlo antes de tocarlo.
2. Durante el mantenimiento, retirar las piezas enumeradas a continuación puede dar acceso a potenciales superiores a 250 V a tierra.
  - Magnetron
  - Transformador de alta tensión
  - Condensador de alta tensión
  - Diodo de alta tensión
  - Fusible de alta tensión
3. Las siguientes condiciones pueden causar una exposición indebida a microondas durante el servicio.

- Ajuste incorrecto del magnetrón;
- Ajuste incorrecto del enclavamiento de la puerta, la bisagra de la puerta y la puerta;
- Ajuste incorrecto del soporte del interruptor;
- Daños en la puerta, las juntas de la puerta o el recinto.

## ESPECIFICACIONES

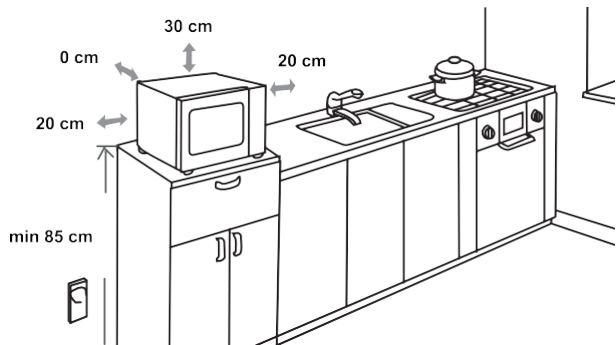
Consumo de energía .....	220-240 V ~50 Hz, 1280 W
Potencia de salida .....	800 W
Frecuencia de funcionamiento.....	2450 MHz
Dimensiones exteriores .....	480 x 295 x 352 mm
Capacidad del horno.....	23 litros
Peso sin embalaje.....	Aprox. 11.7 kg
Nivel de ruido.....	Lc ≤ 61 dB (A)



**Este aparato está etiquetado de acuerdo con la Directiva europea 2012/19/UE sobre Residuos de aparatos eléctricos y electrónicos (RAEE).**

**Esta directriz constituye un marco de validez europea para la reutilización y el reciclaje de los residuos de aparatos eléctricos y electrónicos.**

## DIMENSIONES PARA EL MONTAJE



## INTERFERENCIAS DE RADIO

El horno microondas puede provocar interferencias en radios, televisores o equipos similares. En caso de que se produzcan interferencias, puede eliminarlas o reducirlas mediante los siguientes procedimientos.

- a) Limpie la superficie de la puerta y de las juntas de la puerta del horno.
- b) Coloque la radio, el televisor o el dispositivo lo más lejos posible del horno microondas.
- c) Use una antena correctamente instalada en la radio, el televisor o el dispositivo para poder obtener una buena recepción de la señal.

NOS RESERVAMOS EL DERECHO DE REALIZAR CUALQUIER TIPO DE MODIFICACIÓN QUE NO AFECTE A LA FUNCIONALIDAD DEL APARATO.

# Hisense

## HYVÄ, ASIAKAS

Kiitos, kun hankit tuotteemme. Uskomme sinun vakuuttuvan nopeasti tuotteidemme erinomaisesta luotettavuudesta. Laitteen käytön helpottamiseksi liitämme mukaan tämän kattavan käyttöoppaan.

Ohjeiden avulla pääset tutuksi hankkimasi uuden laitteen kanssa. Lue ohjeet huolellisesti, ennen kuin käytät laitetta ensimmäisen kerran.

Varmista aina, että laite on toimitettu vahingoittumattomana. Jos havaitset kuljetusvaurioita, ota yhteyttä myyntiedustajaasi tai laitteen toimittaneeseen liikkeeseen. Puhelinnumero on kassakuitissa tai pakkausluettelossa.

Toivomme, että sinulla on paljon iloa hankkimastasi uudesta kodinkoneesta.



Laite on tarkoitettu ruokien ja juomien kuumentamiseen sähkömagneettisella energialla kotitalouksissa. Vain sisäkäyttöön.

## KÄYTTÖOHJE

Nämä käyttöohjeet on tarkoitettu käyttäjälle. Ne kuvailevat, millainen laite on ja miten sitä käytetään. Ohjeet koskevat useaa erityyppistä laitetta, ja siksi ohjeissa voi esiintyä joitakin toimintokuvauksia, jotka eivät välttämättä päde hankkimaasi malliin.

Pidätämme oikeuden muuttaa käyttöohjetta, emmekä vastaa sen mahdollisesti sisältämistä virheistä.



Älä koskaan kosketa kuumennus- tai keittolaitteiden pintoja. Ne kuumenevat käytön aikana. Pidä lapset turvallisen etäisyyden päässä. Palovammavaara!



Mikroaaltoenergia ja korkea jännite!  
Älä irrota suojaa.

**VAROITUS!** Laite sekä sen osat, joihin pääsee käsiksi, kuumenevat käytön aikana. Vältä koskettamasta lämmityselementtejä. Alle 8-vuotiaat lapset eivät saa koskea laitteeseen, ellei heitä valvota jatkuvasti. Lapsia on valvottava ja varmistettava, etteivät he leiki laitteella.

Yli 8-vuotiaat lapset ja henkilöt, joilla on fyysisiä, aistillisia tai henkisiä rajoitteita tai puutteellinen kokemus tai tiedot, saavat käyttää tätä laitetta ainoastaan valvotusti tai mikäli heille on annettu ohjeet laitteen turvallisesta käytöstä ja he ymmärtävät käyttöön liittyvät vaarat. Lapset eivät saa leikkiä laitteella. Alle 8-vuotiaat lapset eivät saa puhdistaa tai huoltaa laitetta ilman valvontaa.

Pidä laite ja sen virtajohto poissa alle 8-vuotiaiden lasten ulottuvilta.

- **VAROITUS:** kun laitetta käytetään yhdistelmätoiminnolla, lasten tulee käyttää uunia vain aikuisten valvonnassa korkeiden lämpötilojen takia; (vain grillitoiminnolla varustettu malli).

- **VAROITUS:** jos luukku tai luukun tiivisteet ovat vaurioituneet, uunia ei saa käyttää, ennen kuin ammattihenkilö on korjannut vian.
- **VAROITUS:** on vaarallista antaa muun kuin valtuutetun huoltohenkilön suoritettaviksi sellaiset huolto- tai korjaustyöt, joihin liittyy mikroaaltoenergialle altistumiselta suojaavan suojan poistaminen.
- **VAROITUS:** nesteitä ja muita ruokia ei saa kuumentaa umpinaisissa astioissa, koska ne voivat räjähtää.
- Lapsia on valvottava ja varmistettava, etteivät he leiki laitteella.
- Älä poista uunin tukijalkoja äläkä peitä sen ilma-aukkoja.
- Käytä vain astioita, jotka sopivat käytettäväksi mikroaaltouunin kanssa.
- Kun lämmität ruokaa muovi- tai paperiastioissa, tarkkaile uunia mahdollisen syttymisen varalta.
- Jos havaitset savua, sammuta laite tai irrota se pistorasiasta ja pidä uunin luukku suljettuna tukahduttaaksesi mahdolliset liekit.
- Jos kuumennat mikroaaltouunissa juomia, ne saattavat kiehua vielä kuumennuksen loputtuakin voimakkaasti. Käsittele siksi kuumennusastiaa varovasti.
- Sekoita tai ravista tuttipullojen ja vauvanruokapurkkien sisältö, ja tarkista lämpötila ennen syöttämistä välttääksesi palovammat.

- Älä kuumenna mikroaaltouunissa kuorimattomia tai kovaksi keitettyjä kananmunia, koska ne voivat räjähtää vielä mikroaaltokuumennuksen päätyttyäkin.
- Kun puhdistat luukun, luukun tiivisteen tai uunin sisäosan pintoja, käytä vain mietoja, hankaamattomia puhdistusaineita tai pesuaineita, jotka levitetään sienellä tai pehmeällä liinalla.
- Puhdista uuni säännöllisesti ja poista ruokajäämät.
- Jos uunia ei puhdisteta säännöllisesti, sen pinta saattaa vioittua, mikä voi lyhentää laitteen käyttöikää ja aiheuttaa vaaratilanteita.
- Jos virtajohto on vaurioitunut, se on vaihdettava valmistajan, sen valtuuttaman huoltoyrityksen tai vastaavan pätevän henkilön toimesta vaarojen välttämiseksi.
- Älä anna johdon roikkua pöydän tai työtason reunan yli.
- Älä koskaan liitä laitetta ulkoiseen ajastinkytkimeen tai kauko-ohjausjärjestelmään vaaratilanteiden välttämiseksi.
- Älä koskaan vaihda uunin sisällä olevaa lamppua. Sen vaihtaa aina Hisensen huoltopalvelu.
- Älä puhdista laitetta höyrypuhdistimilla, painepesureilla, terävillä esineillä, hankaavilla puhdistusaineilla tai hankaavilla sienillä ja tahrannoistajilla.



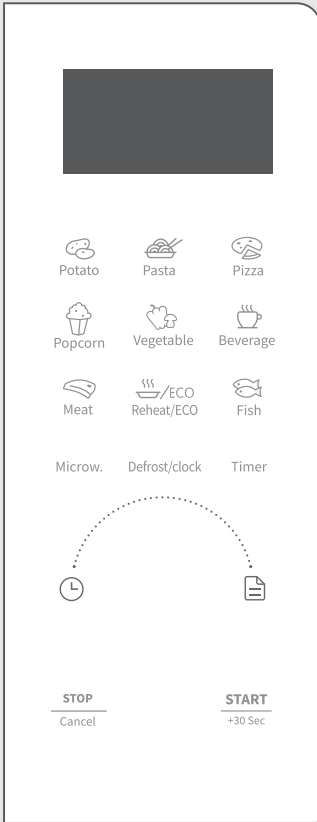
Alla on lueteltu, kuten kaikkien laitteiden kohdalla, tietyt säännöt ja suojatoimet, joita on noudatettava tämän uunin parhaan suorituskyvyn varmistamiseksi:

1. Pidä aina lasialusta, rullavarret, kytkentä ja rullarata paikallaan, kun käytät uunia.
2. Älä käytä uunia mihinkään muuhun tarkoitukseen kuin ruoanvalmistukseen, kuten vaatteiden, paperin tai muiden kuin elintarvikkeiden kuivaamiseen tai sterilointiin.
3. Älä käytä uunia tyhjänä, koska se voi vahingoittaa uunia.
4. Älä käytä uunia mihinkään varastointiin, kuten esimerkiksi papereiden tai keittokirjojen säilytykseen.
5. Älä kypsennä mitään kalvon ympäröimää ruokaa, kuten munankeltuaisia, perunoita, kananmaksaa jne., ilman että teet niihin ensin useita reikiä haarukalla.
6. Älä työnä mitään esineitä ulkokotelon reikiin.
7. Älä missään vaiheessa poista uunista osia, kuten jalkoja, kytkintä tai ruuveja.
8. Älä kypsennä ruokaa suoraan lasialustalla. Aseta ruoka asianmukaiseen keittoastiaan ennen uuniin laittamista.  
**TÄRKEÄÄ – KEITTOASTIAT, JOITA EI SAA KÄYTTÄÄ MIKROAALTOUUNISSA**
  - Älä käytä metallisia keittoastioita tai astioita, joissa on metallikahvat.
  - Älä käytä astioita, joissa on metallista koristetta.
  - Älä käytä muovipusseissa paperipäällysteisiä metallikerresulkimia.
  - Älä käytä melamiinastioita, koska ne sisältävät mikroaaltoenergiaa imevää materiaalia. Tämä voi aiheuttaa astioiden halkeilua tai hiiltymistä ja hidastaa kypsennystä.
  - Älä käytä Centura-keittoastioita. Lasite ei sovellu mikroaaltouunikäyttöön. Corelle Livingwaren umpikorvallisista kahvakuppeja ei saa käyttää.
  - Älä kypsennä ruokaa astiassa, jonka suuaukko on pieni, kuten limsapullossa tai suljetussa öljypullossa, koska ne voivat räjähtää, jos niitä kuumennetaan mikroaaltouunissa.
  - Älä käytä tavanomaisia liha- tai muita lämpömittareita.
  - Mikroaaltouuneihin on saatavana erityisesti niihin tarkoitettuja lämpömittareita. Niitä voidaan käyttää.
9. Mikroaaltouuniastioita saa käyttää vain valmistajan ohjeiden mukaisesti.
10. Mikroaaltouuni ei sovellu ruokien uppoaistamiseen.
11. Muista, että mikroaaltouuni lämmittelee vain astiassa olevan nesteen, ei itse astiaa. Vaikka astian kansi ei olisi kuuma, kun se otetaan pois

uunista, astiassa oleva ruoka tai neste höyryää/roiskuu samalla tavalla kuin perinteisellä tavalla valmistettu ruoka, kun kansi otetaan pois.

12. Tarkista aina ruoan lämpötila, varsinkin, jos olet lämmittämässä tai kypsentämässä ruokaa tai nestettä pienelle lapselle. Älä nauti ruokaa tai juomaa heti kuumennuksen tai kypsennyksen jälkeen, vaan anna sen jäähtyä hetki ja sekoita ruokaa/nestettä, jotta lämpö jakautuu tasaisesti.
13. Lihaliemen ja muiden sekä vettä että rasvaa sisältävien seosten tulee antaa seistä mikroaaltouunissa 30–60 sekuntia sen jälkeen, kun uuni on sammutettu. Näin seos saa aikaa laskeutua, eikä ruoka/neste ala kuplimaan, kun siihen laitetaan lusikka tai lisätään liemikuutio.
14. Muista ruokia tai juomia valmistaessasi tai kypsentaessasi, että esimerkiksi jauheliha ja erilaiset jälkiruoat tai hillot kuumenevat erittäin nopeasti. Kun lämmität tai kypsennät ruokaa, joka sisältää paljon rasvaa tai sokeria, älä käytä muoviasiastia.
15. Keittoastiat voivat kuumeta kuumennettavasta ruoasta siirtyvän lämmön vuoksi. Näin käy erityisesti silloin, kun astian yläosa ja kahvat on peitetty kelmulla. Käytä astioiden käsittelyyn tarvittaessa patalappuja.
16. Uunin sisällä syttyvien tulipalojen välttämiseksi:
  - a) Älä ylikypsennä ruokaa. Tarkkaile huolellisesti mikroaaltouunia, jos sen sisälle on ruoanlaiton ajaksi laitettu paperia, muovia tai muuta palavaa materiaalia.
  - b) Poista pusseista metalliset pussinsulkijat, ennen uuniin laittamista.
  - c) Jos materiaali uunin sisällä syttyy palamaan, pidä luukku suljettuna, sammuta uuni ja irrota pistoke tai katkaise virta sulakkeesta tai pääkatkaisimesta.

# OHJAUSPANEELIN TOIMINTA



## NÄYTTÖ

Näyttää kellon, kypsennysajan ja asetuksen.

## SULATUS

Tällä näppäimellä voit sulattaa ruoan ajan ja painon mukaan.

## MICROW.

Tällä näppäimellä valitaan mikroaaltouunin tehotaso.

## KELLO

Aseta kello painamalla tätä näppäintä 3 sekunnin ajan.

## AJASTIN

Käytä tätä näppäintä ajastintoiminnon asettamiseen.

## KUVAKKEET

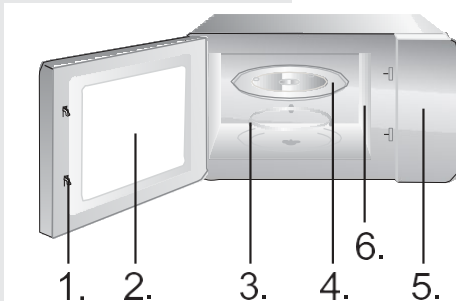
Näillä näppäimillä asetetaan aika ja ruoan paino sekä valitaan automaattivalikon ohjelmat.

## STOP/CANCEL

Pysäytä tai peruuta asetukset tällä näppäimellä. Aseta lapsilukko painamalla 3 sekuntia.

## START/+30 SEC

Tällä näppäimellä voit aloittaa nopeasti kypsennyksen 30 sekunniksi, pidentää aikaa 30 sekunnilla (jokaisella painalluksella) tai vahvistaa kypsennysasetukset.



1. Luukun turvalukkojärjestelmä
2. Uunin ikkuna
3. Rengaskehä
4. Lasialusta
5. Ohjauspaneeli
6. Aaltoputki (älä irrota aaltoputkea peittävää mica-levyä)

## MIKROAALTOTOIMINTO

Mikroaaltotehotasoja on kymmenen: 100P, 90P, 80P, 70P, 60P, 50P, 40P, 30P, 20P ja 10P. Käännä alla olevaa säädintä pidentääksesi tai lyhentääksesi kypsennysaikaa, aikaväli voidaan valita välillä 0:10 - 60:00. Kun olet valinnut ajan, käynnistä laite painamalla painiketta **START/+30s**. Suriseva ääni ilmoittaa toiminnon päättymisestä.

HIGH (korkea)	Teho 100 % ja 90 %	(Nopeaan ja perusteelliseen kypsentämiseen)
M.High (keskikorkea)	Teho 80 % ja 70 %	(Soveltuu pikakypsennykseen)
Med (keski)	Teho 60 % ja 50 %	(Soveltuu ruoan höyrykypsentämiseen)
M.Low (keskimatala)	Teho 40 % ja 30 %	(Soveltuu ruoan sulatukseen)
LOW (matala)	Teho 20 % ja 10 %	(Soveltuu lämpimänä pitämiseen)

### CAUTION

- Maksimiaika, joka voidaan asettaa, on 60 minuuttia
- Älä koskaan käytä uunia tyhjänä.
- Suurimmalla mikroaaltoteholla uunin tehoa vähennetään automaattisesti tietyn kypsennysajan jälkeen käyttöiän pidentämiseksi.
- Jos käännät ruokaa käytön aikana, paina **START/+30s**

-painiketta kerran ja esiasetettu  
kypsennysprosessi jatkuu.

e. Jos aiot poistaa ruoan ennen ennalta  
asetettua aikaa, on

painettava **STOP/CANCEL**-painiketta  
kerran tyhjentääksesi esiasetetun  
menettelyn, jotta vältetään seuraavan  
käyttökerran tahaton toiminta.

## DEFROST/CLOCK

### DEFROST (sulatus)

Sulatustiloja on kaksi, dEF1 ja dEF2. Tila dEF1 on sulatukseen painon mukaan ja dEF2 ajan mukaan. Paina tätä painiketta valitaksesi sulatuksen painon tai ajan mukaan, ja näytössä näkyy ”dEF1” tai ”dEF2”. Valitse ruoan paino tai sulatusaika kääntämällä säädintä. Tilan dEF1 painoalue on 100–1 500 g ja dEF2:n enimmäisaika on 60:00. Kun olet valinnut sulatuspainon tai -ajan, käynnistä laite painamalla painiketta START/+30s. Suriseva ääni ilmoittaa toiminnon päättymisestä. dEF1-sulatustilassa painon mukaan kuuluu piippaava ääni kehotuksena kääntää ruoka sulatuksen aikana.

Alla on muutamia ohjeita ruokien sulatusajoista:

dEF1	Sulatusta varten painoalue on 100–1 500 g.
dEF2	Sulatuksen enimmäisaika on 60:00.

## CAUTION

- a. Ruoka on käännettävä käytön aikana, jotta saavutetaan tasainen vaikutus.
- b. Yleensä sulatus vaatii pidemmän ajan kuin ruoan kypsentyminen.
- c. Jos ruokaa voi leikata veitsellä, sulatusprosessi on valmis.
- d. Mikroaallot menevät noin 4 cm useimpien ruokien sisään.
- e. Sulatettu ruoka tulee käyttää mahdollisimman pian, sitä ei ole suositeltavaa laittaa takaisin jääkaappiin ja pakastaa uudelleen.

---

## **CLOCK (24 tunnin kello)**

Pidä valmiustilassa "DEFROST/CLOCK" -painiketta painettuna yli 3 sekunnin ajan siirtyäksesi kellonasetusliittymään. Samaan aikaan tunnit vilkkuvat näyttöruudulla. Tunti voidaan asettaa kääntämällä säädintä. Kun tunti on säädetty, paina START/+30s-painiketta lyhyen aikaa siirtyäksesi minuuttien säädön tilaan. Minuutit voidaan asettaa kääntämällä säädintä. Kun olet säätänyt minuutit, paina START/+30s-painiketta uudelleen poistuaksesi asetustilasta.

## AUTOMAATTINEN KYPSENNYS

Käytettävissä on kahdeksan automaattiasetusta A.1~A.8: Potato, Pasta, Pizza, Popcorn, Vegetable, Beverage, Meat ja Fish (peruna, pasta, pizza, popcorn, vihannekset, juomat, liha ja kala). Paina "Menu" -painiketta jatkuvasti valitaksesi haluamasi ruoka-asetuksen ja valitse sitten asetuksen paino kääntämällä säädintä. Kun olet valinnut kypsennyspainon, käynnistä laite painamalla painiketta START/+30s. Suriseva ääni ilmoittaa toiminnon päättymisestä.

Näyttö	Asetus	Menetelmä
A.1	Peruna	Valittavat painot ovat 250 g, 500 g ja 750 g
A.2	Pasta	Valittavat painot ovat 50 g, 100 g ja 150 g
A.3	Pizza	Valittavat painot ovat 200 g ja 400 g
A.4	Popcorn	Valittava paino on 100 g
A.5	Vihannekset	Valittavat painot ovat 200 g, 400 g ja 600 g
A.6	Juomat	Valittavat painot ovat 1 kuppi, 2 kuppia tai 3 kuppia, kukin noin 250 ml.
A.7	Liha	Valittavat painot ovat 200 g, 400 g ja 600 g
A.8	Kala	Valittavat painot ovat 200 g, 400 g ja 600 g

## CAUTION

- a. Ruoan lämpötila ennen kypsennystä 20–25 °C. Ruoan korkeampi tai matalampi lämpötila ennen kypsennystä vaatisi kypsennysajan pidentämistä tai lyhentämistä.
- b. Ruoan lämpötila, paino ja muoto vaikuttavat paljon kypsennysvaikutukseen. Jos yllä olevassa asetuksessa mainitussa tekijässä on havaittu poikkeama, voit säätää kypsennysaikaa parhaan tuloksen saavuttamiseksi.

---

### AJASTIN

Paina valmiustilassa tätä painiketta siirtyäksesi asetusrajapintaan, ja lähtölaskentatoiminnon kuvake ja ”0:00” näkyvät näytössä. Aseta aika kääntämällä säädintä. Asetettava enimmäisaika on 60:00. Kun olet asettanut ajan, paina START/+30s-painiketta aloittaaksesi lähtölaskennan. Suriseva ääni ilmoittaa lähtölaskennan päättymisestä.



---

**REHEAT/ECO REHEAT**  
**(uudelleenlämmitys)**

Uudelleenlämmitystoiminnon tarkoituksena on lähinnä auttaa uunin käyttäjiä lämmittämään ruokaa sen painon mukaan. Valitse ruoan oikea paino kääntämällä säädintä. Valittavat painot ovat 200 g, 400 g, 600 g, 800 g ja 1 000 g. Kun olet valinnut painon, käynnistä laite painamalla painiketta START/+30s. Suriseva ääni ilmoittaa toiminnon päättymisestä.

---

**ECO**

Pidä valmiustilassa uudelleenlämmityspainiketta painettuna 3 sekunnin ajan kytkeäksesi ECO-toiminnon päälle, jolloin näyttö sammuu. Kun olet kytkenyt ECO:n päälle, sammuta ECO-toiminto painamalla mitä tahansa painiketta.

---

## STOP

Kypsennysasetuksia valitessasi voit perua asetukset ja palata valmiustilaan painamalla STOP-painiketta. Kun mikroaaltouuni on toiminnassa, voit keskeyttää sen painamalla STOP-painiketta. Valmiustilassa voit painaa STOP-painiketta uudelleen peruuttaaksesi toiminnon ja palataksesi valmiustilaan.

---

## START/+30s

Kun olet säätänyt kypsennysajan tai ruoan painon, käynnistä mikroaaltouuni painamalla START/+30s-painiketta. Laitteen ollessa toiminnassa voit painaa START/+30s-painiketta pidentääksesi toiminta-aikaa. Paina kerran lisätäksesi 30 sekuntia, mutta asetustilassa ja sulatustilassa painon mukaan aikaa ei voi säätää. Taukotilassa voit painaa START/+30s-painiketta jatkaaksesi mikroaaltouunin toimintaa ennen kypsennystilaa.

---

**EXPRESS**  
**(pikakypsennys)**

Valmiustilassa, kun ruoka on laitettu uuniin ja luukku on suljettu, käynnistä mikroaaltouuni heti painamalla START/+30s-painiketta. Oletustoiminta-aika on 30 sekuntia. Paina toiminnan aikana START/+30s-painiketta kerran 30 sekunnin ajan. Suriseva ääni ilmoittaa toiminnon päättymisestä.

---

**CHILD LOCK -TOIMINTO**  
**(lapsilukko)**

Tämän toiminnon avulla voit lukita ohjauspaneelin, jotta voit puhdistaa uunia tai estää lapsia käyttämästä uunia ilman valvontaa. Kaikki painikkeet on poistettu käytöstä tässä tilassa.

- 1) Aseta lukitus: Paina valmiustilassa STOP-painiketta yli 3 sekuntia: lapsilukkotoiminto lukittuu ja mitään mikroaaltouunin painikkeita ei voi käyttää.
- 2) Poista lukitus: Paina lapsilukkotilassa STOP-painiketta yli 3 sekuntia poistaaksesi lapsilukkotoiminnon käytöstä.

# KYPSENNYSVÄLINEOHJE

On erittäin suositeltavaa käyttää astioita, jotka ovat sopivia ja turvallisia mikroaaltouunissa kypsentämiseen. Yleisesti ottaen astiat, jotka on valmistettu lämmönkestävästä keraamisesta materiaalista, lasista tai muovista, soveltuvat mikroaaltouuniin. Älä koskaan käytä metalliastioita mikroaaltouuni- ja yhdistelmäkypsennykseen, koska silloin aiheutuu todennäköisesti kipinäntiä. Voit käyttää alla olevaa taulukkoa ohjeena.

Astian materiaali	Mikroaaltouuni	Huomautukset
Lämmönkestävä keramiikka	Kyllä	Älä koskaan käytä keramiikkaa, joka on koristeltu metallireunuksilla tai lasitettu.
Lämmönkestävä muovi	Kyllä	Ei voida käyttää pitkäkestoiseen mikroaaltouunissa kypsentämiseen
Lämmönkestävä lasi	Kyllä	
Grillausalusta	Ei	
Muovikelmu	Kyllä	Sitä ei tule käyttää lihan tai kyljysten kypsentämiseen, koska korkea lämpötila voi vahingoittaa kelmua

Seuraavat tekijät voivat vaikuttaa kypsennystulokseen:

## **Ruon asettelu**

Aseta paksummat alueet astian ulkoreunoille niin, että ohuempi osa osoittaa keskiosaa kohti ja levitä ruoka tasaisesti. Älä aseta ruokaa päällekkäin, jos vain mahdollista.

## **Kypsennysajan kesto**

Aloita kypsennys lyhyellä aika-asetuksella, arvioi se aikakatkaisun jälkeen ja pidennä kestoä todellisen tarpeen mukaan. Liiallinen kypsennys voi aiheuttaa savua ja ruoan palamisen.

## **Ruon tasainen kypsentyminen**

Ruoka, kuten kana, jauheliha tai kokoliha, tulee kääntää kerran kypsennyksen aikana.

Ruon tyyppin mukaan sekoita sitä astian ulkoreunoilta kohti astian keskiosaa kerran tai kahdesti kypsennyksen aikana.

## **Anna ruoan hetken tasaantua**

Kun kypsennys on aikakatkaistu, jätä ruoka uuniin riittävän pitkäksi aikaa, jolloin se kypsyy loppuun asti ja jäähtyy asteittain.

## **Ruon kypsyyden varmistaminen**

Ruon väri ja kovuus auttavat määrittämään, onko se kypsää, kuten esimerkiksi:

- ruoka höyryää joka puolelta, ei vain reunoilta
- siipikarjan nivelet irtoavat helposti
- sian- tai siipikarjanlihassa ei näy verta
- kala on läpinäkymätöntä ja se on helppo viipaloida haarukalla

## **Ruskistusastia**

Kun käytät ruskistusastiaa tai itsekuumenevaa astiaa, aseta sen alle aina eristimeksi lämmönkestävä astia, kuten posliinilautanen, jotta pyörivä alusta ja rengas eivät vahingoitu.

## **Mikroaaltouunin kestävä muovikeltu**

Kun kypsennät runsasrasvaista ruokaa, älä anna muovikeltun joutua kosketuksiin ruoan kanssa, koska se voi sulaa.

## **Mikroaaltouunin kestävät muoviasiastiat**

Jotkut mikroaaltouunin kestävät muoviasiastiat eivät ehkä sovellu runsaasti rasvaa ja sokeria sisältävien ruokien kypsentämiseen. Myöskään astian käyttöohjeessa määritettyä esilämmitysaikaa ei saa ylittää.

# **KUNNOSSAPITO**

## **HUOLTO**

Tarkista seuraavat asiat, ennen kuin soitat huoltopalveluun.

1. Aseta uuniin kupillinen vettä (n. 150 ml) lasiseen mittakannuun ja sulje luukku kunnolla. Uunin lampun pitäisi sammua, kun luukku on suljettu kunnolla. Anna uunin olla toiminnassa yhden minuutin ajan.
  2. Syttyykö uunin lamppu?
  3. Toimiiko jäähdytyspuhallin?  
(Laita kätesi tuuletusaukkojen päälle uunin takana.)
  4. Pyöriikö pyörivä alusta?

(Pyörivä alusta voi pyöriä myötäpäivään tai vastapäivään. Tämä on aivan normaalia.)

5. Onko uunin sisällä oleva vesi kuumaa?

Jos vastaus on "Ei" johonkin yllä olevista kysymyksistä, tarkista

pistorasian toiminta ja sulake sähköpäätaulussasi. Jos sekä pistorasia että sulake toimivat oikein, OTA YHTEYTTÄ LÄHIMPÄÄN HYVÄKSYTTYYN HUOLTOKESKUKSEEN.

### **HUOLLON TURVATOIMET Varoitus:**

#### **MIKROAALTOSÄTEILY**

1. Suurjännitekondensaattoriin jää sähkövaraus irti kytkemisen jälkeen. Oikosulje suurjännitekondensaattorin negatiivinen napa uunin runkoon (käytä ruuvimeisseliä), jotta purat jännitteen ennen uunin koskettamista.

2. Alla lueteltuja osia joudutaan todennäköisesti irrottamaan huollon aikana, jolloin voi esiintyä yli 250 V:n jännitteitä maahan.

- Magnetroni
- Suurjännitemuuntaja
- Suurjännitekondensaattori
- Suurjännitediodi
- Suurjännitesulake

3. Seuraavat olosuhteet voivat aiheuttaa tarpeetonta mikroaaltoaltistusta huollon aikana.

- Magnetronin virheellinen asennus
- Luukun lukituksen, saranan ja luukun virheellinen sovitus
- Kytkimen tuen virheellinen asennus
- Luukku, luukun tiiviste tai kotelo on vaurioitunut.

## TEKNISET TIEDOT

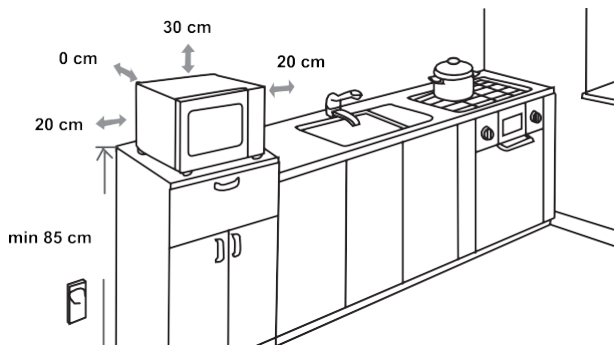
Virrankulutus .....	220-240 V ~50 Hz, 1280 W
Lähtöteho .....	800 W
Käyttötaajuus.....	2450 MHz
Ulkomitat.....	480 x 295 x 352 mm
Uunin tilavuus .....	23 litraa
Paino ilman laatikkoa.....	Noin 11.7 kg
Melutaso. ....	L c ≤ 61 dB (A)



**Tämä laite on merkitty sähkö- ja elektroniikkalaiteromua (WEEE) koskevan EU-direktiivin 2012/19/EU mukaisesti.**

**Tämä ohje on kehys Euroopan laajuiselle sähkö- ja elektroniikkalaiteromun palautuksen ja kierrätyksen voimassaololle.**

## ASENNUSMITAT





Mikroaaltouuni voi aiheuttaa häiriötä radiossa, televisiossa ja vastaavissa laitteissa. Mahdollisia häiriöitä voidaan poistaa tai vähentää seuraavilla toimenpiteillä.

- a) Puhdista uunin luukku ja tiivistepinta.
- b) Sijoita radio, televisio ja vastaavat laitteet mahdollisimman kauas mikroaaltouunista.
- c) Käytä radiossa, televisiossa ja vastaavissa laitteissa oikein asennettua antennia, jotta vastaanotettava signaali olisi mahdollisimman voimakas.

PIDÄTÄMME OIKEUDEN TEHDÄ MUUTOKSIA, JOTKA EIVÄT VAIKUTA LAITTEEN TOIMINNALLISUUTEEN.

## CHER CLIENT

Nous vous remercions sincèrement pour votre achat. Nous croyons que vous aurez bientôt de nombreuses raisons de faire réellement confiance à nos produits. Pour faciliter l'utilisation de l'appareil, nous mettons à votre disposition ce manuel d'instructions détaillé. Ces instructions vous aideront à vous familiariser avec votre nouvel appareil. Veuillez les lire attentivement avant d'utiliser l'appareil pour la première fois. Quoi qu'il en soit, veuillez vous assurer que l'appareil vous a été livré en bon état. Si vous constatez des dommages liés au transport, contactez votre représentant commercial ou l'entrepôt régional à partir duquel le produit a été livré. Vous trouverez le numéro de téléphone à contacter sur le reçu ou dans le rapport de livraison.

Nous vous souhaitons de profiter pleinement de votre nouvel appareil électroménager.



L'appareil est destiné à un usage domestique, pour chauffer des aliments et des boissons grâce à l'énergie électromagnétique, et est réservé à un usage intérieur.

## MODE D'EMPLOI

Ces instructions sont rédigées à l'intention de l'utilisateur. Elles décrivent le four à micro-ondes et comment l'utiliser. Elles s'appliquent également à différents types d'appareils. Vous pourriez donc y trouver des descriptions de fonctions qui ne s'appliquent pas à votre appareil.

Nous nous réservons le droit de modifier cette notice d'utilisation sans préavis et vous prions de nous excuser pour les erreurs qui auraient pu s'y glisser.



Ne touchez jamais les surfaces des appareils de chauffage ou de cuisson. Elles chaufferont en cours de fonctionnement. Maintenez les enfants à bonne distance de l'appareil afin de garantir leur sécurité. Ils risquent en effet de se brûler !



Énergie de micro-ondes et haute tension ! Ne retirez pas le couvercle.

**AVERTISSEMENT !** L'appareil et ses parties accessibles chauffent en cours d'utilisation. Il faut être prudent et éviter de toucher les éléments chauffants. Maintenez les enfants de moins de 8 ans à l'écart de l'appareil, sauf si vous les surveillez en permanence. Surveillez les enfants et veillez à ce qu'ils ne jouent pas avec l'appareil.

Les enfants à partir de 8 ans et les personnes disposant de capacités physiques, sensorielles ou mentales réduites, ou manquant d'expérience et de connaissances, peuvent utiliser cet appareil sous surveillance, à condition d'avoir reçu des instructions sur la manière de s'en servir en toute sécurité et d'avoir compris les risques auxquels ils s'exposent. Les enfants ne peuvent pas jouer avec l'appareil. L'appareil ne peut être nettoyé ou entretenu par des enfants, sauf s'ils ont plus de 8 ans et sont surveillés.

Gardez l'appareil et son cordon d'alimentation hors de la portée des enfants de moins de 8 ans.

- **AVERTISSEMENT :** lorsque l'appareil est utilisé en mode combiné, les enfants ne peuvent utiliser le four que sous la surveillance d'un adulte, en raison des températures générées ; (uniquement pour le modèle avec fonction gril)

- **AVERTISSEMENT** : si la porte ou les joints de la porte sont endommagés, le four ne peut être utilisé qu'après avoir été réparé par une personne compétente ;
- **AVERTISSEMENT** : il est dangereux pour toute personne non compétente d'effectuer une opération d'entretien ou de réparation impliquant le retrait d'une plaque mica qui fournit une protection contre l'exposition à l'énergie micro-ondes.
- **AVERTISSEMENT** : les liquides et autres aliments ne peuvent pas être chauffés dans des récipients scellés car ils sont susceptibles d'exploser.
- Surveillez les enfants et veillez à ce qu'ils ne jouent pas avec l'appareil.
- Ne retirez pas les pieds du four ; ne bloquez pas les arrivées d'air du four.
- Servez-vous uniquement d'ustensiles adaptés aux fours à micro-ondes.
- Si vous chauffez des denrées alimentaires dans des récipients en plastique ou en papier, gardez un œil sur le four car des flammes pourraient apparaître ;
- Si de la fumée se dégage, éteignez ou débranchez l'appareil et gardez la porte fermée afin d'étouffer les flammes ;
- Étant donné que l'ébullition peut survenir à retardement lorsque vous faites réchauffer des liquides au four à micro-ondes, soyez très prudent en manipulant le récipient ;
- Les biberons et bocaux pour bébés doivent être agités ou secoués et leur température doit être contrôlée avant la consommation, pour éviter les brûlures ;

- Ne chauffez pas d'œufs avec leur coquille ni d'œufs durs entiers dans un four à micro-ondes car ils peuvent exploser, parfois même après l'arrêt du four à micro-ondes ;
- Lorsque vous nettoyez les surfaces de la porte, des joints de porte ou du four, utilisez exclusivement des savons doux et non abrasifs ou des détergents appliqués avec une éponge ou un chiffon doux.
- Le four doit être nettoyé régulièrement et tout dépôt d'aliments doit être retiré.
- Le fait de ne pas maintenir le four dans un état de propreté pourrait entraîner une détérioration de la surface, et limiter la durée de vie de l'appareil voire, éventuellement, provoquer une situation dangereuse ;
- Si le câble d'alimentation est endommagé, faites le remplacer par le fabricant ou par un technicien du service après-vente agréé afin d'éviter tout risque éventuel.
- Ne laissez pas le cordon pendre sur le bord de la table ou sur le plan de travail.
- Ne connectez jamais cet appareil à une minuterie externe ou à un système de télécommande, pour éviter toute situation dangereuse.
- Ne remplacez jamais l'ampoule située à l'intérieur du four. Elle ne peut être remplacée que par le service Hisense.
- Ne nettoyez pas l'appareil avec des nettoyeurs à vapeur, des nettoyeurs à haute pression, des objets pointus, des produits de nettoyage abrasifs, des éponges abrasives ou des détachants.

Comme pour tous les appareils, vous trouverez ci-dessous quelques règles à suivre et mesures de protection pour que le four reste ultra performant :

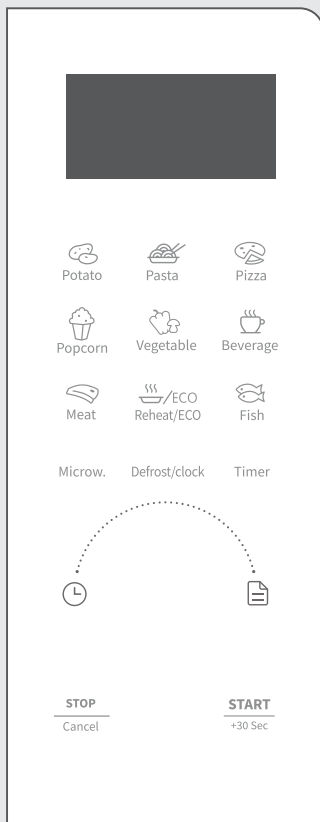
1. Lorsque vous utilisez le four, veillez toujours à ce que le plateau en verre, les bras à roulettes, le couplage et le rail à roulettes soient bien en place.
2. N'utilisez pas le four pour une raison autre que la préparation des aliments, comme pour sécher des vêtements, du papier ou tout autre article non alimentaire, ou à des fins de stérilisation.
3. N'utilisez pas le four lorsqu'il est vide. Cela pourrait l'endommager.
4. N'utilisez pas la cavité du four pour stocker tout type d'objets comme du papier, des livres de cuisine, etc.
5. Ne faites pas cuire d'aliments entourés d'une membrane, tels que les jaunes d'œufs, les pommes de terre, le foie de poulet, etc. sans les avoir au préalable percés plusieurs fois avec une fourchette.
6. N'insérez aucun objet dans les ouvertures du boîtier extérieur.
7. Ne retirez jamais du four des éléments comme les pieds, le couplage, les vis, etc.
8. Ne faites pas cuire les aliments directement sur le plateau en verre. Placez les aliments dans/sur un ustensile de cuisson approprié avant de les mettre au four.

**IMPORTANT - USTENSILES DE CUISINE À NE PAS UTILISER DANS VOTRE FOUR À MICRO-ONDES**

- N'utilisez pas de casseroles en métal ou de plats à poignées métalliques.
  - N'utilisez aucun objet à bordure métallique.
  - N'utilisez pas d'attaches métalliques recouvertes de papier sur les sacs en plastique.
  - N'utilisez pas de plats en mélamine car ils contiennent un matériau qui absorbe l'énergie des micro-ondes. Les plats peuvent se fendre ou se calciner, et le processus de cuisson sera alors ralenti.
  - N'utilisez pas de vaisselle Centura. Le glaçage ne convient pas pour une utilisation au micro-ondes. Les tasses à poignée fermée Corelle Livingware sont à éviter.
  - Ne cuisez pas dans un récipient à ouverture restreinte, comme une bouteille de soda ou une bouteille d'huile scellée, car ces récipients peuvent exploser lorsqu'ils sont chauffés au micro-ondes.
  - N'utilisez pas de thermomètres à viande ou à bonbons conventionnels.
  - Il existe des thermomètres spécifiques pour la cuisson au micro-ondes. Vous pouvez les utiliser.
9. Les ustensiles pour micro-ondes ne devraient être utilisés qu'en suivant les consignes du fabricant.
  10. N'essayez pas de faire frire des aliments dans ce four.
  11. N'oubliez pas qu'un four à micro-ondes ne chauffe que le liquide présent dans le récipient, et non le récipient lui-même. Par conséquent, même si le couvercle d'un récipient n'est pas

- chaud au toucher lorsque vous le retirez du four, n'oubliez pas qu'une fois le couvercle retiré, les aliments / liquides situés à l'intérieur libèrent la même quantité de vapeur et / ou d'éclaboussures que lors d'une cuisson traditionnelle.
12. Testez toujours vous-même la température des aliments cuits, surtout si vous chauffez ou cuisez des aliments/liquides pour bébés. Il est conseillé de ne jamais consommer d'aliments/de liquides directement sortis du four, mais de les laisser reposer quelques minutes, puis de les remuer pour répartir la chaleur uniformément.
  13. Les aliments contenant un mélange de graisse et d'eau, comme le bouillon, doivent reposer 30 à 60 secondes dans le four après que vous l'avez éteint. Cela permet au mélange de se reposer et d'éviter la formation de bulles lorsqu'une cuillère est placée dans l'aliment/le liquide, ou lorsque vous ajoutez un cube de bouillon.
  14. Lors de la préparation/cuisson des aliments/liquides, n'oubliez pas que certains aliments comme les puddings de Noël, la confiture et la viande hachée chauffent très rapidement. Lorsque vous chauffez ou cuisez des aliments riches en graisses ou en sucre, n'utilisez pas de récipients en plastique.
  15. Les ustensiles de cuisine peuvent chauffer à cause de la chaleur transmise par les aliments chauffés. C'est particulièrement vrai si une pellicule de plastique recouvre le dessus et les poignées de l'ustensile. Des mitaines peuvent être nécessaires pour manipuler l'ustensile.
  16. Afin de réduire le risque d'incendie dans le four :
    - a) Évitez de cuire les aliments trop longtemps. Surveillez attentivement le four si vous y avez inséré du papier, du plastique ou d'autres matières combustibles destinés à faciliter la cuisson.
    - b) Retirez les attaches métalliques des sacs avant de mettre ces derniers au four.
    - c) Si des matériaux situés à l'intérieur du four s'enflamment, gardez la porte du four fermée, éteignez le four à l'aide de l'interrupteur mural ou coupez l'alimentation sur le panneau de fusibles ou de disjoncteurs.

## FUNCTIONNEMENT DU PANNEAU DE COMMANDE



### DISPLAY

Affiche l'horloge, le temps de cuisson et le réglage.

### DEFROST

Utilisez cette touche pour décongeler les aliments en fonction du temps et du poids

### MICRO-ONDES

Utilisez cette touche pour sélectionner le niveau de puissance du micro-ondes.

### CLOCK

Maintenez cette touche enfoncée pendant 3 secondes pour régler l'horloge.

### TIMER

Utilisez cette touche pour régler la fonction de minuterie.

### ICÔNES

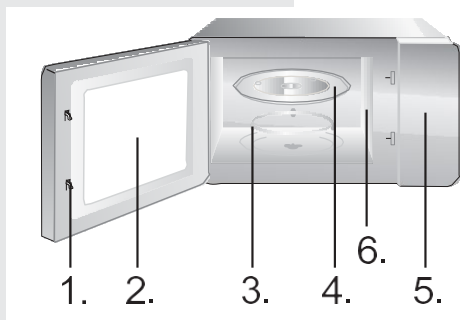
Utilisez ces touches pour régler l'heure et le poids des aliments et choisir les programmes de menu automatique.

### STOP/CANCEL

Utilisez cette touche pour arrêter ou annuler le réglage. Maintenez la touche enfoncée pendant 3 secondes pour activer la sécurité enfant.

### START/+30 SEC

Utilisez cette touche pour faire une cuisson rapide de 30 secondes, augmenter le temps de cuisson de 30 secondes (par chaque pression sur la touche), ou confirmer les paramètres de cuisson.



1. Système de verrouillage de sécurité pour la porte
2. Fenêtre du four
3. Anneau de roulement
4. Plateau en verre
5. Panneau de commande
6. Guide d'ondes (n'enlevez pas la plaque mica qui recouvre le guide d'ondes)



## FONCTION MICRO-ONDES

Le micro-ondes présente dix niveaux de puissance à savoir, respectivement : 100P, 90P, 80P, 70P, 60P, 50P, 40P, 30P, 20P et 10P. Tournez le bouton ci-dessous pour augmenter ou diminuer le temps de cuisson, la plage de temps pouvant être sélectionnée de 0:10 à 60:00. Après avoir sélectionné l'heure, appuyez sur le bouton « START/+30s » pour la mise en service. Un bourdonnement retentira pour signifier la fin de l'opération.

HIGH	Puissance de sortie de 100 % et 90 %	(Convient pour une cuisson rapide et approfondie)
M.High	Puissance de sortie de 80 % et 70 %	(Convient pour une cuisson moyenne et rapide)
Med	Puissance de sortie de 60 % et 50 %	(Convient pour une cuisson à la vapeur)
M.Low	Puissance de sortie de 40 % et 30 %	(Convient pour la décongélation d'aliments)
LOW	Puissance de sortie de 20 % et 10 %	(Convient pour maintenir la chaleur)

### Mise en garde

- La durée maximale réglable est 60 minutes
- Ne faites jamais fonctionner le four à vide.
- Si le micro-ondes fonctionne avec une puissance maximale, le four diminuera automatiquement la puissance après un certain temps de cuisson, afin d'allonger la durée de vie.
- Si vous tournez la nourriture pendant le fonctionnement, appuyez sur **START/+30s** une fois et la procédure de cuisson prédéfinie se poursuivra.

e. Si vous avez l'intention de retirer les aliments avant l'heure prédéfinie, vous devez appuyer une fois sur le bouton **STOP/CANCEL** pour effacer la procédure prédéfinie afin d'éviter tout fonctionnement involontaire lors de la prochaine utilisation.

---

**DEFROST/CLOCK  
DEFROST**

Il existe deux modes de décongélation à savoir, respectivement, dEF1 et dEF2. dEF1 est destiné à la décongélation en fonction du poids et dEF2 à la décongélation en fonction de l'heure. Appuyez sur ce bouton pour sélectionner la décongélation en fonction du poids ou de l'heure, et l'écran d'affichage indiquera « dEF1 » ou « dEF2 ». Tournez le bouton pour sélectionner le poids des aliments ou le temps de décongélation. La plage de poids de dEF1 est de 100 à 1500 g, et le temps maximum de dEF2 est de 60:00. Après avoir sélectionné le poids ou le temps de décongélation, appuyez sur le bouton « START/+30s » pour la mise en service. Un bourdonnement retentira pour signifier la fin de l'opération. Le mode de décongélation dEF1 en fonction du poids émettra un bip sonore pour vous inciter à retourner les aliments pendant la décongélation.

Voici quelques conseils concernant le temps de décongélation des aliments :

dEF1	Pour la décongélation, la gamme de poids va de 100 g à 1 500 g.
dEF2	Pour la décongélation, le temps maximum est de 60:00.



## Mise en garde

- a. Il est nécessaire de retourner l'aliment au cours du processus pour obtenir un effet uniforme.
- b. La décongélation dure généralement plus longtemps que la cuisson des aliments.
- c. Si l'aliment peut être coupé au couteau, le processus de décongélation peut être considéré comme terminé.
- d. Les micro-ondes pénètrent dans la plupart des aliments jusqu'à une profondeur d'environ 4 cm.
- e. Les aliments décongelés doivent être consommés dès que possible. Il n'est pas conseillé de les remettre au réfrigérateur et de les congeler à nouveau.

---

### CLOCK ( 24-heures )

En mode veille, appuyez sur le bouton « DEFROST/CLOCK » pendant plus de 3 secondes pour accéder à l'interface de réglage de l'horloge. L'écran d'affichage clignote en même temps en heures. L'heure peut être réglée en tournant le bouton. Après avoir réglé l'heure, appuyez brièvement sur le bouton « START/+30s » pour passer en mode minuterie de réglage. Les minutes peuvent être réglées en tournant le bouton. Après avoir réglé les minutes, appuyez à nouveau sur le bouton « START/+30s » pour quitter le mode de réglage.

## CUISSON AUTOMATIQUE

Il existe huit menus automatiques A.1 ~ A.8, à savoir, respectivement, pommes de terre, pâtes, pizza, popcorn, légumes, boissons, viande et poisson. Appuyez en continu sur le bouton « Menu » pour sélectionner le menu souhaité, puis tournez le bouton pour sélectionner le poids du menu. Après avoir sélectionné le poids de cuisson, appuyez sur le bouton « START/+30s » pour la mise en service. Un bourdonnement retentira pour signifier la fin de l'opération.

Affichage	Type	Méthode
A.1	<b>Pommes de terre</b>	Les poids proposés en option sont 250 g, 500 g et 750 g.
A.2	<b>Pâtes</b>	Les poids proposés en option sont 50 g, 100 g et 150 g.
A.3	<b>Pizza</b>	Les poids proposés en option sont 200 g et 400 g.
A.4	<b>Popcorn</b>	Le poids proposé en option est 100 g.
A.5	<b>Légumes</b>	Les poids proposés en option sont 200 g, 400 g et 600 g.
A.6	<b>Boissons</b>	Les poids proposés en option sont 1 tasse, 2 tasses ou 3 tasses, chacune ayant une capacité d'environ 250 ml.
A.7	<b>Viande</b>	Les poids proposés en option sont 200 g, 400 g et 600 g.
A.8	<b>Poisson</b>	Les poids proposés en option sont 200 g, 400 g et 600 g.



## Mise en garde

- a. La température des aliments avant la cuisson doit être de 20-25 °C. Toute augmentation ou diminution de la température des aliments avant la cuisson nécessiterait une augmentation ou une diminution du temps de cuisson.
- b. La température, le poids et la forme des aliments influenceront largement l'effet de cuisson. Si un écart a été constaté par rapport au facteur indiqué dans le menu ci-dessus, vous pouvez ajuster le temps de cuisson pour un résultat optimal.

---

## TIMER

En mode veille, appuyez sur ce bouton pour accéder à l'interface de réglage. L'icône de la fonction de compte à rebours et « 0:00 » s'afficheront sur l'écran d'affichage. Tournez le bouton pour régler l'heure, le temps maximum qui peut être entré est 60:00. Après avoir réglé l'heure, appuyez sur le bouton « START/+30s » pour lancer le compte à rebours. Un bourdonnement retentira pour signifier la fin de l'opération.

---

## RÉCHAUFFEMENT/ RÉCHAUFFEMENT ÉCO

La fonction de réchauffement est principalement destinée à aider les utilisateurs à chauffer les aliments en fonction du poids des aliments. Tournez le bouton pour sélectionner le poids approprié des aliments. Les poids proposés en option sont 200 g, 400 g, 600 g, 800 g et 1000 g. Après avoir sélectionné le poids, appuyez sur le bouton « START/+30s » pour la mise en service. Un bourdonnement retentira pour signifier la fin de l'opération.

---

## ÉCO

En mode veille, appuyez sur le bouton Reheat et maintenez-le enfoncé pendant 3 secondes pour activer ÉCO. L'affichage s'éteindra. Lorsque vous allumez ÉCO, appuyez sur n'importe quel bouton pour désactiver la fonction ÉCO.

---

## STOP

Pendant la cuisson, vous pouvez appuyer sur le bouton « STOP » pour annuler les réglages et revenir à l'état de veille. Pendant le fonctionnement du four à micro-ondes, vous pouvez appuyer sur le bouton « STOP » pour faire une pause. À l'état de veille, vous pouvez appuyer à nouveau sur le bouton « STOP » pour annuler la fonction et revenir à l'état de veille.

---

## START/+30s

Après avoir réglé le temps de cuisson ou le poids de la nourriture, appuyez sur le bouton « START/+30s » pour démarrer immédiatement le four à micro-ondes. Pendant le fonctionnement, vous pouvez appuyer sur le bouton « START/+30s » pour augmenter augmenter le temps de cuisson de 30 secondes, mais les modes menu et décongélation en fonction du poids ne permettent pas d'ajuster le temps. En état de pause, vous pouvez appuyer sur le bouton « START/+30s » pour reprendre le fonctionnement du four à micro-ondes avant le mode de cuisson.

---

## EXPRESS

En mode veille, une fois que la nourriture est insérée et que la porte est fermée, appuyez sur le bouton « START/+30s » pour démarrer rapidement le four à micro-ondes. Le temps de fonctionnement par défaut est 30 secondes. Pendant le fonctionnement, appuyez une fois sur le bouton « START/+30s », pendant 30 secondes. Un bourdonnement retentira pour signifier la fin de l'opération.

---

## FONCTION SÉCURITÉ ENFANT

Utilisez cette fonction pour verrouiller le panneau de commande lors du nettoyage du four ou pour que les enfants ne puissent pas utiliser le four sans surveillance. Dans ce mode, tous les boutons deviennent inopérants.

- 1) Activer le verrouillage : en mode veille, appuyez sur le bouton « STOP » pendant plus de 3 secondes. La fonction de verrouillage enfant est activée et aucun bouton du four à micro-ondes ne peut être actionné.
- 2) Désactiver le verrouillage : à l'état de verrouillage enfant, appuyez sur le bouton « STOP » pendant plus de 3 secondes pour annuler la fonction de verrouillage enfant.



## LIGNE DIRECTRICE SUR LES USTENSILES

Il est fortement recommandé d'utiliser des récipients adaptés et sûrs pour la cuisson au four à micro-ondes. Les récipients en céramique, verre ou plastique réfractaire sont, de manière générale, adaptés à la cuisson au four à micro-ondes. N'utilisez jamais les récipients métalliques pour la cuisson au four à micro-ondes et la cuisson combinée, car une étincelle peut se produire. Vous pouvez prendre la référence du tableau ci-dessous.

Matériau du récipient	Four à micro-ondes	Remarques
Céramique réfractaire	Oui	N'utilisez jamais les céramiques qui sont décorées avec un rebord en métal ou vitrées
Plastique réfractaire	Oui	Ne convient pas pour une cuisson de longue durée au four à micro-ondes.
Verre réfractaire	Oui	
Grille du gril	Non	
Film plastique	Oui	Il faut éviter de l'utiliser pour cuire de la viande ou des côtelettes car la surchauffe peut endommager le film.

Le résultat de la cuisson peut être affecté par les facteurs suivants :

### **Disposition des aliments**

Placez les zones plus épaisses vers l'extérieur du plat, la partie plus mince vers le centre et étalez-la uniformément. Évitez si possible de superposer les aliments.

### **Durée de cuisson**

Commencez la cuisson avec un réglage sur une courte durée, évaluez-le après son terme et prolongez-le en fonction du besoin réel. Une cuisson excessive peut entraîner de la fumée et des brûlures.

### **Cuire les aliments de façon uniforme**

Les aliments tels que le poulet, le hamburger ou le steak doivent être retournés une fois pendant la cuisson.

Selon le type d'aliment, le cas échéant, remuez-le de l'extérieur vers le centre du plat, une ou deux fois pendant la cuisson

### **Prévoir un temps de repos**

Une fois la cuisson terminée, laissez les aliments dans le four pendant une durée suffisante, ce qui leur permet de terminer leur cycle de cuisson et de refroidir progressivement

### **Pour savoir si la nourriture est prête,**

fiez vous à sa couleur et à son degré de dureté. Cela suppose que vous vérifiez notamment que :

- la vapeur émane de toutes les parties de l'aliment, et pas seulement du bord
- Les articulations de la volaille peuvent être déplacées facilement
- Le porc ou la volaille ne présente aucun écoulement de sang
- Le poisson est opaque et peut être tranché facilement avec une fourchette

### **Plat à rôtir**

Lorsque vous utilisez un plat de brunissage ou un récipient auto-chauffant, placez toujours un isolant résistant à la chaleur tel qu'une plaque de porcelaine sous celui-ci pour éviter d'endommager le plateau tournant et l'anneau rotatif.

### **Emballage plastique résistant au four à micro-ondes**

Lorsque vous cuisez des aliments à forte teneur en matières grasses, ne laissez pas l'emballage en plastique entrer en contact avec les aliments car il peut fondre.

### **Ustensile de cuisine en plastique résistant au four à micro-ondes**

Certains ustensiles de cuisine en plastique résistants au four à micro-ondes peuvent ne pas convenir à la cuisson d'aliments riches en matières grasses et en sucre. De plus, le temps de préchauffage spécifié dans le manuel d'instructions de la vaisselle ne peut être dépassé.

## **MAINTENANCE**

### **ENTRETIEN COURANT**

Veillez vérifier ce qui suit avant d'appeler les services.

1. Placez une tasse d'eau (environ 150 ml) dans une mesure de verre, à l'intérieur du four, et fermez la porte de manière sûre. Si la porte est fermée comme il se doit, la lampe du four devrait s'éteindre. Laissez le four fonctionner pendant 1 min.
2. La lampe du four s'allume-t-elle ?
3. Le ventilateur de refroidissement fonctionne-t-il ?  
(Placez votre main sur les ouvertures de ventilation arrière.)
4. Le plateau tournant tourne-t-il ?

(Le plateau tournant peut tourner dans le sens des aiguilles d'une montre ou dans le sens inverse. C'est tout à fait normal.)

5. L'eau à l'intérieur du four est-elle chaude ?

Si la réponse à l'une des questions ci-dessus est « NON », veuillez vérifier votre prise murale et le fusible dans votre boîte à compteurs. Si la prise murale et le fusible fonctionnent correctement, CONTACTEZ LE CENTRE DE SERVICE AGRÉÉ LE PLUS PROCHE.

## **GARANTIES D'ENTRETIEN**

### **Mise en garde : RAYONNEMENT MICRO-ONDES**

1. Le condensateur haute tension reste chargé après déconnexion ; court-circuitez la borne négative du condensateur haute tension au châssis du four (utilisez un tournevis) pour décharger avant de toucher.
2. Lors de l'entretien, les pièces énumérées ci-dessous sont susceptibles d'être retirées et permettent d'accéder à des potentiels supérieurs à 250 V à la terre.
  - Magnétron
  - Transformateur à haute tension
  - Condensateur à haute tension
  - Diode haute tension
  - Coupe-circuit à haute tension
3. Les conditions suivantes peuvent entraîner une exposition excessive aux micro-ondes pendant l'entretien.

- Mauvais montage du magnétron ;
- Mauvaise correspondance entre le verrouillage de la porte, la charnière de la porte et la porte ;
- Mauvais montage du support d'interrupteur ;
- La porte, le joint de porte ou l'enceinte a été endommagé(e).

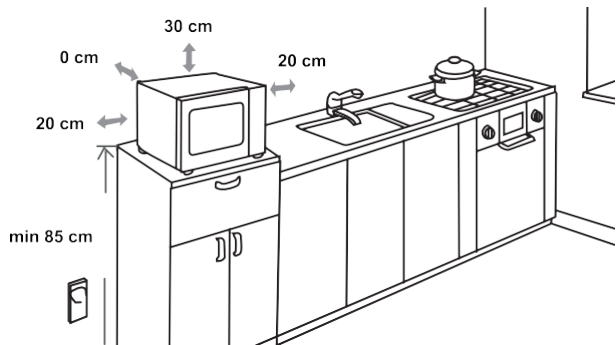
## CARACTÉRISTIQUES

Consommation électrique.....	220-240 V ~50 Hz, 1280 W
Puissance de sortie .....	800 W
Fréquence de fonctionnement.....	2450 MHz
Dimensions extérieures .....	480 x 295 x 352 mm
Capacité du four.....	23 litres
Poids sans emballage.....	Env. 11.7 kg
Niveau sonore .....	Lc ≤ 61 dB (A)



**Cet appareil est étiqueté conformément à la Directive européenne 2012/19/UE relative aux déchets d'équipements électriques et électroniques (DEEE). Cette directive encadre une validité à l'échelle européenne du retour et du recyclage des déchets d'équipements électriques et électroniques.**

## DIMENSIONS DE MONTAGE



## INTERFÉRENCES RADIO

Le four à micro-ondes peut causer des interférences avec votre radio, votre téléviseur ou tout équipement similaire. Les interférences éventuelles peuvent être supprimées ou diminuées en appliquant les procédures suivantes.

- a) Nettoyez la porte et la surface d'étanchéité du four.
- b) Placez la radio, la télévision, etc. aussi loin que possible de votre four à micro-ondes.
- c) Pour une bonne réception du signal, veillez à ce que l'antenne de votre radio, téléviseur, etc. soit installée correctement.

NOUS NOUS RÉSERVONS LE DROIT D'APPORTER  
TOUTE MODIFICATION QUI N'AFECTE PAS LE  
FONCTIONNEMENT DE L'APPAREIL.

# Hisense

## POŠTOVANI KUPČE

Iskreno vam zahvaljujemo na kupnji. Vjerujemo da ćete uskoro pronaći mnoštvo razloga kako se zaista možete osloniti na naše proizvode. Za lakše rukovanje uređajem prilažemo ove opsežne upute za uporabu.

Upute bi vam trebale pomoći u upoznavanju s vašim novim uređajem. Molimo vas da ih pažljivo pročitate prije prve uporabe.

Najprije provjerite jeste li primili neoštećen uređaj. Uočite li oštećenja nastala tijekom transporta, obratite se Vašem prodavaču ili kontaktirajte regionalno skladište iz kojeg je proizvod isporučen. Telefonski kontakt broj pronaći ćete na računu ili dostavnici.

Želimo Vam ugodno iskustvo s Vašim novim kućanskim uređajem.



Uređaj je namijenjen uporabi u kućanstvu, za zagrijavanje hrane i pića pomoću elektromagnetske energije, isključivo za uporabu u zatvorenom prostoru.

## UPUTE ZA UPORABU

Ove upute namijenjene su korisniku.

Opisuju uređaj i kako ga upotrebljavati. Također se primjenjuju na različite vrste uređaja, stoga možete pronaći neke opise funkcija koji se možda ne odnose na vaš uređaj.

Pridržavamo pravo do eventualnih izmjena i grešaka u uputama za uporabu.



Nikada ne dodirujte površine uređaja za grijanje ili kuhanje. Tijekom rada će postati veoma vruće. Držite djecu na sigurnoj udaljenosti. Postoji opasnost od opekлина!



Mikrovalno zračenje i visoki napon! Ne odstranjujte poklopac.

**UPOZORENJE!** Uređaj i njegovi dostupni dijelovi postaju vrući tijekom uporabe. Budite oprezni kako ne biste dodirivali elemente za zagrijavanje. Mala djeca (mlađa od osam godina) neka budu čitavo vrijeme pod nadzorom. Djecu uvijek valja nadzirati kako bi se osiguralo da se ne igraju uređajem.

Djeca starija od osam godina, kao i osobe smanjenih fizičkih, osjetilnih ili umnih sposobnosti ili osobe s nedostatkom znanja i iskustva, smiju upotrebljavati uređaj isključivo pod odgovarajućim nadzorom, odnosno ako su upoznate sa sigurnom uporabom uređaja i ako jasno razumiju opasnosti koje su povezane s uporabom uređaja. Djeci nemojte dozvoliti da se igraju uređajem. Čišćenje i održavanje koje provodi korisnik ne smije biti prepušteno djeci, osim ako nisu starija od 8 godina i pod nadzorom.

Uređaj i kabel držite izvan dosega djece mlađe od 8 godina.

- **UPOZORENJE:** kada uređaj radi u kombiniranom načinu rada, djeca smiju upotrebljavati pećnicu samo pod nadzorom odrasle osobe zbog nastalih temperatura; (samo za model s funkcijom roštilja)



- **UPOZORENJE:** ako su vrata ili brtve vrata oštećene, pećnica se ne smije upotrebljavati dok je ne popravi stručna osoba;
- **UPOZORENJE:** opasan je svaki popravak ili servis koji izvršava bilo koja druga osoba osim ovlaštenog servisera, a pri kojem je potrebno odstraniti poklopac za zaštitu od mikrovalnog zračenja.
- **UPOZORENJE:** tekućine i druge namirnice ne smiju se zagrijavati u zatvorenim posudama jer mogu eksplodirati.
- Djecu uvijek valja nadzirati kako bi se osiguralo da se ne igraju uređajem.
- Ne odstranjujte nožice (postolja) pećnice; ne pokrivajte odvod za prozračivanje.
- Upotrebljavajte samo posuđe prikladno za uporabu u mikrovalnim pećnicama.
- Ako zagrijavate hranu u plastičnim ili papirnatim posudama, nadzirite pećnicu zbog mogućnosti zapaljenja;
- Ako primijetite dim, isključite ili iskopčajte uređaj iz električne mreže i držite vrata zatvorenima kako biste zagušili mogući plamen;
- Zagrijavanje pića u mikrovalnoj pećnici može dovesti do odgođenog eruptivnog ključanja, stoga je potreban oprez pri rukovanju spremnikom;
- Sadržaj bočica za hranjenje i staklenki s dječjom hranom treba promiješati ili protresti, a prije konzumacije provjeriti temperaturu kako bi se izbjegle opekline;

- Jaja u ljusci i cijela tvrdo kuhana jaja ne smiju se zagrijavati u mikrovalnim pećnicama jer mogu eksplodirati, čak i nakon završetka zagrijavanja u mikrovalnoj pećnici;
- Kada čistite površine vrata, brtve i/ili unutrašnjost pećnice, upotrebljavajte samo blaga neabrazivna sredstva za čišćenje te ih nanosite spužvom ili mekom krpom.
- Pećnicu treba redovito čistiti i uklanjati sve naslage hrane;
- Ako pećnicu ne održavate čistom, može se oštetiti njezina površina, što može negativno utjecati na životni vijek uređaja i dovesti do opasne situacije;
- Ako je glavni kabel oštećen, mora ga zamijeniti proizvođač, njegov servisni agent ili druga kvalificirana osoba, kako bi se izbjegla opasnost.
- Ne dopustite da kabel visi preko ruba stola ili radne površine.
- Kako biste izbjegli opasne situacije, uređaj nikada nemojte spajati na vanjski prekidač s vremenskom sklopkom ili sustav daljinskog upravljanja.
- Nikada nemojte mijenjati žarulju unutar pećnice. Uvijek je treba zamijeniti Hisense servis.
- Nemojte čistiti uređaj parnim čistačima, visokotlačnim čistačima, oštrim predmetima, abrazivnim sredstvima za čišćenje, abrazivnim spužvama i sredstvima za uklanjanje mrlja.

U nastavku su navedena određena pravila i mjere zaštite koje, jednako kao i kod ostalih uređaja, treba slijediti kako bi se osigurala vrhunska učinkovitost ove pećnice:

1. Dok pećnica radi, stakleni pladanj, ručice valjka, sklopka i otvor za valjak trebaju biti na svom mjestu.
2. Pećnicu nemojte upotrebljavati ni iz kojeg drugog razloga osim za pripremu hrane, primjerice za sušenje odjeće, papira ili bilo kojeg drugog neprehrambenog proizvoda ili za sterilizaciju.
3. Nemojte uključivati pećnicu kada je prazna. To bi moglo oštetiti pećnicu.
4. Ne upotrebljavajte unutrašnjost pećnice za pohranu bilo kakvih predmeta, kao što su papiri, kuharice itd.
5. Nemojte kuhati hranu koja ima membranu, kao što su žumanjci, krumpir, pileća jetrica itd., a da je prethodno nekoliko puta ne probodete vilicom.
6. Nemojte umetati nikakve predmete u otvore s vanjske strane pećnice.
7. Ne odstranjujte dijelove iz/sa pećnice, kao što su nožice (postolja), spojnice, vijci itd.
8. Ne kuhajte hranu izravno na staklenom pladnju. Stavite hranu u/na odgovarajući pribor za kuhanje prije stavljanja u pećnicu.

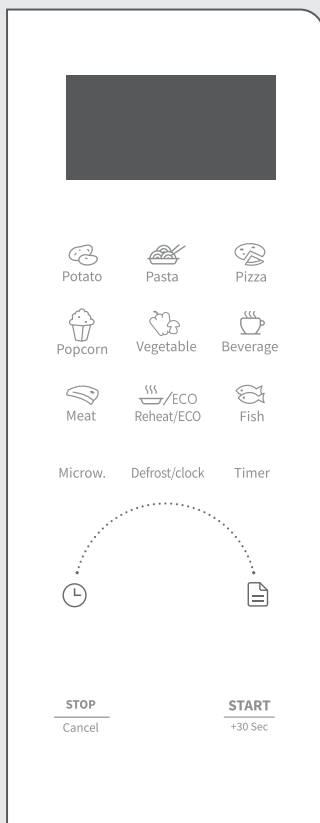
**VAŽNO - POSUĐE ZA KUHANJE KOJE SE NE UPOTREBLJAVA U MIKROVALNOJ PEĆNICI**

- Nemojte upotrebljavati metalno posuđe ili posuđe s metalnim ručkama.
  - Nemojte upotrebljavati ništa s metalnim ukrasima.
  - Nemojte upotrebljavati papirom prekrivenu žicu za zatvaranje plastičnih vrećica.
  - Nemojte upotrebljavati posuđe od melamina jer sadržava materijal koji će apsorbirati mikrovalnu energiju. To može uzrokovati pucanje ili karbonizaciju posuda i usporiti brzinu pripreme hrane.
  - Nemojte upotrebljavati Centura posuđe. Premaz (posuđe s premazom) nije prikladan za upotrebu u mikrovalnoj pećnici. Corelle Livingware zatvorene šalice s ručkom ne smiju se upotrebljavati.
  - Nemojte kuhati u posudi sa suženim otvorom, kao što je boca od soka ili zatvorena boca za ulje jer se mogu raspuknuti ako se zagrijavaju u mikrovalnoj pećnici.
  - Nemojte upotrebljavati obične termometre za pripremu mesa ili slatkisha.
  - Upotrijebiti možete samo termometre koji su namijenjeni isključivo pripremi hrane u mikrovalnoj pećnici. Oni se mogu upotrebljavati.
9. Pomagala za mikrovalnu pećnicu mogu se koristiti samo u skladu s uputama proizvođača.
  10. Ne pokušavajte pržiti hranu u ovoj pećnici.
  11. Imajte na umu da mikrovalna pećnica zagrijava samo tekućinu u posudi, a ne samu posudu. Stoga, iako poklopac posude nije

vruć na dodir kada se izvadi iz pećnice, imajte na umu da će hrana/tekućina u posudi ispuštati istu količinu pare i/ili kapljica kada se poklopac skine kao kod uobičajenog kuhanja.

12. Uvijek sami testirajte temperaturu kuhane hrane, osobito ako zagrijavate ili kuhate hranu/tekućinu za bebe. Preporučujemo da nikada ne konzumirate hranu/tekućinu izravno iz pećnice, već ostavite da odstoji nekoliko minuta te promiješate hranu/tekućinu kako bi se toplina ravnomjerno rasporedila.
13. Hrana koja sadržava mješavinu masti i vode, npr. temeljac, treba stajati 30 – 60 sekundi u pećnici nakon što je isključena. Tako ćete omogućiti da se mješavina slegne te ćete spriječiti izlazak mjehurića kada u hranu/tekućinu stavite žlicu ili ubacite kocku.
14. Pri pripremi/kuhanju hrane/tekućine imajte na umu da se neke namirnice, npr. božični puding, marmelada ili mljeveno meso, vrlo brzo zagrijavaju. Prilikom zagrijavanja ili kuhanja hrane s visokim udjelom masti ili šećera nemojte upotrebljavati plastične posude.
15. Pomagala za kuhanje mogu se zagrijati jer hrana otpušta toplinu. Naročito ako su vrh posude i ručke prekriveni plastičnom prevlakom. Za rukovanje priborom mogu biti potrebne rukavice za kuhanje.
16. Da biste smanjili rizik od požara u pećnici:
  - a) Nemojte prekuhati hranu. Pažljivo nadzirite proces zagrijavanja ako unutar pećnice stavite papir, plastiku ili druge zapaljive materijale kako bi se olakšala priprema hrane.
  - b) Odstranite žicu za zatvaranje vrećica prije nego što ih stavite u pećnicu.
  - c) Ako se materijali unutar pećnice zapale, držite vrata pećnice zatvorenima, isključite pećnicu iz električne mreže ili isključite glavni osigurač na ploči s osiguračima.

## RAD UPRAVLJAČKE PLOČE



### ZASLON

Prikazuje sat, vrijeme pripreme i postavke.

### ODMRZAVANJE

Upotrijebite ovu tipku za odmrzavanje hrane prema vremenu i težini

### MIKROV.

Upotrijebite ovu tipku za odabir razine snagemikrovalne pećnice.

### SAT

Držite ovu tipku 3 sekunde za podešavanje sata.

### TAJMER

Pomoću ove tipke podesite funkciju vremenskog programa.

### IKONE

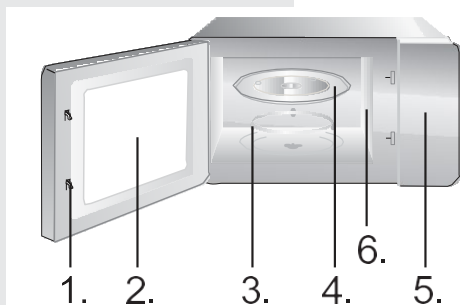
Pomoću ovih tipki podesite vrijeme i težinu hrane te odaberite programe automatskog izbornika.

### ZAUSTAVI/OTKAŽI

Koristite ovu tipku za zaustavljanje ili poništavanje postavke.

Držite 3 sekunde za dječju zaštitu START/+30 SEK

Koristite ovu tipku za brzi početak kuhanja od 30 sekundi, produljite vrijeme kuhanja za 30 sekundi (svakim pritiskom) ili potvrdite postavke kuhanja.



1. Sustav za sigurnosno zaključavanje vrata
2. Prozor pećnice
3. Ležajni obruč
4. Stakleni pladanj
5. Upravljačka ploča
6. Valovod (ne skidajte pločicu od tinjca koja pokriva valovod)

Postoji deset razina snage mikrovalova, 100P, 90P, 80P, 70P, 60P, 50P, 40P, 30P, 20P i 10P. Okrenite donji kotačić kako biste povećali ili smanjili vrijeme kuhanja, a vremenski raspon možete odabrati između 0:10 i 60:00. Nakon odabira vremena, pritisnite tipku "START/+30s." za početak rada. Zvučni signal obavještava o završetku rada.

VISOKO	100 % i 90 % izlazne snage	(Primjenjivo za brzo i temeljito kuhanje)
Srednje visoko	80 % i 70 % izlazne snage	(Primjenjivo za srednje brzo kuhanje)
Srednje	60 % i 50 % izlazne snage	(Primjenjivo za kuhanje hrane na pari)
Srednje nisko	40 % i 30 % izlazne snage	(Primjenjivo za odmrzavanje hrane)
NISKO	20 % i 10 % izlazne snage	(Primjenjivo za održavanje topline)

 **OPREZ**

- a. Najdulje vrijeme koje se može podesiti je 60 minuta
- b. Pećnicu nikad ne upotrebljavajte praznu.
- c. Pri maksimalnoj snazi mikrovalne pećnice, pećnica će automatski smanjiti snagu nakon određenog vremena kuhanja kako bi se produljio vijek trajanja.
- d. Ako tijekom rada okrećete hranu, pritisnite tipku **START/+30s** jednom i nastavit će se pohranjeni postupak kuhanja.

e. Namjeravate li ukloniti hranu prije podešenog vremena, morate jednom pritisnuti tipku **ZAUSTAVI/OTKAŽI** kako biste izbrisali pohranjeni postupak te izbjegli neželjeni rad sljedeći put.

**ODMRZAVANJE/  
VREMENSKO  
ODMRZAVANJE**

Postoje dva načina odmrzavanja, dEF1 i dEF2, tj. dEF1 za odmrzavanje prema težini i dEF2 za odmrzavanje prema vremenu. Pritisnite ovu tipku za odabir odmrzavanja prema težini ili vremenu, a na zaslonu će se prikazati "dEF1" ili "dEF2". Okrenite kotačić za odabir težine hrane ili vremena odmrzavanja. Raspon težine dEF1 je od 100 do 1500 g, a maksimalno vrijeme dEF2 je 60:00. Nakon odabira težine ili vremena odmrzavanja, pritisnite tipku "START/+30s" za početak rada. Zvučni signal obavještava o završetku rada. Tijekom načina odmrzavanja prema težini dEF1 oglasit će se zvučni signal kako bi vas podsjetio da preokrenete hranu.

U nastavku je nekoliko savjeta o vremenu odmrzavanja hrane:

dEF1	Za odmrzavanje, raspon težine je od 100 g do 1500 g.
dEF2	Za odmrzavanje, maksimalno vrijeme je 60:00.

 **OPREZ**

- a. Hranu je potrebno okrenuti tijekom odmrzavanja za ujednačen učinak.
- b. Za odmrzavanje je uobičajeno potrebno više vremena nego za kuhanje.
- c. Ako se hrana može rezati nožem, odmrzavanje se može smatrati završenim.
- d. Mikrovalovi prodiru oko 4 cm u većinu namirnica
- e. Odmrznutu hranu treba konzumirati što je prije moguće i ne savjetuje se vraćanje u hladnjak i ponovno zamrzavanje.

---

**SAT (24-satno vrijeme)**

U stanju pripravnosti pritisnite i držite tipku "ODMRZAVANJE/SAT" dulje od 3 sekunde za ulazak u sučelje za podešavanje sata. Istodobno, na zaslonu trepere sati. Sat se može podesiti okretanjem kotačića. Nakon podešavanja sata, kratko pritisnite tipku "START/+30s" kako biste se prebacili na podešavanje minuta.

Minute se mogu podesiti okretanjem kotačića.

Nakon podešavanja minuta, ponovno pritisnite tipku "START/+30s" za izlaz iz načina podešavanja.



Postoji osam automatskih izbornika A.1 ~ A.8, Krumpir, Tjestenina, Pizza, Kokice, Povrće, Piće, Meso i Riba. Kontinuirano pritisnite tipku "Izbornik" za odabir željenog izbornika, zatim okrenite kotačić za odabir težine u izborniku. Nakon odabira kuhanja prema težini, pritisnite tipku "START/+30s" za početak rada. Zvučni signal obavještava o završetku rada.

Zaslon	Vrsta	Metoda
A.1	Krumpir	Izborna težina je 250 g, 500 g i 750 g
A.2	Tjestenina	Izborna težina je 50 g, 100 g i 150 g
A.3	Pizza	Izborna težina je 200 g i 400 g
A.4	Kokice	Izborna težina je 100 g
A.5	Povrće	Izborna težina je 200 g, 400 g i 600 g
A.6	Piće	Izborna težina je 1 šalica, 2 šalice ili 3 šalice, svaka oko 250 ml.
A.7	Meso	Izborna težina je 200 g, 400 g i 600 g
A.8	Riba	Izborna težina je 200 g, 400 g i 600 g

 **OPREZ**

a. Temperatura hrane prije kuhanja trebala bi biti 20 - 25 °C. Viša ili niža temperatura hrane prije kuhanja zahtijevat će povećanje ili smanjenje vremena kuhanja.

b. Temperatura, težina i oblik hrane uvelike će utjecati na ishod kuhanja. Ako se utvrdi bilo kakvo odstupanje od čimbenika navedenih u gornjem izborniku, prilagodite vrijeme kuhanja kako biste postigli najbolji rezultat.

---

**TAJMER**

U stanju pripravnosti pritisnite ovu tipku za ulazak u sučelje za podešavanje i na zaslonu će se prikazati ikona funkcije odbrojavanja i "0:00". Okrenite kotačić za podešavanje vremena, maksimalno vrijeme koje se može unijeti je 60:00. Nakon podešavanja vremena pritisnite tipku "START/+30s" za početak odbrojavanja. Zvučni signal obavještava o završetku odbrojavanja

---

**PODGRIJAVANJE/  
ECO PODGRIJAVANJE**

Funkcija podgrijavanja uglavnom olakšava korisnicima zagrijavanje hrane prema težini hrane. Okrenite kotačić za odabir odgovarajuće težine hrane, izborne težine su 200 g, 400 g, 600 g, 800 g i 1000 g. Nakon odabira težine, pritisnite tipku "START/+30s." za početak rada. Zvučni signal obavještava o završetku rada.

---

**ECO**

U stanju pripravnosti pritisnite i držite tipku Podgrijavanje 3 sekunde za uključivanje ECO funkcije, a zaslon će se isključiti. Kad uključujete funkciju ECO, pritisnite bilo koju tipku kako biste isključili funkciju ECO.

---

**STOP**

U postupku podešavanja kuhanja možete pritisnuti tipku "STOP" za poništenje postavki i povratak u stanje pripravnosti. Tijekom rada mikrovalne pećnice možete pritisnuti tipku "STOP" za pauzu. U stanju pripravnosti možete ponovno pritisnuti tipku "STOP" za poništenje funkcije i povratak u stanje pripravnosti.

---

**START/+30s**

Nakon podešavanja vremena kuhanja ili težine namirnica, pritisnite tipku "START/+30s" kako biste odmah pokrenuli mikrovalnu pećnicu. Tijekom rada pećnice možete pritisnuti tipku "START/+30s" za povećanje vremena, pritisnite jednom za povećanje za 30 sekundi, ali način izbornika i način odmrzavanja težine ne mogu podesiti vrijeme. Tijekom pauze možete pritisnuti tipku "START/+30s" za nastavak rada mikrovalne pećnice prije načina kuhanja.

---

## EKSPRES

U stanju pripravnosti, nakon stavljanja hrane i zatvaranja vrata, pritisnite tipku "START/+30s" za brzo pokretanje mikrovalne pećnice. Zadano radno vrijeme je 30 sekundi. Tijekom rada pritisnite tipku "START/+30s" jednom na 30 sekundi. Zvučni signal obavještava o završetku rada.

---

## FUNKCIJA ZAKLJUČAVANJA ZA ZAŠTITU DJECE

Pomoću ove značajke zaključajte upravljačku ploču dok čistite ili kako djeca ne bi mogla upotrebljavati pećnicu bez nadzora. U ovom načinu rada sve su tipke onemogućene.

- 1) Podesite zaključavanje: U stanju pripravnosti pritisnite tipku "STOP" na više od 3 sekunde, funkcija blokade za djecu je zaključana i ne mogu se koristiti tipke mikrovalne pećnice.
- 2) Otkazite zaključavanje: U stanju blokade za djecu pritisnite tipku "STOP" na više od 3 sekunde kako biste poništili funkciju blokade za djecu.

## SMJERNICE ZA POSUDE

Preporučuje se korištenje posuda koje su prikladne i sigurne za kuhanje u mikrovalnoj pećnici. Općenito govoreći, posude koje su izrađene od keramike, stakla ili plastike otporne na toplinu prikladne su za kuhanje u mikrovalnoj pećnici. Nikada nemojte koristiti metalne posude za kuhanje u mikrovalnoj pećnici i kombinirano kuhanje jer može doći do iskrenja. Možete pogledati reference u donjoj tablici.

Materijal posude	Mikrotalasna pećnica	Bilješke
Keramika otporna na toplinu	Da	Nikada ne koristite keramiku koja je ukrašena metalnim rubom ili koja je ostakljena
Plastika otporna na toplinu	Da	Ne može se koristiti za dugotrajno kuhanje u mikrovalnoj pećnici
Staklo otporno na toplinu	Da	
Rešetka za roštilj	Ne	
Plastična folija	Da	Ne smije se koristiti prilikom pečenja mesa ili odrezaka, jer previsoka temperatura može oštetiti foliju

Sljedeći čimbenici mogu utjecati na rezultat kuhanja:

### **Raspored hrane**

Postavite deblje dijelove prema vanjskoj strani posude, tanji dio prema središtu i ravnomjerno ih rasporedite. Nemojte preklapati ako je moguće.

### **Vrijeme pečenja**

Započnite kuhanje s kratkom postavkom vremena, procijenite ga nakon isteka i produljite ga prema stvarnim potrebama. Prekomjerno kuhanje može uzrokovati dim i opekline.

### **Hranu kuhajte ravnomjerno**

Hranu kao što su piletina, hamburger ili odrezak treba okrenuti jednom tijekom kuhanja.

Ovisno o vrsti hrane, ako je to moguće, promiješajte je načinom od vanjskog dijela do sredine posude jednom ili dvaput tijekom kuhanja.

### **Dopustite vrijeme mirovanja**

Nakon isteka vremena kuhanja, ostavite hranu u pećnici odgovarajuće vrijeme, što joj omogućuje da dovrši svoj ciklus kuhanja i postupno se hladi.

### **U slučaju da je hrana gotova**

Boja i tvrdoća hrane pomažu utvrditi je li gotova, a to uključuje sljedeće:

- Para izlazi iz svih dijelova hrane, ne samo s ruba
- Zglobovi peradi mogu se lako pomicati
- Svinjetina ili perad ne sadrže tragove krvi
- Riba je neprozirna i može se lako odvajati vilicom

### **Posuda za pečenje**

Kada koristite posudu za pečenje ili posudu za samozagrijavanje, uvijek stavite pod nju izolator otporan na toplinu, kao što je porculanski tanjur, kako biste spriječili oštećenje rotirajućeg pladnja i rotirajućeg prstena.

### **Plastična folija koja se može koristiti u mikrovalnoj pećnici**

Prilikom pečenja hrane s visokim udjelom masti, ne dopustite da plastična folija dođe u dodir s hranom, jer se može rastopiti

### **Plastično posuđe koje se može koristiti u mikrovalnoj pećnici**

Neko plastično posuđe koje se može koristiti u mikrovalnoj pećnici možda nije prikladno za pečenje namirnica s visokim udjelom masti i šećera. Također, ne smije se prekoračiti vrijeme zagrijavanja navedeno u uputama za uporabu posuđa

## **ODRŽAVANJE**

### **SERVISIRANJE**

Prije kontaktiranja servisa, provjerite sljedeće.

1. Stavite jednu šalicu vode (pribl. 150 ml) u staklenu mjernu šalicu u pećnicu i čvrsto zatvorite vrata. Lampica pećnice treba se isključiti ako su vrata pravilno zatvorena. Ostavite pećnicu da radi 1 minutu.
  2. Svijetli li lampica pećnice?
  3. Radi li ventilator za hlađenje?  
(Stavite ruku preko stražnjih ventilacijskih otvora.)
  4. Okreće li se rotirajući pladanj?



(Rotirajući pladanj može se okretati u smjeru kazaljke na satu ili u suprotnom smjeru. To je sasvim normalno.)

5. Je li voda u pećnici vruća?

Ako je "NE" odgovor na bilo koje od gore navedenih pitanja, molimo provjerite zidnu utičnicu i osigurač u kutiji s osiguračima. Ako i zidna utičnica i osigurač ispravno funkcioniraju, OBRATITE SE NAJBЛИŽEM ODOBRENOM SERVISNOM CENTRU.

### **JAMSTVO SERVISIRANJA**

#### **Oprez: MIKROVALNO ZRAČENJE**

1. Visokonaponski kondenzator ostaje napunjen strujom nakon odspajanja; spojite kontakte negativnog terminala visokonaponskog kondenzatora i kućišta pećnice (pomoću odvijača) za elektrostatičko pražnjenje prije dodirivanja.
2. Tijekom servisiranja, dolje navedeni dijelovi mogu se ukloniti kako bi se omogućio pristup potencijalima iznad 250 V na uzemljenje.
  - Magnetron
  - Visokonaponski transformator
  - Visokonaponski kondenzator
  - Visokonaponska dioda
  - Visokonaponski osigurač
3. Sljedeći uvjeti mogu uzrokovati nepotrebnu izloženost mikrovalovima tijekom servisiranja.

- Nepravilno postavljanje magnetrona;
- Nepravilno podudaranje brave vrata, šarke vrata i vrata;
- Nepravilno postavljanje nosača prekidača;
- Oštećena su vrata, brtva vrata ili kućište.

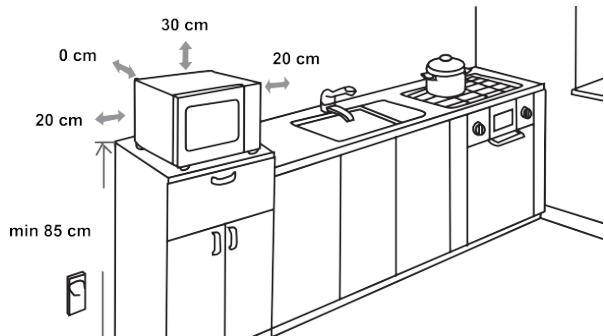
## SPECIFIKACIJE

Potrošnja energije . . . . .	220-240 V ~50 Hz, 1280 W
Izlazna snaga . . . . .	800 W
Radna frekvencija . . . . .	2450 MHz
Vanjske dimenzije . . . . .	480 x 295 x 352 mm
Kapacitet pećnice . . . . .	23 litara
Težina bez ambalaže . . . . .	Pribl. 11.7 kg
Razina buke . . . . .	Lc ≤ 61 dB (A)



**Ovaj uređaj označen je u skladu s europskom smjernicom 2012/19/EU o otpadnim električnim i elektroničkim uređajima (WEEE). Smjernica određuje okvir za povratak i zbrinjavanje otpadnih uređaja valjan u cijeloj Europskoj Uniji.**

## DIMENZIJE ZA UGRADNJU



Mikrovalna pećnica može prouzročiti smetnje vašem radiju, TV prijamniku ili sličnoj opremi. Ukoliko dođe do smetnji, moguće ih je otkloniti ili smanjiti nekim od sljedećih načina.

- a) Očistite vrata i brtvene površine pećnice.
- b) Postavite radio, TV prijamnik itd. što dalje od mikrovalne pećnice.
- c) Upotrijebite ispravno instaliranu antenu za Vaš radio, TV, itd. kako biste dobili snažan prijem signala.

ZADRŽAVAMO PRAVO NA IZMJENE KOJE NE UTJEČU  
NA FUNKCIONALNOST UREĐAJA.

## KEDVES VÁSÁRLÓNK!

Őszintén köszönjük a vásárlást! Hisszük, hogy hamarosan számos bizonyítékot talál majd arra, hogy valóban megbízhat termékeinkben. A készülék használatának megkönnyítése érdekében mellékeljük ezt az átfogó használati útmutatót.

Az útmutató segítségével kell hogy legyen új készüléke megismerésében. Kérjük, olvassa át figyelmesen a készülék első használata előtt.

Minden esetben győződjön meg arról, hogy a készüléket sértetlenül szállították ki Önnek. Ha szállítási sérülést észlel, forduljon az értékesítőhöz vagy a regionális raktárhoz, ahonnan a terméket kiszállították. A telefonszámot a számlán vagy a szállítólevélen találhatja meg.

Sok örömet kívánunk Önnek új háztartási készülékéhez!



Háztartásban történő használatra, élelmiszerek és italok elektromágneses energiával való melegítésére szolgáló készülék, kizárólag beltéri használatra.

## HASZNÁLATI ÚTMUTATÓ

Ez az útmutató a felhasználónak szól, a sütőt és annak használatát ismerteti. Különböző típusú készülékekre is vonatkozik, ezért előfordulhat, hogy olyan funkciók leírását is megtalálja benne, amelyek az Ön készülékére nem vonatkoznak.

Fenntartjuk a jogot a használati útmutató esetleges módosításaira és hibáira.



Soha ne érintse meg a fűtő- vagy sütőberendezések felületeit. Ezek működés közben felforrósodhatnak. A gyerekeket tartsa biztonságos távolságban! Fennáll az égésveszély!



Mikrohullámú energia & nagyfeszültség!  
Ne távolítsa el a burkolatot.

**FIGYELMEZTETÉS!** A készülék és hozzáférhető részei használat közben felforrósodnak. Ügyeljen rá, hogy ne érintse meg a fűtőelemeket. Tartsa távol a készüléktől a 8 évesnél fiatalabb gyerekeket, kivéve, ha folyamatos felügyeletük biztosított. A gyerekeket felügyelni szükséges, hogy ne játszhassanak a készülékkel.

A készüléket akkor használhatják 8 évesnél idősebb gyerekek, illetve csökkent fizikális, érzékszervi vagy mentális képességekkel rendelkezők, valamint megfelelő tudással és tapasztalattal nem bíró személyek, ha felügyeletük biztosított, vagy ha útmutatást kaptak a készülék biztonságos használatáról és megértették az ezzel járó veszélyeket. A gyerekek nem szabad, hogy játsszanak a készülékkel. A készülék tisztítását és karbantartását nem végezhetik gyerekek, kivéve ha 8 évesnél idősebbek és felügyeletük biztosított.

Tartsa távol a készüléket és annak kábelét a 8 évnél fiatalabb gyermekektől.

- **FIGYELMEZTETÉS:** Ha a készüléket kombinált üzemmódban működtetik, gyerekek csak felnőtt felügyelete mellett használhatják, a keletkező magas hőmérséklet miatt; (Csak a grill funkcióval rendelkező modellre vonatkozik)

- **FIGYELMEZTETÉS:**Ha az ajtó, vagy az ajtótomítések megsérültek, a sütőt nem szabad addig üzemeltetni, amíg egy hozzáértő személy meg nem javította.
- **FIGYELMEZTETÉS:** Az illetékes személyen kívül bárki más számára veszélyes lehet olyan szervizelési vagy javítási művelet elvégzése, amely a mikrohullámú energiának való kitétség elleni védőburkolat eltávolításával jár;
- **FIGYELMEZTETÉS:** folyadékokat és egyéb élelmiszereket tilos lezárt edényekben melegíteni, mert azok felrobbanhatnak.
- A gyermekeket felügyelni szükséges, hogy ne játszanak a készülékkel.
- Ne távolítsa el a sütő lábait, ne zárja el a sütő szellőzőnyílásait.
- Csak mikrohullámú sütőben való használatra alkalmas edényeket használjon.
- Ha az ételt műanyag vagy papír edényben melegíti, tartsa szemmel a sütőt, mert az ilyen dobozok meggyulladhatnak;
- Ha füstöt észlel, kapcsolja ki vagy húzza ki a készüléket és tartsa zárva az ajtót, a lángok elfojtása érdekében;
- Italok mikrohullámú melegítése késleltetett hirtelen forrást eredményezhet, ezért óvatosan kezelje az ilyen edényeket;
- A cumisüvegek és bébiételes üvegek tartalmát fogyasztás előtt fel kell keverni vagy fel kell rázni, és ellenőrizni kell a hőmérsékletet, az égési sérüléseket elkerülendő;

- Tojásokat héjastul és egész keményre főtt tojásokat nem szabad mikrohullámú sütőben melegíteni, mert szétrobbanhatnak, még a mikrohullámú melegítés befejezése után is;
- Az ajtófelületek, az ajtó tömítések és a sütőtér tisztítására csak kímélő, nem karcoló szappant vagy tisztítószer használjon, és szivaccsal vagy puha ruhával vigye fel ezeket a felületre.
- A sütőt rendszeresen kell tisztítani és minden étellerakódást el kell belőle távolítani;
- A sütő tisztán tartásának elmulasztása a felület károsodásához vezethet, ami hátrányosan befolyásolhatja a készülék élettartamát, és esetleg veszélyes helyzetet is eredményezhet.
- Ha a csatlakozó kábel megsérült, azt kizárólag a gyártó, annak márkaszervize vagy más, hasonló képesítéssel rendelkező személy cserélheti ki a veszélyek elkerülése érdekében.
- Ne hagyja, hogy a kábel túllógjon az asztal vagy a munkalap szélén.
- A veszélyes helyzetek elkerülése érdekében soha ne csatlakoztassa ezt a készüléket külső időkapcsolóhoz vagy távirányítóhoz.
- Soha ne cserélje ki a sütőben lévő izzót. Azt mindig a Hisense szerviznek kell kicserélnie
- Ne tisztítsa a készüléket gőztisztítóval, nagynyomású tisztítóval, éles tárgyakkal, súroló hatású tisztítószerekkel, valamint súroló szivaccsal és folteltávolítóval.

Az alábbiakban felsorolásra kerülnek, mint minden készüléknél, bizonyos szabályok, amelyeket be kell tartani a sütő legjobb teljesítményének biztosítása érdekében:

1. A sütő működése közben mindig legyen a helyén az üvegtálca, a görgők, a csatlakozó és a görgőgyűrű.
2. Ne használja a sütőt ételkészítésen kívül más célra, például ruha, papír vagy más, nem élelmiszer jellegű tárgy szárítására vagy sterilizálására.
3. Ne működtesse a sütőt üresen. Ez kárt okozhat a készülékben.
4. Ne használja a sütőteret semmilyen típusú tárolásra, például papírok, szakácskönyvek, stb. tárolására.
5. Ne főzzön hártáival körülvett ételt, például tojássárgáját, burgonyát, csirkemájat, stb. anélkül, hogy először villával több helyen átszúrta volna a hártáit.
6. Ne helyezzen semmilyen tárgyat a külső burkolat nyílásaiba.
7. Soha ne távolítson el alkatrészeket a sütőből, például lábakat, csatlakozókat, csavarokat, stb.
8. Ne főzzön ételt közvetlenül az üvegtálcán. A sütőbe helyezés előtt tegye az ételt megfelelő edénybe/edényre.

**FONTOS - A MIKROHULLÁMÚ SÜTŐBEN NEM HASZNÁLHATÓ EDÉNYEK:**

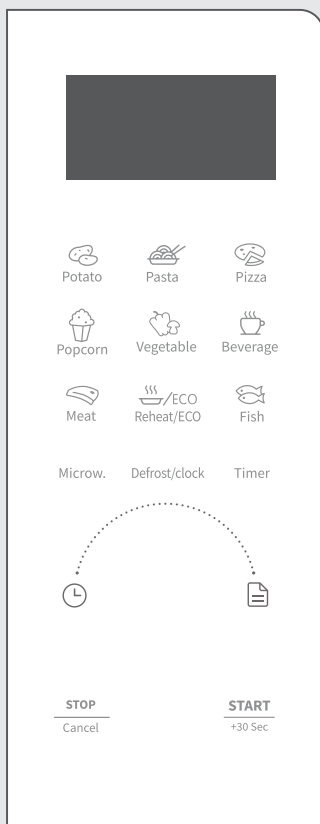
- Ne használjon fém, vagy fém füllel rendelkező edényeket.
  - Ne használjon semmi olyat, aminek fém szegélye van.
  - Műanyag zacskókon ne használjon papírral burkolt fém kapszokat.
  - Ne használjon melamin edényeket, mert olyan anyagot tartalmaznak, ami elnyeli a mikrohullámú energiát. Ez az edények megrepedését vagy elszenesedését okozhatja és lelassíthatja a főzés folyamatát.
  - Ne használjon Centura étkészletet. A máz nem alkalmas mikrohullámú sütőben való használatra. Corelle Livingware zárt fülű poharakat sem szabad használni.
  - Ne főzzön szűk nyílású edényben, például palackban, vagy, lezárt olajos üvegben, mert az ilyen edények felrobbanhatnak a mikrohullámú sütőben való hevítés hatására.
  - Ne használjon hagyományos hús- vagy cukor-hőmérőket.
  - Rendelkezésre állnak kifejezetten mikrohullámú sütéshez való hőmérők. Ezeket lehet használni.
9. A mikrohullámú edényeket csak a gyártó utasításainak megfelelően szabad használni.
  10. Ne próbálja meg olajban sütni ételeket ebben a sütőben.
  11. Ne feledje, hogy a mikrohullámú sütő csak az edényben lévő folyadékot melegíti, nem magát az edényt. Ezért annak ellenére, hogy az edény fedele tapintásra nem



forró, amikor kivesszük a sütőből, ne feledje, hogy a benne lévő étel/folyadék ugyanúgy gőzölöghet és / vagy kifröccsenhet, mint a hagyományos főzés esetében.

12. Mindig ellenőrizze a főtt étel hőmérsékletét, különösen, ha csecsemőknek melegít vagy főz ételt/folyadékot. Javasoljuk, hogy soha ne fogyasszon ételt/folyadékot közvetlenül a sütőből kivéve, hanem hagyja állni néhány percre, és keverje fel az egyenletes hőeloszlás érdekében.
13. A zsír és víz keverékét tartalmazó ételek, pl. az alaplé a készülék kikapcsolását követően még 30-60 másodpercig a sütőben kell hogy maradjanak. Erre azért van szükség, hogy a keverék leülepedjen és ne képződjenek buborékok, ha egy kanalat vagy egy leveskockát az ételbe/folyadékba teszünk.
14. Amikor ételt / folyadékot készít / főz, ne feledje, hogy vannak olyan ételek, mint például a karácsonyi puding, a dzsemek és darált húsok, amelyek nagyon gyorsan felmelegszenek. Magas zsír- vagy cukortartalmú ételek melegítésére vagy főzésére ne használjon műanyag edényeket.
15. A főzőedény a felmelegített étel hőátadása következtében felforrósodhat. Ez különösen igaz, ha műanyag fólia takarta az edény tetejét és fogantyúit. Az edény érintéséhez edényfogóra lehet szükség.
16. A sütőtérben a tűzveszély csökkentése érdekében:
  - a) Ne főzze túl az ételt. Felügyelje a mikrohullámú sütőt, ha papírt, műanyagot vagy más éghető anyagot helyez bele a főzés megkönnyítése érdekében.
  - b) Mielőtt a zacskókat a készülékbe helyezné, távolítsa el róluk a fém záróhuzalokat.
  - c) Ha a sütőben lévő anyagok meggyulladnak, tartsa zárva a sütő ajtaját, kapcsolja ki a készüléket a fali kapcsolóval, vagy kapcsolja le az áramellátást a biztosítéknál vagy a megszakítónál.

## A VEZÉRLŐ PANEL MŰKÖDÉSE



### KIJELZŐ

Mutatja az órát, a főzési időt és a beállítást.

### DEFROST

Ételek kiolvasztása időtartam vagy tömeg alapján.

### MICROW.

A mikrohullámú teljesítmény-fokozat kiválasztása.

### CLOCK

Tartsa 3 másodpercig nyomva a gombot az óra beállításához.

### TIMER

Az időzítés funkciók beállítása.

### IKONOK

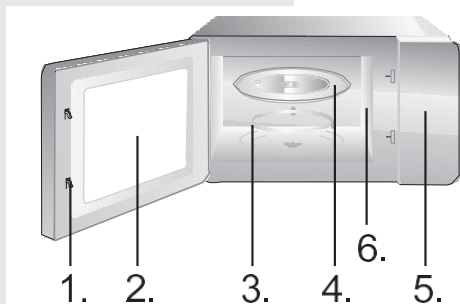
E gomb segítségével állítható be az idő és az ételek tömege, illetve választhatók ki az automatikus menü programjai.

### STOP/CANCEL

A beállítás leállítás vagy törlése. Tartsa nyomva 3 másodpercig a gyerekszár bekapcsolásához.

### START/+30 SEC

A főzés gyors elindítása 30 másodpercre, illetve a főzési idő növelése 30 másodperccel (a gomb minden egyes megnyomására), vagy a főzési beállítások jóváhagyása.



1. Ajtó biztonsági zár rendszer
2. Sütőablak
3. Görgőgyűrű
4. Üvegtálca
5. Vezérlő panel
6. Hullámvezető (kérjük, ne távolítsa el a hullámvezetőt borító csillámlemezt)

Tíz teljesítmény-fokozat áll rendelkezésre: 1,00P, 90P, 80P, 70P, 60P, 50P, 40P, 30P, 20P és 10P.

A főzési idő az alsó gomb elfogatásával növelhető vagy csökkenthető, 0:10 és 60:00 közötti időtartam választható ki.

Az idő beállítása után nyomja meg a "START/+30s" gombot a működés megkezdéséhez. A működés végét sípolás jelzi.

MAGAS	100% és 90% teljesítmény	(Gyors és alapos főzéshez)
K.magas	80% és 70% teljesítmény	(Közepesen gyors főzéshez)
Közepes	60% és 50% teljesítmény	(Ételek párolására)
K.alacsony	40% és 30% teljesítmény	(Ételek kiolvasztására)
ALACSONY	20% és 10% teljesítmény	(Melegen tartásra)

### FIGYELEM

- A maximális beállítható időtartam 60 perc
- Soha ne működtesse a sütőt üresen.
- Maximális mikrohullámú teljesítmény mellett a sütő bizonyos működési idő után automatikusan csökkenti a teljesítményt, élettartamának meghosszabbítása érdekében.
- Ha működés közben megfordítja az ételt, nyomja meg a **START/+30s** gombot egyszer

és a beállított működési idő folytatódni fog.

e. Ha a beállított idő letelte előtt szeretné eltávolítani az ételt a sütőből, nyomja meg a **STOP/CANCEL** egyszer a beállított folyamat törléséhez, elkerülendő a véletlen működést a következő alkalommal.

## KIOLVASZTÁS / KIOLVASZTÁS IDŐ ALAPJÁN

Két kiolvasztási üzemmód áll rendelkezésre:

dEF1 - kiolvasztás tömeg alapján és dEF2 - kiolvasztás idő alapján. Nyomja meg ezt a gombot a tömeg van idő alapján történő kiolvasztás kiválasztásához - a kijelzőn a "dEF1" vagy a "dEF2" felirat jelentik meg. A gomb elforgatásával állítsa be az étel tömegét vagy a kiolvasztás időtartamát. A dEF1 tömeg-tartománya 100g és 1500g között van, a dEF2 opcionális időtartománya pedig 0:10 és 60:00 között. A kiolvasztandó tömeg vagy az időtartam kiválasztása után nyomja meg a "START/+30s" gombot a kiolvasztás megkezdéséhez. A kiolvasztás végét sípolás jelzi. A DEF1 tömeg alapján történő kiolvasztásnál sípolás jelzi, amikor az ételt meg kell fordítani.

Alább néhány javaslat az ételek kiolvasztására:

dEF1	Kiolvasztás, tömeg-tartomány: 100 - 1500g.
dEF2	Kiolvasztás, maximális időtartam: 60:00.

## FIGYELEM!

- a. Az egyenletes hatás érdekében kiolvasztás közben az ételt meg kell fordítani.
- b. A kiolvasztás általában több időt igényel, mint az ételek megfőzése.
- c. Ha az étel késsel már elvágható, a kiolvasztási folyamat befejezettnek tekinthető.
- d. A mikrohullám a legtöbb ételbe 4 cm mélységben hatol be.
- e. A kiolvasztott ételt a lehető legrövidebb időn belül el kell fogyasztani, ismételt lefagyasztása nem javasolt.

---

### CLOCK (24 órás órabeállítás)

Készzenléti üzemmódban tartsa nyomva a "DEFROST/CLOCK" gombot legalább 3 mp-ig az óra beállításába való belépéshez.

Ezzel egyidőben a kijelzőn az órák villognak. Az órák a gomb elforgatásával állíthatók be. Az órák beállítása után nyomja meg röviden a "START/+30s" gombot a percek beállítására váltáshoz. A percek a gomb elforgatásával állíthatók be. A percek beállítása után nyomja meg ismét a "START/+30s" gombot a beállítás üzemmódból való kilépéshez.

## AUTOMATIKUS FŐZÉS

Nyolc automatikus menü áll rendelkezésre,

A1–A8: Burgonya, Tészta, Pizza, Popcorn, Zöldség, Ital, Hús és Hal.

Tartsa folyamatosan nyomva a “Menu” gombot a kívánt menü kiválasztásához, majd a gomb elforgatásával állítsa be az étel tömegét.

A tömeg beállítása után nyomja meg a “START/+30s” gombot a főzés megkezdéséhez.

A főzés végén sípolás lesz hallható.

Kijelző	Típus	Módszer
A.1	Burgonya	Az opcionális tömeg 250g, 500g és 750g
A.2	Tészta	Az opcionális tömeg 50g, 100g és 150g
A.3	Pizza	Az opcionális tömeg 200g és 400g
A.4	Popcorn	Az opcionális tömeg 100g
A.5	Zöldség	Az opcionális tömeg 200g, 400g és 600g
A.6	Ital	Az opcionális tömeg 1 csésze, 2 csésze vagy 3 csésze, egyenként 250 ml.
A.7	Hús	Az opcionális tömeg 200g, 400g és 600g
A.8	Hal	Az opcionális tömeg 200g, 400g és 600g

## FIGYELEM!

a. Az étel hőmérséklete főzés előtt 20–25°C legyen. Ha az étel hőmérséklete főzés előtt ennél magasabb vagy alacsonyabb, a főzés időtartama ezzel arányosan nő vagy csökken.

b. Az étel hőmérséklete, tömege és alakja nagymértékben befolyásolhatja a főzés eredményét. Ha a fenti táblázatban megadottakhoz képest bármilyen eltérést észlel, módosítsa a főzési idő a legjobb eredmény érdekében.

---

### TIMER

Készenléti üzemmódban nyomja meg ezt a gombot a beállításokba való belépéshez. A kijelzőn a visszaszámlálás ikon és a "0:00" lesz látható. Forgassa el a gombot az idő beállításához. A maximális beállítás 60:00. Az idő beállítása után nyomja meg a "START/+30s" gombot a visszaszámlálás megkezdéséhez. A visszaszámlálás végét sípolás jelzi.

---

## REHEAT/ECO

### REHEAT

A melegítés funkció elsősorban az élelmiszerek tömegének megfelelő melegítésre szolgál. Az étel tömegének beállításához forgassa el a gombot. A következő tömegek beállítása lehetséges: 200g, 400g, 600g, 800g és 1000g. A tömeg beállítása után nyomja meg a "START/+30s" gombot a működés megkezdéséhez. A folyamat végét sípolás jelzi.

---

### ECO

Készenléti üzemmódban nyomja meg és tartsa 3mp-ig nyomva a Reheat gombot az ECO funkció bekapcsolásához. A kijelző ekkor kialszik. Ha az ECO funkció be van kapcsolva, bármely gomb megnyomásával kikapcsolható.



---

## STOP

A főzési beállítások folyamata során a "STOP" gomb megnyomásával a beállítások törölhetők és a készülék készenléti üzemmódba állítható. A mikrohullámú sütő működése közben a "STOP" gomb megnyomására a működés leáll. Készenléti üzemmódban a "STOP" gomb ismételt megnyomására a funkció törlésre kerül és a készülék visszaáll készenléti üzemmódba.

---

## START/+30s

A főzési idő vagy az étel tömegének beállítása után nyomja meg a "START/+30s" gombot a működés azonnali elindításához. Működés közben a "START/+30s" gomb minden egyes megnyomására 30 mp-cel nő az időtartam, de menü üzemmódban és tömeg alapján történő kiolvasztásnál az idő nem módosítható. Szüneteltetés üzemmódban a "START/+30s" gomb megnyomására a működés folytatódik, a korábban beállított funkcióval.

---

## EXPRESSZ INDÍTÁS

Készenléti üzemmódban, az étel behelyezése és az ajtó bezárása után nyomja meg a "START/+30s" gombot a mikrohullám gyors elindításához. Az alapértelmezett működési idő 30 másodperc. Működés közben nyomja meg egyszer a "START/+30s" gombot további 30 másodperc hozzáadásához. A működés végét sípolás jelzi.

---

## GYEREKZÁR FUNKCIÓ

E funkció segítségével lezárhatja a vezérlő panelt tisztítás közben, vagy annak elkerülésére, hogy a gyerekek felügyelet nélkül használják a készüléket. Ennél az üzemmódnál minden gomb inaktív.

1) A zár aktiválása: Készenléti üzemmódban tartsa legalább 3 másodpercig nyomva a "STOP" gombot – ezzel a gyerekzár bekapcsolása megtörtént és a sütő gombjai inaktívvá váltak.

2) A zár kikapcsolása: Ha a gyerekzár be van kapcsolva, tartsa legalább 3 másodpercig nyomva a "STOP" gombot a zár kikapcsolásához

## EDÉNYHASZNÁLATI ÚTMUTATÓ

Kifejezetten javasolt mikrohullámon való használatra alkalmas és biztonságos edények használata. Általánosságban elmondható, hogy a hőálló kerámiából, üvegből vagy műanyagból készült edények alkalmasak mikrohullámon való használatra. Mikrohullám és kombinált főzési módok esetén soha ne használjon fém edényeket, mert szikra keletkezhet. Az alábbi táblázatban foglaltaknak megfelelően járhat el.

Edény anyaga	Mikrohullám	Megjegyzés
Hőálló kerámia	Igen	Soha ne használjon fém peremmel díszített vagy mázas kerámiát.
Hőálló műanyag	Igen	Nem használható hosszú ideig mikrohullámon.
Hőálló üveg	Igen	
Grillrács	Nem	
Műanyag fólia	Igen	Nem használható húsok sütésekor, mert a túlmelegedés károsíthatja a fóliát.

A következő tényezők befolyásolhatják a főzés eredményét:

### **Az ételek elrendezése**

A vastagabb részeket helyezze az edény szélére, a vékonyabbakat pedig a közepére, egyenletesen elosztva, lehetőleg átfedés nélkül.

### **A főzési idő hossza**

Kezdje a főzés egy rövidebb időbeállítással. Ha ez eltelik és szükségesnek látja, hosszabbítsa meg az időt. A túlsütés füstöt és égési sérülést okozhat.

### **Az ételek egyenletes átsütése**

Az olyan ételeket, mint a csirke, a hamburger, vagy a steak, sütés közben egyszer meg kell fordítani. Az étel típusától függően, adott esetben keverje meg egyszer-kétszer az edény szélétől a közepe felé haladva.

### **Hagyja állni az ételt**

Ha a főzési idő eltelt, pihentesse az ételt a sütőben egy ideig, hogy az átsülés befejeződjön és az étel fokozatosan hűljön.

### **Honnan tudható, hogy elkészült-e az étel?**

Az étel színe és keménysége segíthet annak eldöntésében, hogy elkészült-e már, ilyenek:

- Az ételből gőz áramlik ki, minden részéből, nem csak a széléből
- A baromfi ízületei könnyen mozgathatók
- A sertés- vagy baromfihús nem véres
- A hal átlátszatlan és villával könnyen szeletelhető

## **Pirítótál**

Amikor pirítótálat vagy önmelegedő edényt használ, mindig helyezzen alá egy hőálló szigetelőt, például porcelántányért, hogy elkerülje a forgótányér és a forgógyűrű sérülését.

### **Mikrohullámon használható műanyag fólia**

Magas zsírtartalmú ételek főzésekor ügyeljen arra, hogy a műanyag fólia ne érintkezzen étellel, mert megolvadhat.

### **Mikrohullámon használható műanyag edény**

Előfordulhat, hogy egyes, mikrohullámú sütőben használható műanyag edények nem alkalmasak magas zsír- vagy cukortartalmú ételek készítésére. Nem szabad túllépni az edény használati útmutatójában megadott előmelegítési időt.

## **SZERVIZELÉS**

Kérjük, ellenőrizze a következőket, mielőtt a szervizet hívná.

1. Helyezzen egy pohár (kb. 150ml) vizet üvegpohárban a sütőbe és zárja be ajtaját. Az ajtó bezárásakor a sütő világítása ki kell hogy aludjon. Működtesse a sütőt 1 percig.

2. Működik a sütő világítása?

3. Működik a hűtőventilátor?

(Helyezze a kezét a hátsó szellőzőnyílásokra.)

4. A forgótányér forog?

(A forgótányér az óramutató járásával megegyező és azzal ellentétes irányba is tud

forogni. Ez természetes.)

### 5. A sütőben lévő víz forró?

Ha a fentiek közül bármelyik kérdésre "NEM" a válasz, kérjük, ellenőrizze a fali aljzatot és a biztosítékot a kapcsolószekrényben.

Ha mind a fali aljzat, mind a biztosíték megfelelően működik, VEGYE FEL A KAPCSOLATOT A LEGKÖZELEBBI MÁRKASZERVIZZEL.

## **SZERVIZELÉSI ÓVINTÉZKEDÉSEK**

### **FIGYELEM: MIKROHULLÁMÚ**

#### **SUGÁRZÁS**

1. A nagyfeszültségű kondenzátor a leválasztás után is töltve marad; Zárja rövide a H.V kondenzátor negatív pólusát a sütő burkolatával (használjon csavarhúzó) hogy kisüljön, mielőtt hozzáér.
2. A szervizelés során az alábbiakban felsorolt alkatrészek eltávolításra kerülhetnek és 250V feletti feszültséghez juthatnak.

- Magnetron
- Nagyfeszültségű transzformátor
- Nagyfeszültségű kondenzátor
- Nagyfeszültségű dióda
- Nagyfeszültségű biztosíték

3. A következő körülmények túlzott mikrohullámnak való kitettséget okozhatnak a szervizelés során:

- A magnetron nem megfelelő felszerelése;
- Az ajtózárr, az ajtópánt és az ajtó nem megfelelő illeszkedése;
- A kapcsolótartó helytelen felszerelése;
- Az ajtó, az ajtó tömítés vagy a burkolat megsérült.

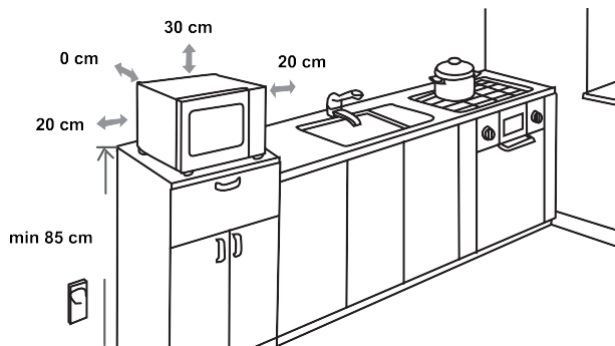
## MŰSZAKI ADATOK

Energiafelhasználás.....	220-240 V ~50Hz, 1280W
Kimeneti teljesítmény .....	800W
Működési frekvencia.....	2450MHz
Külső méretek .....	480x 295 x 352 mm
Sütő űrtartalom.....	...23 liter
Nettó tömeg.....	Kb. 11.7 kg
Zajszint.....	Lc ≤61 dB (A)



**Ez a készülék a hulladék elektromos és elektronikus berendezésekről (WEEE) szóló 2012/19/EU európai uniós irányelvnek megfelelően van jelölve. Ez az irányelv határozza meg a hulladék elektromos és elektronikus berendezések begyűjtésének és újrahasznosításának kereteit egész Európában.**

## BESZERELÉSI MÉRETEK



## RÁDIO INTERFERENCIA

A mikrohullámú sütő interferenciát okozhat a rádióban, TV-ben vagy más hasonló berendezésben. Ha interferencia lép fel, azt a következő módokon lehet kiküszöbölni vagy csökkenteni:

- a) Tisztítsa meg a sütő ajtaját és tömítéseit.
- b) Helyezze a rádiót, TV-t, stb. a lehető legtávolabb a mikrohullámú sütőtől.
- c) Használjon megfelelően felszerelt antennát a rádióhoz, TV-hez, stb., hogy erős jelet kapjon.

FENNTARTJUK A JOGOT BÁRMILYEN MÓDOSÍTÁSRA,  
AMELY NEM BEFOLYÁSOLJA A KÉSZÜLÉK MŰKÖDÉSÉT.

# Hisense



## KÆRI VIÐSKIPTAVINUR

Við þökkum þér kærlega fyrir kaupin. Við teljum að þú munir fljótlega átta þig á því að þú getur fyllilega treyst vörum okkar. Til að auðvelda notkun þessa tækis létum við fylgja með þessar ítarlegu leiðbeiningar.

Leiðbeiningarnar ættu að hjálpa þér að læra á nýja tækið þitt. Vinsamlegast lestu þær vandlega áður en þú notar tækið í fyrsta skipti.

Best er að ganga alltaf úr skugga um að tækið hafi verið afhent óskemmt. Ef þú finnur skemmdir skaltu hafa samband við sölufulltrúa þinn eða vöruhúsið sem varan var send úr. Þú finnur símanúmerið á kvittuninni eða afhendingarskýrslunni.

Við vonum að þú sért ánægð/ur með nýja heimilistækið þitt.



Tækið sem er ætlað til heimilisnota, til að hita mat og drykk með rafsegulorku er aðeins ætlað til notkunar innanhúss.

## NOTKUNARLEIÐBEININGAR

Þessar leiðbeiningar eru ætlaðar notandanum. Þær lýsa eldavélinni og hvernig á að nota hana. Þær eiga einnig við um mismunandi gerðir annara tækja og því gætir þú séð nokkrar lýsingar á eiginleikum sem eiga hugsanlega ekki við um tækið þitt.

Við áskiljum okkur rétt á öllum breytingum og villum í notkunarleiðbeiningum.



Snertið aldrei yfirborð tækja sem notuð eru til þess að hita eða elda mat. Það verður heitt meðan á notkun stendur. Haldið börnum í öruggri fjarlægð. Það er hættu á bruna!



Orka örbylgjuofns og há spenna! Ekki fjarlægja hlífina.

**VIÐVÖRUN!** Tækið og hlutar þess sem eru aðgengilegir hitna við notkun. Gæta skal varúðar til að snerta ekki hitagjafana. Börnum yngri en 8 ára skal haldið frá nema undir stöðugu eftirliti. Hafa skal eftirlit með börnum til að tryggja að þau leiki sér ekki með tækið.

Börn á aldrinum 8 ára og eldri geta notað þetta tæki, einnig getur það verið notað af einstaklingum með skerta líkamlega, skynræna eða andlega getu ásamt þeim sem eru einfaldlega með skort á reynslu og þekkingu ef þeir hafa fengið leiðsögn eða leiðbeiningar varðandi notkun tækisins

á öruggan hátt og að því gefnu að viðkomandi átti sig á hættunni sem því fylgir. Börn ættu ekki leika sér með tækið. Þrif og viðhald ætti ekki að vera framkvæmt af börnum nema þau séu eldri en 8 ára og undir eftirliti.

Geymið tækið og snúruna þar sem börn yngri en 8 ára ná ekki til.

- **VIÐVÖRUN:** Þegar tækið er notað í samsettri stillingu, ættu börn aðeins að nota ofninn undir eftirliti fullorðinna vegna þess hitastigs sem myndast; (Aðeins fyrir gerðina með grillstillingu)

- **VIÐVÖRUN:** Ef hurðin eða hurðarþéttingarnar eru skemmdar má ekki nota ofninn fyrr en hæfur aðili hefur gert við hann;
- **VIÐVÖRUN:** Það er hættulegt fyrir aðra en hæfa aðila að framkvæma þjónustu eða viðgerðir sem fela í sér að fjarlægja hlíf sem veitir vernd gegn örbylgjum;
- **VIÐVÖRUN:** Vökvi og önnur matvæli má ekki hita í lokuðum ílátum þar sem hættu er á að þau springi.
- Hafa skal eftirlit með börnum til að tryggja að þau leiki sér ekki með tækið.
- Ekki fjarlægja fætur ofnsins, ekki loka fyrir loftgöt ofnsins.
- Notið aðeins áhöld sem má nota í örbylgjuofnum.
- Þegar matur er hitaður í plast- eða pappírsílátum skal hafa auga með ofninum vegna hættu á eldsvoða;
- Ef þú sérð reyk, skaltu slökkva á eða taka tækið úr sambandi og halda hurðinni lokaðri til að kæfa allan eld;
- Upphitun drykkja í örbylgjuofni getur valdið yfirhitun (seinkun á suðu), því verður að gæta varúðar þegar ílátið er meðhöndlað;
- Æskilegt er að hræra innihald pela og barnamatskrukka og kanna hitastigið fyrir neyslu til að koma í veg fyrir bruna;

- Egg í skel og heil harðsoðin egg ætti ekki að hita í örbylgjuofnum þar sem þau geta sprungið, jafnvel eftir að örbylgjuhitun er lokið;
- Þegar yfirborð hurðar, hurðapéttingar eða holrúm ofnsins er hreinsað skal aðeins nota mildar sápur eða þvottaefni sem borið er á með svampi eða mjúkum klút.
- Ofninn ætti að hreinsa reglulega og allar matarleifar ættu að vera fjarlægðar;
- Ef ofninum er ekki haldið hreinum gæti það leitt til þess að yfirborðið versni sem gæti haft neikvæð áhrif á líftíma tækisins og hugsanlega leitt til hættulegra aðstæðna;
- Ef rafmagnssnúran skemmist verður framleiðandinn, þjónustuaðili hans eða sambærilegir aðilar að skipta henni út til að koma í veg fyrir hættu.
- Ekki láta snúruna hanga yfir brún borðsins eða vinnuborðsins.
- Aldrei tengja tækið við ytri tímamæli eða fjarstýringarkerfi til að koma í veg fyrir hættulegar aðstæður.
- Aldrei skipta um ljósaperuna inni í ofninum. Þónustuaðilar Hisense mega aðeins skipta um hana.
- Ekki hreinsa tækið með gufuhreinsitækjum, háþrýstitækjum, beittum hlutum, slípiefnum, slípisvömpum og blettahreinsum.

Hér að neðan eru, eins og með öll tæki, ákveðnar reglur og öryggisráðstafanir sem á að fylgja til að tryggja að þessi ofn virki sem best:

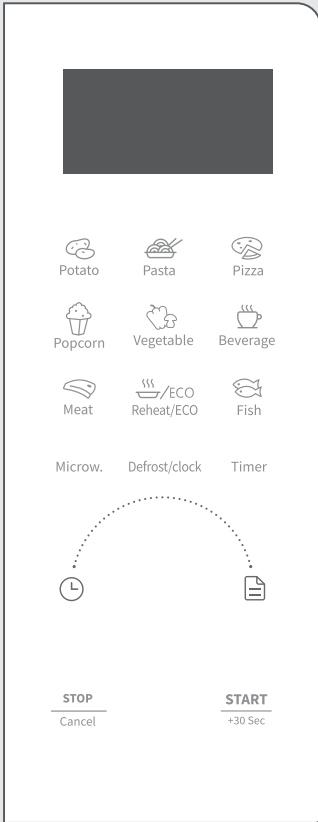
1. Hafðu glerbakkann, snúningsborðið, tengibrautina og rúllubrautina alltaf á sínum stað þegar ofninn er notaður.
2. Ekki nota ofninn í neitt annað en að undirbúa matvæli, svo sem í að þurrka föt, pappír eða aðra hluti sem ekki eru matvæli eða til þess að sótthreinsa.
3. Ekki nota ofninn þegar hann er tómur. Það gæti skemmt ofninn.
4. Ekki nota holrúm ofnsins sem geymslu, svo sem til að geyma pappíra, matreiðslubækur o.s.frv.
5. Ekki elda mat sem er umkringdur einhvers konar himnu án þess að gata hann nokkrum sinnum með gaffli, þetta á við um eggjarauður, kartöflur, kjúklingalifur o.s.frv.
6. Ekki setja neitt í opin á ytra hulstrinu.
7. Aldrei fjarlægja hluti úr ofninum, svo sem fæturna, tenginguna, skrufurnar o.s.frv.
8. Ekki elda mat án ílást á glerbakkanum. Setjið mat í ílát eða á viðeigandi eldunaráhöld áður en hann er settur í ofninn.

**MIKILVÆGT - ELDHÚSÁHÖLD SEM MÁ EKKI LÁTA Í ÖRBYLGJUOFNINN**

- Ekki nota málmönnur eða diska með málmhandföngum.
  - Ekki nota neitt með málmklæðningu.
  - Ekki nota pappírshúðaðar vírfestingar fyrir plastpoka.
  - Ekki nota melamín diska þar sem þeir innihalda efni sem mun drekka í sig örbylgjuorku. Þetta getur valdið því að diskarnir brotni eða brenni, þetta mun einnig hægja á eldunarhraða.
  - Ekki nota Centura borðbúnað. Það má ekki nota hann í örbylgjuofni vegna glerungsins. Ekki skal nota Corelle Livingware bolla með lokuðu handfangi.
  - Ekki elda mat í ílátum með loki, svo sem í gosflöskum eða olíuflöskum, þar sem þau geta sprungið ef þau eru hituð í örbylgjuofni.
  - Ekki nota hefðbundna kjöt- eða sælgætishitamæla.
  - Það eru til hitamælar sem eru gerðir sérstaklega fyrir matreiðslu í örbylgjuofni. Það má nota þá.
9. Örbylgjuofnaáhöld skal aðeins nota í samræmi við leiðbeiningar framleiðanda.
  10. Ekki reyna að djúpsteikja mat í þessum ofni.
  11. Vinsamlegast hafðu í huga að örbylgjuofnar hita aðeins vökvann í ílátinu frekar en ílátið sjálft. Þess vegna, jafnvel þótt lokið á ílátinu sé ekki

- heitt þegar þú snertir það til að taka það úr ofninum, skaltu hafa í huga að maturinn eða vökvinn í því mun losa sama magn af gufu eða spýta sama magni af vökva eins og þegar lokið er fjarlæggt í hefðbundinni matreiðslu.
12. Athugaðu alltaf hitastig matar sjálfur, sérstaklega ef þú ert að hita eða elda mat eða vökva fyrir börn. Æskilegt er að neyta aldrei matar eða vökva beint úr ofninum heldur frekar að leyfa honum að standa í nokkrar mínútur og hræra í honum til að dreifa hitanum jafnt.
  13. Matur sem inniheldur blöndu af fitu og vatni, t.d. matarkraftur, ætti að standa í 30-60 sekúndur í ofninum eftir að það hefur verið slökkt á honum. Þetta er gert til að blandan nái að setjast og til að koma í veg fyrir suðu þegar skeið er sett í matinn eða vökvann eða matarkrafti er bætt við.
  14. Þegar þú undirbýrð eða eldar mat eða vökva og manst að það eru ákveðin matvæli, td jólatertur, sultur eða hakk, sem hitast mjög fljótt. Þegar þú hitar eða eldar matvæli með hátt fitu- eða sykurrinnihald skaltu ekki nota plastílát.
  15. Eldunaráhöld geta orðið heit vegna hita sem flyst frá matnum. Þetta á sérstaklega við ef plastumbúðir hafa verið á toppnum eða á handföngum áhaldsins. Ofnhanskar gætu verið nauðsynlegir til að meðhöndla áhaldið.
  16. Til að draga úr hættu á eldi í holrúmi ofnsins:
    - a) Skal ekki ofelda mat. Fylgstu varlega með örbylgjuofninum ef pappír, plast eða önnur eldfim efni eru sett inn í ofninn til að auðvelda eldun.
    - b) Fjarlægjið vírfestingar af pokum áður en pokinn er settur í ofninn.
    - c) Ef það kviknar í efnum inni í ofninum skaltu halda ofnhurðinni lokaðri, slökkva á ofninum með því að taka úr sambandi eða slökkva á rafmagninu á rafmagnstöflunni.

# NOTKUN STJÓRNBORÐS



## SKJÁR

Sýnir klukkuna, eldunartíma og stillingu.

## ÞÍÐA

Notaðu þennan takka til að þíða matinn eftir tíma og þyngd.

## ÖRBYLGJUO

Notaðu þennan takka til að velja orkustig örbylgjuofnsins.

## KLUKKA

Haltu þessum takka inni í 3 sekúndur til að stilla klukkuna.

## NIÐURTALNING

Notaðu þennan takka til að stilla niðurtalningu.

## TÁKN

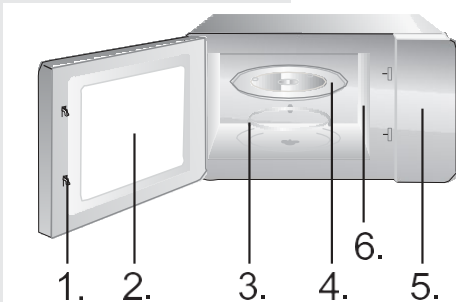
Notaðu þessa takka til að stilla tíma og þyngd matar og til að velja sjálfvirkar stillingar úr valmyndinni.

## STÖÐVA/HÆTTA VIÐ

Notaðu þennan takka til að stöðva eða hætta við stillinguna. Haltu honum inni í 3 sek til að virkja barnalæsingu

## BYRJA/+30 SEK

Notaðu þennan takka til að byrja 30 sekúndna eldunartíma, auka eldunartíma um 30 sekúndur (í hvert sinn sem þú ýtir) eða til að staðfesta eldunarstillingar.



1. Öryggislæsing hurðar
2. Ofngluggi
3. Snúningshringur
4. Glerbakki
5. Stjórnborð
6. Bylgjuleiðarvísir (vinsamlegast fjarlægðu ekki glimmerplötuna sem hylur bylgjuleiðarvísinn)

Þessi örbylgju ofn er með tíu orkustillingar, 100P, 90P, 80P, 70P, 60P, 50P, 40P, 30P, 20P og 10P, eftir því sem við á. Snúðu hnappnum hér að neðan til að auka eða minnka eldunartíma, hægt er að velja tímastillingu á milli 0:10 og 60:00. Eftir að þú hefur valið tímastillingu skaltu ýta á „BYRJA/+ 30s“ takkann til að byrja. Suð hljóð mun tilkynna að aðgerðinni sé lokið.

HÁTT	100% og 90% útafl	(Gildir fyrir fljótlega og öfluga matreiðslu)
Meðal há	80% og 70% útafl	(Á við um meðal hraðeldun)
Miðlungs	60% og 50% útafl	(Á við um gufusoðinn mat)
Meðal lág	40% og 30% útafl	(Á við um mat sem þarf að þíða)
LÁG	20% og 10% útafl	(Á við um mat sem þarf að halda á hita)

 **VARÚÐ**

- Hámarkstími sem hægt er að stilla er 60 mínútur
- Aldrei nota ofninn tóman.
- Við hámarks orkustig örbylgjuofnsins mun ofninn sjálfkrafa lækka kraftinn eftir ákveðinn tíma til að lengja endingartíma.
- Ef þú snýrð matnum meðan á notkun stendur skaltu ýta á **BYRJA/+30s** takkann einu sinni og sú eldunarstilling sem var valin heldur áfram.



## ÞÍÐING/TÍMASTILLT ÞÍÐING

e. Ef þú ætlar að fjarlægja matinn fyrir stilltan tíma skaltu ýta á **STÖÐVA/HÆTTA VIÐ** takkann til að hreinsa þá stillingu sem var valin til að koma í veg fyrir óviljandi notkun næst þegar ofninn er notaður.

Það eru tvær þíðingarstillingar, dEF1 og dEF2, eftir því sem við á. dEF1 fyrir þíðingu miðað við þyngd og dEF2 fyrir þíðingu miðað við tíma. Ýttu á þennan takka til að velja þíðingu eftir þyngd eða tíma og skjárin mun sýna „dEF1“ eða „dEF2“. Snúðu hnappnum til að velja þyngd matar eða tíma þíðingar. Þyngdarábil dEF1 er frá 100 til 1500g og hámarkstími dEF2 er 60:00. Eftir að þú hefur valið þíðingarþyngd eða tíma skaltu ýta á „BYRJA/+30s“ hnappinn til að byrja. Suð hljóð mun tilkynna að aðgerðinni sé lokið. dEF1 þíðingarstillingin eftir þyngd mun gefa frá sér píphljóð til að segja þér að snúa matnum við meðan á þíðingu stendur.

Hér að neðan eru nokkur ráð um þíðingu matar:

dEF1	Fyrir þíðingu er þyngdarábilið 100 til 1500g.
dEF2	Hámarks tími fyrir þíðingu er 60:00.

## VARÚÐ

- a. Nauðsynlegt er að snúa matnum við meðan á notkun stendur til að fá jöfn áhrif.
- b. Að þíða matinn tekur yfirleitt lengri tíma en að elda matinn.
- c. Ef hægt er að skera matinn með hníf, má líta svo á að þíðingarferlinu sé lokið.
- d. Örbylgjur komast um það bil 4 cm inn í flest matvæli
- e. Þíð matvæli skal neyta eins fljótt og auðið er, það er ekki æskilegt að setja þau aftur í kæli til frystingar.

---

### **KLUKKA** (24-tíma klukka)

Í biðstöðu, ýttu á og haltu niðri

„AFÞÍÐA/KLUKKA“ takkanum í meira en 3

sekúndur til að fara í klukkustillingarviðmótið. Á sama tíma munu klukkutímarnir blikka á skjánum.

Er hægt að stilla klukkutímanna með því að snúa hnappnum. Eftir að klukkutíminn er stilltur skaltu ýta á „BYRJA/+ 30s“ takkann í stuttan tíma til að skipta yfir í mínútustillingu.

Hægt er að stilla mínúturnar með því að snúa hnappnum. Eftir að hafa stillt mínúturnar skaltu ýta á „BYRJA/+ 30s“ takkann aftur til að fara úr stillingarham.

**SJÁLFVIRKAR  
ELDUNARSTILLINGAR**

Það eru átta sjálfvirkar stillingar A.1~A.8, Kartöflur, Pasta, Pizza, Poppkorn, Grænmeti, Drykkir, Kjöt og Fiskur eftir því sem við á. Ýttu á „valmynd“ takkann eins oft og þú þarft til að velja viðeigandi stillingu svo skaltu snúa hnappnum til að velja þyngd stillingarinnar. Eftir að þú hefur valið eldunarþyngdina skaltu ýta á „BYRJA/+ 30s“ takkann til að byrja. Suð hljóð mun tilkynna að aðgerðinni sé lokið.

Skjár	Tegund	Aðferð
A. 1	Kartöflur	Þyngdir sem hægt er að velja um, 250g, 500g og 750g
A.2	Pasta	Þyngdir sem hægt er að velja um, 50g, 100g og 150g
A.3	Pizza	Þyngdir sem hægt er að velja um, 200g og 400g
A.4	Poppkorn	Þyngdin sem hægt er að velja er 100g
A.5	Grænmeti	Þyngdir sem hægt er að velja um, 200g, 400g og 600g
A.6	Drykkir	Þyngdir sem hægt er að velja um, 1 bolli, 2 bollar eða 3 bollar, hver er um það bil 250ml.
A.7	Kjöt	Þyngdir sem hægt er að velja um, 200g, 400g og 600g
A.8	Fiskur	Þyngdir sem hægt er að velja um, 200g, 400g og 600g

## VARÚÐ

a. Hitastig matar fyrir matreiðslu ætti að vera 20-25°C. Hærra eða lægra hitastig matar áður en hann er eldaður myndi verða til þess að auka eða minnka þyrfti eldunartímans.

b. Hitastig, þyngd og lögun matvæla mun að miklu leyti hafa áhrif á matreiðsluna. Ef þú finnur einhver frávik frá stuðulinum sem fram kemur á valmyndinni hér að ofan geturðu stillt eldunartímans til að ná sem bestum árangri.

---

## NIÐURTALNING

Í biðstöðu skaltu ýta á þennan takka til að slá inn stillingarviðmótið, niðurtalningaraðgerðartáknið og „0:00“ birtist á skjánum. Snúðu hnappinum til að stilla tímann, hámarkstími sem hægt er að slá inn er 60:00. Eftir að hafa stillt tímann skaltu ýta á „START/+30s“ hnappinn til að hefja niðurtalninguna. Suð hljóð mun gefa til kynna að niðurtalningu sé lokið

---

**ENDURHITUN/  
VISTVÆN ENDURHITUN**

Endurhitunaraðgerð er aðallega til að auðvelda notendum að hita mat í samræmi við þyngd matar, snúðu hnappinum til að velja viðeigandi þyngd, þyngd sem hægt er að velja um er, 200g, 400g, 600g, 800g og 1000g. Eftir að þú hefur valið þyngd skaltu ýta á „BYRJA/+ 30s“ takkann til að byrja. Suð hljóð mun tilkynna að aðgerðinni sé lokið.

---

**VISTVÆN  
(ECO)**

Í biðstöðu skaltu ýta á og halda niðri endurhita takkanum í 3s til að kveikja á VISTVÆN og skjáriinn mun slökkva á sér. Þegar kveikt er á VISTVÆN geturðu ýttu á hvaða takka sem er til að slökkva á VISTÆNU stillingunni.

---

## STÖÐVA

Á meðan eldun stendur getur þú ýtt á „STÖÐVA“ hnappinn til að hætta við stillingar og fara aftur í biðstöðu. Á meðan kveit er á örbylgjuofninum getur þú ýtt á „STÖÐVA“ takkann til að gera hlé. Í biðstöðu getur þú ýtt á „STÖÐVA“ takkann aftur til að hætta við aðgerðina og fara aftur í biðstöðu.

---

## BYRJA/+30s

Eftir að þú hefur stillt eldunartímann eða þyngd matarins skaltu ýta á „BYRJA/+30s“ takkann til að kveikja á örbylgjuofninum strax. Þegar kveikt er á honum getur þú ýtt á „BYRJA/+30s“ takkann til að auka tímann, ýttu einu sinni til að auka 30 sekúndur, þú getur ekki breytt tíma valmyndarstillingar og þyngdarstillingar. Í hléi getur þú ýtt á „BYRJA/+30s“ takkann til að kveikja aftur á örbylgjuofninum.

---

**HARÐ**

Í biðstöðu, eftir að maturinn er settur inn og hurðin er lokuð skaltu ýta á „BYRJA/+30s“ takkann til að hefja á örbylgjuofninn fljótt. Sjálfgefin tímastilling er 30 sekúndur. Í því ferli geturðu ýtt á „BYRJA/+30s“ takkan til að bæta 30 sekúndum við. Suð hljóð mun tilkynna að aðgerðinni sé lokið.

---

**BARNALÆSINGARAÐGERÐ**

Notaðu þessa aðgerð til að læsa stjórnborðinu þegar þú ert að þrifa eða þannig að börn geti ekki notað ofninn án eftirlits. Allir takkarnir eru óvirkir í þessum ham.

1) Setja lás: Í biðstöðu skaltu ýta á „STÖÐVA“ takkann í meira en 3 sekúndur, barnalæsingaraðgerðin hefur verið sett í lás og ekki er hægt að nota neina takka á örbylgjuofninum.

2) Hætta við læsingu: Í barnalæsingarstöðu skaltu ýta á „STÖÐVA“ takkann í meira en 3 sekúndur til að hætta við barnalæsingaraðgerð.

## LEIÐBEININGAR UM ÁHÖLD

Það er eindregið mælt með því að nota ílát sem eru hentug og örugg fyrir matreiðslu í örbylgjuofni. Almennt séð eru ílát úr hitaþolnu keramik, gleri eða plasti hentug fyrir matreiðslu í örbylgjuofni. Notaðu aldrei málmílát til að elda í örbylgjuofni eða í samsettri matreiðslu þar sem líklegt er að neisti komi upp. Þú getur vísað í töfluna hér að neðan.

Efni íláts	Örbylgjuofn	Athugasemdir
Hitapolið keramik	Já	Aldrei nota keramik sem er skreytt með málmkanti eða málmgljád
Hitapolið plast	Já	Má ekki nota fyrir matreiðslu í örbylgjuofni sem tekur langan tíma
Hitapolið gler	Já	
Grillgrind	Nei	
Plastfilma	Já	Það ætti ekki að nota hana við matreiðslu á kjöti eða kótilettum þar sem yfirhitastigið getur skemmdum á filmunni



Eftirfarandi þættir geta haft áhrif á útkomu matreiðslunnar:

### **Röðun mats**

Setjið þykkari svæðin við endann á diskum, þynnri hluta í miðjuna og dreifið jafnt. Ekki ofan á hvorn annan ef mögulegt er.

### **Lengd eldunartíma**

Byrjaðu að elda með stutta tíma stillingu, taktu síðan mat eftir að tíminn klárast og lengdu hann eftir þörf. Ofeldun getur valdið reyk og bruna.

### **Að elda mat jafnt**

Mat eins og kjúklingi, hamborgara eða steik ætti að snúa einu sinni meðan á matreiðslu stendur. Hrærið einu sinni eða tvisvar frá enda disksins að miðju eftir tegund matar, ef við á

### **Látið standa**

Eftir að eldunartíminn er búinn skaltu leyfa matinum í ofninum að standa í nægilega langan tíma, þetta gerir honum kleift að ljúka eldunarferli sínu og kæla hann niður smám saman

### **Hvort maturinn sé tilbúinn**

Litur og harka matvæla hjálpa til við að ákvarða hvort þau séu tilbúin, þar á meðal:

- Gufa sem kemur út úr öllum hlutum matvæla, ekki bara brúninni
- Liðir fugla er hægt að færa auðveldlega
- Svín eða fuglar sýna engin merki um blóð
- Fiskur er ógegnsær og auðvelt er að sneiða hann með gaffli.

## Ofnpottur

Þegar ofnpottur eða sjálfhitunarílát er notað skal alltaf setja hitapólin einangrunarefni eins og postulínsplötu undir það til að koma í veg fyrir skemmdir á snúningsplötunni og snúningshringnum.

## Plastumbúðir sem eru öruggar fyrir örbylgjuofna

Þegar þú eldar mat með háu fituinnihaldi skaltu ekki láta plastumbúðirnar komast í snertingu við matinn þar sem þær geta bráðnað

## Plast eldhúsbúnaður sem er öruggur fyrir örbylgjuofna

Sumar tegundir af plasteldhúsbúnaði sem er öruggur fyrir örbylgjuofna gæti ekki hentað til að elda mat með miklu fitu- og sykurinnihaldi. Einnig má ekki fara yfir forhitunartímann sem tilgreindur er í leiðbeiningar handbókinni

## VIÐHALD

### ÞJÓNUSTA

Vinsamlegast athugaðu eftirfarandi áður en þú hringir í þjónustu.

1. Setjið einn bolla af vatni (ca. 150ml) í í glasamæli inn í ofninn og lokið hurðinni tryggilega. Ofn lampinn ætti að slokkna ef hurðin er lokuð almennilega. Kveikið á ofninum í 1 mín.

2. Kveikir ofnlampinn á sér?

3. Virkar kæliviftan?

(Settu höndina yfir loftræstingaropin að aftan.)

4. Snýst snúningsplatan?

(Snúningsplatan getur snúist réttisælis eða rangsælis. Það er alveg eðlilegt.)

5. Er vatnið inni í ofninum heitt?

Ef "Nei" er svarið við einhverjum af ofangreindum spurningum skaltu vinsamlegast athuga innstunguna og öryggi í rafmagnstöflunni þinni. Hafðu SAMBAND VIÐ NÆSTU ÞJÓNUSTUMIÐSTÖÐ ef bæði innstungan og rafmagnstaflan virka rétt.

## **ÞJÓNUSTURÁÐSTAFANIR**

### **Varúð: ÖRBYLGJUGEISLUN**

1. Háspennuþéttirinn er áfram í hleðslu eftir aftengingu; skammhleyptu neikvæðu klemmuna á H. V þéttisins til undirvagn ofnsins (notaðu skrúfjárn) til að losa fyrir snertingu.
2. Meðan á þjónustu stendur er hættu á að neðangreindir hlutar verði fjarlægðir og veiti aðgang að yfir 250V til jarðar.
  - Magnetróna
  - Háspennubreytir
  - Háspennuþéttir
  - Háspennudíóða
  - Háspennuöryggi
3. Eftirfarandi aðstæður geta valdið óviðráðanlegri útsetningu örbylgja meðan á þjónustu stendur.

- Magnetróna vitlaust sett upp;
- Röng samsvörun hurðarlæsingar, hurðarlamar og hurðar;
- Stuðningsrofi vitlaust settur upp;
- Hurðin, hurðarpéttingin eða einangrunin hefur orðið fyrir skemmdum.

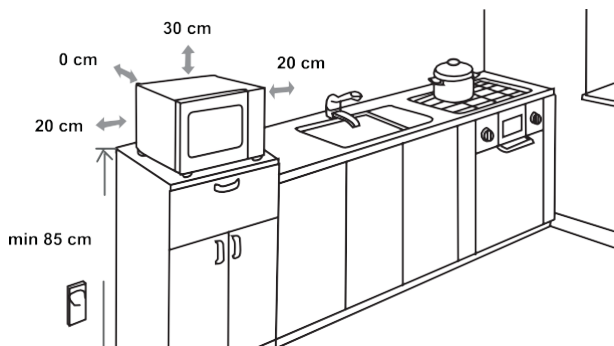
## TÆKNILÝSING

Orkunotkun .....	220-240V ~50Hz, 1280W
Útafl .....	800W
Rekstrartíðni .....	2450MHz
Útanmál 454,5 x.....	480 × 295 x 352 mm
Rúmmál ofns.....	23 lítrar
Þyngd.....	U.þ.b. 11.7kg
Hljóðstyrkur .....	Lc ≤ 61 dB (A)



**Þetta tæki er merkt samkvæmt tilskipun Evrópusambandsins 2012/19/ESB um raf- og rafeindatækjaúrgang (WEEE). Þessar leiðbeiningar eru rammi evrópsks gildis um skil og endurvinnslu á raf- og rafeindatækjaúrgangi.**

## FESTINGARSTÆRÐIR



Örbylgjuofn getur valdið truflunum á útvarpi, sjónvarpi eða svipuðum búnaði. Þegar truflun á sér stað er hægt að draga úr henni með eftirfarandi aðferðum.

- a) Þrífðu hurðina og þéttingaryfirborð ofnsins.
- b) Settu útvarpið, sjónvarpið o.s.frv. eins langt í burtu frá örbylgjuofni þínum og mögulegt er.
- c) Notaðu rétt uppsett loftnet fyrir útvarpið þitt, sjónvarpið o.s.frv. til að fá sterkt samband.

VIÐ ÁSKILJUM OKKUR RÉTT TIL AÐ GERA  
BREYTINGAR SEM HAFA EKKI ÁHRIF Á VIRKNI  
TÆKISINS.

## GENTILE CLIENTE

Ti ringraziamo sinceramente per l'acquisto. Crediamo che presto scoprirai di poterti davvero fidare dei nostri prodotti. Per facilitare l'uso dell'elettrodomestico, alleghiamo questo completo manuale di istruzioni.

Le istruzioni dovrebbero aiutarti a imparare come usare il tuo nuovo apparecchio. Si prega di leggerle attentamente prima di utilizzare l'apparecchio per la prima volta.

In ogni caso assicurarsi che l'apparecchio sia stato fornito integro. Nel caso dovessi identificare danni subiti durante il trasporto, contatta il rappresentante di vendita o il magazzino regionale dal quale è stato spedito il prodotto. Troverai il numero di telefono sulla ricevuta o sul rapporto di consegna.

Ti auguriamo un piacevole utilizzo del tuo nuovo elettrodomestico.



L'apparecchio è destinato all'uso domestico per il riscaldamento di cibi e bevande utilizzando energia elettromagnetica; solo per uso interno.

## ISTRUZIONI PER L'USO

Queste istruzioni sono destinate all'utente. Descrivono il forno e come usarlo. Si applicano anche a diversi tipi di apparecchi, pertanto potresti trovare alcune descrizioni di funzioni che potrebbero non essere applicabili al tuo apparecchio.

Ci riserviamo il diritto di eventuali modifiche ed errori nelle istruzioni per l'uso.



Non toccare mai le superfici di elettrodomestici di riscaldamento o di cottura. Diventeranno calde durante il funzionamento. Tenere i bambini a distanza di sicurezza. C'è il rischio di ustioni!



Energia a microonde e alta tensione!  
Non rimuovere la copertura.

**AVVISO!** L'elettrodomestico e le sue parti accessibili si riscaldano durante l'uso. Prestare attenzione per evitare di toccare gli elementi riscaldanti. I bambini di età inferiore agli 8 anni devono essere tenuti lontani, a meno che non siano costantemente sorvegliati. Controllare sempre che i bambini non giochino con l'elettrodomestico.

Questo elettrodomestico può essere utilizzato da bambini di età pari o superiore a 8 anni e da persone con ridotte capacità fisiche, sensoriali o mentali o con scarsa esperienza e conoscenza, a condizione che siano stati supervisionati o istruiti sull'uso dell'elettrodomestico in modo sicuro e che comprendano i pericoli ad esso legati. I bambini non devono giocare con l'elettrodomestico. La pulizia e la manutenzione non devono essere eseguite da bambini, a meno che non abbiano più di 8 anni e siano sorvegliati.

Tenere l'elettrodomestico e il suo cavo lontano dalla portata dei bambini di età inferiore agli 8 anni.

- **AVVISO:** quando l'elettrodomestico funziona in modalità combinata, i bambini dovrebbero utilizzare il forno solo sotto la supervisione di un adulto a causa delle temperature generate; (Solo per il modello con funzione grill)

- **AVVISO:** Se lo sportello o le guarnizioni dello sportello sono danneggiate, il forno non deve essere messo in funzione finché non verrà riparato da una persona competente;
- **AVVISO:** è pericoloso per chiunque non sia una persona competente eseguire qualsiasi operazione di assistenza o riparazione che comporti la rimozione della copertura che fornisce protezione contro l'esposizione all'energia a microonde;
- **AVVISO:** liquidi e altri alimenti non devono essere riscaldati in contenitori sigillati poiché potrebbero esplodere.
- Controllare sempre che i bambini non giochino con l'elettrodomestico.
- Non rimuovere i piedini del forno, non ostruire gli eventi d'aria del forno.
- Utilizzare solo utensili adatti per l'uso nei forni a microonde.
- Quando si riscaldano cibi in contenitori di plastica o carta, tenere d'occhio il forno per possibilità di accensione;
- In caso di fumo spegnere o scollegare l'apparecchio e tenere chiusa la porta per soffocare eventuali fiamme;
- Il riscaldamento a microonde delle bevande può provocare un'ebollizione eruttiva ritardata, quindi è necessario prestare attenzione quando si maneggia il contenitore;
- Il contenuto di biberon e vasetti di omogeneizzati deve essere mescolato o agitato e la temperatura controllata prima del consumo, al fine di evitare scottature;



- Le uova con il guscio e le uova sode intere non devono essere riscaldate nei forni a microonde poiché potrebbero esplodere, anche dopo che il riscaldamento a microonde è terminato;
- Quando si puliscono le superfici dello sportello, la guarnizione dello sportello, la cavità del forno, utilizzare solo saponi delicati e non abrasivi o detergenti applicati con una spugna o un panno morbido.
- Il forno deve essere pulito regolarmente e gli eventuali depositi di cibo devono essere rimossi;
- La mancata manutenzione del forno in condizioni di pulizia potrebbe comportare il deterioramento della superficie che potrebbe influire negativamente sulla vita dell'apparecchio ed eventualmente provocare una situazione di pericolo;
- Se il cavo di alimentazione è danneggiato, deve essere sostituito dal produttore, dal suo centro di assistenza autorizzato o da personale qualificato per evitare rischi.
- Non lasciare che il cavo penda dal bordo del tavolo o dal piano di lavoro.
- Non collegare mai questo apparecchio a un timer esterno o a un sistema di controllo remoto per evitare situazioni pericolose.
- Non sostituire mai la lampadina all'interno del forno. Deve sempre essere sostituita dal servizio Hisense.
- Non pulire l'elettrodomestico con pulitori a vapore, pulitori ad alta pressione, oggetti appuntiti, detergenti abrasivi, spugne abrasive e smacchiatori.

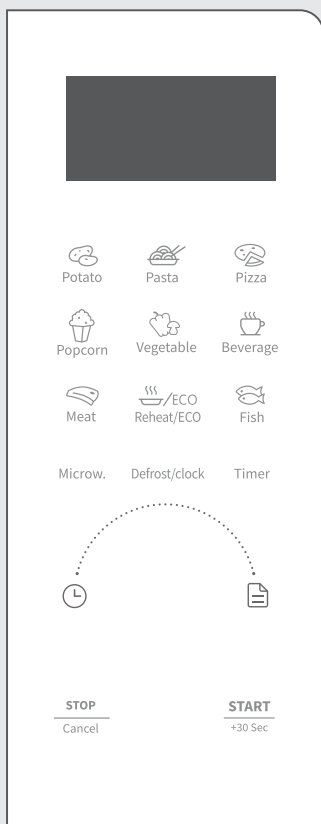
Di seguito sono elencate, come per tutti gli elettrodomestici, alcune regole da seguire e precauzioni per garantire le massime prestazioni da questo forno:

1. Tenere sempre in posizione il vassoio in vetro, i bracci del rullo, il giunto e la guida del rullo durante il funzionamento del forno.
2. Non utilizzare il forno per nessun motivo diverso dalla preparazione del cibo, ad esempio per asciugare vestiti, carta o altri articoli non alimentari o per scopi di sterilizzazione.
3. Non mettere in funzione il forno vuoto. Ciò potrebbe danneggiare il forno.
4. Non utilizzare la cavità del forno per alcun tipo di conservazione, come carta, libri di cucina, ecc.
5. Non cuocere alimenti circondati da una membrana, come tuorli d'uovo, patate, fegatini di pollo, ecc. senza prima essere stati forati più volte con una forchetta.
6. Non inserire alcun oggetto nelle aperture sulla copertura esterna.
7. Non rimuovere in nessun momento parti dal forno come piedini, giunti, viti, ecc.
8. Non cuocere il cibo direttamente su vassoi in vetro. Posizionare il cibo in/su un supporto appropriato prima di metterlo nel forno. **IMPORTANTE: PENTOLE DA NON UTILIZZARE NEL FORNO A MICROONDE**
  - Non utilizzare pentole o stoviglie in metallo con manici in metallo.
  - Non utilizzare nulla con finiture in metallo.
  - Non utilizzare fascette a spirale rivestite di carta sui sacchetti di plastica.
  - Non utilizzare stoviglie in melamina poiché contengono un materiale che assorbe l'energia delle microonde. Ciò potrebbe causare la rottura o la carbonizzazione dei piatti e rallentare la velocità di cottura.
  - Non utilizzare stoviglie Centura. Lo smalto non è adatto per il microonde. Le tazze con manico chiuso Corelle Livingware non devono essere utilizzate.
  - Non cuocere in un contenitore con un'apertura ristretta, come una bottiglia con bibita gassata o una bottiglia di olio sigillata, poiché potrebbero esplodere se riscaldati in un forno a microonde.
  - Non utilizzare termometri convenzionali per carne o caramelle.
  - Sono disponibili i termometri specifici per la cottura a microonde. Questi possono essere utilizzati.
9. Gli utensili a microonde devono essere utilizzati solo in conformità con le istruzioni del produttore.
10. Non tentare di friggere cibi in questo forno.
11. Ricorda che un forno a microonde riscalda solo il liquido in un contenitore e non il contenitore stesso. Pertanto, anche se il coperchio di un contenitore non è

caldo al tatto quando viene tolto dal forno, ricordare che il cibo/liquido all'interno rilascerà la stessa quantità di vapore e/o schizzi come quando il coperchio viene rimosso con la cottura convenzionale.

12. Verificare sempre la temperatura del cibo cotto, soprattutto se si riscaldano o si cucinano cibi/liquidi per neonati. Si consiglia di non consumare mai cibi/liquidi appena sfornati, ma lasciarli riposare per qualche minuto e mescolarli per distribuire uniformemente il calore.
13. I cibi contenenti una miscela di grasso e acqua, come ad esempio il brodo, dovrebbe riposare per 30-60 secondi nel forno dopo lo spegnimento. Questo consente alla miscela di assestarsi ed evitare che ribollisca quando si mette un cucchiaino nel cibo/liquido o si aggiunge un dado da brodo.
14. Durante la preparazione/cottura di cibi/liquidi, ricordare che ci sono alcuni cibi, ad es. dolci natalizi, marmellata e carne tritata, che si riscaldano molto rapidamente. Quando si riscaldano o si cucinano cibi con un alto contenuto di grassi o zuccheri, non utilizzare contenitori di plastica.
15. L'utensile da cucina può surriscaldarsi a causa del calore trasferito dal cibo riscaldato. Ciò è particolarmente vero se l'involucro di plastica ha coperto la parte superiore e le maniglie dell'utensile. Potrebbero essere necessarie presine per maneggiare l'utensile.
16. Per ridurre il rischio di incendio nella cavità del forno:
  - a) Non cuocere troppo il cibo. Prestare attenzione al forno a microonde se carta, plastica o altri materiali combustibili sono inseriti all'interno del forno per facilitare la cottura.
  - b) Rimuovere le fascette metalliche a spirale dai sacchetti prima di metterli nel forno.
  - c) Se i materiali all'interno del forno dovessero prendere fuoco, tenere chiuso lo sportello del forno, spegnere il forno tramite l'interruttore a parete o interrompere l'alimentazione tramite il fusibile o il pannello dell'interruttore automatico.

## FUNZIONAMENTO DEL PANNELLO DI CONTROLLO



### DISPLAY

Mostra l'orologio, il tempo di cottura e l'impostazione.

### SCONGELAMENTO

Utilizzare questo tasto per scongelare gli alimenti in base al tempo e al peso

### MICROW.

Utilizzare questo tasto per selezionare il livello di potenza del microonde.

### OROLOGIO

Tenere premuto questo tasto per 3 secondi per impostare l'orologio.

### TIMER

Utilizzare questo tasto per impostare la funzione timer.

### ICONE

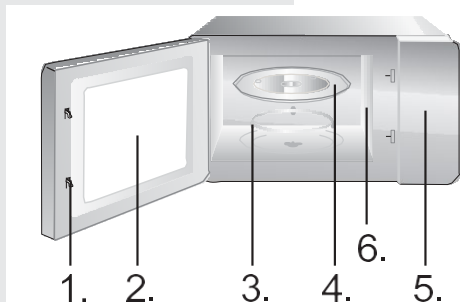
Utilizzare questi tasti per impostare il tempo e il peso degli alimenti e per scegliere i programmi del menu automatico.

### STOP/CANCEL (INTERROMPI/ANNULLA)

Utilizzare questo tasto per interrompere o annullare l'impostazione. Tenere premuto 3 secondi per il blocco bambini

### START/+30 SEC

Utilizzare questo tasto per avviare una cottura rapida di 30 secondi, aumentare il tempo di cottura di 30 secondi (ad ogni pressione) o confermare le impostazioni di cottura.



1. Sistema di blocco di sicurezza dello sportello
2. Finestrino del forno
3. Anello del rullo
4. Vassoio in vetro
5. Pannello di controllo
6. Guida d'onda (non rimuovere la piastra in mica che copre la guida d'onda)

## FUNZIONE MICROONDE

Sono disponibili dieci livelli di potenza delle microonde, rispettivamente 100P, 90P, 80P, 70P, 60P, 50P, 40P, 30P, 20P e 10P. Ruotare la manopola sottostante per aumentare o diminuire il tempo di cottura, l'intervallo di tempo può essere selezionato da 0:10 a 60:00. Dopo aver selezionato il tempo, premere il pulsante "START/+30s" per avviare l'operazione. Un segnale acustico segnalerà il completamento dell'operazione.

ALTA	100% e 90% di potenza erogata	(Applicabile per una cottura rapida e completa)
Medio Alta	80% e 70% di potenza erogata	(Applicabile per cottura media espressa)
Media	60% e 50% di potenza erogata	(Applicabile per la cottura a vapore di cibo)
Medio Bassa	40% e 30% di potenza erogata	(Applicabile per scongelare gli alimenti)
BASSA	20% e 10% di potenza erogata	(Applicabile per mantenere caldo)



### ATTENZIONE

- a. Il tempo massimo impostabile è di 60 minuti
- b. Non azionare mai il forno vuoto.
- c. Alla massima potenza del microonde, il forno abbasserà automaticamente la potenza dopo un certo tempo di cottura per allungare la durata.
- d. Se si gira il cibo durante il funzionamento, premere una volta il pulsante **START/+30s** e la procedura di cottura preimpostata continuerà.

**SCONGELAMENTO/  
SCONGELAMENTO A  
TEMPO**

e. Se si intende rimuovere il cibo prima del tempo preimpostato, è necessario premere una volta il pulsante **STOP/CANCEL** per cancellare la procedura preimpostata per evitare il funzionamento involontario al prossimo utilizzo.

Esistono due modalità di scongelamento, rispettivamente dEF1 e dEF2. dEF1 per lo scongelamento in base al peso e dEF2 per lo scongelamento in base al tempo. Premere questo pulsante per selezionare lo scongelamento in base al peso o al tempo e sul display apparirà "dEF1" o "dEF2". Ruotare la manopola per selezionare il peso del cibo o il tempo di scongelamento. L'intervallo di peso di dEF1 va da 100 a 1500 g e il tempo massimo di dEF2 è 60:00. Dopo aver selezionato il peso o il tempo di scongelamento, premere il pulsante "START/+30s" per avviare l'operazione. Un segnale acustico segnalerà il completamento dell'operazione. La modalità di scongelamento in base al peso dEF1 emetterà un segnale acustico per segnalare la necessità di girare il cibo durante lo scongelamento.

Di seguito sono riportati alcuni consigli sul tempo di scongelamento degli alimenti:

dEF1	Per lo scongelamento, l'intervallo di peso va da 100 a 1500 g.
dEF2	Per lo scongelamento, il tempo massimo è 60:00.

## **ATTENZIONE**

- a. È necessario girare il cibo durante il funzionamento per ottenere un effetto uniforme.
- b. Solitamente lo scongelamento richiederà tempi più lunghi rispetto a quello di cottura del cibo.
- c. Se il cibo può essere tagliato con un coltello, il processo di scongelamento può considerarsi completato.
- d. Le microonde penetrano per circa 4 cm nella maggior parte degli alimenti
- e. Gli alimenti scongelati devono essere consumati il prima possibile, non è consigliabile rimetterli in frigorifero e congelarli nuovamente.

---

### **OROLOGIO** (formato 24 ore)

In modalità standby, tenere premuto il pulsante "DEFROST/CLOCK" per più di 3 secondi per accedere all'interfaccia di impostazione dell'orologio. Allo stesso tempo, le ore sul display lampeggiano. L'ora può essere impostata ruotando la manopola. Dopo aver impostato l'ora, premere per un breve periodo il pulsante "START/+30s" per passare alla modalità di impostazione dei minuti.

I minuti possono essere impostati ruotando la manopola. Dopo aver impostato i minuti, premere nuovamente il pulsante "START/+30s" per uscire dalla modalità di impostazione.

## COTTURA AUTOMATICA

Sono disponibili otto menu automatici A.1~A.8, Rispettivamente patate, pasta, pizza, popcorn, verdure, bevande, carne e pesce. Premere continuamente il pulsante "Menu" per selezionare il menu desiderato, quindi ruotare la manopola per selezionare il peso del menu. Dopo aver selezionato il peso della cottura, premere il pulsante "START/+30s" per avviare l'operazione. Un segnale acustico segnalerà il completamento dell'operazione.

Display	Tipo	Metodo
A.1	Patate	I pesi opzionali sono 250 g, 500 g e 750 g
A.2	Pasta	I pesi opzionali sono 50 g, 100 g e 150 g
A.3	Pizza	I pesi opzionali sono 200 g e 400 g
A.4	Popcorn	Il peso opzionale è 100 g
A.5	Verdure	I pesi opzionali sono 200 g, 400 g e 600 g
A.6	Bevande	I pesi opzionali sono 1 tazza, 2 tazze o 3 tazze, ciascuna di circa 250 ml.
A.7	Carne	I pesi opzionali sono 200 g, 400 g e 600 g
A.8	Pesce	I pesi opzionali sono 200 g, 400 g e 600 g





## ATTENZIONE

- a. La temperatura del cibo prima della cottura dovrebbe essere di 20-25 °C. Una temperatura più alta o più bassa del cibo prima della cottura richiederebbe un aumento o una diminuzione del tempo di cottura.
- b. La temperatura, il peso e la forma del cibo influiranno ampiamente sull'effetto di cottura. Se è stata rilevata una deviazione rispetto al fattore indicato nel menu sopra, è possibile regolare il tempo di cottura per ottenere il miglior risultato.

---

### TIMER

In modalità standby, premere questo pulsante per accedere all'interfaccia di impostazione e l'icona della funzione di conto alla rovescia e "0:00" verranno visualizzati sul display. Ruotare la manopola per impostare il tempo, il tempo massimo impostabile è 60:00. Dopo aver impostato il tempo, premere il pulsante "START/+30s" per iniziare il conto alla rovescia. Un segnale acustico segnalerà il completamento dell'operazione.

---

**RISCALDAMENTO/  
RISCALDAMENTO  
ECO**

La funzione di riscaldamento è principalmente quella di facilitare agli utenti il riscaldamento di cibo in base al peso del cibo, ruotare la manopola per selezionare il peso appropriato del cibo, i pesi opzionali sono 200 g, 400 g, 600 g, 800 g e 1000 g. Dopo aver selezionato il peso, premere il pulsante "START/+30s" per avviare l'operazione. Un segnale acustico segnalerà il completamento dell'operazione.

---

**ECO**

In modalità standby, tenere premuto il pulsante Reheat (Riscaldamento) per 3 secondi per attivare ECO e il display si spegnerà. Quando si attiva ECO, premere un pulsante qualsiasi per disattivare la funzione ECO.

---

## **STOP**

Nel processo delle impostazioni di cottura, è possibile premere il pulsante "STOP" per annullare le impostazioni e tornare allo stato di standby. Nel processo di funzionamento del forno a microonde, è possibile premere il pulsante "STOP" per mettere in pausa. Nello stato di standby, è possibile premere nuovamente il pulsante "STOP" per annullare la funzione e tornare allo stato di standby.

---

## **START/+30s**

Dopo aver impostato il tempo di cottura o il peso del cibo, premere il pulsante "START/+30s" per avviare immediatamente il forno a microonde. Nello stato di funzionamento, è possibile premere il pulsante "START/+30s" per aumentare il tempo, premere una volta per aumentare di 30 secondi, ma la modalità menu e la modalità di scongelamento in base al peso non possono regolare il tempo. Nello stato di pausa, è possibile premere il pulsante "START/+30s" per continuare il forno a microonde prima della modalità di cottura.

---

## RAPIDO

In modalità standby, dopo aver inserito il cibo e chiuso lo sportello, premere il pulsante "START/+30s" per avviare rapidamente il microonde. Il tempo di operazione predefinito è 30 secondi. Durante il funzionamento, premere una volta il pulsante "START/+30s" per 30 secondi. Un segnale acustico segnalerà il completamento dell'operazione.

---

## FUNZIONE BLOCCO BAMBINI

Utilizzare questa funzione per bloccare il pannello di controllo durante la pulizia o in modo che i bambini non possano utilizzare il forno senza sorveglianza. Tutti i pulsanti sono resi inutilizzabili in questa modalità.

- 1) Impostazione del blocco: in modalità standby, premere il pulsante "STOP" per più di 3 secondi, la funzione di blocco bambini è bloccata e tutti i pulsanti del forno a microonde non possono essere azionati.
- 2) Annullamento del blocco: nello stato di blocco bambini, premere il pulsante "STOP" per più di 3 secondi per annullare la funzione di blocco bambini.

## LINEE GUIDA PER GLI UTENSILI

Si consiglia vivamente di utilizzare contenitori idonei e sicuri per la cottura a microonde. In generale, i contenitori in ceramica, vetro o plastica resistenti al calore sono adatti alla cottura a microonde. Non utilizzare mai i contenitori metallici per la cottura a microonde e la cottura combinata poiché è probabile che si verifichino scintille. È possibile prendere il riferimento della tabella sottostante.

Materiale del contenitore	Microonde	Note
Ceramica resistente al calore	Si	Non utilizzare mai ceramiche decorate con bordo metallico o smaltate
Plastica resistente al calore	Si	Non può essere utilizzato per lunghe cotture a microonde
Vetro resistente al calore	Si	
Griglia	No	
Pellicola di plastica	Si	Non deve essere utilizzato durante la cottura di carne o braciola in quanto la temperatura eccessiva potrebbe danneggiare la pellicola

## SUGGERIMENTI PER LA COTTURA

I seguenti fattori possono influenzare il risultato della cottura:

### **Disposizione degli alimenti**

Posizionare le aree più spesse verso l'esterno del piatto, la parte più sottile verso il centro e distribuire l'alimento uniformemente. Non sovrapporre se possibile.

### **Durata del tempo di cottura**

Iniziare la cottura con un breve lasso di tempo, valutarlo al termine del conteggio ed estenderlo in base all'effettiva necessità. Una cottura eccessiva può causare fumo e ustioni.

### **Cucinare il cibo in modo uniforme**

Cibi come pollo, hamburger o bistecca devono essere girati una volta durante la cottura.

A seconda del tipo di alimento, se possibile, mescolarlo dall'esterno al centro del piatto una o due volte durante la cottura

### **Lasciare riposare**

Terminato il tempo di cottura, lasciare il cibo in forno per un tempo adeguato, in modo da permettere il completamento del ciclo di cottura e lasciar raffreddare il cibo in modo graduale

### **Determinare se il cibo è pronto**

Il colore e la durezza aiutano a determinare se il cibo è pronto, ad esempio:

- C'è del vapore che fuoriesce da tutte le parti del cibo, non solo dal bordo
- Le articolazioni del pollame possono essere mosse facilmente
- La carne di maiale o il pollame non presenta tracce di sangue
- Il pesce è opaco e può essere tagliato facilmente con una forchetta

## **Pirofila**

Quando si utilizza una pirofila o un contenitore autoriscaldante, posizionare sempre un isolante resistente al calore come un piatto di porcellana sotto di esso per evitare danni al piatto girevole e all'anello rotante.

## **Pellicola protettiva per microonde**

Durante la cottura di alimenti ad alto contenuto di grassi, evitare che la pellicola venga a contatto con gli alimenti poiché potrebbe sciogliersi

## **Pentole in plastica per microonde**

Alcune pentole in plastica per microonde potrebbero non essere adatte per cucinare cibi con alto contenuto di grassi e zuccheri. Inoltre, il tempo di preriscaldamento specificato nel manuale di istruzioni del piatto non deve essere superato

# MANUTENZIONE

## **MANUTENZIONE**

Si prega di controllare quanto segue prima di chiamare l'assistenza.

1. Mettere una tazza d'acqua (circa 150 ml) in un misurino di vetro nel forno e chiudere saldamente lo sportello. La lampada del forno dovrebbe spegnersi se la porta è chiusa correttamente. Far funzionare il forno per 1 min.
  2. La lampada del forno si accende?
  3. La ventola di raffreddamento funziona?  
(Posizionare la mano sulle aperture di ventilazione posteriori.)
  4. Il piatto girevole ruota?

(Il piatto girevole può ruotare in senso orario o antiorario. Ciò è completamente normale.)

5. L'acqua all'interno del forno è calda?

Se la risposta a una delle domande precedenti è "NO", controllare la presa a muro e il fusibile nel quadro del contatore. Se sia la presa a muro che il fusibile funzionano correttamente,

**CONTATTARE IL CENTRO DI ASSISTENZA  
AUTORIZZATO PIÙ VICINO.**

## **MISURE DI SICUREZZA PER LA MANUTENZIONE**

### **Attenzione: RADIAZIONI A MICROONDE**

1. Il condensatore ad alta tensione rimane carico dopo la disconnessione; cortocircuitare il terminale negativo del condensatore H. V sul telaio del forno (utilizzare un cacciavite) per scaricarlo prima di toccarlo.
2. Durante la manutenzione, le parti elencate di seguito possono essere rimossi e dare accesso a potenziali superiori a 250 V a terra.
  - Magnetron
  - Trasformatore ad alta tensione
  - Condensatore ad alta tensione
  - Diodo ad alta tensione
  - Fusibile ad alta tensione
3. Le seguenti condizioni possono causare un'eccessiva esposizione alle microonde durante la manutenzione.



- Montaggio errato del magnetron;
- Corrispondenza errata dell'interblocco dello sportello, della cerniera dello sportello e dello sportello;
- Montaggio errato del supporto dell'interruttore;
- Lo sportello, la guarnizione o l'involucro dello sportello sono stati danneggiati.

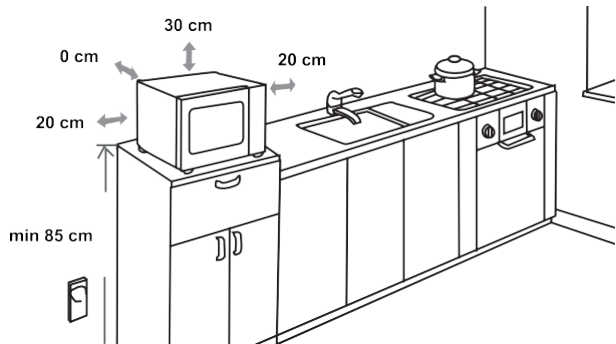
## SPECIFICHE

Consumo energetico.....	220-240 V ~50 Hz, 1280 W
Potenza in uscita .....	800 W
Frequenza operativa.....	2450 MHz
Dimensioni esterne .....	480 x 295 x 352 mm
Capacità del forno.....	23 litri
Peso senza imballo.....	Circa 11.7 kg
Livello di rumorosità. ....	L c ≤ 61 dB (A)



**Questo elettrodomestico è contrassegnato secondo la direttiva europea 2012/19/UE relativa ai rifiuti di apparecchiature elettriche ed elettroniche (RAEE). Questa linea guida rappresenta il quadro di validità a livello europeo di restituzione e riciclaggio dei rifiuti di apparecchiature elettriche ed elettroniche.**

## DIMENSIONI DI MONTAGGIO



## INTERFERENZA RADIO

Il forno a microonde può causare interferenze alla radio, alla TV o ad apparecchiature simili. Quando si verifica un'interferenza, è possibile eliminarla o ridurla con le seguenti procedure.

- a) Pulire lo sportello e la superficie di tenuta del forno.
- b) Posizionare la radio, la TV, ecc. il più lontano possibile dal forno a microonde.
- c) Utilizzare un'antenna installata correttamente per radio, TV, ecc. per ottenere una forte ricezione del segnale.

CI RISERVIAMO IL DIRITTO DI APPORTARE  
MODIFICHE CHE NON PREGIUDICANO LA  
FUNZIONALITÀ DELL'ELETTRODOMESTICO.

**Hisense**

ძვირფასო მომხმარებელი

გულწრფელად გიხდით მადლობას თქვენი შენაძენისთვის. ჩვენ

თქვენ მალე დარწმუნდებით, რომ შეგიძლიათ ენდოთ ჩვენს პროდუქტებს. მოწყობილობის მარტივად გამოსაყენებლად ამ ინსტრუქციას გათავაზობთ.

ეს ინსტრუქცია დაგეხმარებათ თქვენი ახალი მოწყობილობის გაცნობაში. მოწყობილობის პირველად გამოყენებამდე, გთხოვთ, ყურადღებით გაეცნოთ ინსტრუქციას.

ნებისმიერ შემთხვევაში, დარწმუნდით, რომ მოწყობილობა უვნებელი ჩაგბარდათ. ტრანსპორტირების დროს დაზიანებას თუ აღმოაჩენთ, მიმართეთ გაყიდვების წარმომადგენელს ან რეგიონულ საწყობს, საიდანაც ის მოგიტანეს. ტელეფონის საკონტაქტო ნომერს ქვითარში ან ადგილზე მიწოდების დოკუმენტში ნახავთ.

ისიამოვნეთ თქვენი ახალი შენაძენით.



მოწყობილობა განკუთვნილია საყოფაცხოვრებო მოხმარებისთვის, საკვებისა და სასმელის ელექტრომაგნიტური ენერჯის მეშვეობით გასაცხელებლად, მხოლოდ დახურულ სივრცეში გამოსაყენებლად.

გამოყენების  
ინსტრუქცია

ეს ინსტრუქცია განკუთვნილია მომხმარებლისთვის. მასში აღწერილია ღუმელი და მისი გამოყენების წესები. ინსტრუქცია ვრცელდება სხვა ტიპის მოწყობილობებზეც, ამიტომაც მასში ზოგიერთი ისეთი ფუნქციის აღწერას შეხვდებით, რაც თქვენს მოწყობილობას არ მიესადაგება.

ჩვენ ვიტოვებთ უფლებას გამოყენების ინსტრუქციაში ნებისმიერი სახის ცვლილებისა თუ შეცდომის შესახებ.



არ შეეხოთ გამაცხელებლების ან კერძის მოსამზადებელი მოწყობილობების ზედაპირებს. მუშაობისას ისინი ცხელდება. ბავშვები არ მიუშვათ ახლოს. არსებობს დამწვრობის საფრთხე!



მიკროტალღური ენერჯია და მაღალი ძაბვა! არ მოხსნათ სახურავი.

**გაფრთხილება!** მოწყობილობა და მისი ხელმისაწვდომი ნაწილები ცხელდება გამოყენების დროს. სიფრთხილით მოეკიდეთ ცხელ ზედაპირებზე შეხებას. 8 წელზე უმცროსი ბავშვები არ დაიშვებიან უმეთვალყურეოდ. ბავშვებზე უნდა ხორციელდებოდეს მეთვალყურეობა, რათა დარწმუნდეთ, რომ ისინი არ თამაშობენ მოწყობილობით.

აღნიშნული მოწყობილობის გამოყენება შეუძლიათ 8 წლის და უფროსი ასაკის ბავშვებს და შეზღუდული ფიზიკური, სენსორული ან გონებრივი შესაძლებლობების მქონე, ასევე, გამოცდილების ან ცოდნის არმქონე პირებს, თუ მათზე ხორციელდება ზედამხედველობა ან მათ ჩაუტარდათ შესაბამისი ინსტრუქცია

მოწყობილობის უსაფრთხოდ გამოყენებისა და შესაძლო საფრთხეების შესახებ. ბავშვებმა არ უნდა ითამაშონ მოწყობილობით. 8 წელზე უმცროსი და უმეთვალყურეო ბავშვებისთვის მოწყობილობის გაწმენდა და შეკეთება აკრძალულია.

მოწყობილობა და მისი სადენი იქონიეთ 8 წელზე უმცროსი ბავშვებისგან მიუწვდომელ ადგილას.

- **გაფრთხილება:** როდესაც მოწყობილობა მუშაობს კომბინირებულ რეჟიმში, ბავშვებმა უნდა გამოიყენონ ღუმელი მხოლოდ მოზრდილთა ზედამხედველობის ქვეშ წარმოქმნილი ტემპერატურის გამო; (მხოლოდ გრილის ფუნქციის მქონე მოდელისთვის)

- **გაფრთხილება:** თუ კარი ან კარის ლუქები დაზიანებულია, ღუმელი არ უნდა ამუშაოთ მანამ, სანამ მას კომპეტენტური პირი არ შეაკეთებს;
- **გაფრთხილება:** კომპეტენტური პირის გარდა სხვის მიერ ნებისმიერი მომსახურების ან სარემონტო ოპერაციის ჩატარება სახიფათოა, რაც მოიცავს საფარის მოხსნას, რომ უზრუნველყოფილი იყოს მიკროტალღური ენერჯის ზემოქმედებისგან დაცვა;
- **გაფრთხილება:** სითხეებისა და სხვა საკვების დალუქულ კონტეინერებში გაცხელება დაუშვებელია, რადგან ისინი შეიძლება აფეთქდეს.
- ბავშვებს ყურადღება უნდა მიაქციოთ, რომ არ ითამაშონ მოწყობილობასთან.
- არ მოხსნათ ღუმელს ფეხები, არ დაბლოკოთ ღუმელის საჭაერო გასასვლელები.
- გამოიყენეთ მხოლოდ მიკროტალღურ ღუმელში გამოსაყენებლად შესაფერისი ჭურჭელი.
- პლასტმასის ან ქაღალდის ჭურჭელში საკვების გაცხელებისას თვალი ადევნეთ ღუმელს აალების საფრთხის გამო;
- თუ კვამლი შეინიშნება, გათიშეთ ან გამორთეთ მოწყობილობა და დახურეთ კარი, რათა თავიდან აიცილოთ აალება;
- სასმელების მიკროტალღურმა გათბობამ შეიძლება გამოიწვიოს მოგვიანებით ადუღებული სითხის ამოფრქვევა, ამიტომ კონტეინერის დამუშავებისას საჭიროა სიფრთხილე;
- საკვების ბოთლებისა და ბავშვის საკვების ქილების შიგთავსი უნდა შეანჯღრიოთ და გამოყენებამდე შეამოწმოთ ტემპერატურა, რათა თავიდან აიცილოთ დამწვრობა;

- ნაჭუჭიანი კვერცხის და მთლიანად მოხარშული კვერცხის ღუმელში გაცხელება დაუშვებელია, რადგან ისინი შეიძლება აფეთქდეს, მას შემდეგაც კი, რაც მიკროტალღური ღუმელი დაასრულებს გაცხელებას;
- კარის, კარის ლუქის, ღუმელის ღრუს ზედაპირების დასუფთავებისას გამოიყენეთ მხოლოდ რბილი, არააბრაზიული საპნები ან ღრუბელზე/ რბილ ქსოვილზე დატანილი სარეცხი საშუალებები.
- ღუმელი რეგულარულად უნდა გაიწმინდოს და საკვების ნარჩენებისგან გასუფთავდეს;
- ღუმელის დასვრილ მდგომარეობაში დატოვებამ შეიძლება გამოიწვიოს ზედაპირის გაფუჭება, რაც უარყოფითად იმოქმედებს მოწყობილობის ექსპლუატაციის ვადაზე და შესაძლოა შექმნას სახიფათო სიტუაცია;
- კვების კაბელის დაზიანების შემთხვევაში, იგი უნდა შეიცვალოს მწარმოებლის, მისი მომსახურების აგენტის ან მსგავსი კვალიფიკაციის მქონე პირების მიერ, რათა თავიდან იქნას აცილებული საფრთხე.
- არ დაკიდოთ სადენი მაგიდის ან სამზარეულოს ზედაპირის კიდეებზე.
- არასოდეს შეაერთოთ ეს მოწყობილობა გარე ტაიმერის ჩამრთველთან ან დისტანციური მართვის სისტემასთან, რათა თავიდან აიცილოთ სახიფათო სიტუაცია.
- არასოდეს გამოცვალოთ ნათურა ღუმელში. ის ყოველთვის უნდა შეიცვალოს Hisense-ის მომსახურებით.
- არ გაწმინდოთ მოწყობილობა ორთქლის საწმენდებით, მაღალი წნევის საწმენდებით, ბასრი საგნებით, აბრაზიული საწმენდი საშუალებებით, აბრაზიული ღრუბლებითა და ლაქების ამომყვანებით.

ქვემოთ ჩამოთვლილია, ყველა მოწყობილობისთვის, გარკვეული წესები, რომელთა დაცვა და აღსრულება უზრუნველყოფს ამ ღუმელის საუკეთესოდ მუშაობას:

1. ღუმელის მუშაობისას ყოველთვის იქონიეთ მინის ლანგარი, მზრუნავი ხელსაწყო, შემაერთებელი და მუხლუხა.
2. არ გამოიყენოთ ღუმელი საკვების მომზადების გარდა, მაგალითად, ტანსაცმლის, ქაღალდის ან სხვა არასასურსათო ნივთების გასაშრობად ან სტერილიზაციის მიზნით.
3. არ ამუშაოთ ღუმელი, როდესაც ის ცარიელია. ამან შეიძლება დააზიანოს ღუმელი.
4. არ გამოიყენოთ ღუმელის შიდა სივრცე სათავსოდ არცერთი ტიპის ნივთისთვის, მათ შორის, ქაღალდი, კულინარიული წიგნები და ა.შ.
5. არ მოამზადოთ გარსით დაფარული საკვები, როგორცაა კვერცხის გულები, კარტოფილი, ქათმის ღვიძლი და ა.შ. ჩანგლით რამდენჯერმე დაჩხვლეთ გარეშე.
6. არ მოათავსოთ ობიექტი გარე სათავსოს ღიობებში.
7. არ მოხსნათ ღუმელს ისეთი ნაწილები, როგორცაა ფეხები, შემაერთებელი, ხრახნები და ა.შ.
8. არ მოამზადოთ საკვები პირდაპირ მინის ლანგარზე. მოათავსეთ საკვები შესაბამის ჭურჭელში/ჭურჭელზე ღუმელში მოთავსებამდე.

**წინაშენიშვნა** — ჭურჭელი, რომელიც არ უნდა გამოიყენოთ თქვენს მიკროტალღურ ღუმელში

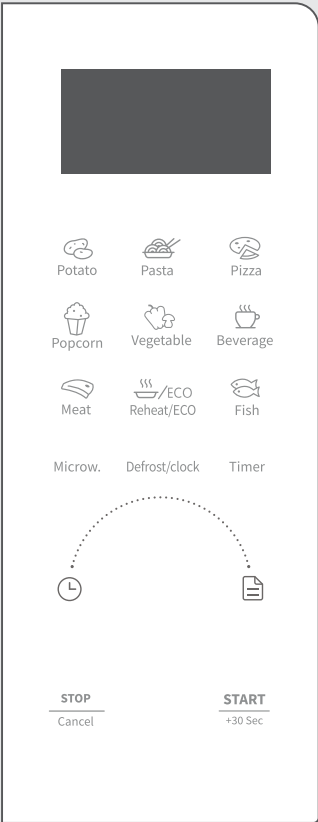
- არ გამოიყენოთ მეტალის ტაფები ან ჭურჭელი მეტალის სახელურებით.
  - არ გამოიყენოთ ჭურჭელი ლითონის მორთულობით.
  - არ გამოიყენოთ ქაღალდით დაფარული ჟგუტები პოლიეთილენის პარკებზე.
  - არ გამოიყენოთ მელამინის ჭურჭელი, რადგან ისინი შეიცავს მიკროტალღური ენერჯის შთანთქმელ მასალას. ამან შეიძლება გამოიწვიოს კერძების დაზიანება ან დანახშირება და შეანელოს მომზადების სიჩქარე.
  - არ გამოიყენოთ Centura-ს ჭურჭელი. მომინული ჭურჭელი არ არის შესაფერისი მიკროტალღური ღუმელისთვის. Corelle Livingware-ის სახელურიანი ჭიქები არ არის შესაფერისი მიკროტალღური ღუმელისთვის.
  - არ მოამზადოთ კონტეინერში, რომლის გახსნაც რთულია, მაგალითად, გამაგრებელი სასმლის ბოთლი ან ზეთის დალუქული ბოთლი, რადგან ისინი შესაძლოა აფეთქდეს ღუმელში გაცხელებისას.
  - არ გამოიყენოთ ხორცის ან ტკბილეულის სტანდარტული თერმომეტრები.
  - არსებობს თერმომეტრები, რომლებიც განკუთვნილია სპეციალურად მიკროტალღურ ღუმელში გამოყენებისთვის. მათი გამოყენება ნებადართულია.
9. მიკროტალღური ღუმელისთვის განკუთვნილი ჭურჭელი უნდა გამოიყენოთ მხოლოდ მწარმოებლის ინსტრუქციის შესაბამისად.
  10. ნუ ეცდებით ამ ღუმელში საკვების ზეთში შეწვას.
  11. გახსოვდეთ, რომ მიკროტალღური ღუმელი მხოლოდ კონტეინერში არსებულ სითხეს აცხელებს და არა თავად კონტეინერს. ამიტომ, მიუხედავად იმისა, რომ კონტეინერის სახურავი არ არის

ცხელი ღუმელიდან ამოდებისას, გახსოვდეთ, რომ შიგნით არსებული საკვები/სითხე გამოყოფს იმავე რაოდენობის ორთქლს ან/და გამოაფრქვევს მას სახურავის მოხსნისას, როგორც ჩვეულებრივი საჭმლის მომზადებისას.

12. ყოველთვის თავად შეამოწმეთ მომზადებული საკვების ტემპერატურა, განსაკუთრებით, თუ ბავშვებისთვის აცხელებთ ან ამზადებთ საჭმელს/სითხეს. სასურველია, საკვები/სითხე პირდაპირ ღუმელიდან არ მიიღოთ, რამდენიმე წუთი დადგათ და მოურიოთ საჭმელს/სითხეს სითბოს თანაბრად გასანაწილებლად.
13. ცხიმის და წყლის ნარევის შემცველი საკვები, მაგ., ბიომასა, უნდა გაჩერდეს ღუმელში 30-60 წამის განმავლობაში მისი გამორთვის შემდეგ. ეს საჭიროა იმისათვის, რომ ნარევი დადგეს და არ წარმოიქმნას ბუმტუკები, როდესაც კოვზი მოთავსებულია საკვებში/სითხეში ან ბიომასის კუბია დამატებული.
14. საკვების/სითხის მომზადებისას გახსოვდეთ, რომ არსებობს გარკვეული საკვები, მაგ., საშობაო პუდინგები, მურაბა და ხორცის ფარში, რომლებიც ძალიან სწრაფად ცხელდება. ცხიმის ან შაქრის მაღალი შემცველობის მქონე საკვების გაცხელებისას ან მომზადებისას არ გამოიყენოთ პლასტმასის კონტეინერები.
15. საჭმლის მოსამზადებელი ჭურჭელი შეიძლება გაცხელდეს გაცხელებული საკვებიდან გადაცემული სითბოს გამო. ეს განსაკუთრებით მაშინ ხდება, თუ პლასტმასის სახვევი ჭურჭლის ზედა ნაწილსა და სახელურებს ფარავს. ქვაბის დამჭერები შესაძლოა საჭირო იყოს ჭურჭელზე ხელის მოსაკიდებლად.
16. ღუმლის კამერაში ხანძრის რისკის შესამცირებლად:
  - a) ნუ გადააჭარბებთ საკვების მომზადების დროს. ყურადღებით ადევნეთ თვალი მიკროტალღურ ღუმელს, თუ ღუმელში მოთავსებულია ქაღალდი, პლასტმასი ან სხვა აალებადი მასალა, საჭმლის მომზადების გასაადვილებლად.
  - b) ღუმელში შედგამდე პარკს მოხსენით ჟგუტები.
  - c) ღუმელში არსებული მასალების აალების შემთხვევაში დახურეთ ღუმელის კარი, გამორთეთ ღუმელი შტექსელიდან ან გამორთეთ ელექტროენერგია მცველის ან ავტომატური ამომრთველის პანელიდან.



# მართვის პანელის მუშაობა



## ეკრანი

აჩვენებს საათს, მომზადების დროსა და პარამეტრს.

## გალღობა

გამოიყენეთ ეს ღილაკი საკვების დროისა და წონის მიკროსქემის მიხედვით გაღობისთვის.

გამოიყენეთ ეს ღილაკი მიკროტალღური სიმძლავრის დონის ასარჩევად.

## საათი

საათის დასაყენებლად დააჭირეთ ამ ღილაკს 3 წამის განმავლობაში.

## ტაიმერი

გამოიყენეთ ეს ღილაკი ტაიმერის ფუნქციის დასაყენებლად.

## ხატულეები

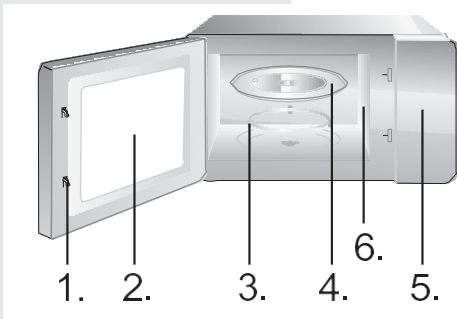
გამოიყენეთ ეს ღილაკები დროისა და საკვების წონის დასაყენებლად და ავტომატური მენიუს პროგრამების ასარჩევად.

## შეჩერება/გაუქმება

გამოიყენეთ ეს ღილაკი პროგრამის შესაჩერებლად ან გასაუქმებლად. დააჭირეთ 3 წამის განმავლობაში ბავშვებისთვის დასაბლოკად

დაწყება/+30 წმ

გამოიყენეთ ეს ღილაკი 30 წამის ხანგრძლივობის სწრაფი მომზადების დასაწყებად, გაზარდეთ საჭმლის მომზადების დრო 30 წამით (ყოველი დაჭერით), ან დაადასტურეთ საჭმლის მომზადების პარამეტრები.



1. კარის უსაფრთხო ჩაკეტვის სისტემა
2. ლუმენის მინა
3. მბრუნავი დისკო
4. მინის ლანგარი
5. □ართვის პანელი
6. ტალღასატარი (გთხოვთ, არ მოხსნათ ქარსის ფირფიტა, რომელიც ფარავს ტალღასატარს)

არსებობს მიკროტალღური სიმძლავრის ათი დონე: 100P, 90P, 80P, 70P, 60P, 50P, 40P, 30P, 20P და 10P, შესაბამისად. საჭმლის მომზადების დროის გასაზრდელად ან შესამცირებლად გადაატრიალეთ ქვემოთ მოცემული მარეგულირებელი სახელური, დროის დიაპაზონი შეიძლება შეირჩეს 0:10-დან 60:00-მდე. დროის არჩევის შემდეგ დააჭირეთ ლილავს „დაწყება/+30 წმ“ მუშაობის დასაწყებად. ზუზუნის ხმა, რათა შეატყობინოს ოპერაციის დასრულების შესახებ.

მაღალი	100% და 90% სიმძლავრის გამომუშავება	(გამოიყენება სწრაფი და სრული მომზადებისთვის)
საშუალოდ მაღალი	80% და 70% სიმძლავრის გამომუშავება	(გამოიყენება საშუალო ექსპრეს მომზადებისთვის)
საშუალო	60% და 50% სიმძლავრის გამომუშავება	(გამოიყენება საკვების ორთქლზე მომზადებისთვის)
საშუალოდ დაბალი	40% და 30% სიმძლავრის გამომუშავება	(გამოიყენება საკვების გალღობისთვის)
დაბალი	20% და 10% სიმძლავრის გამომუშავება	(გამოიყენება თბილად შენახვისთვის)

 **ყურადღება**

- a. მაქსიმალური დრო, რომელიც შეიძლება მიეთითოს, არის 60 წუთი
- b. არასოდეს ამუშაოთ ღუმელი ცარიელი.
- c. მიკროტალღური ღუმელის მაქსიმალურ სიმძლავრეზე ღუმელი ავტომატურად შეამცირებს სიმძლავრეს საჭმლის მომზადების გარკვეული დროის შემდეგ, რათა გაახანგრძლივოს მომსახურების ვადა.
- d. თუ მუშაობის დროს გადააბრუნებთ საკვებს, დააჭირეთ ლილავს **დაწყება/+30 წმ**

ერთხელ და გაგრძელება საჭმლის მომზადების წინასწარ დაყენებული პროცედურა.

e. თუ წინასწარ განსაზღვრულ დრომდე აპირებთ საკვების ამოღებას, თქვენ

წინასწარ დაყენებული პროცედურის გასაუქმებლად ერთხელ უნდა დააჭიროთ ღილაკს **გაჩერება/გაუქმება**, რათა თავიდან აიცილოთ შემდეგი გამოყენების გაუთვალისწინებელი მოქმედება.

გაღობა/დროში

განსაზღვრული

გაღობა

არსებობს გაღობის ორი რეჟიმი, dEF1 და dEF2. dEF1 გაღობისთვის წონის მიხედვით და dEF2 გაღობისთვის დროის მიხედვით. დააჭირეთ ამ ღილაკს, რათა აირჩიოთ გაღობა წონით ან დროით და ეკრანის გამოჩნდება „dEF1“ ან „dEF2“. გადაატრიალეთ მარეგულირებელი სახელური საკვების წონის ან გაღობის დროის ასარჩევად. dEF1-ის წონითი დიაპაზონი არის 100-დან 1500 გ-მდე, ხოლო dEF2-ის მაქსიმალური დრო არის 60:00. გაღობის წონის ან დროის არჩევის შემდეგ დააჭირეთ ღილაკს „დაწყება/+30 წმ“, რათა დაიწყოს მუშაობა. ზუზუნის ხმა, რათა შეატყობინოს ოპერაციის დასრულების შესახებ. წონის მიხედვით გაღობის dEF1 რეჟიმი გამოსცემს ხმოვან სიგნალს, რაც ნიშნავს იმას, რომ გაღობისას საკვები უნდა გადააბრუნოთ.

ქვემოთ მოცემულია რამდენიმე რჩევა საკვების გაღობისთვის:

dEF1	გაღობის წონის დიაპაზონია 100-1500 გრამი.
dEF2	გაღობის მაქსიმალური დრო არის 60:00.

## ყურადღება

- a. ერთგვაროვანი ეფექტის მისაღებად საჭიროა გაღობის დროს საკვების გადაბრუნება.
- b. როგორც წესი, გაღობას უფრო დიდი დრო საჭირდება, ვიდრე საჭმლის მომზადებას.
- c. თუ საკვების დაჭრა დანით არის შესაძლებელი, გაღობის პროცესი დასრულებულად შეიძლება ჩაითვალოს.
- d. მიკროტალღური ღუმელი აღწევს დაახლოებით 4 სმ-ზე ყველაზე საკვებში
- e. გაღობილი საკვები შეძლებისდაგვარად მალე უნდა გამოიყენოთ; არ არის რეკომენდებული მისი მაცივარში დაბრუნება და ხელმეორედ გაყინვა.

---

### საათი (24-საათიანი)

მოლოდინის რეჟიმში საათის პარამეტრების ინტერფეისში შესასვლელად დააჭირეთ ღილაკს „გაღობა/საათი“ 3 წამზე მეტი ხნის განმავლობაში. ამავე დროს, ეკრანი რამდენიმე საათი იციმციმებს. საათის დროის დაყენება შესაძლებელია მარეგულირებელი სახელურის დატრიალებით. საათის დაყენების შემდეგ დააჭირეთ ღილაკს „დაწყება/+30 წმ“, რათა გადაერთოთ წუთების რეჟიმზე.

წუთების დაყენება შესაძლებელია მარეგულირებელი სახელურის დატრიალებით. წუთების დაყენების შემდეგ კვლავ დააჭირეთ ღილაკს „დაწყება/+30 წმ“, რათა გამოხვიდეთ დაყენების რეჟიმიდან.

**ავტომატური მომზადება**

არსებობს ავტომატური მომზადების რვა მენიუ A.1 ~ A.8, კარტოფილისთვის, მაკარონისთვის, პიცისთვის, პოპკორნისთვის, ბოსტნეულისთვის, სასმლისთვის, ხორცისა და თევზისთვის შესაბამისად. სასურველი მენიუს ასარჩევად უწყვეტად დააჭირეთ ღილაკს „მენიუ“, შემდეგ კი გადაატრიალეთ მარეგულირებელი სახელური, რათა აირჩიოთ მენიუს წონა. მომზადების წონის არჩევის შემდეგ დააჭირეთ ღილაკს „დაწყება/+30 წმ“, რათა დაიწყოს მუშაობა. ზუზუნის ხმა, რათა შეატყობინოს ოპერაციის დასრულების შესახებ.

ეკრანი	ტიპი	მეთოდი
A.1	კარტოფილი	სურვილისამებრ, წონაა 250გ, 500გ და 750გ
A.2	მაკარონი	სურვილისამებრ, წონაა 50გ, 100გ და 150გ
A.3	პიცა	სურვილისამებრ, წონაა 200გ და 400გ
A.4	პოპკორნი	სურვილისამებრ, წონაა 100გ
A.5	ბოსტნეული	სურვილისამებრ, წონაა 200გ, 400გ და 600გ
A.6	სასმელი	სურვილისამებრ წონაა 1 ჭიქა, 2 ჭიქა ან 3 ჭიქა, თითოეული დაახლოებით 250 მლ.
A.7	ხორცი	სურვილისამებრ, წონაა 200გ, 400გ და 600გ
A.8	თევზეული	სურვილისამებრ, წონაა 200გ, 400გ და 600გ



## ყურადღება

a. საჭმლის მომზადების წინ ტემპერატურა იქნება 20-25°C. საჭმლის მომზადებამდე საკვების უფრო მაღალი ან დაბალი ტემპერატურა

გამოიწვევს საჭმლის მომზადების დროის გაზრდას ან შემცირებას.

b. საკვების ტემპერატურა, წონა და ფორმა დიდწილად გავლენას მოახდენს მომზადების შედეგზე.

თუ ზემოთ აღნიშნულ მენიუში რაიმე გადახრა აღმოჩნდა, შეგიძლიათ, დაარეგულიროთ მომზადების დრო საუკეთესო შედეგის მისაღწევად.

---

### ტაიმერი

მოლოდინის რეჟიმში, დააჭირეთ ამ ღილაკს პარამეტრის ინტერფეისში შესასვლელად და ეკრანზე გამოჩნდება უკუთვლის ფუნქციის ხატულა და „0:00“. დროის დასაყენებლად გადაატრიალეთ მარეგულირებელი სახელური, მაქსიმალური დროა 60:00. დროის დაყენების შემდეგ ათვლის დასაწყებად დააჭირეთ ღილაკს „დაწყება/+30 წმ“. უკუთვლის დასრულების მანიშნებელი სიგნალი

---

**ხელახლა**

**გაცხელება/ECO**

**ხელახლა**

**გაცხელება**

ხელახლა გაცხელების ფუნქცია ძირითადად გამოიყენება საკვების წონის მიხედვით ხელახლა გასაცხელებლად; გადაატრიალეთ მარეგულირებელი სახელური საკვების შესაბამისი წონის შესარჩევად, სურვილისამებრ, წონები არის 200გ, 400გ, 600გ, 800გ და 1000გ. წონის არჩევის შემდეგ დააჭირეთ ღილაკს „დაწყება/+30 წმ“ მუშაობის დასაწყებად. ზუზუნის ხმა, რათა შეატყობინოს ოპერაციის დასრულების შესახებ.

---

**ECO**

მოლოდინის რეჟიმში დააჭირეთ ხელახლა გაცხელების ღილაკს 3 წამის განმავლობაში, რათა ჩართოთ ECO; ხოლო ეკრანი გამოირთვება. ECO-ს ჩართვისას დააჭირეთ ნებისმიერ ღილაკს ECO ფუნქციის გამოსართავად.

---

## გაჩერება

საჭმლის მომზადების პროცესში პარამეტრების გასაუქმებლად და მოლოდინის რეჟიმში დასაბრუნებლად შეგიძლიათ დააჭიროთ ღილაკს „გაჩერება“. მიკროტალღური ღუმელის მუშაობის პროცესში შეგიძლიათ, დააჭიროთ ღილაკს „გაჩერება“ გასათიშად. მოლოდინის რეჟიმში შეგიძლიათ, კვლავ დააჭიროთ ღილაკს „STOP“ ფუნქციის გასაუქმებლად და მოლოდინის რეჟიმში დასაბრუნებლად.

---

## დაწყება/+30 წმ

საჭმლის მომზადების დროის ან საკვების წონის დაყენების შემდეგ დააჭირეთ ღილაკს „დაწყება/+30 წმ“, რათა დაუყოვნებლივ ჩაირთოს მიკროტალღური ღუმელი. მუშა მდგომარეობაში შეგიძლიათ, დააჭიროთ ღილაკს „დაწყება/+30 წმ“ დროის გასაზრდელად; დააჭირეთ ერთხელ 30 წამის გასაზრდელად, მაგრამ მენიუს და წონის გალღობის რეჟიმში დროს ვერ შეცვლით. გაჩერებულ მდგომარეობაში შეგიძლიათ, დააჭიროთ ღილაკს „START/+30s“, რათა ჩართოთ მიკროტალღური ღუმელი საჭმლის მომზადების რეჟიმამდე.



## ექსპრესი

მოლოდინის რეჟიმში, საკვების მოთავსების და კარის დაკეტვის შემდეგ, დააჭირეთ ღილაკს „დაწყება/+30 წმ“, რათა სწრაფად ჩართოთ მიკროტალღური ღუმელი. ნაგულისხმევი სამუშაო დროა 30 წამი. მუშაობის პროცესში დააჭირეთ ღილაკს „დაწყება/+30 წმ“ ერთხელ 30 წამით. ზუზუნის ხმა, რათა შეატყობინოს ოპერაციის დასრულების შესახებ.

## ბავშვისთვის დაბლოკვის ფუნქცია

გამოიყენეთ ეს ფუნქცია მართვის პანელის ჩასაკეტად, როდესაც თქვენ წმენდთ ან იმისთვის, რომ ბავშვებმა ვერ შეძლონ ღუმლის გამოყენება. ამ რეჟიმში ყველა ღილაკი არამუშა მდგომარეობაში.

1) საკეტის დაყენება: მოლოდინის რეჟიმში დააჭირეთ ღილაკს „გაჩერება“ 3 წამზე მეტი ხნის განმავლობაში, ბავშვებისთვის დაბლოკვის ფუნქცია ჩაირთვება და მიკროტალღური ღუმელის ღილაკების მართვა შეუძლებელი გახდება.

2) საკეტის გაუქმება: ბავშვისთვის დაბლოკვის მდგომარეობაში დააჭირეთ ღილაკს „გაჩერება“ 3 წამზე მეტი ხნის განმავლობაში, რათა გააუქმოთ ბავშვისთვის დაბლოკვის ფუნქცია.

## ჭურჭლის შესახებ მითითებები

მკაცრად რეკომენდებულია მიკროტალღური ღუმელში მომზადებისთვის შესაფერისი და უსაფრთხო კონტეინერების გამოყენება. ზოგადად, კონტეინერები, რომლებიც მზადდება სითბოს მიმართ მდგრადი კერამიკისგან, მინის ან პლასტმასისგან, განკუთვნილია მიკროტალღურ ღუმელში საჭმლის მოსამზადებლად. არასდროს გამოიყენოთ ლითონის კონტეინერები მიკროტალღურ ღუმელში და კომბინირებული მომზადებისთვის, რადგან შესაძლოა ნაპერწკალი გაღვინდეს. შეგიძლიათ მითითებებისთვის გაეცნოთ ქვემოთ მოცემულ ცხრილს.

კონტეინერის მასალა	მიკროტალღური	შენიშვნები
<input type="checkbox"/> სითბოს მიმართ მდგრადი კერამიკა	დიახ	არასოდეს გამოიყენოთ კერამიკა, რომელიც მორთულია ლითონის რგოლით ან მოჭიქულია
სითბოს მიმართ მდგრადი პლასტმასი	დიახ	არ შეიძლება გამოყენებულ იქნას დიდი ხნის განმავლობაში მიკროტალღურის ფუნქციით მომზადებისას
სითბოს მიმართ მდგრადი მინა	დიახ	
გრილის ცხაურა	არა	
პოლიეთილენის პარკი	დიახ	არ უნდა იქნას გამოყენებული ხორცის ან ღვეზელების მომზადებისას, რადგან ზედმეტმა ტემპერატურამ შეიძლება დააზიანოს ის

საჭმლის მომზადების შედეგზე შეიძლება გავლენა იქონიოს შემდეგმა ფაქტორებმა:

### **საჭმლის განაწილება**

მოათავსეთ სქელი ადგილები ლანგრის გარეთ, თხელი ნაწილი ცენტრში თანაბრად განაწილეთ. არ გადაფაროთ, თუ ეს შესაძლებელია.

### **საჭმლის მომზადების დროს ხანგრძლივობა**

დაიწყეთ საჭმლის მომზადება მოკლე დროის პარამეტრით, შეაფასეთ ის დროის გასვლის შემდეგ და გააგრძელეთ ის რეალური საჭიროების შესაბამისად. საჭმლის ზედმეტად მომზადებამ, შესაძლოა, გამოიწვიოს კვამლი და დამწვრობა.

### **საჭმლის თანაბრად მომზადება**

საჭმელი, როგორცაა ქათამი, ჰამბურგერი ან სტეიკი, უნდა გადააბრუნოთ ერთხელ მომზადების დროს. საჭმლის ტიპის მიხედვით, საჭიროებისამებრ, საჭმლის მომზადების დროს ერთხელ ან ორჯერ აურიეთ ის კიდეებიდან ცენტრის მიმართულებით.

### **დგომის დროის დაშვება**

საჭმლის მომზადების დროის გასვლის შემდეგ დატოვეთ საკვები ღუმელში სათანადო დროის განმავლობაში; ამით დასრულდება საჭმლის მომზადების ციკლი და თანდათან გაგრილდება.

### **მომზადებულია თუ არა კერძი**

კერძის ფერთა და სიმკვრივით შესაძლებელია დადგინდეს, მომზადდა თუ არა კერძი:

- ორთქლი გამოდის კერძის ყველა მხრიდან, არა მხოლოდ კიდეებიდან
- ფრინველის სახსრები ადვილად მოძრაობს
- ღორის ან ფრინველის ხორცში არ შეინიშნება სისხლი
- თევზი მუქია და შეიძლება ადვილად დაიჭრას ჩანგლით

## **კერძი ყავისფერი შეფერილობა**

თვითგაცხელებადი კონტეინერის გამოყენებისას, ქვეშ ყოველთვის მოათავსეთ თბომდეგი იზოლატორი, მაგალითად, ფაიფურის დაფა, რათა თავიდან აიცილოთ მბრუნავი დისკოს დაზიანება.

### **მიკროტალღურისთვის პლასტმასის უსაფრთხო შეფუთვა**

ცხიმის მაღალი შემცველობის საკვების მომზადებისას არ დაუშვათ, რომ პლასტიკური შეფუთვა საკვებთან კონტაქტში შევიდეს, რადგან ის შესაძლოა დადნეს

### **მიკროტალღურისთვის უსაფრთხო პლასტმასის ჭურჭელი**

მიკროტალღურისთვის პლასტმასის ზოგიერთი უსაფრთხო ჭურჭელი შეიძლება არ გამოდგეს ცხიმის და შაქრის მაღალი შემცველობის მქონე საკვების მოსამზადებლად. ასევე, კერძის ინსტრუქციის სახელმძღვანელოში მითითებულ წინასწარი გაცხელების დროს არ უნდა გადააჭარბოთ

## **მოვლა**

### **მომსახურება**

მომსახურების მისაღებად დარეკვამდე შეამოწმეთ შემდეგი.

1. მოათავსეთ ერთი ჭიქა წყალი (დაახლ. 150მლ) მინის საზომში და დახურეთ კარი საიმედოდ. ღუმლის ნათურა უნდა გაითიშოს, თუ კარი სათანადოდ დახურულია. აცადეთ ღუმელს მუშაობა 1 წუთით.
2. ინთება ღუმლის ნათურა?
3. მუშაობს გაგრილების ვენტილატორი?  
(ხელი გადაუსვით უკანა სავენტილაციო ლიობებს).
4. ტრიალებს მიკროტალღურის დისკო?

(დისკო შეიძლება ტრიალებდეს საათის ისრის ან საწინააღმდეგო მიმართულებით. ეს ნორმალურია).

### 5. ღუმელში წყალი ცხელია?

თუ ზემოთ ჩამოთვლილ ნებისმიერ კითხვაზე პასუხი არის „არა“, გთხოვთ

შეამოწმეთ შფეტსელი და მცველი მრიცხველის კარადაში.

თუ შტეტსელიც და მცველიც გამართულად მუშაობს, დაუკავშირდით თქვენს უახლოეს სერვის-ცენტრს.

### **დაცვის საშუალებების შესახებ გაფრთხილება:**

მიკროტალღური გამოსხივება

1.  დალი ძაბვის კონდენსატორი რჩება დამუხტული გათიშვის შემდეგაც; დაამოკლეთ უარყოფითი ტერმინალის H. V კონდენსატორი

ღუმლის შასამდე (გამოიყენეთ სახრახნისი), რათა განმუხტოთ, სანამ შეეხებით.

2. მომსახურების დროს ქვემოთ ჩამოთვლილი ნაწილები ექვემდებარება ამოღებას და დამიწებას 250V-მდე.

- მაგნეტრონი
- მაღალი ძაბვის ტრანსფორმატორი
- მაღალი ძაბვის კონდენსატორი
- მაღალი ძაბვის დიოდი
- მაღალი ძაბვის მცველი

3. ქვემოთ ჩამოთვლილმა პირობებმა შეიძლება გამოიწვიოს მიკროტალღური ღუმლის არასათანადო ზემოქმედება მომსახურების დროს.

- მაგნეტრონის არასწორი მორგება;
- კარის საკეტის, კარის ანჯამის და კარის სახელურის არასათანადო დამაგრება;
- ჩამრთველის საყრდენის არასათანადო მორგება;
- კარის, კარის ლუქის ან მიმაგრების კარი დაზიანებულია.

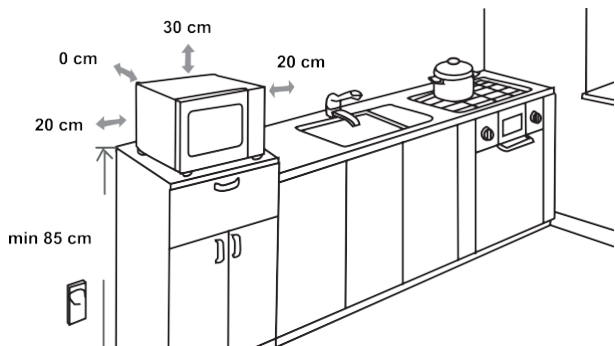
ტექნიკური  
მახასიათებლები

ენერგომოხმარება ..... 220-240V ~50Hz, 1280W  
 გამომავალი სიმძლავრე ..... 800W  
 ოპერაციული სიხშირე ..... 2450 მჰც  
 გარე ზომები ..... 480 x 295 x 352 მმ  
 ღუმლის მოცულობა ..... 23 ლიტრი  
 სუფთა წონა..... დაახლოებით 11.7 კგ  
 ხმაურის დონე ..... L c ≤ 61 დბ (A)



აღნიშნული მოწყობილობის მარკირება შეესაბამება ევროკომისიის დირექტივას 2012/19/EC ელექტრო და ელექტრონული მოწყობილობების ნარჩენების (WEEE) შესახებ. ეს სახელმძღვანელო წარმოადგენს ელექტრო და ელექტრონულ მოწყობილობების ნარჩენების დაბრუნებისა და გადამუშავების ჩარჩო დოკუმენტს.

მონტაჟის  
განზომილებები



მიკროტალღურმა ღუმელმა შეიძლება გამოიწვიოს თქვენი რადიოს, ტელევიზორის ან მსგავსი მოწყობილობის მუშაობისთვის ხელის შეშლა. დაბრკოლება დაფიქსირების შემთხვევაში მისი აღმოფხვრა შესაძლებელია შემდეგნაირად:

- a) გაწმინდეთ კარი და ღუმელის დალუქული ზედაპირი.
- b) მოათავსეთ რადიო, ტელევიზორი და ა.შ. შემღებისდაგვარად შორს თქვენი მიკროტალღური ღუმელისგან.
- c) გამოიყენეთ სწორად დამონტაჟებული ანტენა თქვენი რადიოსთვის, ტელევიზორისთვის და ა.შ. ძლიერი სიგნალის მისაღებად.

ჩვენ ვიტოვებთ უფლებას, შევიტანოთ ნებისმიერი ცვლილება, რომელიც გავლენას არ ახდენს მოწყობილობის ფუნქციონირებაზე.

## Қ Ұ РМЕТТИ ТҰ ТЫНУШЫ

Сатып алғаныңыз үшін шын жүректен алғыс айтамыз. Жақында сіз біздің өнімдерге шынымен сенуге болатын көптеген дәлелдерді табасыз деп сенеміз. Құрылғыны пайдалануды жеңілдету үшін біз осы толық нұсқаулықты қоса береміз. Нұсқаулар сізге жаңа құрылғымен танысуға көмектесуі керек. Құрылғыны бірінші рет қолданар алдында оларды мұқият оқығыңыз.

Қалай болғанда да, құрылғының зақымдалмағанына көз жеткізіңіз. Егер зақымдануды анық тап, тасымалдасаңыз, сату өкіліне немесе өнім жеткізілген аймақтық қоймаға хабарласыңыз. Сіз телефон нөмірін түбіртек немесе жеткізу туралы есепте табасыз. Сізге жаңа тұрмыстық құрылғыны жақсы пайдалануды тілейміз.



Электромагниттік энергияны пайдаланып тамақ пен сусындарды жылытуға арналған тұрмыстық құрылғы, тек үйіңізде пайдалануға арналған.

## ПАЙДАЛАНУ НҰСҚАУЛАРЫ

Бұл нұсқаулар пайдаланушыға арналған. Олар пешті және оны қалай пайдалану керектігін сипаттайды. Олар сондай-ақ құрылғылардың әртүрлі түрлеріне де қолданылады, сондықтан сіз құрылғыңызға сәйкес келмейтін функциялардың кейбір сипаттамаларын таба аласыз.

Пайдалану нұсқауларындағы кез келген өзгерістер мен қателерге құқығымыз бар.



Қ ұ рылғ ынын жылыту немесе аспаздық беттерін ешқ ашан



ұ стамаң ыз. Олар жұ мыс кезінде қ ызады. Балаларды қ ауіпсіз

қ ашық тық та ұ стаң ыз.

Жану қ аупі бар!



Микротолқ ынды пеш энергиясы жә не жоғ ары кернеу! Қ ақ пақ ты шешпең із.

**ЕСКЕРТУ!** Қ ұ рылғ ы мен оның қ ол жететін бө ліктері пайдалану кезінде қ ызып кетеді. Қ ыздыру элементтеріне тиіп кетпеу ү шін абай болу керек. 8 жасқ а толмағ ан балалар ү немі ересектің бақ ылауында болу керек. Балалардың қ ұ рылғ ымен ойнамауын қ адағ алау керек.

Аспапты тек егер олар бақ ылауда болса немесе аспапты қ ауіпсіз қ олдану бойынша нұ сқ аулық тарды алғ ан жә не аспапты пайдалануғ а байланысты қ ауіпті тү сінетін 8 жастан асқ ан балалар жә не физикалық , сенсорлық жә не ақ ыл-ой қ абілеттері шектеулі адамдар қ олдана алады. Балаларғ а аспаппен ойнауғ а жол бермең із. Балалар аспапты тек қ адағ алаумен тазарта алады жә не қ ызмет кө рсете алады.

**ЕСКЕРТУ:** Қ ұ рылғ ы аралас режимде жұ мыс істегенде, балалар пешті тек ересектердің қ адағ алауымен пайдалануы керек; (Тек гриль функциясы бар ү лгі ү шін)

**ЕСКЕРТУ!** Есік немесе нығ ыздағ ыш бү лінген болса, пешті қ олдануғ а тыйым салынады. Жә ндеу ү шін авторлық қ ұ қ ығ ы бар сервис орталығ ына хабарласың ыз.

**ЕСКЕРТУ:** Аспапты есігін ашып пайдаланбаң ыз, ө йткені бұ л шектен тыс АЖЖ-сә улеленудің ә сер етуіне алып келуі мү мкін. Есіктің қ орғ айтын сырмаларының бү лінуіне жол бермең із жә не конструкциясына ө згерістерді енгізбең із.

**ЕСКЕРТУ:** Тағ амдарды тығ ыз жабылғ ан ыдыстарда қ ыздырмаң ыз, ө йткені олар жарылуы мү мкін.

- Балалардың қ ұ рылғ ымен ойнамауын қ адағ алау керек.
- Тұ мшапештің аяқ тарын алмаң ыз, пештің ауа шығ уын бө гемең із. Микротолқ ынды пештерде қ олдануғ а жарамды ыдыстарды ғ ана пайдаланың ыз.
- Тағ амды пластик немесе қ ағ аз ыдыстарда қ ыздырғ ан кезде тұ тану мү мкіндігіне байланысты пешті қ адағ алаң ыз;
- Егер тұ тін байқ алса, кез келген жалынды сө ндіру ү шін қ ұ рылғ ыны ө шірің із немесе розеткадан ажыратың ыз жә не есігін жабық ұ стаң ыз;

- Пешті сымдарын балалар олы жетпейтін жерде стау керек.
- Сусындарды микротолқынды пеште қыздыру қайнауға әкелуі мүмкін, сондықтан контейнерді ұстаған кезде абай болу керек;
- Бөлшектер мен балалар тағамына арналған банкалардың ішіндегісін күйіп қалмас үшін ішер алдында араластыру немесе шайқау және температурасын тексеру керек;
- Қабығы бар жұмыртқаны және тұтастай пісірілген жұмыртқаны қысқа толқынды пеште дайындамаңыз және жылытпаңыз, өйткені ол бағдарлама аяқталған соң да жарылуы мүмкін.
- Есік әйнегін тазалау үшін абразивтік тазалау құралдарын немесе өткір металл қырғаштарды қолданбаңыз, өйткені олар беттерге сызат түсіруі және әйнектің сынуына себеп болуы мүмкін.
- Қысқа толқынды пешті жүйелі түрде тазалап тұрыңыз. Камера қабырғаларына жабысып қалған тағам қалдықтарын тазалаңыз.
- Егер аспапты таза күйді ұстамаса, оның беті бүлінеді, бұл аспаптың қызмет ету мерзімінің қысқаруына алып келеді, сонымен қатар қауіпті жағдайдың туындауына себеп болуы мүмкін.
- Сымның үстелдің немесе жұмыс үстелінің шетінен салбырап тұруына жол бермеңіз.
- Қауіпті жағдайды болдырмау үшін бұл құрылғыны ешқашан сыртқы таймер қосқышына немесе қашықтан басқару жүйесіне қоспаңыз.
- Пештің ішіндегі шамды ешқашан ауыстырмаңыз. Оны әрқашан Hisense қызметі ауыстыруы керек.
- Құрылғыны бұ тазалағыштармен, жоғары қысымды тазалағыштармен, өткір заттармен, абразивті тазартқыштармен, абразивті жөкемен және дақ кетіргіштермен тазаламаңыз.

Төменде барлық қауіп-қатерлер сияқты, осы пештің жоғары ары өнімділігін қамтамасыз ету үшін белгілі ережелерді сақтау керек және қауіпсіздік шаралары берілген:

1. Пешті пайдаланған кезде әрқашан шыны науаны, роликті тіректерді, муфтаны және ролик жолын орнында ұстаңыз.
2. Пешті тағам дайындаудан басқа кез келген себептермен, мысалы, киімдерді, қағазды немесе басқа тағамдық емес заттарды кептіру үшін немесе зарарсыздандыру мақсатында пайдаланбаңыз.
3. Пешті бос кезде пайдаланбаңыз. Бұл пешті зақымдауы мүмкін.
4. Пештің қауысын қағаз, аспаздық кітаптар, т.б. сақтаудың кез келген түрі үшін пайдаланбаңыз.
5. Жұмыртқаның сарысы, картоп, тауық бауыры, т.б. сияқты қабықпен қапталған тағамды алдымен шанышқымен бірнеше рет тесіп алмай пісірмеңіз.
6. Сыртқы корпусқағы саңылауларға ешбір затты салмаңыз.
7. Тұтқалардан, муфталар, бұрандалар, т.б. сияқты бөлшектерді ешқашан алмаңыз.
8. Тамақты тікелей шыны науаға пісірмеңіз. Пешке салмас бұрын тағамды дұрыс пісіруге арналған ыдысқа (оның үстіне) салыңыз.

**МАҚАҢАҒА - МИКРОТОЛҚЫНДЫ ПЕШТЕ ПАЙДАЛАНБАУА БӨЛМЕЙТІН ҰДЫС**

–Металл табаларды немесе металл тұтқасы бар ыдыстарды қолданбаңыз.

–Металл жиегі бар ештеңені қолданбаңыз.

–Полиэтилен пакеттерде қағазбен жабылған сымдарды пайдаланбаңыз.

–Меламинді ыдыстарды пайдаланбаңыз, өйткені олардың қауіп-қатерінде микротолқын энергиясын сіңіретін материал бар. Бұл ыдыс-аяқтың жарылуы немесе қауіп-қатерін тудыруы мүмкін және пісіру жылдамдығын бәсеңдетеді.

–Centura Tableware ыдыс-аяқтың тарыны қолданбаңыз.

Глазурь микротолқынды пеште қолдануға жараммайды. Corelle Livingware жабық тұтқасы шыныаяқтың қолдануға болмайды.

–Қалың қымалы бөтелке немесе тығыздалған май бөтелкесі сияқты саңылаулары шектеулі ыдыста пісірмеңіз, себебі оларды микротолқынды пеште қауіп-қатерін жарылуы мүмкін.

–Қағаз қапталған ет немесе кондитер термометрлерін қолданбаңыз.

– Микротолқынды пеште пісіруге арналған арнайы термометрлер бар. Бұларды қолдануы мүмкін.

9. Микротолқынды пешке арналған ыдыстарды тек өндірушінің нұсқауларына сәйкес пайдалану керек.
10. Бұл пеште тағамдық ұруға әрекеттенбеңіз.
11. Микротолқынды пеш ыдыстың өзі емес, тек ыдыстағы сұйықтықты қыздыратынын есте сақтаңыз.  
Сондықтан, ыдыстың қақпағы болмаса да пештен шығарған кезде қол тигізгенге дейін ыстық болса, әдеттегі пісірудегідей қақпақты алған кезде ішіндегі тағам/сұйықтық бірдей мөлшерде бұшығаратынын есте сақтаңыз есте сақтаңыз.
12. Әсіресе нәрестелерге арналған тағамды/сұйықтық қыздырып немесе пісіріп жатсаңыз, пісірілген тағамның температурасын әрқашан өзіңіз тексеріңіз. Ешқашан тағамды/сұйықтық пештен тікелей тұтынбаған және, бірақ жылуды біркелкі тарату үшін оны бірнеше минутқа қойып, тағамды/сұйықтық араластырыңыз.
13. Құрамында май мен су қапасы бар тағам, мысалы, сорпа, оны өшіргеннен кейін пеште 30-60 секунд тұруы керек. Бұл тағамға/сұйықтыққа қақасық салынған да немесе текше текше қосылған да, қақпаның тұнбасын қақтамасыз ету және көпіршіктердің пайда болуын болдырмау үшін қақажет.
14. Тамақты/сұйықтықты дайындаған кезде/пісірген кезде және белгілі бір тағамдардың бар екенін есте сақтаңыз, мысалы. Рождестволық пудингі, джем және майдаланған ет, олар өте тез қақазады. Майы немесе қақант мөлшері жоғары тағамдарды жылыту немесе пісіру кезінде пластик ыдыстарды пайдаланбаңыз.
15. Пісіруге арналған ыдыс қақызып кетуі мүмкін, себебі қақыздырылған тағамнан жылу беріледі. Бұл, әсіресе, пластикалық орама ыдыстың үстіңгі жағы мен тұтқаларын жауып тұрған болса дұрыс. Ыдыстарды ұстау үшін ыдыс ұстағыштар қақажет болуы мүмкін.
16. Пеш қақуысындағы өрт қақаупін азайту үшін:
  - а) Тамақты артық пісірмеңіз. Пісіруді жеңілдету үшін пештің ішіне қақаз, пластмасса немесе басқа жаңғаш материалдар қақойылса, микротолқынды пешке мұқақият болыңыз.
  - б) Пешке қақапталған тағамдық оймас бұрын қақаптардағы сымның бұралуларын алыңыз.
  - с) Пештің ішіндегі материалдар тұтанатын болса, пештің есігін жабық ұстаңыз, қақабырғадағы қақосқа ұштан пешті өшіріңіз немесе қақтандырыш немесе автоматты ажыратқыш панеліндегі қақуатты өшіріңіз.

**ДИСПЛЕЙ**

Сағ атты, пісіру уақ ытын жә не параметрді кө рсетеді.

**ЖІБІТУ**

Бұ л пернені тағ амды уақ ыт пен салмақ бойынша жібіту ү шін пайдаланың ыз MICROW.

Микротолқ ынды пештің қ уат дең гейін таң дау ү шін осы пернені пайдаланың ыз. Сағ АТ

Сағ атты орнату ү шін осы пернені 3 секунд басып тұ рың ыз.

**Гриль**

Гриль қ уат дең гейін таң дау ү шін осы пернені пайдаланың ыз

**БЕЛГІЛЕР (ICONS)**

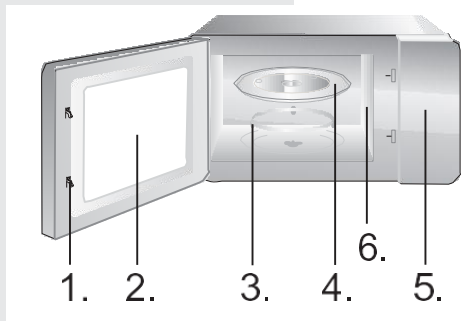
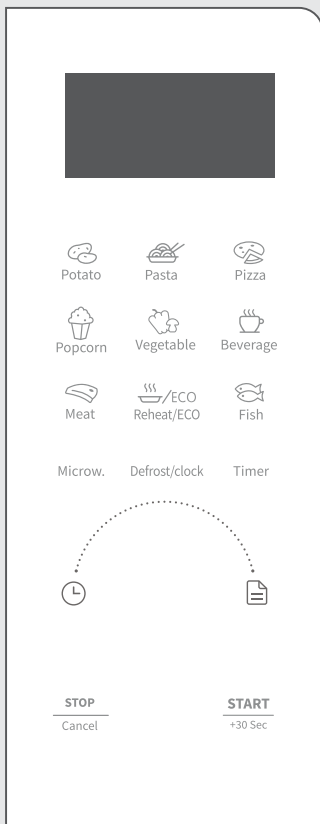
Уақ ыт пен тағ ам салмағ ын орнату жә не автоматты мә зір бағ дарламаларын таң дау ү шін осы пернелерді пайдаланың ыз.

**ТОҚ ТАТУ/БОЛДЫРМАУ**

Параметрді тоқ тату немесе болдырмау ү шін осы пернені пайдаланың ыз. Балалардан қ орғ ау ү шін 3 секунд ү стап тұ рың ыз

**БАСТАУ/+30 сек**

Бұ л пернені 30 секундтан жылдам бастау ү шін пісіру, пісіру уақ ытын 30 секундқа арттыру (ә р басу арқ ылы) немесе пісіру параметрлерін растау ү шін пайдаланың ыз.



1. Есіктің қ ауіпсіздік қ ү лпы жү йесі
2. Пеш терезесі
3. Роликті сақ ина
4. Шыны науа
5. Басқ ару тақ тасы
6. Толқ ын бағ ыттағ ышы (толқ ын бағ ыттағ ышын жауып тұ рғ ан слюда тақ тасын алмаң ыз)

## МИКРОТОЛҚ ҮНДІ ПЕШ РЕЖИМІ

Микротолқ үнды пештің он қ уат деңгейі бар, 100P, 90P, 80P, 70P, 60P, 50P, 40P, 30P, 20P және тиісінше 10P. Пісіру уақытын көбейту немесе азайту үшін төмендегі тұтқаны бұраңыз, уақыт диапазонын 0:10-дан 60:00-ге дейін таңдауға болады. Уақытты таңдағаннан кейін жұмысты бастау үшін «Старт/+30с» тұтқынсын басыңыз. Операцияның аяқталғанын хабарлау үшін ызылдаған дыбыс беріледі.

HIGH	100% және 90% қ уат шығысы	(Тез және мұқият пісіру үшін қолданылады)
M.High	80% және 70% қ уат шығысы	(Орташа жылдам пісіруге жарамды)
Med	60% және 50% қ уат шығысы	(Тағамды бұмен пісіру үшін қолданылады)
M.Low	40% және 30% қ уат шығысы	(Тағамды жібіту үшін қолданылады)
LOW	20% және 10% қ уат шығысы	(Жылы ұстау үшін қолданылады)



### САҚ БОЛЫҢЫЗ

- Орнатуға болатын максималды уақыт - 60 минут
- Пешті ешқашан бос кезінде пайдаланбаңыз.
- Микротолқ үнды пештің максималды қуаты кезінде пеш қызмет ету мерзімін ұзарту үшін белгілі бір пісіру уақытынан кейін қуатты автоматты түрде төмендетеді.
- Жұмыс кезінде тағамды бұрсаңыз, **START/+30с** тұтқынсын басыңыз бір рет басыңыз, сонда алдын ала орнатылған пісіру процедурасы жалғасады.
- Егер сіз тағамды белгіленген уақыттан бұрын алып тастағыңыз келсе, сіз келесі пайдаланудың күтпеген әрекетін болдырмау үшін алдын ала орнатылған процедураны өшіру үшін **STOP/ CANCEL** (ТОҚ ТАТУ/БОЛДЫРМАУ) тұтқынсын бір рет басу керек.

---

**ЖІБІТУ/САҒ А  
ТТЫ ЖІБІТУ**

Екі жібіту режимі бар, сә йкесінше dEF1 жә не dEF2. Салмақ бойынша жібіту ү шін dEF1 жә не уақ ыт бойынша жібіту ү шін dEF2. Салмақ немесе уақ ыт бойынша жібіту таң дау ү шін осы тү ймені басың ыз, дисплей экранында «dEF1» немесе «dEF2» кө рсетіледі. Тағ амның салмағ ын немесе жібіту уақ ытын таң дау ү шін тұ тқ аны бұ раң ыз. dEF1 салмақ диапазоны 100-ден 1500г дейін, ал dEF2 максималды уақ ыты 60:00. Жібіту салмағ ын немесе уақ ытын таң дағ аннан кейін жұ мыс істей бастау ү шін «СТАРТ/+30с» тү ймесін басың ыз. Операцияның аяқ талғ анын хабарлау ү шін ызылдағ ан дыбыс естіледі. Салмағ ы бойынша dEF1 жібіту режимінде жібіту кезінде тағ амды тө ң керу ү шін дыбыстық ү н шығ ады.

Тө менде тағ амды жібітуге қ атысты кейбір кең естер берілген:

dEF1	Жібіту ү шін салмақ 100-ден 1500г-ғ а дейін болады.
dEF2	Жібіту ү шін максималды уақ ыт - 60:00.



## САҚ БОЛЫҢ ЫЗ

- a. Біркелкі әсер алу үшін жұмыс кезінде тағамды төңкеру қажет.
- b. Әдетте жібіту тағамды пісіруден ұзақ ырақ уақытты қажет етеді.
- c. Егер тағамды пышақпен кесуге болса, жібіту процесі аяқталды деп санауға болады.
- d. Микротолқынды пеш тағамның көпшілігіне шамамен 4 см енеді.
- e. Жібітілген тағамды мүмкіндігінше тезірек тұтыну керек, оны қайтадан тоңазытқышқа салып, қайтадан мұздатуы ұсынылмайды.

---

### САҒ АТ (24- сағат)

Күту режимінде сағатты орнату интерфейсіне кіру үшін «ЖІБІТУ/САҒ АТ» түймесін 3 секундтан астам басып тұрыңыз. Сонымен бірге дисплей экраны бірнеше сағатта жыпылықтайды. Сағаттық уақытты тұтыны бұру арқылы орнатуға болады. Сағатты орнатқаннан кейін орнату минуттық режиміне ауысу үшін «СТАРТ/+30с» түймесін аз уақыт басыңыз.

Тетікті бұра арқылы минуттарды орнатуға болады. Минуттарды орнатқаннан кейін орнату режимінен шығу үшін «СТАРТ/+30с» түймесін қайта басыңыз.



## Автомәзір

Сә йкесінше А.1~А.8, Картоп, Макарон, Пицца, Попкорн, Кө кө ніс, Сусын, Ет және Балық сияқты сегіз автоматты мә зір бар. Қажетті мә зірді таңдау үшін «Мә зір» тү ймесін үздіксіз басыңыз, содан кейін мә зірдің салмағын таңдау үшін тұтқанын бұраңыз. Пісіру салмағын таңдағаннан кейін жұмысты бастау үшін «СТАРТ/+30с» тү ймесін басыңыз. Операцияның аяқталғанын хабарлау үшін ызылдаған дыбыс естіледі.

<b>Дисплей</b>	<b>Түрі</b>	<b>Әдіс</b>
<b>А.1</b>	<b>Ақтүйнек</b>	Оңтайлы салмақ 250г, 500г және 750г
<b>А.2</b>	<b>Макарон</b>	Оңтайлы салмақ 50г, 100г және 150г
<b>А.3</b>	<b>Пицца</b>	Оңтайлы салмақ 200 г және 400 г
<b>А.4</b>	<b>Попкорн</b>	Оңтайлы салмақ 100 г
<b>А.5</b>	<b>Көкөніс</b>	Оңтайлы салмақ 200г, 400г және 600г
<b>А.6</b>	<b>Сусын</b>	Оңтайлы салмақ 1 кесе, 2 шыныаяқ немесе 3 кесе, әрқайсысы шамамен 250 мл.
<b>А.7</b>	<b>Ет</b>	Оңтайлы салмақ 200г, 400г және 600г
<b>А.8</b>	<b>Балық</b>	Оңтайлы салмақ 200г, 400г және 600г

## **САҚ БОЛЫҢ ЫЗ**

а. Пісірер алдында тағамның температурасы 20-25°C болады. Пісіру алдында тағамның жоғары немесе төмен температурасы пісіру уақытын ұлғайту немесе азайтуды талап етеді.

б. Тағамның температурасы, салмағы және пішіні пісіру әсеріне айтарлықтай әсер етеді. Жоғарыдағы мәзірде көрсетілген фактордан қандай да бір ауытқу анықталса, ең жақсы нәтиже алу үшін әзірлеу уақытын реттеуге болады.

Күту режимінде орнату интерфейсіне кіру үшін осы түймені басыңыз, сонда дисплейде кері санақ функциясы белгішесі және «0:00» көрсетіледі.

Уақытты орнату үшін тұтқыны бұраңыз енгізуге болатын максималды уақыт - 60:00.

Кейін уақытты орнату үшін «СТАРТ/+30с» түймесін басыңыз кері санауды бастайды. Кері санаудың аяқталғанын хабарлау үшін ызылдаған дыбыс беріледі.

---

### **Таймер**

Гриль режимінде пештің барлық бөліктері, сәре мен пісіру ыдыстары қатты қызып кетуі мүмкін. Пештен кез келген затты алған кезде абай болыңыз. Күйіп қалудың АЛДЫН АЛУ үшін ауыр ыдыс ұстағыштарды немесе пеш қолғаптарын пайдаланыңыз.

Қайта қыздыру функциясы негізінен пайдаланушыларға ағамның салмағына қарай тағамды жылытуды жеңілдету, тағамның сәйкес салмағын таңдау үшін тұтқаны бұраңыз, қосымша салмақтар 200г, 400г, 600г, 800г және 1000г болып табылады. Салмақты таңдағаннан кейін жұмысты бастау үшін «START/+30s» тұймесін басыңыз. Операцияның аяқталғанын хабарлау үшін ызылдаған дыбыс беріледі.

Күту режимінде ECO қосу үшін қайта қыздыру тұймесін 3 секунд басып тұрыңыз, сонда дисплей өшеді. ECO функциясын қосқан кезде ECO функциясын өшіру үшін кез келген тұймені басыңыз.

---

**STOP**  
**«ТОҚ ТАТУ**  
**»**

Пісіру параметрлері процесінде параметрлерден бас тарту жә не кү ту режиміне оралу ү шін STOP «ТОҚ ТАТУ» тү ймесін басуға болады. Микротолқ ынды пештің жұ мыс істеу процесінде кідірту ү шін STOP «ТОҚ ТАТУ» тү ймесін басуға болады. Кү ту режимінде функциядан бас тарту жә не кү ту режиміне оралу ү шін STOP «ТОҚ ТАТУ» тү ймесін қ айта басуға болады.

---

**СТАРТ/+30с**

Пісіру уақытын немесе тағ амның салмағын орнатқаннан кейін микротолқ ынды пешті дереу іске қ осу ү шін «СТАРТ/+30с» тү ймесін басыңыз. Жұ мыс кү йінде уақытты ұ лғ айту ү шін «СТАРТ/+30с» тү ймесін басуға болады, 30 секунд арттыру ү шін бір рет басыңыз, бірақ мә зір режимі мен салмақты жібіту режимі уақытты реттей алмайды. Кідірту кү йінде, пісіру режиміне дейін микротолқ ынды пешті жалғ астыру ү шін «СТАРТ/+30с» тү ймесін басуға болады.

## ЭКСПРЕСС

Кү ту режимінде тағам салынып, есік жабылғаннан кейін микротолқынды пешті жылдам іске қосу үшін «СТАРТ/+30с» түймесін басыңыз. Әдепкі жұмыс уақыты

30 секунд. Жұмыс барысында «СТАРТ/+30с» түймесін 30 секунд бойы бір рет басыңыз. Операцияның аяқталғанын хабарлау үшін ызылдағандыбыс беріледі.

## БАЛАЛАРДАН ҚҰЛЫПТАУ ФУНКЦИЯСЫ

Бұл мүмкіндікті тазалау кезінде басқару тақтасын құлыптау үшін немесе балалар пешті бақылаусыз пайдалана алмайтындай етіп пайдаланыңыз. Бұл режимде барлық түймелер жұмыс істемейді.

- 1) құлыпты орнату: Кү ту режимінде «ТОҚ ТАТУ» түймесін 3 секундтан артық басып тұрыңыз, балалардан қорғау функциясы құлыпталған және микротолқынды пештің барлық түймелерін басқару мүмкін емес.
- 2) құлыптан бас тарту: балалардан қорғау функциясынан бас тарту үшін балалардан қорғау күйінде «ТОҚ ТАТУ» түймесін 3 секундтан артық басыңыз.

Микротолқынды пеште пісіруге жарамды және қауіпсіз ыдыстарды пайдалануға атаң ұсынылады. Жалпы айтқанда, ыстыққа төзімді керамикадан, шыныдан немесе пластиктен жасалған ыдыстар микротолқынды пеште пісіруге жарамды. Металл ыдыстарды ешқашан микротолқынды пеште және аралас пісіру үшін пайдаланбаңыз, себебі ұшықын пайдалануы мүмкін. Төмендегі кестенің сілтемесін алуға болады.

Контейнердің материалы	Микротолқындар	Ескертулері
Ыстыққа төзімді керамика	Иә	Ешқашан металл жиекпен безендірілген немесе жылтыратылған керамиканы пайдаланбаңыз
Ыстыққа төзімді пластик	Иә	Микротолқынды пеште ұзақ уақыт пісіру үшін қолдануға болмайды
Ыстыққа төзімді шыны	Иә	
Гриль сәресі	Жоқ	
Пластикалық пленка	Иә	Оны ет немесе котлеттерді пісіру кезінде қолданбау керек, себебі шамадан тыс температура пленкаға зақым келтіруі мүмкін.

Пісіру нәтижесіне келесі факторлар әсер етуі мүмкін:

**Тамақ тандыруды ұйымдастыру**

Қалың жерлерді ыдыстың сыртына қарай, жіңішке бөлігін ортасына қарай қойып, біркелкі жайыңыз. Мүмкіндігінше қабаттаспаңыз.

**Пісіру уақытының ұзақтығы**

Аз уақыт параметрімен пісіруді бастаңыз, уақыт біткеннен кейін оны бағалаңыз және оны нақты қажеттілікке қарай ұзартыңыз. Шамадан тыс пісіру түтінге және күйдікке әкелуі мүмкін.

**Тамақты біркелкі пісіру**

Тауық, гамбургер немесе стейк сияқты тағамдарды пісіру кезінде бір рет айналдыру керек.

Тағам түбіне қарай, егер мүмкін болса, пісіру кезінде оны сыртынан ыдыстың ортасына қарай бір немесе екі рет араластырыңыз.

**Түп уақытына түп қат етіңіз**

Пісіру уақыты біткеннен кейін, тағамды пеште жеткілікті уақытқа қалдырыңыз, бұл оның әзірлеу циклін аяқтауға және оны біртіндеп салқындатуға мүмкіндік береді.

**Тамақ пісті ме?**

Тағамның түбі мен қаттылығы оның жасалғанын анықтауға көмектеседі, оларға мыналар жатады:

- Тағамның шетінен ғана емес, барлық бөліктерінен бу шығады
- Құстардың буындары оңай қозғалады
- Шошқа немесе құс етінде қатан белгілері байқалмайды
- Балық мөлдір емес, оны шанышқымен оңай кесуге болады

## **Тағамның үстін қызарту**

Қызарту үшін табағын немесе өзіңізді қыздыратын контейнерді пайдаланған кезде, бұрылмалы табақпен айналмалы сақинаға зақым келтірмеу үшін әрқашан оның астына фарфор табақ сияқты ыстыққа төзімді оқшаулағышты қойыңыз.

## **Микротолқынды пешке қайыспіз пластик қаптама**

Құрамында майы жоғары тағамды пісірген кезде пластик ораманың тағамға тиюіне жол бермеңіз, себебі ол еріп кетуі мүмкін.

## **Микротолқынды пешке қайыспіз пластикалық ыдыс**

Кейбір микротолқынды пешке қайыспіз пластмассадан жасалған ыдыстар, май мен қант мөлшері жоғары тағамдарды пісіруге жарамсыз болуы мүмкін. Сондай-ақ, ыдысты пайдалану жөніндегі нұсқаулықта көрсетілген алдын ала қыздыру уақытынан аспау керек.

## **ҚЫЗМЕТ КӨРСЕТУ**

### **ҚЫЗМЕТ КӨРСЕТУ**

Қызметтерге қоңырау шалмас бұрын төмендегілерді тексеріңіз.

1. Бір кесе суды (шамамен 150 мл) салыңыз пешке шыны өлшеп, есікті мықтап жабыңыз. Есік дұрыс жабылса, пеш шамы сәнуі керек. Пеш 1 минут жұмыс істей берсін.
2. Пеш шамы жанып тұрма?
3. Салқындату желдеткіші жұмыс істей ме? (қолыңызды артқы желдеткіш сақиналардың үстіне қойыңыз.)
4. Айналмалы табақ айналады ма?  
(Айналмалы табақ сағат тілімен немесе сағат тіліне қарсы бұрыла алады. Бұл қалыпты жағдай.)
5. Пештің ішіндегі су ыстық па?

Жоғарыдағы сұрақтардың кез келгеніне «ЖОҚ» жауап болса, розетка мен есептегіш қабырғасындағы сақтандырышты тексеріңіз. Қабырғасы розетка да, сақтандырыш те дұрыс жұмыс істеп тұрса, МАҢЫЗДАЛҒАН ЖАҚЫНДАҒЫ ҚЫЗМЕТ КӨРСЕТУ ОРТАЛЫҒЫНА ХАБАРЛАСЫҢЫЗ.



## **Қ ҢЗМЕТ КӨ РСЕТУДІҢ Қ АУІПСІЗДІК ШАРАЛАРЫ**

### **Абайлаң ыз: МИКРОТОЛҚ ЫНДЫ РАДИАЦИЯ**

1. Жоғ ары вольтты конденсатор ажыратылғ аннан кейін зарядталады; Н. V конденсаторының теріс терминалын қ ысқ арту пештің шассиін (бұ рауышты пайдаланың ыз) ұ стамас бұ рын босату ү шін.
2. Келесі бө ліктерге техникалық қ ызмет кө рсету, қ ол жеткізу немесе алып тастау кезінде 250 В жоғ ары жерге тұ йық тау арқ ылы жасалуы қ ажет.
  - Магнетрон
  - Жоғ ары вольтты трансформатор
  - Жоғ ары вольтты конденсатор
  - Жоғ ары кернеулі диод
  - Жоғ ары вольтты сақ тандырғ ыш
3. Келесі жағ дайлар қ ызмет кө рсету кезінде микротолқ ынның шамадан тыс ә сер етуіне себеп болуы мү мкін.

- магнетронның дұрыс орнатылмауы;
- есіктің блокировкасы, есік топсасы мен есіктің дұрыс сәйкес келмеуі;
- Коммутатор тірегінің дұрыс орнатылмауы;
- Есік, есік тығыздағыш немесе қоршау зақымдалған.

ЕРЕКШЕЛІКТЕР

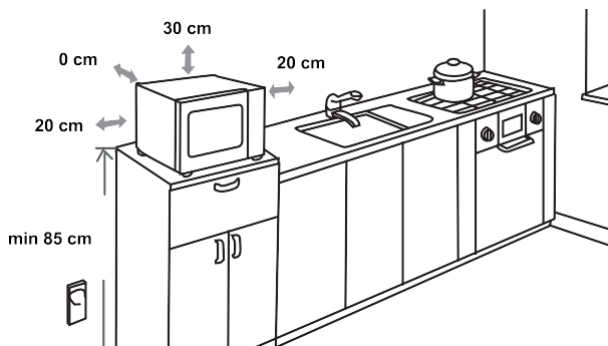
Қуатты тұтыну..... 220-240В ~50Гц, 1280Вт  
 Шығу қуаты .....800 Вт  
 Жұмыс жиілігі .....2450 МГц  
 Сыртқы өлшемдері .....480 x 295 x 352 мм  
 Пештің сыйымдылығы .....23 литр  
 Қорапталмаған салмақ .....Шамамен. 11.7 кг  
 Шу деңгейі .....Lc ≤ 61 дБ (A)



**Бұл құрылғы 2012/19/EU еуропалық директиваға электрлік және электрондық жабдықтардың қалдықтары (WEEE) сәйкес белгіленген.**

**Бұл нұсқаулық қалдық электр және электрондық жабдықты қайтару және қайта өңдеудің жалпы еуропалық жарамдылығының шеңбері болып табылады.**

ОРНАТУ  
 ӨЛШЕМДЕР  
 I



## РАДИО КЕДЕРГІЛЕР

Микротолқынды пеш радиоға, теледидарға немесе ұқсас жабдыққа кедергі келтіруі мүмкін. Кедергі туындаған кезде оны келесі процедуралар арқылы жоюға немесе азайтуға болады.

- a) Пештің есігін жә не тығ ыздағ ыш бетін тазалаң ыз.
- b) Радионы, теледидарды, т.б. мү мкіндігінше микротолқ ынды пештен алысырақ орналастырың ыз.
- c) Кү шті сигнал қ абылдау ү шін радио, теледидар, т.б. ү шін дұ рыс орнатылғ ан антеннаны пайдаланың ыз..

БІЗ ҚҰРЫЛҒЫНЫҢ ФУНКЦИЯЛЫҒЫНА ӘСЕР ЕТПЕЙТІН КЕЗ КЕЛГЕН ӨЗГЕРІСТЕР ЕНГІЗУ ҚҰҚЫҒЫМЫЗДЫ САҚТАП ҚАЛАМЫЗ.

# Hisense

